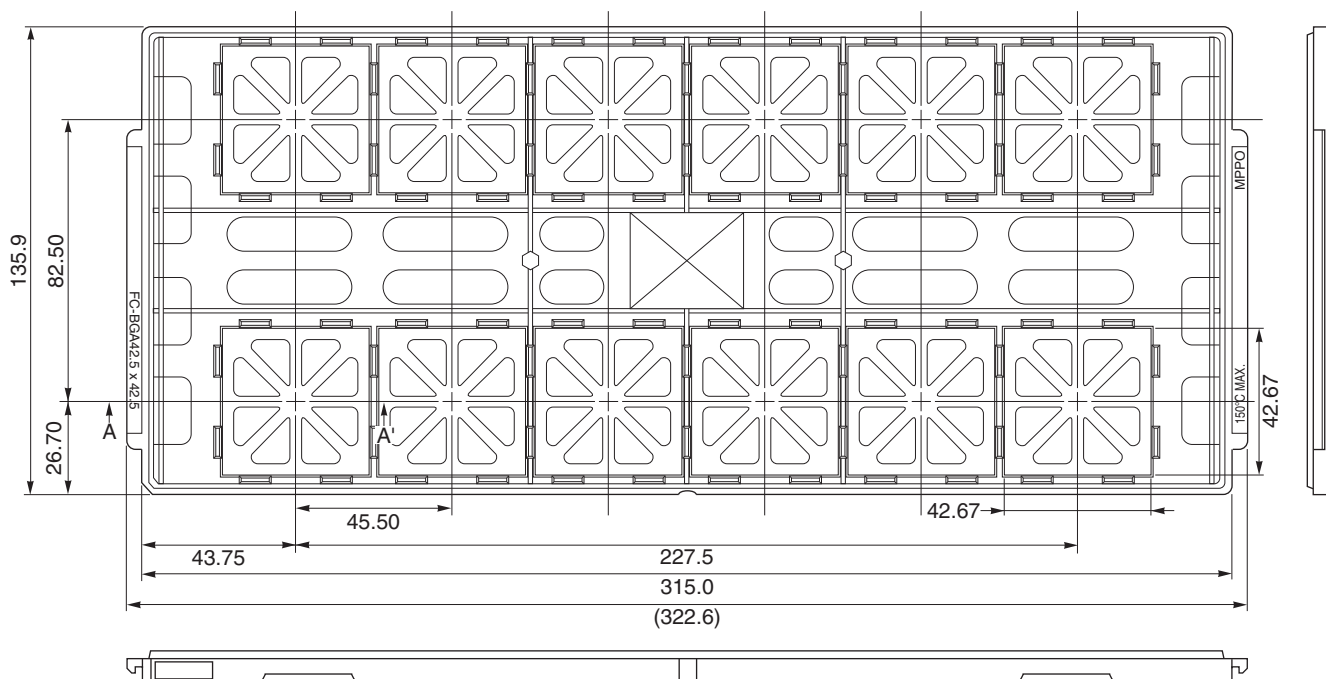
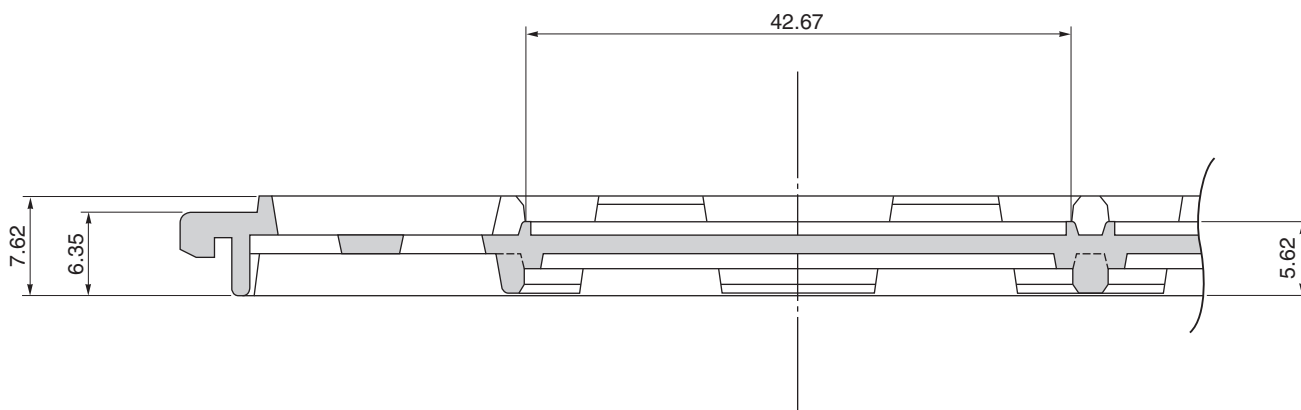


TRAY CONTAINER

UNIT : mm



<SECTION A-A'>



Applied Package	Quantity (pcs)
1088-pin Plastic BGA (42.5x42.5) (FLIP CHIP TYPE)	12 MAX.

Tray	FC-BGA42.5x42.5
Material	Carbon MPPO
Heat Proof Temp.	150°C MAX.
Surface resistance	less than $1 \times 10^{12} \Omega / \square$

The tolerance of tray's dimensions are based on JEDEC STANDARD.