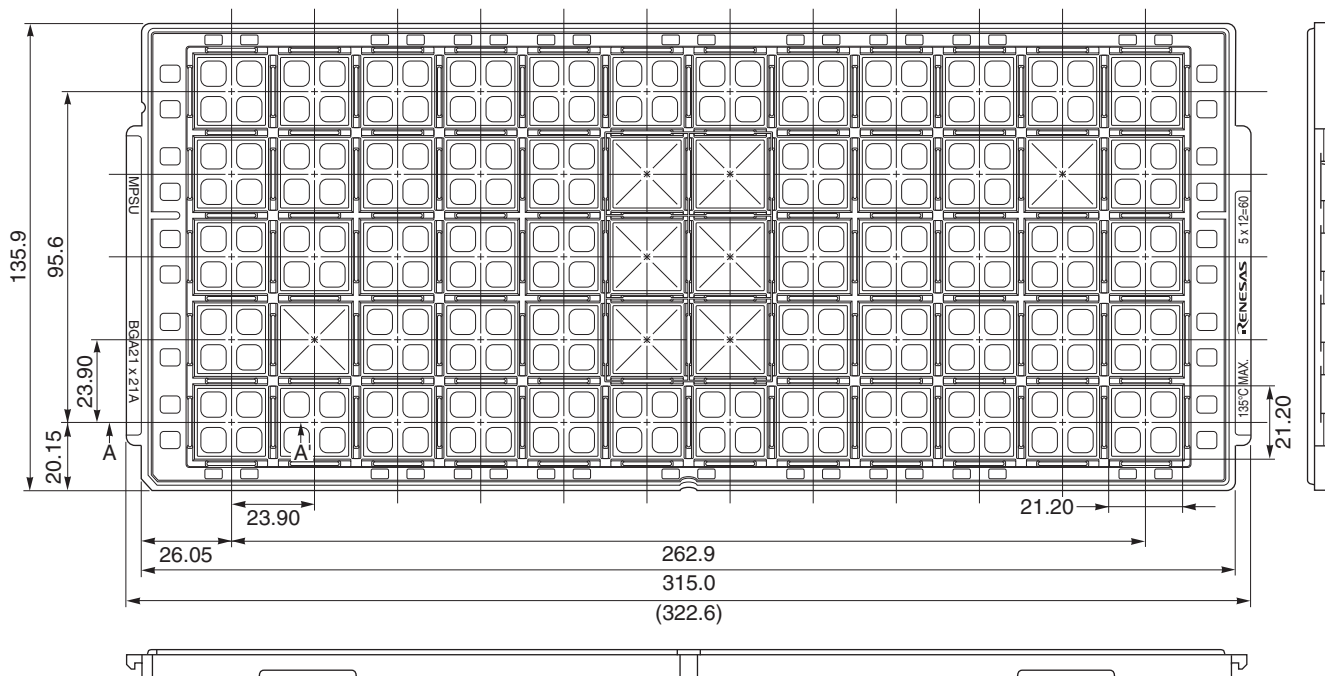
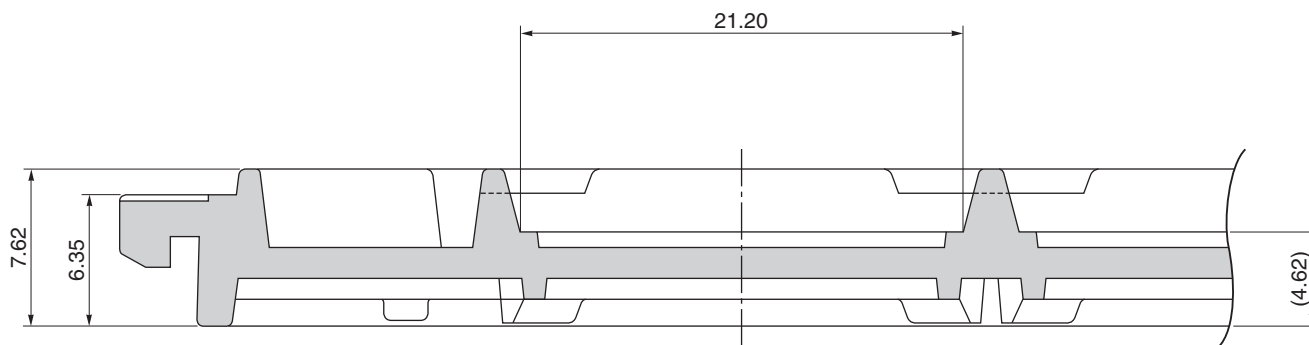


TRAY CONTAINER

UNIT : mm



<SECTION A-A'>



Applied Package	Quantity (pcs)	Tray	BGA21x21A
360-pin Plastic BGA (21x21) (FLIP CHIP TYPE)	60 MAX.	Material	Carbon Fiber PSU
		Heat Proof Temp.	135°C MAX.
		Surface resistance	less than $1 \times 10^{12} \Omega / \square$

The tolerance of tray's dimensions are based on JEDEC STANDARD.