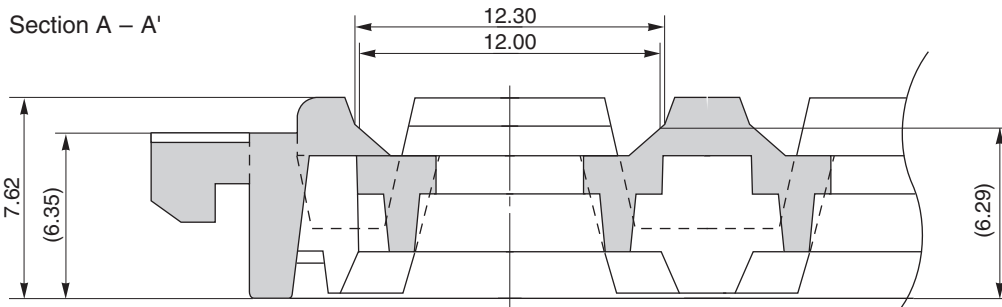
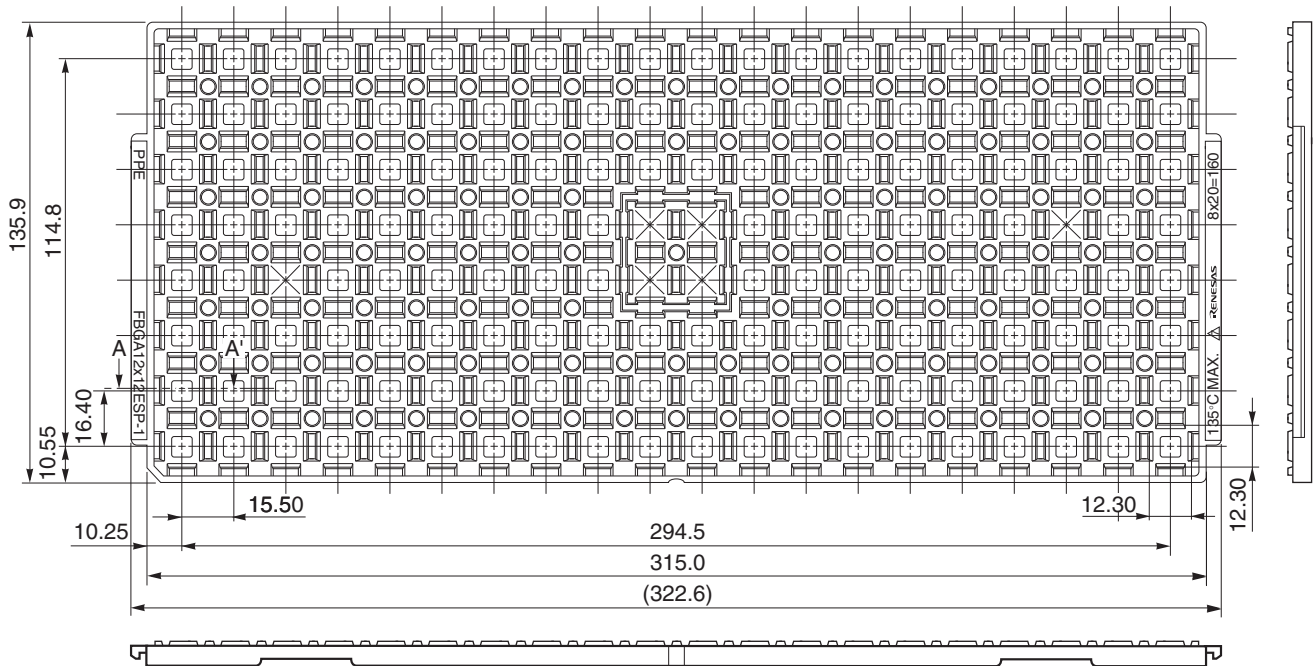


TRAY CONTAINER

UNIT : mm



Applied Package	Quantity (pcs)	Tray	FBGA 12x12 ESP-1
121-pin Plastic FBGA (12x12)	160 MAX.	Material	Carbon PPE
144-pin Plastic FBGA (12x12)		Heat Proof Temp.	135°C MAX.
160-pin Plastic FBGA (12x12)		Surface Resistance	Less than $1 \times 10^{12} \Omega / \square$
180-pin Plastic FBGA (12x12)		The tolerance of tray's dimensions are based on JEDEC STANDARD.	
204-pin Plastic FBGA (12x12)			
209-pin Plastic FBGA (12x12)			
241-pin Plastic FBGA (12x12)			
337-pin Plastic FBGA (12x12)			
397-pin Plastic FBGA (12x12)			
409-pin Plastic FBGA (12x12)			