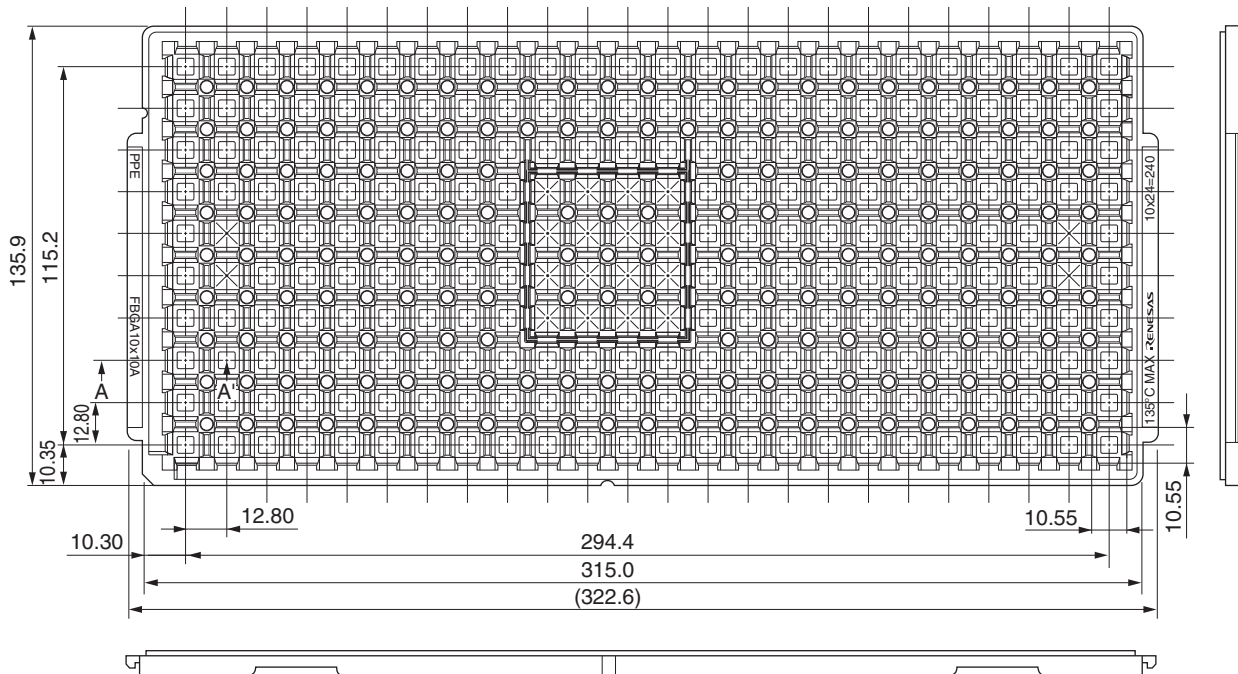
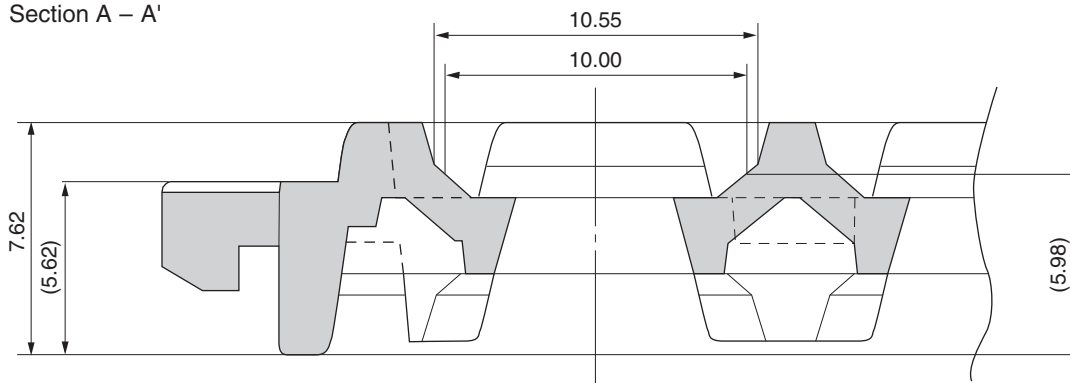


TRAY CONTAINER

UNIT : mm



Section A – A'



Applied Package	Quantity (pcs)
113-pin Plastic FBGA (10x10)	240 MAX.
161-pin Plastic FBGA (10x10)	
176-pin Plastic FBGA (10x10)	
236-pin Plastic FBGA (10x10)	
277-pin Plastic FBGA (10x10)	
289-pin Plastic FBGA (10x10)	

Tray	FBGA10x10A
Material	Carbon PPE
Heat Proof Temp.	135°C MAX.
Surface Resistance	Less than $1 \times 10^{12} \Omega / \square$

The tolerance of tray's dimensions are based on JEDEC STANDARD.