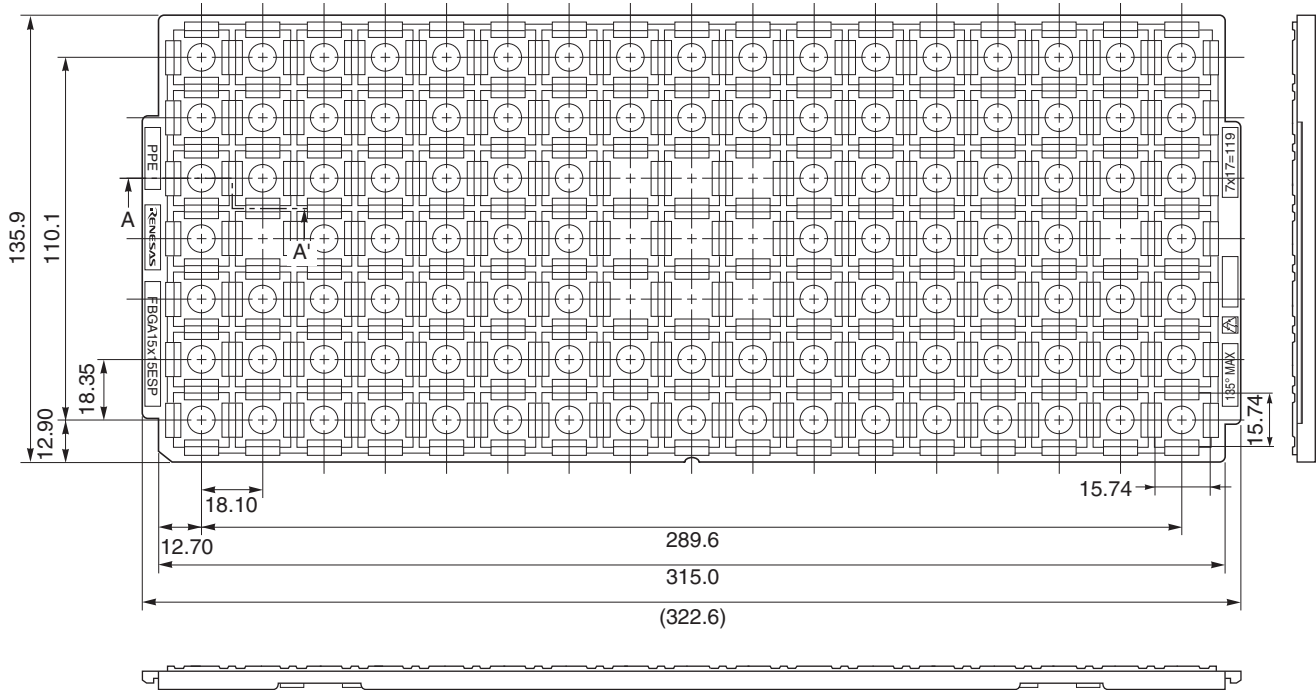
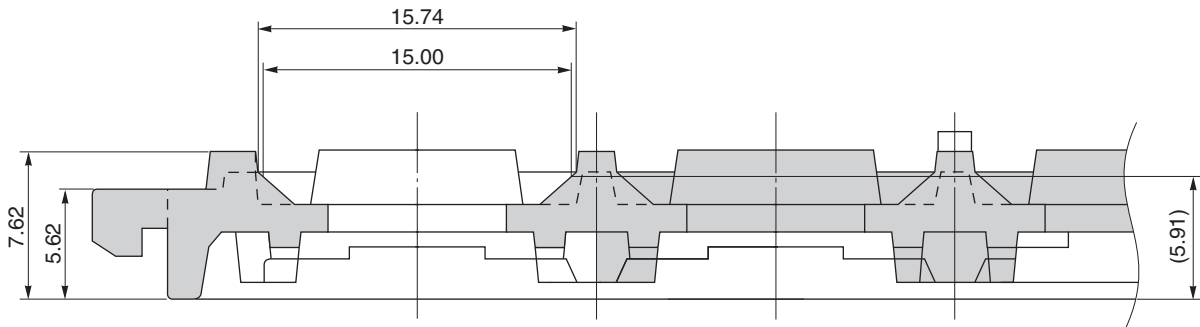


TRAY CONTAINER

Unit : mm



< SECTION A - A' >



Applied Package	Quantity(PCS)
176-pin PLASTIC FBGA (15x15)	119 MAX.
208-pin PLASTIC FBGA (15x15)	
234-pin PLASTIC FBGA (15x15)	
273-pin PLASTIC FBGA (15x15)	
362-pin PLASTIC FBGA (15x15)	
385-pin PLASTIC FBGA (15x15)	

Tray	FBGA 15x15ESP
Material	Carbon PPE
Heat Proof Temp.	135°C MAX.
Surface resistance	less than $1 \times 10^{12} \Omega / \square$

The tolerance of tray's dimensions are based on JEDEC STANDARD