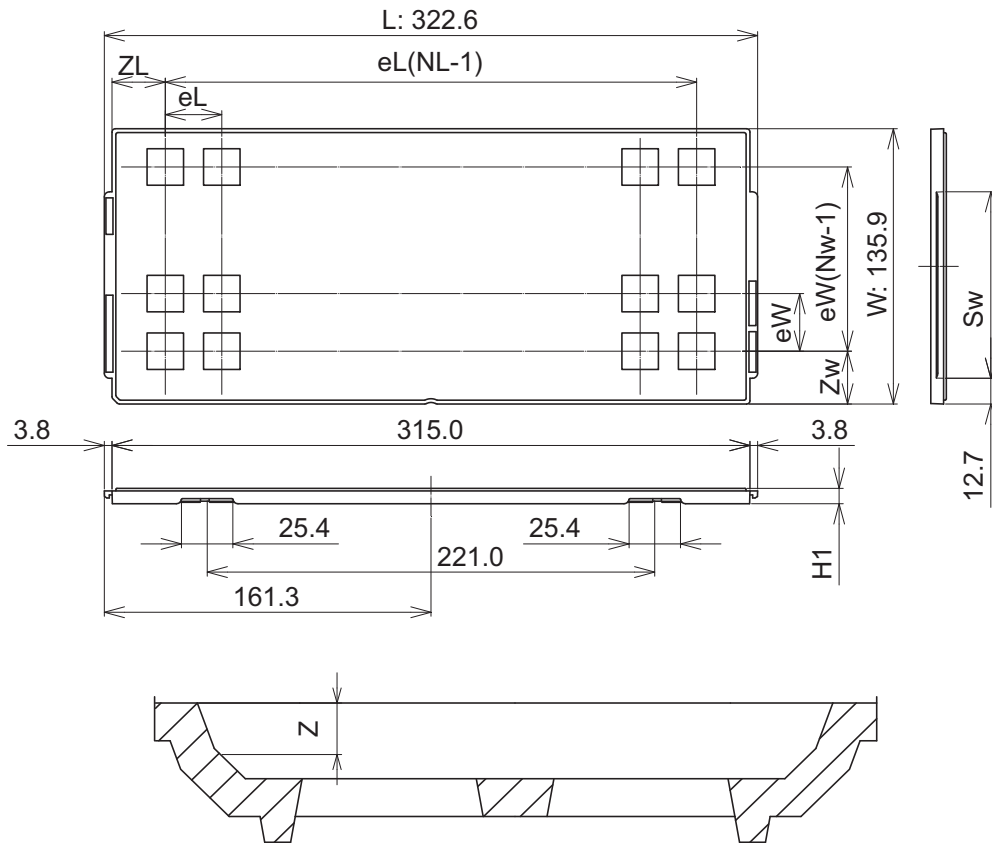
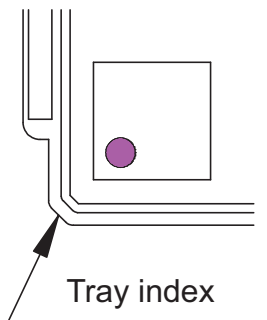


**Packing Specification
Tray Outline Drawing
PTA19C**

Unit: mm



The pin1 is located in the hatching portion.



Tray Code		PTA19C
Position dimension of cells	Z	1.67
	Zw	11.95
	ZL	16.15
	eW	16.00
	eL	16.15
	Sw	92.1
Thickness (mm)	H1	7.62
Number of cells	Nw	8
	NL	19
Maximum storage No. IC/Tray		152
Maximum storage No. IC/Inner box		1216
Material		Carbon PPE
Heat resistant temperature		135°C MAX
JEDEC or Custom		JEDEC
Surface resistance		Less than $1 \times 10^{11} \Omega/\square$

RDK-H-000748