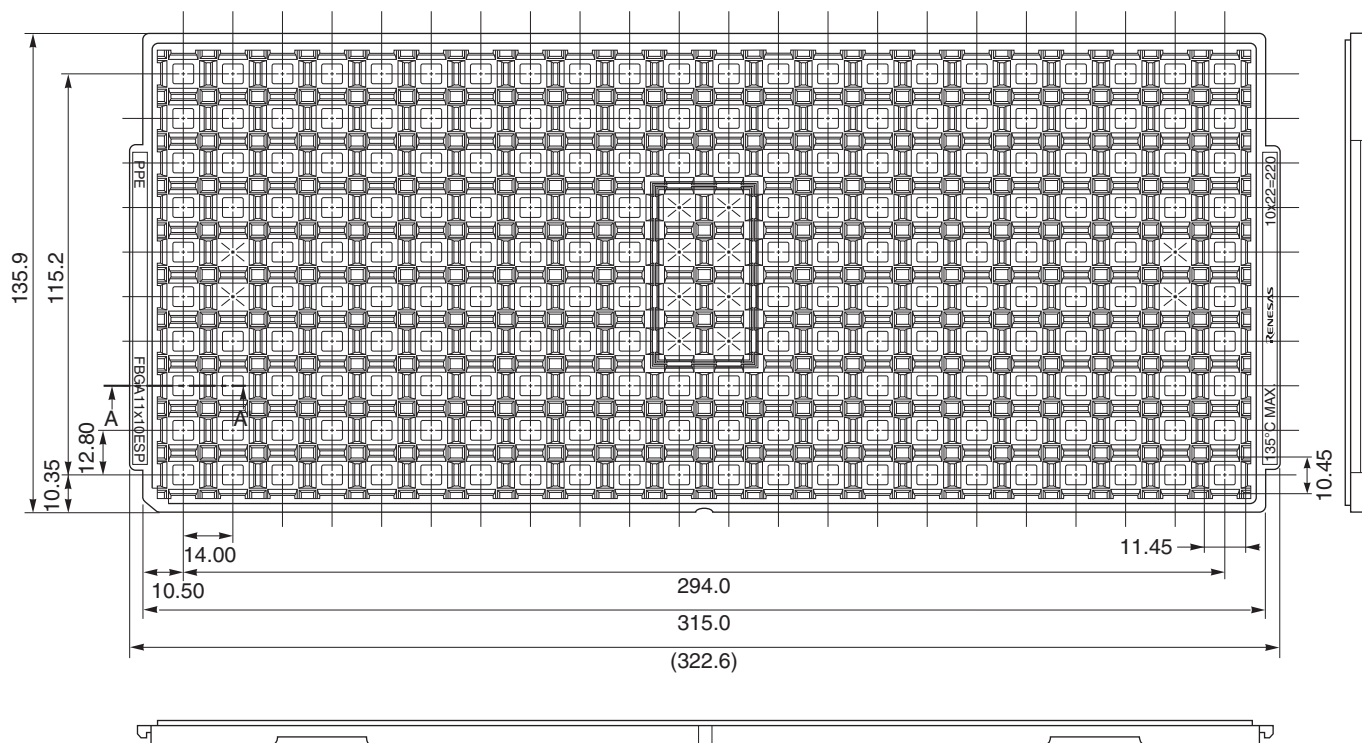
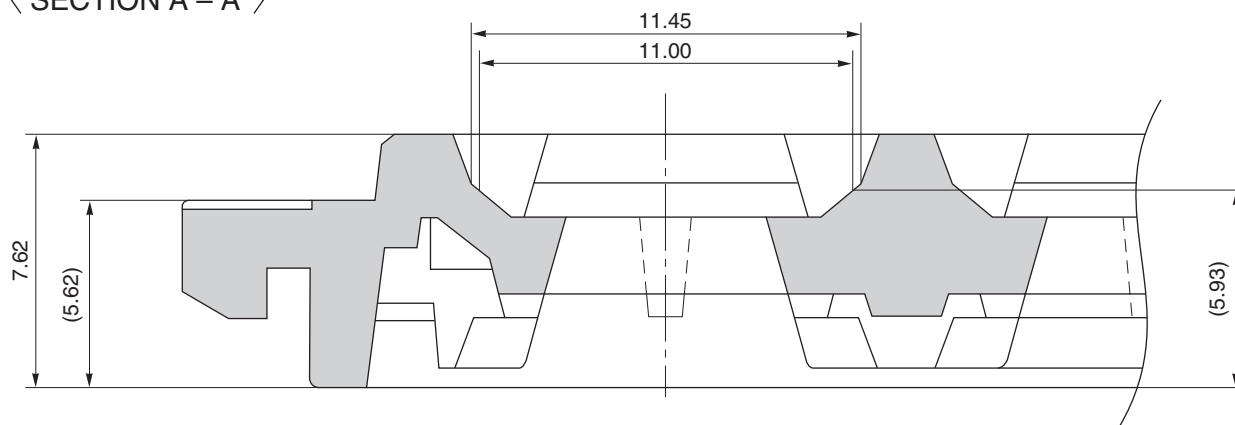


TRAY CONTAINER

UNIT : mm



< SECTION A - A' >



Applied Package	Quantity (pcs)
93-pin · Plastic FBGA (11x10)	220 MAX.
337-pin · Plastic FBGA (11x10)	

Tray	FBGA11x10ESP
Material	Carbon PPE
Heat Proof Temp.	135°C MAX.
Surface resistance	less than $1 \times 10^{12} \Omega / \square$

The tolerance of tray's dimensions are based on JEDEC STANDARD.