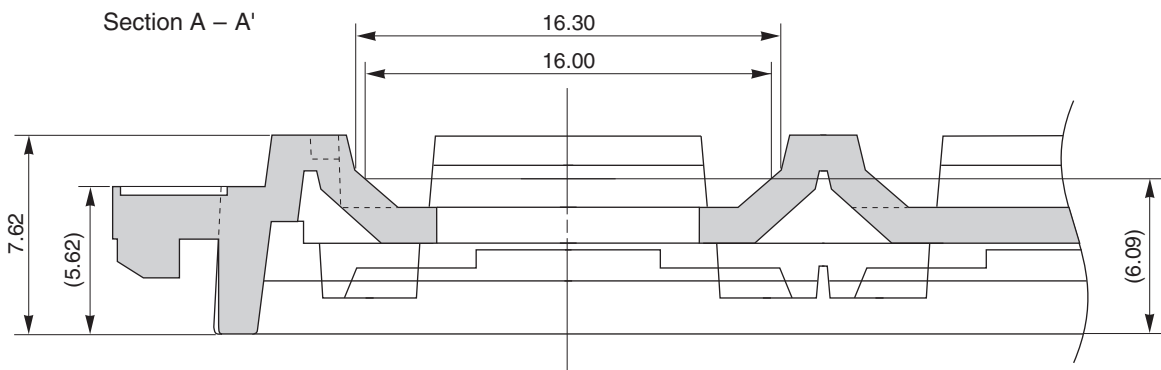
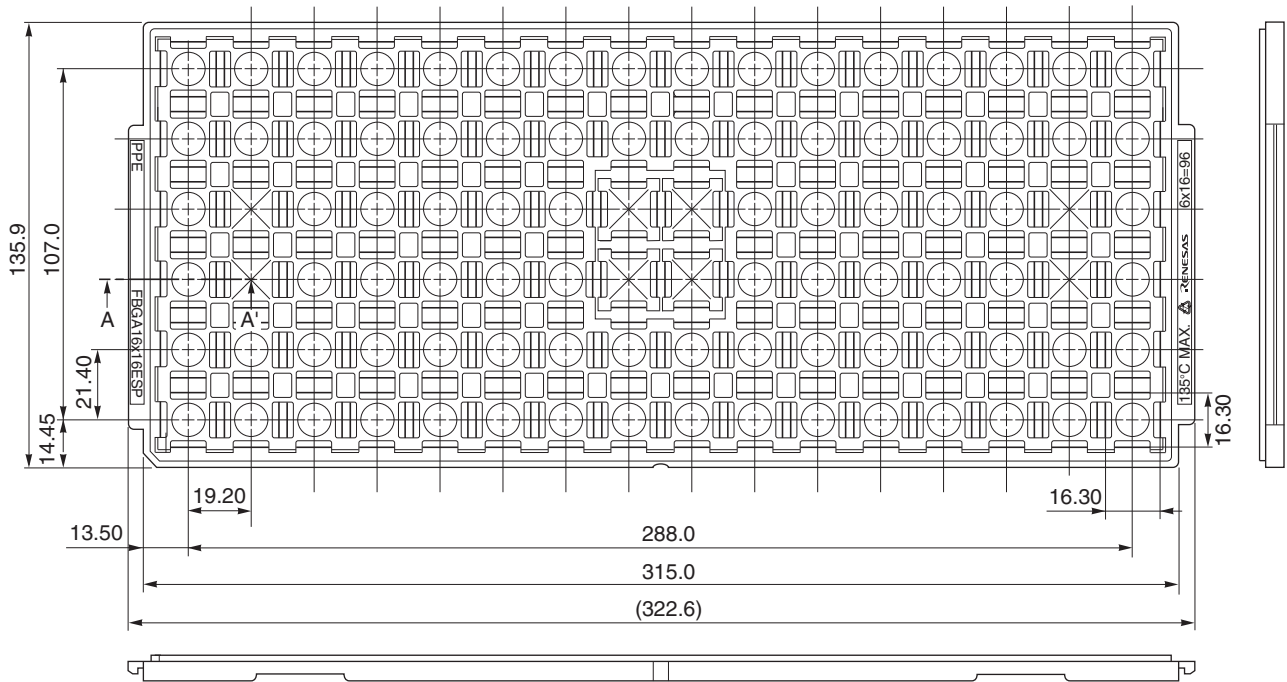


# TRAY CONTAINER



| Applied Package              | Quantity (pcs) |
|------------------------------|----------------|
| 216-pin Plastic FBGA (16x16) | 96 MAX.        |
| 224-pin Plastic FBGA (16x16) |                |
| 240-pin Plastic FBGA (16x16) |                |
| 241-pin Plastic FBGA (16x16) |                |
| 260-pin Plastic FBGA (16x16) |                |
| 303-pin Plastic FBGA (16x16) |                |
| 342-pin Plastic FBGA (16x16) |                |
| 393-pin Plastic FBGA (16x16) |                |
| 697-pin Plastic FBGA (16x16) |                |

|                    |   |
|--------------------|---|
| Tray               | FBGA16x16ESP                                  |
| Material           | Carbon PPE                                    |
| Heat Proof Temp.   | 135°C MAX.                                    |
| Surface Resistance | Less than $1 \times 10^{12} \Omega / \square$ |

The tolerance of tray's dimensions are based on JEDEC STANDARD.