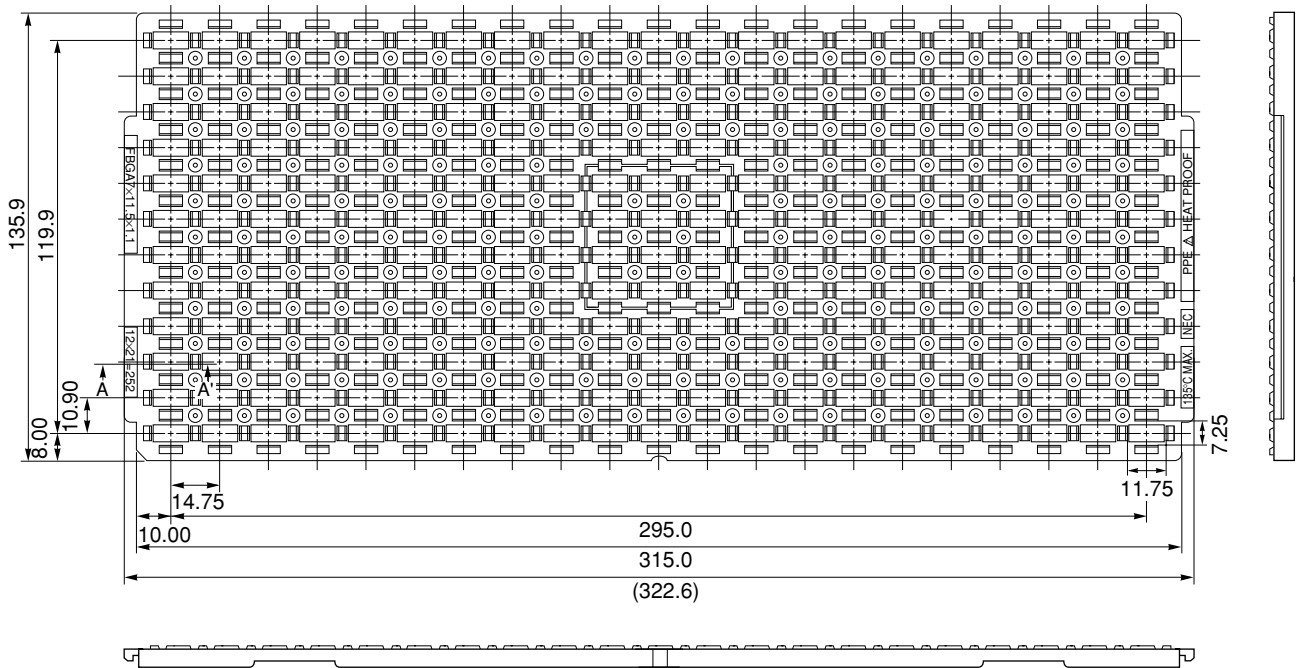
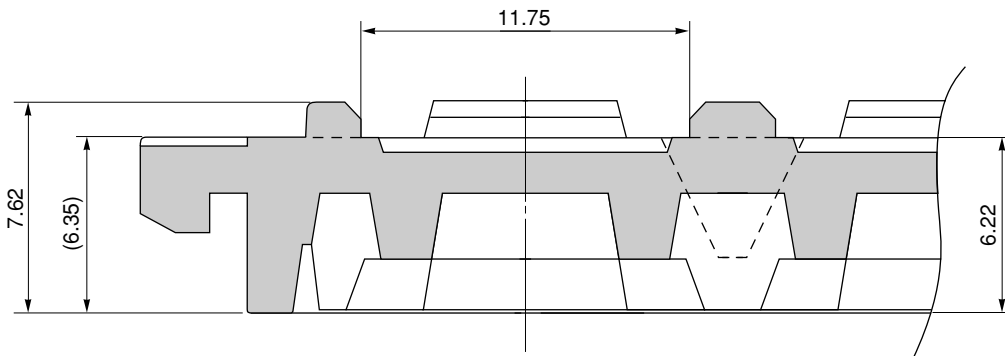


# TRAY CONTAINER

UNIT : mm



## < SECTION A - A' >



Applied Package	Quantity (pcs)
52-pin • Plastic FBGA (7×11.5)	MAX. 252

Tray	FBGA 7 × 11.5 × 1.1
Material	Carbon PPE
Heat Proof Temp.	135°C
Surface resistance	less than $1 \times 10^{12} \Omega / \square$

The tolerance of tray's dimensions are based on JEDEC STANDARD.

SSD-A-H6481

© 2010 Renesas Electronics Corporation. All rights reserved.