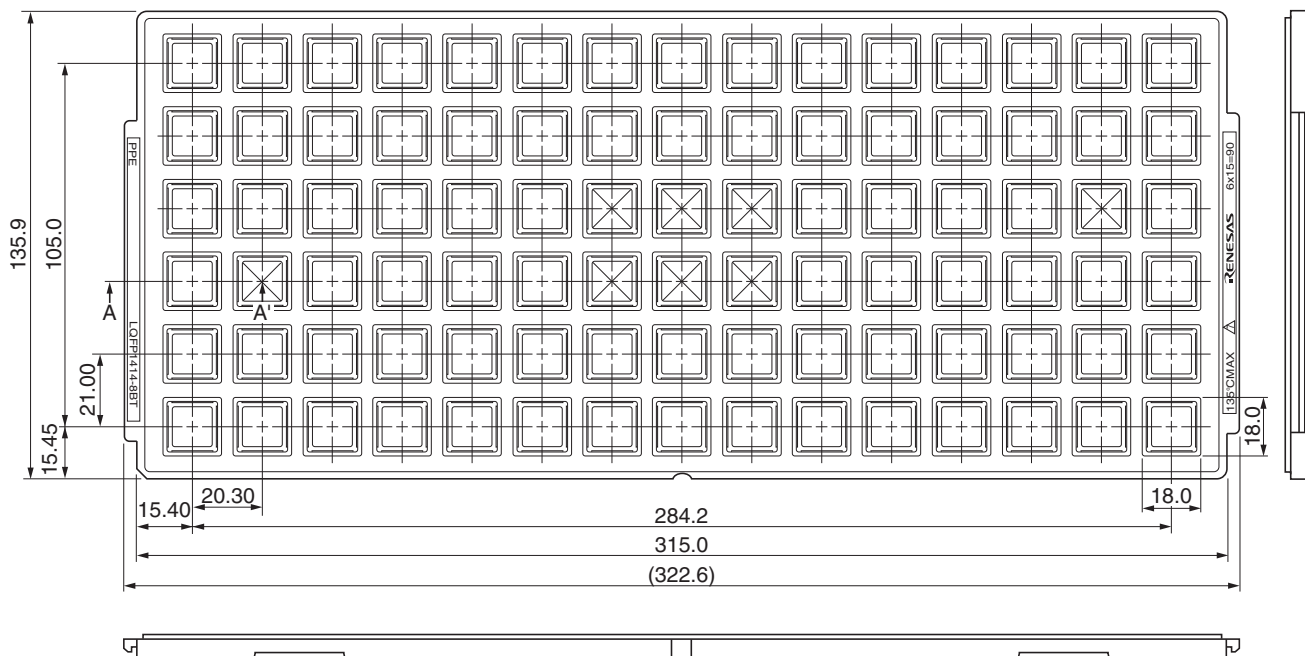
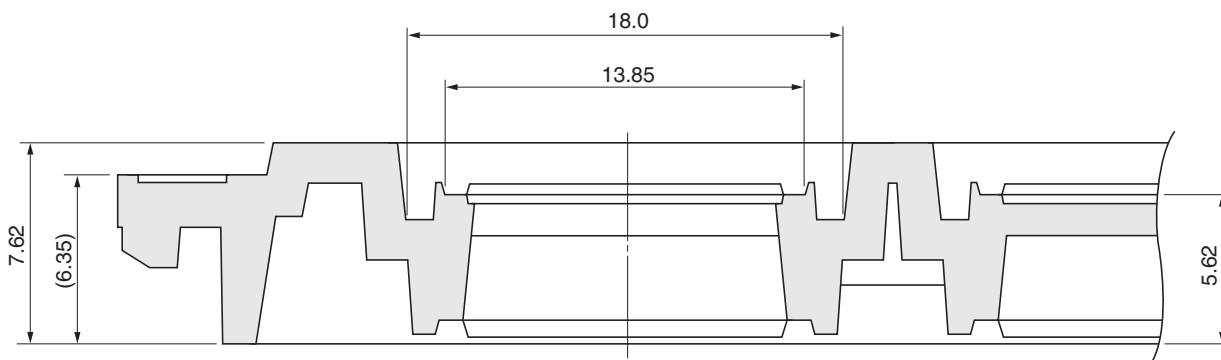


TRAY CONTAINER

UNIT : mm



< SECTION A - A' >



Applied Package	Quantity (pcs)
64-pin Plastic LQFP (1.4mm thick)	MAX. 90
80-pin Plastic LQFP (1.4mm thick)	

Tray	LQFP1414-8BT
Material	Carbon PPE
Heat Proof Temp.	135°C
Surface resistance	less than $1 \times 10^{12} \Omega / \square$

The tolerance of tray's dimensions are based on JEDEC STANDARD