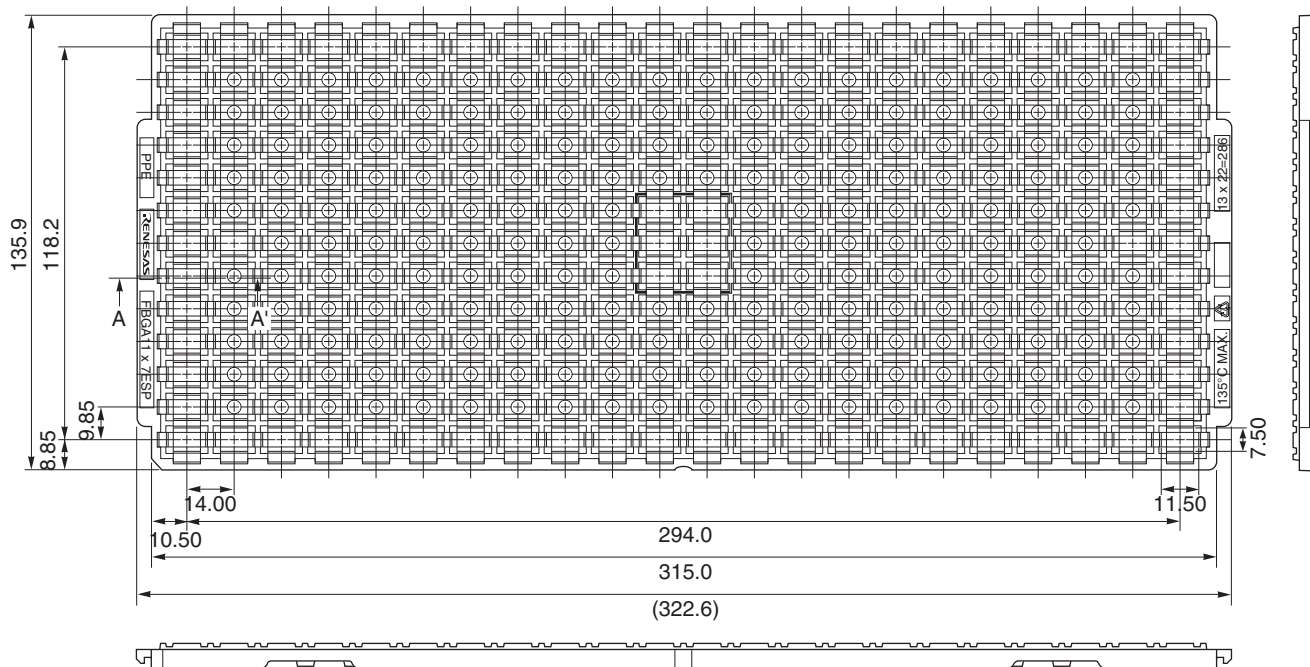
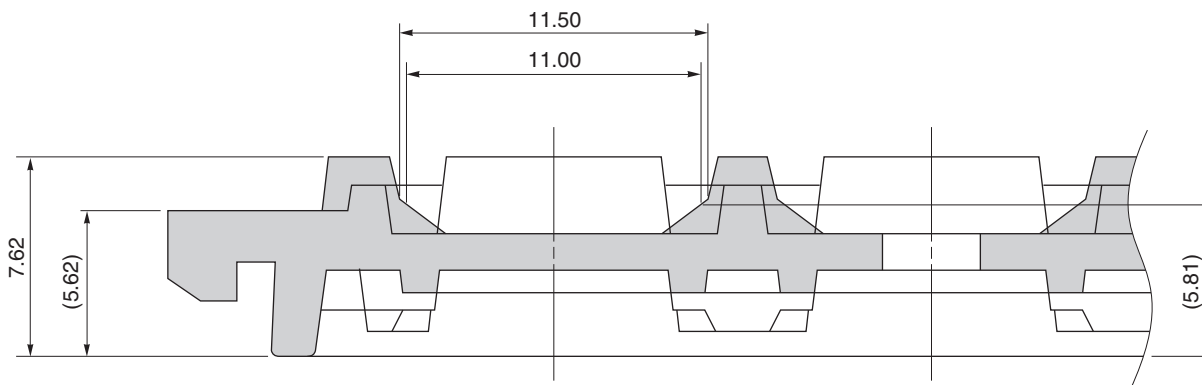


TRAY CONTAINER

UNIT : mm



< SECTION A - A' >



Applied Package	Quantity (pcs)
63-pin • TAPE FBGA (11x7)	MAX. 286
71-pin • TAPE FBGA (11x7)	

Tray	FBGA11x7 ESP
Material	Carbon PPE
Heat Proof Temp.	135°C
Surface resistance	less than $1 \times 10^{12} \Omega / \square$

The tolerance of tray's dimensions are based on JEDEC STANDARD.