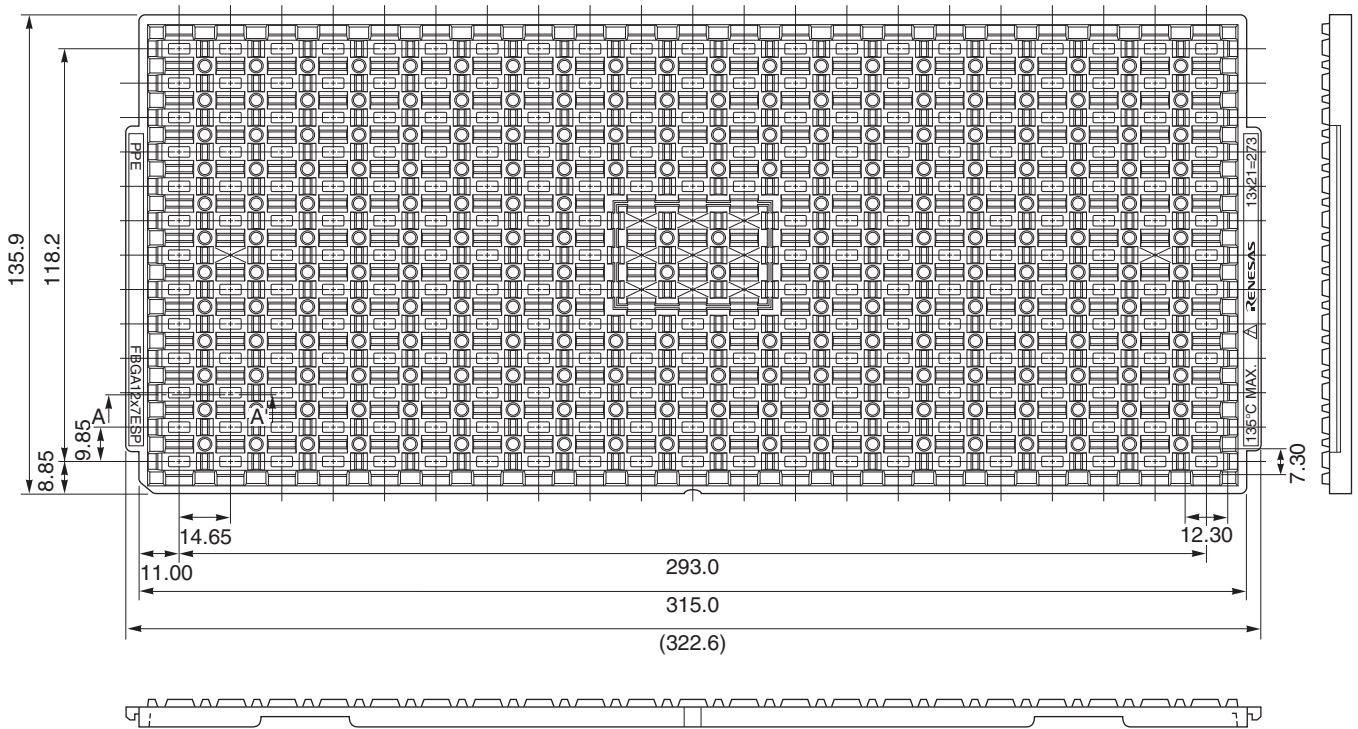
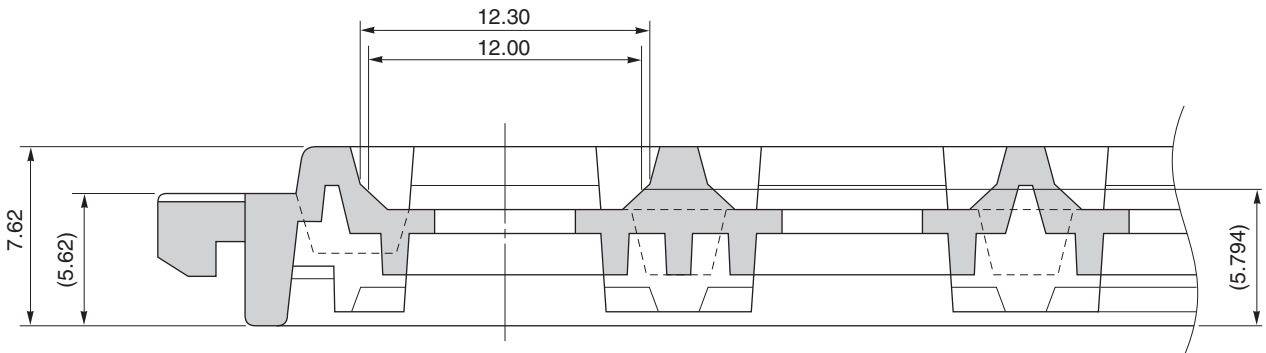


TRAY CONTAINER

UNIT : mm



< SECTION A - A' >



Applied Package	Quantity (pcs)
77-pin · Plastic FBGA (12x7)	MAX. 273

Tray	FBGA12x7ESP
Material	Carbon PPE
Heat Proof Temp.	135°C
Surface resistance	less than $1 \times 10^{12} \Omega / \square$

The tolerance of tray's dimensions are based on JEDEC STANDARD.