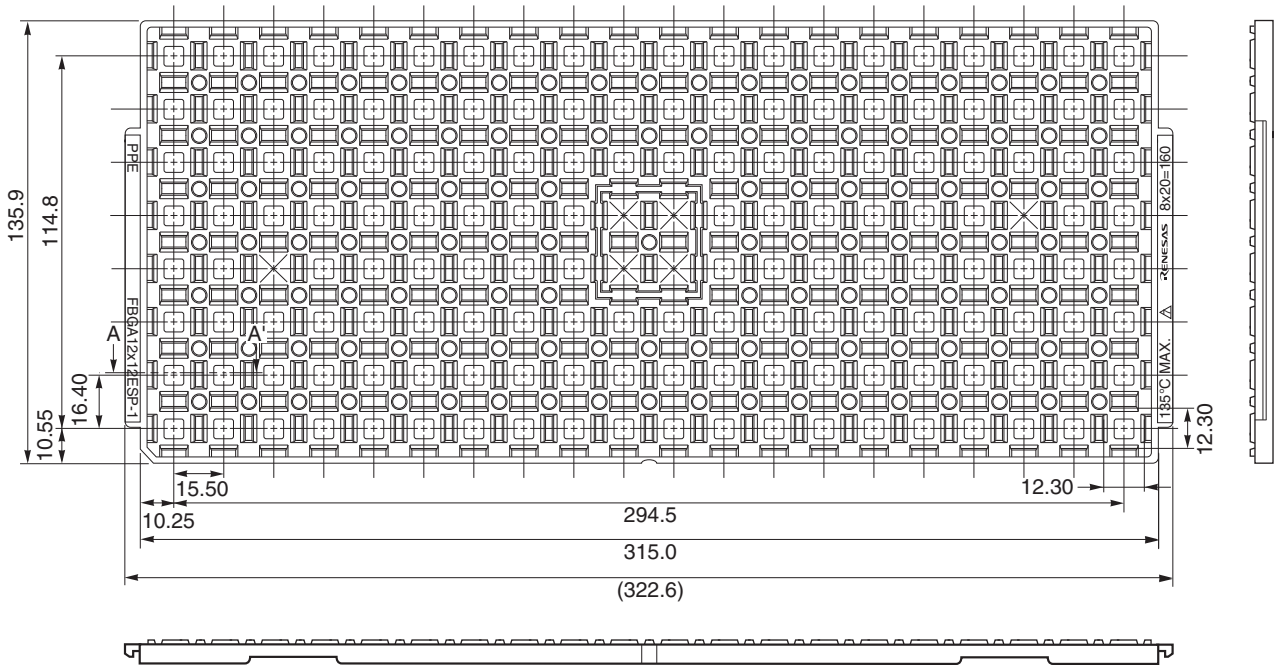
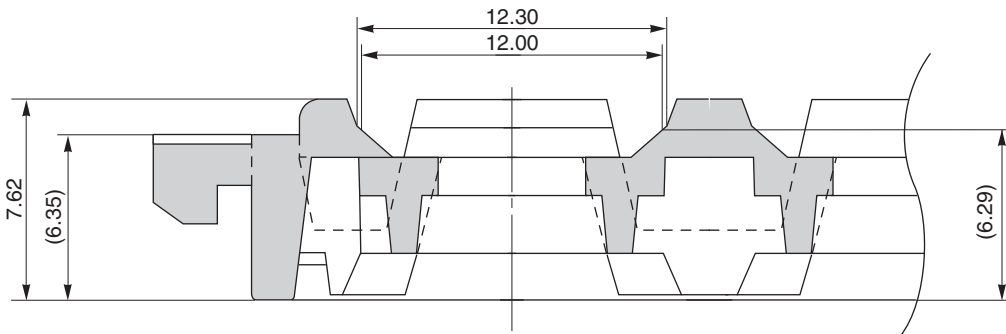


TRAY CONTAINER

UNIT : mm



< SECTION A - A' >



Applied Package	Quantity (pcs)
261-pin Tape FBGA (12x12)	160 MAX.
337-pin Tape FBGA (12x12)	

Tray	FBGA 12x12ESP-1
Material	Carbon PPE
Heat Proof Temp.	135°C MAX.
Surface resistance	less than $1 \times 10^{12} \Omega / \square$

The tolerance of tray's dimensions are based on JEDEC STANDARD.