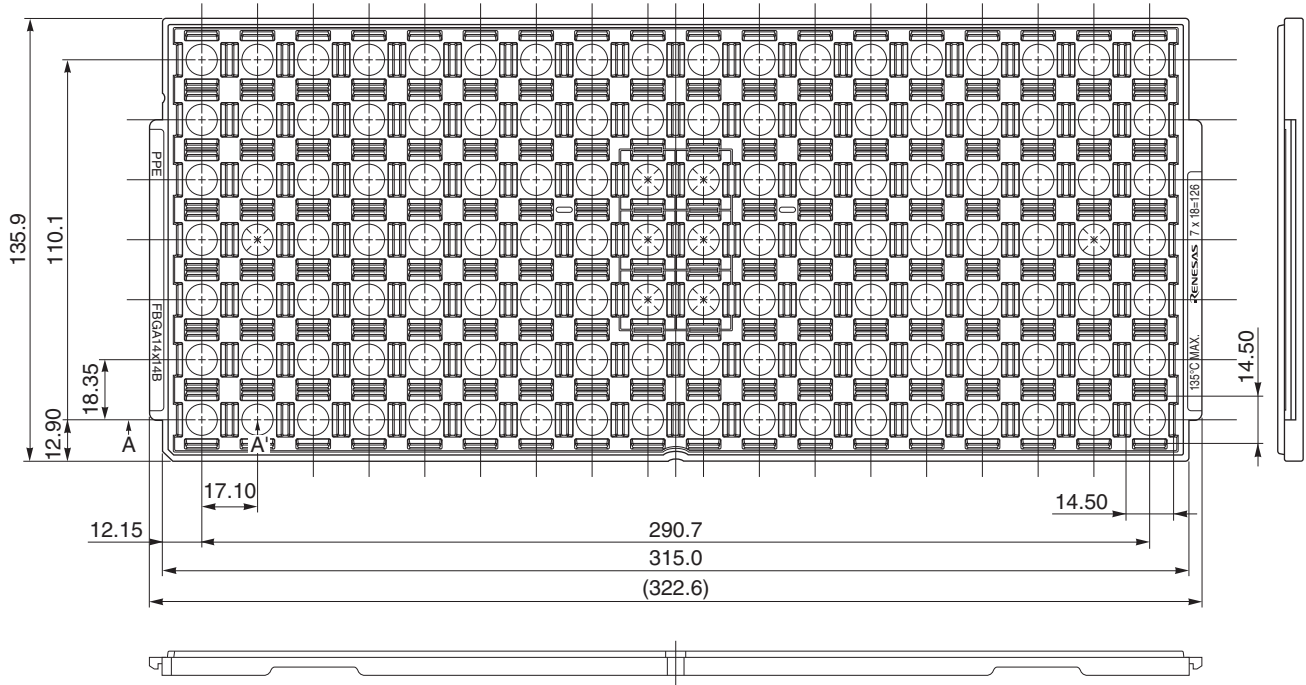
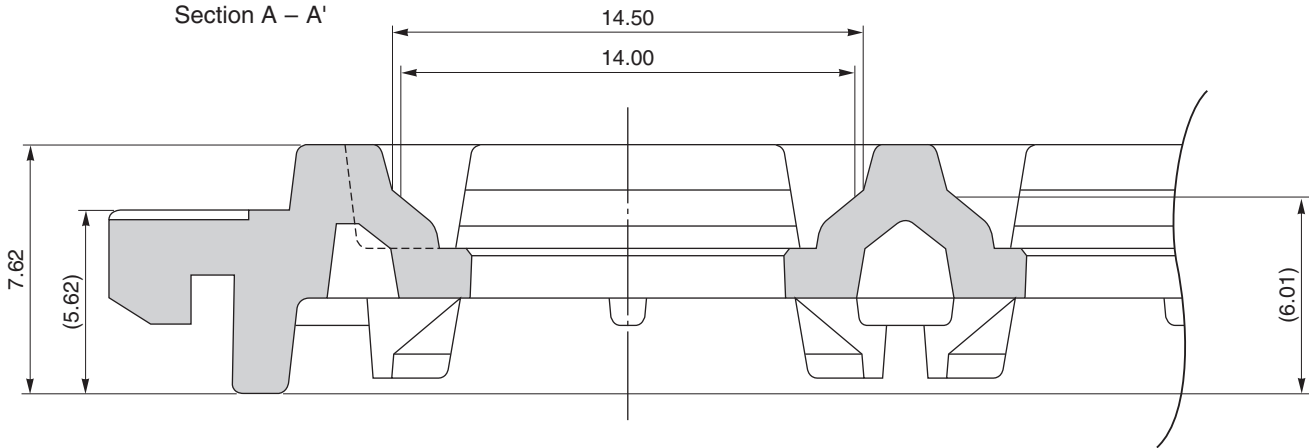


# TRAY CONTAINER

UNIT : mm



Section A – A'



Applied Package	Quantity (pcs)
529-pin Plastic FBGA (14x14) (Flip-chip type)	126 MAX.
533-pin Plastic FBGA (14x14) (Flip-chip type)	

Tray	FBGA14x14B
Material	Carbon PPE
Heat Proof Temp.	135°C MAX.
Surface Resistance	Less than $1 \times 10^{12} \Omega / \square$

The tolerance of tray's dimensions are based on JEDEC STANDARD.