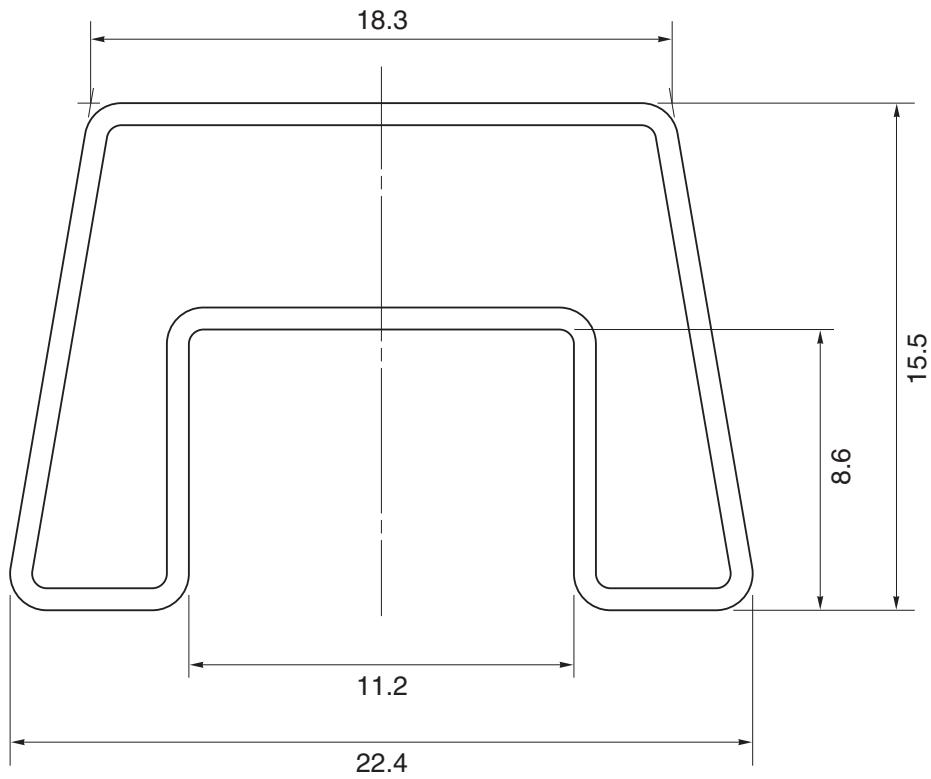


# TUBE CONTAINER

UNIT : mm



SC-600-1P

Length :  $495 \pm 2.0$

Thickness :  $0.7^{+0.03}_{-0.02}$

Tolerance :  $\pm 0.4$

Material : Plastic (With Antistatic Finish)

Applied Package	Quantity(pcs)
24-pin Plastic DIP	MAX. 14
24-pin Ceramic DIP (Cerdip)	MAX. 15
24-pin Ceramic DIP (Seam Weld)	MAX. 14
28-pin Plastic DIP	MAX. 13
28-pin Ceramic DIP (Cerdip / Seam Weld)	MAX. 12
32-pin Plastic DIP / Ceramic DIP (Cerdip)	MAX. 11
36-pin Plastic DIP	MAX. 10
40-pin Plastic DIP	MAX. 9
40-pin Plastic Shrink DIP	MAX. 12
40-pin Ceramic DIP (Cerdip / Seam Weld)	MAX. 9
42-pin Plastic DIP / Ceramic DIP (Cerdip / Seam Weld)	MAX. 8
42-pin Plastic Shrink DIP	MAX. 12
48-pin Plastic DIP / Ceramic DIP (Seam Weld)	MAX. 7