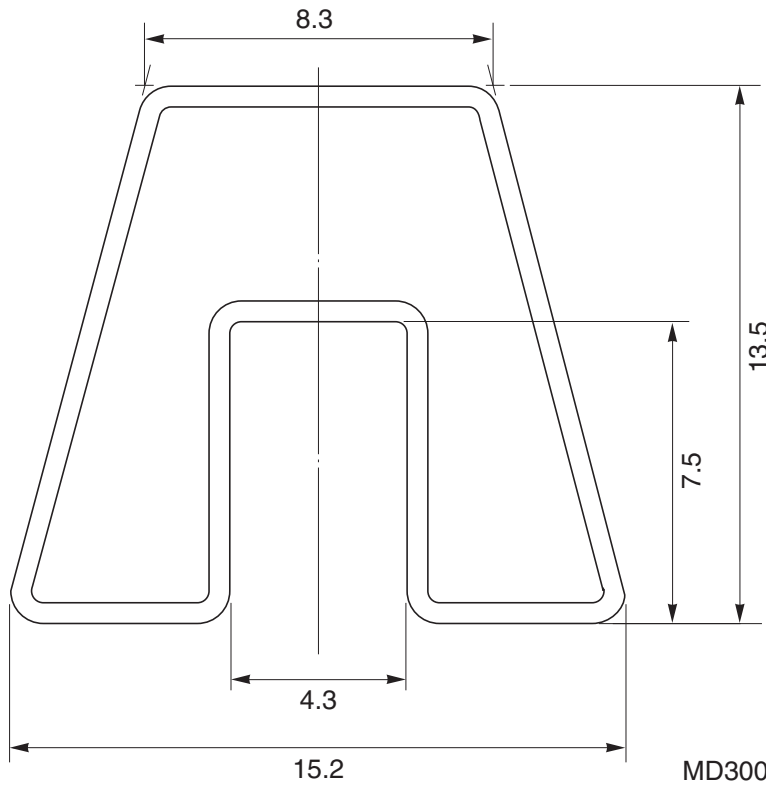


# TUBE CONTAINER

UNIT : mm



MD300-10A or LB-003

length :  $515 \pm 2.0$

thickness :  $0.5^{+0.2}_{-0.1}$

tolerance :  $\pm 0.4$

material : plastic (with antistatic finish)

Applied Package	Quantity (pcs)
14-pin plastic DIP	25 MAX.
16-pin plastic DIP / ceramic DIP (cerdip)	25 MAX.