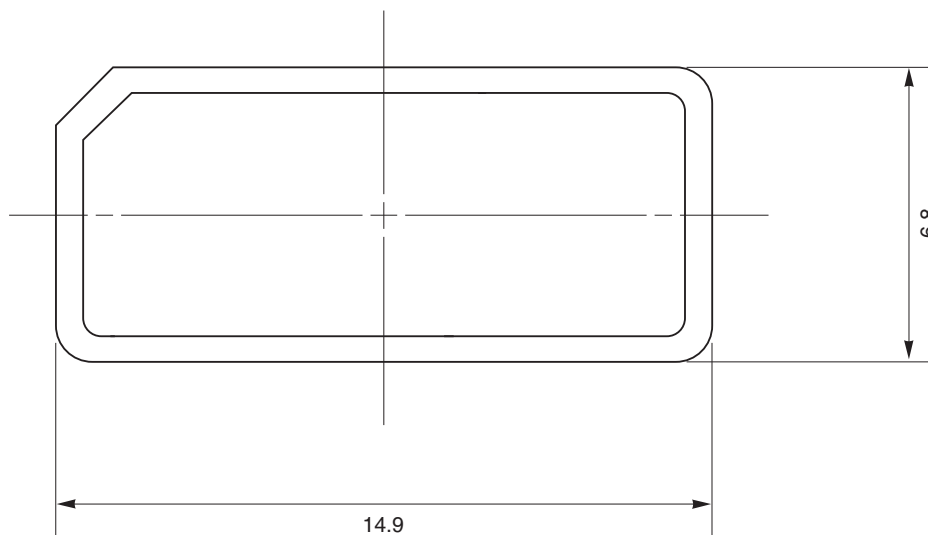


TUBE CONTAINER

UNIT : mm



MP450-01A, LB-024
length : 515 ± 2.0
thickness : $0.7^{+0.3}_{-0.2}$
tolerance : ± 0.4
material : plastic (with antistatic finish)

Applied Package	Quantity (pcs)
28-pin QFJ (PLCC) ($\square 450\text{mil}$)	MAX. 40