

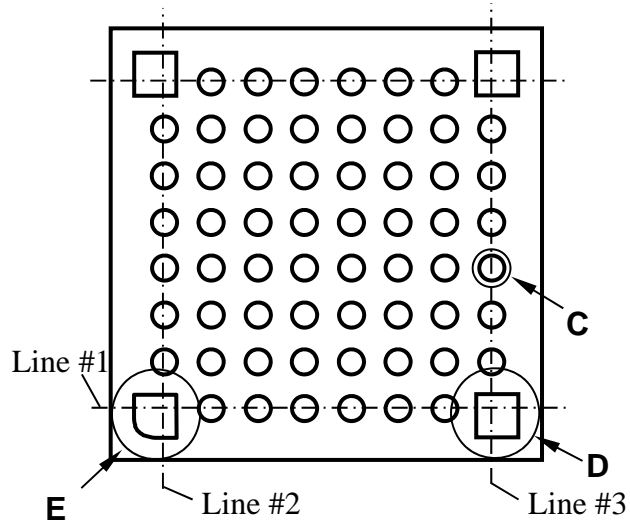
| |
|--------------|
| RENESAS Code |
| PTLG0064JB-A |
| PVLG0064JA-A |

TFLGA, VFLGA

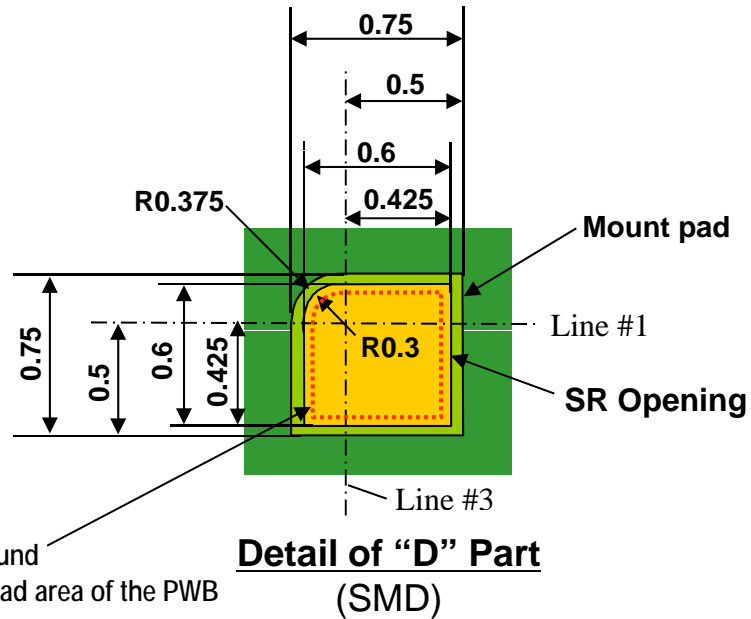
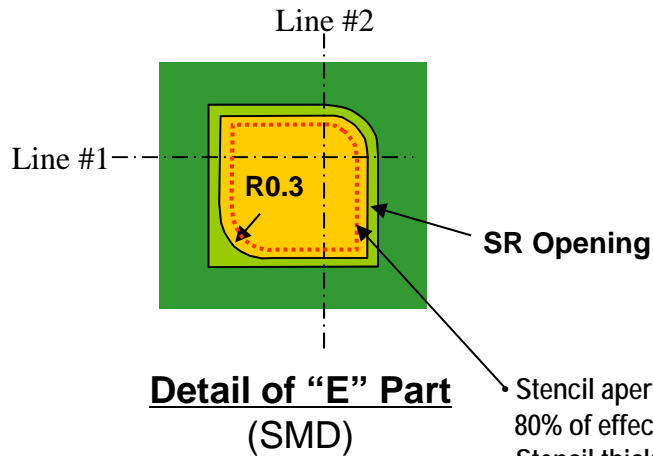
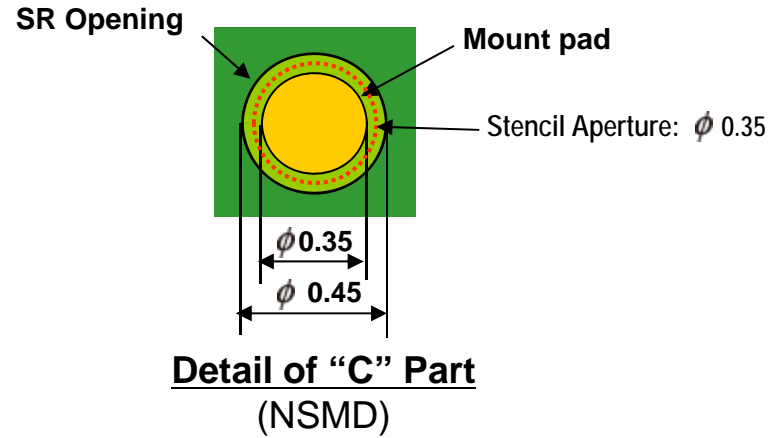
Mount Pad Dimensions

Case Example: 0.65mm Pitch 64-pin (6x6mm)

Unit:mm



Top View of FLGA Land Pattern (Package)



- Stencil aperture is around 80% of effective land pad area of the PWB
- Stencil thickness:120um