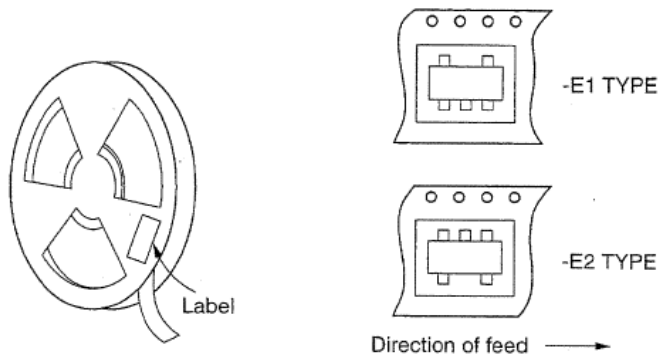
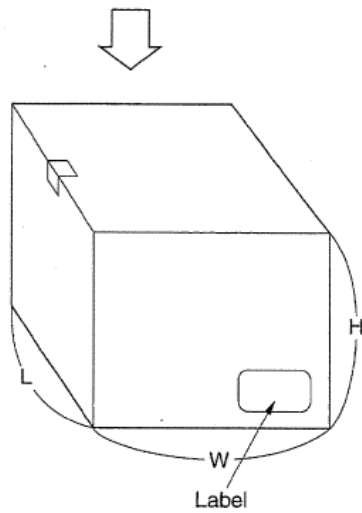


EMBOSSED TAPE PACKING

1. CONTAINER



2. INNER BOX



LABEL	PRODUCT NAME, QUANTITY, LOT NUMBER, CLASS
-------	---

CONTAINER		INNER BOX	
Applied Package	Quantity (pcs)	Dimension (mm) (WxHxL)	Quantity (reel)
5-pin • Plastic • MINI MOLD	MAX. 3000	190x80x190	5
		190x140x190	10