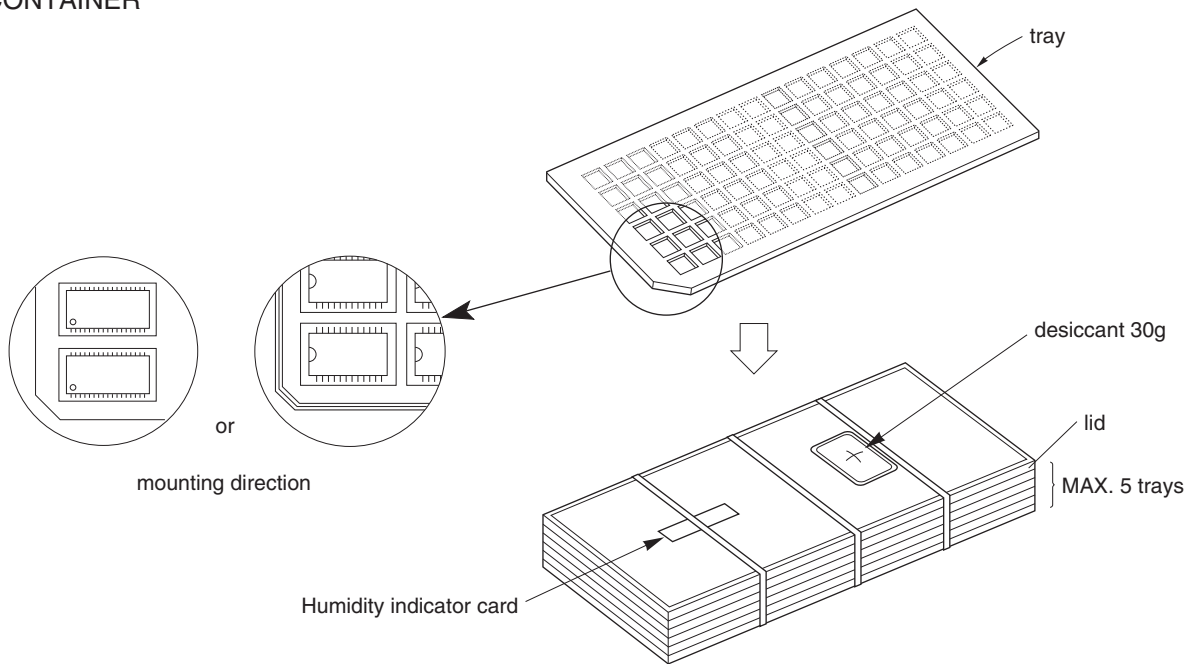
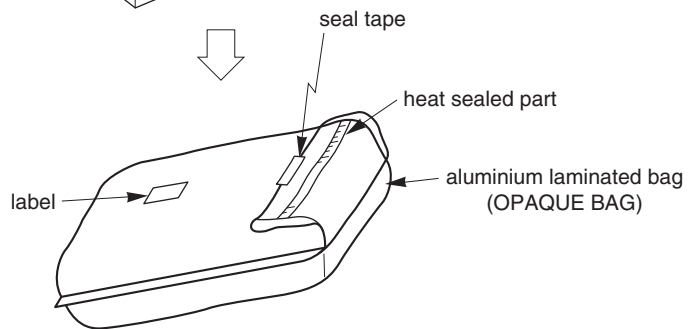


# TRAY PACKING

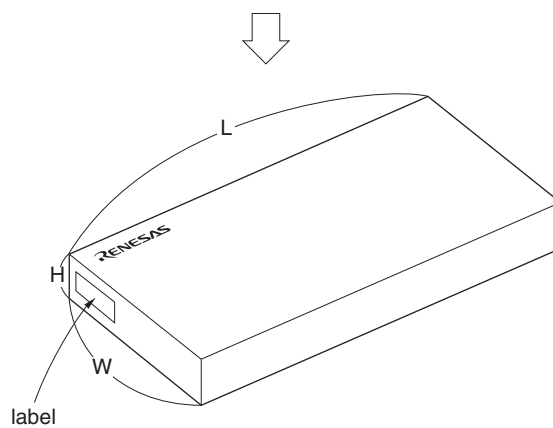
## 1. CONTAINER



## 2. DRY PACK



## 3. INNER BOX



| LABEL POSITION | SIDE OF BOX                               |
|----------------|---|
| INNER BOX      | DIMENSION (W x L x H) 175 x 375 x 75 (mm) |