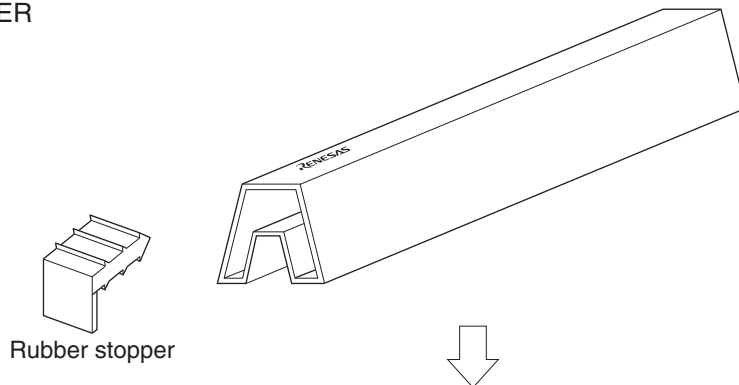
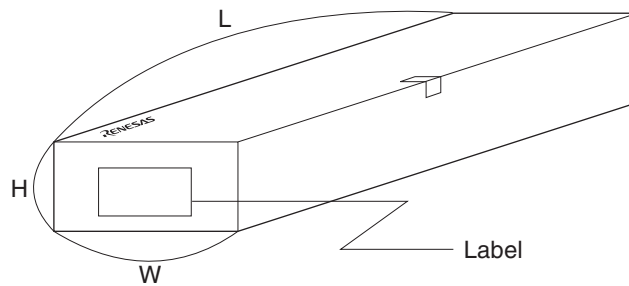


# TUBE PACKING

## 1. CONTAINER



## 2. INNER BOX



LABEL POSITION	TOP OR SIDE OF BOX
LABEL	PRODUCT NAME, QUANTITY, LOT NUMBER, CLASS

CONTAINER			INNER BOX	
Applied Package	Tube	Quantity (pcs) /tube	Dimension (mm) (WxHxL)	Quantity (pcs) /box
14-pin plastic DIP	MD400-05A	24	130x150x510 125x 85x515	1680 840
20-pin plastic DIP		17	130x150x510 125x 85x515	1190 595
22-pin plastic DIP ceramic DIP (cerdip)		17	130x150x510 125x 85x515	1190 595
24-pin plastic DIP		13	130x150x510 125x 85x515	910 455
24-pin ceramic DIP (cerdip)		15	130x150x510 125x 85x515	1050 525
28-pin plastic DIP/ ceramic DIP (cerdip)		13	130x150x510 125x 85x515	910 455
28-pin plastic shrink DIP		17	130x150x510 125x 85x515	1190 595
30-pin plastic shrink DIP		17	130x150x510 125x 85x515	1190 595