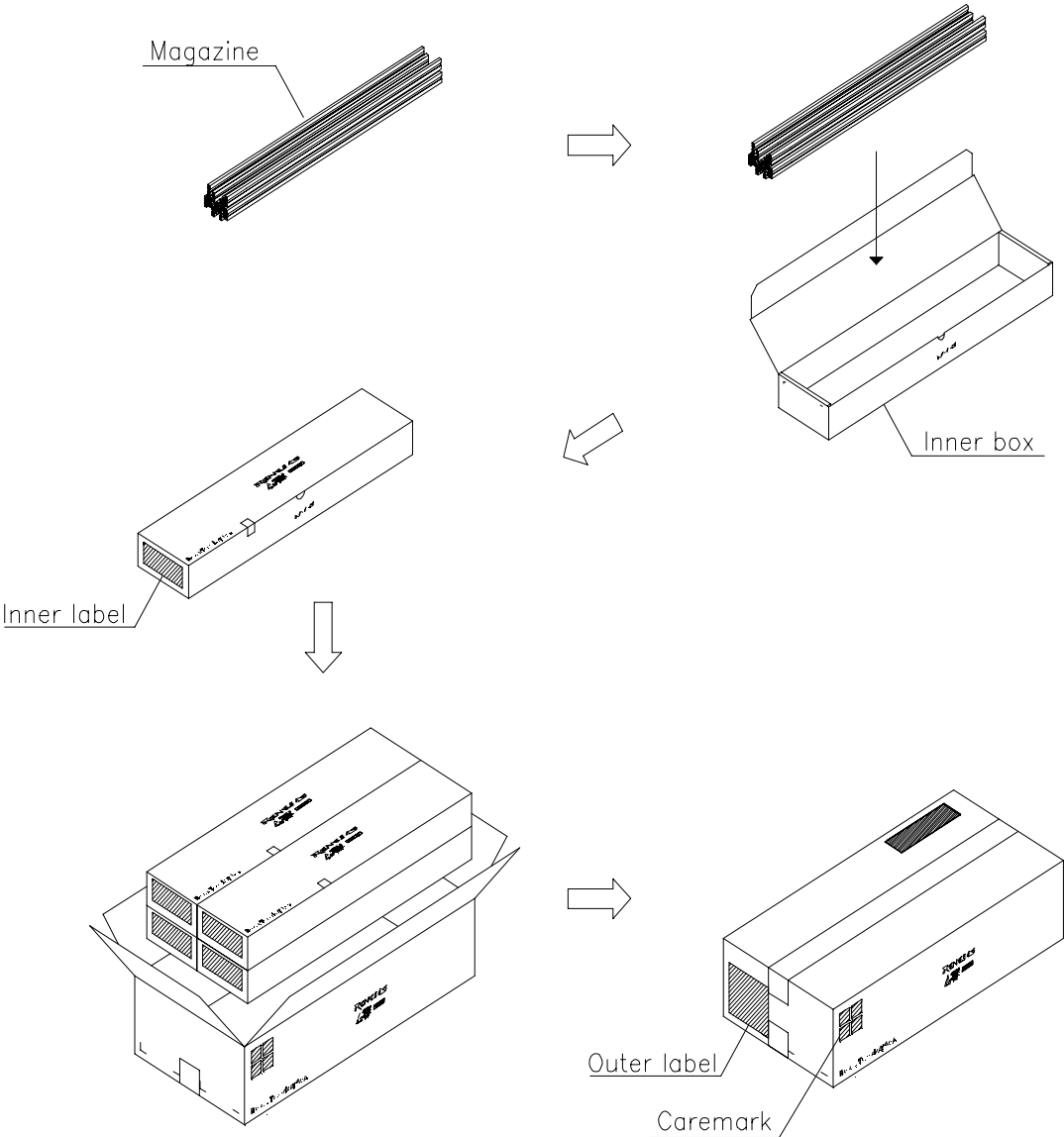


* Packing form for magazine (Non dry pack). The following figure shows an example.



Outer box used depends on the number of inner boxes.