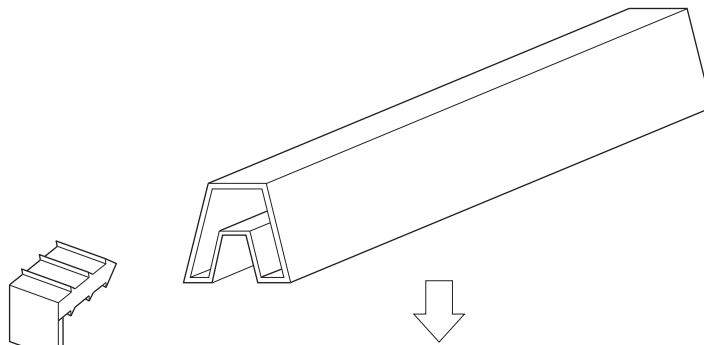


TUBE PACKING

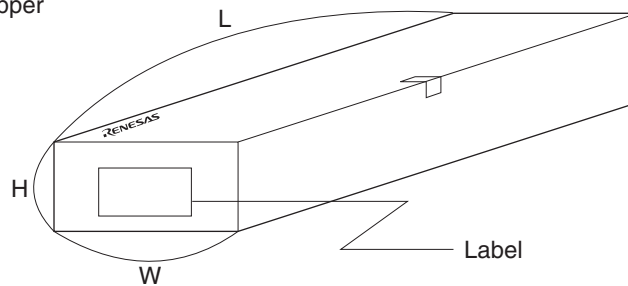
1. CONTAINER

○ MAGAZINE



Rubber stopper

2. INNER BOX



LABEL POSITION	TOP OR SIDE OF BOX
LABEL	PRODUCT NAME, QUANTITY, LOT NUMBER, CLASS

CONTAINER			INNER BOX	
Applied Package	Tube	Quantity (pcs) /tube	Dimension (mm) (WxHxL)	Quantity (pcs) /box
24 pin Plastic DIP	SC-600-1P	MAX. 14	125x85x515 130x150x510	MAX. 350 MAX. 700
24 pin Ceramic DIP (Cerdip)		MAX. 15	125x85x515 130x150x510	MAX. 375 MAX. 750
24 pin Ceramic DIP (Seam Weld)		MAX. 14	125x85x515 130x150x510	MAX. 350 MAX. 700
28 pin Plastic DIP		MAX. 13	125x85x515 130x150x510	MAX. 325 MAX. 650
28 pin Ceramic DIP (Cerdip/Seam Weld)		MAX. 12	125x85x515 130x150x510	MAX. 300 MAX. 600
32 pin Plastic DIP/Ceramic DIP (Cerdip)		MAX. 11	125x85x515 130x150x510	MAX. 275 MAX. 550
36 pin Plastic DIP		MAX. 10	125x85x515 130x150x510	MAX. 250 MAX. 500
40 pin Plastic DIP		MAX. 9	125x85x515 130x150x510	MAX. 225 MAX. 450
40 pin Plastic Shrink DIP		MAX. 12	125x85x515 130x150x510	MAX. 300 MAX. 600
40 pin Ceramic DIP (Cerdip/Seam Weld)		MAX. 9	125x85x515 130x150x510	MAX. 225 MAX. 450
42 pin Plastic DIP Ceramic DIP (Cerdip/Seam Weld)		MAX. 8	125x85x515 130x150x510	MAX. 200 MAX. 400
42 pin Plastic Shrink DIP		MAX. 12	125x85x515 130x150x510	MAX. 300 MAX. 600
48 pin Plastic DIP/Ceramic DIP (Seam Weld)		MAX. 7	125x85x515 130x150x510	MAX. 175 MAX. 350