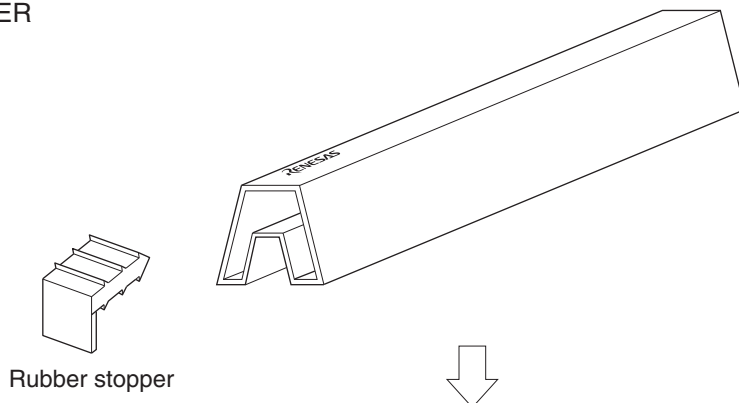
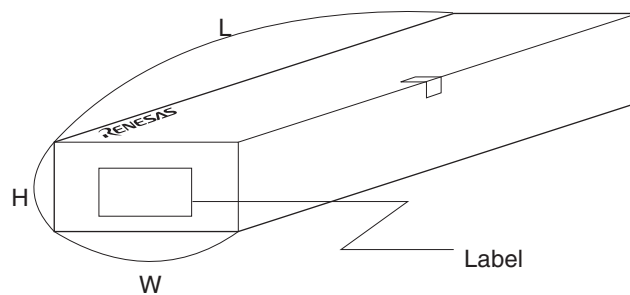


TUBE PACKING

1. CONTAINER



2. INNER BOX



LABEL POSITION	TOP OR SIDE OF BOX
LABEL	PRODUCT NAME, QUANTITY, LOT NUMBER, CLASS

CONTAINER			INNER BOX		
Applied Package	Tube	Quantity (pcs) /tube	Dimension (mm) (WxHxL)	Quantity (pcs) /box	Note
18-pin Plastic DIP	MD300-09A	MAX. 20	125x190x535 130x110x535	MAX. 2,000 MAX. 1,000	Packed in PE bag
20-pin Plastic DIP		MAX. 18	125x190x535 130x110x535	MAX. 1,800 MAX. 900	
22-pin Plastic DIP		MAX. 17	125x190x535 130x110x535	MAX. 1,700 MAX. 850	
24-pin Plastic DIP		MAX. 15	125x190x535 130x110x535	MAX. 1,500 MAX. 750	
28-pin Plastic DIP		MAX. 13	125x190x535 130x110x535	MAX. 1,300 MAX. 650	
32-pin Plastic DIP		MAX. 11	125x190x535 130x110x535	MAX. 1,100 MAX. 550	