

To our customers,

Old Company Name in Catalogs and Other Documents

On April 1st, 2010, NEC Electronics Corporation merged with Renesas Technology Corporation, and Renesas Electronics Corporation took over all the business of both companies. Therefore, although the old company name remains in this document, it is a valid Renesas Electronics document. We appreciate your understanding.

Renesas Electronics website: <http://www.renesas.com>

April 1st, 2010
Renesas Electronics Corporation

Issued by: Renesas Electronics Corporation (<http://www.renesas.com>)

Send any inquiries to <http://www.renesas.com/inquiry>.

Notice

1. All information included in this document is current as of the date this document is issued. Such information, however, is subject to change without any prior notice. Before purchasing or using any Renesas Electronics products listed herein, please confirm the latest product information with a Renesas Electronics sales office. Also, please pay regular and careful attention to additional and different information to be disclosed by Renesas Electronics such as that disclosed through our website.
2. Renesas Electronics does not assume any liability for infringement of patents, copyrights, or other intellectual property rights of third parties by or arising from the use of Renesas Electronics products or technical information described in this document. No license, express, implied or otherwise, is granted hereby under any patents, copyrights or other intellectual property rights of Renesas Electronics or others.
3. You should not alter, modify, copy, or otherwise misappropriate any Renesas Electronics product, whether in whole or in part.
4. Descriptions of circuits, software and other related information in this document are provided only to illustrate the operation of semiconductor products and application examples. You are fully responsible for the incorporation of these circuits, software, and information in the design of your equipment. Renesas Electronics assumes no responsibility for any losses incurred by you or third parties arising from the use of these circuits, software, or information.
5. When exporting the products or technology described in this document, you should comply with the applicable export control laws and regulations and follow the procedures required by such laws and regulations. You should not use Renesas Electronics products or the technology described in this document for any purpose relating to military applications or use by the military, including but not limited to the development of weapons of mass destruction. Renesas Electronics products and technology may not be used for or incorporated into any products or systems whose manufacture, use, or sale is prohibited under any applicable domestic or foreign laws or regulations.
6. Renesas Electronics has used reasonable care in preparing the information included in this document, but Renesas Electronics does not warrant that such information is error free. Renesas Electronics assumes no liability whatsoever for any damages incurred by you resulting from errors in or omissions from the information included herein.
7. Renesas Electronics products are classified according to the following three quality grades: “Standard”, “High Quality”, and “Specific”. The recommended applications for each Renesas Electronics product depends on the product’s quality grade, as indicated below. You must check the quality grade of each Renesas Electronics product before using it in a particular application. You may not use any Renesas Electronics product for any application categorized as “Specific” without the prior written consent of Renesas Electronics. Further, you may not use any Renesas Electronics product for any application for which it is not intended without the prior written consent of Renesas Electronics. Renesas Electronics shall not be in any way liable for any damages or losses incurred by you or third parties arising from the use of any Renesas Electronics product for an application categorized as “Specific” or for which the product is not intended where you have failed to obtain the prior written consent of Renesas Electronics. The quality grade of each Renesas Electronics product is “Standard” unless otherwise expressly specified in a Renesas Electronics data sheets or data books, etc.
 - “Standard”: Computers; office equipment; communications equipment; test and measurement equipment; audio and visual equipment; home electronic appliances; machine tools; personal electronic equipment; and industrial robots.
 - “High Quality”: Transportation equipment (automobiles, trains, ships, etc.); traffic control systems; anti-disaster systems; anti-crime systems; safety equipment; and medical equipment not specifically designed for life support.
 - “Specific”: Aircraft; aerospace equipment; submersible repeaters; nuclear reactor control systems; medical equipment or systems for life support (e.g. artificial life support devices or systems), surgical implantations, or healthcare intervention (e.g. excision, etc.), and any other applications or purposes that pose a direct threat to human life.
8. You should use the Renesas Electronics products described in this document within the range specified by Renesas Electronics, especially with respect to the maximum rating, operating supply voltage range, movement power voltage range, heat radiation characteristics, installation and other product characteristics. Renesas Electronics shall have no liability for malfunctions or damages arising out of the use of Renesas Electronics products beyond such specified ranges.
9. Although Renesas Electronics endeavors to improve the quality and reliability of its products, semiconductor products have specific characteristics such as the occurrence of failure at a certain rate and malfunctions under certain use conditions. Further, Renesas Electronics products are not subject to radiation resistance design. Please be sure to implement safety measures to guard them against the possibility of physical injury, and injury or damage caused by fire in the event of the failure of a Renesas Electronics product, such as safety design for hardware and software including but not limited to redundancy, fire control and malfunction prevention, appropriate treatment for aging degradation or any other appropriate measures. Because the evaluation of microcomputer software alone is very difficult, please evaluate the safety of the final products or system manufactured by you.
10. Please contact a Renesas Electronics sales office for details as to environmental matters such as the environmental compatibility of each Renesas Electronics product. Please use Renesas Electronics products in compliance with all applicable laws and regulations that regulate the inclusion or use of controlled substances, including without limitation, the EU RoHS Directive. Renesas Electronics assumes no liability for damages or losses occurring as a result of your noncompliance with applicable laws and regulations.
11. This document may not be reproduced or duplicated, in any form, in whole or in part, without prior written consent of Renesas Electronics.
12. Please contact a Renesas Electronics sales office if you have any questions regarding the information contained in this document or Renesas Electronics products, or if you have any other inquiries.

(Note 1) “Renesas Electronics” as used in this document means Renesas Electronics Corporation and also includes its majority-owned subsidiaries.

(Note 2) “Renesas Electronics product(s)” means any product developed or manufactured by or for Renesas Electronics.

To all our customers

Regarding the change of names mentioned in the document, such as Mitsubishi Electric and Mitsubishi XX, to Renesas Technology Corp.

The semiconductor operations of Hitachi and Mitsubishi Electric were transferred to Renesas Technology Corporation on April 1st 2003. These operations include microcomputer, logic, analog and discrete devices, and memory chips other than DRAMs (flash memory, SRAMs etc.) Accordingly, although Mitsubishi Electric, Mitsubishi Electric Corporation, Mitsubishi Semiconductors, and other Mitsubishi brand names are mentioned in the document, these names have in fact all been changed to Renesas Technology Corp. Thank you for your understanding. Except for our corporate trademark, logo and corporate statement, no changes whatsoever have been made to the contents of the document, and these changes do not constitute any alteration to the contents of the document itself.

Note : Mitsubishi Electric will continue the business operations of high frequency & optical devices and power devices.

Renesas Technology Corp.
Customer Support Dept.
April 1, 2003

DESCRIPTION

The 38C8 group is the 8-bit microcomputer based on the 740 family core technology.

The 38C8 group has a LCD drive control circuit (bias control, time sharing control), a 10-bit A-D converter, and a Serial I/O as additional functions.

The various microcomputers in the 38C8 group include variations of internal memory type and packaging. For details, refer to the section on part numbering.

FEATURES

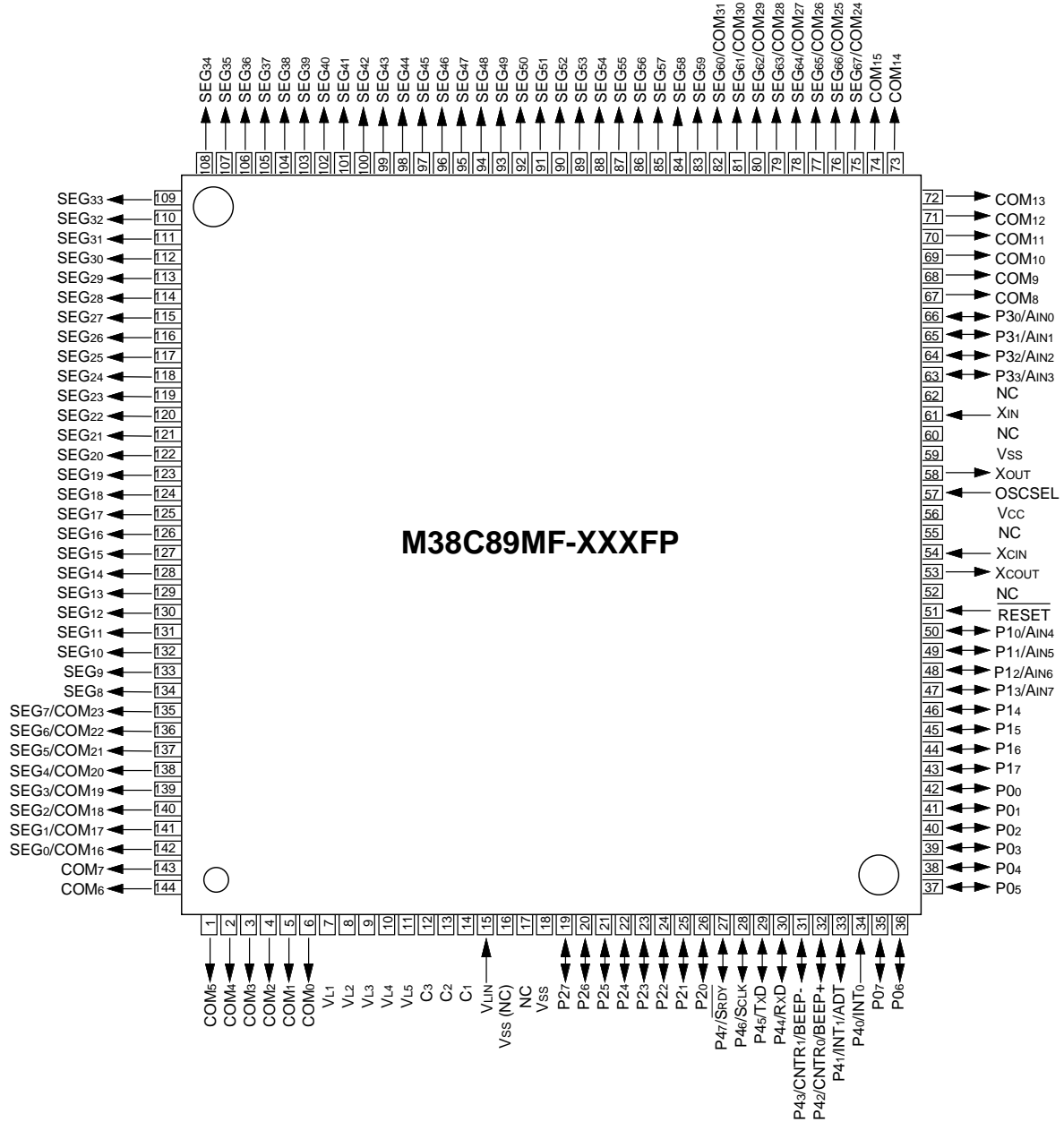
- Basic machine-language instructions 71
- The minimum instruction execution time 0.5 μs
 (at 8 MHz oscillation frequency)
- Memory size
 - ROM 60 K bytes
 - RAM 2048 bytes
- Programmable input/output ports 35
- Software pull-up resistors
 - Ports P0–P3, P41–P47
- Interrupts 14 sources, 14 vectors
 (includes key input interrupt)
- Timers 8-bit X 3, 16-bit X 2
- Serial I/O 8-bit X 1 (UART or Clock-synchronized)
- A-D converter (32 kHz operating available) ... 10-bit X 8 channels

- LCD drive control circuit
 - Bias 1/5, 1/7
 - Duty 1/16, 1/32
 - Common output 16 or 32
 - Segment output 52 or 68
- Main clock generating circuit (RC oscillation selectable)
 - (connect to external ceramic resonator or resistor)
- Sub-clock generating circuit
 - (connect to external quartz-crystal oscillator)
- Power source voltage
 - In high-speed mode 4.0 to 5.5 V
 - In middle-speed mode 2.2 to 5.5 V
 - In low-speed mode 2.2 to 5.5 V
- Power dissipation
 - In high-speed mode 30 mW
 (at 8 MHz oscillation frequency, at 5 V power source voltage)
 - In low-speed mode 60 μW
 (at 32 kHz oscillation frequency, at 3 V power source voltage, at WIT state, at voltage multiplier operating, LCD drive waveform generating state)
- Operating temperature range – 20 to 85°C

APPLICATIONS

Dot-matrix-type LCD displays

PIN CONFIGURATION (TOP VIEW)

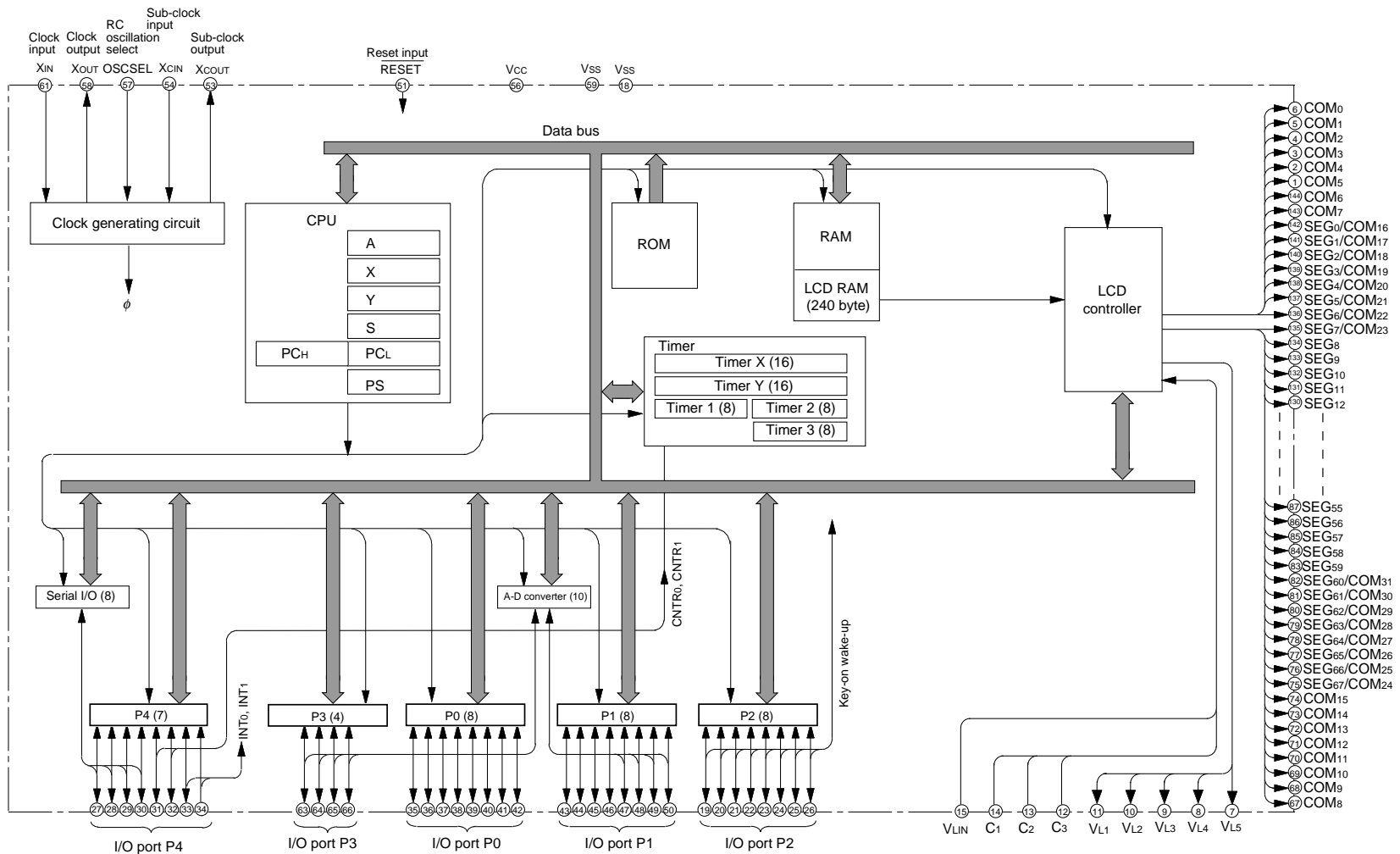


Package type : 144P6Q-A

Fig. 1 M38C89MF-XXXFP pin configuration

Fig. 2 Functional block diagram

FUNCTIONAL BLOCK DIAGRAM (Package: 144P6Q-A)



SINGLE-CHIP 8-BIT CMOS MICROCOMPUTER

MITSUBISHI MICROCOMPUTERS
38C8 Group

PIN DESCRIPTION

Table 1 Pin description

| Pin | Name | Function | | |
|--|-------------------------------|---|----------------------------------|---|
| | | | Function except a port function | |
| VCC, VSS | Power source | • Apply voltage of 4.0–5.5 V to VCC, and 0 V to VSS. (at high-speed mode) | | |
| RESET | Reset input | • Reset input pin for active “L.” | | |
| XIN | Clock input | <ul style="list-style-type: none"> • Input and output pins for the main clock generating circuit. • Feedback resistor is built in between XIN pin and XOUT pin. • Connect a ceramic resonator or a quartz-crystal oscillator between the XIN and XOUT pins to set the oscillation frequency. • If an external clock is used, connect the clock source to the XIN pin and leave the XOUT pin open. | | |
| XOUT | Clock output | | | |
| OSCSEL | RC oscillation select | • This pin determines the oscillation between XIN and XOUT. The oscillation method can be selected from either by an oscillator or by a resistor. | | |
| XCIN | Sub-clock input | • Input and output pins for sub-clock generating circuit. (Connect a quartz-crystal oscillator between the XCIN and XCOU pins to set the oscillation frequency. The clock generated the externals cannot be input directly.) | | |
| XCOU | Sub-clock output | | | |
| VLIN | Power source input for LCD | <ul style="list-style-type: none"> • Reference voltage input pin for LCD. • The input voltage to this pin is boosted threefold by voltage multiplier. | | |
| VL1 – VL5 | LCD power source | • LCD drive power source pins. | | |
| COM0 – COM15 | Common output | • LCD common output pins. | | |
| SEG0/COM16–SEG7/COM23, SEG60/COM31–SEG67/COM24 | Segment output/ Common output | • LCD segment/common output pins. | | |
| SEG8–SEG59 | Segment output | • LCD segment output pins. | | |
| P00–P07 | I/O port P0 | • 8-bit I/O port. | | |
| P14–P17 | I/O port P1 | <ul style="list-style-type: none"> • CMOS compatible input level. • CMOS 3-state output structure. | | |
| P10/AIN4–P13/AIN7 | | | | • A-D converter analog input pin |
| P20–P27 | I/O port P2 | • Key-on wake-up interrupt input pin | | |
| P30/AIN0 – P33/AIN3 | I/O port P3 | <ul style="list-style-type: none"> • 4-bit I/O port. • CMOS compatible input level. • CMOS 3-state output structure. | • A-D converter analog input pin | |
| P40/INT0 | Input port P4 | <ul style="list-style-type: none"> • 1-bit input port. • CMOS compatible input level. | • External interrupt pin | |
| P41/INT1/ADT | I/O port P4 | <ul style="list-style-type: none"> • 7-bit I/O port. • CMOS compatible input level. • CMOS 3-state output structure. • I/O direction register allows each pin to be individually programmed as either input or output. | | |
| P42/CNTR0/ BEEP+, P43/CNTR1/ BEEP- | | | | <ul style="list-style-type: none"> • External interrupt pin • A-D trigger input pin • Timer function I/O pin |
| P44/RxD, P45/TxD, P46/SCLK, P47/SRDY | | | | • Serial I/O I/O pin |
| C1, C2, C3 | Voltage multiplier | • External capacitor connect pins for a voltage multiplier of LCD. | | |
| Vss (NC), NC | | <ul style="list-style-type: none"> • Non-function pins. • Leave the Vss (NC) pin open. | | |

PART NUMBERING

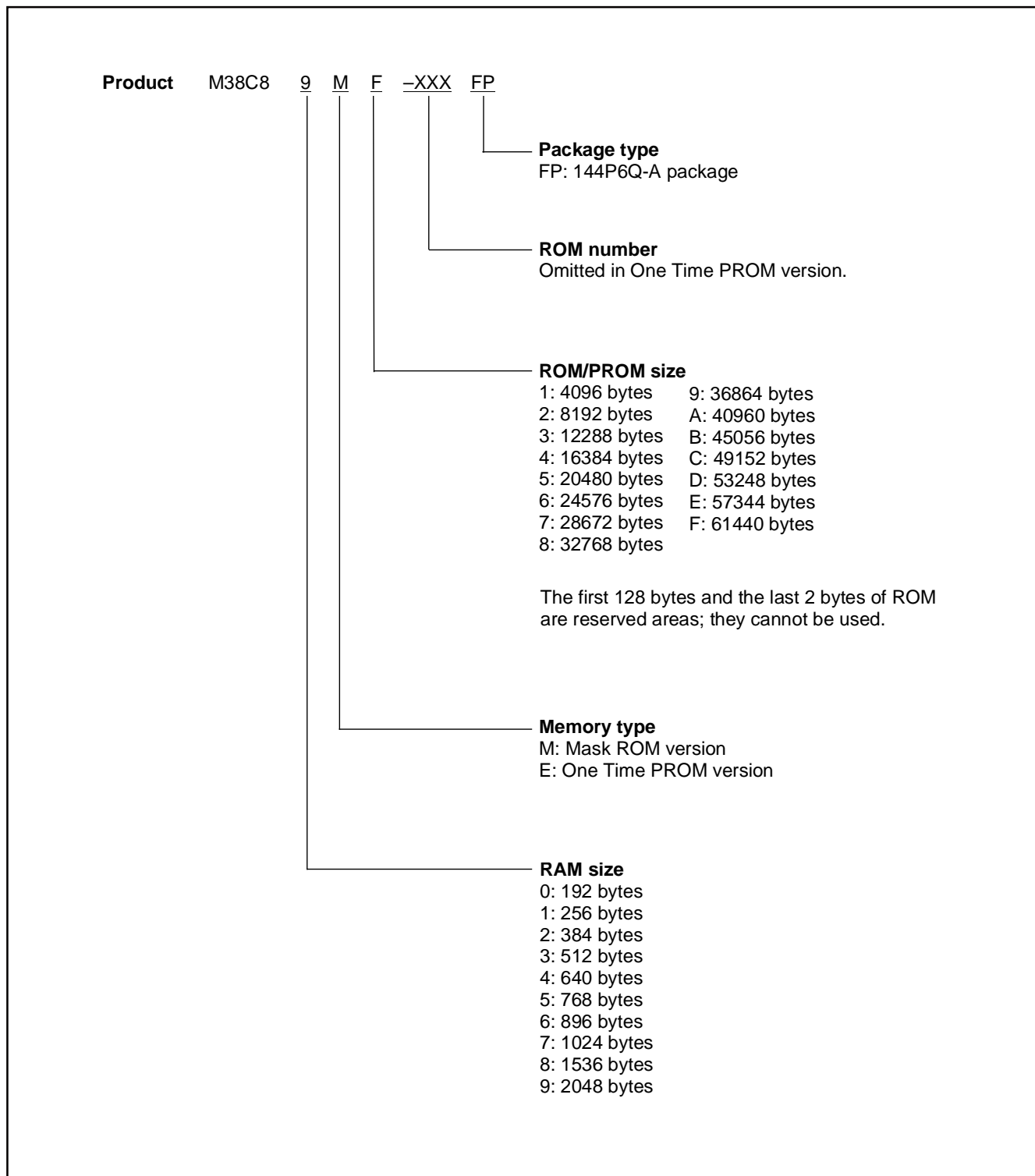


Fig. 3 Part numbering

38C8 Group

SINGLE-CHIP 8-BIT CMOS MICROCOMPUTER

GROUP EXPANSION

Mitsubishi plans to expand the 38C8 group as follows.

Packages

144P6Q-A 0.5 mm-pitch plastic molded QFP

Memory Type

Support for mask ROM and One Time PROM versions

Memory Size

ROM/PROM size 60 K bytes

RAM size 2048 bytes

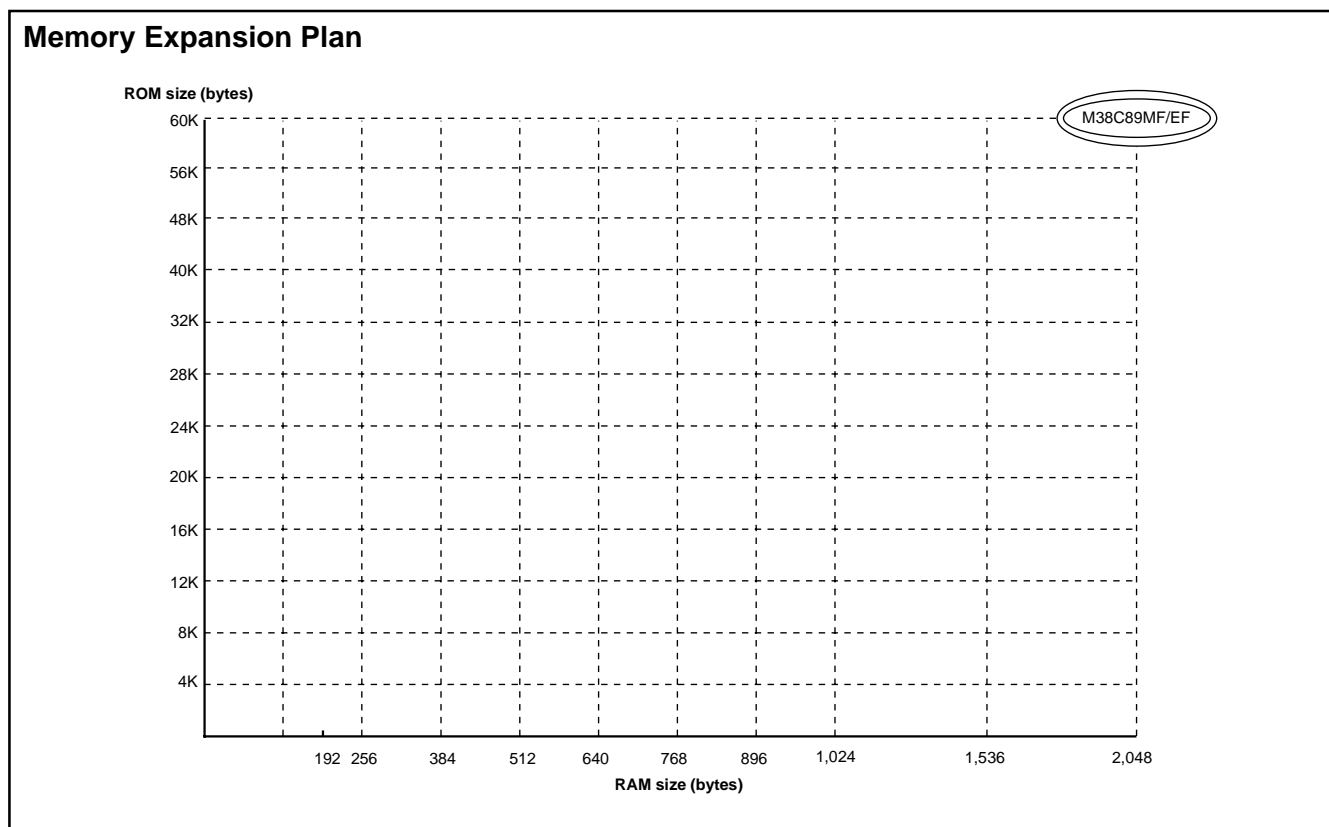


Fig. 4 Memory expansion plan

Currently products are listed below.

Table 2 List of products

| Product name | (P) ROM size (bytes) ROM size for User in () | RAM size (bytes) | Package | Remarks |
|----------------|--|------------------|----------|-----------------------|
| M38C89MF-XXXFP | 61440 (61310) | 2048 | 144P6Q-A | Mask ROM version |
| M38C89EFFP | 61440 (61310) | 2048 | 144P6Q-A | One Time PROM version |

**FUNCTIONAL DESCRIPTION
CENTRAL PROCESSING UNIT (CPU)**

The 38C8 group uses the standard 740 family instruction set. Refer to the table of 740 family addressing modes and machine instructions or the 740 Family Software Manual for details on the instruction set.

Machine-resident 740 family instructions are as follows:

The FST and SLW instruction cannot be used.

The STP, WIT, MUL, and DIV instruction can be used.

[Accumulator (A)]

The accumulator is an 8-bit register. Data operations such as data transfer, etc., are executed mainly through the accumulator.

[Index Register X (X)]

The index register X is an 8-bit register. In the index addressing modes, the value of the OPERAND is added to the contents of register X and specifies the real address.

[Index Register Y (Y)]

The index register Y is an 8-bit register. In partial instruction, the value of the OPERAND is added to the contents of register Y and specifies the real address.

[Stack Pointer (S)]

The stack pointer is an 8-bit register used during subroutine calls and interrupts. This register indicates start address of stored area (stack) for storing registers during subroutine calls and interrupts.

The low-order 8 bits of the stack address are determined by the contents of the stack pointer. The high-order 8 bits of the stack address are determined by the stack page selection bit. If the stack page selection bit is "0", the high-order 8 bits becomes "0016". If the stack page selection bit is "1", the high-order 8 bits becomes "0116".

The operations of pushing register contents onto the stack and popping them from the stack are shown in Figure 6.

Store registers other than those described in Figure 6 with program when the user needs them during interrupts or subroutine calls.

[Program Counter (PC)]

The program counter is a 16-bit counter consisting of two 8-bit registers PCH and PCL. It is used to indicate the address of the next instruction to be executed.

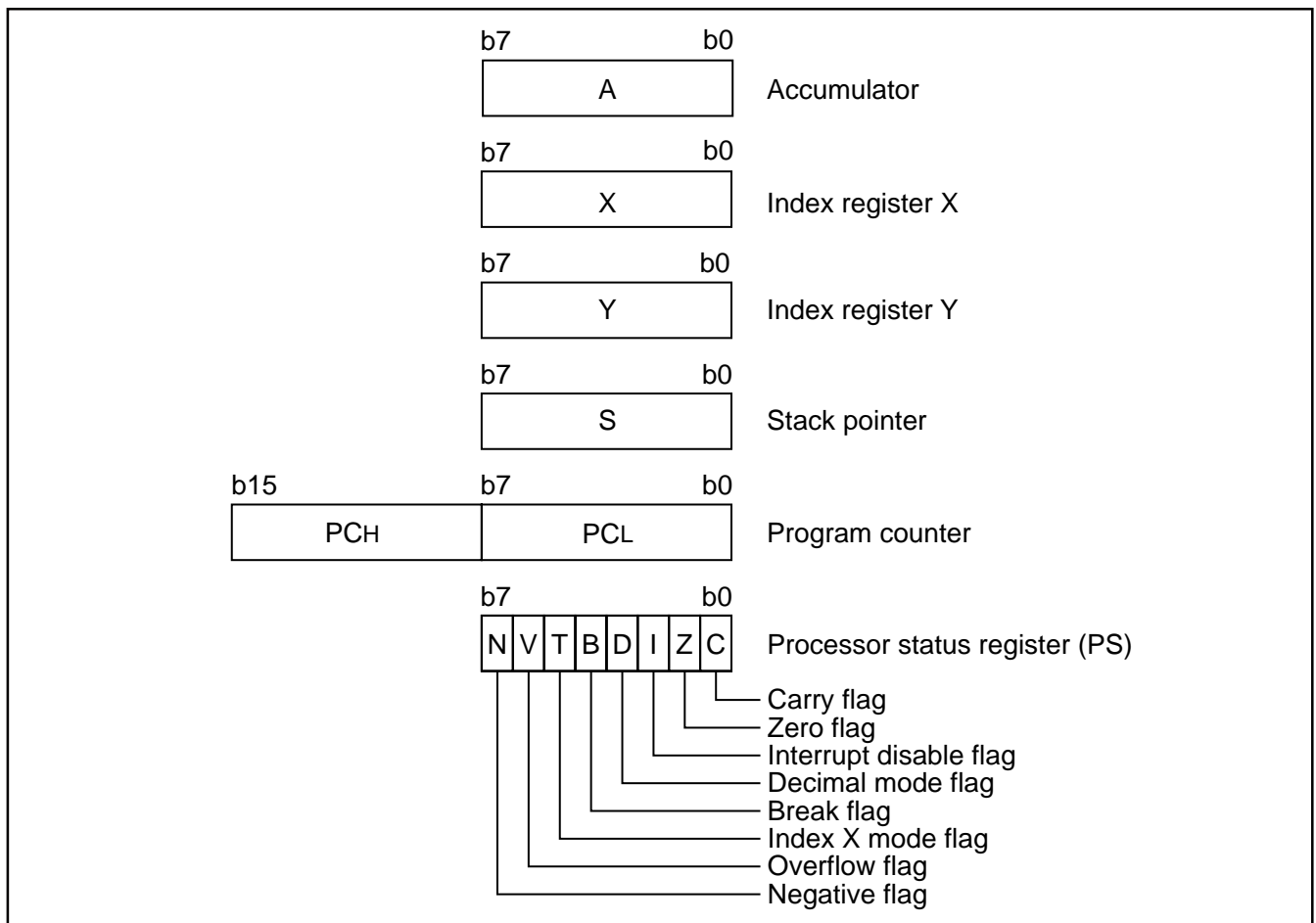


Fig. 5 740 Family CPU register structure

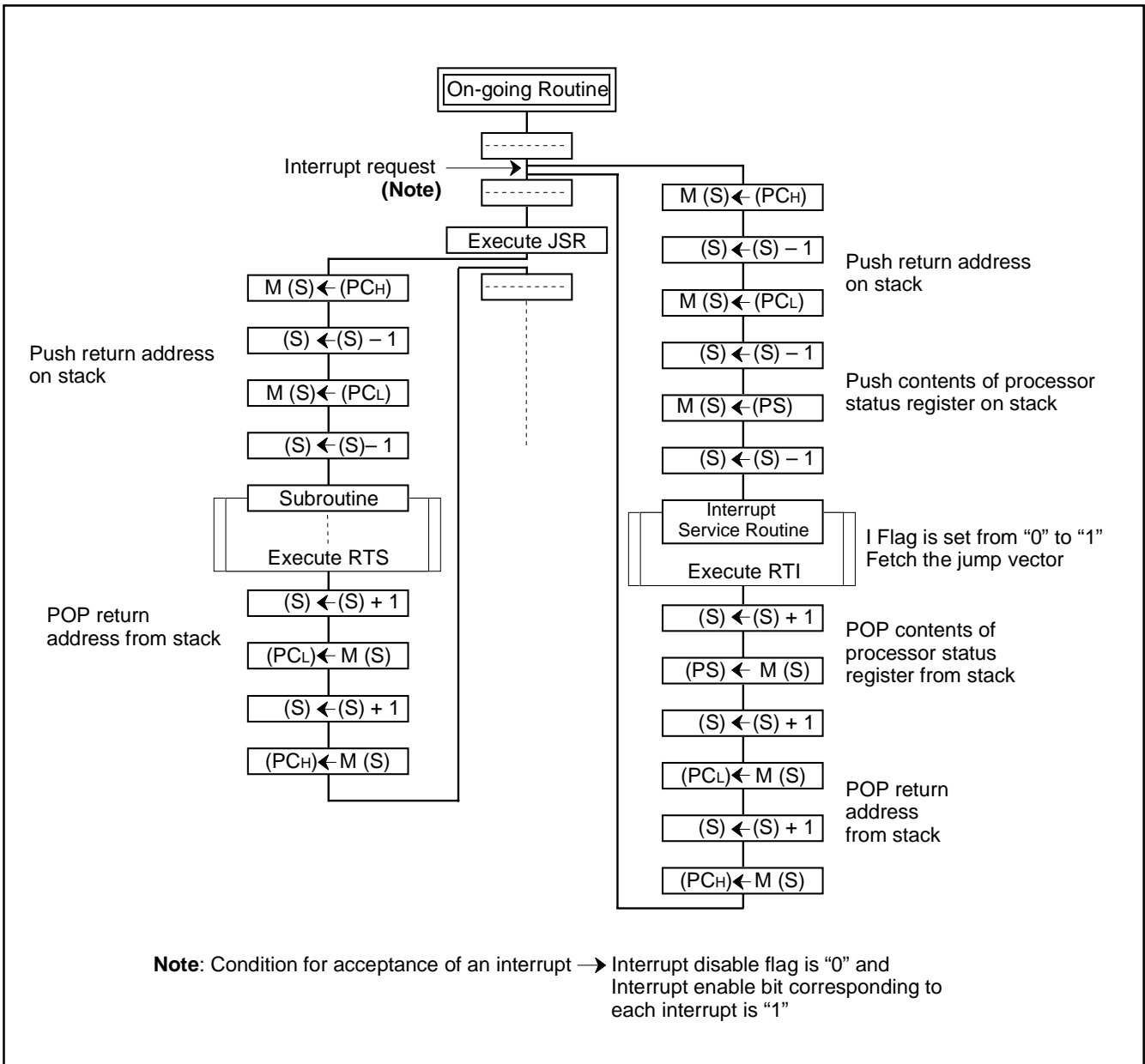


Fig. 6 Register push and pop at interrupt generation and subroutine call

Table 3 Push and pop instructions of accumulator or processor status register

| | Push instruction to stack | Pop instruction from stack |
|---------------------------|---------------------------|----------------------------|
| Accumulator | PHA | PLA |
| Processor status register | PHP | PLP |

[Processor status register (PS)]

The processor status register is an 8-bit register consisting of 5 flags which indicate the status of the processor after an arithmetic operation and 3 flags which decide MCU operation. Branch operations can be performed by testing the Carry (C) flag, Zero (Z) flag, Overflow (V) flag, or the Negative (N) flag. In decimal mode, the Z, V, N flags are not valid.

•Bit 0: Carry flag (C)

The C flag contains a carry or borrow generated by the arithmetic logic unit (ALU) immediately after an arithmetic operation. It can also be changed by a shift or rotate instruction.

•Bit 1: Zero flag (Z)

The Z flag is set if the result of an immediate arithmetic operation or a data transfer is "0", and cleared if the result is anything other than "0".

•Bit 2: Interrupt disable flag (I)

The I flag disables all interrupts except for the interrupt generated by the BRK instruction.

Interrupts are disabled when the I flag is "1".

•Bit 3: Decimal mode flag (D)

The D flag determines whether additions and subtractions are executed in binary or decimal. Binary arithmetic is executed when this flag is "0"; decimal arithmetic is executed when it is "1". Decimal correction is automatic in decimal mode. Only the ADC and SBC instructions can be used for decimal arithmetic.

•Bit 4: Break flag (B)

The B flag is used to indicate that the current interrupt was generated by the BRK instruction. The BRK flag in the processor status register is always "0". When the BRK instruction is used to generate an interrupt, the processor status register is pushed onto the stack with the break flag set to "1".

•Bit 5: Index X mode flag (T)

When the T flag is "0", arithmetic operations are performed between accumulator and memory. When the T flag is "1", direct arithmetic operations and direct data transfers are enabled between memory locations.

•Bit 6: Overflow flag (V)

The V flag is used during the addition or subtraction of one byte of signed data. It is set if the result exceeds +127 to -128. When the BIT instruction is executed, bit 6 of the memory location operated on by the BIT instruction is stored in the overflow flag.

•Bit 7: Negative flag (N)

The N flag is set if the result of an arithmetic operation or data transfer is negative. When the BIT instruction is executed, bit 7 of the memory location operated on by the BIT instruction is stored in the negative flag.

Table 4 Set and clear instructions of each bit of processor status register

| | C flag | Z flag | I flag | D flag | B flag | T flag | V flag | N flag |
|-------------------|--------|--------|--------|--------|--------|--------|--------|--------|
| Set instruction | SEC | – | SEI | SED | – | SET | – | – |
| Clear instruction | CLC | – | CLI | CLD | – | CLT | CLV | – |

[CPU Mode Register (CPUM)] 003B16

The CPU mode register contains the stack page selection bit and the internal system clock selection bit.

The CPU mode register is allocated at address 003B16.

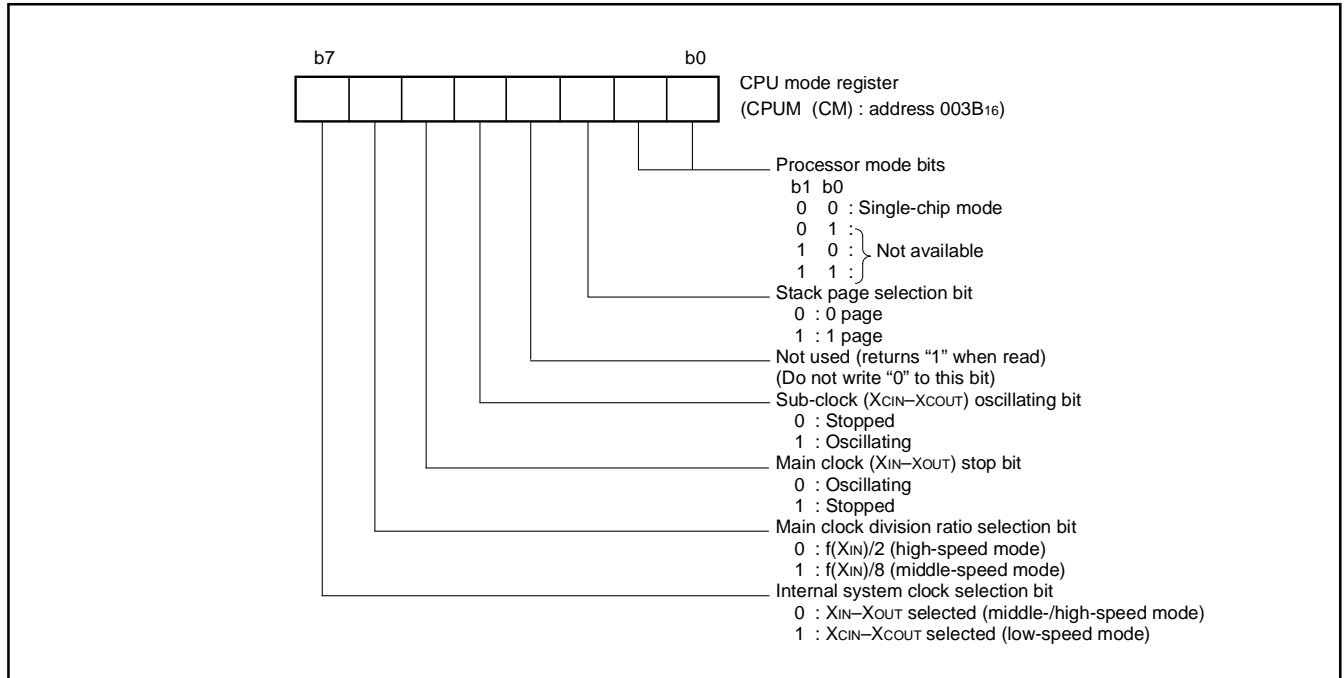


Fig. 7 Structure of CPU mode register

MEMORY

Special Function Register (SFR) Area

The Special Function Register area in the zero page contains control registers such as I/O ports and timers.

RAM

RAM is used for data storage and for stack area of subroutine calls and interrupts.

ROM

The first 128 bytes and the last 2 bytes of ROM are reserved for device testing and the rest is user area for storing programs.

Interrupt Vector Area

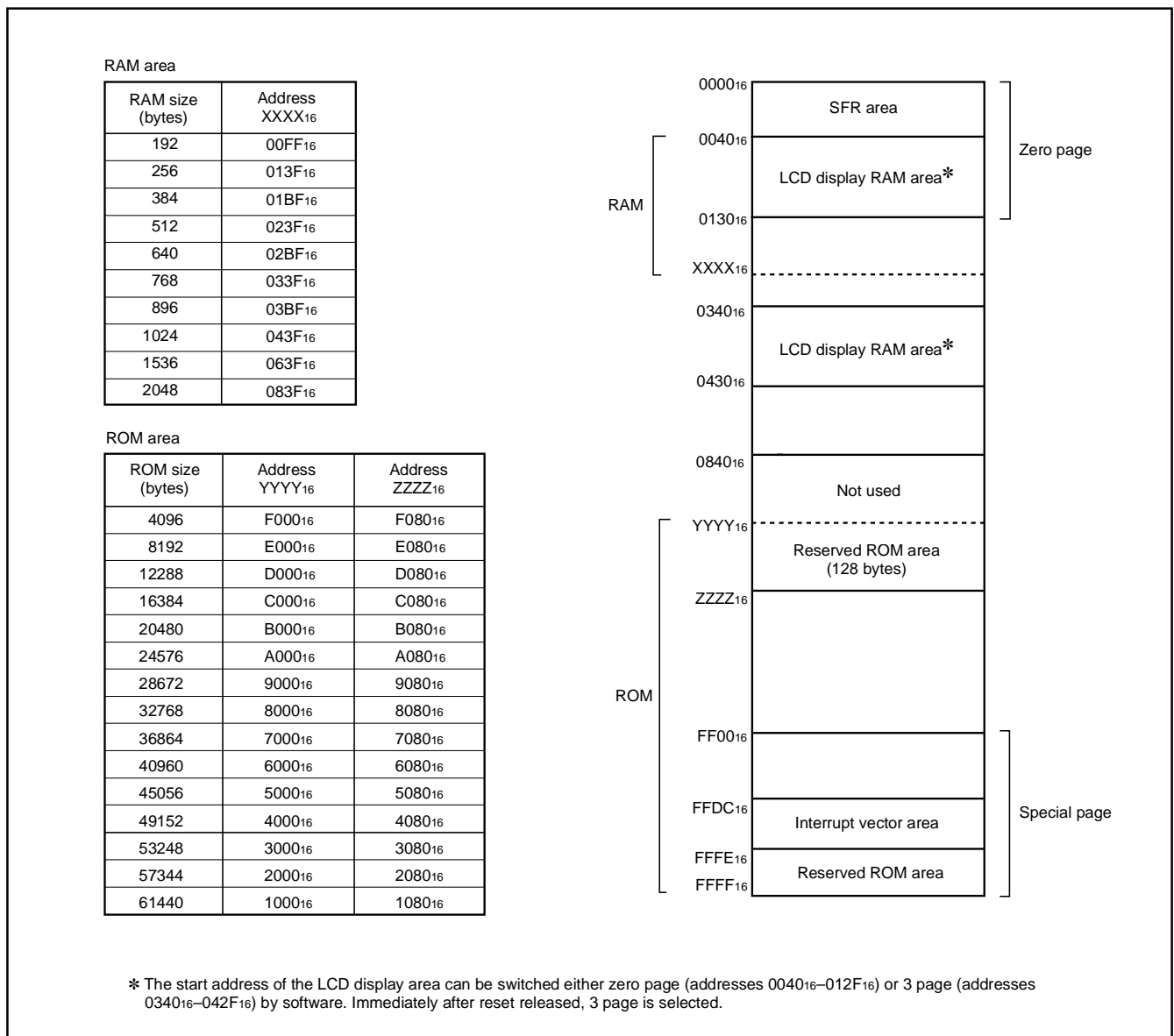
The interrupt vector area contains reset and interrupt vectors.

Zero Page

Access to this area with only 2 bytes is possible in the zero page addressing mode.

Special Page

Access to this area with only 2 bytes is possible in the special page addressing mode.



* The start address of the LCD display area can be switched either zero page (addresses 0040₁₆–012F₁₆) or 3 page (addresses 0340₁₆–042F₁₆) by software. Immediately after reset released, 3 page is selected.

Fig. 8 Memory map diagram

| | | | |
|--------------------|--|--------------------|---|
| 0000 ₁₆ | Port P0 (P0) | 0020 ₁₆ | Timer X (low-order) (TXL) |
| 0001 ₁₆ | Port P0 direction register (P0D) | 0021 ₁₆ | Timer X (high-order) (TXH) |
| 0002 ₁₆ | Port P1 (P1) | 0022 ₁₆ | Timer Y (low-order) (TYL) |
| 0003 ₁₆ | Port P1 direction register (P1D) | 0023 ₁₆ | Timer Y (high-order) (TYH) |
| 0004 ₁₆ | Port P2 (P2) | 0024 ₁₆ | Timer 1 (T1) |
| 0005 ₁₆ | Port P2 direction register (P2D) | 0025 ₁₆ | Timer 2 (T2) |
| 0006 ₁₆ | Port P3 (P3) | 0026 ₁₆ | Timer 3 (T3) |
| 0007 ₁₆ | Port P3 direction register (P3D) | 0027 ₁₆ | Timer X mode register (TXM) |
| 0008 ₁₆ | Port P4 (P4) | 0028 ₁₆ | Timer Y mode register (TYM) |
| 0009 ₁₆ | Port P4 direction register (P4D) | 0029 ₁₆ | Timer 123 mode register (T123M) |
| 000A ₁₆ | | 002A ₁₆ | |
| 000B ₁₆ | | 002B ₁₆ | |
| 000C ₁₆ | | 002C ₁₆ | |
| 000D ₁₆ | | 002D ₁₆ | |
| 000E ₁₆ | | 002E ₁₆ | |
| 000F ₁₆ | | 002F ₁₆ | |
| 0010 ₁₆ | | 0030 ₁₆ | |
| 0011 ₁₆ | | 0031 ₁₆ | A-D control register (ADCON) |
| 0012 ₁₆ | | 0032 ₁₆ | A-D conversion register (low-order) (ADL) |
| 0013 ₁₆ | | 0033 ₁₆ | A-D conversion register (high-order) (ADH) |
| 0014 ₁₆ | | 0034 ₁₆ | |
| 0015 ₁₆ | | 0035 ₁₆ | |
| 0016 ₁₆ | PULL register A (PULLA) | 0036 ₁₆ | |
| 0017 ₁₆ | PULL register B (PULLB) | 0037 ₁₆ | LCD control register 1 (LC1) |
| 0018 ₁₆ | Transmit/Receive buffer register (TB/RB) | 0038 ₁₆ | LCD control register 2 (LC2) |
| 0019 ₁₆ | Serial I/O status register (SIOS _T S) | 0039 ₁₆ | LCD mode register (LM) |
| 001A ₁₆ | Serial I/O control register (SIOCON) | 003A ₁₆ | Interrupt edge selection register (INTEDGE) |
| 001B ₁₆ | UART control register (UARTCON) | 003B ₁₆ | CPU mode register (CPUM) |
| 001C ₁₆ | Baud rate generator (BRG) | 003C ₁₆ | Interrupt request register 1 (IREQ1) |
| 001D ₁₆ | | 003D ₁₆ | Interrupt request register 2 (IREQ2) |
| 001E ₁₆ | | 003E ₁₆ | Interrupt control register 1 (ICON1) |
| 001F ₁₆ | | 003F ₁₆ | Interrupt control register 2 (ICON2) |

Fig. 9 Memory map of special function register (SFR)

I/O PORTS
[Direction Registers]

The I/O ports P0–P3 and P41–P47 have direction registers which determine the input/output direction of each individual pin. Each bit in a direction register corresponds to one pin, each pin can be set to be input port or output port.

When “0” is written to the bit corresponding to a pin, that pin becomes an input pin. When “1” is written to that bit, that pin becomes an output pin.

If data is read from a pin set to output, the value of the port output latch is read, not the value of the pin itself. Pins set to input are floating. If a pin set to input is written to, only the port output latch is written to and the pin remains floating.

Pull-up Control

By setting the PULL register A (address 0016₁₆) or the PULL register B (address 0017₁₆), ports P0 to P4 except for port P40 can control pull-up with a program.

However, the contents of PULL register A and PULL register B do not affect ports programmed as the output ports.

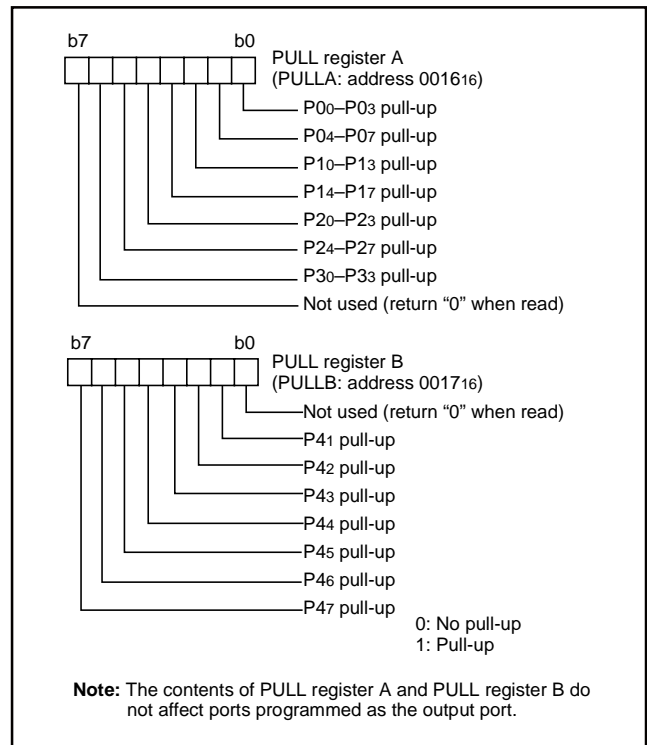


Fig. 10 Structure of PULL register A and PULL register B

Table 5 List of I/O port function

| Pin | Name | Input/Output | I/O format | Non-port function | Related SFRs | Ref. No. |
|---|--------------------|----------------------------------|---|--|---|----------|
| P00–P07 | Port P0 | Input/Output, individual bits | CMOS compatible input level CMOS 3-state output | | PULL register A | (1) |
| P10/AIN4– P13/AIN7 | Port P1 | | | A-D converter input | PULL register A A-D control register | (2) |
| P14–P17 | | | | | PULL register A | (1) |
| P20–P27 | Port P2 | Input/Output, individual bits | CMOS compatible input level CMOS 3-state output | Key input (key-on wake-up) interrupt in- put | PULL register A Interrupt control register 2 | (1) |
| P30/AIN0– P33/AIN3 | Port P3 | Input/Output, individual bits | CMOS compatible input level CMOS 3-state output | A-D converter input | PULL register A A-D control register | (2) |
| P40/INT0 | Port P4 | Input | CMOS compatible input level | External interrupt in- put | PULL register B Interrupt edge select register | (3) |
| P41/INT1/ADT | | Input/Output, individual bits | CMOS compatible input level CMOS 3-state output | | | (1) |
| P42/CNTR0/ BEEP+ | | | | Timer X function I/O | PULL register B Timer X mode register | (4) |
| P43/CNTR1/ BEEP- | | | | Timer Y function I/O | PULL register B Timer Y mode register | (5) |
| P44/RxD | | | | Serial I/O funtion I/O | PULL register B Serial I/O control register Serial I/O status register UART control register | (6) |
| P45/TxD | | | | | | (7) |
| P46/SCLK | | | | | | (8) |
| P47/SRDY | | | | | | (9) |
| COM0–COM7, COM8–COM15 | Common | Output | LCD common output | | LCD mode register | |
| SEG0/COM16– SEG7/COM23, SEG60/COM31– SEG67/COM24 | Segment/ Common | | LCD segment output LCD common output | | | |
| SEG8–SEG59 | Segment | | LCD segment output | | | |

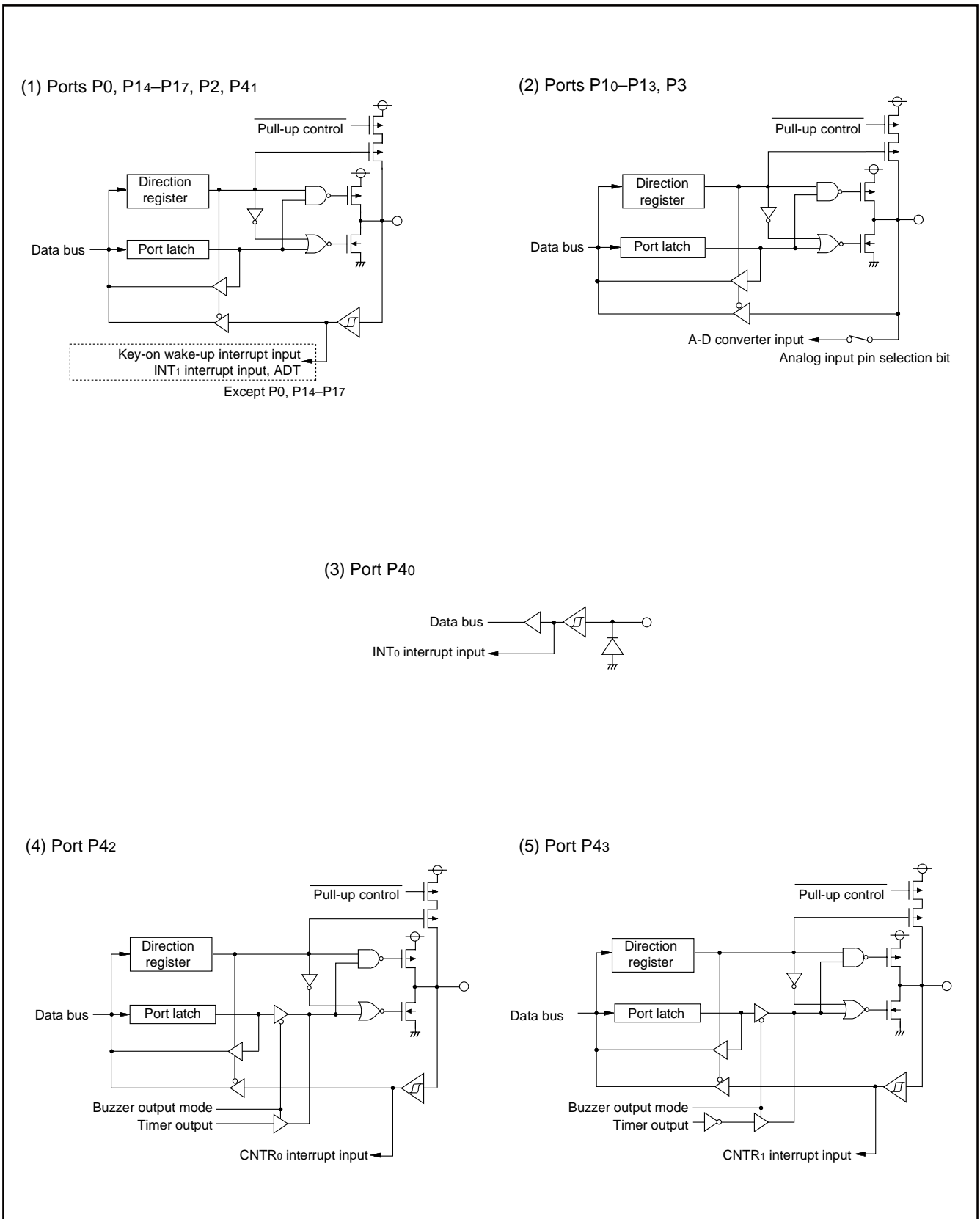
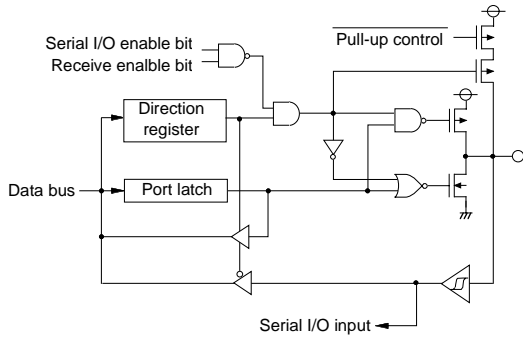
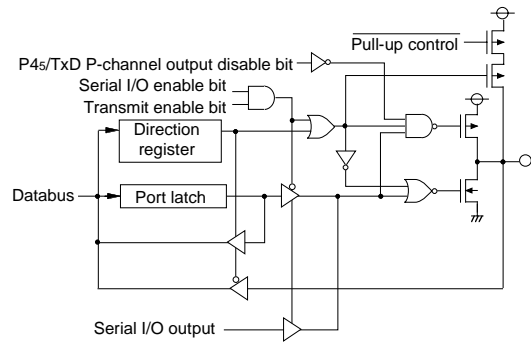


Fig. 11 Port block diagram (1)

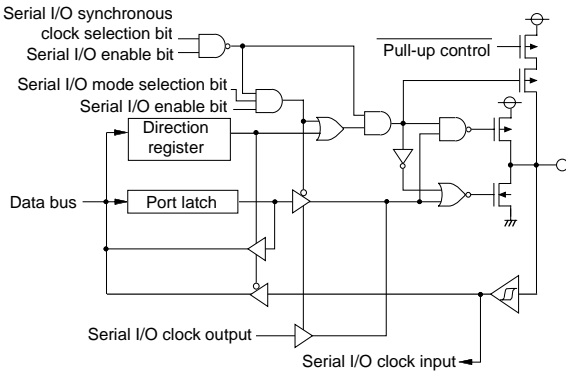
(6) Port P44



(7) Port P45



(8) Port P46



(9) Port P47

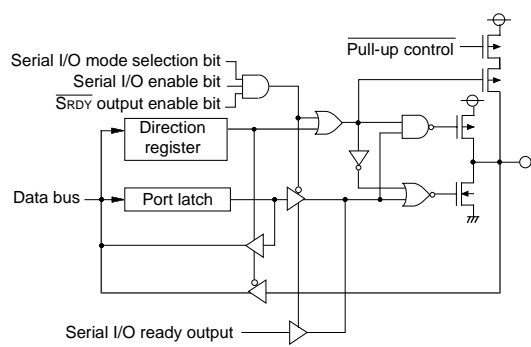


Fig. 12 Port block diagram (2)

INTERRUPTS

Interrupts occur by fourteen sources: five external, eight internal, and one software.

Interrupt Control

Each interrupt except the BRK instruction interrupt have both an interrupt request bit and an interrupt enable bit, and is controlled by the interrupt disable flag. An interrupt occurs if the corresponding interrupt request and enable bits are "1" and the interrupt disable flag is "0".

Interrupt enable bits can be set or cleared by software. Interrupt request bits can be cleared by software, but cannot be set by software. The BRK instruction interrupt and reset cannot be disabled with any flag or bit. The I flag disables all interrupts except the BRK instruction interrupt and reset. If several interrupts requests occurs at the same time the interrupt with highest priority is accepted first.

Interrupt Operation

By acceptance of an interrupt, the following operations are automatically performed:

1. The contents of the program counter and processor status register are automatically pushed onto the stack.
2. The interrupt disable flag is set and the corresponding interrupt request bit is cleared.
3. The interrupt jump destination address is read from the vector table into the program counter.

■Notes on interrupts

When setting the followings, the interrupt request bit may be set to "1".

- When setting external interrupt active edge
 Related register: Interrupt edge selection register (address 3A₁₆)
 Timer X mode register (address 27₁₆)
 Timer Y mode register (address 28₁₆)
- When switching interrupt sources of an interrupt vector address where two or more interrupt sources are allocated
 Related register: A-D control register (address 31₁₆)

When not requiring for the interrupt occurrence synchronized with these setting, take the following sequence.

- ①Set the corresponding interrupt enable bit to "0" (disabled).
- ②Set the interrupt edge select bit (active edge switch bit) or the interrupt source select bit to "1".
- ③Set the corresponding interrupt request bit to "0" after 1 or more instructions have been executed.
- ④Set the corresponding interrupt enable bit to "1" (enabled).

Table 6 Interrupt vector addresses and priority

| Interrupt Source | Priority | Vector Addresses (Note 1) | | Interrupt Request Generating Conditions | Remarks |
|----------------------------|----------|---------------------------|--------------------|---|---|
| | | High | Low | | |
| Reset (Note 2) | 1 | FFFD ₁₆ | FFFC ₁₆ | At reset | Non-maskable |
| INT ₀ | 2 | FFFB ₁₆ | FFFA ₁₆ | At detection of either rising or falling edge of INT ₀ input | External interrupt (active edge selectable) |
| INT ₁ | 3 | FFF9 ₁₆ | FFF8 ₁₆ | At detection of either rising or falling edge of INT ₁ input | External interrupt (active edge selectable) |
| Serial I/O reception | 4 | FFF7 ₁₆ | FFF6 ₁₆ | At completion of serial I/O data reception | Valid when serial I/O is selected |
| Serial I/O transmission | 5 | FFF5 ₁₆ | FFF4 ₁₆ | At completion of serial I/O transmission shift or when transmission buffer is empty | Valid when serial I/O is selected |
| Timer X | 6 | FFF3 ₁₆ | FFF2 ₁₆ | At timer X underflow | |
| Timer Y | 7 | FFF1 ₁₆ | FFF0 ₁₆ | At timer Y underflow | |
| Timer 2 | 8 | FFEF ₁₆ | FFEE ₁₆ | At timer 2 underflow | |
| Timer 3 | 9 | FFED ₁₆ | FFEC ₁₆ | At timer 3 underflow | |
| CNTR ₀ | 10 | FFEB ₁₆ | FFEA ₁₆ | At detection of either rising or falling edge of CNTR ₀ input | External interrupt (active edge selectable) |
| CNTR ₁ | 11 | FFE9 ₁₆ | FFE8 ₁₆ | At detection of either rising or falling edge of CNTR ₁ input | External interrupt (active edge selectable) |
| Timer 1 | 12 | FFE7 ₁₆ | FFE6 ₁₆ | At timer 1 underflow | |
| Key input (Key-on wake-up) | 13 | FFE1 ₁₆ | FFE0 ₁₆ | At falling of port P2 (at input) input logical level AND | External interrupt (falling valid) |
| A-D conversion | 14 | FFDF ₁₆ | FFDE ₁₆ | At completion of A-D conversion | Valid when A-D conversion interrupt is selected |
| BRK instruction | 15 | FFDD ₁₆ | FFDC ₁₆ | At BRK instruction execution | Non-maskable software interrupt |

Notes 1: Vector addresses contain interrupt jump destination addresses.

2: Reset function in the same way as an interrupt with the highest priority.

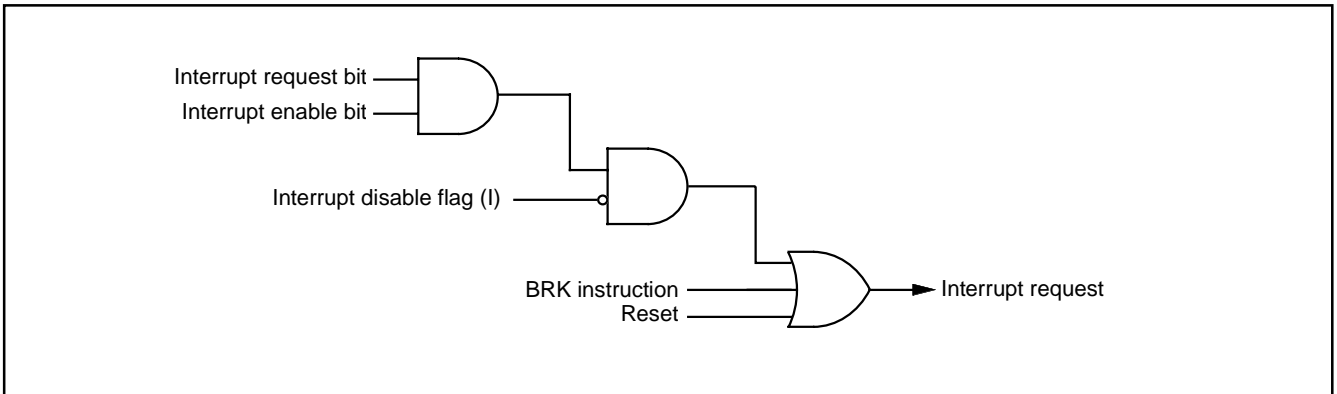


Fig. 13 Interrupt control

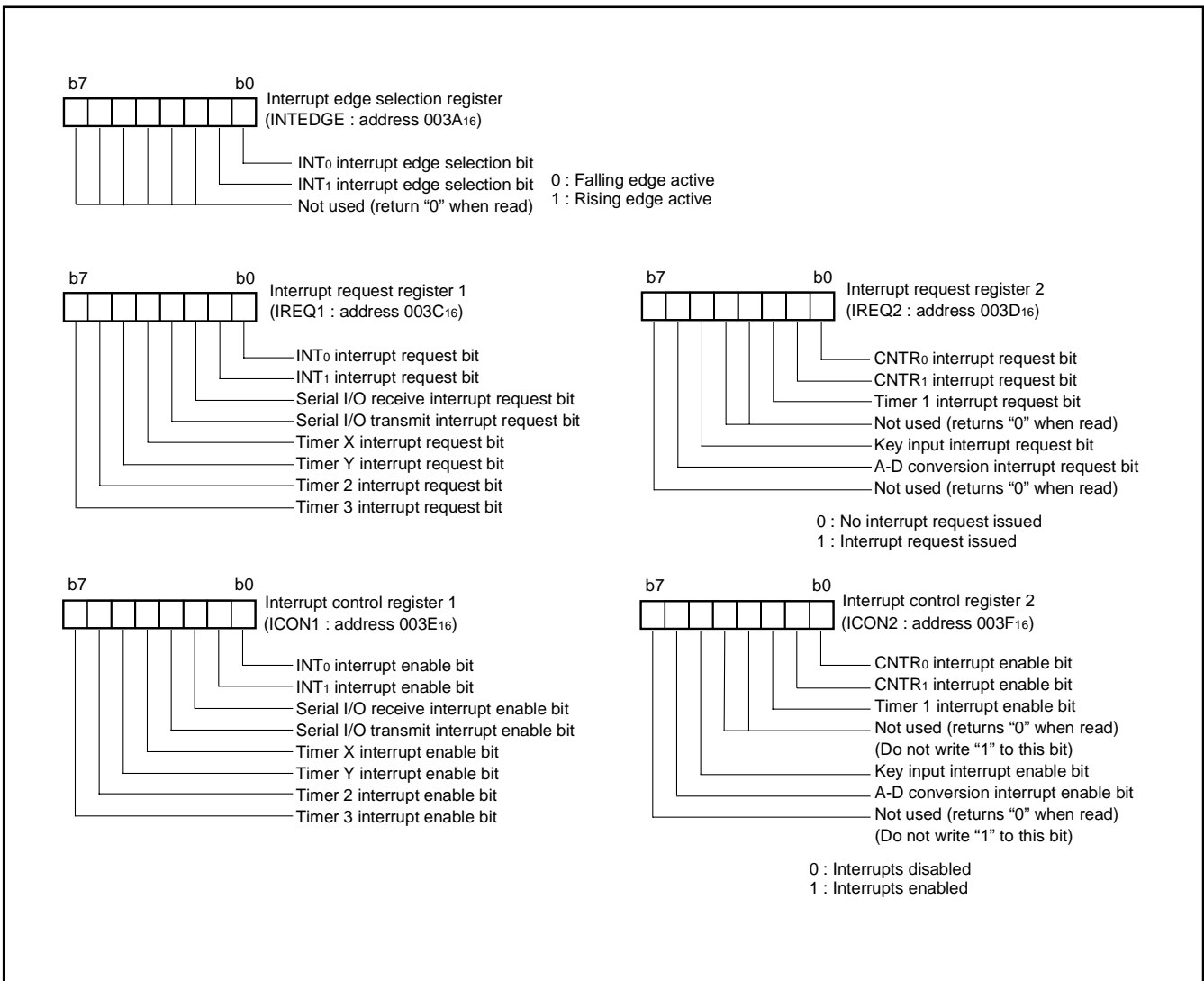


Fig. 14 Structure of interrupt-related registers

Key Input Interrupt (Key-on Wake-Up)

A key input interrupt request is generated by applying "L" level to any pin of port P2 that have been set to input mode. In other words, it is generated when AND of input level goes from "1" to "0". An example

of using a key input interrupt is shown in Figure 15, where an interrupt request is generated by pressing one of the keys consisted as an active-low key matrix which inputs to ports P20–P23.

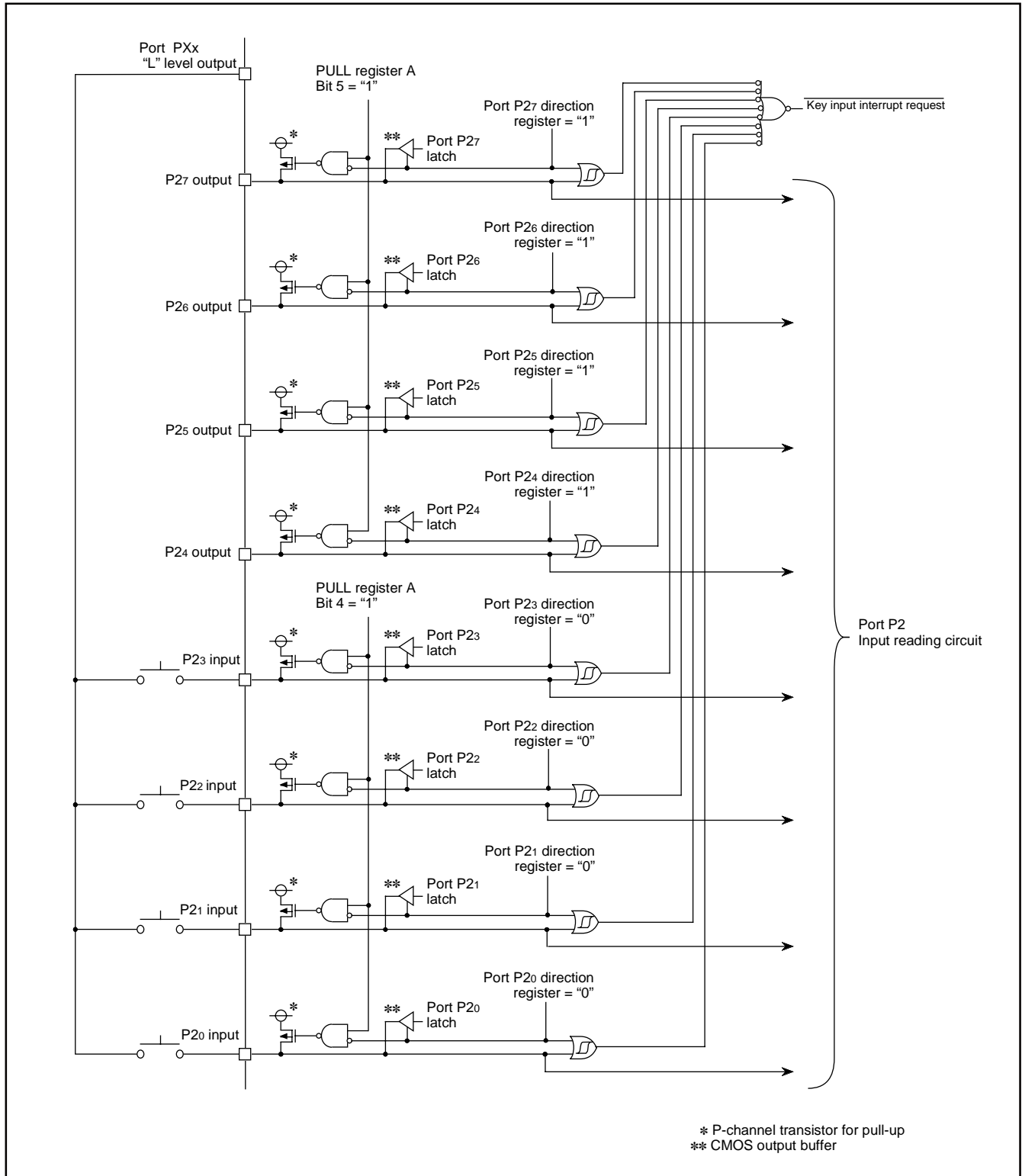


Fig. 15 Connection example when using key input interrupt and port P2 block diagram

TIMERS

The 38C8 group has five timers: timer X, timer Y, timer 1, timer 2, and timer 3. Timer X and timer Y are 16-bit timers, and timer 1, timer 2, and timer 3 are 8-bit timers.

All timers are down count timers. When the timer reaches "00₁₆", an underflow occurs at the next count pulse and the corresponding timer latch is reloaded into the timer and the count is continued. When a timer underflows, the interrupt request bit corresponding to that timer

is set to "1".

Read and write operation on 16-bit timer must be performed for both high and low-order bytes. When reading a 16-bit timer, read the high-order byte first. When writing to a 16-bit timer, write the low-order byte first. The 16-bit timer cannot perform the correct operation when reading during the write operation, or when writing during the read operation.

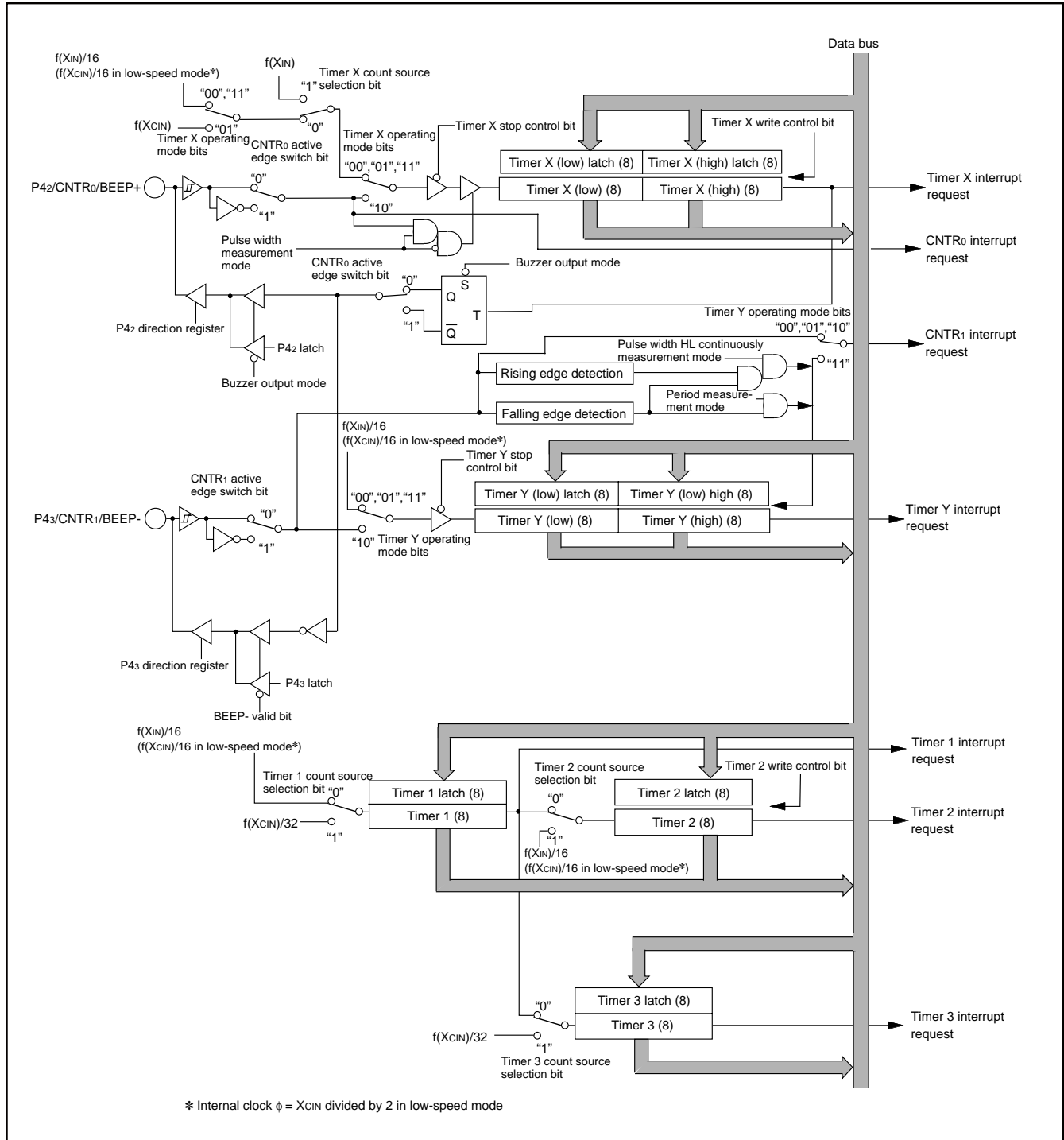


Fig. 16 Timer block diagram

Timer X

Timer X is a 16-bit timer that can be selected in one of four modes and can be controlled the timer X write by setting the timer X mode register.

(1) Timer Mode

When the timer X count source selection bit is "0", the timer counts $f(XIN)/16$ (or $f(XCIN)/16$ in low-speed mode). When it is "1", the timer counts $f(XIN)$.

(2) Buzzer Output Mode

When the timer X count source selection bit is "0", the timer counts $f(XCIN)$. When it is "1", the timer counts $f(XIN)$.

Each time the timer underflows, a signal output from the BEEP+ pin is inverted. When the BEEP- valid bit is "1", the opposite phase of BEEP+ signal is output from the BEEP- pin. When using the BEEP+ pin and the BEEP- pin, set ports shared with these pins to output.

(3) Event Counter Mode

The timer counts signals input through the CNTR0 pin. Except for this, the operation in event counter mode is the same as in timer mode. When using a timer in this mode, set the port shared with the CNTR0 pin to input.

(4) Pulse Width Measurement Mode

When the timer X count source selection bit is "0", the count source is $f(XIN)/16$ (or $f(XCIN)/16$ in low-speed mode). When it is "1", the count source is $f(XIN)$.

If CNTR0 active edge switch bit is "0", the timer counts while the input signal of CNTR0 pin is at "H". If it is "1", the timer counts while the input signal of CNTR0 pin is at "L". When using a timer in this mode, set the port shared with the CNTR0 pin to input.

●Timer X write control

If the timer X write control bit is "0", when the value is written in the address of timer X, the value is loaded in the timer X and the latch at the same time.

If the timer X write control bit is "1", when the value is written in the address of timer X, the value is loaded only in the latch. The value in the latch is loaded in timer X after timer X underflows.

If the value is written in latch only, unexpected value may be set in the high-order counter when the writing in high-order latch and the underflow of timer X are performed at the same timing.

■Notes on CNTR0 interrupt active edge selection

CNTR0 interrupt active edge depends on the CNTR0 active edge switch bit.

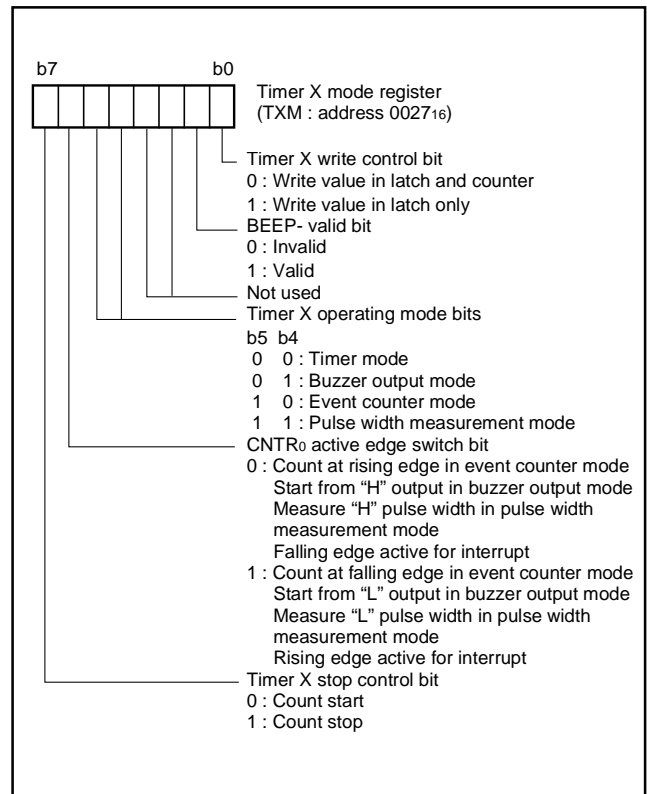


Fig. 17 Structure of timer X mode register

Timer Y

Timer Y is a 16-bit timer that can be selected in one of four modes.

(1) Timer Mode

The timer counts $f(X_{IN})/16$ (or $f(X_{CIN})/16$ in low-speed mode).

(2) Period Measurement Mode

CNTR1 interrupt request is generated at rising/falling edge of CNTR1 pin input signal. Simultaneously, the value in timer Y latch is reloaded in timer Y and timer Y continues counting down. Except for the above-mentioned, the operation in period measurement mode is the same as in timer mode.

The timer value just before the reloading at rising/falling of CNTR1 pin input signal is retained until the timer Y is read once after the reload.

The rising/falling timing of CNTR1 pin input signal is found by CNTR1 interrupt. When using a timer in this mode, set the port shared with the CNTR1 pin to input.

(3) Event Counter Mode

The timer counts signals input through the CNTR1 pin.

Except for this, the operation in event counter mode is the same as in timer mode. When using a timer in this mode, set the port shared with the CNTR1 pin to input.

(4) Pulse Width HL Continuously Measurement Mode

CNTR1 interrupt request is generated at both rising and falling edges of CNTR1 pin input signal. Except for this, the operation in pulse width HL continuously measurement mode is the same as in period measurement mode. When using a timer in this mode, set the port shared with the CNTR1 pin to input.

■Notes on CNTR1 interrupt active edge selection

CNTR1 interrupt active edge depends on the CNTR1 active edge switch bit. However, in the pulse width HL continuously measurement mode, CNTR1 interrupt request is generated at both rising and falling edges of CNTR1 pin input signal regardless of the setting of CNTR1 active edge switch bit.

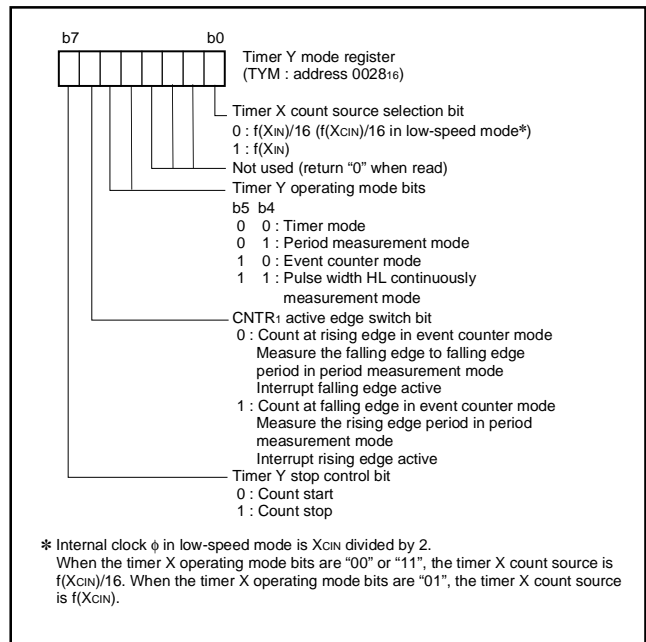


Fig. 18 Structure of timer Y mode register

Timer 1, Timer 2, Timer 3

Timer 1, timer 2, and timer 3 are 8-bit timers. The count source for each timer can be selected by the timer 123 mode register. The timer latch value is not affected by a change of the count source. However, because changing the count source may cause an inadvertent count down of the timer. Therefore, rewrite the value of timer whenever the count source is changed.

●Timer 2 write control

If the timer 2 write control bit is "0", when the value is written in the address of timer 2, the value is loaded in the timer 2 and the latch at the same time.

If the timer 2 write control bit is "1", when the value is written in the address of timer 2, the value is loaded only in the latch. The value in the latch is loaded in timer 2 after timer 2 underflows.

■Notes on timer 1 to timer 3

When the count source of timer 1 to 3 is changed, the timer counting value may be changed large because a thin pulse is generated in count input of timer. If timer 1 output is selected as the count source of timer 2 or timer 3, when timer 1 is written, the counting value of timer 2 or timer 3 may be changed large because a thin pulse is generated in timer 1 output.

Therefore, set the value of timer in the order of timer 1, timer 2 and timer 3 after the count source selection of timer 1 to 3.

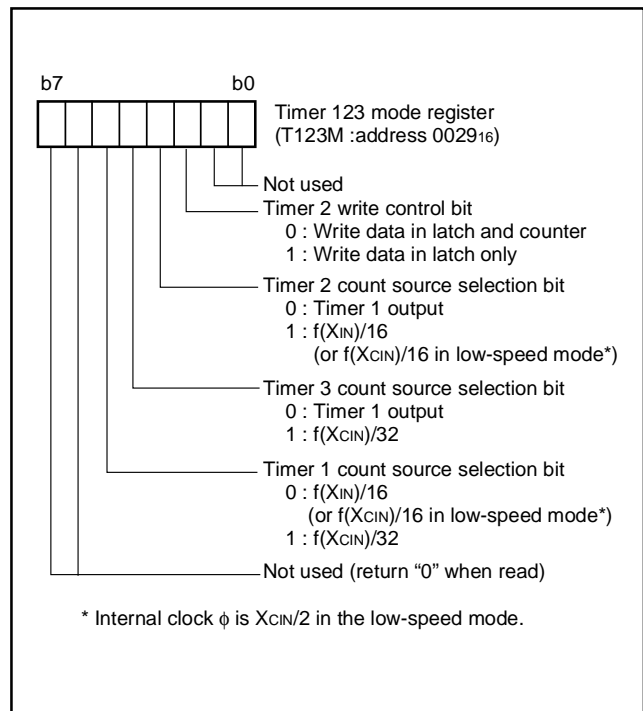


Fig. 19 Structure of timer 123 mode register

SERIAL I/O

Serial I/O can be used as either clock synchronous or asynchronous (UART) serial I/O. A dedicated timer (baud rate generator) is also provided for baud rate generation.

(1) Clock Synchronous Serial I/O Mode

Clock synchronous serial I/O can be selected by setting the mode selection bit of the serial I/O control register to "1".

For clock synchronous serial I/O, the transmitter and the receiver must use the same clock. If an internal clock is used, transfer is started by a write signal to the transmit/receive buffer registers.

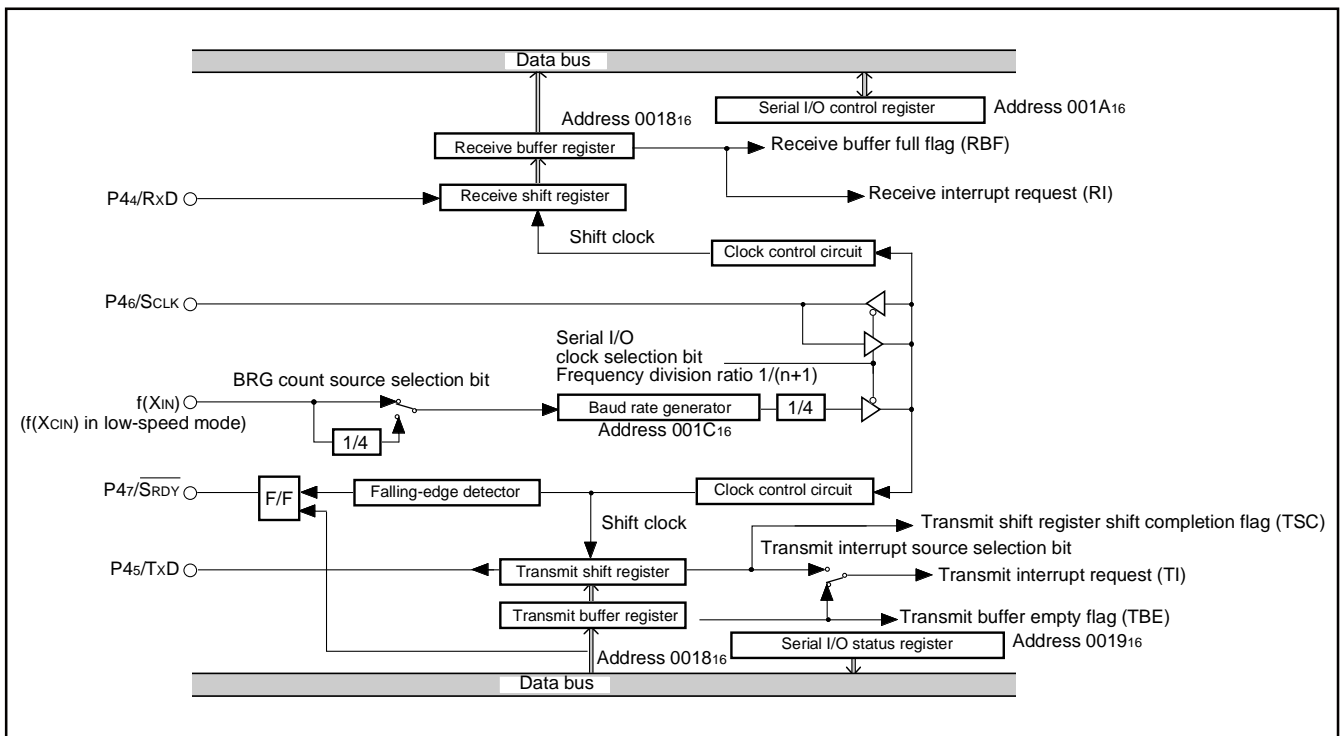


Fig. 20 Block diagram of clock synchronous serial I/O

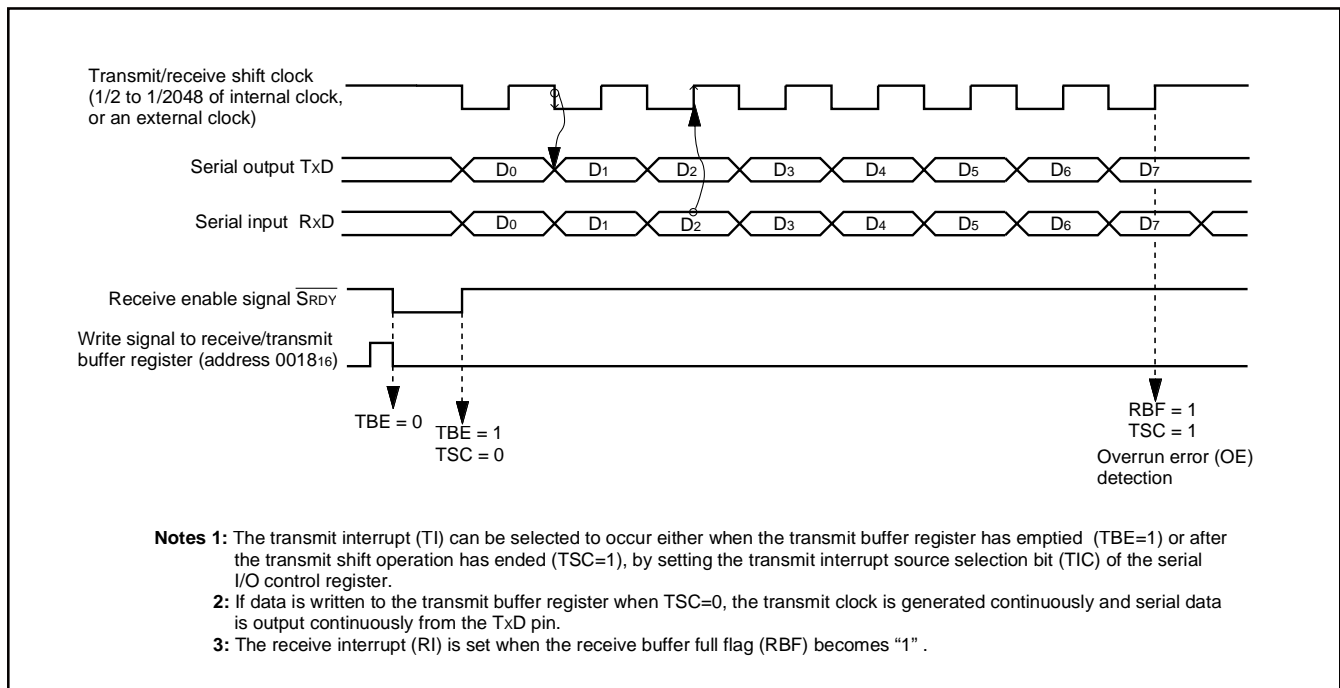


Fig. 21 Operation of clock synchronous serial I/O function

(2) Asynchronous Serial I/O (UART) Mode

Clock asynchronous serial I/O mode (UART) can be selected by clearing the serial I/O mode selection bit of the serial I/O control register to "0".

Eight serial data transfer formats can be selected, and the transfer formats used by a transmitter and receiver must be identical.

The transmit and receive shift registers each have a buffer register,

but the two buffers have the same address in memory. Since the shift register cannot be written to or read from directly, transmit data is written to the transmit buffer, and receive data is read from the receive buffer.

The transmit buffer can also hold the next data to be transmitted, and the receive buffer register can hold a character while the next character is being received.

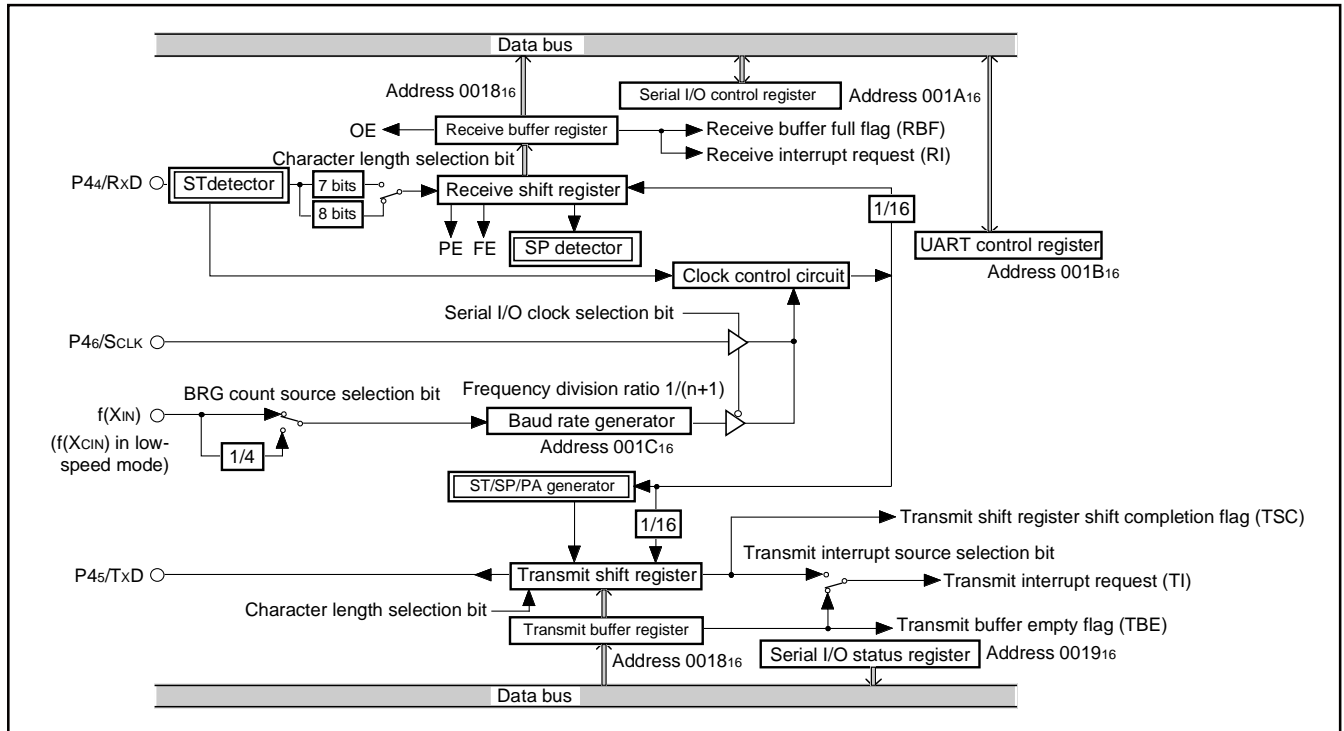


Fig. 22 Block diagram of UART serial I/O

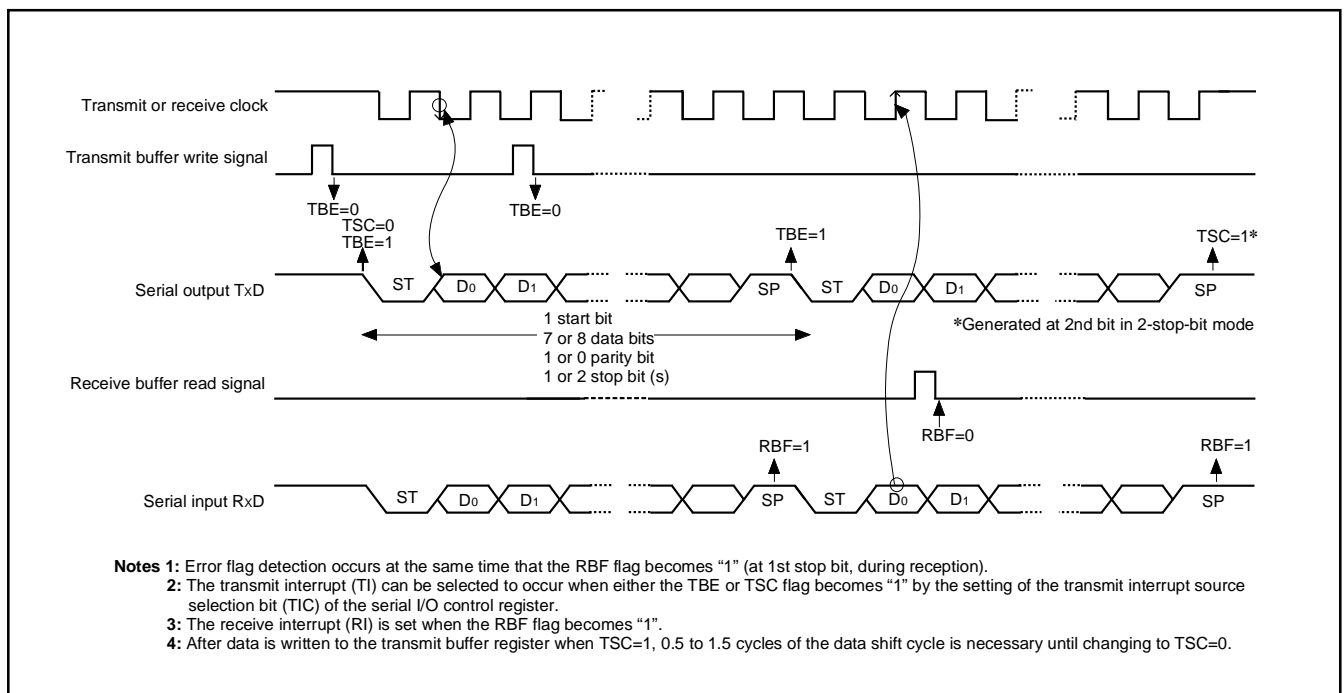


Fig. 23 Operation of UART serial I/O function

[Transmit Buffer/Receive Buffer Register (TB/RB)] 0018₁₆

The transmit buffer register and the receive buffer register are located at the same address. The transmit buffer register is write-only and the receive buffer register is read-only. If a character bit length is 7 bits, the MSB of data stored in the receive buffer register is "0".

[Serial I/O Status Register (SIOSTS)] 0019₁₆

The read-only serial I/O status register consists of seven flags (bits 0 to 6) which indicate the operating status of the serial I/O function and various errors.

Three of the flags (bits 4 to 6) are valid only in UART mode.

The receive buffer full flag (bit 1) is cleared to "0" when the receive buffer is read.

If there is an error, it is detected at the same time that data is transferred from the receive shift register to the receive buffer register, and the receive buffer full flag is set. A write to the serial I/O status register clears all the error flags OE, PE, FE, and SE. Writing "0" to the serial I/O enable bit (SIOE) also clears all the status flags, including the error flags.

All bits of the serial I/O status register are initialized to "0" at reset, but if the transmit enable bit (bit 4) of the serial I/O control register has been set to "1", the transmit shift register shift completion flag (bit 2) and the transmit buffer empty flag (bit 0) become "1".

[Serial I/O Control Register (SIOCON)] 001A₁₆

The serial I/O control register contains eight control bits for the serial I/O function.

[UART Control Register (UARTCON)] 001B₁₆

This is a 5 bit register containing four control bits, which are valid when UART is selected and set the data format of an data receiver/transfer, and one control bit, which is always valid and sets the output structure of the P4₅/Tx_D pin.

[Baud Rate Generator (BRG)] 001C₁₆

The baud rate generator determines the baud rate for serial transfer. The baud rate generator divides the frequency of the count source by $1/(n + 1)$, where n is the value written to the baud rate generator.

■Notes on serial I/O

When setting the transmit enable bit to "1", the serial I/O transmit interrupt request bit is automatically set to "1". When not requiring the interrupt occurrence synchronized with the transmission enabled, take the following sequence.

- ①Set the serial I/O transmit interrupt enable bit to "0" (disabled).
- ②Set the transmit enable bit to "1".
- ③Set the serial I/O transmit interrupt request bit to "0" after 1 or more instructions have been executed.
- ④Set the serial I/O transmit interrupt enable bit to "1" (enabled).

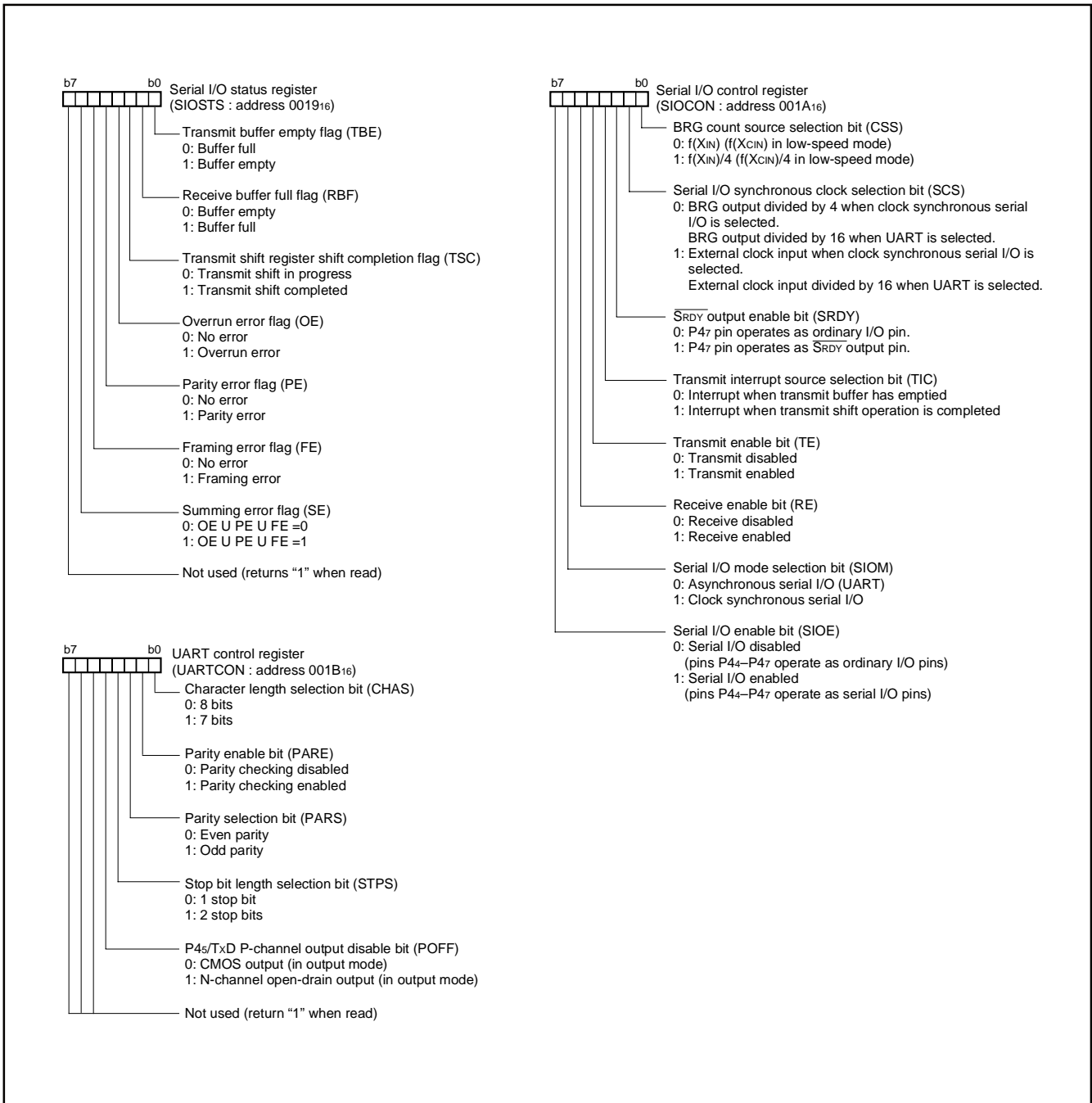


Fig. 24 Structure of serial I/O control registers

A-D CONVERTER

[A-D Conversion Registers (ADL, ADH)] 003216, 003316

The A-D conversion registers are read-only registers that contain the result of an A-D conversion. During A-D conversion, do not read these registers.

[A-D Control Register (ADCON)] 003116

The A-D control register controls the A-D conversion process. Bits 0 to 2 are analog input pin selection bits. Bit 3 is an A-D conversion completion bit and "0" during A-D conversion, then changes to "1" when the A-D conversion is completed. Writing "0" to this bit starts the A-D conversion. When bit 5, which is the A-D external trigger valid bit, is set to "1", A-D conversion is started even by a rising edge or falling edge of an ADT input.

Comparator and Control Circuit

The comparator and control circuit compares an analog input voltage with the comparison voltage and stores the result in the A-D conversion register. When an A-D conversion is completed, the control circuit sets the A-D conversion completion bit and the A-D interrupt request bit to "1".

Because the comparator consists of a capacitor coupling, a deficient conversion speed may cause lack of electric charge and make the conversion accuracy worse. When A-D conversion is performed, set $f(X_{IN})$ to at least 500 kHz.

When both bit 5 and bit 4 of the CPU mode register are set to "1", A-D conversion is performed by using the built-in self-oscillation circuit.

Trigger Start

When using the A-D external trigger, set the port shared with the ADT pin to input. The polarity of INT1 interrupt edge also applies to the A-D external trigger. When the INT1 interrupt edge polarity is switched after an external trigger is validated, an A-D conversion may be started.

Resistor ladder

The resistor ladder outputs the comparison voltage by dividing the voltage between VDD and VSS by resistance.

Channel Selector

The channel selector selects one of the ports P33/AIN3–P30/AIN0 and ports P10/AIN4–P13/AIN7, and inputs it to the comparator.

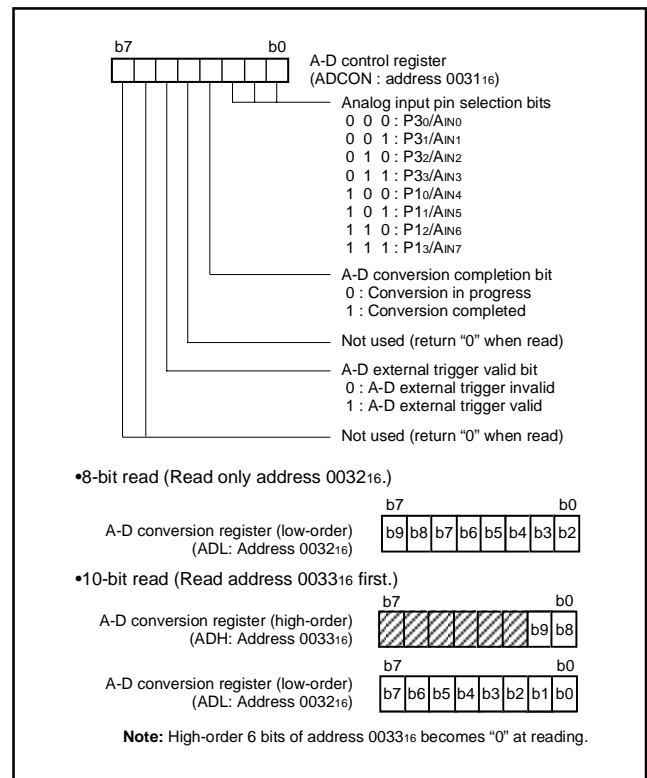


Fig. 25 Structure of A-D control register

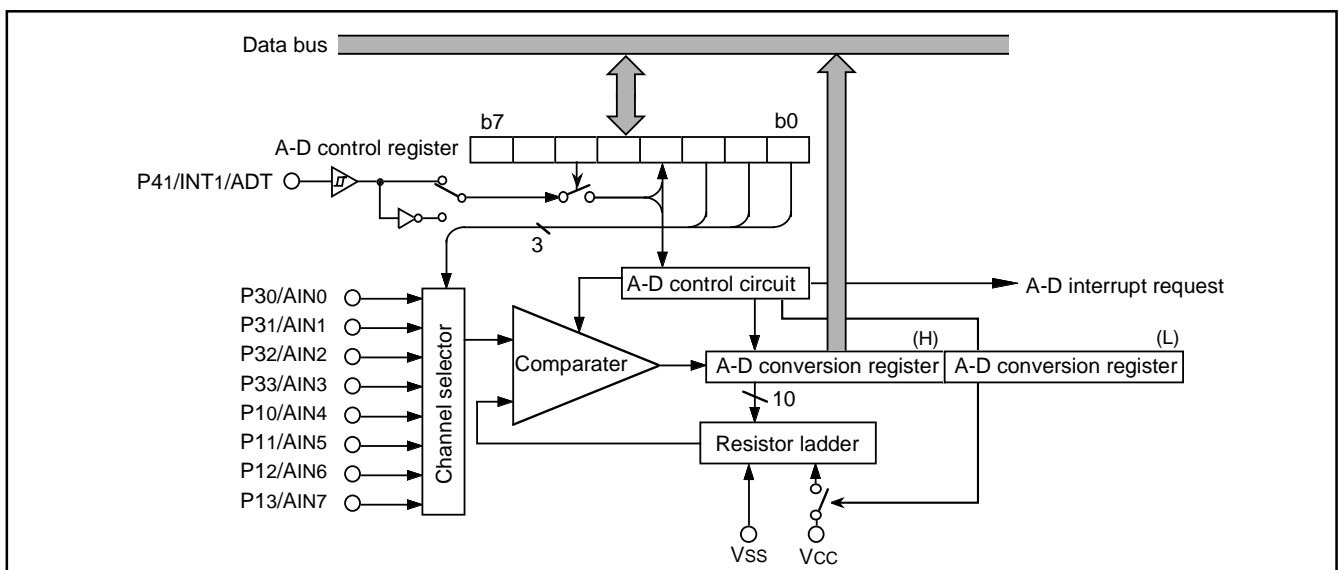


Fig. 26 A-D converter block diagram

LCD CONTROLLER/DRIVER

The 38C8 group has the built-in Liquid Crystal Display (LCD) controller/driver consisting of the following.

- 240-byte LCD display RAM
- 52 or 68 segment driver
- 16 or 32 common driver
- LCD clock generator
- Timing controller

- Bias controller
- Voltage multiplier
- LCD mode register
- LCD control registers 1, 2

A maximum of 68 segment output pins and 32 common output pins can be used for control of external LCD display.

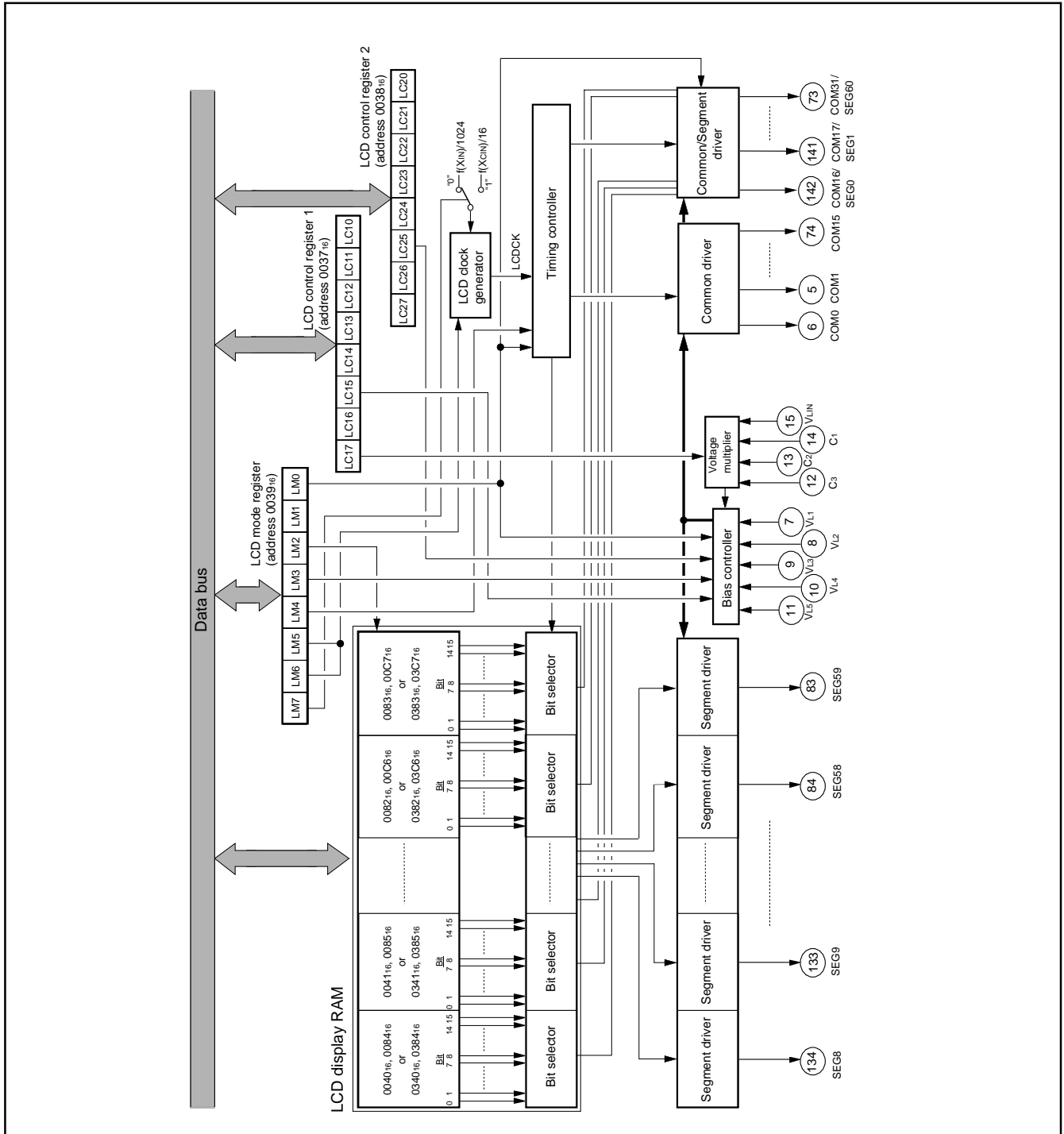


Fig. 27 Block diagram of LCD controller/driver

LCD Controller/Driver Function

The controller/driver performs the bias control and the time sharing control by the LCD control registers 1, 2 (LC1, LC2), and the LCD mode register (LM). The data of corresponding LCDRAM is output from the segment pins according to the output timing of the common pins.

The 38C8 group has the voltage multiplier only for LCD in addition to LCD controller/driver .

[LCD mode register (LM)] 0039₁₆

The LCD mode register is used for setting the LCD controller/driver according to the LCD panel used.

[LCD control register 1 (LC1)] 0037₁₆

The LCD control register 1 controls the voltage multiplier and built-in resistance.

[LCD control register 2 (LC2)] 0038₁₆

The LCD control register 2 is write-only. Setting "1" to bit 5 makes built-in resistance low resistance, and can raise drivability of the segment pins and the common pins.

Table 7 Maximum number of display pixels at each duty ratio

| Duty ratio | Maximum number of display pixel |
|------------|---|
| 16 | 16 X 68 dots (5 X 7 dots + cursor 2 lines) |
| 32 | 32 X 52 dots (5 X 7 dots + cursor 4 lines) |

Note: When executing the STP instruction while operating LCD, execute the STP instruction after prohibiting LCD (set "0" to bit 3 of the LCD mode register).

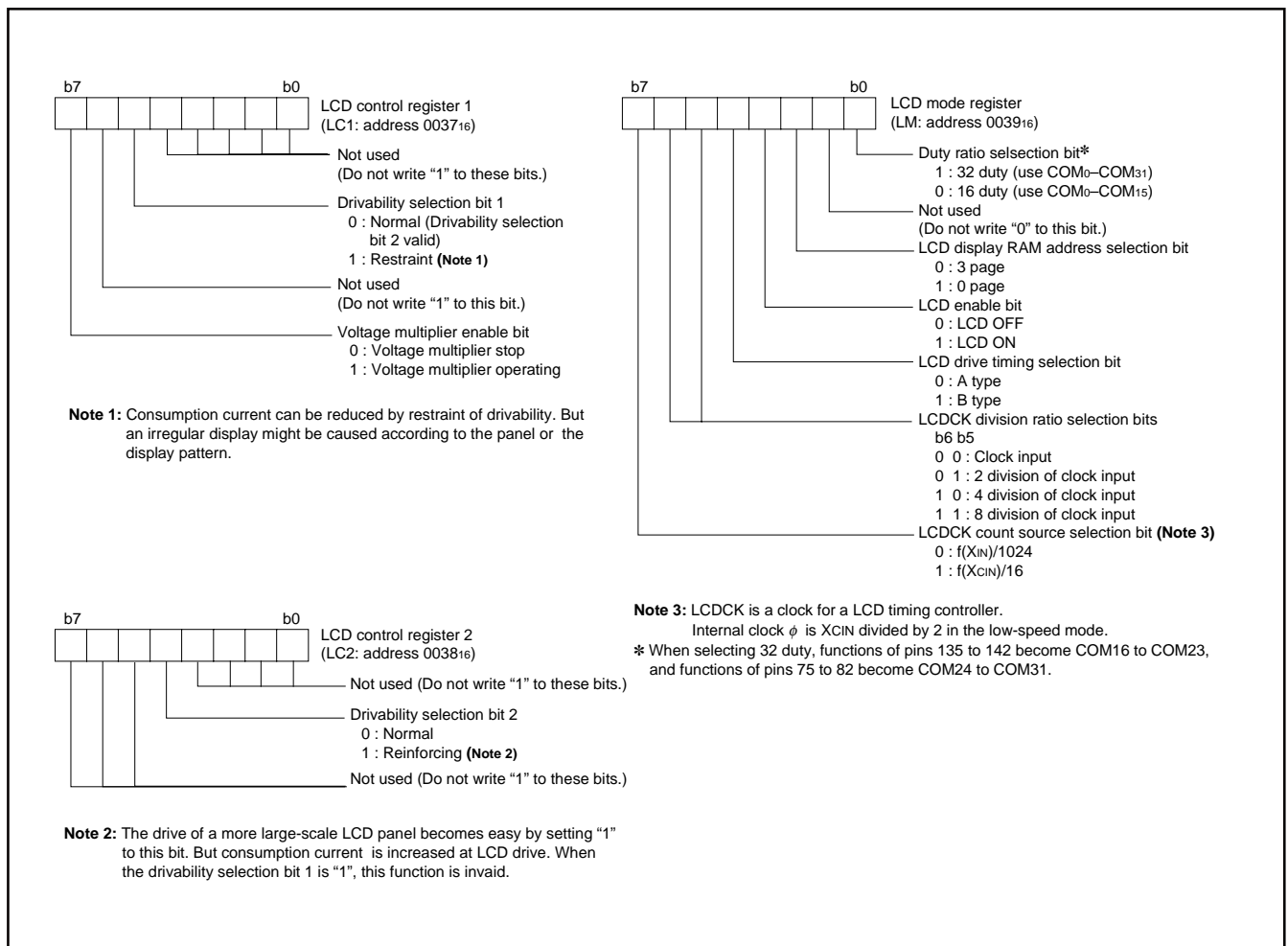


Fig. 28 Structure of LCD control register

Bias Control

In the LCD power source pins (VL1–VL5), 1/7 bias is automatically generated in 32 duty ratio and 1/5 bias is done in 16 duty ratio as well. Be sure to connect the capacitor for smoothness to these pins. When requiring 1/5 bias in 32 duty ratio, use an external resistor to generate a necessary level. In this case the drivability selection bit 1 of LCD control register 1 must be “1”.

Voltage Multiplier

When the voltage multiplier is operated after a reference voltage for boosting is applied to LCD power supply VLIN, a voltage that is approximately three times as large as that of VLIN pin occurs at the VL5 pin. Operate the voltage multiplier after applying a reference voltage for boosting to VLIN.

The voltage multiplier multiplies a VLIN voltage by charge/discharge of capacitors between C1 and C2 pins and to C3 pin. Accordingly, if a large LCD panel is driven or a bias value is changed owing to an external resistor, a level from VL5 pin might be not a requested level. To prevent this, we recommend use of an external power source which can supply stabilized power.

Additionally, when using the voltage multiplier, set a higher resistor value (the sum of R1 to R5) as possible (100 kΩ or more recommended).

Table 8 Bias control and applied voltage to VL1–VL5

| Bias value | Voltage value |
|------------------------------|--|
| 1/7 bias in 32 duty ratio | VL5 = VLCD VL4 = 6/7 VLCD VL3 = 5/7 VLCD VL2 = 2/7 VLCD VL1 = 1/7 VLCD |
| 1/5 bias in 16 duty ratio | VL5 = VLCD VL4 = 4/5 VLCD VL3 = 3/5 VLCD VL2 = 2/5 VLCD VL1 = 1/5 VLCD |

Note: VLCD is a value which can be supplied to the LCD panel. Set value which is less than maximum ratings to VLCD.

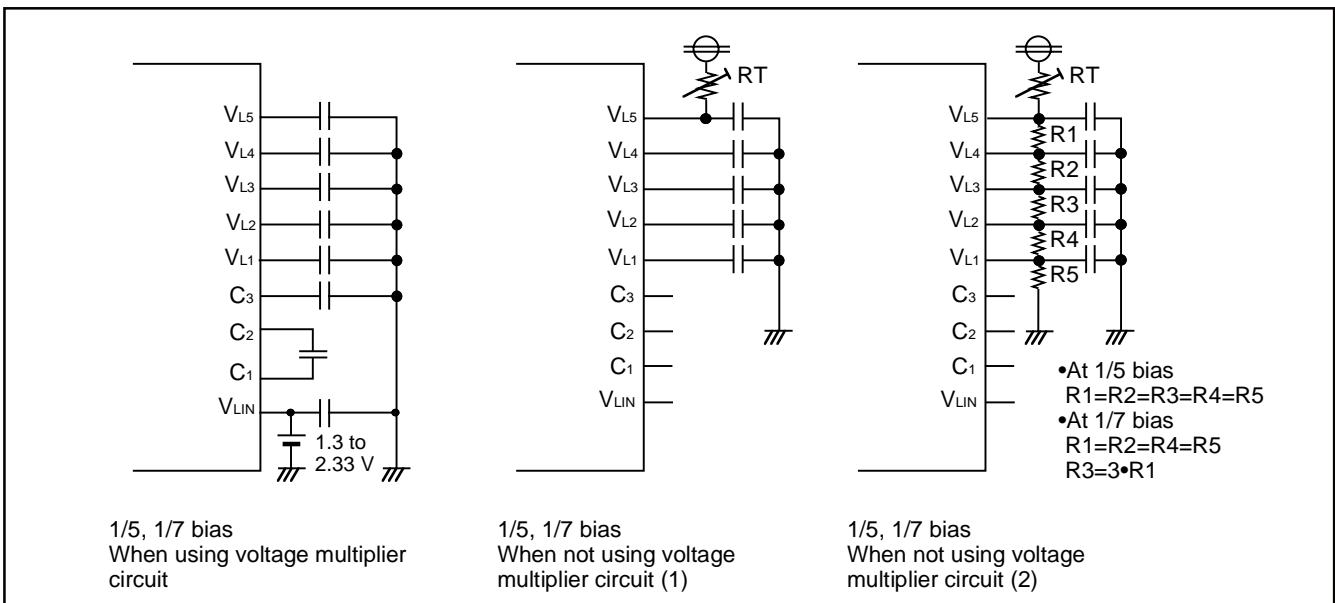


Fig. 29 Example of circuit at each bias

Common Pin and Duty Ratio Control

The common pins (COM₀–COM₃₁) to be used are determined by duty ratio.

Select duty ratio by the duty ratio selection bit (bit 0 of the LCD mode register).

Table 9 Duty ratio control and common pins used

| Duty ratio | Duty ratio selection bit | Common pins used |
|------------|--------------------------|--|
| 16 | 0 | COM ₀ –COM ₁₅ (Note) |
| 32 | 1 | COM ₀ –COM ₃₁ |

Note: The SEG₀/COM₁₆–SEG₇/COM₂₃ pins are used as the SEG₀–SEG₇.
The SEG₆₇/COM₂₄–SEG₆₀/COM₃₁ pins are used as the SEG₆₇–SEG₆₀.

LCD Display RAM

When LCD display RAM address selection bit is “0”, the area of addresses 0340₁₆ to 042F₁₆ is the designated RAM for the LCD display. When the bit is “1”, the area of addresses 0040₁₆ to 012F₁₆ is the designated RAM for it. When “1”s are written to these addresses, the corresponding segments of the LCD display panel are turned on.

LCD Drive Timing

The LCDCK timing frequency (LCD drive timing) is generated internally and the frame frequency can be determined with the following equation;

$$f(\text{LCDCK}) = \frac{\text{(frequency of count source for LCDCK)}}{\text{(divider division ratio for LCD)}}$$

$$\text{Frame frequency} = \frac{f(\text{LCDCK})}{\text{(duty ratio)}}$$

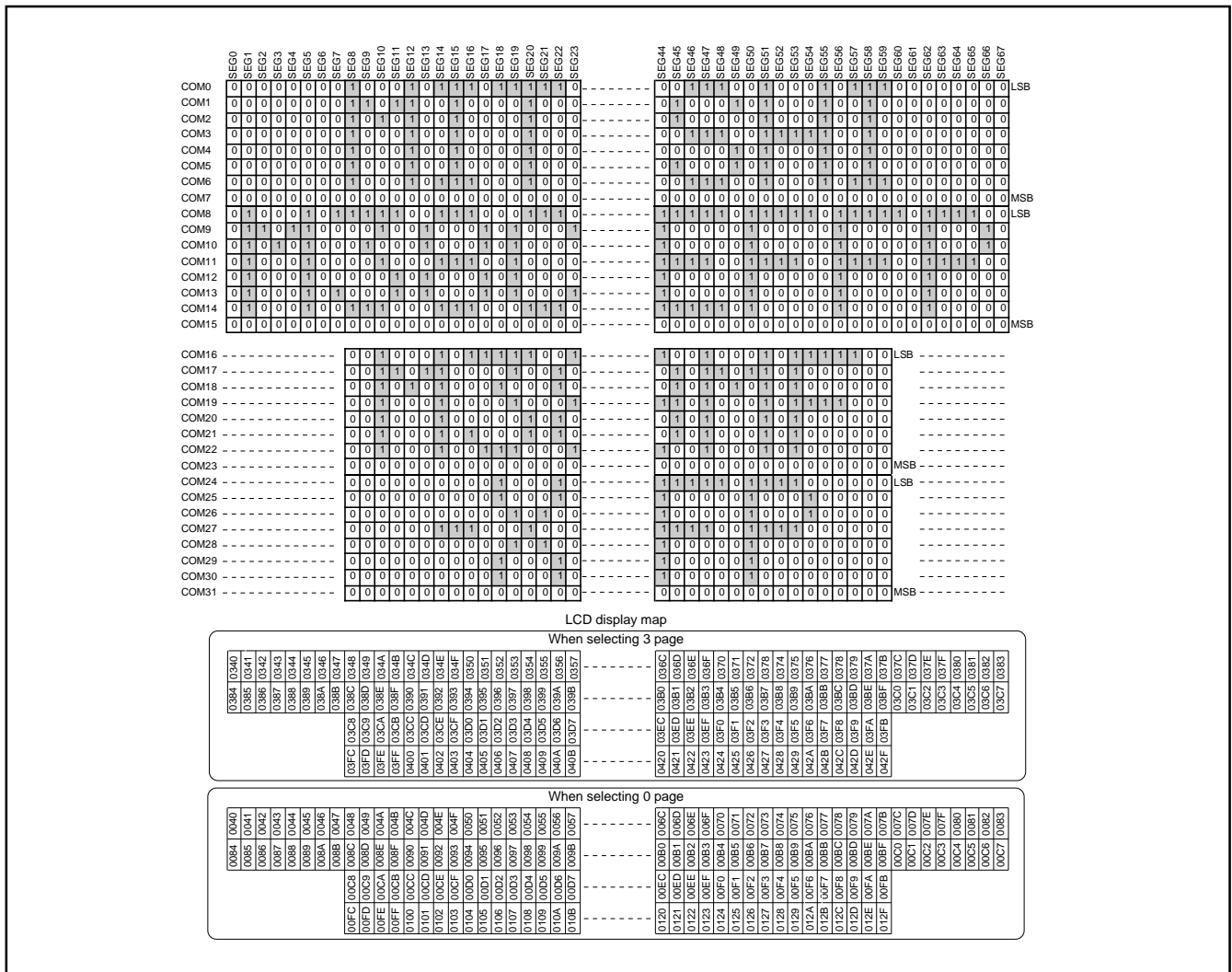


Fig. 30 LCD display RAM map

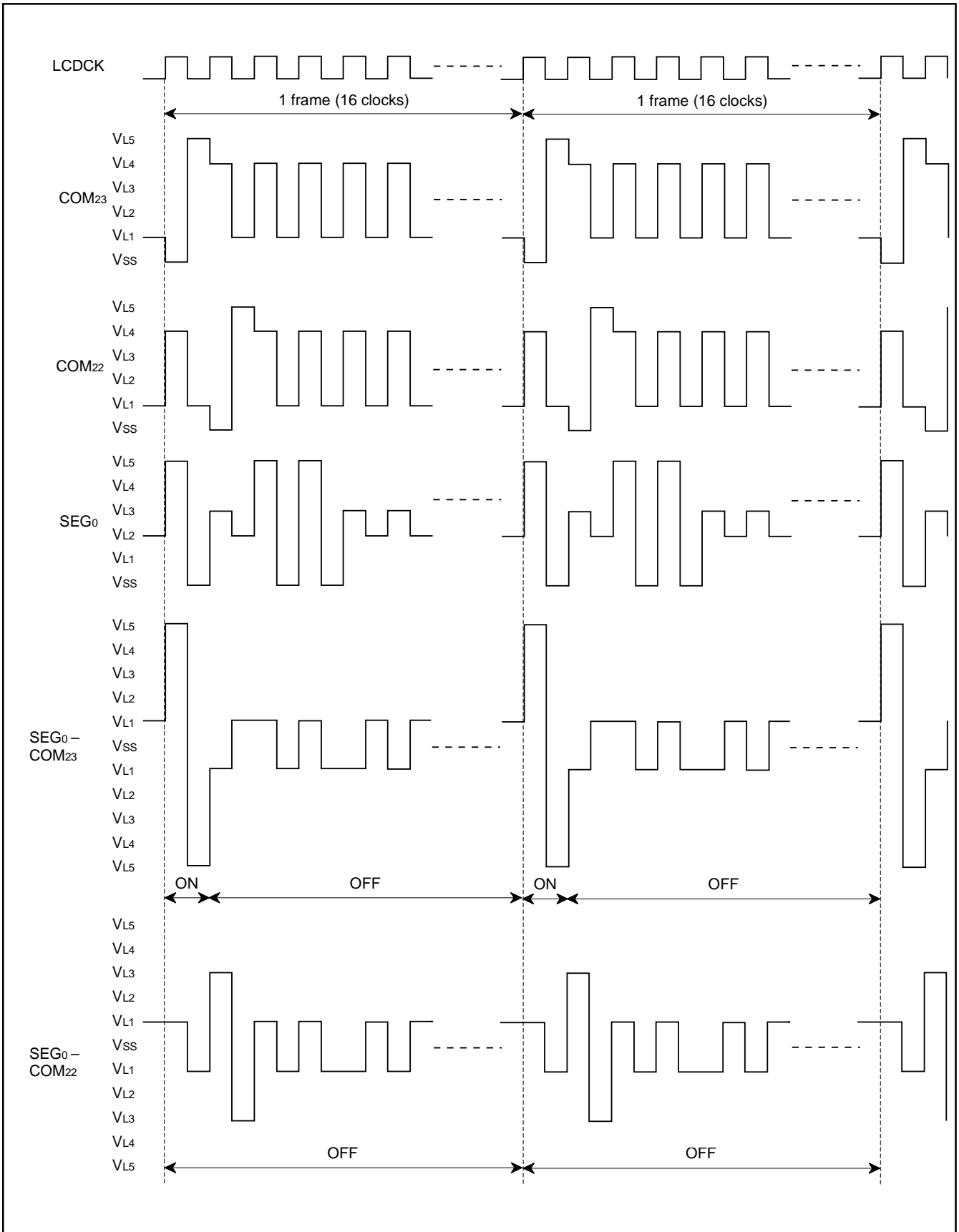


Fig. 31 LCD drive waveform (16 duty ratio, 1/5 bias, A type)

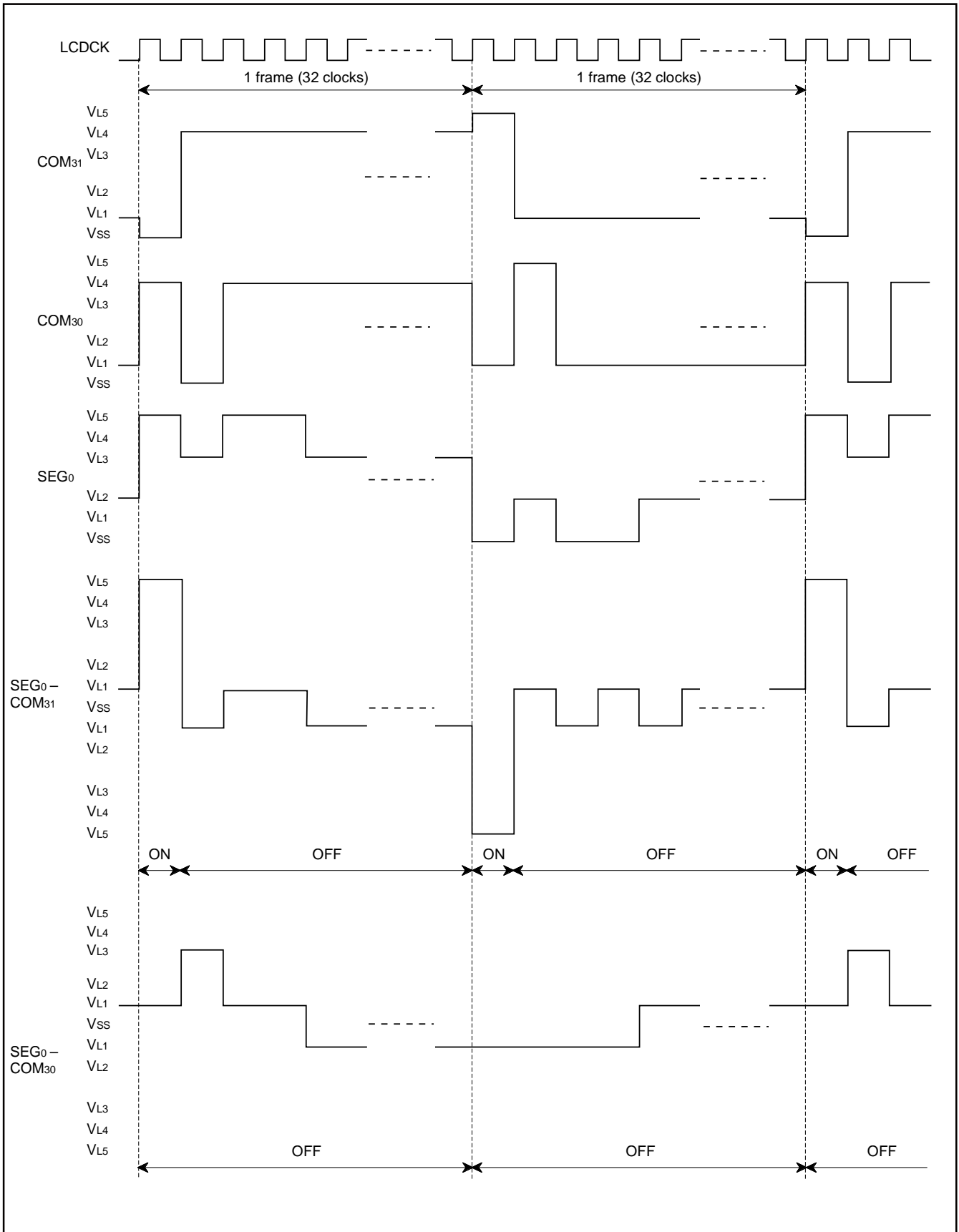


Fig. 32 LCD drive waveform (32 duty ratio, 1/7 bias, B type)

RESET CIRCUIT

To reset the microcomputer, $\overline{\text{RESET}}$ pin should be held at an "L" level for 2 μs or more. Then the $\overline{\text{RESET}}$ pin is returned to an "H" level (the power source voltage should be between V_{CC} (min.) and 5.5 V, and the quartz-crystal oscillator should be stable), reset is released. After the reset is completed, the program starts from the address contained in address FFFD₁₆ (high-order byte) and address FFFC₁₆ (low-order byte). Make sure that the reset input voltage is less than 0.2V_{CC} when a power source voltage passes V_{CC} (min.).

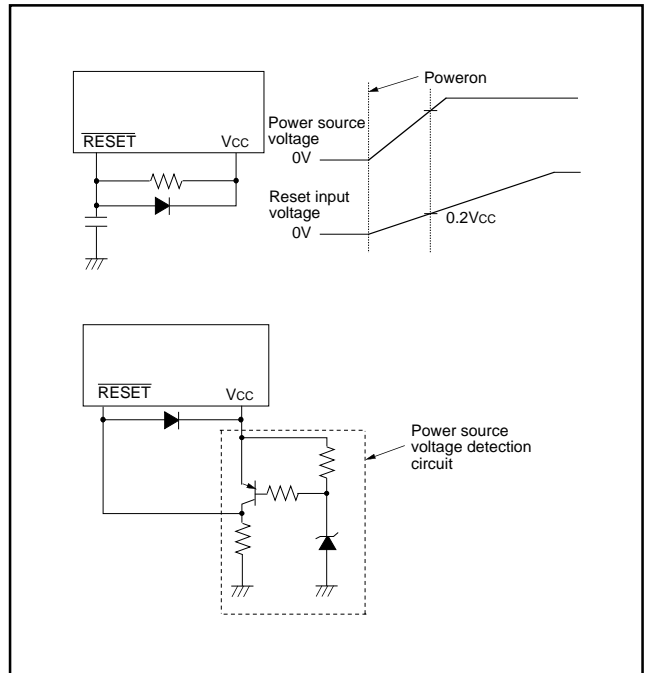


Fig. 33 Reset circuit example

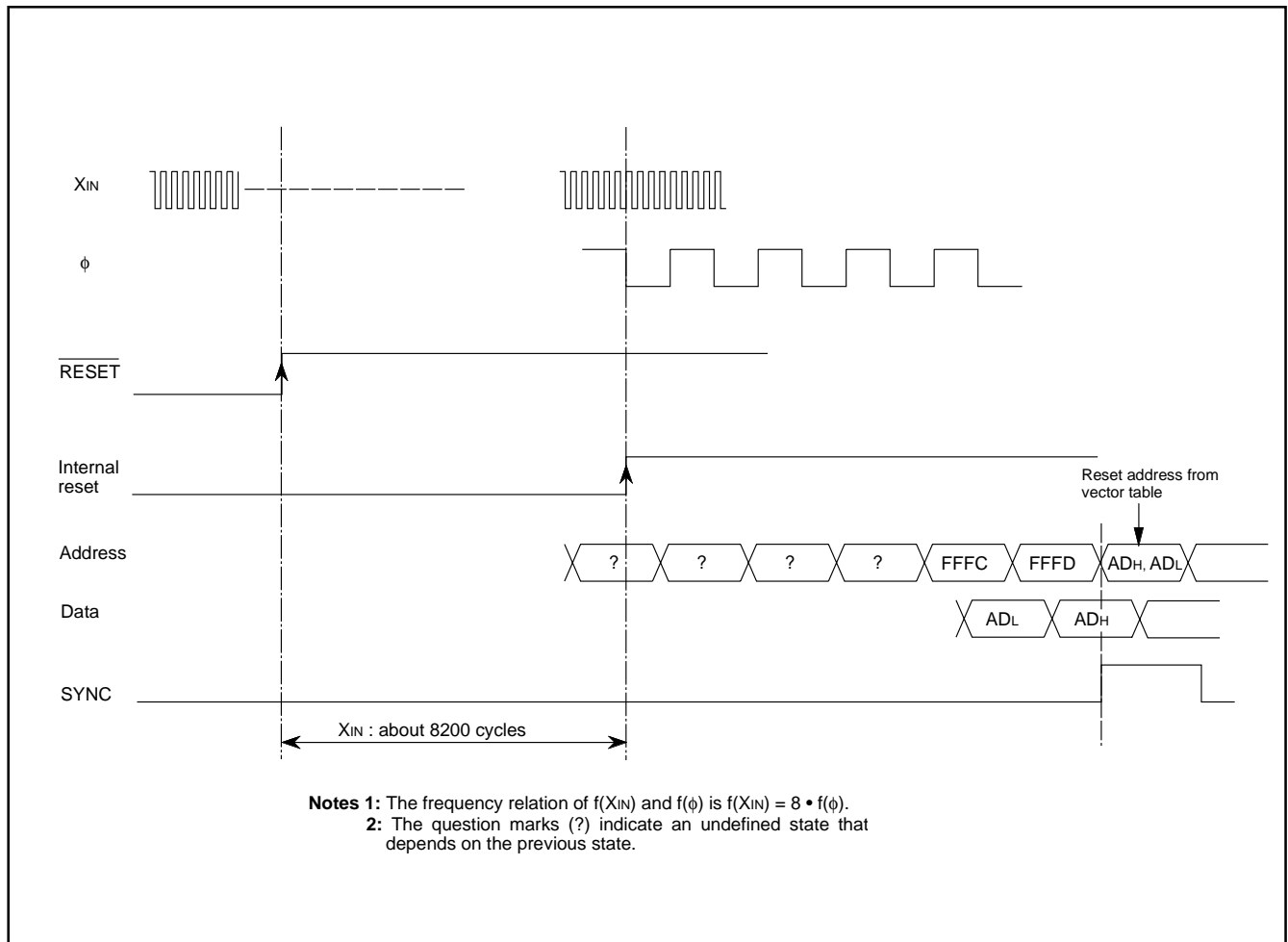


Fig. 34 Reset sequence

| | Address | Register contents | | Address | Register contents |
|---------------------------------|--------------------|-------------------|---|--------------------|--|
| (1) Port P0 direction register | 0001 ₁₆ | 00 ₁₆ | (21) A-D control register | 0031 ₁₆ | 08 ₁₆ |
| (2) Port P1 direction register | 0003 ₁₆ | 00 ₁₆ | (22) A-D conversion register (low-order) | 0032 ₁₆ | XX ₁₆ |
| (3) Port P2 direction register | 0005 ₁₆ | 00 ₁₆ | (23) A-D conversion register (high-order) | 0033 ₁₆ | XX ₁₆ |
| (4) Port P3 direction register | 0007 ₁₆ | 00 ₁₆ | (24) LCD control register 1 | 0037 ₁₆ | 00 ₁₆ |
| (5) Port P4 direction register | 0009 ₁₆ | 00 ₁₆ | (25) LCD control register 2 | 0038 ₁₆ | 00 ₁₆ |
| (6) PULL register A | 0016 ₁₆ | 00 ₁₆ | (26) LCD mode register | 0039 ₁₆ | 03 ₁₆ |
| (7) PULL register B | 0017 ₁₆ | 00 ₁₆ | (27) Interrupt edge selection register | 003A ₁₆ | 00 ₁₆ |
| (8) Serial I/O status register | 0019 ₁₆ | 80 ₁₆ | (28) CPU mode register | 003B ₁₆ | 4C ₁₆ |
| (9) Serial I/O control register | 001A ₁₆ | 00 ₁₆ | (29) Interrupt request register 1 | 003C ₁₆ | 00 ₁₆ |
| (10) UART control register | 001B ₁₆ | E0 ₁₆ | (30) Interrupt request register 2 | 003D ₁₆ | 00 ₁₆ |
| (11) Timer X (low-order) | 0020 ₁₆ | FF ₁₆ | (31) Interrupt control register 1 | 003E ₁₆ | 00 ₁₆ |
| (12) Timer X (high-order) | 0021 ₁₆ | FF ₁₆ | (32) Interrupt control register 2 | 003F ₁₆ | 00 ₁₆ |
| (13) Timer Y (low-order) | 0022 ₁₆ | FF ₁₆ | (33) Processor status register | (PS) | X X X X 1 X X |
| (14) Timer Y (high-order) | 0023 ₁₆ | FF ₁₆ | (34) Program counter | (PCH) | Contents of address FFFD ₁₆ |
| (15) Timer 1 | 0024 ₁₆ | FF ₁₆ | | (PCL) | Contents of address FFFC ₁₆ |
| (16) Timer 2 | 0025 ₁₆ | 01 ₁₆ | | | |
| (17) Timer 3 | 0026 ₁₆ | FF ₁₆ | | | |
| (18) Timer X mode register | 0027 ₁₆ | 00 ₁₆ | | | |
| (19) Timer Y mode register | 0028 ₁₆ | 00 ₁₆ | | | |
| (20) Timer 123 mode register | 0029 ₁₆ | 00 ₁₆ | | | |

Note: The contents of all other register and RAM are undefined after reset, so they must be initialized by software.
X : Undefined

Fig. 35 Internal status at reset

CLOCK GENERATING CIRCUIT

The 38C8 group has two built-in oscillation circuits: main clock XIN-XOUT oscillation circuit and sub-clock XCIN-XCOUT oscillation circuit. An oscillation circuit can be formed by connecting a resonator between XIN and XOUT (XCIN and XCOUT). RC oscillation is available for XIN-XOUT.

Immediately after reset is released, the XIN-XOUT oscillation circuit starts oscillating, and XCIN and XCOUT pins go to high impedance state.

Main Clock

An oscillation circuit by a resonator can be formed by setting the OSCSEL pin is set to "L" level and connecting a resonator between XIN and XOUT. Use the circuit constants in accordance with the resonator manufacturer's recommended values. No external resistor is needed between XIN and XOUT since a feed-back resistor exists on-chip. To supply a clock signal externally, make the XOUT pin open in the "L" level state of the OSCSEL pin, and supply the clock from the XIN pin. The RC oscillation circuit can be formed by setting the OSCSEL pin to "H" level and connecting a resistor between the XIN pin and the XOUT pin. At this time, the feed-back resistor is cut off. The frequency of the RC oscillation changes owing to a parasitic capacitance or the wiring length etc. of the printed circuit board. Do not use the RC oscillation in the usage which the frequency accuracy of the main clock is needed.

Sub-clock

Connect a resonator between XCIN and XCOUT. An external feed-back resistor is needed between XCIN and XCOUT since a feed-back resistor does not exist on-chip. The sub-clock XCIN-XCOUT oscillation circuit cannot directly input clocks that are externally generated. Accordingly, be sure to cause an external resonator to oscillate.

Frequency Control

(1) Middle-speed Mode

The internal clock ϕ is the frequency of XIN divided by 8. After reset is released, this mode is selected.

(2) High-speed Mode

The internal clock ϕ is the frequency of XIN divided by 2.

(3) Low-speed Mode

The internal clock ϕ is the frequency of XCIN divided by 2.

A low-power consumption operation can be realized by stopping the main clock XIN in this mode. To stop the main clock, set bit 5 of the CPU mode register to "1". When the main clock XIN is restarted, set enough time for oscillation to stabilize by programming.

■Notes on clock generating circuit

If you switch the mode between middle/high-speed and low-speed, stabilize both XIN and XCIN oscillations. The sufficient time is required for the sub-clock to stabilize, especially immediately after power on and at returning from stop mode. When switching the mode between middle/high-speed and low-speed, set the frequency on condition that $f(XIN) > 3 \cdot f(XCIN)$.

Oscillation Control

(1) Stop Mode

If the STP instruction is executed, the internal clock ϕ stops at an "H" level, and XIN and XCIN oscillators stop. Timer 1 is set to "FF16" and timer 2 is set to "0116."

Either XIN divided by 16 or XCIN divided by 16 is input to timer 1 as count source, and the output of timer 1 is connected to timer 2. The bits except bit 4 of the timer 123 mode register are cleared to "0." Set the interrupt enable bits of timer 1 and timer 2 to disabled ("0") before executing the STP instruction.

Oscillator restarts at reset or when an external interrupt is received, but the internal clock ϕ is not supplied to the CPU until timer 2 underflows. This allows time for the clock circuit oscillation to stabilize.

(2) Wait Mode

If the WIT instruction is executed, the internal clock ϕ stops at an "H" level. The states of XIN and XCIN are the same as the state before executing the WIT instruction. The internal clock ϕ restarts at reset or when an interrupt is received. Since the oscillator does not stop, normal operation can be started immediately after the clock is restarted.

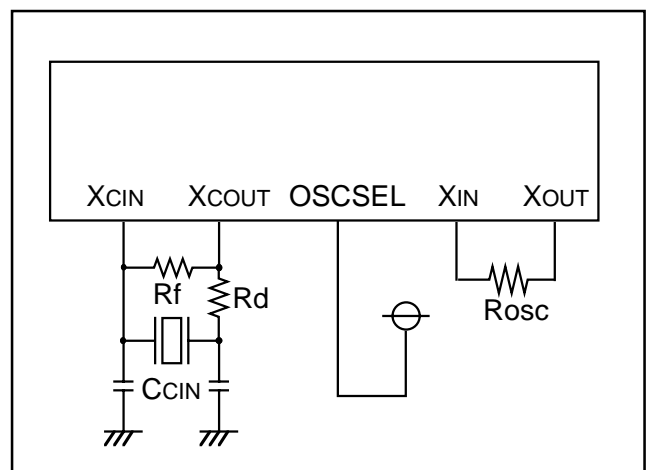


Fig. 36 RC oscillation circuit

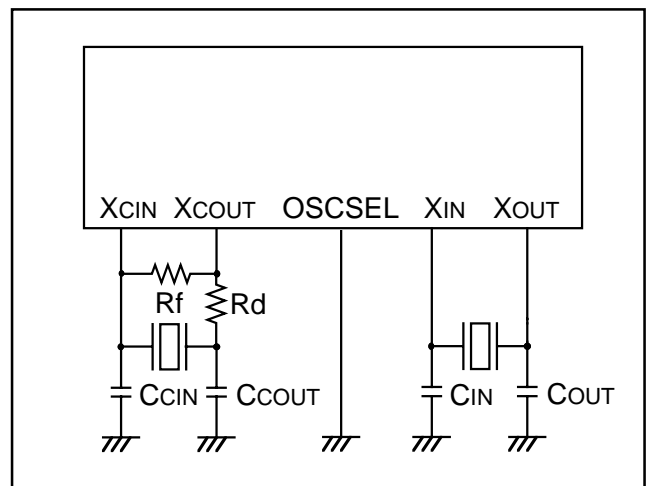


Fig. 37 Resonator circuit

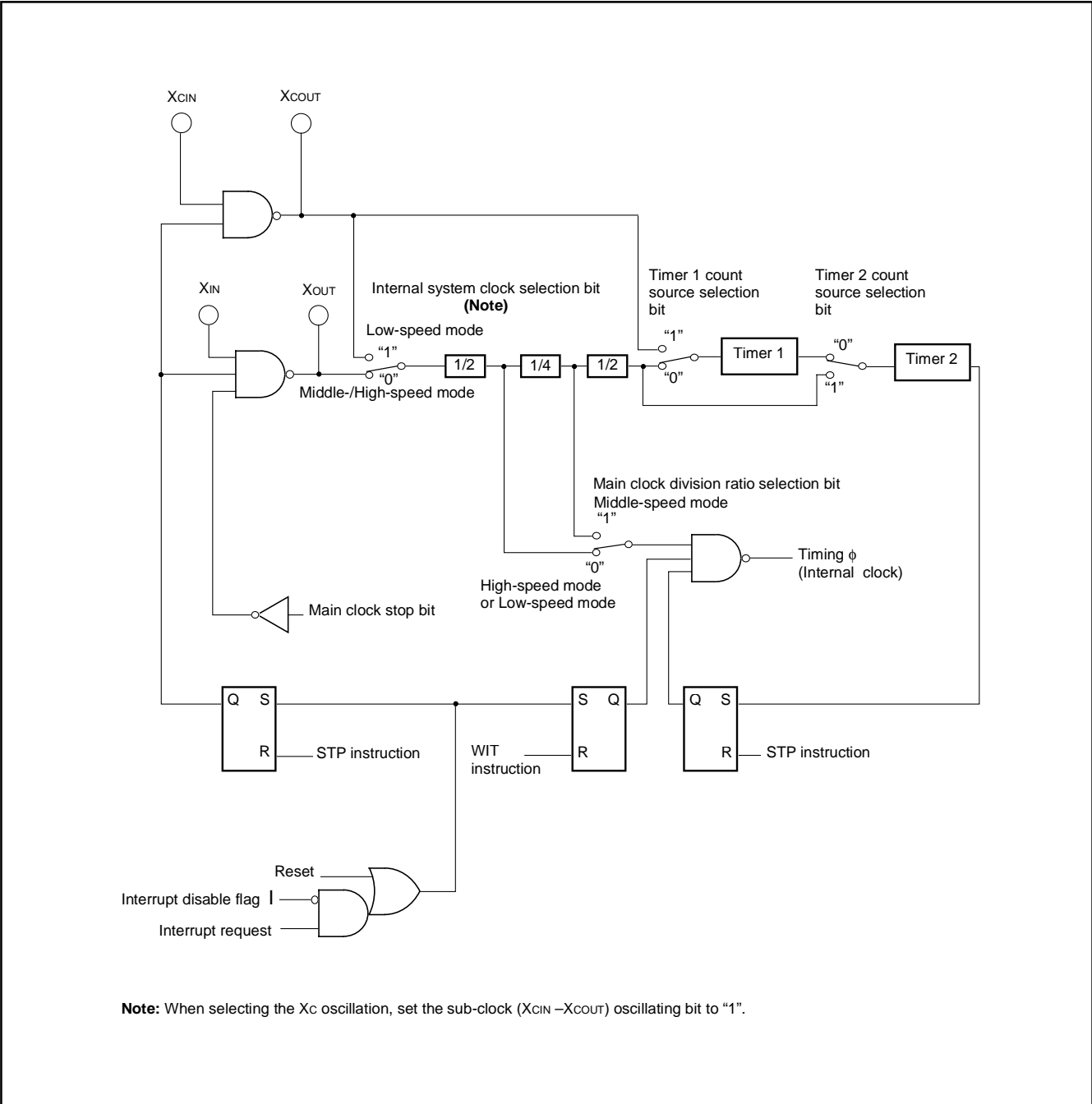
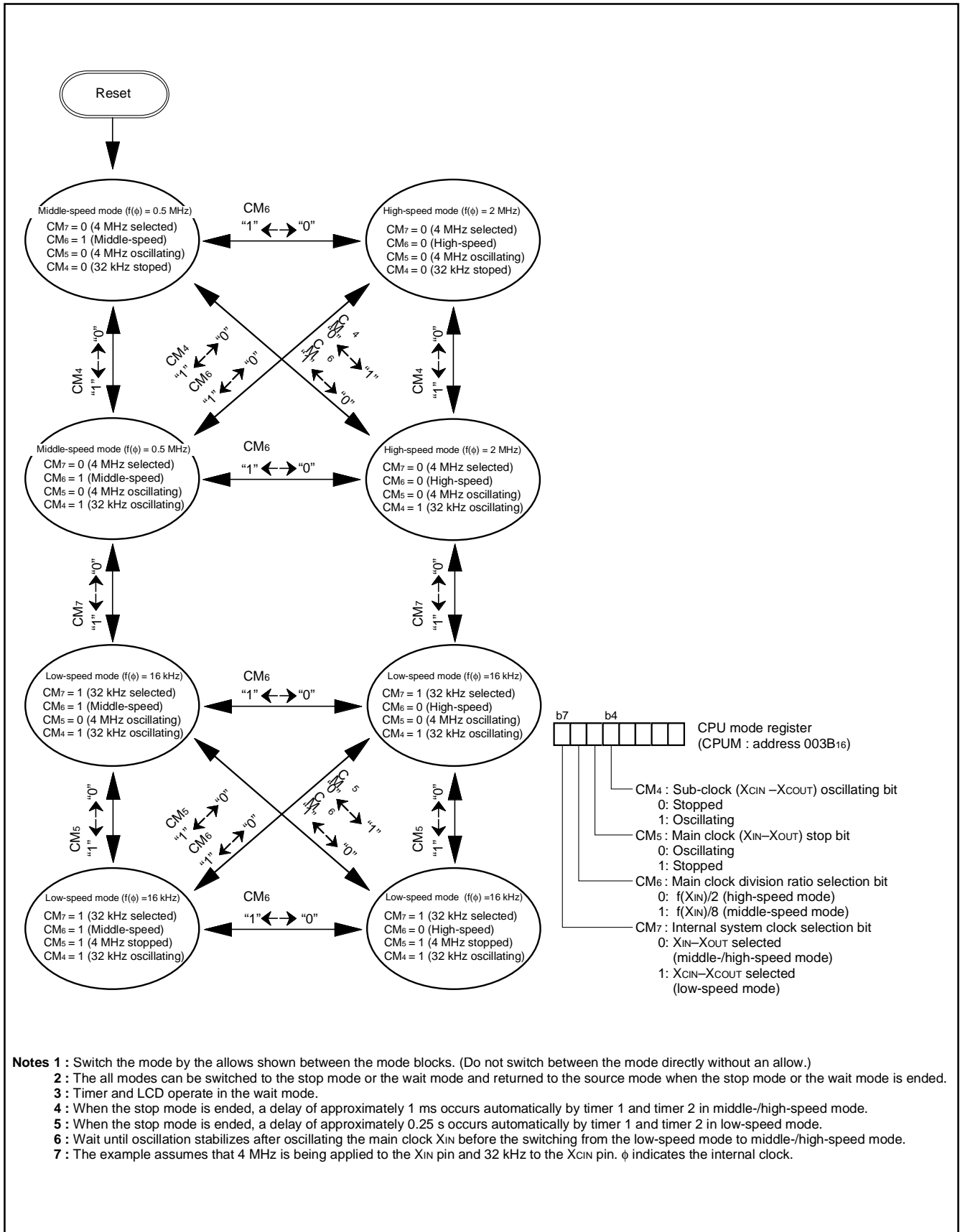


Fig. 38 Clock generating circuit block diagram



- Notes 1:** Switch the mode by the allows shown between the mode blocks. (Do not switch between the mode directly without an allow.)
2: The all modes can be switched to the stop mode or the wait mode and returned to the source mode when the stop mode or the wait mode is ended.
3: Timer and LCD operate in the wait mode.
4: When the stop mode is ended, a delay of approximately 1 ms occurs automatically by timer 1 and timer 2 in middle-/high-speed mode.
5: When the stop mode is ended, a delay of approximately 0.25 s occurs automatically by timer 1 and timer 2 in low-speed mode.
6: Wait until oscillation stabilizes after oscillating the main clock XIN before the switching from the low-speed mode to middle-/high-speed mode.
7: The example assumes that 4 MHz is being applied to the XIN pin and 32 kHz to the XCIN pin. φ indicates the internal clock.

Fig. 39 State transitions of system clock

NOTES ON PROGRAMMING

Processor Status Register

The contents of the processor status register (PS) after a reset are undefined, except for the interrupt disable flag (I) which is "1". After a reset, initialize flags which affect program execution. In particular, it is essential to initialize the index X mode (T) and the decimal mode (D) flags because of their effect on calculations.

Interrupts

The contents of the interrupt request bits do not change immediately after they have been written. After writing to an interrupt request register, execute at least one instruction before performing a BBC or BBS instruction.

Decimal Calculations

- To calculate in decimal notation, set the decimal mode flag (D) to "1", then execute an ADC or SBC instruction. After executing an ADC or SBC instruction, execute at least one instruction before executing a SEC, CLC, or CLD instruction.
- In decimal mode, the values of the negative (N), overflow (V), and zero (Z) flags are invalid.

Timers

If a value n (between 0 and 255) is written to a timer latch, the frequency division ratio is $1/(n+1)$.

Multiplication and Division Instructions

- The index X mode (T) and the decimal mode (D) flags do not affect the MUL and DIV instruction.
- The execution of these instructions does not change the contents of the processor status register.

Ports

The contents of the port direction registers cannot be read. The following cannot be used:

- The data transfer instruction (LDA, etc.)
- The operation instruction when the index X mode flag (T) is "1"
- The addressing mode which uses the value of a direction register as an index
- The bit-test instruction (BBC or BBS, etc.) to a direction register
- The read-modify-write instructions (ROR, CLB, or SEB, etc.) to a direction register.

Use instructions such as LDM and STA, etc., to set the port direction registers.

Serial I/O

In clock synchronous serial I/O, if the receive side is using an external clock and it is to output the $\overline{\text{SRDY}}$ signal, set the transmit enable bit, the receive enable bit, and the $\overline{\text{SRDY}}$ output enable bit to "1".

Serial I/O continues to output the final bit from the TxD pin after transmission is completed.

A-D Converter

The comparator is constructed linked to a capacitor. When the conversion speed is not enough, the conversion accuracy might be ruined by the disappearance of the charge. When A-D conversion is performed, set $f(\text{XIN})$ to at least 500 kHz.

When the following operations are performed, the A-D conversion operation cannot be guaranteed.

- When the CPU mode register is operated during A-D conversion operation,
- When the A-D control register is operated during A-D conversion operation,
- When STP or WIT instruction is executed during A-D conversion operation.

Instruction Execution Time

The instruction execution time is obtained by multiplying the frequency of the internal clock ϕ by the number of cycles needed to execute an instruction.

The number of cycles required to execute an instruction is shown in the list of machine instructions.

LCD Control

When using the voltage multiplier, apply prescribed voltage to the VLIN pin in the state in which the LCD enable bit is "0", and set the voltage multiplier enable bit to "1".

NOTES ON USE
Countermeasures Against Noise

(1) Shortest wiring length

① Wiring for $\overline{\text{RESET}}$ pin

Make the length of wiring which is connected to the $\overline{\text{RESET}}$ pin as short as possible. Especially, connect a capacitor across the $\overline{\text{RESET}}$ pin and the Vss pin with the shortest possible wiring (within 20mm).

● Reason

The width of a pulse input into the $\overline{\text{RESET}}$ pin is determined by the timing necessary conditions. If noise having a shorter pulse width than the standard is input to the $\overline{\text{RESET}}$ pin, the reset is released before the internal state of the microcomputer is completely initialized. This may cause a program runaway.

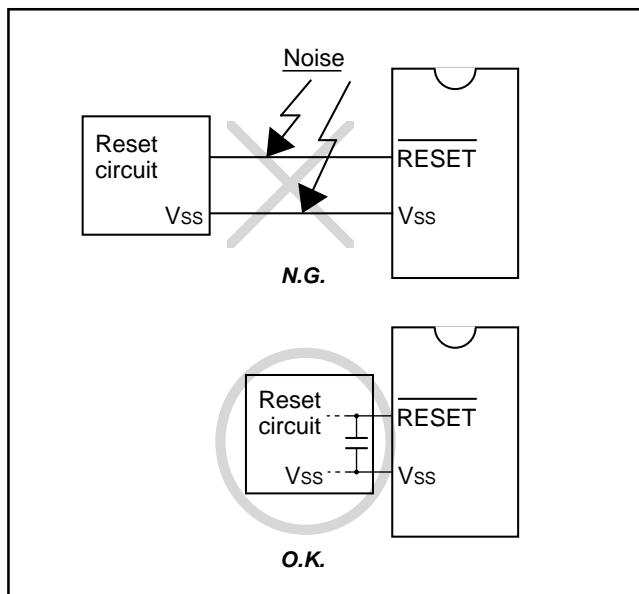


Fig. 40 Wiring for the $\overline{\text{RESET}}$ pin

② Wiring for clock input/output pins

- Make the length of wiring which is connected to clock I/O pins as short as possible.
- Make the length of wiring (within 20 mm) across the grounding lead of a capacitor which is connected to an oscillator and the Vss pin of a microcomputer as short as possible.
- Separate the Vss pattern only for oscillation from other Vss patterns.

● Reason

If noise enters clock I/O pins, clock waveforms may be deformed. This may cause a program failure or program runaway. Also, if a potential difference is caused by the noise between the Vss level of a microcomputer and the Vss level of an oscillator, the correct clock will not be input in the microcomputer.

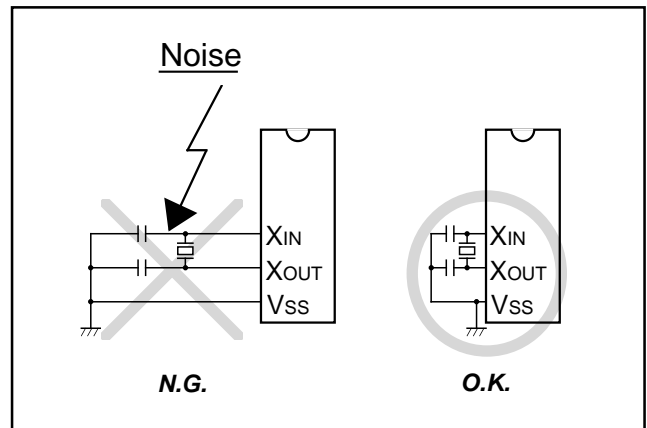


Fig. 41 Wiring for clock I/O pins

(2) Connection of bypass capacitor across Vss line and Vcc line

In order to stabilize the system operation and avoid the latch-up, connect an approximately 0.1 μF bypass capacitor across the Vss line and the Vcc line as follows:

- Connect a bypass capacitor across the Vss pin and the Vcc pin at equal length.
- Connect a bypass capacitor across the Vss pin and the Vcc pin with the shortest possible wiring.
- Use lines with a larger diameter than other signal lines for Vss line and Vcc line.
- Connect the power source wiring via a bypass capacitor to the Vss pin and the Vcc pin.

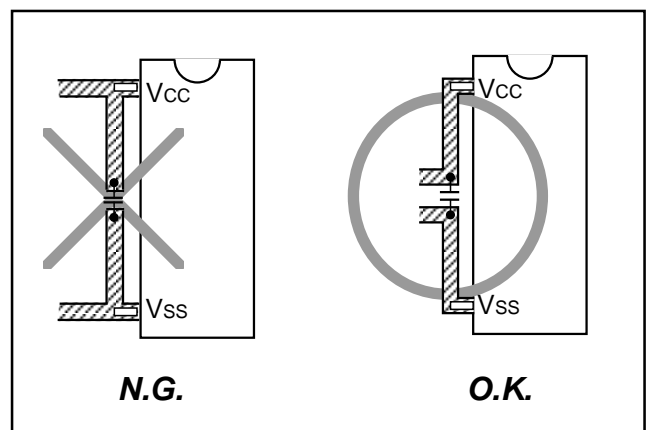


Fig. 42 Bypass capacitor across the Vss line and the Vcc line

(3) Oscillator concerns

In order to obtain the stabilized operation clock on the user system and its condition, contact the oscillator manufacturer and select the oscillator and oscillation circuit constants. Be careful especially when range of voltage or/and temperature is wide.

Also, take care to prevent an oscillator that generates clocks for a microcomputer operation from being affected by other signals.

- ① Keeping oscillator away from large current signal lines
Install a microcomputer (and especially an oscillator) as far as possible from signal lines where a current larger than the tolerance of current value flows.

- Reason
In the system using a microcomputer, there are signal lines for controlling motors, LEDs, and thermal heads or others. When a large current flows through those signal lines, strong noise occurs because of mutual inductance.

- ② Installing oscillator away from signal lines where potential levels change frequently
Install an oscillator and a connecting pattern of an oscillator away from signal lines where potential levels change frequently. Also, do not cross such signal lines over the clock lines or the signal lines which are sensitive to noise.

- Reason
Signal lines where potential levels change frequently (such as the CNTR pin signal line) may affect other lines at signal rising edge or falling edge. If such lines cross over a clock line, clock waveforms may be deformed, which causes a microcomputer failure or a program runaway.

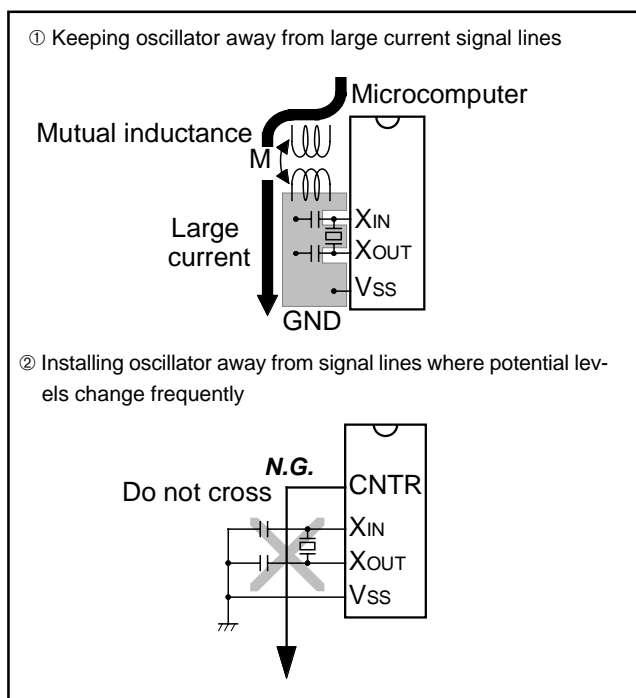


Fig. 43 Wiring for a large current signal line/Wiring of signal lines where potential levels change frequently

(4) Analog input

The analog input pin is connected to the capacitor of a comparator. Accordingly, sufficient accuracy may not be obtained by the charge/discharge current at the time of A-D conversion when the analog signal source of high-impedance is connected to an analog input pin. In order to obtain the A-D conversion result stabilized more, please lower the impedance of an analog signal source, or add the smoothing capacitor to an analog input pin.

- (5) Difference of memory type and size
When Mask ROM and PROM version and memory size differ in one group, actual values such as an electrical characteristics, A-D conversion accuracy, and the amount of proof of noise incorrect operation may differ from the ideal values.
When these products are used switching, perform system evaluation for each product of every after confirming product specification.

- (6) Wiring to VPP pin of One Time PROM version
Connect an approximately 5 kΩ resistor to the VPP pin the shortest possible in series.

Note: Even when a circuit which included an approximately 5 kΩ resistor is used in the Mask ROM version, the microcomputer operates correctly.

- Reason
The VPP pin of the One Time PROM version is the power source input pin for the built-in PROM. When programming in the built-in PROM, the impedance of the VPP pin is low to allow the electric current for writing flow into the built-in PROM. Because of this, noise can enter easily. If noise enters the VPP pin, abnormal instruction codes or data are read from the built-in PROM, which may cause a program runaway.

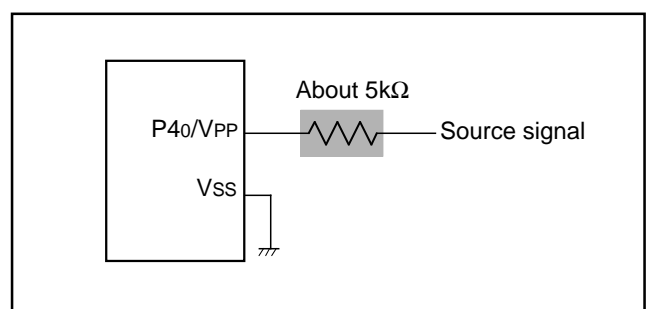


Fig. 44 Wiring for the VPP pin of One Time PROM

DATA REQUIRED FOR MASK ORDERS

The following are necessary when ordering a mask ROM production:

1. Mask ROM Order Confirmation Form*
2. Mask Specification Form*
3. Data to be written to ROM, in EPROM form (three identical copies) or one floppy disk.

*For the mask ROM confirmation and the mask specifications, refer to the "Mitsubishi MCU Technical Information" Homepage (<http://www.infocom.maec.co.jp/indexe.htm>).

ROM PROGRAMMING METHOD

The built-in PROM of the blank One Time PROM version and built-in EPROM version can be read or programmed with a general-purpose PROM programmer using a special programming adapter (PCA7447FP).

Table 10 Programming adapter

| Package | Name of Programming Adapter |
|----------|-----------------------------|
| 144P6Q-A | PCA7447FP |

The PROM of the blank One Time PROM version is not tested or screened in the assembly process and following processes. To ensure proper operation after programming, the procedure shown in Figure 45 is recommended to verify programming.

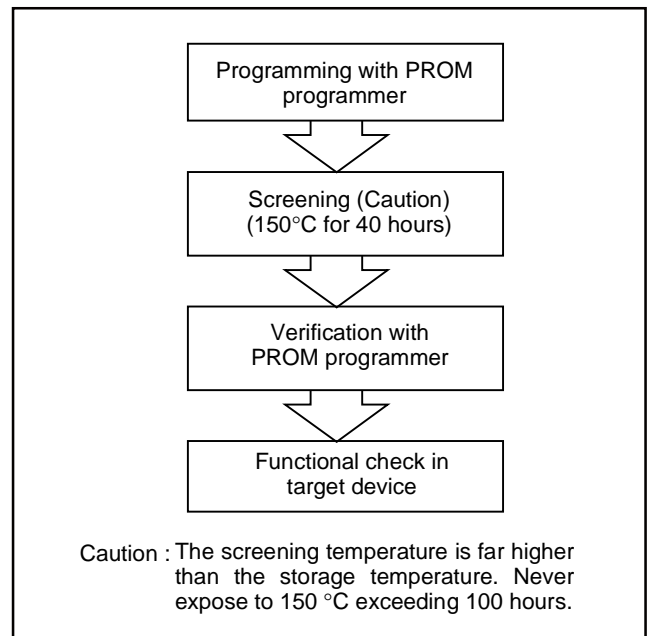


Fig. 45 Programming and testing of One Time PROM version

ELECTRICAL CHARACTERISTICS

Table 11 Absolute maximum ratings

| Symbol | Parameter | Conditions | Ratings | Unit |
|------------------|---|---|------------------------------|------|
| V _{CC} | Power source voltage | | -0.3 to 7.0 | V |
| V _I | Input voltage P00-P07, P10-P17, P20-P27, P30-P33, P40-P47 | All voltages are based on V _{SS} . Output transistors are cut off. | -0.3 to V _{CC} +0.3 | V |
| V _I | Input voltage C1, C2 | | -0.3 to 7.0 | V |
| V _I | Input voltage RESET, X _{IN} , X _{CIN} | | -0.3 to V _{CC} +0.3 | V |
| V _I | Input voltage V _{LIN} | When voltage multiplier is not operated. | -0.3 to 7.0 | V |
| V _I | Input voltage V _{L1} , V _{L2} , V _{L3} , V _{L4} , V _{L5} | V _{L1} ≤ V _{L2} ≤ V _{L3} ≤ V _{L4} ≤ V _{L5} | -0.3 to 7.0 | V |
| V _O | Output voltage P00-P07, P10-P17, P20-P27, P30-P33, P41-P47 | | -0.3 to V _{CC} +0.3 | V |
| V _O | Output voltage C1, C2, C3 | | -0.3 to 7.0 | V |
| V _O | Output voltage COM0-COM31, SEG0-SEG67 | | -0.3 to V _{L5} +0.3 | V |
| V _O | Output voltage X _{OUT} , X _{COU} T | | -0.3 to V _{CC} +0.3 | V |
| P _d | Power dissipation | T _a = 25°C | 300 | mW |
| T _{opr} | Operating temperature | | -20 to 85 | °C |
| T _{stg} | Storage temperature | | -40 to 125 | °C |

Table 12 Recommended operating conditions (V_{CC} = 2.2 to 5.5 V, T_a = -20 to 85°C, unless otherwise noted)

| Symbol | Parameter | | Limits | | | Unit |
|------------------------|--|---|--------------------|------|--------------------|------|
| | | | Min. | Typ. | Max. | |
| V _{CC} | Power source voltage | High-speed mode f(X _{IN}) ≤ 8 MHz | 4.0 | 5.0 | 5.5 | V |
| | | Middle-speed mode f(X _{IN}) ≤ 8 MHz | 2.7 | 5.0 | 5.5 | V |
| | | Middle-speed mode (mask ROM version) f(X _{IN}) ≤ 4 MHz | 2.2 | 5.0 | 5.5 | V |
| | | Middle-speed mode (One Time PROM version) f(X _{IN}) ≤ 4 MHz | 2.5 | 5.0 | 5.5 | V |
| | | Low-speed mode (mask ROM version) | 2.2 | 5.0 | 5.5 | V |
| | | Low-speed mode (One Time PROM version) | 2.5 | 5.0 | 5.5 | V |
| V _{SS} | Power source voltage | | 0 | | V | |
| V _{LIN} | Power source voltage | V _{LIN} | | | 2.33 | V |
| V _{L5} | Power source voltage | V _{L5} | | | 7.0 | V |
| V _{IA} | Analog input voltage | A _{IN0} -A _{IN7} | V _{SS} | | V _{CC} | V |
| V _{IH} | "H" input voltage | P00-P07, P10-P17, P45, P47 | 0.7V _{CC} | | V _{CC} | V |
| V _{IH} | "H" input voltage | P20-P27, P30-P33, P40-P43, P44, P46 | 0.8V _{CC} | | V _{CC} | V |
| V _{IH} | "H" input voltage | RESET | 0.8V _{CC} | | V _{CC} | V |
| V _{IH} | "H" input voltage | X _{IN} | 0.8V _{CC} | | V _{CC} | V |
| V _{IL} | "L" input voltage | P00-P07, P10-P17, P45, P47 | V _{SS} | | 0.3V _{CC} | V |
| V _{IL} | "L" input voltage | P20-P27, P30-P33, P40-P43, P44, P46 | V _{SS} | | 0.2V _{CC} | V |
| V _{IL} | "L" input voltage | RESET | V _{SS} | | 0.2V _{CC} | V |
| V _{IL} | "L" input voltage | X _{IN} | V _{SS} | | 0.2V _{CC} | V |
| ΣI _{OH(peak)} | "H" total peak output current | All ports (Note 1) | | | -60.0 | mA |
| ΣI _{OL(peak)} | "L" total peak output current | All ports (Note 1) | | | 60.0 | mA |
| ΣI _{OH(avg)} | "H" total average output current | All ports (Note 2) | | | -30.0 | mA |
| ΣI _{OL(avg)} | "L" total average output current | All ports (Note 2) | | | 30.0 | mA |
| I _{OH(peak)} | "H" peak output current | All ports (Note 3) | | | -5.0 | mA |
| I _{OL(peak)} | "L" peak output current | All ports (Note 3) | | | 10.0 | mA |
| I _{OH(avg)} | "H" average output current | All ports (Note 4) | | | -2.5 | mA |
| I _{OL(avg)} | "L" average output current | All ports (Note 4) | | | 5.0 | mA |
| ROSC | Oscillation resistor at selecting RC oscillation | | 5 | 8.2 | 10 | kΩ |

- Notes 1:** The total peak output current is the peak value of the peak currents flowing through all the applicable ports.
2: The total average output current is the average value measured over 100 ms flowing through all the applicable ports.
3: The peak output current is the peak current flowing in each port.
4: The average output current is an average value measured over 100 ms.

Table 13 Recommended operating conditions (mask ROM version) ($V_{CC} = 2.2$ to 5.5 V, $T_a = -20$ to 85°C , unless otherwise noted)

| Symbol | Parameter | Conditions | Limits | | | Unit |
|--|---|---|--------|--------|---------------------------|------|
| | | | Min. | Typ. | Max. | |
| f(CNTR ₀) f(CNTR ₁) | Timer X, timer Y input frequency (duty cycle 50%) | | | | f(X _{IN})/2 | Hz |
| f(X _{IN}) | Main clock input oscillation frequency (Note 1) | High-speed mode ($4.0\text{ V} \leq V_{CC} \leq 5.5\text{ V}$) | | | 8.0 | MHz |
| | | High-speed mode ($2.2\text{ V} \leq V_{CC} < 4.0\text{ V}$) | | | $2.9 \times V_{CC} - 3.6$ | MHz |
| | | Middle-speed mode ($2.7\text{ V} \leq V_{CC} \leq 5.5\text{ V}$) | | | 8.0 | MHz |
| | | Middle-speed mode ($2.2\text{ V} \leq V_{CC} < 2.7\text{ V}$) | | | $8 \times (V_{CC} - 1.7)$ | MHz |
| f(X _{CIN}) | Sub-clock input oscillation frequency (Notes 1, 2) | | | 32.768 | 50 | kHz |

Notes 1: When the oscillation frequency has a duty cycle of 50 %.

2: When using the microcomputer in low-speed mode, set the sub-clock input oscillation frequency on condition that $f(X_{CIN}) < f(X_{IN})/3$.

Table 14 Recommended operating conditions (PROM version) ($V_{CC} = 2.5$ to 5.5 V, $T_a = -20$ to 85°C , unless otherwise noted)

| Symbol | Parameter | Conditions | Limits | | | Unit |
|--|---|---|--------|--------|----------------------------|------|
| | | | Min. | Typ. | Max. | |
| f(CNTR ₀) f(CNTR ₁) | Timer X, timer Y input frequency (duty cycle 50%) | | | | f(X _{IN})/2 | Hz |
| f(X _{IN}) | Main clock input oscillation frequency (Note 1) | High-speed mode ($4.0\text{ V} \leq V_{CC} \leq 5.5\text{ V}$) | | | 8.0 | MHz |
| | | High-speed mode ($2.5\text{ V} \leq V_{CC} < 4.0\text{ V}$) | | | $4 \times V_{CC} - 8$ | MHz |
| | | Middle-speed mode ($2.7\text{ V} \leq V_{CC} \leq 5.5\text{ V}$) | | | 8.0 | MHz |
| | | Middle-speed mode ($2.5\text{ V} \leq V_{CC} < 2.7\text{ V}$) | | | $20 \times (V_{CC} - 2.3)$ | MHz |
| f(X _{CIN}) | Sub-clock input oscillation frequency (Notes 1, 2) | | | 32.768 | 50 | kHz |

Notes 1: When the oscillation frequency has a duty cycle of 50 %.

2: When using the microcomputer in low-speed mode, set the sub-clock input oscillation frequency on condition that $f(X_{CIN}) < f(X_{IN})/3$.

Table 15 Electrical characteristics (V_{CC} = 2.2 to 5.5 V, T_a = -20 to 85°C, unless otherwise noted)

| Symbol | Parameter | Test conditions | Limits | | | Unit |
|-----------------|--|--|----------------------|--------|--------|------|
| | | | Min. | Typ. | Max. | |
| VOH | “H” output voltage P00–P07, P10–P17, P30–P33 | I _{OH} = -5.0 mA V _{CC} = 5.0 V | V _{CC} -2.0 | | | V |
| | | I _{OH} = -1.5 mA V _{CC} = 5.0 V | V _{CC} -0.5 | | | V |
| | | I _{OH} = -1.25 mA V _{CC} = 2.2 V | V _{CC} -1.0 | | | V |
| VOH | “H” output voltage P20–P27, P41–P47 | I _{OH} = -5.0 mA V _{CC} = 5.0 V | V _{CC} -2.0 | | | V |
| | | I _{OH} = -1.5 mA V _{CC} = 5.0 V | V _{CC} -0.5 | | | V |
| | | I _{OH} = -1.25 mA V _{CC} = 2.2 V | V _{CC} -1.0 | | | V |
| VOL | “L” output voltage P00–P07, P10–P17, P30–P33 | I _{OL} = 5.0 mA V _{CC} = 5.0 V | | | 2.0 | V |
| | | I _{OL} = 1.5 mA V _{CC} = 5.0 V | | | 0.5 | V |
| | | I _{OL} = 1.25 mA V _{CC} = 2.2 V | | | 1.0 | V |
| VOL | “L” output voltage P20–P27, P41–P47 | I _{OL} = 5.0 mA V _{CC} = 5.0 V | | | 2.0 | V |
| | | I _{OL} = 1.5 mA V _{CC} = 5.0 V | | | 0.5 | V |
| | | I _{OL} = 1.25 mA V _{CC} = 2.2 V | | | 1.0 | V |
| VT+–VT- | Hysteresis INT0, INT1, ADT, CNTR0, CNTR1, P20–P27 | | | 0.5 | | V |
| VT+–VT- | Hysteresis SCLK, RxD | | | 0.5 | | V |
| VT+–VT- | Hysteresis RESET | | | 0.5 | | V |
| I _{IH} | “H” input current All ports | | | | 5.0 | μA |
| I _{IH} | “H” input current RESET | | | | 5.0 | μA |
| I _{IH} | “H” input current XIN | | | 4.0 | | μA |
| I _{IL} | “L” input current All ports | V _I = V _{SS} Pull-ups “off” | | | -5.0 | μA |
| | | V _{CC} = 5.0 V, V _I = V _{SS} Pull-ups “on” | -60.0 | -120.0 | -240.0 | μA |
| | | V _{CC} = 2.2 V, V _I = V _{SS} Pull-ups “on” | -5.0 | -20.0 | -40.0 | μA |
| I _{IL} | “L” input current RESET | V _I = V _{SS} | | | -5.0 | μA |
| I _{IL} | “L” input current XIN | V _I = V _{SS} | | -4.0 | | μA |

Table 16 Electrical characteristics ($V_{CC} = 2.2$ to 5.5 V, $T_a = -20$ to 85°C , unless otherwise noted)

| Symbol | Parameter | Test conditions | Limits | | | Unit |
|--------|-------------------------------|---|-----------------------------------|---|------|---------------|
| | | | Min. | Typ. | Max. | |
| VRAM | RAM hold voltage | When clock is stopped | 2.0 | 5.0 | 5.5 | V |
| ICC | Power source current | High-speed mode, $V_{CC} = 5.0$ V $f(X_{IN}) = 8.0$ MHz $f(X_{CIN}) = 32.768$ kHz | | 5.5 | 11.0 | mA |
| | | Middle-speed mode, $V_{CC} = 5.0$ V $f(X_{IN}) = 8.0$ MHz $f(X_{CIN}) = 32.768$ kHz | | 3.0 | 6.0 | mA |
| | | Middle-speed mode, $V_{CC} = 3.0$ V $f(X_{IN}) = 8.0$ MHz $f(X_{CIN}) = 32.768$ kHz | | 1.0 | 2.0 | mA |
| | | Low-speed mode, $V_{CC} = 3.0$ V, $f(X_{IN}) =$ stopped $f(X_{CIN}) = 32.768$ kHz | | 20.0 | 40.0 | μA |
| | | High-/Middle-speed mode, $V_{CC} = 5.0$ V, $f(X_{IN}) = 8.0$ MHz (in WIT state) $f(X_{CIN}) = 32.768$ kHz | | 0.9 | 1.8 | mA |
| | | High-/Middle-speed mode, $V_{CC} = 3.0$ V $f(X_{IN}) = 8.0$ MHz (in WIT state) $f(X_{CIN}) = 32.768$ kHz | | 0.3 | 0.6 | mA |
| | | Low-speed mode, $V_{CC} = 3.0$ V, $f(X_{IN}) =$ stopped $f(X_{CIN}) = 32.768$ kHz (in WIT state) | | 4.5 | 9.0 | μA |
| | | All oscillation stopped $T_a = 25^\circ\text{C}$, Output transistors "off" (in STP state) | | 0.1 | 1.0 | μA |
| | | All oscillation stopped $T_a = 85^\circ\text{C}$, Output transistors "off" (in STP state) | | | 10.0 | μA |
| | | IAD | A-D converter current dissipation | Current increase at A-D converter operated, $f(X_{IN}) = 8.0$ MHz | | 0.8 |
| IL5 | V_{L5} input current (Note) | $V_{L5} = 6.0$ V, $T_a = 25^\circ\text{C}$ | | 3 | 6 | μA |
| FROSC | RC oscillation frequency | $R_{OSC} = 8.2$ k Ω | 1.5 | 2.5 | 3.5 | MHz |

Note: When normal drivability (drivability selection bit 1 = "0", drivability selection bit 2 = "0") is selected.

Table 17 A-D converter characteristics

(V_{CC} = 2.2 to 5.5 V, V_{SS} = 0 V, T_a = -20 to 85°C, f(X_{IN}) ≤ 4 MHz, in middle-speed/high-speed mode)

| Symbol | Parameter | Test conditions | Limits | | | Unit |
|-------------------|---|---|--------|------|------|------|
| | | | Min. | Typ. | Max. | |
| — | Resolution | | | | 10 | Bits |
| — | Absolute accuracy (excluding quantization error) | V _{CC} = 2.7–5.5 V | | | ±4 | LSB |
| | | V _{CC} = 2.5–2.7 V (T _a = -10 to 50 °C) | | | ±6 | LSB |
| t _{conv} | Conversion time | f(X _{IN}) = 4 MHz (Note) | 30.5 | | 34 | μs |
| I _{IA} | Analog port input current | | | 0.5 | 5.0 | μA |

Note: When main clock is selected as system clock.

Table 18 Timing requirements 1 (V_{CC} = 4.0 to 5.5 V, V_{SS} = 0 V, T_a = -20 to 85°C, unless otherwise noted)

| Symbol | Parameter | Limits | | | Unit |
|------------------------------------|---|--------|------|------|------|
| | | Min. | Typ. | Max. | |
| t _w (RESET) | Reset input “L” pulse width | 2 | | | μs |
| t _c (X _{IN}) | Main clock input cycle time (X _{IN} input) | 125 | | | ns |
| t _{wH} (X _{IN}) | Main clock input “H” pulse width | 45 | | | ns |
| t _{wL} (X _{IN}) | Main clock input “L” pulse width | 40 | | | ns |
| t _c (CNTR) | CNTR ₀ , CNTR ₁ input cycle time | 250 | | | ns |
| t _{wH} (CNTR) | CNTR ₀ , CNTR ₁ input “H” pulse width | 105 | | | ns |
| t _{wL} (CNTR) | CNTR ₀ , CNTR ₁ input “L” pulse width | 105 | | | ns |
| t _{wH} (INT) | INT ₀ , INT ₁ input “H” pulse width | 80 | | | ns |
| t _{wL} (INT) | INT ₀ , INT ₁ input “L” pulse width | 80 | | | ns |
| t _c (SCLK) | Serial I/O clock input cycle time (Note) | 800 | | | ns |
| t _{wH} (SCLK) | Serial I/O clock input “H” pulse width (Note) | 370 | | | ns |
| t _{wL} (SCLK) | Serial I/O clock input “L” pulse width (Note) | 370 | | | ns |
| t _{su} (RxD-SCLK) | Serial I/O input setup time | 220 | | | ns |
| t _h (SCLK-RxD) | Serial I/O input hold time | 100 | | | ns |

Note: When bit 6 of address 001A₁₆ is “1”.

Divide this value by four when bit 6 of address 001A₁₆ is “0”.

Table 19 Timing requirements 2 (mask ROM version) (V_{CC} = 2.2 to 4.0 V, V_{SS} = 0 V, T_a = -20 to 85°C, unless otherwise noted)

| Symbol | Parameter | Limits | | | Unit |
|------------------------------------|--|----------------------------|------|------|------|
| | | Min. | Typ. | Max. | |
| t _w (RESET) | Reset input “L” pulse width | 2 | | | μs |
| t _c (X _{IN}) | Main clock input cycle time (X _{IN} input) V _{CC} = 2.7 to 4.0 V | 125 | | | ns |
| | Main clock input cycle time (X _{IN} input) V _{CC} = 2.2 to 2.7 V | 250 | | | ns |
| t _{wH} (X _{IN}) | Main clock input “H” pulse width V _{CC} = 2.7 to 4.0 V | 45 | | | ns |
| | Main clock input “H” pulse width V _{CC} = 2.2 to 2.7 V | 100 | | | ns |
| t _{wL} (X _{IN}) | Main clock input “L” pulse width V _{CC} = 2.7 to 4.0 V | 40 | | | ns |
| | Main clock input “L” pulse width V _{CC} = 2.2 to 2.7 V | 100 | | | ns |
| t _c (CNTR) | CNTR ₀ , CNTR ₁ input cycle time | 2/f(X _{IN}) | | | s |
| t _{wH} (CNTR) | CNTR ₀ , CNTR ₁ input “H” pulse width | t _c (CNTR)/2–20 | | | ns |
| t _{wL} (CNTR) | CNTR ₀ , CNTR ₁ input “L” pulse width | t _c (CNTR)/2–20 | | | ns |
| t _{wH} (INT) | INT ₀ , INT ₁ input “H” pulse width | 230 | | | ns |
| t _{wL} (INT) | INT ₀ , INT ₁ input “L” pulse width | 230 | | | ns |
| t _c (SCLK) | Serial I/O clock input cycle time (Note) | 2000 | | | ns |
| t _{wH} (SCLK) | Serial I/O clock input “H” pulse width (Note) | 950 | | | ns |
| t _{wL} (SCLK) | Serial I/O clock input “L” pulse width (Note) | 950 | | | ns |
| t _{su} (RxD-SCLK) | Serial I/O input setup time | 400 | | | ns |
| t _h (SCLK-RxD) | Serial I/O input hold time | 200 | | | ns |

Note: When bit 6 of address 001A₁₆ is “1”.

Divide this value by four when bit 6 of address 001A₁₆ is “0”.

Table 20 Timing requirements 2 (One Time PROM version) ($V_{cc} = 2.5$ to 4.0 V, $V_{ss} = 0$ V, $T_a = -20$ to 85°C , unless otherwise noted)

| Symbol | Parameter | Limits | | | Unit |
|--------------------------------|---|-------------------------|------|------|---------------|
| | | Min. | Typ. | Max. | |
| $t_w(\overline{\text{RESET}})$ | Reset input "L" pulse width | 2 | | | μs |
| $t_c(\text{XIN})$ | Main clock input cycle time (XIN input) $V_{cc} = 2.7$ to 4.0 V | 125 | | | ns |
| | Main clock input cycle time (XIN input) $V_{cc} = 2.5$ to 2.7 V | 250 | | | ns |
| $t_w(\text{XIN})$ | Main clock input "H" pulse width $V_{cc} = 2.7$ to 4.0 V | 45 | | | ns |
| | Main clock input "H" pulse width $V_{cc} = 2.5$ to 2.7 V | 100 | | | ns |
| $t_w(\text{XIN})$ | Main clock input "L" pulse width $V_{cc} = 2.7$ to 4.0 V | 40 | | | ns |
| | Main clock input "L" pulse width $V_{cc} = 2.5$ to 2.7 V | 100 | | | ns |
| $t_c(\text{CNTR})$ | CNTR ₀ , CNTR ₁ input cycle time | $2/f(\text{XIN})$ | | | s |
| $t_w(\text{CNTR})$ | CNTR ₀ , CNTR ₁ input "H" pulse width | $t_c(\text{CNTR})/2-20$ | | | ns |
| $t_w(\text{CNTR})$ | CNTR ₀ , CNTR ₁ input "L" pulse width | $t_c(\text{CNTR})/2-20$ | | | ns |
| $t_w(\text{INT})$ | INT ₀ , INT ₁ input "H" pulse width | 230 | | | ns |
| $t_w(\text{INT})$ | INT ₀ , INT ₁ input "L" pulse width | 230 | | | ns |
| $t_c(\text{SCLK})$ | Serial I/O clock input cycle time (Note) | 2000 | | | ns |
| $t_w(\text{SCLK})$ | Serial I/O clock input "H" pulse width (Note) | 950 | | | ns |
| $t_w(\text{SCLK})$ | Serial I/O clock input "L" pulse width (Note) | 950 | | | ns |
| $t_{su}(\text{RxD-SCLK})$ | Serial I/O input setup time | 400 | | | ns |
| $t_h(\text{SCLK-RxD})$ | Serial I/O input hold time | 200 | | | ns |

Note: When bit 6 of address 001A₁₆ is "1".
Divide this value by four when bit 6 of address 001A₁₆ is "0".

Table 21 Switching characteristics 1 ($V_{cc} = 4.0$ to 5.5 V, $V_{ss} = 0$ V, $T_a = -20$ to 85°C , unless otherwise noted)

| Symbol | Parameter | Limits | | | Unit |
|------------------------|--|-------------------------|------|------|------|
| | | Min. | Typ. | Max. | |
| $t_{wH}(\text{SCLK})$ | Serial I/O clock output "H" pulse width | $t_c(\text{SCLK})/2-30$ | | | ns |
| $t_{wL}(\text{SCLK})$ | Serial I/O clock output "L" pulse width | $t_c(\text{SCLK})/2-30$ | | | ns |
| $t_d(\text{SCLK-TxD})$ | Serial I/O output delay time (Note 1) | | | 140 | ns |
| $t_v(\text{SCLK-TxD})$ | Serial I/O output valid time (Note 1) | -30 | | | ns |
| $t_r(\text{SCLK})$ | Serial I/O clock output rising time | | | 30 | ns |
| $t_f(\text{SCLK})$ | Serial I/O clock output falling time | | | 30 | ns |
| $t_r(\text{CMOS})$ | CMOS output rising time (Note 2) | | 10 | 30 | ns |
| $t_f(\text{CMOS})$ | CMOS output falling time (Note 2) | | 10 | 30 | ns |

Notes 1: When the P45/TxD P-channel output disable bit of the UART control register (bit 4 of address 001B₁₆) is "0".
2: The XOUT and XCOUT pins are excluded.

Table 22 Switching characteristics 2 ($V_{cc} = 2.2$ to 4.0 V, $V_{ss} = 0$ V, $T_a = -20$ to 85°C , unless otherwise noted)

| Symbol | Parameter | Limits | | | Unit |
|------------------------|--|-------------------------|------|------|------|
| | | Min. | Typ. | Max. | |
| $t_{wH}(\text{SCLK})$ | Serial I/O clock output "H" pulse width | $t_c(\text{SCLK})/2-50$ | | | ns |
| $t_{wL}(\text{SCLK})$ | Serial I/O clock output "L" pulse width | $t_c(\text{SCLK})/2-50$ | | | ns |
| $t_d(\text{SCLK-TxD})$ | Serial I/O output delay time (Note 1) | | | 350 | ns |
| $t_v(\text{SCLK-TxD})$ | Serial I/O output valid time (Note 1) | -30 | | | ns |
| $t_r(\text{SCLK})$ | Serial I/O clock output rising time | | | 50 | ns |
| $t_f(\text{SCLK})$ | Serial I/O clock output falling time | | | 50 | ns |
| $t_r(\text{CMOS})$ | CMOS output rising time (Note 2) | | 20 | 50 | ns |
| $t_f(\text{CMOS})$ | CMOS output falling time (Note 2) | | 20 | 50 | ns |

Notes 1: When the P45/TxD P-channel output disable bit of the UART control register (bit 4 of address 001B₁₆) is "0".
2: The XOUT and XCOUT pins are excluded.

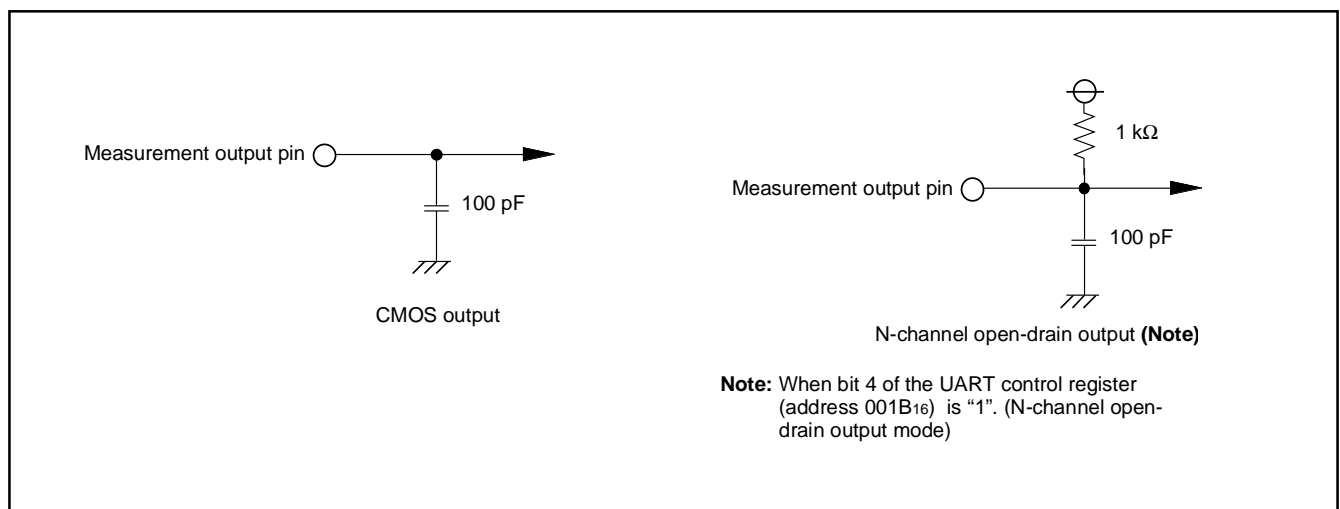


Fig. 46 Circuit for measuring output switching characteristics

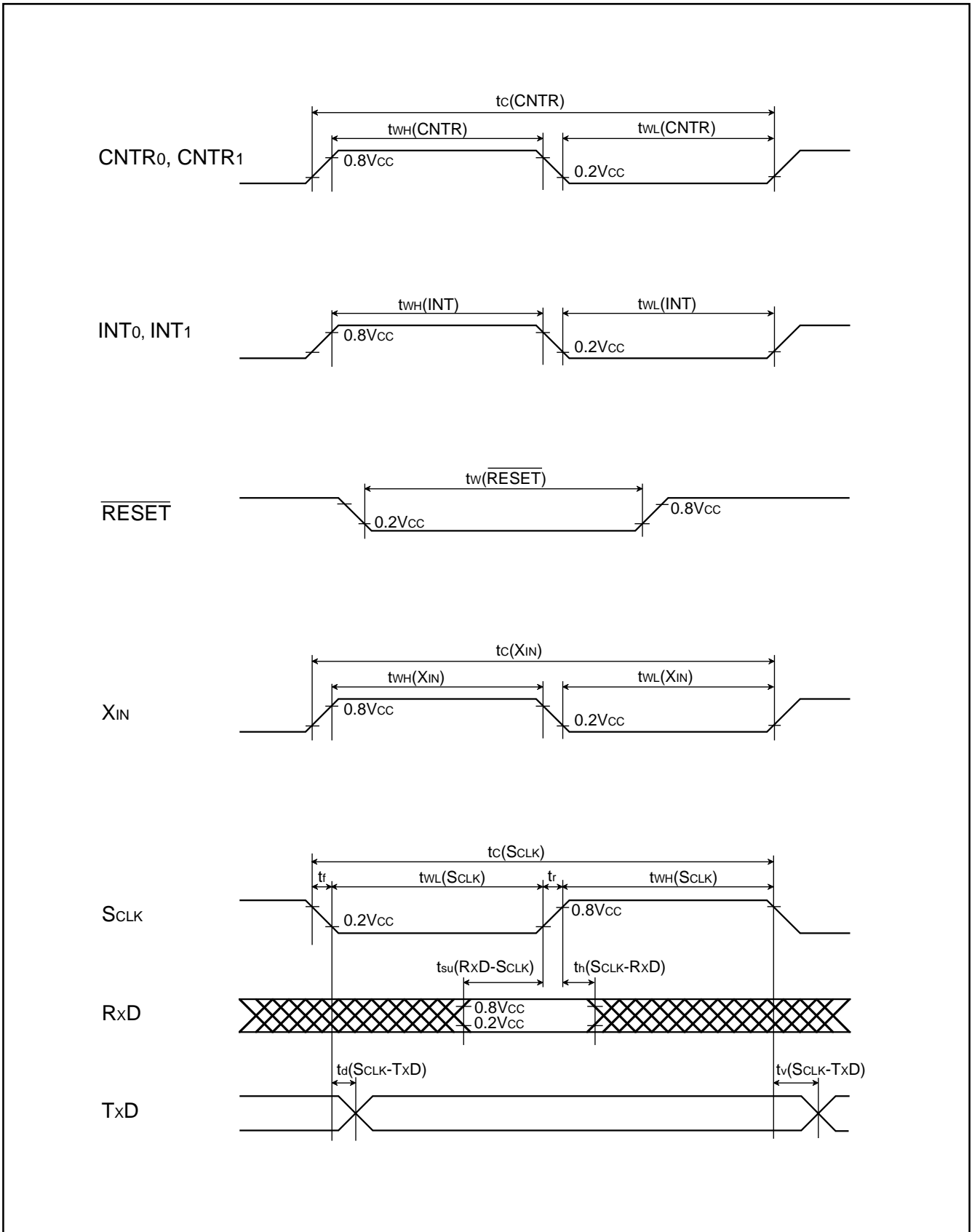


Fig. 47 Timing diagram

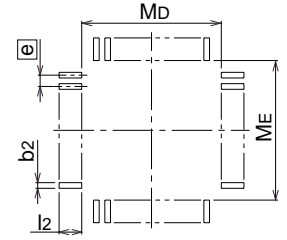
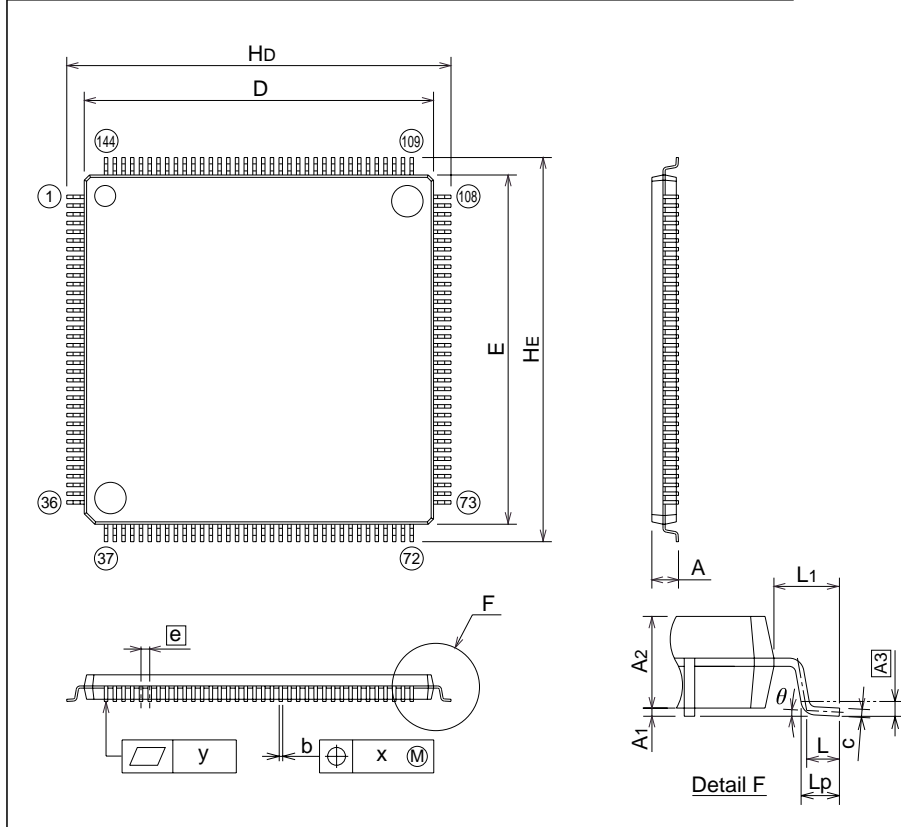
PACKAGE OUTLINE

144P6Q-A



Plastic 144pin 20X20mm body LQFP

| | | | |
|---------------------|------------|-----------|---------------|
| EIAJ Package Code | JEDEC Code | Weight(g) | Lead Material |
| LQFP144-P-2020-0.50 | - | 1.23 | Cu Alloy |



| Symbol | Dimension in Millimeters | | |
|----------|--------------------------|-------|-------|
| | Min | Nom | Max |
| A | - | - | 1.7 |
| A1 | 0.05 | 0.125 | 0.2 |
| A2 | - | 1.4 | - |
| b | 0.17 | 0.22 | 0.27 |
| c | 0.105 | 0.125 | 0.175 |
| D | 19.9 | 20.0 | 20.1 |
| E | 19.9 | 20.0 | 20.1 |
| e | - | 0.5 | - |
| HD | 21.8 | 22.0 | 22.2 |
| HE | 21.8 | 22.0 | 22.2 |
| L | 0.35 | 0.5 | 0.65 |
| L1 | - | 1.0 | - |
| Lp | 0.45 | 0.6 | 0.75 |
| A3 | - | 0.25 | - |
| x | - | - | 0.08 |
| y | - | - | 0.1 |
| θ | 0° | - | 8° |
| b2 | - | 0.225 | - |
| l2 | 0.95 | - | - |
| MD | - | 20.4 | - |
| ME | - | 20.4 | - |

Renesas Technology Corp.

Nippon Bldg.,6-2,Otemachi 2-chome,Chiyoda-ku,Tokyo,100-0004 Japan

Keep safety first in your circuit designs!

- Mitsubishi Electric Corporation puts the maximum effort into making semiconductor products better and more reliable, but there is always the possibility that trouble may occur with them. Trouble with semiconductors may lead to personal injury, fire or property damage. Remember to give due consideration to safety when making your circuit designs, with appropriate measures such as (i) placement of substitutive, auxiliary circuits, (ii) use of non-flammable material or (iii) prevention against any malfunction or mishap.

Notes regarding these materials

- These materials are intended as a reference to assist our customers in the selection of the Mitsubishi semiconductor product best suited to the customer's application; they do not convey any license under any intellectual property rights, or any other rights, belonging to Mitsubishi Electric Corporation or a third party.
- Mitsubishi Electric Corporation assumes no responsibility for any damage, or infringement of any third-party's rights, originating in the use of any product data, diagrams, charts, programs, algorithms, or circuit application examples contained in these materials.
- All information contained in these materials, including product data, diagrams, charts, programs and algorithms represents information on products at the time of publication of these materials, and are subject to change by Mitsubishi Electric Corporation without notice due to product improvements or other reasons. It is therefore recommended that customers contact Mitsubishi Electric Corporation or an authorized Mitsubishi Semiconductor product distributor for the latest product information before purchasing a product listed herein.
- The information described here may contain technical inaccuracies or typographical errors. Mitsubishi Electric Corporation assumes no responsibility for any damage, liability, or other loss rising from these inaccuracies or errors. Please also pay attention to information published by Mitsubishi Electric Corporation by various means, including the Mitsubishi Semiconductor home page (<http://www.mitsubishichips.com>).
- When using any or all of the information contained in these materials, including product data, diagrams, charts, programs, and algorithms, please be sure to evaluate all information as a total system before making a final decision on the applicability of the information and products. Mitsubishi Electric Corporation assumes no responsibility for any damage, liability or other loss resulting from the information contained herein.
- Mitsubishi Electric Corporation semiconductors are not designed or manufactured for use in a device or system that is used under circumstances in which human life is potentially at stake. Please contact Mitsubishi Electric Corporation or an authorized Mitsubishi Semiconductor product distributor when considering the use of a product contained herein for any specific purposes, such as apparatus or systems for transportation, vehicular, medical, aerospace, nuclear, or undersea repeater use.
- The prior written approval of Mitsubishi Electric Corporation is necessary to reprint or reproduce in whole or in part these materials.
- If these products or technologies are subject to the Japanese export control restrictions, they must be exported under a license from the Japanese government and cannot be imported into a country other than the approved destination. Any diversion or reexport contrary to the export control laws and regulations of Japan and/or the country of destination is prohibited.
- Please contact Mitsubishi Electric Corporation or an authorized Mitsubishi Semiconductor product distributor for further details on these materials or the products contained therein.

REVISION HISTORY

38C8 GROUP DATA SHEET

| Rev. | Date | Description | |
|------|----------|---|---|
| | | Page | Summary |
| 1.0 | 01/18/01 | | First Edition |
| 1.1 | 03/21/01 | 2 3 4 14 17 26 33 34 37 37 40 41 42 42 | Figure 1 is partly revised. Figure 2 is partly revised. Pin name into Table 1 is partly revised. Pin name into Table 5 is partly revised. Explanations of "Interrupt Operation" are partly eliminated. Address of [Baud Rate Generator (BRG)] is revised. Figure name of Figure 31 is partly revised. Figure name of Figure 32 is partly revised. Explanations of "CLOCK GENERATING CIRCUIT" are partly revised. Explanations of "(1) Middle-speed Mode" of "Frequency Control" are partly revised. "At STP Instruction Release" is eliminated. Explanations of "DATA REQUIRED FOR MASK ORDERS" are partly revised. Pin name of VIA into Table 11 is revised. Limits of VIH, VIL of P40, P43 are revised. |
| 1.2 | 10/15/01 | 3 15 16 41 42 43 43 43 43 46 46 47 | Figure 2 is partly revised. Figure 11 is partly revised. Figure 12 is partly revised. Table 10 is added. Vcc parameter into Table 12 is partly eliminated. Unit of f(CNTR0), f(CNTR1) into Table 13 is revised. Limits of f(XIN) in high-speed mode ($2.2\text{ V} \leq V_{cc} < 4.0\text{ V}$) into Table 13 is revised. f(XIN) in middle-speed mode ($2.2\text{ V} \leq V_{cc} < 2.7\text{ V}$) into Table 13 is added. Unit of f(CNTR0), f(CNTR1) into Table 14 is revised. f(XIN) in middle-speed mode ($2.5\text{ V} \leq V_{cc} < 2.7\text{ V}$) into Table 14 is added. Limits of tc(XIN), tWH(XIN), tWL(XIN) into Table 19 are added. Limits and unit of tc(CNTR) into Table 19 are revised. Table 20 is added. |
| 1.3 | 12/05/01 | 3 14 17 18 28 28 28 40 | Figure 2 is partly revised. Table 5 is partly revised. Explanations of "■Notes on interrupts" are partly revised. Figure 14 is partly revised. Explanations of "[A-D Control Register (ADCON)]" are partly revised. Explanations of "Comparator and Control Circuit" are partly revised. Figure 25 is partly revised. Explanations of "A-D Converter" of "NOTES ON PROGRAMMING" are partly revised. |
| 1.4 | 06/25/02 | All pages 1 3 4 6 8 9 10 11 14 | Preliminary Notice in the header is eliminated. Interrupts of "[FEATURES]" are corrected. Figure 2 is partly revised. Pin COM0–COM15 in Table 1 is revised. Figure 4 is partly revised. Note in Figure 4 is partly revised. Explanations of bit 3 are added. Bit 4 name in Figure 7 is revised. Remarks in Figure 7 are partly revised. Table 5 is partly revised. |

REVISION HISTORY

38C8 GROUP DATA SHEET

| Rev. | Date | Description | |
|------|----------|--|--|
| | | Page | Summary |
| 1.4 | 06/25/02 | 15 17 19 20 20 21 25 30 31 31 32 35 37 38 39 40 41, 42 44 46 47 | (1) in Figure 11 is partly revised. Some source numbers in "[INTERRUPTS]" are corrected. Figure 15 is partly revised. The mode name (buzzer output mode) in Figure 16 is corrected. The mode name of bit 6 in Figure 17 is corrected. Explanations of "[(2) Buzzer Output Mode]" are partly added. f(XCIN) in Figure 22 is added. Explanations of "[LC2]" are partly revised. Explanations of "[Bias Control]" and "[Voltage Multiplier]" are partly revised. Table 8 is partly revised. Explanations of "[LCD Display RAM]" is partly revised. Note in Figure 33 is eliminated. Explanations of "[(1) Stop Mode]" is partly revised. Note in Figure 38 is partly revised. Bit 4 name in Figure 39 is revised. Explanations of "[A-D Converter]" is partly revised. "[NOTES ON USE]" is added. Table 12 is partly revised. Table 15 is partly revised. Table 16 is partly revised. |
| 1.5 | 10/23/02 | 15 | (3), (4) and (5) in Figure 11 are partly revised. |
| | | | |