

## 8P34S1208-1

2:8 LVDS 1.8V / 2.5V Fanout Buffer for 1PPS and High-Speed Clocks with Individual OE Control

The 8P34S1208-1 is a high-performance differential LVDS fanout buffer. The device is designed for the fanout of 1PPS signals or high-frequency, very low additive phase-noise clock and data signals.

The 8P34S1208-1 supports fail-safe operation and is characterized to operate from a 1.8V or 2.5V power supply. Guaranteed output-to-output and part-to-part skew characteristics make the device ideal for clock distribution applications that demand well-defined performance and repeatability.

Two selectable differential inputs and eight low skew outputs are available. The integrated bias voltage reference enables easy interfacing of single-ended signals to the device inputs. The device is optimized for low power consumption and low additive phase noise.

The 8P34S1208-1 uses AMP\_SEL to control the Output Swing control by output bank, and uses individual OE pins to control output enable/disable, which allows for excellent control over both swing and output enable functions.

### Features

- Eight low skew, low additive jitter LVDS output pairs in two output banks (Q0 to Q3, Q4 to Q7)
- Individual OE control pin for each output
- Bank-selectable pin for bank swing output (Q0 to Q3 as bank 0, Q4 to Q7 as bank 1)
- Two selectable, differential clock input pairs
- Differential CLK, nCLK pairs can accept LVDS and CML differential input levels
- Maximum input clock frequency of 2GHz
- LVCMOS/LVTTL interface levels for the control input-select pin
- Output skew of 20ps (typical)
- Propagation delay of 450ps (maximum)
- Low propagation delay variation across temperature for 1PPS applications
- Low additive phase jitter, RMS;  $f_{REF} = 156.25\text{MHz}$ ,  $V_{PP} = 1\text{V}$
- 12kHz to 20MHz: 50fs (typical)
- Device current consumption ( $I_{DD}$ ): 225mA
- Full 1.8V or 2.5V supply voltage
- Lead-free (RoHS 6), 40-VFQFPN packaging
- $-40^{\circ}\text{C}$  to  $+85^{\circ}\text{C}$  ambient operating temperature
- Supports case temperature up to  $+105^{\circ}\text{C}$

### Applications

- 4G and 5G RU and DU system
- Ethernet switches / routers
- Medical imaging
- Professional audio and video
- Data center and server

# Contents

<b>1. Overview</b>	<b>3</b>
1.1 Block Diagram	3
<b>2. Pin Information</b>	<b>4</b>
2.1 Pin Assignments	4
2.2 Pin Descriptions	4
2.3 IN_SEL Input Functions	6
2.4 AMP_SEL Functions	6
<b>3. Specifications</b>	<b>7</b>
3.1 Absolute Maximum Ratings	7
3.2 Recommended Operating Conditions	7
3.3 Thermal Specifications	7
3.4 DC Input Characteristics	8
3.5 Power Supply Characteristics	8
3.6 Power Supply Characteristics	8
3.7 LVCMOS/LVTTL Input DC Characteristics	8
3.8 LVCMOS/LVTTL Input DC Characteristics	9
3.9 Differential Input Characteristics	9
3.10 LVDS AC and DC Characteristics	9
3.11 AC Characteristics	10
<b>4. Additive Phase Jitter</b>	<b>12</b>
<b>5. Applications Information</b>	<b>13</b>
5.1 Fail-Safe Operation	13
5.2 Recommendations for Unused Input and Output Pins	13
5.2.1 Inputs	13
5.2.2 Outputs	13
5.3 Wiring the Differential Input to Accept Single-Ended Levels	13
5.4 1.8V Differential Clock Input Interface	14
5.5 LVDS Driver Termination	15
<b>6. Package Outline Drawings</b>	<b>16</b>
<b>7. Marking Diagram</b>	<b>16</b>
<b>8. Ordering Information</b>	<b>16</b>
<b>9. Revision History</b>	<b>17</b>

# 1. Overview

## 1.1 Block Diagram

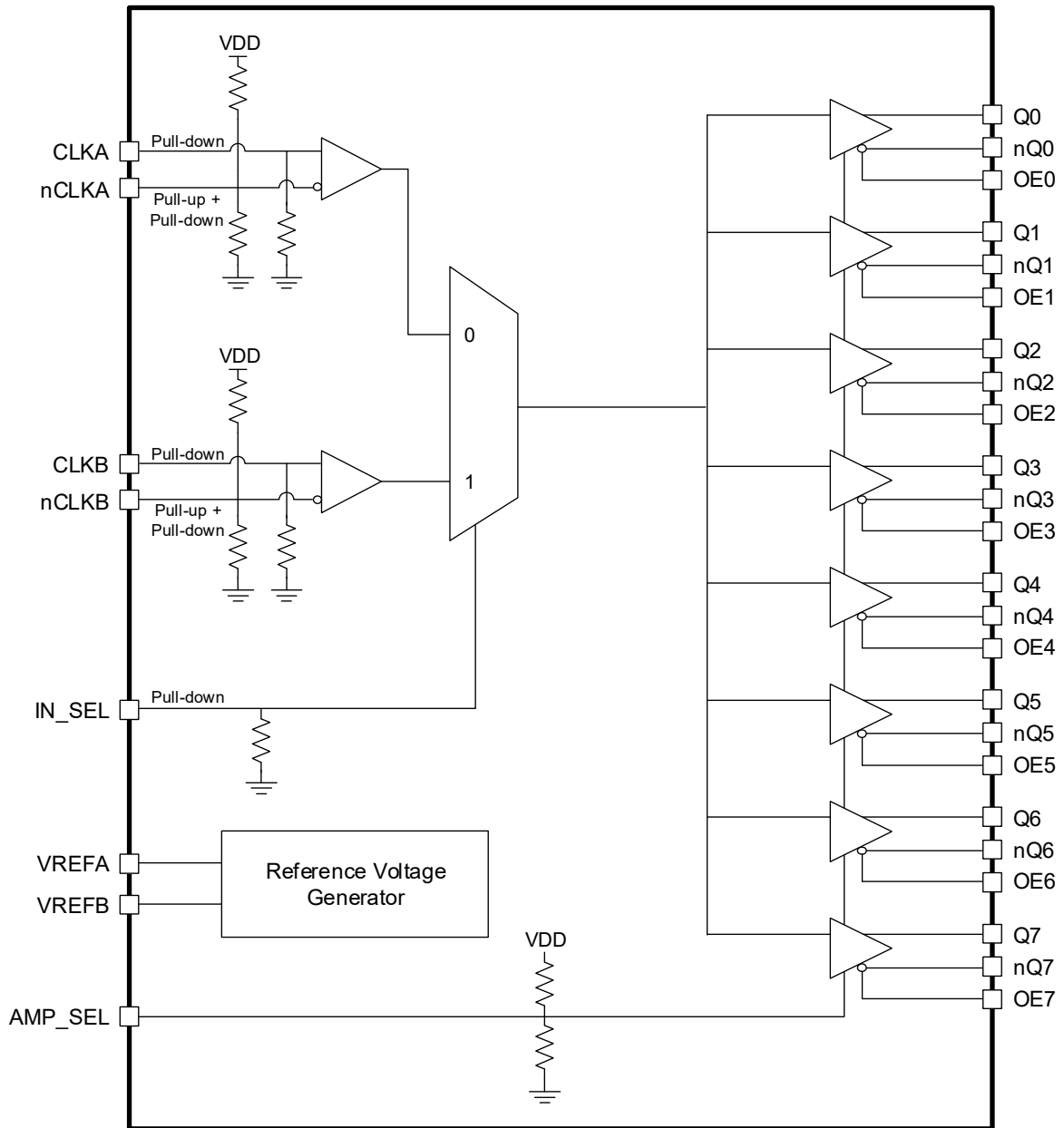


Figure 1. Block Diagram

## 2. Pin Information

### 2.1 Pin Assignments

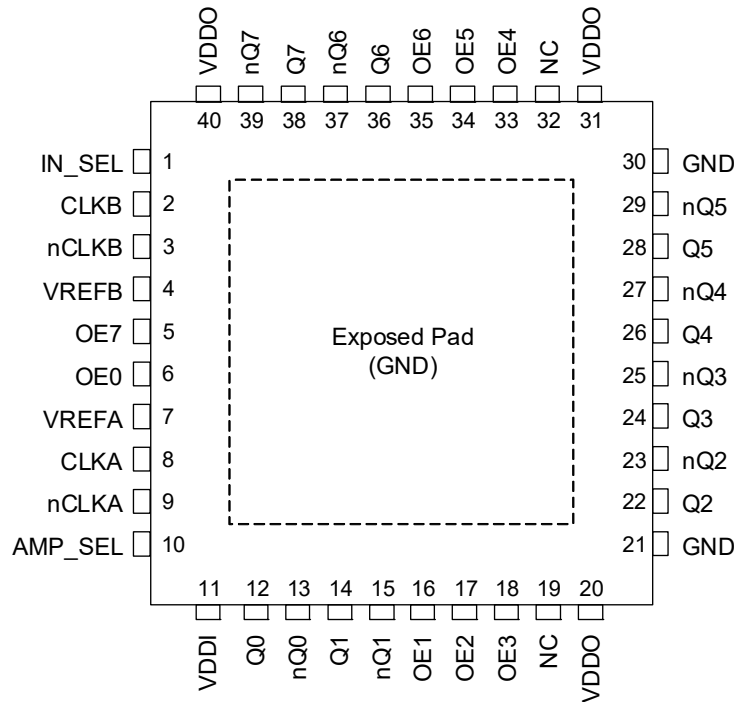


Figure 2. Pin Assignments – Top View

### 2.2 Pin Descriptions

Table 1. Pin Descriptions

Pin Number	Pin Name	Type	Description
1	IN_SEL	Input	Reference selects control pin. LVCMOS/LVTTL interface levels.
2	CLKB	Input	Non-inverting differential clock/data input B.
3	nCLKB	Input	Inverting differential clock/data input B. VDD/2 default when left floating.
4	VREFB	Power	Bias voltage reference. Provides an input bias voltage for the CLKB, nCLKB input pair in AC-coupled applications.
5	OE7	Input	Control output enable function for Q7. LVCMOS/TTL input levels.
6	OE0	Input	Control output enable function for Q0. LVCMOS/TTL input levels.
7	VREFA	Power	Bias voltage reference. Provides an input bias voltage for the CLKA, nCLKA input pair in AC-coupled applications.
8	CLKA	Input	Non-inverting differential clock/data input A.
9	nCLKA	Input	Inverting differential clock/data input A. VDD/2 default when left floating.
10	AMP_SEL	Input	Output swing control pin.
11	VDDI	Power	Power supply input pin.
12	Q0	Output	Differential output pair Q0. LVDS interface levels
13	nQ0	Output	Differential output pair Q0. LVDS interface levels.

Table 1. Pin Descriptions (Cont.)

Pin Number	Pin Name	Type	Description
14	Q1	Output	Differential output pair Q1. LVDS interface levels.
15	nQ1	Output	Differential output pair Q1. LVDS interface levels.
16	OE1	Input	Control output enable function for Q1. LVCMOS/TTL input levels.
17	OE2	Input	Control output enable function for Q2. LVCMOS/TTL input levels.
18	OE3	Input	Control output enable function for Q3. LVCMOS/TTL input levels.
19	NC	-	Not connected.
20	VDDO	Power	Power supply pin.
21	GND	Power	Ground pin.
22	Q2	Output	Differential output pair Q2. LVDS interface levels.
23	nQ2	Output	Differential output pair Q2. LVDS interface levels.
24	Q3	Output	Differential output pair Q3. LVDS interface levels.
25	nQ3	Output	Differential output pair Q3. LVDS interface levels.
26	Q4	Output	Differential output pair Q4. LVDS interface levels.
27	nQ4	Output	Differential output pair Q4. LVDS interface levels.
28	Q5	Output	Differential output pair Q6. LVDS interface levels.
29	nQ5	Output	Differential output pair Q5. LVDS interface levels.
30	GND	Power	Ground pin.
31	VDDO	Power	Power supply pin.
32	NC	-	Not connected.
33	OE4	Input	Control output enable function for Q4. LVCMOS/TTL input levels.
34	OE5	Input	Control output enable function for Q5. LVCMOS/TTL input levels.
35	OE6	Input	Control output enable function for Q6. LVCMOS/TTL input levels.
36	Q6	Output	Differential output pair Q6. LVDS interface levels.
37	nQ6	Output	Differential output pair Q6. LVDS interface levels.
38	Q7	Output	Differential output pair Q7. LVDS interface levels.
39	nQ7	Output	Differential output pair Q7. LVDS interface levels.
40	VDDO	Power	Power supply pin.
-	ePAD	Power	EPAD connect to GND.

## 2.3 IN\_SEL Input Functions

IN_SEL Input [1]	Operation
0	CLKA, nCLKA is the selected differential clock input.
1	CLKB, nCLKB is the selected differential clock input.

1. IN\_SEL is an asynchronous control.

## 2.4 AMP\_SEL Functions

AMP_SEL	Output
Low	Q0 – Q3 = 500mV, Q4 – Q7 = 350mV
Middle	Q0 – Q7 = 350mV
High	Q0 – Q7 = 500mV

### 3. Specifications

#### 3.1 Absolute Maximum Ratings

**Caution:** Do not operate at or near the maximum ratings listed for extended periods of time. Exposure to such conditions can adversely impact product reliability and result in failures not covered by warranty.

Figure 3. Absolute Maximum Ratings

Parameter	Minimum	Maximum	Unit
Supply Voltage, $V_{DD}$	-	4.6	V
Input, $V_I$	-0.5	4.6	V
Input, $I_I$	-	20	mA
Outputs, $I_O$			
Continuous Current	-	10	mA
Surge Current	-	15	
Input Sink/Source, $I_{REF}$	-	$\pm 2$	mA
Maximum Junction Temperature, $T_{J,MAX}$	-	125	$^{\circ}C$
Storage Temperature, $T_{STG}$	-65	150	$^{\circ}C$
ESD – Human Body Model	-	2000	V
ESD – Charged Device Model	-	1500	V

#### 3.2 Recommended Operating Conditions

Table 2. Recommended Operating Conditions [1][2]

Symbol	Parameter	Condition	Minimum	Typical	Maximum	Unit
$T_J$	Maximum Junction Temperature	-	-	-	125	$^{\circ}C$
$T_A$	Ambient Operating Temperature	-	-40	-	85	$^{\circ}C$
$V_{DDx}$	Supply Voltage with Respect to Ground	Any $V_{DD}$ pin, 1.8V supply	1.71	1.8	1.89	V
		Any $V_{DD}$ pin, 2.5V supply	2.1	2.5	2.7	V

- All electrical characteristics are specified over Recommended Operating Conditions unless noted otherwise.
- All conditions in this table must be met to guarantee device functionality and performance.

#### 3.3 Thermal Specifications

Parameter	Package	Symbol	Conditions	Typical Value	Unit
Thermal Resistance	40-VFQFPN, 6.0 × 6.0 mm	$\theta_{JA0}$	Junction to ambient, still air	24	$^{\circ}C/W$
		$\theta_{JA1}$	Junction to ambient, 1 m/s air flow	21	$^{\circ}C/W$
		$\theta_{JA2}$	Junction to ambient, 2 m/s air flow	19	$^{\circ}C/W$
		$\theta_{JB}$	Junction to board	1.4	$^{\circ}C/W$
		$\theta_{JC}$	Junction to case	19.2	$^{\circ}C/W$

### 3.4 DC Input Characteristics

Symbol	Parameter	Test Conditions	Minimum	Typical	Maximum	Unit
$C_{IN}$	Input Capacitance	-	-	2	-	pF
$R_{PULLDOWN}$	Input Pull-down Resistor	-	-	51	-	k ohms
$R_{PULLUP}$	Input Pull-up Resistor	-	-	51	-	k ohms

### 3.5 Power Supply Characteristics

$V_{DD} = 1.8V \pm 5\%$ ,  $V_{EE} = 0V$ ,  $T_A = -40^\circ C$  to  $+85^\circ C$

Symbol	Parameter	Test Conditions	Minimum	Typical	Maximum	Unit
$V_{DD}$	Power Supply Voltage	-	1.71	1.8	1.89	V
$I_{DD}$	Power Supply Current	AMP_SEL = 500mV	-	215.0	270.0	mA

### 3.6 Power Supply Characteristics

$V_{DD} = 2.1V, 2.5V, \text{ and } 2.7V$ ,  $V_{EE} = 0V$ ,  $T_A = -40^\circ C$  to  $+85^\circ C$ .

Symbol	Parameter	Test Conditions	Minimum	Typical	Maximum	Unit
$V_{DD}$	Power Supply Voltage	-	2.1	2.5	2.7	V
$I_{DD}$	Power Supply Current	AMP_SEL = 500mV	-	225.0	280.0	mA

### 3.7 LVCMOS/LVTTL Input DC Characteristics

$V_{DD} = 1.8V \pm 5\%$ , 2.1V to 2.7V,  $T_A = -40^\circ C$  to  $85^\circ C$ .

Symbol	Parameter	Test Conditions	Minimum	Typical	Maximum	Unit
$V_{IH}$	Input High Voltage	$V_{DD} = 1.89V, 2.7V$	$0.75 \times V_{DD}$	-	$V_{DD} + 0.3$	V
$V_{IM}$	Input Middle Voltage	$V_{DD} = 1.89V, 2.7V$	$0.45 \times V_{DD}$	-	$0.55 \times V_{DD}$	V
$V_{IL}$	Input Low Voltage	$V_{DD} = 1.89V, 2.7V$	-0.3	-	$0.25 \times V_{DD}$	V
$I_{IH}$	Input High Current, AMP_SEL	$V_{DD} = V_{IN} = 1.89V, 2.7V$	-	-	150	$\mu A$
$I_{IL}$	Input Low Current, AMP_SEL	$V_{DD} = 1.89V, 2.7V,$ $V_{IN} = 0V$	-150	-	-	$\mu A$
$I_{LEAK}$	Input Leakage Current, AMP_SEL	$V_{IN} = 2.7V, V_{DD} = 0V$	-	-	250	$\mu A$



### 3.8 LVCMOS/LVTTL Input DC Characteristics

$V_{DD} = 1.8V \pm 5\%$ , 2.1V to 2.7V,  $T_A = -40^\circ\text{C}$  to  $85^\circ\text{C}$ .

Symbol	Parameter	Test Conditions	Minimum	Typical	Maximum	Unit
$V_{IH}$	Input High Voltage	$V_{DD} = 1.89V, 2.7V$	$0.65 \times V_{DD}$	-	$V_{DD}+0.3$	V
$V_{IL}$	Input Low Voltage	$V_{DD} = 1.89V, 2.7V$	-0.3	-	$0.35 \times V_{DD}$	V
$I_{IH}$	Input High Current, IN_SEL, OE0 to OE7	$V_{DD} = V_{IN} = 1.89V, 2.7V$	-	-	150	$\mu\text{A}$
$I_{IL}$	Input High Current, IN_SEL, OE0 to OE7	$V_{DD} = 1.89V, 2.7V,$ $V_{IN} = 0V$	-150	-	-	$\mu\text{A}$
$I_{LEAK}$	Input Leakage Current, IN_SEL, OE0 to OE7	$V_{IN} = 2.7V, V_{DD} = 0V$	-	-	250	$\mu\text{A}$

### 3.9 Differential Input Characteristics

$V_{DD} = 1.8V \pm 5\%$ , 2.1V to 2.7V,  $T_A = -40^\circ\text{C}$  to  $85^\circ\text{C}$ .

Symbol	Parameter	Test Conditions	Minimum	Typical	Maximum	Unit
$I_{IH}$	Input High Current CLKA, nCLKA; CLKB, nCLKB	$V_{DD} = V_{IN} = 1.89V, 2.7V$	-	-	150	$\mu\text{A}$
$I_{IL}$	Input Low Current CLKA, CLKB	$V_{IN} = 0V, V_{DD} = 1.89V, 2.7V$	-150	-	-	$\mu\text{A}$
	Input Low Current nCLKA, nCLKB	$V_{IN} = 0V, V_{DD} = 1.89V, 2.7V$	-150	-	-	$\mu\text{A}$
$I_{LEAK}$	Input Leakage Current	$V_{IN} = 2.7V, V_{DD} = 0V$	-	-	250	$\mu\text{A}$
$V_{REF}$	Reference Voltage for Input Bias	$I_{REF} = -100\mu\text{A};$ $V_{DD} = 1.8V, 2.5V$	$0.7 \times V_{DD}$	-	$0.85 \times V_{DD}$	V
$V_{PP}$	Peak-to-Peak Voltage	$V_{DD} = 1.89V, 2.7V$	0.2	-	1	V
$V_{CMR}$	Common Mode Input Voltage	-	0.9	-	$V_{DD} - (V_{PP}/2)$	V

### 3.10 LVDS AC and DC Characteristics

$V_{DD} = 1.8V \pm 5\%$ , 2.1V to 2.7V,  $T_A = -40^\circ\text{C}$  to  $85^\circ\text{C}$ .

Symbol	Parameter	Test Conditions	Minimum	Typical	Maximum	Unit
$\Delta V_{OD}$	VOD Magnitude Change	-	-	-	50	mV
$\Delta V_{OD}$	VOD Magnitude Change	-	-	-	50	mV

### 3.11 AC Characteristics

 $V_{DD} = V_{DDA} = V_{DDB} = V_{DDQB} = V_{DDQA} = 1.8V \pm 5\% \text{ or } 2.1V, 2.5V, 2.7V, V_{EE} = 0V, T_A = -40^\circ\text{C to } 85^\circ\text{C}$ 
**Table 3. AC Characteristics [1]**

Symbol	Parameter	Test Conditions	Minimum	Typical	Maximum	Unit	
$f_{REF}$	Input Frequency	-	0	-	2	GHz	
dV/dt	Input Edge Rate	-	1.5	-	-	V/ns	
$t_{PD}$	Propagation Delay	CLK[0:1], nCLK[0:1] to any Qx, nQx	$V_{DD} = 1.8V$ $V_{DD} = 2.5V$	100	350	450	ps
tsk(o)	Output Skew	Qx, nQx	$V_{DD} = 1.8V$ $V_{DD} = 2.5V$	-	20	40	ps
tsk(p)	Pulse Skew	$f_{REF} = 100\text{MHz}$	$V_{DD} = 1.8V$ $V_{DD} = 2.5V$	-	5	25	ps
tsk(i)	Input Skew	-	$V_{DD} = 1.8V \pm 5\%$ $V_{DD} = 2.5V \pm 5\%$	-	-	60.0	ps
tsk(pp)	Part-to-part Skew	$f_{REF} = 100\text{MHz}$	$V_{DD} = 1.8V$ $V_{DD} = 2.5V$	-	-	200	ps
$t_{jit}$	Buffer Additive Phase Jitter, RMS	$f_{REF} = 122.88\text{MHz}$ Square Wave, $V_{PP} = 1V$ , Integration Range: 12kHz to 20MHz	-	50	-	fs	
		$f_{REF} = 156.25\text{MHz}$ Square Wave, $V_{PP} = 1V$ , Integration Range: 12kHz to 20MHz	-	50	-	fs	
		$f_{REF} = 156.25\text{MHz}$ Square Wave, $V_{PP} = 0.5V$ , Integration Range: 12kHz to 20MHz	-	50	-	fs	
PNF	Phase noise floor	Phase noise floor carrier frequency at 122.88MHz at 20MHz offset	-	-160	-	dBc/Hz	
$t_R / t_F$	Output Rise/ Fall Time	$V_{DD} = 1.8V \pm 5\%$	10% to 90%	-	150	400	ps
			20% to 80%	-	90	160	ps
		$V_{DD} = 2.1V, 2.5V, 2.7V$	10% to 90%	-	200	420	ps
			20% to 80%	-	110	190	ps
$MUX_{isolation}$	Mux Isolation	$f_{REF} = 100\text{MHz}$	-	80	-	dB	
$V_{OD}$	Differential Output Voltage	Output = 350mV, $R_{OUT} = 100\Omega$ $f_{REF} < 2\text{GHz}$	247	350	454	mV	
		Output = 350mV, $R_{OUT} = 100\Omega$ $f_{REF} < 500\text{MHz}$	305	385	454	mV	
		Output = 500mV, $R_{OUT} = 100\Omega$ $f_{REF} < 2\text{GHz}$	350	500	650	mV	
		Output = 500mV, $R_{OUT} = 100\Omega$ $f_{REF} < 500\text{MHz}$	450	550	650	mV	

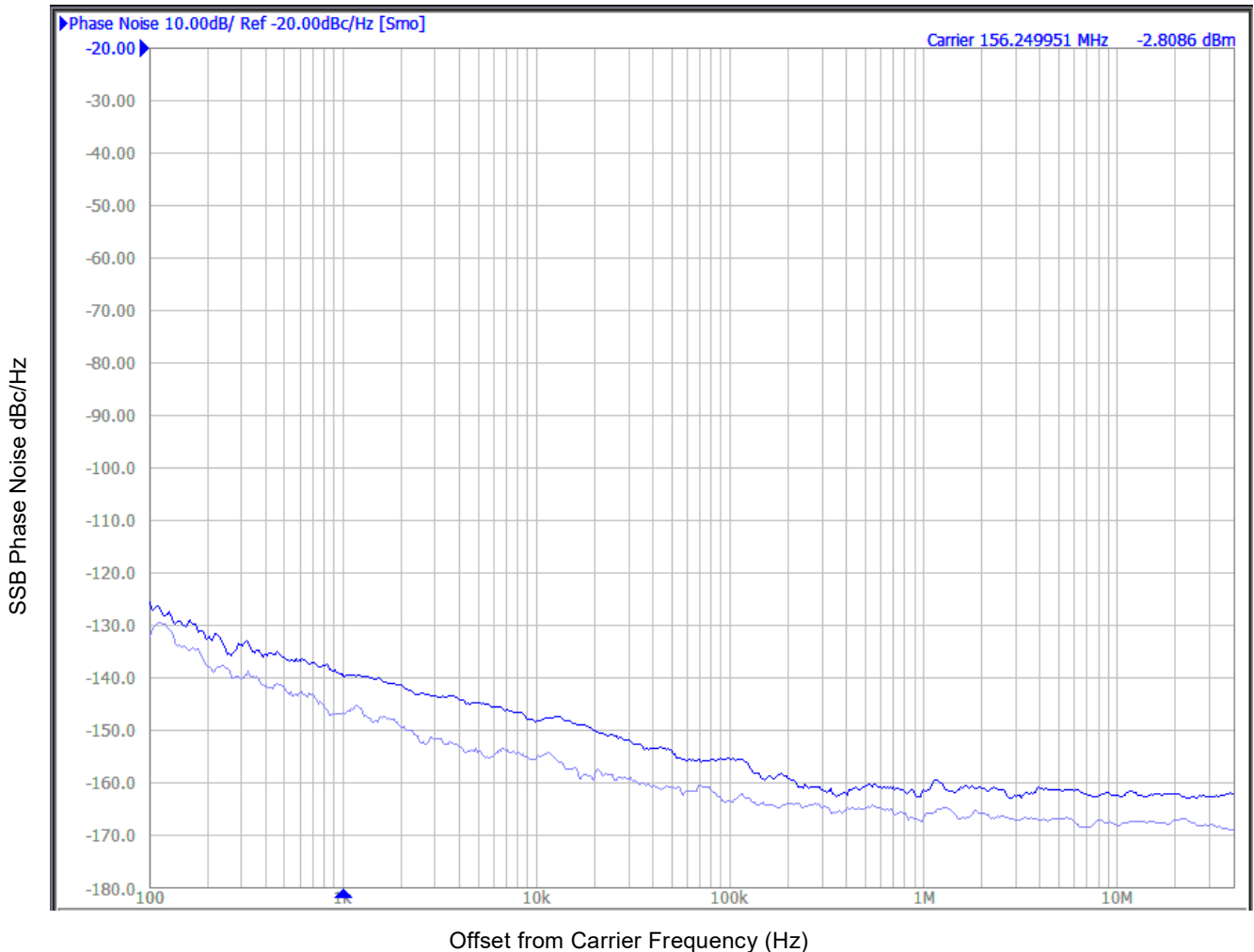
Table 3. AC Characteristics [1] (Cont.)

Symbol	Parameter	Test Conditions	Minimum	Typical	Maximum	Unit
V <sub>OS</sub>	Offset Voltage, V <sub>DD</sub> [2] = 1.8V ±5%	Output = 350mV	0.61	0.77	0.91	V
		Output = 500mV	0.53	0.68	0.82	V
	Offset Voltage, V <sub>DD</sub> [2] = 2.1V	Output = 350mV	0.80	1.01	1.20	V
		Output = 500mV	0.74	0.95	1.15	V
	Offset Voltage, V <sub>DD</sub> [2] = 2.3V	Output = 350mV	1.00	1.21	1.42	V
		Output = 500mV	0.95	1.15	1.36	V
	Offset Voltage, V <sub>DD</sub> [2] = 2.5V	Output = 350mV	1.30	1.45	1.62	V
		Output = 500mV	1.20	1.35	1.55	V
	Offset Voltage, V <sub>DD</sub> [2] = 2.7V	Output = 350mV	1.40	1.61	1.82	V
		Output = 500mV	1.34	1.55	1.75	V

1. Electrical parameters are guaranteed over the specified ambient operating temperature range, which is established when the device is mounted in a test socket with maintained transverse airflow greater than 500 lfm. The device will meet specifications after thermal equilibrium has been reached under these conditions.
2. Input V<sub>PP</sub> = 400mV.

## 4. Additive Phase Jitter

The spectral purity in a band at a specific offset from the fundamental compared to the power of the fundamental is called the *dBc Phase Noise*. This value is normally expressed using a phase noise plot, and is most often the specified plot in many applications. Phase noise is defined as the ratio of the noise power present in a 1Hz band at a specified offset from the fundamental frequency to the power value of the fundamental. This ratio is expressed in decibels (dBm), or a ratio of the power in the 1Hz band to the power in the fundamental. When the required offset is specified, the phase noise is called a *dBc* value, which simply means dBm at a specified offset from the fundamental. By investigating jitter in the frequency domain, we get a better understanding of its effects on the desired application over the entire time record of the signal. It is mathematically possible to calculate an expected bit error rate given a phase noise plot.



**Figure 4. Additive Phase Jitter. Frequency: 156.25MHz, Integration Range: 12kHz to 20MHz = 45fs Typical**

As with most timing specifications, phase noise measurements have issues relating to the limitations of the measurement equipment. The noise floor of the equipment can be higher or lower than the noise floor of the device. Additive phase noise is dependent on both the noise floor of the input source and measurement equipment.

*Note:* The phase noise plot was measured using a Wenzel 156.25MHz Oscillator as the input source.

## 5. Applications Information

### 5.1 Fail-Safe Operation

All clock inputs support fail-safe operation. That is, when the device is powered down, the clock inputs can be held at a DC voltage of up to 4.6V without damaging the device or the input pins.

### 5.2 Recommendations for Unused Input and Output Pins

#### 5.2.1 Inputs

##### 5.2.1.1 CLK/nCLK Inputs

For applications not requiring the use of the differential input, both CLK and nCLK can be left floating. Though not required, but for additional protection, a 1k $\Omega$  resistor can be tied from CLK to ground.

#### 5.2.2 Outputs

##### 5.2.2.1 LVDS Outputs

All unused LVDS output pairs can be either left floating or terminated with 100 $\Omega$  across. If they are left floating there should be no trace attached.

##### 5.2.2.2 VREFX

The unused VREFA and VREFB pins can be left floating. We recommend that there is no trace attached.

### 5.3 Wiring the Differential Input to Accept Single-Ended Levels

Figure 5 shows an example of how a differential input can be wired to accept single-ended levels. To satisfy the  $V_{CMR}$  requirement, the reference voltage V1 is set to 1.2V which is generated by the bias resistors R1 and R2. The bypass capacitor (C1) is used to help filter noise on the DC bias. This bias circuit should be located as close to the input pin as possible. The ratio of R1 and R2 might need to be adjusted to position the V1 to meet the  $V_{CMR}$  requirement. For example, if the input clock swing is 1.8V and  $V_{DD} = 1.8V$ , the R1 and R2 values should be adjusted to set V1 at 1.2V in this example.

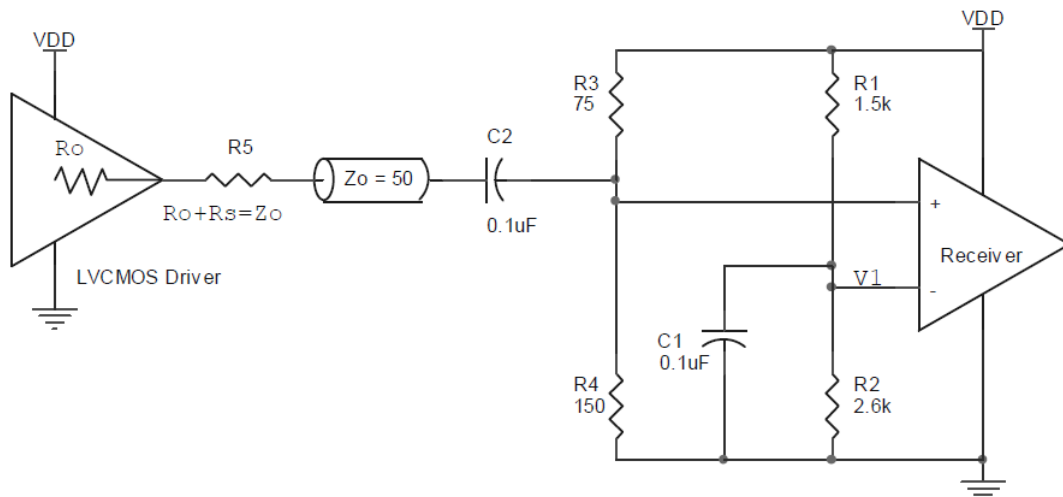


Figure 5. Example Schematic for Wiring a Differential Input to Accept Single-ended Levels

The values in the figure are for when both the single-ended swing and  $V_{DD}$  are at the same voltage. This configuration requires that the sum of the output impedance of the driver ( $R_o$ ) and the series resistance ( $R_s$ ) equals the transmission line impedance. In addition, matched termination at the input will attenuate the signal in half. This can be done in one of two ways. First,  $R_3$  and  $R_4$  in parallel should equal the transmission line impedance and the signal DC offset after AC coupling should be equal to  $V_1$  (in other words, 1.2V in this example). For most  $Z_o = 50\Omega$  applications,  $R_3 = 75\Omega$  and  $R_4$  can be 130 $\Omega$ . By keeping the same  $R_3/R_4$  ratio, the values of the resistors can be increased to reduce the loading for a slower or weaker LVCMOS driver.

When using single-ended signaling, the noise rejection benefits of differential signaling are reduced. Even though the input can handle larger amplitude signaling, it is recommended that the amplitude be reduced. For single-ended applications, the swing can be larger. Make sure the single-ended logic high and logic low signal operates within the specification limit. Though some of the recommended components might not be used, the pads should be placed in the layout. They can be used for debugging purposes. The datasheet specifications are characterized and confirmed by using a differential signal.

## 5.4 1.8V Differential Clock Input Interface

The CLK /nCLK accepts LVDS, LVPECL, and other differential signals. The differential input signal must meet both the  $V_{PP}$  and  $V_{CMR}$  input requirements. Figure 6 to Figure 8 show interface examples for the CLK /nCLK input driven by the most common driver types. The input interfaces suggested here are examples only. If the driver is from another vendor, use their termination recommendation. Please consult with the vendor of the driver component to confirm the driver termination requirements.

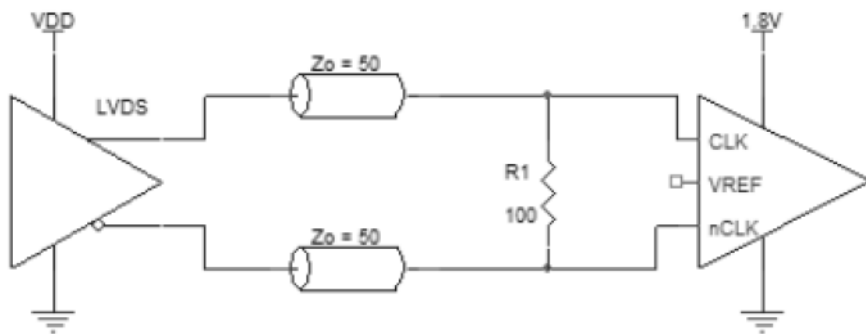


Figure 6. Differential Input Driven by an LVDS Driver – DC Coupling

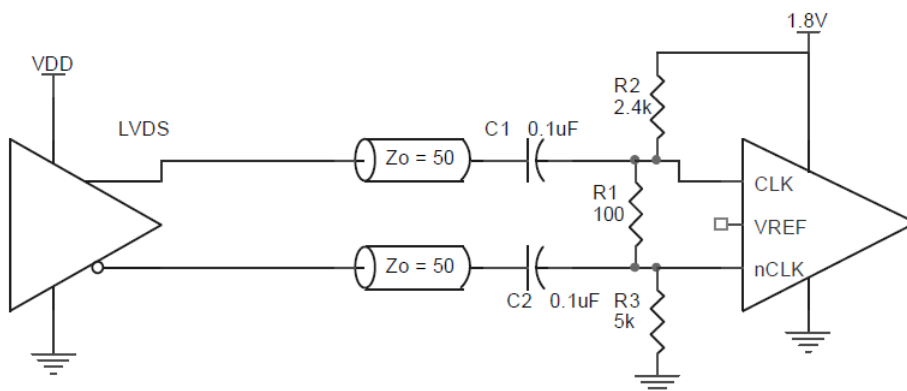


Figure 7. Differential Input Driven by an LVDS Driver – AC Coupling

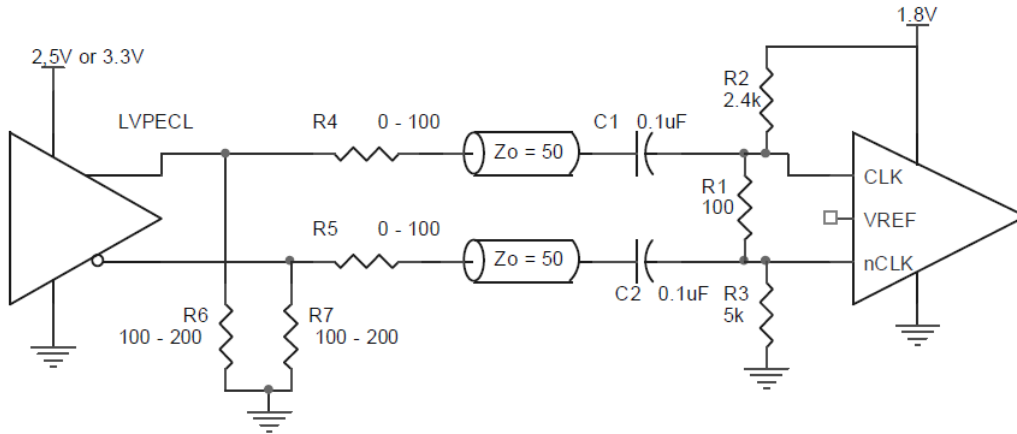


Figure 8. Differential Input Driven by an LVPECL Driver – AC Coupling

### 5.5 LVDS Driver Termination

For a general LVDS interface, the recommended value for the termination impedance ( $Z_T$ ) is between  $90\Omega$  and  $132\Omega$ . The actual value should be selected to match the differential impedance ( $Z_O$ ) of your transmission line. A typical point-to-point LVDS design uses a  $100\Omega$  parallel resistor at the receiver and a  $100\Omega$  differential transmission-line environment. In order to avoid any transmission-line reflection issues, the components should be surface-mounted and must be placed as close to the receiver as possible. Renesas offers a full line of LVDS compliant devices with two types of output structures: current source and voltage source.

The standard termination schematic as shown in Figure 9 can be used with either type of output structure. Figure 10, which can also be used with both output types, is an optional termination with center tap capacitance to help filter common mode noise. The capacitor value should be approximately  $50\text{pF}$ . If using a non-standard termination, it is recommended to contact Renesas and confirm if the output structure is current source or voltage source type. In addition, since these outputs are LVDS compatible, the input receiver's amplitude and common-mode input range should be verified for compatibility with the output.

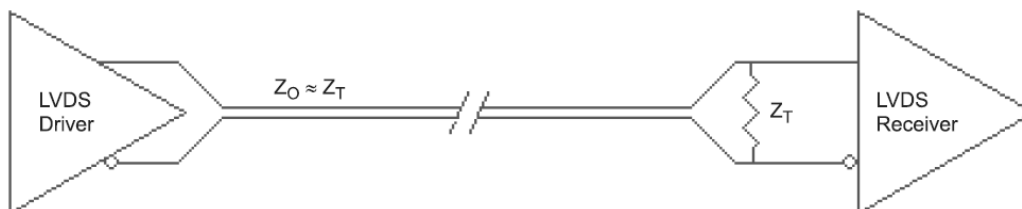


Figure 9. Standard LVDS Termination

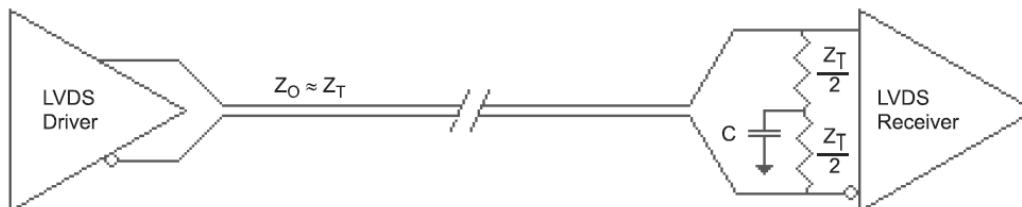
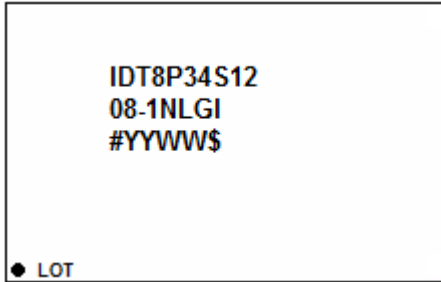


Figure 10. Optional LVDS Termination

## 6. Package Outline Drawings

The package outline drawings are located at the end of this document and are accessible from the Renesas website (see [Ordering Information](#) for POD links). The package information is the most current data available and is subject to change without revision of this document.

## 7. Marking Diagram



- Lines 1 and 2: part number.
- Line 3:
  - “#” denotes stepping number.
  - “YYWW” denotes the last two digits of the year and work week that the part was assembled.
  - “\$” denotes the mark code.

## 8. Ordering Information

Part Number	Package Description	Carrier Type	Temperature Range
8P34S1208-1NLGI	6.0 × 6.0 × 0.90 mm <a href="#">40-VFQFPN</a>	Tray	-40 to +85°C
8P34S1208-1NLGI8		Tape and Reel, Pin 1 Orientation: EIA-481-C (see <a href="#">Table 4</a> )	
8P34S1208-1NLGI/W		Tape & Reel, Pin 1 Orientation: EIA-481-D/E (see <a href="#">Table 4</a> )	

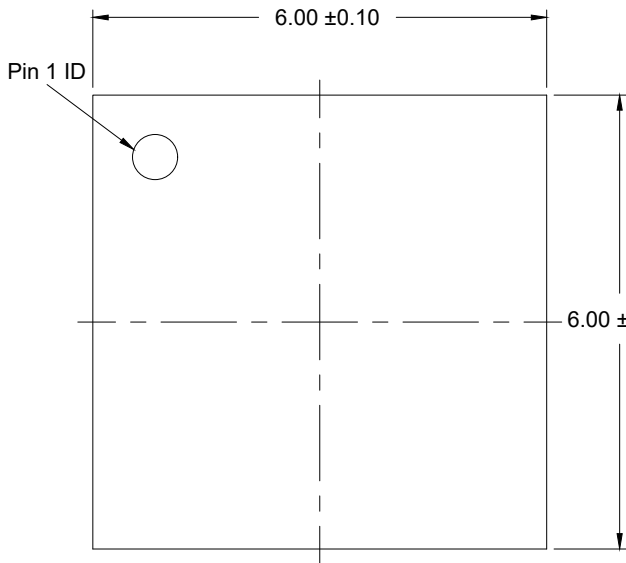
Table 4. Pin 1 Orientation in Tape and Reel Packaging

Part Number Suffix	Pin 1 Orientation	Illustration
8	Quadrant 1 (EIA-481-C)	
/W	Quadrant 2 (EIA-481-D/E)	

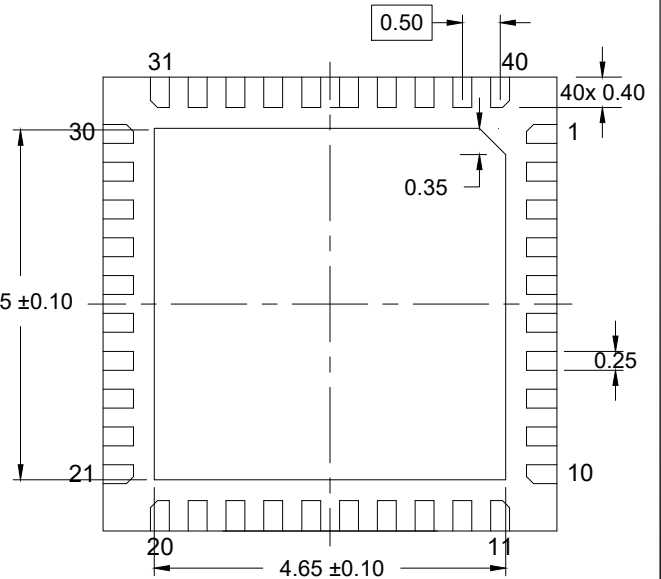


## 9. Revision History

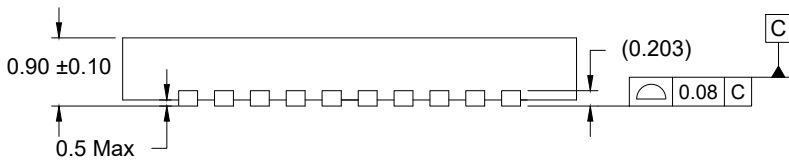
Revision	Date	Description
1.00	Jul 17, 2024	Initial release.



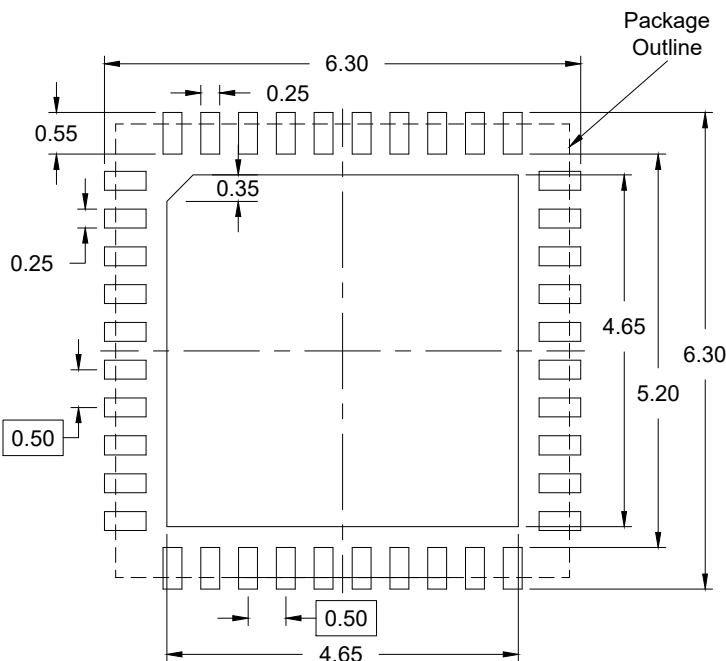
Top View



Bottom View



Side View



Recommended Land Pattern  
(PCB Top View, NSMD Design)

NOTES:

1. JEDEC compatible.
2. All dimensions are in mm and angles are in degrees.
3. Use  $\pm 0.05$  mm for the non-toleranced dimensions.
4. Number in ( ) are for references only.

## IMPORTANT NOTICE AND DISCLAIMER

RENESAS ELECTRONICS CORPORATION AND ITS SUBSIDIARIES (“RENESAS”) PROVIDES TECHNICAL SPECIFICATIONS AND RELIABILITY DATA (INCLUDING DATASHEETS), DESIGN RESOURCES (INCLUDING REFERENCE DESIGNS), APPLICATION OR OTHER DESIGN ADVICE, WEB TOOLS, SAFETY INFORMATION, AND OTHER RESOURCES “AS IS” AND WITH ALL FAULTS, AND DISCLAIMS ALL WARRANTIES, EXPRESS OR IMPLIED, INCLUDING, WITHOUT LIMITATION, ANY IMPLIED WARRANTIES OF MERCHANTABILITY, FITNESS FOR A PARTICULAR PURPOSE, OR NON-INFRINGEMENT OF THIRD-PARTY INTELLECTUAL PROPERTY RIGHTS.

These resources are intended for developers who are designing with Renesas products. You are solely responsible for (1) selecting the appropriate products for your application, (2) designing, validating, and testing your application, and (3) ensuring your application meets applicable standards, and any other safety, security, or other requirements. These resources are subject to change without notice. Renesas grants you permission to use these resources only to develop an application that uses Renesas products. Other reproduction or use of these resources is strictly prohibited. No license is granted to any other Renesas intellectual property or to any third-party intellectual property. Renesas disclaims responsibility for, and you will fully indemnify Renesas and its representatives against, any claims, damages, costs, losses, or liabilities arising from your use of these resources. Renesas' products are provided only subject to Renesas' Terms and Conditions of Sale or other applicable terms agreed to in writing. No use of any Renesas resources expands or otherwise alters any applicable warranties or warranty disclaimers for these products.

(Disclaimer Rev.1.01 Jan 2024)

### Corporate Headquarters

TOYOSU FORESIA, 3-2-24 Toyosu,  
Koto-ku, Tokyo 135-0061, Japan  
[www.renesas.com](http://www.renesas.com)

### Trademarks

Renesas and the Renesas logo are trademarks of Renesas Electronics Corporation. All trademarks and registered trademarks are the property of their respective owners.

### Contact Information

For further information on a product, technology, the most up-to-date version of a document, or your nearest sales office, please visit [www.renesas.com/contact-us/](http://www.renesas.com/contact-us/).