

## Description

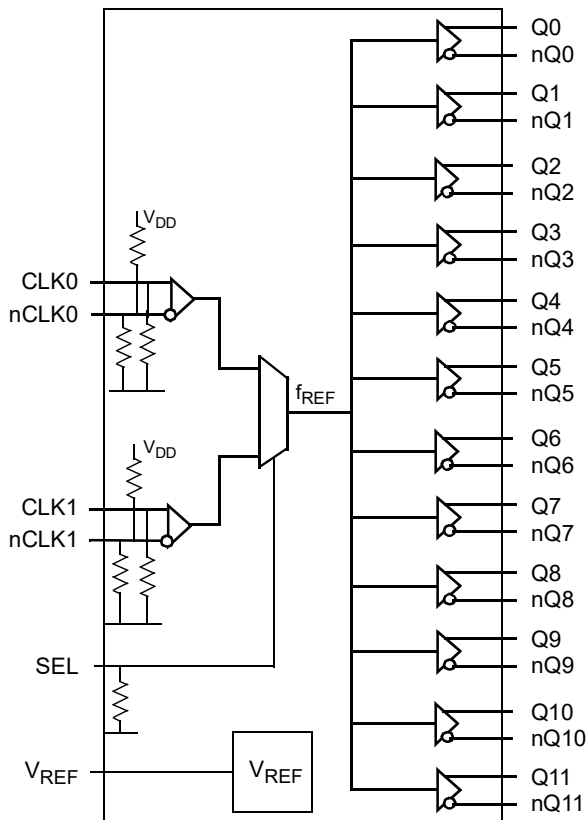
The 8P34S1212 is a high-performance differential LVDS fanout buffer. The device is designed for the fanout of 1PPS signals or high-frequency, very low additive phase-noise clock and data signals. The 8P34S1212 is characterized to operate from a 1.8V or 2.5V power supply. Guaranteed output-to-output and part-to-part skew characteristics make the 8P34S1212 ideal for those clock distribution applications that demand well-defined performance and repeatability.

Two selectable differential inputs and 12 low skew outputs are available. The integrated bias voltage reference enables easy interfacing of single-ended signals to the device inputs. The device is optimized for low power consumption and low additive phase noise.

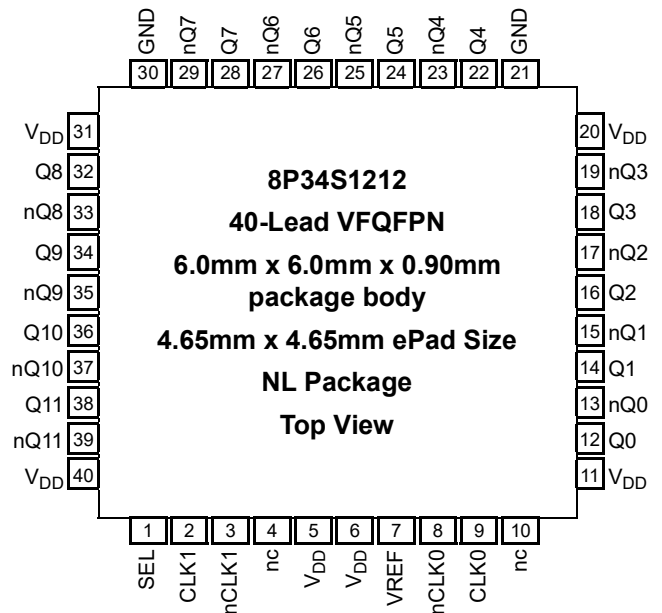
## Features

- 12 low skew, low additive jitter LVDS output pairs
- Two selectable, differential clock input pairs
- Differential CLK0, CLK1 pairs can accept the following differential input levels: LVDS, CML
- Maximum input clock frequency: 1.5GHz (maximum)
- LVCMOS/LVTTL interface levels for the control input select pin
- Output skew: 10ps (typical)
- Propagation delay: 400ps (maximum)
- Low propagation delay variation across temperature for 1PPS applications
- Low additive phase jitter, RMS;  $f_{REF} = 156.25\text{MHz}$ ,  $V_{PP} = 1\text{V}$ , 12kHz– 20MHz: 34fs (typical)
- Maximum device current consumption ( $I_{DD}$ ): 185mA typ at 1.8V or 200mA typ at 2.5V
- Full 1.8V or 2.5V supply voltage
- Lead-free (RoHS 6), 40-Lead VFQFPN packaging
- -40°C to +85°C ambient operating temperature
- Supports case temperature up to +105°C
- Supports PCI Express Gen 1-5

## Block Diagram



## Pin Assignment



## Pin Descriptions and Characteristics

**Table 1. Pin Descriptions<sup>[a]</sup>**

Number	Name	Type		Description
1	SEL	Input	Pulldown	Reference select control. See Table 3 for function. LVCMOS/LVTTL interface levels.
2	CLK1	Input	Pulldown	Non-inverting differential clock/data input.
3	nCLK1	Input	Pulldown/ Pullup	Inverting differential clock/data input.
4, 10	nc	Unused		Do not connect.
5, 6, 11, 20, 31, 40	V <sub>DD</sub>	Power		Power supply pins.
7	V <sub>REF</sub>			Bias voltage reference. Provides an input bias voltage for the CLKx, nCLKx input pairs in AC-coupled applications. Refer to <i>Figures 2B and 2C</i> for applicable AC-coupled input interfaces.
8	nCLK0	Input	Pulldown/ Pullup	Inverting differential clock/data input.
9	CLK0	Input	Pulldown	Non-inverting differential clock/data input.
12, 13	Q0, nQ0	Output		Differential output pair 0. LVDS interface levels.
14, 15	Q1, nQ1	Output		Differential output pair 1. LVDS interface levels.
16, 17	Q2, nQ2	Output		Differential output pair 2. LVDS interface levels.
18, 19	Q3, nQ3	Output		Differential output pair 3. LVDS interface levels.
21, 30	GND	Power		Power supply ground.
22, 23	Q4, nQ4	Output		Differential output pair 4. LVDS interface levels.
24, 25	Q5, nQ5	Output		Differential output pair 5. LVDS interface levels.
26, 27	Q6, nQ6	Output		Differential output pair 6. LVDS interface levels.
28, 29	Q7, nQ7	Output		Differential output pair 7. LVDS interface levels.
32, 33	Q8, nQ8	Output		Differential output pair 8. LVDS interface levels.
34, 35	Q9, nQ9	Output		Differential output pair 9. LVDS interface levels.
36, 37	Q10, nQ10	Output		Differential output pair 10. LVDS interface levels.
38, 39	Q11, nQ11	Output		Differential output pair 11. LVDS interface levels.

[a] *Pulldown* and *Pullup* refers to an internal input resistors. See Table 2, *Pin Characteristics*, for typical values.

**Table 2. Pin Characteristics**

Symbol	Parameter	Test Conditions	Minimum	Typical	Maximum	Unit
C <sub>IN</sub>	Input Capacitance			2		pF
R <sub>PULLDOWN</sub>	Input Pulldown Resistor			51		kΩ
R <sub>PULLUP</sub>	Input Pullup Resistor			51		kΩ

**Table 3. SEL Input Function Table<sup>[a]</sup>**

Input	
SEL	Operation
0 (Default)	CLK0, nCLK0 is the selected differential clock input.
1	CLK1, nCLK1 is the selected differential clock input.

[a] SEL is an asynchronous control.

## Absolute Maximum Ratings

NOTE: Stresses beyond those listed under *Absolute Maximum Ratings* may cause permanent damage to the device. These ratings are stress specifications only. Functional operation of the product at these conditions or any conditions beyond those listed in the *DC Characteristics* or *AC Characteristics* is not implied. Exposure to absolute maximum rating conditions for extended periods may affect product reliability.

Item	Rating
Supply Voltage, $V_{DD}$	4.6V
Inputs, $V_I$	-0.5V to $V_{DD} + 0.5V$
Outputs, $I_O$ Continuous Current Surge Current	10mA 15mA
Input Sink/Source, $I_{REF}$	$\pm 2mA$
Maximum Junction Temperature, $T_{J,MAX}$	125°C
Storage Temperature, $T_{STG}$	-65°C to 150°C
ESD - Human Body Model <sup>[a]</sup>	2000V
ESD - Charged Device Model <sup>Note 1.</sup>	1500V

[a] According to JEDEC JS-001-2012/JESD11-C101E.

## DC Electrical Characteristics

**Table 4. Power Supply DC Characteristics,  $V_{DD} = 1.8V \pm 5\%$ ,  $T_A = -40^\circ C$  to  $+85^\circ C$**

Symbol	Parameter	Test Conditions	Minimum	Typical	Maximum	Unit
$V_{DD}$	Power Supply Voltage		1.71	1.8	1.89	V
$I_{DD}$	Power Supply Current	Q0 to Q11 terminated 100Ω between nQx, Qx		185	227	mA

**Table 5. Power Supply DC Characteristics,  $V_{DD} = 2.1V - 2.7V$ ,  $T_A = -40^\circ C$  to  $+85^\circ C$**

Symbol	Parameter	Test Conditions	Minimum	Typical	Maximum	Unit
$V_{DD}$	Power Supply Voltage		2.1	2.5	2.7	V
$I_{DD}$	Power Supply Current	Q0 to Q11 terminated 100Ω between nQx, Qx		200	242	mA

**Table 6. LVCMOS/LVTTL DC Characteristics,  $V_{DD} = 1.8V \pm 5\%$ ,  $2.1V - 2.7V$ ,  $T_A = -40^\circ C$  to  $+85^\circ C$**

Symbol	Parameter		Test Conditions	Minimum	Typical	Maximum	Unit
$V_{IH}$	Input High Voltage			$0.65 * V_{DD}$		$V_{DD} + 0.3$	V
$V_{IL}$	Input Low Voltage, Note 1			-0.3		$0.35 * V_{DD}$	V
$I_{IH}$	Input High Current	SEL	$V_{DD} = V_{IN} = 1.89V, 2.7V$			150	$\mu A$
$I_{IL}$	Input Low Current	SEL	$V_{DD} = 1.89V, 2.7V, V_{IN} = 0V$	-10			$\mu A$

Note 1:  $V_{IL}$  should not be less than -0.3V and  $V_{IH}$  should not be higher than  $V_{DD}$ .

**Table 7. Differential Inputs Characteristics,  $V_{DD} = 1.8V \pm 5\%$ ,  $2.1V - 2.7V$ ,  $T_A = -40^\circ C$  to  $+85^\circ C$**

Symbol	Parameter		Test Conditions	Minimum	Typical	Maximum	Unit
$I_{IH}$	Input High Current	CLK0, nCLK0, CLK1, nCLK1	$V_{IN} = V_{DD} = 1.89V, 2.7V$			150	$\mu A$
$I_{IL}$	Input Low Current	CLK0, CLK1	$V_{IN} = 0V, V_{DD} = 1.89V, 2.7V$	-10			$\mu A$
		nCLK0, nCLK1	$V_{IN} = 0V, V_{DD} = 1.89V, 2.7V$	-150			$\mu A$
$V_{REF}$	Reference Voltage for Input Bias <sup>[a]</sup>		$I_{REF} = +100\mu A, V_{DD} = 1.8V, 2.5V$	0.9		1.30	V
$V_{PP}$	Peak-to-Peak Voltage		$V_{DD} = 1.89V, 2.7V$	0.2		1.0	V
$V_{CMR}$	Common Mode Input Voltage <sup>[b]</sup> <sup>[c]</sup>			0.9		$V_{DD} - (V_{PP}/2)$	V

[a]  $V_{REF}$  specification is applicable to the AC-coupled input interfaces shown in *Figures 2B and 2C*.

[b] Common mode input voltage is defined as crosspoint voltage.

[c]  $V_{IL}$  should not be less than -0.3V and  $V_{IH}$  should not be higher than  $V_{DD}$ .

**Table 8. LVDS AC and DC Characteristics,  $V_{DD} = 1.8V \pm 5\%$ ,  $2.1V - 2.7V$ ,  $T_A = -40^\circ C$  to  $+85^\circ C$  <sup>[a]</sup>**

Symbol	Parameter	Test Conditions	Minimum	Typical	Maximum	Unit
$V_{OD}$	Differential Output Voltage	$f_{REF} < 1.5GHz$ , outputs loaded with $100\Omega$	247		454	mV
$V_{OD}$	Differential Output Voltage	$f_{REF} < 500MHz$ , outputs loaded with $100\Omega$	310		454	mV
$\Delta V_{OD}$	$V_{OD}$ Magnitude Change				50	mV
$V_{OS}$	Offset Voltage	$V_{DD} = 1.8V \pm 5\%$	1.00		1.40	V
$V_{OS}$	Offset Voltage	$V_{DD} = 2.1V - 2.7V$	1.50		2.10	V
$\Delta V_{OS}$	$V_{OS}$ Magnitude Change				50	mV

[a] Output drive current must be sufficient to drive up to 30cm of PCB trace (assume nominal  $50\Omega$  impedance).

## AC Electrical Characteristics

**Table 9. AC Electrical Characteristics,  $V_{DD} = 1.8V \pm 5\%$ ,  $2.1V - 2.7V$ ,  $T_A = -40^\circ C$  to  $+85^\circ C$ <sup>[a]</sup>**

Symbol	Parameter		Test Conditions	Minimum	Typical	Maximum	Unit
$f_{REF}$	Input Frequency	CLK[0:1], nCLK[0:1]				1.5	GHz
$\Delta V/\Delta t$	Input Edge Rate	CLK[0:1], nCLK[0:1]		1.5			V/ns
$t_{PD}$	Propagation Delay <sup>[b]</sup> <sup>[c]</sup>		CLK[0:1]; nCLK[0:1] to any Qx, nQx	200	340	450	ps
$t_{sk(o)}$	Output Skew <sup>[d]</sup> <sup>[e]</sup>				10	45	ps
$t_{sk(i)}$	Input Skew <sup>Note 5.</sup>				5	45	ps
$t_{sk(p)}$	Pulse Skew		$f_{REF} = 100MHz$		3	20	ps
$t_{sk(pp)}$	Part-to-Part Skew <sup>[f]</sup>					250	ps
$t_{JIT}$	Buffer Additive Phase Jitter, RMS; refer to Additive Phase Jitter Section		$f_{REF} = 156.25MHz$ ; square wave, $V_{DD} = 1.8V \pm 5\%$ , $2.1V - 2.7V$ , $V_{PP} = 0.5V$ ; Integration range: 1kHz – 40MHz		45	63	fs
			$f_{REF} = 156.25MHz$ square wave, $V_{DD} = 1.8V \pm 5\%$ , $2.1V - 2.7V$ , $V_{PP} = 1V$ ; Integration range: 12kHz – 20MHz		34	47	fs
$t_R / t_F$	Output Rise/ Fall Time		10% to 90%, outputs loaded with 100 $\Omega$		225	400	ps
			20% to 80%, outputs loaded with 100 $\Omega$		110	260	ps
$MUX_{ISOLATION}$	Mux Isolation <sup>[g]</sup>		$f_{REF} = 100MHz$		72.6		dB

[a] Electrical parameters are guaranteed over the specified ambient operating temperature range, which is established when the device is mounted in a test socket with maintained transverse airflow greater than 500 lfm. The device will meet specifications after thermal equilibrium has been reached under these conditions.

[b] Measured from the differential input crossing point to the differential output crossing point

[c] Input  $V_{PP} = 400mV$

[d] Defined as skew between outputs at the same supply voltage and with equal load conditions. Measured at the differential cross points.

[e] This parameter is defined in accordance with JEDEC Standard 65.

[f] Defined as skew between outputs on different devices operating at the same supply voltage, same frequency, same temperature and with equal load conditions. Using the same type of inputs on each device, the outputs are measured at the differential cross points.

[g] Qx, nQx outputs measured differentially. See *MUX Isolation diagram* in the *Parameter Measurement Information* section.

**Table 10. Characteristics for 1PPS operation,  $V_{DD} = 1.8V \pm 5\%$ ,  $2.1V - 2.7V$ ,  $T_A = -40^\circ C$  to  $+85^\circ C$ [a] [b] [c] [d]**

Symbol	Parameter	Test Conditions	Minimum	Typical	Maximum	Units
T	Input and Output Pulse Period			1		s
$T_P$	Positive or Negative Pulse Width		100			ns
$t_{PD}$	Propagation Delay;	CLKx/nCLKx to Qx/nQx	200		450	ps
$tsk(p)$	Pulse Skew				20	ps
$tsk(i)$	Input Skew				45	ps
$tsk(o)$	Output Skew <sup>[e]</sup>	Qx/nQx to Qy/nQy			45	ps
$tsk(pp)$	Part-to-Part Skew <sup>[f]</sup>				250	ps
$t_R / t_F$	Output Rise/Fall Time	10% to 90%		215	400	ps

[a] 1PPS (one pulse per second) signals are defined as repetitive pulses with a rate (period) of 1Hz. The positive input pulse width may vary. The active signal edge is the rising edge. Parameters in this table are characterized for a positive input pulse width of 100ns, 100ms and 500ms; All device interfaces are DC-coupled. Parameters are defined in accordance with ITU-T G.703 Amendment 1 - Specifications for the physical layer of the ITU-T G8271/Y.1366 time synchronization interfaces.

[b] Electrical parameters are guaranteed over the specified ambient operating temperature range, which is established when the device is mounted in a test socket with maintained transverse airflow greater than 500lfpm. The device will meet specifications after thermal equilibrium has been reached under these conditions.

[c]  $t_{PD}$ ,  $t_{SK(O)}$ ,  $t_{SK(P)}$  and  $t_{SK(P)}$  parameters of differential signals are referenced to the crosspoint.

[d] Differential outputs for 1PPS signal transmission are terminated balanced 100Ω according to the LVDS Output Load Test Circuit figures. The dedicated 1PPS outputs are the differential outputs Q0-Q3.

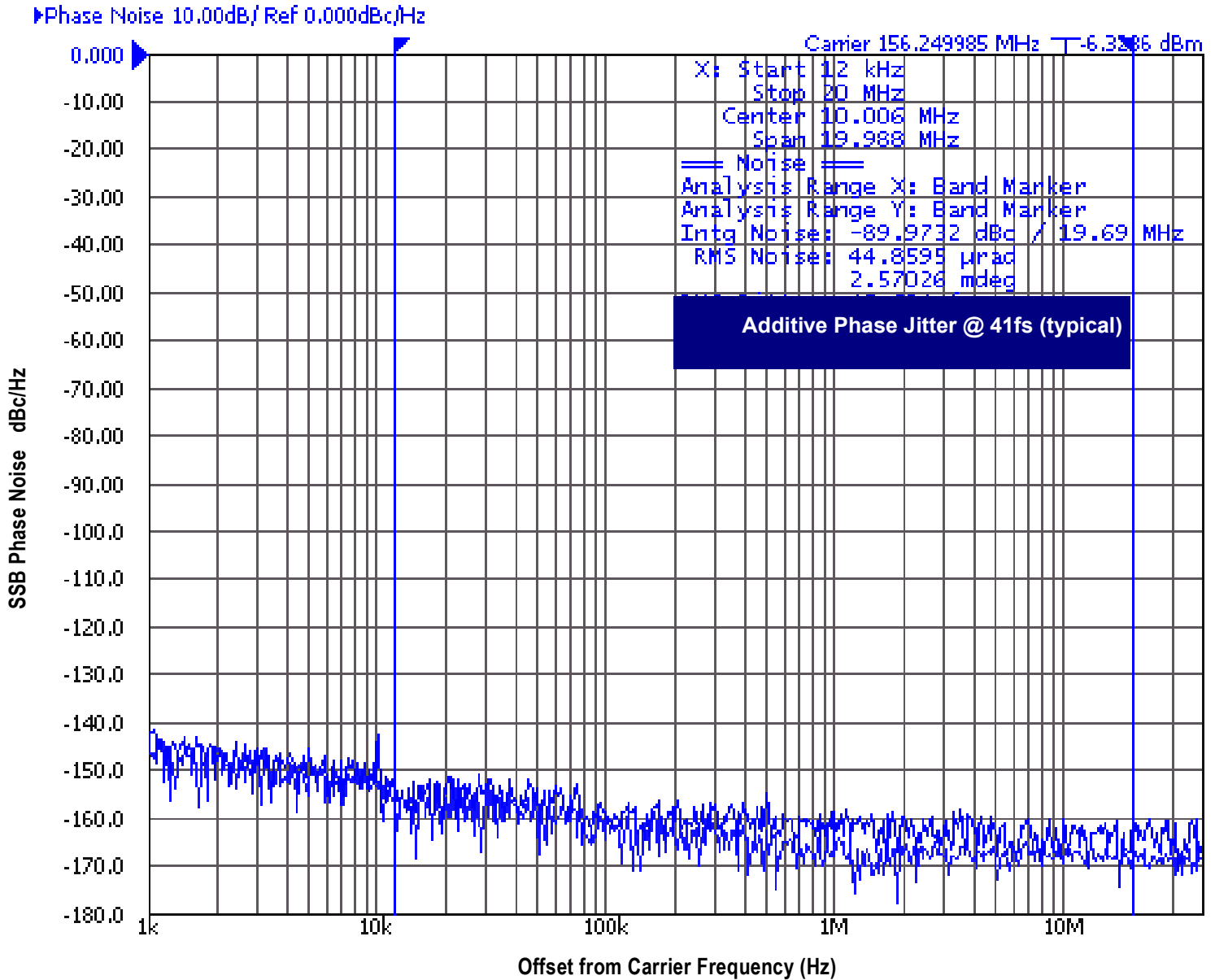
[e] This parameter is defined in accordance with JEDEC Standard 65.

[f] Defined as skew between outputs on different devices operating at the same supply voltages and with equal load conditions. Each device uses the same type of input.

## Additive Phase Jitter

The spectral purity in a band at a specific offset from the fundamental compared to the power of the fundamental is called the **dBc Phase Noise**. This value is normally expressed using a Phase noise plot and is most often the specified plot in many applications. Phase noise is defined as the ratio of the noise power present in a 1Hz band at a specified offset from the fundamental frequency to the power value of the fundamental. This ratio is expressed in decibels (dBm) or a ratio

of the power in the 1Hz band to the power in the fundamental. When the required offset is specified, the phase noise is called a **dBc** value, which simply means dBm at a specified offset from the fundamental. By investigating jitter in the frequency domain, we get a better understanding of its effects on the desired application over the entire time record of the signal. It is mathematically possible to calculate an expected bit error rate given a phase noise plot.

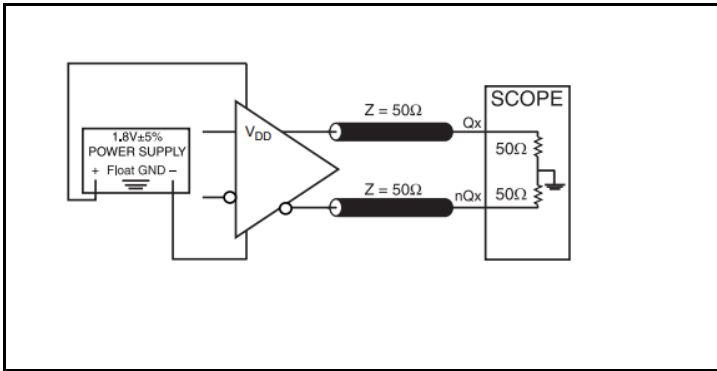


As with most timing specifications, phase noise measurements have issues relating to the limitations of the measurement equipment. The noise floor of the equipment can be higher or lower than the noise floor of the device. Additive phase noise is dependent on both the noise floor of the input source and measurement equipment.

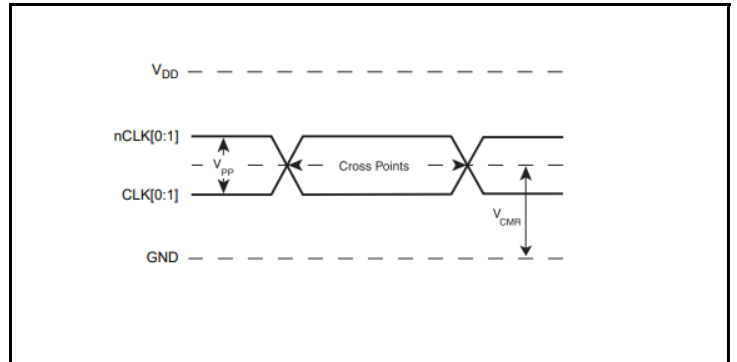
Measured using a Wenzel Oscillator as the input source.



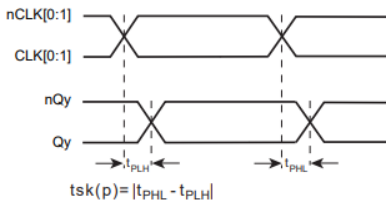
# Parameter Measurement Information



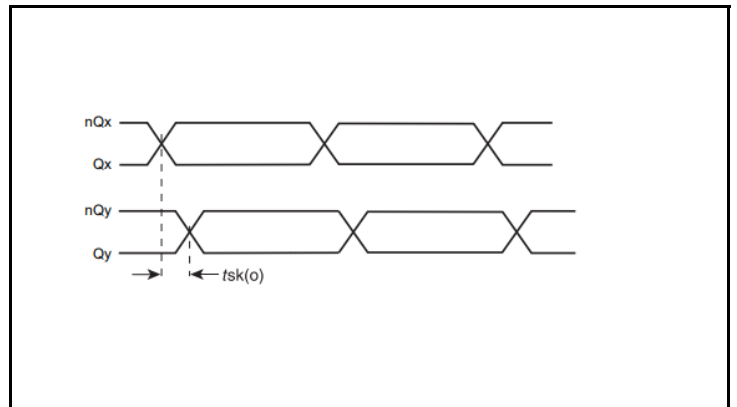
1.8V LVDS Output Load Test Circuit



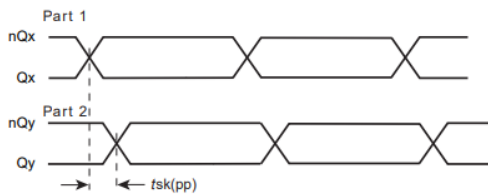
Differential Input Level



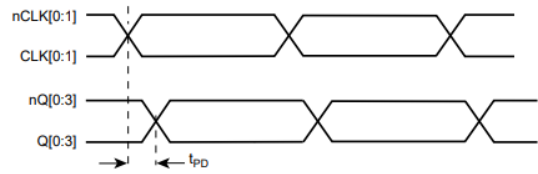
Pulse Skew



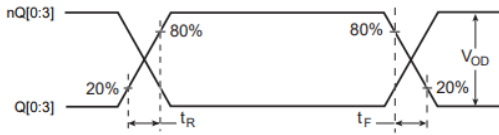
Output Skew



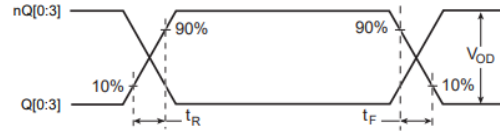
Part-to-Part Skew



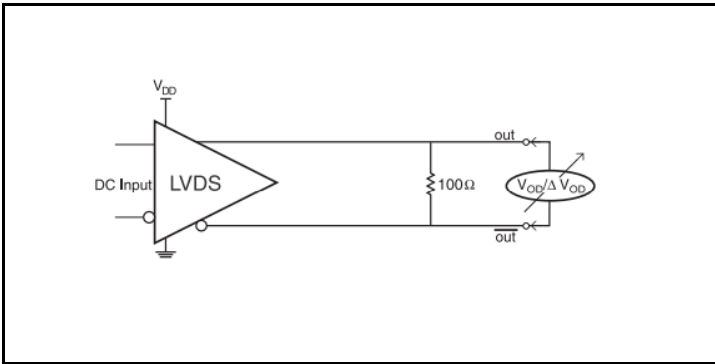
Propagation Delay



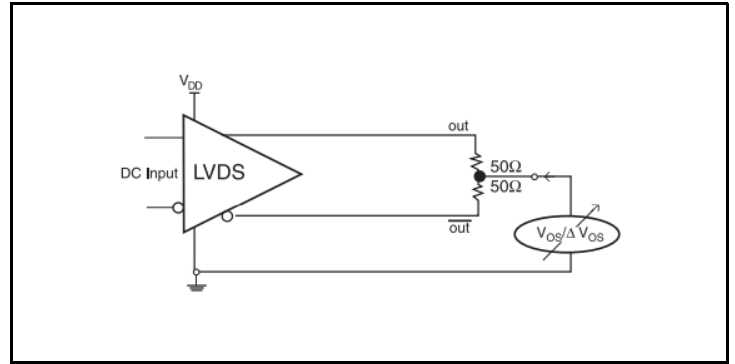
Output Rise/Fall Time, 20% – 80%



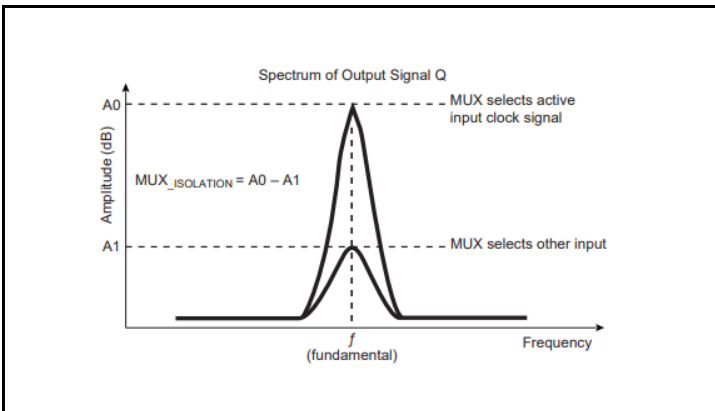
Output Rise/Fall Time, 10% – 90%



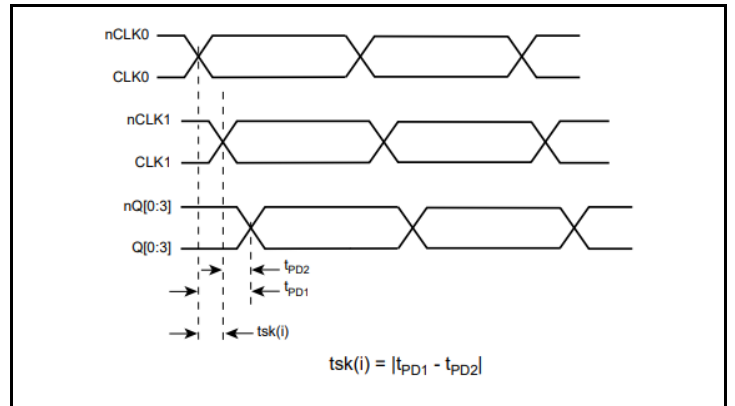
Differential Output Voltage Setup



Offset Voltage Setup



MUX Isolation



Input Skew

## Applications Information

### Wiring the Differential Input to Accept Single-Ended Levels

Figure 1A and Figure 1B show examples of how a differential input can be wired to accept single-ended levels. The values below are for when both the single ended swing and VDD are at the same voltage. This configuration requires that the sum of the output impedance of the driver ( $R_o$ ) and the series resistance ( $R_s$ ) equals the transmission line impedance. In addition, matched termination at the input will attenuate the signal in half. This can be done in one of two ways. First, R3 and R4 in parallel should equal the transmission line impedance and the signal DC offset after AC coupling should be equal to V1. For most  $Z_o = 50\Omega$  applications, R3 = 100 $\Omega$  and R4 can be 100 $\Omega$ .

By keeping the same R3/R4 ratio, the values of the resistors can be increased to reduce the loading for slower and weaker LVCMOS driver. When using single-ended signaling, the noise rejection benefits of differential signaling are reduced. Even though the input can handle larger amplitude signaling, it is recommended that the amplitude be reduced. For single-ended applications, the swing can be larger. Make sure the single-ended logic high and logic low signal operates within specification limit. Though some of the recommended components might not be used, the pads should be placed in the layout. They can be utilized for debugging purposes. The datasheet specifications are characterized and guaranteed by using a differential signal.

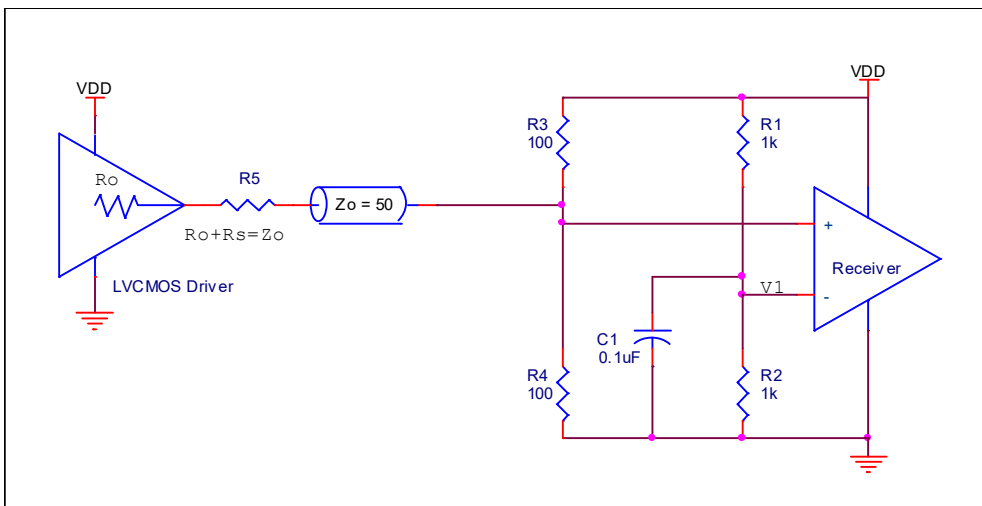


Figure 1A. DC Coupling Example for Wiring a Differential Input to Accept Single-ended Levels

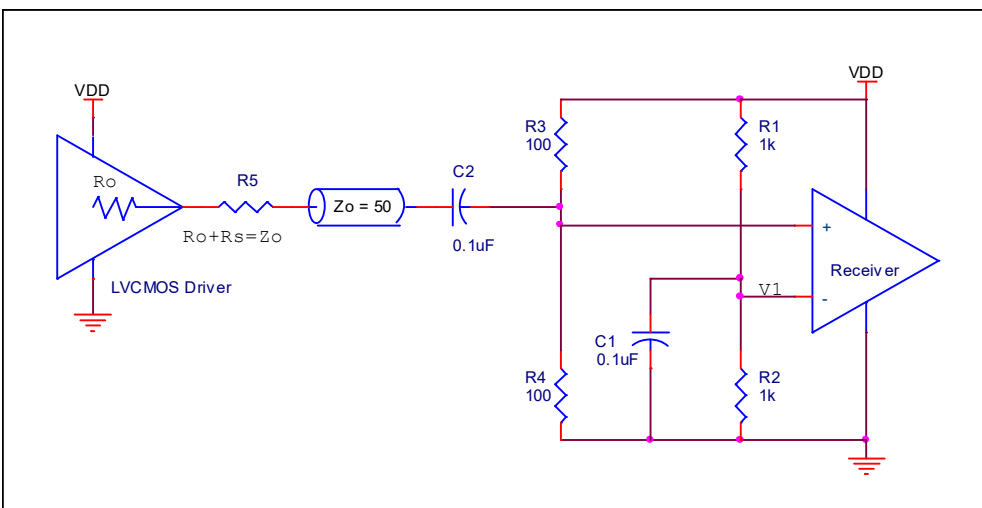


Figure 1B. AC Coupling Example for Wiring a Differential Input to Accept Single-ended Levels

## Recommendations for Unused Input and Output Pins

### Inputs

#### CLK/nCLK Inputs

For applications not requiring the use of a differential input, both the CLK and nCLK pins can be left floating. Though not required, but for additional protection, a 1kΩ resistor can be tied from CLK to ground.

#### 1.8V Differential Clock Input Interface

The CLK /nCLK accepts LVDS and other differential signals. The differential input signal must meet both the  $V_{PP}$  and  $V_{CMR}$  input requirements. Figures 2A to 2D show interface examples for the CLK /nCLK input driven by the most common driver types. The

### Outputs

#### LVDS Outputs

Unused LVDS outputs must either have a 100Ω differential termination or have a 100Ω pull-up resistor to VDD in order to ensure proper device operation

input interfaces suggested here are examples only. If the driver is from another vendor, use their termination recommendation. Please consult with the vendor of the driver component to confirm the driver termination requirements.

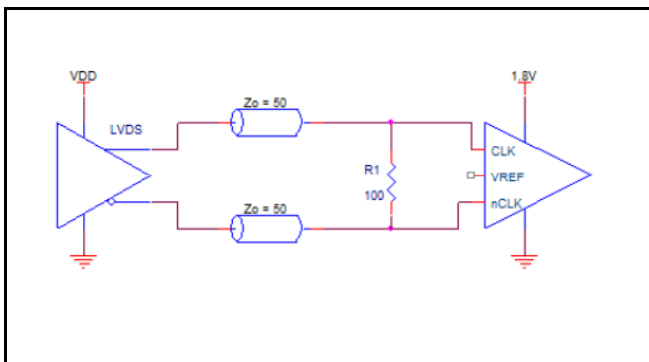


Figure 2A. Differential Input Driven by an LVDS Driver - DC Coupling

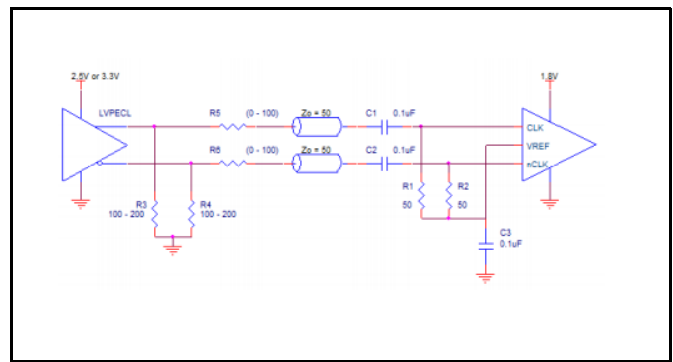


Figure 2B. Differential Input Driven by an LVPECL Driver - AC Coupling

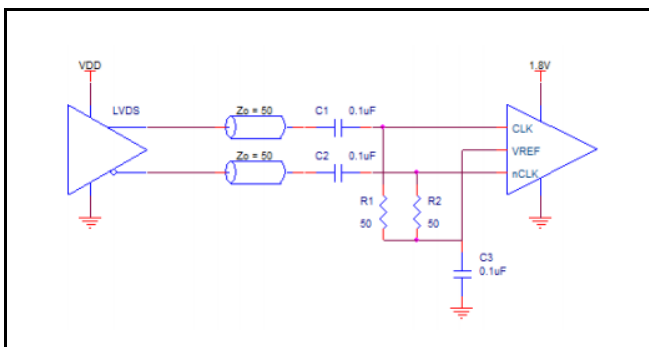


Figure 2C. Differential Input Driven by an LVDS Driver - AC Coupling

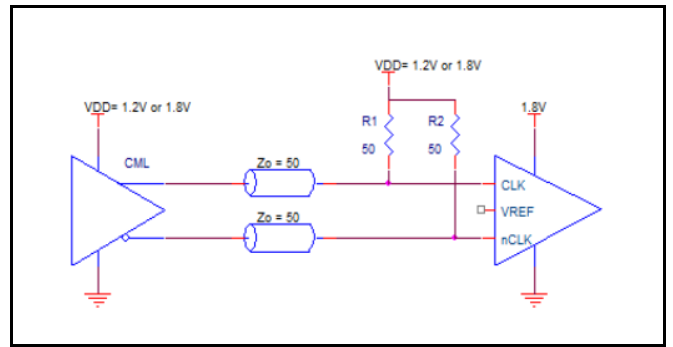
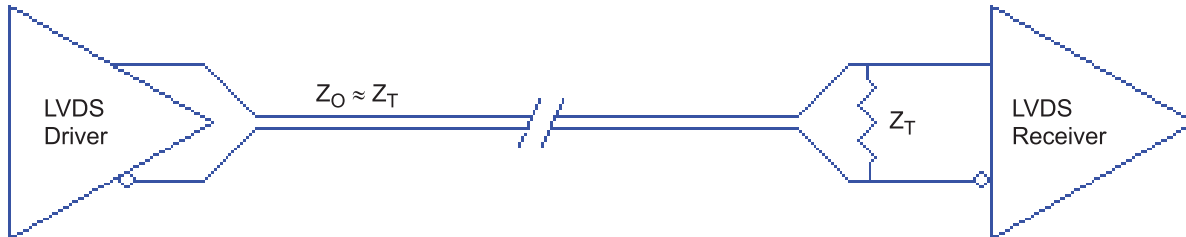


Figure 2D. Differential Input Driven by a CML Driver

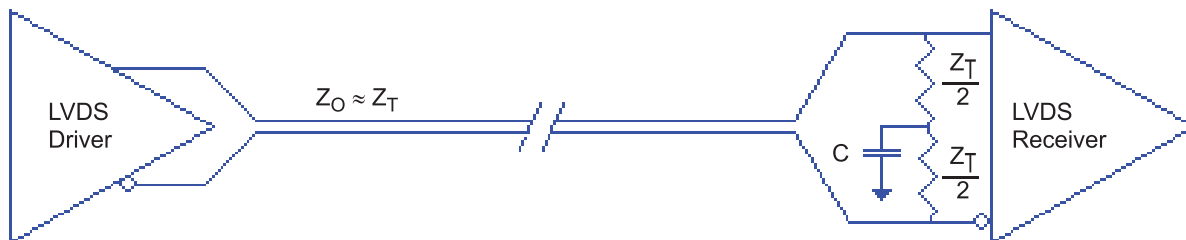
## LVDS Driver Termination

For a general LVDS interface, the recommended value for the termination impedance ( $Z_T$ ) is between  $90\Omega$  and  $132\Omega$ . The actual value should be selected to match the differential impedance ( $Z_0$ ) of your transmission line. A typical point-to-point LVDS design uses a  $100\Omega$  parallel resistor at the receiver and a  $100\Omega$  differential transmission-line environment. In order to avoid any transmission-line reflection issues, the components should be surface mounted and must be placed as close to the receiver as possible. Renesas offers a full line of LVDS compliant devices with two types of output structures: current source and voltage source.

The standard termination schematic as shown in *Figure 3A* can be used with either type of output structure. *Figure 3B*, which can also be used with both output types, is an optional termination with center tap capacitance to help filter common mode noise. The capacitor value should be approximately  $50\text{pF}$ . If using a non-standard termination, it is recommended to contact Renesas and confirm if the output structure is current source or voltage source type. In addition, since these outputs are LVDS compatible, the input receiver's amplitude and common-mode input range should be verified for compatibility with the output.



**Figure 3A. Standard LVDS Termination**



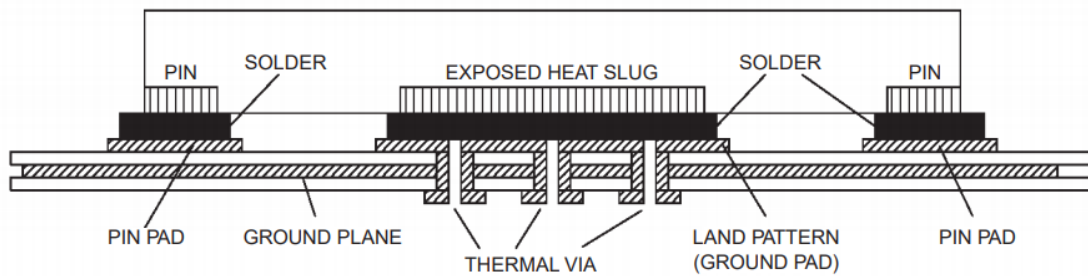
**Figure 3B. Optional LVDS Termination**

### VFQFN EPAD Thermal Release Path

In order to maximize both the removal of heat from the package and the electrical performance, a land pattern must be incorporated on the Printed Circuit Board (PCB) within the footprint of the package corresponding to the exposed metal pad or exposed heat slug on the package, as shown in *Figure 4*. The solderable area on the PCB, as defined by the solder mask, should be at least the same size/shape as the exposed pad/slug area on the package to maximize the thermal/electrical performance. Sufficient clearance should be designed on the PCB between the outer edges of the land pattern and the inner edges of pad pattern for the leads to avoid any shorts.

While the land pattern on the PCB provides a means of heat transfer and electrical grounding from the package to the board through a solder joint, thermal vias are necessary to effectively conduct from the surface of the PCB to the ground plane(s). The land pattern must be connected to ground through these vias. The vias act as “heat pipes”. The number of vias (i.e. “heat pipes”) are application specific and dependent upon the package power dissipation as well as electrical conductivity requirements.

Thus, thermal and electrical analysis and/or testing are recommended to determine the minimum number needed. Maximum thermal and electrical performance is achieved when an array of vias is incorporated in the land pattern. It is recommended to use as many vias connected to ground as possible. It is also recommended that the via diameter should be 12 to 13mils (0.30 to 0.33mm) with 1oz copper via barrel plating. This is desirable to avoid any solder wicking inside the via during the soldering process which may result in voids in solder between the exposed pad/slug and the thermal land. Precautions should be taken to eliminate any solder voids between the exposed heat slug and the land pattern. Note: These recommendations are to be used as a guideline only. For further information, please refer to the Application Note on the Surface Mount Assembly of Amkor’s Thermally/ Electrically Enhance Leadframe Base Package, Amkor Technology.



**Figure 4. P.C. Assembly for Exposed Pad Thermal Release Path – Side View (drawing not to scale)**

## Power Considerations

This section provides information on power dissipation and junction temperature for the 8P34S1212. Equations and example calculations are also provided.

### 1. Power Dissipation.

The total power dissipation for the 8P34S1212 is the sum of the core power plus the output power dissipation into the load. The following is the power dissipation for  $V_{DD} = 2.7V$ , which gives worst case results.

The maximum current at 85°C is as follows:

$$I_{DD\_MAX} = 242mA$$

$$Power_{(core)MAX} = V_{DD\_MAX} * I_{DD\_MAX} = 2.7V * 242mA = \mathbf{653.4mW}$$

$$\mathbf{Total\ Power\_MAX = 653.4mW}$$

### 2. Junction Temperature.

Junction temperature,  $T_j$ , is the temperature at the junction of the bond wire and bond pad directly affects the reliability of the device. The maximum recommended junction temperature is 125°C. Limiting the internal transistor junction temperature,  $T_j$ , to 125°C ensures that the bond wire and bond pad temperature remains below 125°C.

The equation for  $T_j$  is as follows:  $T_j = \theta_{JA} * Pd\_total + T_A$

$T_j$  = Junction Temperature

$\theta_{JA}$  = Junction-to-Ambient Thermal Resistance

$Pd\_total$  = Total Device Power Dissipation (example calculation is in section 1 above)

$T_A$  = Ambient Temperature

In order to calculate junction temperature, the appropriate junction-to-ambient thermal resistance  $\theta_{JA}$  must be used. Assuming no air flow and a multi-layer board, the appropriate value is 33°C/W per Table 6 below.

Therefore,  $T_j$  for an ambient temperature of 85°C with all outputs switching is:

$$85^\circ C + 0.653W * 33^\circ C/W = 106.56^\circ C. \text{ This is below the limit of } 125^\circ C.$$

This calculation is only an example.  $T_j$  will obviously vary depending on the number of loaded outputs, supply voltage, air flow and the type of board (multi-layer).

**Table 11.  $\theta_{JA}$  vs. Air Flow Table for a 40-Lead VFQFPN**

$\theta_{JA}$ vs. Air Flow (m/s)			
Meters per Second	0	1	2
Multi-Layer PCB, JEDEC Standard Test Boards	33.0°C/W	26.3C/W	24.0°C/W

## Reliability Information

**Table 12.  $\theta_{JA}$  vs. Air Flow Table for a 40-Lead VFQFPN**

$\theta_{JA}$ vs. Air Flow (m/s)			
Meters per Second	0	1	2
Multi-Layer PCB, JEDEC Standard Test Boards	33.0°C/W	26.3C/W	24.0°C/W

## Transistor Count

The transistor count for the 8P34S1212 is: 8438

## Package Outline Drawings

The package outline drawings are located at the end of this document and are accessible from the Renesas website (see package links in Ordering Information). The package information is the most current data available and is subject to change without revision of this document.

## Ordering Information

**Table 13. Ordering Information**

Part Number	Marking	Package	Carrier Type	Temperature Range
8P34S1212NLGI	IDT8P34S1212NLGI	Lead-Free 40-VFQFPN	Tray	-40°C to +85°C
8P34S1212NLGI8	IDT8P34S1212NLGI	Lead-Free 40-VFQFPN	Tape & Reel, Pin 1 Orientation: EIA-481-C	-40°C to +85°C
8P34S1212NLGI/W	IDT8P34S1212NLGI	Lead-Free 40-VFQFPN	Tape & Reel, Pin 1 Orientation: EIA-481-D/E	-40°C to +85°C

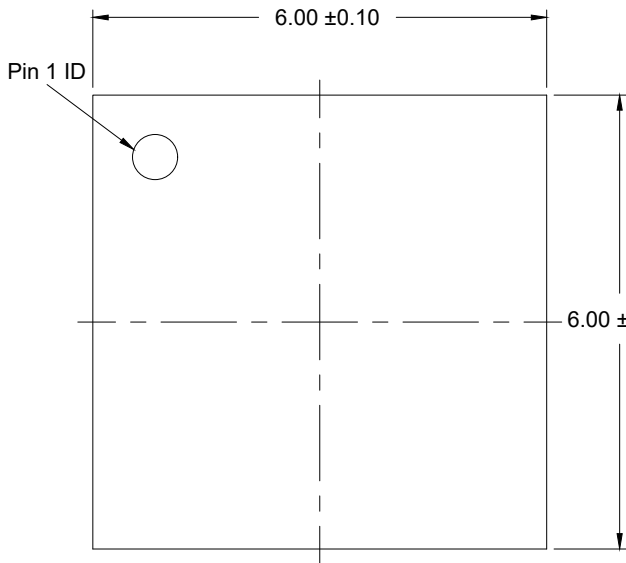
**Table 14. Pin 1 Orientation in Tape and Reel Packaging**

Part Number Suffix	Pin 1 Orientation	Illustration
8	Quadrant 1 (EIA-481-C)	
/W	Quadrant 2 (EIA-481-D/E)	

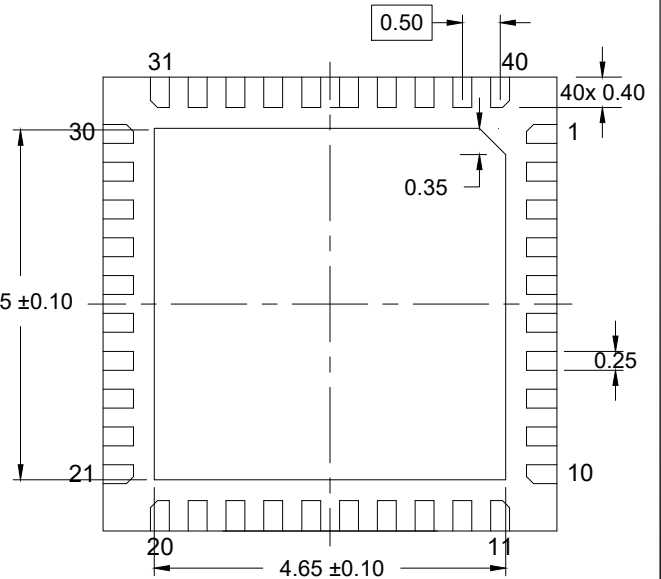


## Revision History

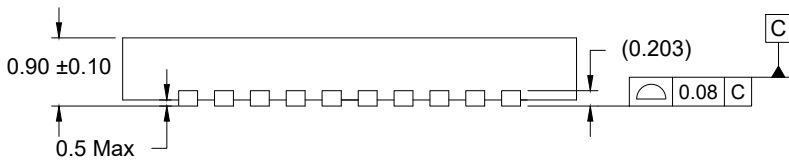
Revision Date	Description
June 4, 2024	<ul style="list-style-type: none"> <li>▪ Updated <a href="#">Ordering Information</a>.</li> <li>▪ Added Table 14.</li> </ul>
May 9, 2023	Updated IDD test conditions in Table 4 and Table 5.
June 14, 2022	Updated the product description on page 1
August 30, 2021	Updated <a href="#">Features</a> <ul style="list-style-type: none"> <li>▪ Changed the “Propagation delay” to 400ps</li> <li>▪ Added a bullet indicating support for “PCI Express Gen 1-5”</li> </ul>
August 13, 2021	Updated Table 8.
August 5, 2021	<ul style="list-style-type: none"> <li>▪ Updated <a href="#">DC Electrical Characteristics</a> and <a href="#">AC Electrical Characteristics</a> to support 2.5V operation</li> <li>▪ Completed other minor changes</li> </ul>
September 4, 2020	Updated the section “Wiring the Differential Input to Accept Single-Ended Levels”.
November 24, 2017	Updated the description of pins 3, 8, and 9 in Table 1 Updated the package drawings; however, no technical changes Completed other minor changes
January 20, 2014	Initial release.



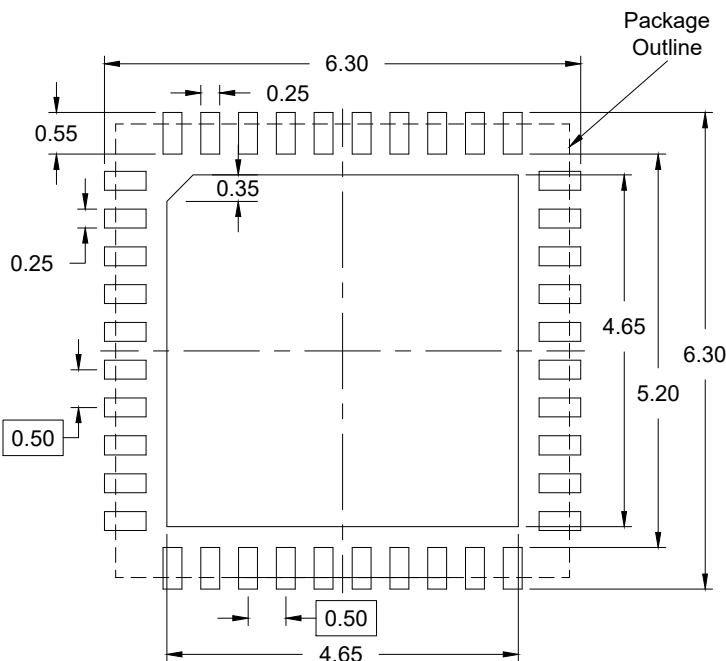
Top View



Bottom View



Side View



Recommended Land Pattern  
(PCB Top View, NSMD Design)

NOTES:

1. JEDEC compatible.
2. All dimensions are in mm and angles are in degrees.
3. Use  $\pm 0.05$  mm for the non-toleranced dimensions.
4. Number in ( ) are for references only.

## IMPORTANT NOTICE AND DISCLAIMER

RENESAS ELECTRONICS CORPORATION AND ITS SUBSIDIARIES (“RENESAS”) PROVIDES TECHNICAL SPECIFICATIONS AND RELIABILITY DATA (INCLUDING DATASHEETS), DESIGN RESOURCES (INCLUDING REFERENCE DESIGNS), APPLICATION OR OTHER DESIGN ADVICE, WEB TOOLS, SAFETY INFORMATION, AND OTHER RESOURCES “AS IS” AND WITH ALL FAULTS, AND DISCLAIMS ALL WARRANTIES, EXPRESS OR IMPLIED, INCLUDING, WITHOUT LIMITATION, ANY IMPLIED WARRANTIES OF MERCHANTABILITY, FITNESS FOR A PARTICULAR PURPOSE, OR NON-INFRINGEMENT OF THIRD-PARTY INTELLECTUAL PROPERTY RIGHTS.

These resources are intended for developers who are designing with Renesas products. You are solely responsible for (1) selecting the appropriate products for your application, (2) designing, validating, and testing your application, and (3) ensuring your application meets applicable standards, and any other safety, security, or other requirements. These resources are subject to change without notice. Renesas grants you permission to use these resources only to develop an application that uses Renesas products. Other reproduction or use of these resources is strictly prohibited. No license is granted to any other Renesas intellectual property or to any third-party intellectual property. Renesas disclaims responsibility for, and you will fully indemnify Renesas and its representatives against, any claims, damages, costs, losses, or liabilities arising from your use of these resources. Renesas' products are provided only subject to Renesas' Terms and Conditions of Sale or other applicable terms agreed to in writing. No use of any Renesas resources expands or otherwise alters any applicable warranties or warranty disclaimers for these products.

(Disclaimer Rev.1.01)

### Corporate Headquarters

TOYOSU FORESIA, 3-2-24 Toyosu,  
Koto-ku, Tokyo 135-0061, Japan  
[www.renesas.com](http://www.renesas.com)

### Trademarks

Renesas and the Renesas logo are trademarks of Renesas Electronics Corporation. All trademarks and registered trademarks are the property of their respective owners.

### Contact Information

For further information on a product, technology, the most up-to-date version of a document, or your nearest sales office, please visit [www.renesas.com/contact-us/](http://www.renesas.com/contact-us/).