

Description

The 9DML2855 is a 2-input, 8-output clock multiplexer supporting PCIe Gen5 and DB2000Q applications. It supports today's complex system power sequencing requirements with Power Down Tolerant and Flexible Power Sequencing features. An OE# pin for each output supports PCIe CLKREQ# functionality.

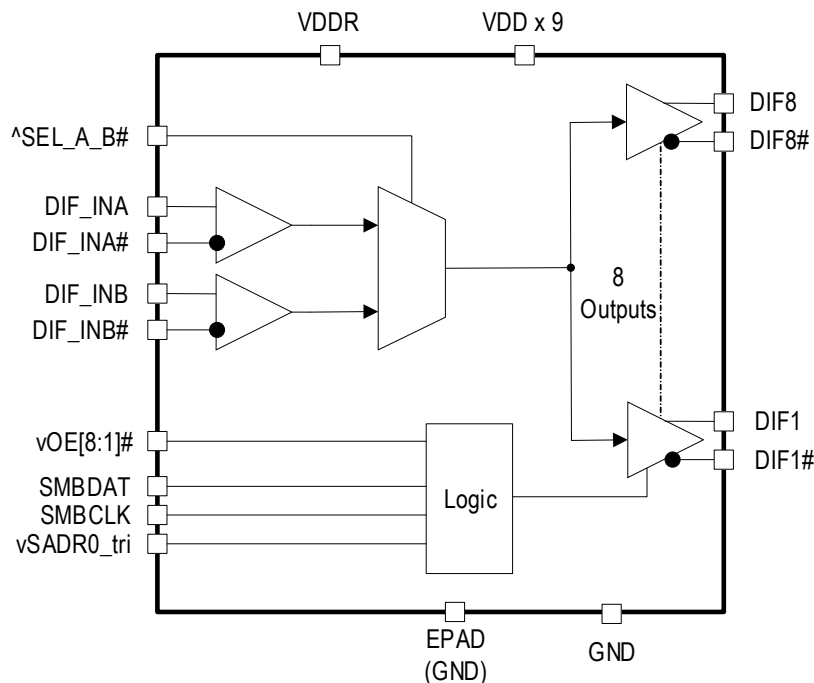
Typical Applications

- Servers
- Enterprise SSDs
- Networking
- Accelerators

Key Specifications

- Output-to-output skew: < 50ps
- Additive phase jitter:
 - PCIe Gen5 < 20fs RMS
 - 12kHz to 20MHz at 156.25MHz < 100fs RMS
 - DB2000Q < 30fs RMS
 - IF-UPI < 125fs RMS
- Backwards compatible to PCIe Gen1–4

Block Diagram



Features

- Flexible Power Sequencing (FPS) ensures good behavior when powered up without input clock
- Power-Down Tolerant Input (PDT) inputs: SEL_A_B#, SADRO_tri, OE# pins
- Integrated terminations eliminate 32 resistors, saving 62mm² of area
- 8 OE# pins; hardware control of each output. SMBus control also available
- 3 selectable SMBus addresses
- Spread spectrum compatible; tracks spreading input clock for EMI reduction
- Maximum operating frequency of 400MHz
- 6 × 6 mm 48-VFQFPN package

Output Features

- 8 Low-Power HCSL (LP-HCSL) output pairs with 85Ω Zout

PCIe Clocking Architectures

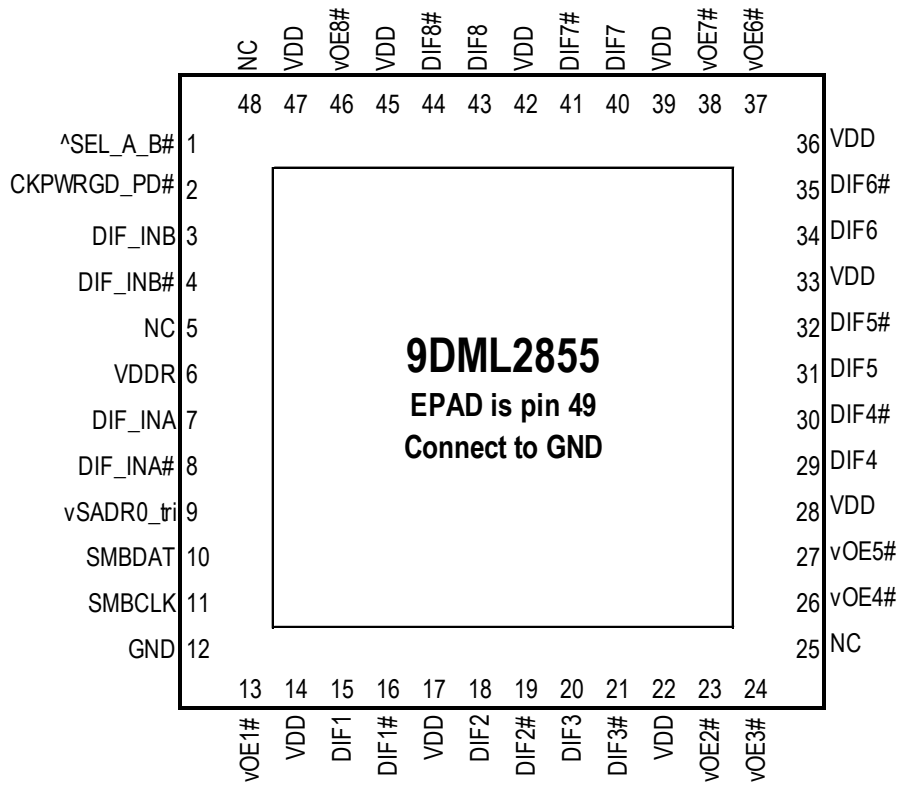
- Common Clocked (CC)
- Independent Reference (IR) with and without Spread Spectrum (SRNS, SRIS)

Contents

Description	1
Typical Applications	1
Key Specifications	1
Features	1
Output Features	1
PCIe Clocking Architectures	1
Block Diagram	1
Pin Assignments	3
Input Clock Bias Network	3
Pin Descriptions	4
Absolute Maximum Ratings	6
Electrical Characteristics	6
Power Management	11
Power Connections	11
Test Loads	12
Alternate Terminations	12
SMBus Addressing	12
General SMBus Serial Interface Information	13
Package Outline Drawings	17
Marking Diagram	17
Ordering Information	17
Revision History	17

Pin Assignments

Figure 1. Pin Assignments for 6 × 6 mm 48-VFQFPN Package – Top View

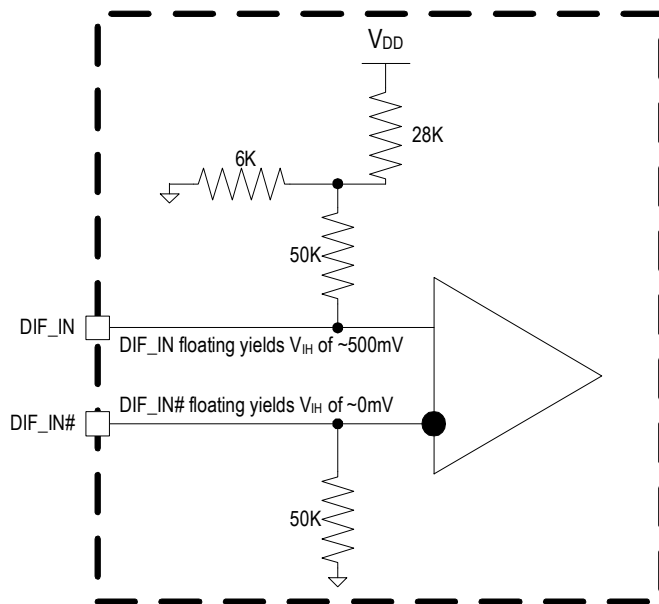


48-VFQFPN, 6mm x 6mm, 0.4mm pitch

- v prefix indicates internal 120kOhm pull-down resistor
- ^ prefix indicates internal 120kOhm pull-up resistor

Input Clock Bias Network

Figure 2. Input Clock Bias Network



Pin Descriptions

Table 1. Pin Descriptions

Number	Name	Type	Description
1	^SEL_A_B#	Input	Input to select differential input clock A or differential input clock B. This input has an internal pull-up resistor. 0 = Input B selected, 1 = Input A selected.
2	CKPWRGD_PD#	Input	3.3V input notifies device to sample latched inputs and start up on first high assertion, or exit Power Down Mode on subsequent assertions. Low enters Power Down Mode.
3	DIF_INB	Input	True input of differential clock
4	DIF_INB#	Input	Complement input of differential clock.
5	NC	—	No connection.
6	VDDR	Power	Power supply for differential input clock (receiver). This VDD should be treated as an analog power rail and filtered appropriately. Nominally 3.3V.
7	DIF_INA	Input	True input of differential clock
8	DIF_INA#	Input	Complement input of differential clock
9	vSADR0_tri	Input	SMBus address bit. This is a tri-level input that works in conjunction with other SADR pins, if present, to decode SMBus addresses. It has an internal pull-down resistor. See the SMBus Addressing table.
10	SMBDAT	I/O	Data pin of SMBus circuitry.
11	SMBCLK	Input	Clock pin of SMBus circuitry.
12	GND	GND	Ground pin.
13	vOE1#	Input	Active low input for enabling output 1. This pin has an internal pull-down. 1 = disable output, 0 = enable output.
14	VDD	Power	Power supply, nominally 3.3V.
15	DIF1	Output	Differential true clock output.
16	DIF1#	Output	Differential complementary clock output.
17	VDD	Power	Power supply, nominally 3.3V.
18	DIF2	Output	Differential true clock output.
19	DIF2#	Output	Differential complementary clock output.
20	DIF3	Output	Differential true clock output.
21	DIF3#	Output	Differential complementary clock output.
22	VDD	Power	Power supply, nominally 3.3V.
23	vOE2#	Input	Active low input for enabling output 2. This pin has an internal pull-down. 1 = disable output, 0 = enable output.
24	vOE3#	Input	Active low input for enabling output 3. This pin has an internal pull-down. 1 = disable output, 0 = enable output.
25	NC	—	No connection.
26	vOE4#	Input	Active low input for enabling output 4. This pin has an internal pull-down. 1 = disable output, 0 = enable output.

Table 1. Pin Descriptions (Cont.)

Number	Name	Type	Description
27	vOE5#	Input	Active low input for enabling output 5. This pin has an internal pull-down. 1 = disable output, 0 = enable output.
28	VDD	Power	Power supply, nominally 3.3V.
29	DIF4	Output	Differential true clock output.
30	DIF4#	Output	Differential complementary clock output.
31	DIF5	Output	Differential true clock output.
32	DIF5#	Output	Differential complementary clock output.
33	VDD	Power	Power supply, nominally 3.3V.
34	DIF6	Output	Differential true clock output.
35	DIF6#	Output	Differential complementary clock output.
36	VDD	Power	Power supply, nominally 3.3V.
37	vOE6#	Input	Active low input for enabling output 6. This pin has an internal pull-down. 1 = disable output, 0 = enable output.
38	vOE7#	Input	Active low input for enabling output 7. This pin has an internal pull-down. 1 = disable output, 0 = enable output.
39	VDD	Power	Power supply, nominally 3.3V.
40	DIF7	Output	Differential true clock output.
41	DIF7#	Output	Differential complementary clock output.
42	VDD	Power	Power supply, nominally 3.3V.
43	DIF8	Output	Differential true clock output.
44	DIF8#	Output	Differential complementary clock output.
45	VDD	Power	Power supply, nominally 3.3V.
46	vOE8#	Input	Active low input for enabling output 8. This pin has an internal pull-down. 1 = disable output, 0 = enable output.
47	VDD	Power	Power supply, nominally 3.3V.
48	NC	—	No connection.
49	EPAD	Power	Ground.

Absolute Maximum Ratings

The absolute maximum ratings are stress ratings only. Stresses greater than those listed below can cause permanent damage to the device. Functional operation of the 9DML2855 at absolute maximum ratings is not implied. Exposure to absolute maximum rating conditions may affect device reliability.

Table 2. Absolute Maximum Ratings

Parameter	Symbol	Conditions	Minimum	Typical	Maximum	Units	Notes
Storage Temperature	Ts		-65		3.9	V	1,2
Input Low Voltage	V _{IL}		GND-0.5			V	1
Input High Voltage	V _{IH}	Except for SMBus interface.			V _{DD} +0.5	V	1,3
Input High Voltage	V _{IHSMB}	SMBus clock and data pins.			3.9	V	1
Storage Temperature	Ts		-65		150	°C	1
Junction Temperature	Tj				125	°C	1
Input ESD protection	ESD prot	Human Body Model.	2000			V	1

¹ Guaranteed by design and characterization, not 100% tested in production.

² Operation under these conditions is neither implied nor guaranteed.

³ Not to exceed 3.9V.

Electrical Characteristics

Over specified temperature and voltage ranges unless otherwise indicated. See [Test Loads](#) for loading conditions.

Table 3. SMBus Parameters

Parameter	Symbol	Conditions	Minimum	Typical	Maximum	Units	Notes
SMBus Input Low Voltage	V _{ILSMB}				0.8	V	
SMBus Input High Voltage	V _{IHSMB}		2.1		V _{DD} SMB	V	
SMBus Output Low Voltage	V _{OLSMB}	At I _{PULLUP} .			0.4	V	
SMBus Sink Current	I _{PULLUP}	At V _{OL} .	4			mA	
Nominal Bus Voltage	V _{DD} SMB		2.7		3.6	V	1
SCLK/SDATA Rise Time	t _{RSMB}	(Max V _{IL} - 0.15V) to (Min V _{IH} + 0.15V).			1000	ns	1
SCLK/SDATA Fall Time	t _{FSMB}	(Min V _{IH} + 0.15V) to (Max V _{IL} - 0.15V).			300	ns	1
SMBus Operating Frequency	f _{MaxSMB}	Maximum SMBus operating frequency.			400	kHz	4

¹ Guaranteed by design and characterization, not 100% tested in production.

² Control input must be monotonic from 20% to 80% of input swing.

³ Time from deassertion until outputs are > 200 mV.

⁴ The selected differential input clock must be running for the SMBus to be active.

Table 4. Input/Supply/Common Parameters

Parameter	Symbol	Conditions	Minimum	Typical	Maximum	Units	Notes
Supply Voltage	V_{DDx}	Supply voltage for core and analog.	3.135	3.3	3.465	V	
Ambient Operating Temperature	T_{AMB}	Industrial range.	-40		85	°C	
Input High Voltage	V_{IH}	Single-ended inputs, except SMBus, tri-level inputs.	2		$V_{DD} + 0.3$	V	
Input Low Voltage	V_{IL}	Single-ended inputs, except SMBus, tri-level inputs.	GND - 0.3		0.8	V	
Input High Voltage	V_{IH}	Tri-Level inputs (_tri suffix).	2.2		$V_{DD} + 0.3$	V	
Input Mid Voltage	V_{IM}	Tri-Level inputs (_tri suffix).	1.2	$V_{DD}/2$	1.8	V	
Input Low Voltage	V_{IL}	Tri-Level inputs (_tri suffix).	GND - 0.3		0.8	V	
Input Current	I_{IN}	Single-ended inputs, $V_{IN} = GND$, $V_{IN} = V_{DD}$.	-5		5	μA	
	I_{INP}	Single-ended inputs. $V_{IN} = 0V$; Inputs with internal pull-up resistors. $V_{IN} = V_{DD}$; Inputs with internal pull-down resistors.	-100		100	μA	
Input Frequency	F_{IN}	Input Clock Detect not used, Byte 4, bit 6 = 0 (default).	1		400	MHz	
	F_{IN}	Input Clock Detect used, Byte 4, bit 6 = 1.	25		400	MHz	
Pin Inductance	L_{pin}				7	nH	1
Capacitance	C_{IN}	Logic Inputs, except DIF_IN.	1.5		5	pF	1
	C_{INDIF_IN}	DIF_IN differential clock inputs.	1.5		2.7	pF	1,4
	C_{OUT}	Output pin capacitance.			6	pF	1
Clk Stabilization	t_{STAB}	From V_{DD} power-up and after input clock stabilization or de-assertion of PD# to 1st clock.		1	1.8	ms	1,2
Input SS Modulation Frequency PCIe	$f_{MODINPCle}$	Allowable frequency for PCIe applications. (Triangular Modulation)	30	31.6	33	kHz	
OE# Latency	$t_{LATOE\#}$	DIF start after OE# assertion. DIF stop after OE# deassertion.	4	5	10	clocks	1,2,3
Tdrive_PD#	t_{DRVPD}	DIF output enable after PD# de-assertion.		85	300	μs	1,3
Tfall	t_F	Fall time of control inputs.			5	ns	2
Trise	t_R	Rise time of control inputs.			5	ns	2

¹ Guaranteed by design and characterization, not 100% tested in production.

² Control input must be monotonic from 20% to 80% of input swing.

³ Time from deassertion until outputs are > 200mV, PLL mode.

⁴ DIF_IN input.

Table 5. DIF_IN Clock Input Parameters

Parameter	Symbol	Conditions	Minimum	Typical	Maximum	Units	Notes
Input Crossover Voltage	V_{CROSS}	Crossover voltage.	150		900	mV	1
Input Swing – DIF_IN	V_{SWING}	Differential value.	300			mV	1
Input Slew Rate – DIF_IN	dv/dt	Measured differentially.	0.35		8	V/ns	1,2
Input Leakage Current	I_{IN}	$V_{IN} = 800\text{mV}$, $V_{IN} = \text{GND}$.	-200		200	uA	
Input Duty Cycle	d_{tin}	Measurement from differential waveform.	45		55	%	1
Input Jitter – Cycle to Cycle	J_{DIFIn}	Differential Measurement.	0		125	ps	1

¹ Guaranteed by design and characterization, not 100% tested in production.

² Slew rate measured through $\pm 75\text{mV}$ window centered around differential zero.

Table 6. DIFn LP-HCSL Outputs

Parameter	Symbol	Conditions	Minimum	Typical	Maximum	Industry Limit	Units	Notes
Slew Rate	dV/dt	Scope averaging on.	2.3	2.8	3.5	0.6–4	V/ns	1,2,3
Slew Rate Matching	$\Delta\text{dV/dt}$	Slew rate matching, Scope averaging on.		7	17	20	%	1,2,4,7
Maximum Voltage	V_{max}	Measurement on single-ended signal using absolute value. (Scope averaging off).	763	825	897	660–1150	mV	7
Minimum Voltage	V_{min}		-90	-45		-300		7
Crossing Voltage (abs)	V_{cross_abs}	Scope averaging off.	344	387	434	250–550	mV	1,5,7
Crossing Voltage (var)	$\Delta\text{-}V_{cross}$	Scope averaging off.		15	21	140	mV	1,6,7

¹ Guaranteed by design and characterization, not 100% tested in production.

² Measured from differential waveform.

³ Slew rate is measured through the V_{swing} voltage range centered around differential 0 V. This results in a $\pm 150\text{mV}$ window around differential 0V.

⁴ Matching applies to rising edge rate for Clock and falling edge rate for Clock#. It is measured using a $\pm 75\text{mV}$ window centered on the average cross point where Clock rising meets Clock# falling. The median cross point is used to calculate the voltage thresholds the oscilloscope is to use for the edge rate calculations.

⁵ V_{cross} is defined as voltage where Clock = Clock# measured on a component test board and only applies to the differential rising edge (i.e. Clock rising and Clock# falling).

⁶ The total variation of all V_{cross} measurements in any particular system. Note that this is a subset of $V_{cross_min/max}$ (V_{cross} absolute) allowed. The intent is to limit V_{cross} induced modulation by setting $\Delta\text{-}V_{cross}$ to be smaller than V_{cross} absolute.

⁷ At default SMBus settings.

Table 7. Current Consumption

Parameter	Symbol	Conditions	Minimum	Typical	Maximum	Units	Notes
Operating Supply Current	I_{DDx}	All other V_{DD} pins, all outputs at 100MHz, $C_L = 2\text{pF}$.		50	63	mA	
	I_{DDR}	V_{DDR} pins, all outputs at 100MHz, $C_L = 2\text{pF}$.		4	4	mA	
Powerdown Current	I_{DDx}	All other V_{DD} pins, all outputs Low/Low.		4	5	mA	
	I_{DDR}	V_{DDR} pins, all outputs at 100MHz, $C_L = 2\text{pF}$.		0.8	1	mA	

Table 8. Skew and Differential Parameters

Parameter	Symbol	Conditions	Minimum	Typical	Maximum	Units	Notes
CLK_IN, DIF[x:0]	t _{PD_BYP}	Input-to-Output Skew, at 100MHz and 156.25MHz, nominal temperature and voltage.	2.5	3.2	4.0	ns	1,2,3
CLK_IN, DIF[x:0]	t _{DSPO_BYP}	Input-to-Output Skew Variation, at 100MHz and 156.25MHz, across voltage and temperature, T _{AMB} = 0°C to 70°C, default slew rate.	-250	0.0	250	ps	1,2,3
		Input-to-Output Skew Variation, at 100MHz and 156.25MHz, across voltage and temperature, T _{AMB} = -40°C to 85°C, default slew rate.	-350	0.0	350	ps	1,2,3,6
DIF[x:0]	t _{SKREW_ALL}	Output-to-Output Skew across all outputs, at 100MHz and 156.25MHz, default slew rate.		19	50	ps	1,2,3,6
Duty Cycle Distortion	t _{DCD}	Measured differentially at 100MHz and 156.25MHz.	-0.5	0.3	0.5	%	1,7

¹ Measured into fixed 2pF load capacitor. Input to output skew is measured at the first output edge following the corresponding input.

² Measured from differential cross-point to differential cross-point.

³ All input-to-output specs refer to the timing between an input edge and the specific output edge created by it.

⁴ This parameter is deterministic for a given device.

⁵ Measured with scope averaging on to find mean value.

⁶ Guaranteed by design and characterization, not 100% tested in production.

⁷ Duty cycle distortion is the difference in duty cycle between the output and the input clock in fanout mode.

⁸ Measured from differential waveform.

Table 9. Additive PCIe Phase Jitter

T_{AMB} = over the specified operating range. Supply voltages per normal operation conditions; see [Test Loads](#) for loading conditions.

Parameter	Symbol	Conditions	Minimum	Typical	Maximum	Industry Limit	Units	Notes
Additive PCIe Phase Jitter (Common Clocked Architecture)	t _{jphPCIeG1-CC}	PCIe Gen1 (2.5 GT/s).		1.07	1.3	86	ps (p-p)	1,2
	t _{jphPCIeG2-CC}	PCIe Gen2 Low Band (5.0 GT/s).		0.02	0.022	3	ps (RMS)	1,2
		PCIe Gen2 High Band (5.0 GT/s).		0.08	0.1	3.1	ps (RMS)	1,2
	t _{jphPCIeG3-CC}	PCIe Gen3 (8.0 GT/s).		0.04	0.05	1	ps (RMS)	1,2
	t _{jphPCIeG4-CC}	PCIe Gen4 (16.0 GT/s).		0.04	0.05	0.5	ps (RMS)	1,2,3,4
	t _{jphPCIeG5-CC}	PCIe Gen5 (32.0 GT/s).		0.015	0.018	0.15	ps (RMS)	1,2,3,5

Table 9. Additive PCIe Phase Jitter (Cont.)

T_{AMB} = over the specified operating range. Supply voltages per normal operation conditions; see [Test Loads](#) for loading conditions.

Parameter	Symbol	Conditions	Minimum	Typical	Maximum	Industry Limit	Units	Notes
Additive PCIe Phase Jitter (SRIS Architecture)	t _{jphPCIeG1-SRIS}	PCIe Gen1 (2.5 GT/s).		0.58	0.82	N/A	ps (p-p)	1,2,6
	t _{jphPCIeG2-SRIS}	PCIe Gen2 Low Band (5.0 GT/s).		0.03	0.04		ps (RMS)	1,2,6
		PCIe Gen2 High Band (5.0 GT/s).		0.10	0.12		ps (RMS)	1,2,6
	t _{jphPCIeG3-SRIS}	PCIe Gen3 (8.0 GT/s).		0.050	0.059		ps (RMS)	1,2,6
	t _{jphPCIeG4-SRIS}	PCIe Gen4 (16.0 GT/s).		0.050	0.059		ps (RMS)	1,2,6
	t _{jphPCIeG5-SRIS}	PCIe Gen5 (32.0 GT/s).		0.019	0.023		ps (RMS)	1,2,6

¹ The REFCLK jitter is measured after applying the filter functions found in PCI Express Base Specification 5.0, Revision 1.0. See the [Test Loads](#) section of the data sheet for the exact measurement setup.

² Jitter measurements shall be made with a capture of at least 100,000 clock cycles captured by a real-time oscilloscope (RTO) with a sample rate of 20GS/s or greater. Broadband oscilloscope noise must be minimized in the measurement. The measured PP jitter is used (no extrapolation) for RTO measurements. Alternately - Jitter measurements may be used with a Phase Noise Analyzer (PNA) extending (flat) and integrating and folding the frequency content up to an offset from the carrier frequency of at least 200MHz (at 300MHz absolute frequency) below the Nyquist frequency. For PNA measurements for the 2.5GT/s data rate, the RMS jitter is converted to peak to peak jitter using a multiplication factor of 8.83. In the case where real-time oscilloscope and PNA measurements have both been done and produce different results, the RTO result must be used. Additive jitter for RMS values is calculated by solving for "b" where $[b = \sqrt{c^2 - a^2}]$, "a" is rms input jitter and "c" is rms total jitter.

³ SSC spurs from the fundamental and harmonics are removed up to a cutoff frequency of 2MHz taking care to minimize removal of any non-SSC content.

⁴ Note that 0.7ps RMS is to be used in channel simulations to account for additional noise in a real system

⁵ Note that 0.25ps RMS is to be used in channel simulations to account for additional noise in a real system

⁶ While the PCI Express Base specification 5.0, Revision 1.0 provides the filters necessary to calculate SRIS jitter values, it does not provide specification limits, hence the N/A in the Limits column.

Table 10. Additive Non-PCIe Phase Jitter

T_{AMB} = over the specified operating range. Supply voltages per normal operation conditions; see [Test Loads](#) for loading conditions.

Parameter	Symbol	Conditions	Minimum	Typical	Maximum	Industry Limit	Units	Notes
Additive DB2000Q Phase Jitter	t _{jphDB2000Q}	DB2000Q filter.		23	27	80	fs (RMS)	1,2
Additive 12kHz–20MHz Phase Jitter	t _{jph12k-20M}	100MHz, includes 1MHz–10MHz IF-UPI		108	123	N/A	fs (RMS)	1,2,3
		156.25MHz.		89	96	N/A	fs (RMS)	1,2

¹ The REFCLK jitter is measured after applying the filter functions. See the [Test Loads](#) section of the data sheet for the exact measurement setup.

² Additive jitter for RMS values is calculated by solving for "b" where $[b = \sqrt{c^2 - a^2}]$, "a" is rms input jitter and "c" is rms total jitter.

³ IF-UPI is specified as 1ps RMS maximum over a 1MHz to 10MHz brickwall filter. When the 12kHz to 20MHz value is < 1ps RMS, the IF-UPI specification is also met.

Power Management

Inputs			Control Bits		Outputs
CKPWRGD_PD#	Selected Input Clock (DIF_INx)	Output Enable Pin (OEx#)	Output Enable Bit (DIFn EN)	Input Detect Enable Bit Byte4, bit6	DIFn
0	X	X	X	X	Low/Low
1	Running	X	0	X	Low/Low
		1	X	X	Low/Low
		0	1	X	Running
1	Stopped	X	0	0	Low/Low
		1	X	0	Low/Low
		0	1	0	DIF_INx
1	Stopped	X	X	1	Low/Low

x = A or B

n = 1 to 8

Power Connections

Pin Number		Description
V _{DD}	GND	
6	12, 49 (EPAD)	Analog Input
14, 17, 22, 28, 33, 36, 39, 42, 45		Output clocks and internal circuits

Test Loads

Figure 3. AC/DC Test Load

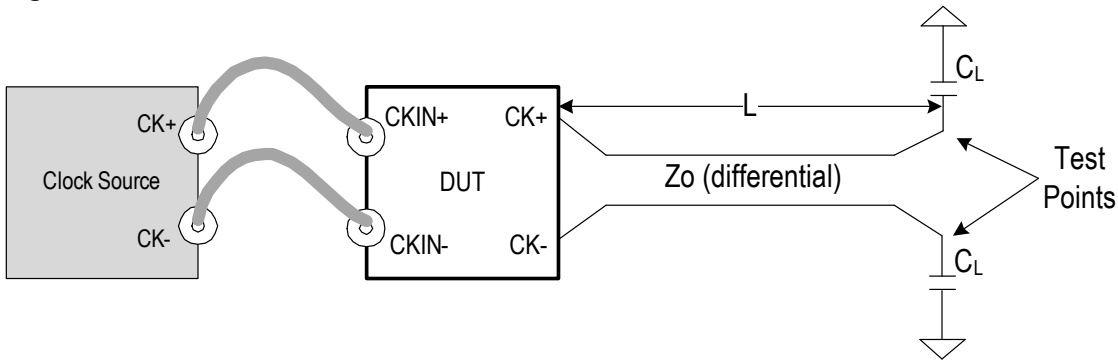


Figure 4. Test Setup for Jitter Measurements

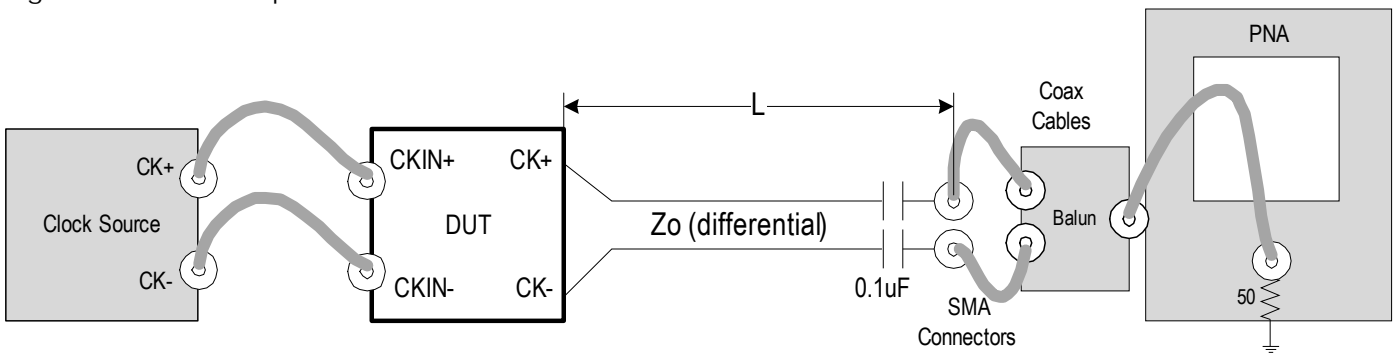


Table 11. Parameters for Output Test Loads

Clock Source	Rs (Ω)	Zo (Ω)	L (inches)	CL (pF)	
SMA100B	Internal	85	5	2	For all measurements except PCIe SRIS.
9FGV1006B	Internal	85	5	2	For PCIe SRIS.

Alternate Terminations

The output can easily drive other logic families. See [“AN-891 Driving LVPECL, LVDS, and CML Logic with IDT’s “Universal” Low-Power HCSL Outputs”](#) for LVPECL, LVDS, CML, and SSTL.

SMBus Addressing

Table 12. SMBus Addressing

SMB_A0_tri	SMBus Address (Read/Write bit = 0)
0	D8
M	DA
1	DE

General SMBus Serial Interface Information

How to Write

- Controller (host) sends a start bit
- Controller (host) sends the write address
- Renesas clock will **acknowledge**
- Controller (host) sends the beginning byte location = N
- Renesas clock will **acknowledge**
- Controller (host) sends the byte count = X
- Renesas clock will **acknowledge**
- Controller (host) starts sending Byte N through Byte N+X-1
- Renesas clock will **acknowledge** each byte **one at a time**
- Controller (host) sends a stop bit

Index Block Write Operation		
Controller (Host)		Renesas (Slave/Receiver)
T	starT bit	
Slave Address		
WR	WRite	
Beginning Byte = N		ACK
		ACK
Data Byte Count = X		ACK
Beginning Byte N		ACK
O	X Byte	O
O		O
O		O
		O
Byte N + X - 1		ACK
P	stoP bit	

How to Read

- Controller (host) will send a start bit
- Controller (host) sends the write address
- Renesas clock will **acknowledge**
- Controller (host) sends the beginning byte location = N
- Renesas clock will **acknowledge**
- Controller (host) will send a separate start bit
- Controller (host) sends the read address
- Renesas clock will **acknowledge**
- Renesas clock will send the data byte count = X
- Renesas clock sends Byte N+X-1
- Renesas clock sends **Byte 0–Byte X (if X_(H) was written to Byte 8)**
- Controller (host) will need to acknowledge each byte
- Controller (host) will send a not acknowledge bit
- Controller (host) will send a stop bit

Index Block Read Operation		
Controller (Host)		Renesas (Slave/Receiver)
T	starT bit	
Slave Address		
WR	WRite	
Beginning Byte = N		ACK
		ACK
RT	Repeat starT	
Slave Address		
RD	ReaD	
		ACK
		Data Byte Count = X
ACK		Beginning Byte N
ACK		O
O		O
O		O
O		
		Byte N + X - 1
N	Not acknowledge	
P	stoP bit	

SMBus Table: PLL Mode and Frequency Select Register

Byte 0	Name	Control Function	Type	0	1	Default
Bit 7	Reserved Read Only					0
Bit 6	Reserved Read Only					1
Bit 5	SEL_A_B#	Input Select Readback	R	DIF_INB	DIF_INA	Real Time
Bit 4	Reserved					0
Bit 3	INP_SEL_SW_EN	Enable S/W control of Input select	RW	Pin Control	SMBus Control	0
Bit 2	PLL Mode bit [1]	PLL Operating Mode 1	RW	See PLL Operating Mode Readback Table		0
Bit 1	PLL Mode bit [0]	PLL Operating Mode 1	RW			1
Bit 0	SEL_A_B#	Input Select control bit	RW	DIF_INB	DIF_INA	1

SMBus Table: Output Enable Register

Byte 1	Name	Control Function	Type	0	1	Default
Bit 7	Reserved					0
Bit 6	DIF6_En	Output Control overrides OE# pin	RW	Low/Low	Pin Control	1
Bit 5	DIF5_En	Output Control overrides OE# pin	RW			1
Bit 4	DIF4_En	Output Control overrides OE# pin	RW			1
Bit 3	DIF3_En	Output Control overrides OE# pin	RW			1
Bit 2	DIF2_En	Output Control overrides OE# pin	RW			1
Bit 1	DIF1_En	Output Control overrides OE# pin	RW			1
Bit 0	Reserved					0

SMBus Table: Output Enable Register

Byte 2	Name	Control Function	Type	0	1	Default
Bit 7	Reserved					0
Bit 6	Reserved					0
Bit 5	Reserved					0
Bit 4	Reserved					0
Bit 3	Reserved					0
Bit 2	DIF8_En	Output Control overrides OE# pin	RW	Low/Low	Pin Control	1
Bit 1	DIF7_En	Output Control overrides OE# pin	RW			1
Bit 0	Reserved					0

SMBus Table: Reserved Register

Byte 3	Name	Control Function	Type	0	1	Default
Bit 7		Reserved				0
Bit 6		Reserved				0
Bit 5		Reserved				0
Bit 4		Reserved				0
Bit 3		Reserved				0
Bit 2		Reserved				0
Bit 1		Reserved				0
Bit 0		Reserved				0

SMBus Table: Input_Detect_ReadBack Register

Byte 4	Name	Control Function	Type	0	1	Default
Bit 7	Input_Detect_RB	Selected input clock is present	R	Selected Input is not present	Selected input is present	See Notes
Bit 6	Input_Detect_En	Enable or disable Input Detect	RW	Input Detect is Disabled	Input Detect is Enabled	0
Bit 5		Reserved				0
Bit 4		Reserved				0
Bit 3		Reserved				0
Bit 2		Reserved				0
Bit 1		Reserved				0
Bit 0		Reserved				0

Notes on Byte 4:

Clock detect circuit monitors selected input clock (A or B).

Parks the output clocks in a low/low state ~150ns after input clock disappears.

When enabled (Byte 4, bit 6 set to '1'):

- Minimum operating frequency is 25MHz
- Real-time absence or presence of selected input clock may be read back from Byte 4, bit 7

When disabled (Byte 4, bit 6 set to '0' - default):

- Minimum operating frequency is unchanged at 1MHz
- Byte 4, bit 7 reads 0

SMBus Table: Vendor & Revision ID Register

Byte 5	Name	Control Function	Type	0	1	Default
Bit 7	RID3	REVISION ID	R	1st Revision = 0000		0
Bit 6	RID2		R			0
Bit 5	RID1		R			0
Bit 4	RID0		R			0
Bit 3	VID3	VENDOR ID	R	IDT/Renesas = 0001		0
Bit 2	VID2		R			0
Bit 1	VID1		R			0
Bit 0	VID0		R			1

SMBus Table: Device ID Register

Byte 6	Name	Control Function	Type	0	1	Default
Bit 7	Device ID 7 (MSB)		R	C5		1
Bit 6	Device ID 6		R			1
Bit 5	Device ID 5		R			0
Bit 4	Device ID 4		R			0
Bit 3	Device ID 3		R			0
Bit 2	Device ID 2		R			1
Bit 1	Device ID 1		R			0
Bit 0	Device ID 0		R			1

SMBus Table: Byte Count Register

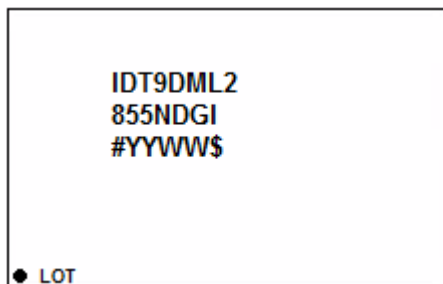
Byte 7	Name	Control Function	Type	0	1	Default
Bit 7	Reserved					0
Bit 6	Reserved					0
Bit 5	Reserved					0
Bit 4	BC4	Writing to this register configures how many bytes will be read back.	RW	Default value is 8 hex, so 9 bytes (0 to 8) will be read back by default.		0
Bit 3	BC3		RW			1
Bit 2	BC2		RW			0
Bit 1	BC1		RW			0
Bit 0	BC0		RW			0

Package Outline Drawings

The package outline drawings are appended at the end of this document and are accessible from the link below. The package information is the most current data available.

www.idt.com/us/en/document/psc/48-vfqfpn-package-outline-drawing-60-x-60-x-090-mm-body-epad-42-x-42-mm-040mm-pitch-ndg48p2

Marking Diagram



- Lines 1 and 2: part number
- Line 3:
 - “#” denotes the stepping sequence number.
 - “YYWW” denotes the last two digits of the year and work-week the part was assembled.
 - “\$” denotes mark code.
- “LOT” denotes lot number.

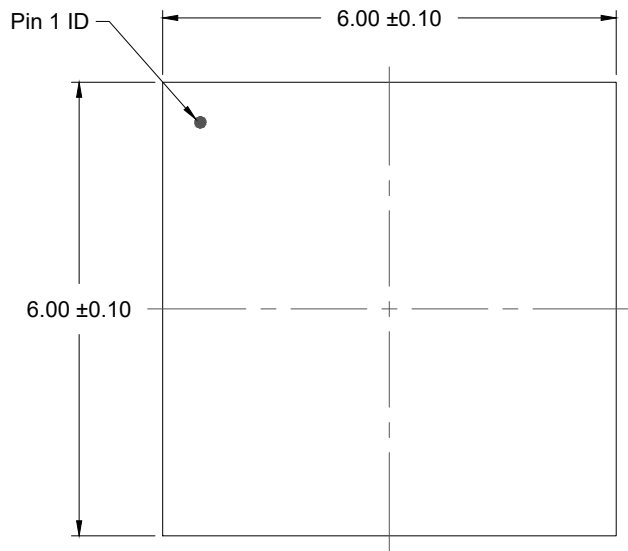
Ordering Information

Orderable Part Number	Differential Output Impedance (Ω)	Package	Carrier Type	Temperature
9DML2855NDGI	85	6 × 6 mm, 0.4mm pitch 48-VFQFPN	Trays	-40° to +85°C
9DML2855NDGI8	85	6 × 6 mm, 0.4mm pitch 48-VFQFPN	Reel	-40° to +85°C

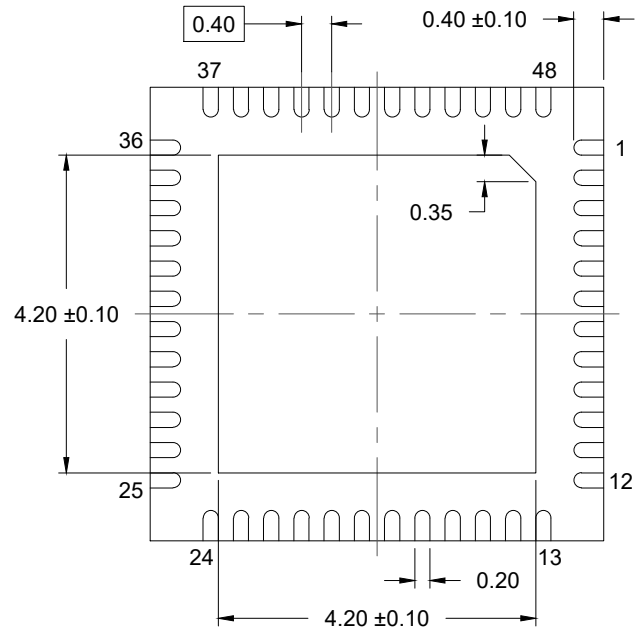
“G” designates PB-free configuration, RoHS compliant.

Revision History

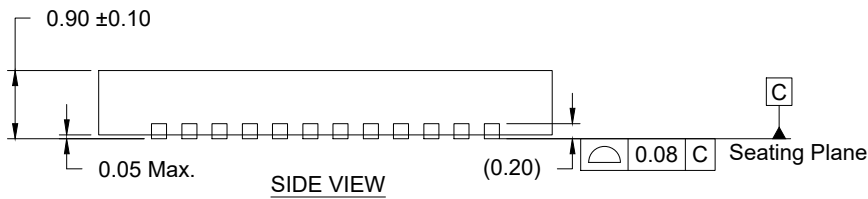
Revision Date	Description of Change
March 16, 2020	<ul style="list-style-type: none"> ▪ Updated CLK Stabilization (tSTAB) typical value. ▪ Added DIF_IN Clock Input Parameters table. ▪ Updated conditions in the Skew and Differential Parameters table.
January 14, 2020	<ul style="list-style-type: none"> ▪ Updated electrical tables with characterization data. ▪ Fill-in TBD in test loads table and Device ID register. ▪ Move to final.
July 29, 2019	Initial release.



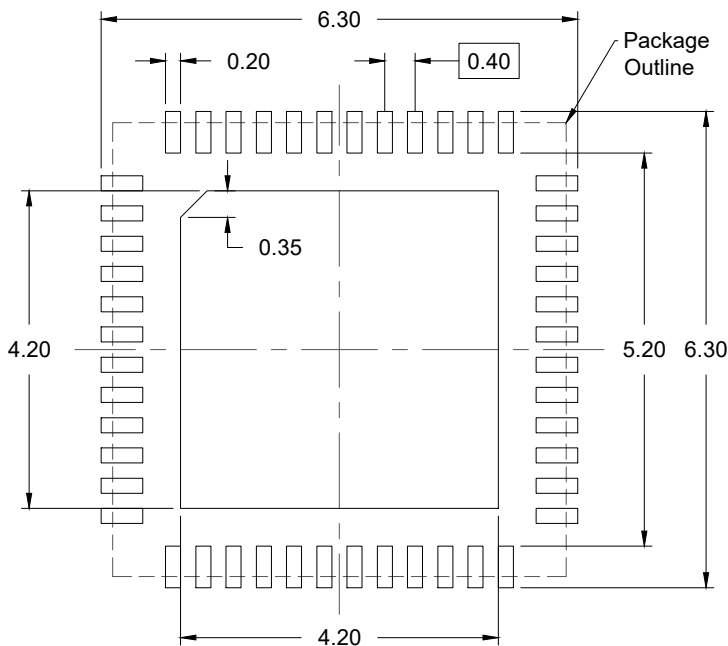
TOP VIEW



BOTTOM VIEW



SIDE VIEW



RECOMMENDED LAND PATTERN
(PCB Top View, NSMD Design)

NOTES:

1. JEDEC compatible.
2. All dimensions are in mm and angles are in degrees.
3. Use ± 0.05 mm for the non-toleranced dimensions.
4. Numbers in () are for references only.

IMPORTANT NOTICE AND DISCLAIMER

RENESAS ELECTRONICS CORPORATION AND ITS SUBSIDIARIES (“RENESAS”) PROVIDES TECHNICAL SPECIFICATIONS AND RELIABILITY DATA (INCLUDING DATASHEETS), DESIGN RESOURCES (INCLUDING REFERENCE DESIGNS), APPLICATION OR OTHER DESIGN ADVICE, WEB TOOLS, SAFETY INFORMATION, AND OTHER RESOURCES “AS IS” AND WITH ALL FAULTS, AND DISCLAIMS ALL WARRANTIES, EXPRESS OR IMPLIED, INCLUDING, WITHOUT LIMITATION, ANY IMPLIED WARRANTIES OF MERCHANTABILITY, FITNESS FOR A PARTICULAR PURPOSE, OR NON-INFRINGEMENT OF THIRD-PARTY INTELLECTUAL PROPERTY RIGHTS.

These resources are intended for developers who are designing with Renesas products. You are solely responsible for (1) selecting the appropriate products for your application, (2) designing, validating, and testing your application, and (3) ensuring your application meets applicable standards, and any other safety, security, or other requirements. These resources are subject to change without notice. Renesas grants you permission to use these resources only to develop an application that uses Renesas products. Other reproduction or use of these resources is strictly prohibited. No license is granted to any other Renesas intellectual property or to any third-party intellectual property. Renesas disclaims responsibility for, and you will fully indemnify Renesas and its representatives against, any claims, damages, costs, losses, or liabilities arising from your use of these resources. Renesas' products are provided only subject to Renesas' Terms and Conditions of Sale or other applicable terms agreed to in writing. No use of any Renesas resources expands or otherwise alters any applicable warranties or warranty disclaimers for these products.

(Disclaimer Rev.1.01)

Corporate Headquarters

TOYOSU FORESIA, 3-2-24 Toyosu,
Koto-ku, Tokyo 135-0061, Japan
www.renesas.com

Trademarks

Renesas and the Renesas logo are trademarks of Renesas Electronics Corporation. All trademarks and registered trademarks are the property of their respective owners.

Contact Information

For further information on a product, technology, the most up-to-date version of a document, or your nearest sales office, please visit www.renesas.com/contact-us/.