

AT25SL128A

1.7 V Minimum, 128-Mbit SPI Serial Flash Memory with Dual I/O, Quad I/O, and QPI Support

Key Features

- Single 1.7 V - 2.0 V Supply
- 128 Mbit (16 x 8 Mbit physical block) Flash Memory
- Serial Peripheral Interface (SPI) and Quad Peripheral Interface (QPI) Compatible
 - Supports SPI Modes 0 and 3
 - Supports Dual Output Read and Quad I/O Program and Read
 - Supports QPI Program and Read
 - 133 MHz Maximum Operating Frequency
 - Clock-to-Output (t_{V1}) of 6 ns
 - Up to 65 Mbytes/s continuous data transfer rate
- Full Chip Erase
- Flexible, Optimized Erase Architecture for Code and Data Storage Applications
 - 0.6 ms Typical Page Program (256 bytes) Time
 - 60 ms Typical 4 kB Block Erase Time
 - 200 ms Typical 32 kB Block Erase Time
 - 350 ms Typical 64 kB Block Erase Time
- Hardware Controlled Locking of Status Registers via \overline{WP} Pin
- 4-kbit secured One-Time Programmable Security Register
- Hardware Write Protection
- Serial Flash Discoverable Parameters (SFDP) Register
- Flexible Programming
 - Byte/Page Program (1 to 256 bytes)
 - Dual or Quad Input Byte/Page Program (1 to 256 bytes)
- Erase/Program Suspend and Resume
- JEDEC Standard Manufacturer and Device ID Read Methodology
- Low Power Dissipation
 - 2 μ A Deep Power-Down Current (Typical)
 - 10 μ A Standby current (Typical)
 - 5 mA Active Read Current (Typical)
- Endurance: 100,000 program/erase cycles (4-kbytes, 32-kbytes or 64-kbytes blocks)
- Data Retention: 20 Years
- Industrial Temperature Range: -40 °C to +85 °C
- Industry Standard Green (Pb/Halide-free/RoHS Compliant) Package Options
 - 8-pad DFN (6 x 5 x 0.6 mm)
 - 8-lead SOIC (208-mil)
 - 21-ball WLCSP
 - 21-ball low-profile WLCSP

Contents

Key Features	1
Figures	4
Tables	6
1. Introduction	7
2. Pinouts and Pin Descriptions	8
3. Block Diagram	11
4. Memory Array	12
5. Device Operation	13
5.1 Standard SPI Operation	13
5.2 Dual SPI Operation	13
5.3 Quad SPI Operation	13
5.4 QPI Operation	13
6. Write Protection	14
6.1 Write Protect Features	14
7. Status Register	15
7.1 Busy	15
7.2 Write Enable Latch (WEL).....	15
7.3 Block Protect Bits (BP2, BP1, BP0)	15
7.4 Top/Bottom Block Protect (TB)	16
7.5 Sector/Block Protect (SEC).....	16
7.6 Status Register Protect (SRP1, SRP0).....	16
7.7 Quad Enable (QE).....	16
7.8 Complement Protect (CMP).....	16
7.9 Erase/Program Suspend Status (SUS).....	17
8. Commands	19
8.1 Command Set Tables	19
8.2 Write Enable (06h)	23
8.3 Write Enable for Volatile Status Register (50h).....	24
8.4 Write Disable (04h)	24
8.5 Read Status Register-1 (05h) and Read Status Register-2 (35h).....	25
8.6 Write Status Register (01h).....	26
8.7 Write Status Register-2 (31h).....	27
8.8 Read Data (03h).....	28
8.9 Fast Read (0Bh).....	28
8.10 Fast Read in QPI Mode.....	29
8.11 Fast Read Dual Output (3Bh).....	30
8.12 Fast Read Quad Output (6Bh)	31
8.13 Fast Read Dual I/O (BBh)	32
8.14 Fast Read Quad I/O (EBh).....	34
8.15 Page Program (02h).....	37
8.16 Quad Page Program (33h).....	39
8.17 4-kB Block Erase (20h)	40
8.18 32-kB Block Erase (52h)	41
8.19 64-kB Block Erase (D8h).....	42
8.20 Chip Erase (C7h / 60h)	43
8.21 Erase / Program Suspend (75h)	44
8.22 Erase / Program Resume (7Ah).....	45
8.23 Deep Power-Down (B9h)	46
8.24 Release Deep Power-Down / Device ID (ABh).....	47
8.25 Read Manufacturer / Device ID Dual I/O (90h)	49
8.26 Read Manufacturer / Device ID Dual I/O (92h).....	51
8.27 Read Manufacturer / Device ID Quad I/O (94h).....	52

8.28 JEDEC ID (9Fh)	53
8.29 Enable QPI (38h)	54
8.30 Disable QPI (FFh)	54
8.31 Word Read Quad I/O (E7h).....	55
8.32 Set Burst with Wrap (77h).....	57
8.33 Burst Read with Wrap (0Ch)	58
8.34 Set Read Parameters (C0h).....	59
8.35 Enable Reset (66h) and Reset (99h)	60
8.36 Read Serial Flash Discovery Parameter (5Ah)	61
8.37 Enter Secured OTP (B1h).....	68
8.38 Exit Secured OTP (C1h)	68
8.39 Read Security Register (2Bh)	69
8.40 Write Security Register (2Fh).....	70
8.41 4-kbit Secured OTP.....	70
9. Electrical Characteristics	71
9.1 Operating Ranges	71
9.2 Endurance and Data Retention.....	71
9.3 Power-Up Timing and Write Inhibit Threshold	72
9.4 DC Electrical Characteristics.....	73
9.5 AC Measurement Conditions	74
9.6 AC Electrical Characteristics.....	75
9.7 Input Timing	76
9.8 Output Timing.....	76
9.9 Hold Timing	77
10. Ordering Information	78
11. Packaging Information	79
11.1 UDFN	79
11.2 8-Lead Wide Body EIAJ SOIC	80
11.3 U (21-WLCSP)	81
11.4 UI (21-WLCSP)	82
12. Revision History	83
13. Errata	84

Figures

Figure 1. 8-UDFN (Top View)	8
Figure 2. 21-WLCSP (Bottom View)	8
Figure 3. 8-WSOIC (Top View)	8
Figure 4. AT25SL128A Block Diagram	11
Figure 5. Memory Architecture Diagram	12
Figure 6. Write Enable Command for SPI Mode (left) and QPI Mode (right)	23
Figure 7. Write Enable for Volatile Status Register Command for SPI Mode (left) and QPI Mode (right)	24
Figure 8. Write Disable Command for SPI Mode (left) and QPI Mode (right)	24
Figure 9. Read Status Register Command (SPI Mode)	25
Figure 10. Read Status Register Command (QPI Mode)	25
Figure 11. Write Status Register Command (SPI Mode)	26
Figure 12. Write Status Register Command (QPI Mode)	26
Figure 13. Write Status Register-2 Command (SPI Mode)	27
Figure 14. Write Status Register-2 Command (QPI Mode)	27
Figure 15. Read Data Command	28
Figure 16. Fast Read Command (SPI Mode)	28
Figure 17. Fast Read command (QPI Mode, 80MHz)	29
Figure 18. Fast Read command (QPI Mode, 104MHz)	29
Figure 19. Fast Read Dual Output command (SPI Mode)	30
Figure 20. Fast Read Quad Output command (SPI Mode)	31
Figure 21. Fast Read Dual I/O Command (initial command or previous M7-0 ≠ Axh)	32
Figure 22. Fast Read Dual I/O Command (previous M7-0 = Axh)	33
Figure 23. Fast Read Quad I/O Command (Initial command or previous M7-0 ≠ Axh, SPI mode)	34
Figure 24. Fast Read Quad I/O Command (previous M7-0 = Axh, SPI mode)	34
Figure 25. Fast Read Quad I/O Command (Initial command or previous M7-0 ≠ Axh, QPI mode, 80 MHz)	35
Figure 26. Fast Read Quad I/O Command (Initial command or previous M7-0 ≠ Axh, QPI mode, 133 MHz)	36
Figure 27. Page Program Command (SPI Mode)	37
Figure 28. Page Program Command (QPI Mode)	38
Figure 29. Quad Page Program Command (SPI mode)	39
Figure 30. Quad Page Program Command (QPI mode)	40
Figure 31. Block Erase Command (SPI Mode)	40
Figure 32. Block Erase Command (QPI Mode)	40
Figure 33. 32-kB Block Erase Command (SPI Mode)	41
Figure 34. 32-kB Block Erase Command (QPI Mode)	41
Figure 35. 64-kB Block Erase Command (SPI Mode)	42
Figure 36. 64-kB Block Erase Command (QPI Mode)	42
Figure 37. Chip Erase Command for SPI Mode (left) and QPI Mode (right)	43
Figure 38. Erase Suspend Command (SPI Mode left, QPI Mode right)	44
Figure 39. Erase / Program Resume command (SPI Mode)	45
Figure 40. Erase / Program Resume command (QPI Mode)	45
Figure 41. Deep Power-Down Command (SPI Mode)	46
Figure 42. Deep Power-Down Command (QPI Mode)	46
Figure 43. Release Power-Down Command (SPI Mode)	47
Figure 44. Release Power-Down Command (QPI Mode)	47
Figure 45. Release Power-Down / Device ID Command (SPI Mode)	48
Figure 46. Read Manufacturer/ Device ID command (SPI Mode)	49
Figure 47. Read Manufacturer/ Device ID command (QPI Mode)	50
Figure 48. Read Dual Manufacturer/ Device ID Dual I/O command (SPI Mode)	51

Figure 49. Read Quad Manufacturer/ Device ID Quad I/O command (SPI Mode)	52
Figure 50. Read JEDEC ID command (SPI Mode)	53
Figure 51. Read JEDEC ID command (QPI Mode)	53
Figure 52. Enable QPI command (SPI Mode only)	54
Figure 53. Disable QPI command for QPI mode	54
Figure 54. Word Read Quad I/O command (Initial command or previous set M7-0 ≠ Axh, SPI Mode)	55
Figure 55. Word Read Quad I/O command (Previous command set M7-0 = Axh, SPI Mode)	56
Figure 56. Set Burst with Wrap Command Sequence	57
Figure 57. Burst Read with Wrap command (QPI Mode, 80MHz)	58
Figure 58. Burst Read with Wrap command (QPI Mode, 133 MHz)	58
Figure 59. Set Read Parameters command (QPI Mode)	59
Figure 60. Enable Reset and Reset Command (SPI Mode)	60
Figure 61. Enable Reset and Reset Command (QPI Mode)	60
Figure 62. Read SFDP Register Command	61
Figure 63. Enter Secured OTP command for SPI Mode (left) and QPI Mode (right)	68
Figure 64. Exit Secured OTP command for SPI Mode (left) and QPI Mode (right)	68
Figure 65. Read Security Register command (SPI Mode)	69
Figure 66. Read Security Register command (QPI Mode)	69
Figure 67. Write Security Register command for SPI Mode (left) and QPI Mode (right)	70
Figure 68. Power-Up Timing and Voltage Levels	72
Figure 69. AC Measurement I/O Waveform	74
Figure 70. Input Timing	76
Figure 71. Output Timing	76
Figure 72. <u>HOLD</u> Timing	77

Tables

Table 1. Pin Descriptions	9
Table 2. Status Register 1	15
Table 3. Register 2	15
Table 4. Encoding of SRP[1:0] Bits and Write Protection	16
Table 5. Status Register Memory Protection (CMP = 0)	17
Table 6. Status Register Memory Protection (CMP = 1)	18
Table 7. Manufacturer and Device Identification	19
Table 8. Command Set Table 1 (SPI Commands)	19
Table 9. Command Set Table 2 (Dual SPI Commands)	20
Table 10. Command Set Table 3 (Quad SPI Commands)	21
Table 11. Command Set Table 4 (QPI Commands)	22
Table 12. Encoding of W[6:4] Bits	57
Table 13. Encoding of P[5:4] Bits	59
Table 14. Encoding of P[1:0] Bits	59
Table 15. SFDP Signature and Headers	62
Table 16. SFDP Parameters Table 1	63
Table 17. SFDP Parameters Table 2	67
Table 18. Security Register Bit Assignments	69
Table 19. Addressing of Secured OTP Area	70
Table 20. Electrical Characteristics	71
Table 21. Operating Ranges	71
Table 22. Endurance and Data Retention	71
Table 23. Power-up and Write Inhibit Threshold	72
Table 24. DC Electrical Characteristics	73
Table 25. AC Measurement Conditions	74
Table 26. AC Electrical Characteristics	75

1. Introduction

The AT25SL128A is a serial interface Flash memory device designed for use in a wide variety of high-volume consumer based applications in which program code is shadowed from Flash memory into embedded or external RAM for execution. The flexible erase architecture of the AT25SL128A is ideal for data storage as well, eliminating the need for additional data storage devices.

The erase block sizes of the AT25SL128A have been optimized to meet the needs of today's code and data storage applications. By optimizing the size of the erase blocks, the memory space can be used much more efficiently. Because certain code modules and data storage segments must reside by themselves in their own erase regions, the wasted and unused memory space that occurs with large block erase Flash memory devices can be greatly reduced. This increased memory space efficiency allows additional code routines and data storage segments to be added while still maintaining the same overall device density.

SPI clock frequencies of up to 133 MHz are supported, allowing equivalent clock rates of 266 MHz for Dual Output and 532 MHz for Quad Output when using the QPI and Fast Read Dual/Quad I/O commands. The AT25SL128A array is organized into 65,536 programmable pages of 256-bytes each. Up to 256 bytes can be programmed at a time using the Page Program commands. Pages can be erased in block increments of 4-kB, 32-kB, or 64-kB, or the entire chip.

The devices operate on a single 1.7 V to 2.0 V power supply with current consumption as low as 5 mA active and 2 μ A for Deep Power-Down. All devices offered in space-saving packages. The device supports JEDEC standard manufacturer and device identification with a 4-kbit secured OTP.

The physical block size for this device is 8 Mbit.

2. Pinouts and Pin Descriptions

The following figures show the available package types.

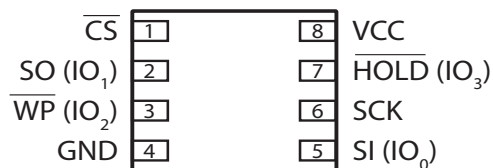


Figure 1. 8-UDFN (Top View)

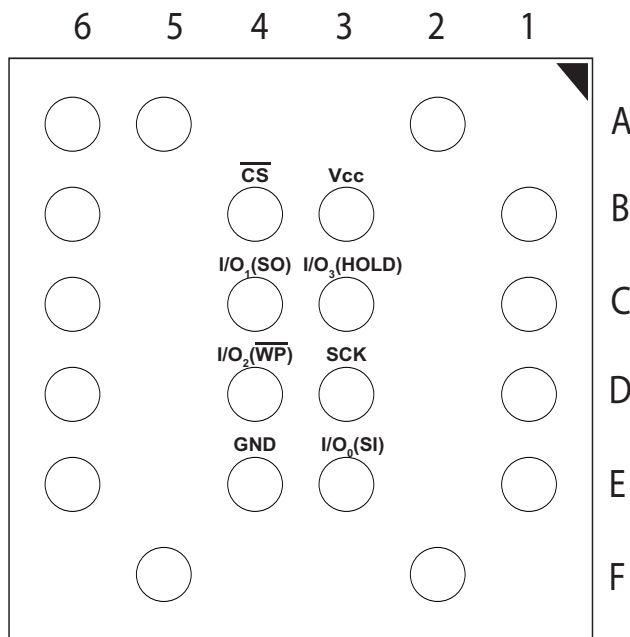


Figure 2. 21-WLCSP (Bottom View)

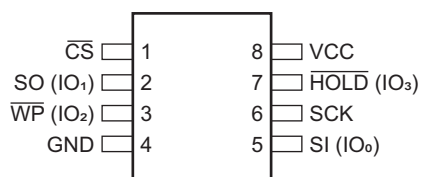


Figure 3. 8-WSOIC (Top View)

During all operations, V_{CC} must be held stable and within the specified valid range, V_{CC} (min) to V_{CC} (max).

All of the input and output signals must be held high or low (according to voltages of V_{IH} , V_{OH} , V_{IL} , or V_{OL}).

Table 1. Pin Descriptions

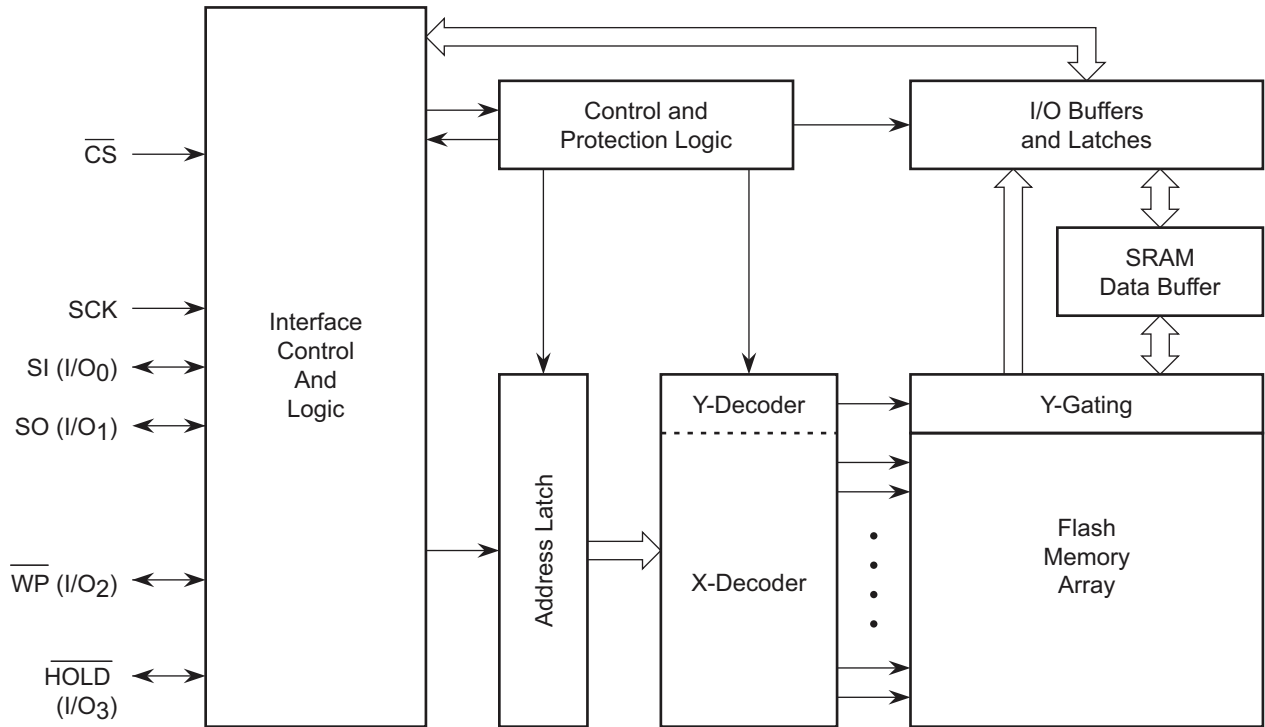
Symbol	Name and Function	Asserted State	Type
$\overline{\text{CS}}$	<p>CHIP SELECT</p> <p>When this input signal is high, the device is deselected and serial data output pins are at high impedance. Unless an internal program, erase, or write status register cycle is in progress, the device is in the Standby Power Mode (this is not the Deep Power-Down mode). Driving Chip Select ($\overline{\text{CS}}$) low enables the device, placing it in the active power mode. After power-up, a falling edge on Chip Select ($\overline{\text{CS}}$) is required before issuing any command.</p>	Low	Input
SCK	<p>SERIAL CLOCK</p> <p>This input signal provides the timing for the serial interface. Commands, addresses, or data present at serial data input are latched on the rising edge of Serial Clock (SCK). Data are shifted out on the falling edge of the Serial Clock (SCK).</p>	-	Input
SI (I/O ₀)	<p>SERIAL INPUT</p> <p>The SI pin is used to shift data into the device. The SI pin is used for all data input, including command and address sequences. Data on the SI pin is always latched in on the rising edge of SCK.</p> <p>With the Dual-Output and Quad-Output Read commands, the SI Pin becomes an output pin (I/O₀) in conjunction with other pins to allow two or four bits of data on I/O₃₋₀ to be clocked in on every falling edge of SCK</p> <p>To maintain consistency with the SPI nomenclature, the SI (I/O₀) pin is referenced as the SI pin unless specifically addressing the Dual-I/O and Quad-I/O modes, in which case it is referenced as I/O₀.</p> <p>Data present on the SI pin is ignored whenever the device is deselected ($\overline{\text{CS}}$ is deasserted).</p>	-	Input/Output
SO (I/O ₁)	<p>SERIAL OUTPUT</p> <p>The SO pin is used to shift data out from the device. Data on the SO pin is always clocked out on the falling edge of SCK.</p> <p>With the Dual-Output Read commands, the SO Pin remains an output pin (I/O₀) in conjunction with other pins to allow two bits of data on (I/O₁₋₀) to be clocked in on every falling edge of SCK</p> <p>To maintain consistency with the SPI nomenclature, the SO (I/O₁) pin is referenced as the SO pin unless specifically addressing the Dual-I/O modes, in which case it is referenced as I/O₁. The SO pin is in a high-impedance state whenever the device is deselected ($\overline{\text{CS}}$ is deasserted).</p>	-	Input/Output
$\overline{\text{WP}}$ (I/O ₂)	<p>WRITE PROTECT</p> <p>The Write Protect ($\overline{\text{WP}}$) pin can be used to protect the Status Register against data modification. Used with the Status Register's Block Protect (SEC, TB, BP2, BP1, and BP0) bits and Status Register Protect (SRP) bits, a portion or the entire memory array can be hardware protected. The $\overline{\text{WP}}$ pin is active low. When the QE bit of Status Register-2 is set for Quad I/O, the $\overline{\text{WP}}$ pin (Hardware Write Protect) function is not available because this pin is used for IO₂. The $\overline{\text{WP}}$ pin does not have an internal pull-up; thus, it must be either driven or, if not used, pulled up with an external resistor to V_{CC}.</p>	-	Input/Output

Table 1. Pin Descriptions (Continued)

Symbol	Name and Function	Asserted State	Type
$\overline{\text{HOLD}}$ (I/O ₃)	<p>HOLD</p> <p>The $\overline{\text{HOLD}}$ pin is used to temporarily pause serial communication without deselecting or resetting the device. While the $\overline{\text{HOLD}}$ pin is asserted, transitions on the SCK pin and data on the SI pin are ignored, and the SO pin is placed in a high-impedance state.</p> <p>The $\overline{\text{CS}}$ pin must be asserted, and the SCK pin must be in the low state in order for a Hold condition to start. A Hold condition pauses serial communication only; it does not have an effect on internally self-timed operations such as a program or erase cycle.</p> <p>With the Quad-Input Byte/Page Program command, the $\overline{\text{HOLD}}$ pin becomes an input pin (I/O₃) and, with other pins, allows four bits (on I/O₃₋₀) of data to be clocked in on every rising edge of SCK. With the Quad-Output Read commands, the $\overline{\text{HOLD}}$ Pin becomes an output pin (I/O₃) in conjunction with other pins to allow four bits of data on (I/O₃₋₀) to be clocked in on every falling edge of SCK. To maintain consistency with SPI nomenclature, the $\overline{\text{HOLD}}$ (I/O₃) pin is referenced as the $\overline{\text{HOLD}}$ pin unless specifically addressing the Quad-I/O modes, in which case it is referenced as I/O₃.</p> <p>The $\overline{\text{HOLD}}$ pin does not have an internal pull-up; thus, it must be either driven or, if not used, pulled up with an external resistor to V_{CC}. See Figure 1 and Figure 2 for the pin configuration of Quad I/O and QPI operation.</p>	-	Input/Output
V _{CC}	<p>DEVICE POWER SUPPLY</p> <p>V_{CC} is the supply voltage. It is the single voltage used for all device functions, including read, program, and erase. The V_{CC} pin is used to supply the source voltage to the device. Operations at invalid V_{CC} voltages can produce spurious results; do not attempt this.</p>	-	Power
GND	<p>GROUND</p> <p>V_{SS} is the reference for the V_{CC} supply voltage. The ground reference for the power supply. Connect GND to the system ground.</p>	-	Power

3. Block Diagram

Figure 4 shows a block diagram of the AT25SL128A serial Flash.



Note: I/O₃₋₀ pin naming convention is used for Dual-I/O and Quad-I/O commands.

Figure 4. AT25SL128A Block Diagram

4. Memory Array

To provide the greatest flexibility, the memory array of the AT25SL128A can be erased in four levels of granularity, including a full chip erase. The size of the erase blocks is optimized for both code and data storage applications, allowing both code and data segments to reside in their own erase regions. The Memory Architecture Diagram shows the components of each erase level.

Block Erase Detail			Page Program Detail			
64KB	32KB	4KB	Block Address Range	1-256 Byte	Page Address Range	
Block 255	Block 511	4KB	FFFFFFh – FFF000h	256 Bytes	FFFFFFh – FFFF00h	
		4KB	FFEFFh – FFE000h	256 Bytes	FFFEFFh – FFFE00h	
		4KB	FFDFFFh – FFD000h	256 Bytes	FFFDFFh – FFFD00h	
		4KB	FFCFFFh – FFC000h	256 Bytes	FFFCFFh – FFFC00h	
		4KB	FFBFFFh – FFB000h	256 Bytes	FFBFFFh – FFFB00h	
		4KB	FFAFFFh – FFA000h	256 Bytes	FFFAFFh – FFFA00h	
		4KB	FF9FFFh – FF9000h	256 Bytes	FF9FFFh – FFF900h	
		4KB	FF8FFFh – FF8000h	256 Bytes	FF8FFFh – FFF800h	
		4KB	FF7FFFh – FF7000h	256 Bytes	FF7FFFh – FFF700h	
		4KB	FF6FFFh – FF6000h	256 Bytes	FF6FFFh – FFF600h	
	Block 510	4KB	FF5FFFh – FF5000h	256 Bytes	FF5FFFh – FFF500h	
		4KB	FF4FFFh – FF4000h	256 Bytes	FF4FFFh – FFF400h	
		4KB	FF3FFFh – FF3000h	256 Bytes	FF3FFFh – FFF300h	
		4KB	FF2FFFh – FF2000h	256 Bytes	FF2FFFh – FFF200h	
		4KB	FF1FFFh – FF1000h	256 Bytes	FF1FFFh – FFF100h	
		4KB	FF0FFFh – FF0000h	256 Bytes	FF0FFFh – FFF000h	
		4KB	FEFFFFh – FEF000h	256 Bytes	FEFFFFh – FFEF00h	
		4KB	FEDEFFh – FED000h	256 Bytes	FEDEFFh – FFED00h	
		4KB	FECFFFh – FEC000h	256 Bytes	FECEFFh – FFEC00h	
		4KB	FEBFFFh – FEB000h	256 Bytes	FEBFFFh – FFEB00h	
Block 254	Block 509	4KB	FEAFFFh – FEA000h	256 Bytes	FEAFFFh – FFEA00h	
		4KB	FE9FFFh – FE9000h	256 Bytes	FE9FFFh – FFE900h	
		4KB	FE8FFFh – FE8000h	256 Bytes	FE8FFFh – FFE800h	
		4KB	FE7FFFh – FE7000h	:	:	
		4KB	FE6FFFh – FE6000h	256 Bytes	0017FFh – 001700h	
		4KB	FE5FFFh – FE5000h	256 Bytes	0016FFh – 001600h	
		4KB	FE4FFFh – FE4000h	256 Bytes	0015FFh – 001500h	
		4KB	FE3FFFh – FE3000h	256 Bytes	0014FFh – 001400h	
		4KB	FE2FFFh – FE2000h	256 Bytes	0013FFh – 001300h	
		4KB	FE1FFFh – FE1000h	256 Bytes	0012FFh – 001200h	
Block 0	Block 1	4KB	FE0FFFh – FE0000h	256 Bytes	0011FFh – 001100h	
		4KB	00FFFFh – 00F000h	256 Bytes	0010FFh – 001000h	
		4KB	00EFFFh – 00E000h	256 Bytes	000FFFh – 000F00h	
		4KB	00DFFFh – 00D000h	256 Bytes	000EFFh – 000E00h	
		4KB	00CFFFh – 00C000h	256 Bytes	000DFFh – 000D00h	
		4KB	00BFFFh – 00B000h	256 Bytes	000CFFh – 000C00h	
		4KB	00AFFFh – 00A000h	256 Bytes	000BFFh – 000B00h	
		4KB	009FFFh – 009000h	256 Bytes	000AFFh – 000A00h	
		4KB	008FFFh – 008000h	256 Bytes	0009FFh – 000900h	
		4KB	007FFFh – 007000h	256 Bytes	0008FFh – 000800h	
	Block 0	Block 0	4KB	006FFFh – 006000h	256 Bytes	0007FFh – 000700h
			4KB	005FFFh – 005000h	256 Bytes	0006FFh – 000600h
			4KB	004FFFh – 004000h	256 Bytes	0005FFh – 000500h
			4KB	003FFFh – 003000h	256 Bytes	0004FFh – 000400h
			4KB	002FFFh – 002000h	256 Bytes	0003FFh – 000300h
			4KB	001FFFh – 001000h	256 Bytes	0002FFh – 000200h
			4KB	000FFFh – 000000h	256 Bytes	0001FFh – 000100h
			4KB		256 Bytes	0000FFh – 000000h

Figure 5. Memory Architecture Diagram

5. Device Operation

5.1 Standard SPI Operation

The AT25SL128A features a serial peripheral interface on four signals: Serial Clock (SCK), Chip Select ($\overline{\text{CS}}$), Serial Data Input (SI), and Serial Data Output (SO). Standard SPI commands use the SI input pin to serially write commands, addresses or data to the device on the rising edge of SCK. The SO output pin is used to read data or status from the device on the falling edge of SCK.

SPI bus operation Modes 0 (0, 0) and 3 (1, 1) are supported. The primary difference between Mode 0 and Mode 3 is the normal state of the SCK signal when the SPI bus master is in standby and data is not being transferred to the Serial Flash. For Mode 0 the SCK signal is normally low on the falling and rising edges of $\overline{\text{CS}}$. For Mode 3, the SCK signal is normally high on the falling and rising edges of $\overline{\text{CS}}$.

5.2 Dual SPI Operation

The AT25SL128A supports Dual SPI operation. This command allows data to be transferred to, or from, the device at two times the rate of the standard SPI. The Dual Read command is ideal for quickly downloading code to RAM upon power-up (code-shadowing) or for executing non-speed-critical code directly from the SPI bus (XIP). When using Dual SPI commands the SI and SO pins become bidirectional I/O pins; IO₀ and IO₁.

5.3 Quad SPI Operation

The AT25SL128A supports Quad SPI operation. This command allows data to be transferred to, or from, the device at four times the rate of the standard SPI. The Quad Read command offers a significant improvement in continuous and random access transfer rates allowing fast code-shadowing to RAM or execution directly from the SPI bus (XIP). When using Quad SPI command the SI and SO pins become bidirectional IO₀ and IO₁, and the $\overline{\text{WP}}$ and $\overline{\text{HOLD}}$ pins become IO₂ and IO₃ respectively. Quad SPI commands require the non-volatile Quad Enable bit (QE) in Status Register-2 to be set.

5.4 QPI Operation

The AT25SL128A supports Quad Peripheral Interface (QPI) operation when the device is switched from Standard/ Dual/ Quad SPI mode to QPI mode using the Enable QPI (38h) command. To enable QPI mode, the non-volatile Quad Enable bit (QE) in Status Register-2 is required to be set. When using QPI commands, the SI and SO pins become bidirectional IO₀ and IO₁, and the $\overline{\text{WP}}$ and $\overline{\text{HOLD}}$ pins become IO₂ and IO₃, respectively.

The typical SPI protocol requires that the byte-long command code is shifted into the device only through the SI pin in eight serial clocks. The QPI mode uses all four IO pins to input the command code; thus, only two serial clocks are required. This can significantly reduce the SPI command overhead and improve system performance in an XIP environment. Standard / Dual / Quad SPI mode and QPI mode are exclusive. Only one mode can be active at any given time, the Enable QPI and Disable QPI/ Disable QPI 2 commands are used to switch between these two modes. Upon power-up, or after software reset using Reset (99h) command, the default state of the device is Standard / Dual / Quad SPI mode.

6. Write Protection

To protect inadvertent writes by noise, several means of protection are applied to the Flash memory.

6.1 Write Protect Features

- During power-on reset, all operations are disabled, and no command is recognized.
- An internal time delay of t_{PUW} can protect the data against inadvertent changes while the power supply is outside the operating specification. This includes the Write Enable, Page program, Block Erase, Chip Erase, Write Security Register, and Write Status Register commands.
- For data changes, the Write Enable command must be issued to set the Write Enable Latch (WEL) bit to 0. Power-up, completion of the Write Disable, Write Status Register, Page Program, Block Erase, and Chip Erase commands are must meet this condition.
- Setting the Status Register protect (SRP) and Block protect (SEC, TB, BP2, BP1, and BP0) bits, a portion of memory can be configured as read only; this is called software protection.
- The Write Protect (\overline{WP}) pin can change the Status Register under hardware control.
- The Deep Power-Down mode provides extra protection from unexpected data changes because all commands are ignored in this mode except for the Release Deep Power-Down command.

7. Status Register

The Read Status Register command can be used to provide status on the availability of the Flash memory array, if the device is write enabled or disabled the state of write protection and the Quad SPI setting. The Write Status Register command can be used to configure the device's write protection features and the Quad SPI setting. Write access to the Status Register is controlled in some cases by the \overline{WP} pin.

Table 2. Status Register 1

S7	S6	S5	S4	S3	S2	S1	S0
SRP	SEC	TB	BP2	BP1	BP0	WEL	BUSY
Status Register Protect 0 (Non-Volatile)	Sector Protect (Non-Volatile)	Top/Bottom Write Protect (Non-Volatile)	Block Protect (Non-Volatile)	Block Protect (Non-Volatile)	Block Protect (Non-Volatile)	Write Enable Latch	Erase or Write in Progress

Table 3. Register 2

S15	S14	S13	S12	S11	S10	S9	S8
SUS	CMP	(R)	(R)	(R)	(R)	QE	SRP1
Suspend Status	Complement Protect (Non-Volatile)	Reserved	Reserved	Reserved	Reserved	Quad Enable (Non-Volatile)	Register Protect 1 (Non-Volatile)

7.1 Busy

BUSY is a read-only bit in the status register (S0) that is set to 1 when the device is executing a Page Program, Erase, Write Status Register, or Write Security Register command. During this time, the device ignores further commands, except for the Read Status Register and Erase / Program Suspend command (see t_W , t_{PP} , t_{SE} , t_{BE1} , t_{BE2} , and t_{CE} in [Section 9.6, AC Electrical Characteristics](#)). When the Program, Erase, Write Status Register, or Write Security Register command has completed, the BUSY bit is cleared to a 0 state, indicating the device is ready for further commands.

Other exceptions are the Enable Reset (66h) and Reset (99h) commands. Even if the BUSY bit is active (1), the device accepts and executes a RESET command from the host system. The host system must wait for the BUSY bit to become inactive (0) before sending the RESET command. If the device receives a RESET command during an ERASE or in Program mode, memory corruption can occur. See [Section 8.35, Enable Reset \(66h\) and Reset \(99h\)](#) for more information.

7.2 Write Enable Latch (WEL)

Write Enable Latch (WEL) is a read-only bit in the status register (S1) that is set to a 1 after executing a Write Enable command. It is cleared to 0 when device is write-disabled. A write disable state occurs upon power-up or after any of the following commands: Write Disable, Page Program, Erase, and Write Status Register.

7.3 Block Protect Bits (BP2, BP1, BP0)

The Block Protect Bits (BP2, BP1, BP0) are non-volatile read/write bits in the status register (S4, S3, and S2) that provide write protection control and status. Block protect bits can be set using the Write Status Register Command (see t_W in [Section 9.6, AC Electrical Characteristics](#)). All, none, or a portion of the memory array can be protected from Program and Erase commands (see [Table 5](#) and [Table 6](#)). The factory default setting for the block protection bits is 0, none of the array protected.

7.4 Top/Bottom Block Protect (TB)

The Top/Bottom bit (TB) is a non-volatile bit in the status register (S5) that specifies if the Block Protect Bits (BP2, BP1, BP0) protect from the top (TB = 0) or the bottom (TB = 1) of the array, as shown in [Section 5](#) and [Section 6](#). The factory default setting is TB = 0. The TB bit can be set with the Write Status Register Command, depending on the state of the SRP0, SRP1, and WEL bits.

7.5 Sector/Block Protect (SEC)

The Sector protect bit (SEC) is a non-volatile bit in the status register (S6) that specifies if the Block Protect Bits (BP2, BP1, BP0) protect a 4-kbyte sector (SEC = 1) or 64-kbyte blocks (SEC = 0) in the top (TB = 0) or the bottom (TB = 1) of the array, as shown in [Section 5](#) and [Section 6](#). The default setting is SEC = 0.

7.6 Status Register Protect (SRP1, SRP0)

The Status Register Protect bits (SRP1 and SRP0) are non-volatile read/write bits in the status register (S8 and S7). The SRP bits control the method of write protection: software protection, hardware protection, power supply lock-down, or one-time programmable (OTP) protection.

Table 4. Encoding of SRP[1:0] Bits and Write Protection

SRP1	SRP0	WP	Status Register	Description
0	0	X	Software Protection	$\overline{\text{WP}}$ pin no control. The register can be written to after a Write Enable command, WEL = 1. [Factory Default]
0	1	0	Hardware Protected	When the $\overline{\text{WP}}$ pin is low, the Status Register is locked and can not be written to.
0	1	1	Hardware Unprotected	When the $\overline{\text{WP}}$ pin is high, the Status register is unlocked and can be written to after a Write Enable command, WEL = 1.
1	0	X	Power Supply Lock-Down	Status Register is protected and cannot be written to again until the next power-down, power-up cycle. ⁽¹⁾
1	1	X	One Time Program	Status Register is permanently protected and cannot be written to.

Note: 1. When SRP1, SRP0 = (1,0), a power down, power-up cycle changes SRP1, SRP0 to (0,0).

7.7 Quad Enable (QE)

The Quad Enable (QE) bit is a non-volatile read/write bit in the status register (S9) that allows Quad operation. When the QE bit is set to a 0 state (factory default), the $\overline{\text{WP}}$ pin and $\overline{\text{HOLD}}$ are enabled. When the QE pin is set to a 1, the Quad IO₂ and IO₃ pins are enabled. **WARNING: The QE bit must never be set to a 1 during standard SPI or Dual SPI operation if the $\overline{\text{WP}}$ or $\overline{\text{HOLD}}$ pins are tied directly to the power supply or ground.**

7.8 Complement Protect (CMP)

The Complement Protect bit (CMP) is a non-volatile read/write bit in the status register (S14). It is used in conjunction with SEC, TB, BP2, BP1, and BP0 bits to provide more flexibility for the array protection. Once CMP is set to 1, previous array protection set by SEC, TB, BP2, BP1, and BP0 is reversed. For instance, when CMP = 0, a top 4-kbyte sector can be protected while the rest of the array is not; when CMP = 1, the top 4-kbyte sector becomes unprotected while the rest of the array becomes read-only. See [Section 5](#) and [Section 6](#) for details. The default setting is CMP = 0.

7.9 Erase/Program Suspend Status (SUS)

The Suspend Status bit (SUS) is a read-only bit in the status register (S15) that is set to 1 after executing an Erase/Program Suspend (75h) command. The SUS status bit is cleared to 0 by the Erase/Program Resume (7Ah) command, as well as a power-down/power-up cycle.

Table 5. Status Register Memory Protection (CMP = 0)

Status Register					Memory Protection			
SEC	TB	BP2	BP1	BP0	Sector(s)	Addresses	Density	Portion
X	X	0	0	0	NONE	NONE	NONE	NONE
0	0	0	0	1	252 – 255	FC0000h - FFFFFFFh	256 kB	Upper 1/64
0	0	0	1	0	248 – 255	F80000h - FFFFFFFh	512 kB	Upper 1/32
0	0	0	1	1	240 – 255	F00000h - FFFFFFFh	1 MB	Upper 1/16
0	0	1	0	0	224 – 255	E00000h - FFFFFFFh	2 MB	Upper 1/8
0	0	1	0	1	192 – 255	C00000h - FFFFFFFh	4 MB	Upper 1/4
0	0	1	1	0	128 – 255	800000h - FFFFFFFh	8 MB	Upper 1/2
0	1	0	0	1	0 – 3	000000h - 03FFFFh	256 kB	Lower 1/64
0	1	0	1	0	0 – 7	000000h - 07FFFFh	512 kB	Lower 1/32
0	1	0	1	1	0 – 15	000000h - 0FFFFFFh	1 MB	Lower 1/16
0	1	1	0	0	0 – 31	000000h - 1FFFFFFh	2 MB	Lower 1/8
0	1	1	0	1	0 – 63	000000h - 3FFFFFFh	4 MB	Lower 1/4
0	1	1	1	0	0 – 127	000000h - 7FFFFFFh	8 MB	Lower 1/2
X	X	1	1	1	0 – 255	000000h - FFFFFFFh	16 MB	ALL
1	0	0	0	1	255	FFF000h - FFFFFFFh	4 kB	U – 1/4096 (4)
1	0	0	1	0	255	FFE000h - FFFFFFFh	8 kB	U – 1/2048
1	0	0	1	1	255	FFC000h - FFFFFFFh	16 kB	U – 1/1024
1	0	1	0	X	255	FF8000h - FFFFFFFh	32 kB	U – 1/512
1	1	0	0	1	0	000000h - 000FFFh	4 kB	L – 1/4096
1	1	0	1	0	0	000000h - 001FFFh	8 kB	L – 1/2048
1	1	0	1	1	0	000000h - 003FFFh	16 kB	L – 1/1024
1	1	1	0	X	0	000000h - 007FFFh	32 kB	L – 1/512

1. X = Don't care.
2. L = Lower; U = Upper.
3. If any Erase or Program command specifies a memory region that contains protected data portion, this command is ignored.
4. Note 3 does not apply to this Status Register Bit setting. See Errata 1 in [Section 13](#) for details.

Table 6. Status Register Memory Protection (CMP = 1)

Status Register					Memory Protection			
SEC	TB	BP2	BP1	BP0	Sector(s)	Addresses	Density	Portion
X	X	0	0	0	0 – 255	000000h - FFFFFFFh	16 MB	ALL
0	0	0	0	1	0 – 251	000000h – FBFFFFh	16,128 kB	Lower 63/64
0	0	0	1	0	0 and 247	000000h – F7FFFFh	15,872 kB	Lower 31/32
0	0	0	1	1	0 – 239	000000h – EFFFFFFh	15 MB	Lower 15/16
0	0	1	0	0	0 – 223	000000h – DFFFFFFh	14 MB	Lower 7/8
0	0	1	0	1	0 – 191	000000h – BFFFFFFh	12 MB	Lower 3/4
0	0	1	1	0	0 – 127	000000h – 7FFFFFFh	8 MB	Lower 1/2
0	1	0	0	1	4 – 255	040000h - FFFFFFFh	16,128 kB	Upper 63/64
0	1	0	1	0	8 and 255	080000h - FFFFFFFh	15,872 kB	Upper 31/32
0	1	0	1	1	16 – 255	100000h - FFFFFFFh	15 MB	Upper 15/16
0	1	1	0	0	32 – 255	200000h - FFFFFFFh	14 MB	Upper 7/8
0	1	1	0	1	64 – 255	400000h - FFFFFFFh	12 MB	Upper 3/4
0	1	1	1	0	128 – 255	800000h - FFFFFFFh	8 MB	Upper 1/2
X	X	1	1	1	NONE	NONE	NONE	NONE
1	0	0	0	1	0 – 255	000000h - FFEFFFh	16,380 kB	L – 4095/4096
1	0	0	1	0	0 – 255	000000h - FFDFFFh	16,376 kB	L – 2047/2048
1	0	0	1	1	0 – 255	000000h - FFBFFFh	16,368 kB	L – 1023/1024
1	0	1	0	X	0 – 255	000000h - FF7FFFh	16,352 kB	L – 511/512
1	1	0	0	1	0 – 255	001000h - FFFFFFFh	16,380 kB	U – 4095/4096 (4)
1	1	0	1	0	0 – 255	002000h - FFFFFFFh	16,376 kB	U – 2047/2048
1	1	0	1	1	0 – 255	004000h - FFFFFFFh	16,368 kB	U – 1023/1024
1	1	1	0	X	0 – 255	008000h - FFFFFFFh	16,352 kB	U – 511/512

1. X = don't care.
2. L = Lower; U = Upper.
3. If any Erase or Program command specifies a memory region that contains protected data portion, this command is ignored.
4. Note 3 does not apply to this Status Register Bit setting. See Errata 2 in [Section 13](#) for details.

8. Commands

Commands are initiated with the falling edge of Chip Select (\overline{CS}). The first byte of data clocked into the input pins (SI or IO [3:0]) provides the command code. Data on the SI input is sampled on the rising edge of clock, with most significant bit (MSB) first.

Commands are completed with the rising edge of edge \overline{CS} . Clock relative timing diagrams are included with the description of each command. All read commands can be completed after any clocked bit; however, all commands that Write, Program, or Erase must complete on a byte (\overline{CS} driven high after a full eight bits have been clocked); otherwise, the command is terminated. This feature further protects the device from inadvertent writes. Also, while the memory is being programmed or erased, or when the Status Register is being written, all commands except for Read Register are ignored until the program or erase cycle has completed.

Table 7. Manufacturer and Device Identification

		ID code	Command
Manufacturer ID	Renesas Electronics	1Fh	90h, 92h, 94h, 9Fh
Device ID	AT25SL128A	17h	90h, 92h, 94h, ABh
Memory Type ID	SPI / QPI	42h	9Fh
Capacity Type ID	128M	18h	9Fh

8.1 Command Set Tables

Table 8. Command Set Table 1 (SPI Commands)

Command Byte	0	1	2	3	4	5
Clock Number	0 - 7	8 - 15	16 - 23	24 - 31	32 - 39	40 - 47
Write Enable	06h					
Write Enable (for volatile Status registers)	50h					
Write Disable	04h					
Read Status Register 1	05h	SR7:SR0 ¹				
Read Status Register 2	35h	SR15:SR8 ²				
Write Status Register 1	01h	SR7:SR0	SR15:SR8			
Write Status Register 2	31h	SR15:SR8				
Read Data	03h	A23:A16	A15:A8	A7:A0	D7:D0	
Fast Read Data	0Bh	A23:A16	A15:A8	A7:A0	Dummy	D7:D0
Page Program	02h	A23:A16	A15:A8	A7:A0	D7:D0 ²	
Enable QPI	38h					
Block Erase (4 kB)	20h	A23:A16	A15:A8	A7:A0		
Block Erase (32 kB)	52h	A23:A16	A15:A8	A7:A0		
Block Erase (64 kB)	D8h	A23:A16	A15:A8	A7:A0		
Chip Erase	60h/C7h					
Erase/Program Suspend	75h					
Erase/Program Resume	7Ah					
Deep Power-Down	B9h					

Table 8. Command Set Table 1 (SPI Commands) (Continued)

Command Byte	0	1	2	3	4	5
Clock Number	0 - 7	8 - 15	16 - 23	24 - 31	32 - 39	40 - 47
Release from Deep Power-Down/Device ID	ABh	Dummy	Dummy	Dummy	D7:D0 ²	
Read Manufacturer ID ³	90h	00h	00h	00h or 01h	MID7:MID0	DID7:DID0
Read JEDEC ID	9Fh	MID7:MID0	D7:D0	D7:D0		
Reset Enable	66h					
Reset	99h					
Enter Secured OTP	B1h					
Exit Secured OTP	C1h					
Read Security Register	2Bh	SC7:SC0 ⁴				
Write Security Register	2Fh					
Read Serial Flash Discovery Parameters	5Ah	A23:A16	A15:A8	A7:A0	Dummy	D7:D0

1. SR = status register, The Status Register contents and Device ID repeat continuously until CS terminates the command.
2. At least one byte of data input is required for Page Program, Quad Page Program, and Program Security Register, up to 256 bytes of data input. If more than 256 bytes of data are sent to the device, the addressing wraps to the beginning of the page and overwrites previously sent data.
3. See Section 7, Manufacturer and Device Identification, for Device ID information.
4. SC = security register.

Table 9. Command Set Table 2 (Dual SPI Commands)

Command Byte	0	1	2	3	4	5
Clock Number	0 - 7	8 - 15	16 - 23	24 - 31	32 - 39	40 - 47
Fast Read Dual Output	3Bh	A23:A16	A15:A8	A7:A0	Dummy	D7:D0 ¹
Fast Read Dual I/O	BBh	A23:A8 ²	A7:A0	D7:D0.... ¹		
Read Manufacturer ID ³	92h	0000h	(00h, xxxx) or 01h, xxxx)	MID7:MID0 DID7:DID0 ¹		

1. Dual Output data: IO0 = (D6, D4, D2, D0), IO1 = (D7, D5, D3, D1)
2. Dual input address:
IO0 = A22, A20, A18, A16, A14, A12, A10, A8, A6, A4, A2, A0, M6, M4, M2, M0
IO1 = A23, A21, A19, A17, A15, A13, A11, A9, A7, A5, A3, A1, M7, M5, M3, M1
3. See Section 7, Manufacturer and Device Identification, for Device ID information.

Table 10. Command Set Table 3 (Quad SPI Commands)

Command Byte	0	1	2	3	4	5
Clock Number	0 - 7	8 - 15	16 - 23	24 - 31	32 - 39	40 - 47
Fast Read Quad Output	6Bh	A23:A16	A15:A8	A7:A0	Dummy	D7:D0 ¹
Fast Read Quad I/O	EBh	A23:A0, M7:M0 ²	(xxxx, D7:D0...) ³	D7:D0... ¹		
Quad Page Program	33h	A23:A0 (D7:D0, ...) ¹				
Read Quad Manufacturer ID ⁴	94h	00_0000h, xx or 00_00001h, xx	(xxxx, MID7:MID0) (xxxx, DID7:DID0) ⁽³⁾			
Fast Read Quad I/O	EBh	A23:A0 M7:M0 ²	(xx, D7:D0)	D7:D0 ¹		
Set Burst with Wrap	77h	xxxxxx, W6:W4 5	(xx, D7:D0)	D7:D0		

1. Quad Input/ Output Data

IO0 = (D4, D0...)
 IO1 = (D5, D1...)
 IO2 = (D6, D2...)
 IO3 = (D7, D3...)

2. Quad Input Address

IO0 = A20, A16, A12, A8, A0, M4, M0
 IO1 = A21, A17, A13, A9, A1, M5, M1
 IO2 = A22, A18, A14, A10, A2, M6, M2
 IO3 = A23, A19, A15, A11, A3, M7, M3

3. Fast Read Quad I/O Data Output

IO0 = (x, x, x, x, D4, D0...)
 IO1 = (x, x, x, x, D5, D1...)
 IO2 = (x, x, x, x, D6, D2...)
 IO3 = (x, x, x, x, D7, D3...)

4. See Section 7, Manufacturer and Device Identification, for Device ID information.

5. Set Burst With Wrap

IO0 = x, x, x, x, x, x, W4, x
 IO1 = x, x, x, x, x, x, W5, x
 IO2 = x, x, x, x, x, x, W6, x
 IO3 = x, x, x, x, x, x, W7, x

Table 11. Command Set Table 4 (QPI Commands)

Command Byte ¹	0	1	2	3	4	5	6	7	8	
Clock Number	0, 1	2, 3	4, 5	6, 7	8, 9	10, 11	12, 13	14, 15	16, 17	
Write Enable	06h									
Write Enable (for volatile Status registers)	50h									
Write Disable	04h									
Read Status Register 1	05h	(SR7:SR0) ²								
Read Status Register 2	35h	(SR15:SR8) ²								
Write Status Register 1 ²	01h	(SR7:SR0)	(SR15:SR8)							
Write Status Register 2	31h	(SR15:SR8)								
Fast Read Data	up to 80 MHz	0Bh	A23:A16	A15:A8	A7:A0	Dummy	Dummy	(D7:D0)		
	up to 104 MHz		A23:A16	A15:A8	A7:A0	Dummy	Dummy	Dummy	(D7:D0)	
Page Program	02h	A23:A16	A15:A8	A7:A0	(D7:D0) ³					
Block Erase (4 kB)	20h	A23:A16	A15:A8	A7:A0						
Block Erase (32 kB)	52h	A23:A16	A15:A8	A7:A0						
Block Erase (64 kB)	D8h	A23:A16	A15:A8	A7:A0						
Chip Erase	60h/C7h									
Erase/Program Suspend	75h									
Erase/Program Resume	7Ah									
Deep Power-Down	B9h									
Release from Deep Power-Down	ABh									
Read Manufacturer/Device ID ⁴	90h	00h	00h	00h or 01h	(MID7: MID0)	(DID7: DID0)				
Read JEDEC ID	9Fh	(MID7:MID0) (Mfg ID)	(D7:D0) (Mem Typ)	(D7:D0) (Cap)						
Enter Secured OTP	B1h									
Exit Secured OTP	C1h									
Read Security Register	2Bh	(SC7:SC0) ⁵								
Write Security Register	2Fh									
Fast Read Quad I/O	up to 80 MHz	EBh	A23:A16	A15:A8	A7:A0	(M7:M0)	Dummy	(D7:D0)		
	up to 104 MHz		A23:A16	A15:A8	A7:A0	(M7:M0)	Dummy	Dummy	(D7:D0)	
	up to 133 MHz		A23:A16	A15:A8	A7:A0	(M7:M0)	Dummy	Dummy	Dummy	(D7:D0)
Reset Enable	66h									
Reset	99h									
Disable QPI	FFh									

Table 11. Command Set Table 4 (QPI Commands) (Continued)

Command Byte ¹		0	1	2	3	4	5	6	7	8
Clock Number		0, 1	2, 3	4, 5	6, 7	8, 9	10, 11	12, 13	14, 15	16, 17
Burst Read with Wrap	up to 80 MHz	0Ch	A23:A16	A15:A8	A7:A0	Dummy	Dummy	(D7:D0)		
	up to 104 MHz		A23:A16	A15:A8	A7:A0	Dummy	Dummy	Dummy	(D7:D0)	
	up to 133 MHz		A23:A16	A15:A8	A7:A0	Dummy	Dummy	Dummy	Dummy	(D7:D0)
Set Read Parameter		C0h	P7:P0							
Quad Page Program		33h	A23:A16	A15:A8	A7:A0	(D7:D0)				

1. Data bytes are shifted with Most Significant Bit first. Byte fields with data in parenthesis “()” indicate data being read from the device on the IO pin.
2. SR = Status Register. The Status Register contents and Device ID repeat continuously until \overline{CS} terminates the command.
3. At least one byte of data input is required for Page Program, Quad Page Program, and Program Security Register, up to 256 bytes of data input. If more than 256 bytes of data are sent to the device, the addressing wraps to the beginning of the page and overwrites previously sent data.
4. See Table 7 for Device ID information.
5. SC = Security Register.

8.2 Write Enable (06h)

The Write Enable command is for setting the Write Enable Latch (WEL) bit in the Status Register. The WEL bit must be set before every Program, Erase, and Write Status Register command. To enter the Write Enable command, \overline{CS} goes low before the command 06h into Data Input (SI) pin on the rising edge of SCK; then \overline{CS} goes high.

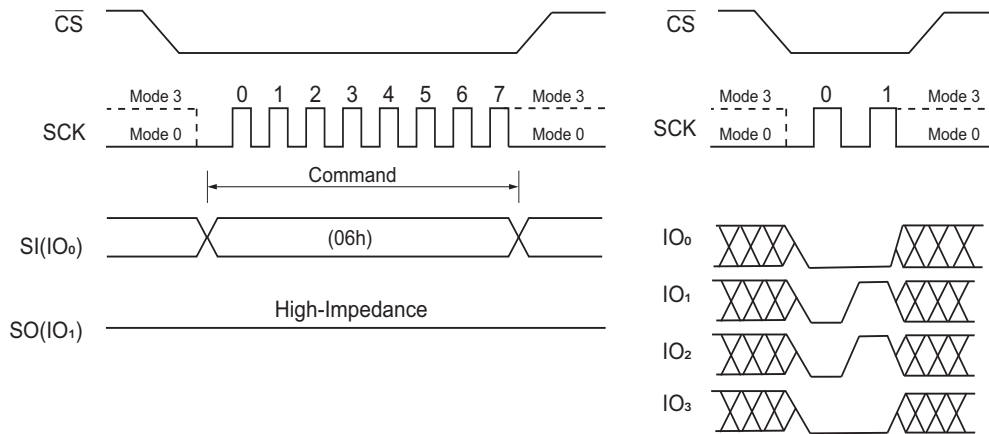


Figure 6. Write Enable Command for SPI Mode (left) and QPI Mode (right)

8.3 Write Enable for Volatile Status Register (50h)

This gives more flexibility to change the system configuration and memory protection schemes quickly, without waiting for the typical non-volatile bit write cycles or affecting the endurance of the Status Register non-volatile bits. To write the volatile values into the Status Register bits, the Write Enable for Volatile Status Register (50h) command must be issued before a Write Status Register (01h) command. The Write Enable for Volatile Status Register command (Figure 7) does not set the Write Enable Latch (WEL) bit. Once Write Enable for Volatile Status Register is set, a Write Enable command must not have been issued before issuing the Write Status Register command (01h or 31h). When Write Enable for Volatile Status Register (50h) is set in QPI Mode, the SUS bit (S15) and Reserved bits (S13, S12, S11, and S10) of the Status Register-2 must be driven to high after Write Status Register command(01h).Once Read Status Register (05h or 31h) is issued, the read values of SUS bit (S15) and Reserved bits (S13, S12, S11, and S10) of the Status Register-2 are ignored.

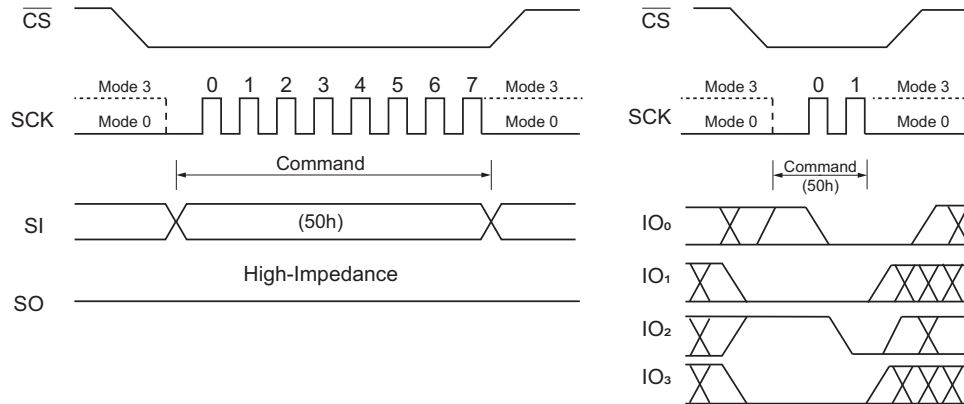


Figure 7. Write Enable for Volatile Status Register Command for SPI Mode (left) and QPI Mode (right)

8.4 Write Disable (04h)

The Write Disable command is to reset the Write Enable Latch (WEL) bit in the Status Register. To enter the Write Disable command, \overline{CS} goes low before the command 04h goes into the Data Input (SI) pin on the rising edge of SCK; then, \overline{CS} goes high. The WEL bit is automatically reset write-disable status of 0 after power-up and upon completion of every Program, Erase, and Write Status Register command.

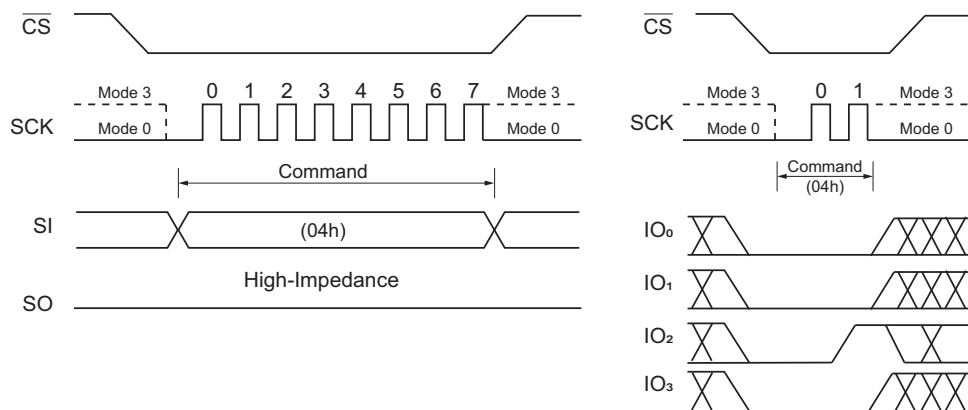


Figure 8. Write Disable Command for SPI Mode (left) and QPI Mode (right)

8.5 Read Status Register-1 (05h) and Read Status Register-2 (35h)

The Read Status Register commands are to read the Status Register. The Read Status Register can be read at any time (even in program/erase/write Status Register and Write Security Register condition). It is recommended to check the BUSY bit before sending a new command when a Program, Erase, Write Status Register, or Write Status Register operation is in progress.

The command is entered by driving \overline{CS} low and sending the command code 05h for Status Register-1 or 35h for Status Register-2 into the SI pin on the rising edge of SCK. The status register bits are then shifted out on the SO pin at the falling edge of SCK with most significant bit (MSB) first, as shown in Figure 9 and Figure 10. The Status Register can be read continuously. The command is completed by driving \overline{CS} high.

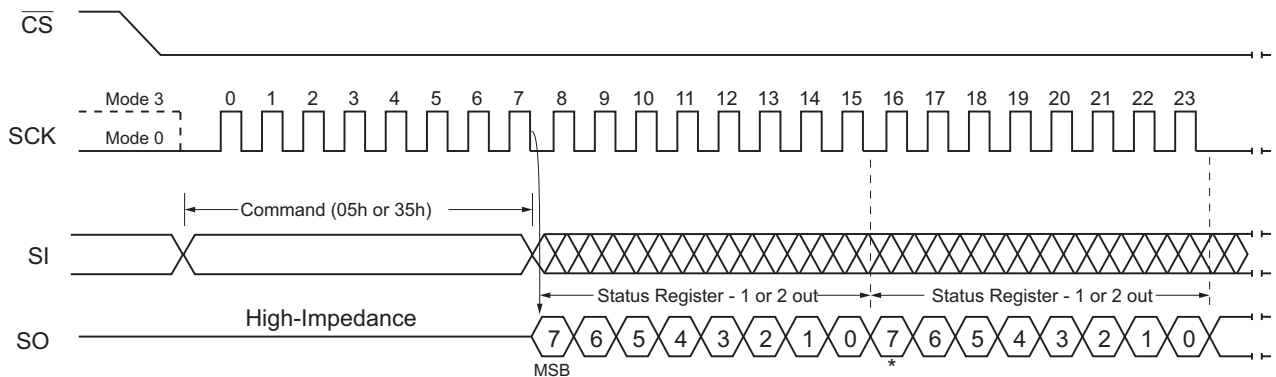


Figure 9. Read Status Register Command (SPI Mode)

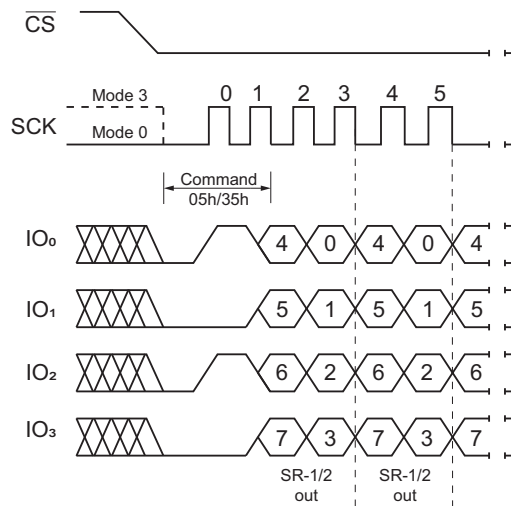


Figure 10. Read Status Register Command (QPI Mode)

8.6 Write Status Register (01h)

The Write Status Register command writes only to non-volatile Status Register-1 bits (SRP0) and Status Register-2 bits (QE and SRP1). All other Status Register bit locations are read-only and are not affected by the Write Status Register command.

A Write Enable command must previously have been issued before setting Write Status Register Command (Status Register bit WEL must equal 1). Once write is enabled, the command is entered by driving \overline{CS} low, sending the command code, and then writing the status register data byte, as shown in Figure 11 and Figure 12.

The \overline{CS} pin must be driven high after the eighth or sixteenth bit of data that is clocked in. If this is not done, the Write Status Register command is not executed. If \overline{CS} is driven high after the eighth clock, the QE and SRP1 bits are cleared to 0. After \overline{CS} is driven high, the self-timed Write Status Register cycle commences for a time of t_{W} (see Section 9.6, AC Electrical Characteristics).

While the Write Status Register cycle is in progress, the Read Status Register command can still be accessed to check the status of the BUSY bit. The BUSY bit is a 1 during the Write Status Register cycle and a 0 when the cycle is finished and ready to accept other commands again. When the BUSY bit is asserted, the Write Enable Latch (WEL) bit in Status Register is cleared to 0.

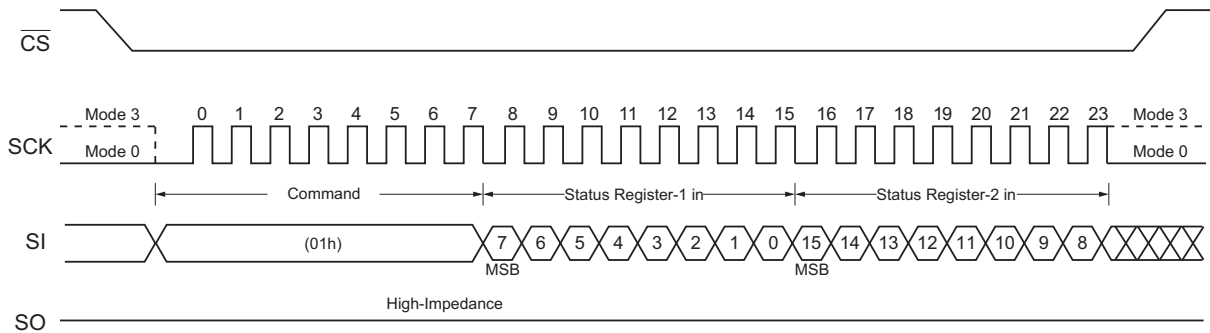


Figure 11. Write Status Register Command (SPI Mode)

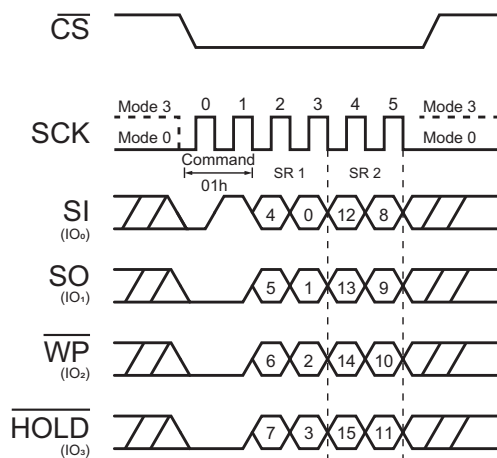


Figure 12. Write Status Register Command (QPI Mode)

8.7 Write Status Register-2 (31h)

The Write Status Register-2 command is to write only non-volatile Status Register-2 bits (QE and SRP1).

A Write Enable command must previously have been issued before setting Write Status Register Command (Status Register bit WEL must equal 1). Once write is enabled, the command is entered by driving \overline{CS} low, sending the command code, and then writing the status register data byte, as shown in Figure 13 and Figure 14.

Using Write Status Register-2 (31h) command, software can individually access each one-byte status registers via different commands.

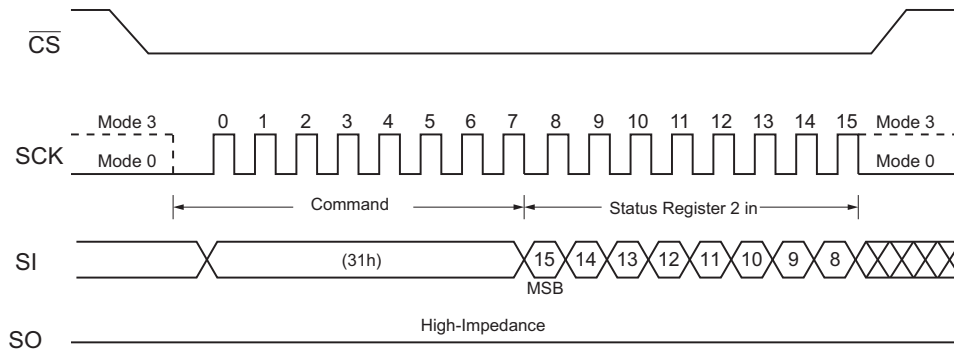


Figure 13. Write Status Register-2 Command (SPI Mode)

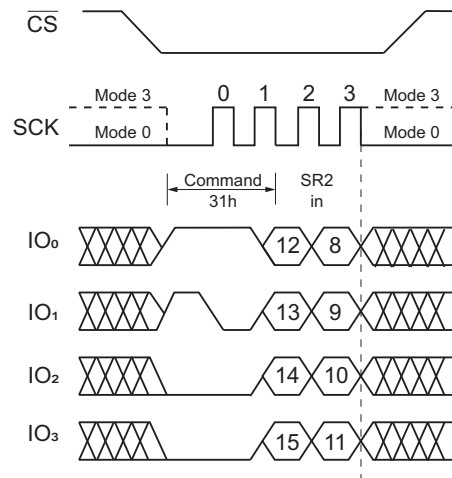


Figure 14. Write Status Register-2 Command (QPI Mode)

8.8 Read Data (03h)

The Read Data command is to read data out from the device. The command is initiated by driving the \overline{CS} pin low and then sending the command code 03h with following a 24-bit address (A23-A0) into the SI pin. After the address is received, the data byte of the addressed memory location is shifted out on the SO pin at the falling edge of SCK with most significant bit (MSB) first. The address is automatically incremented to the next higher address after byte of data is shifted out allowing for a continuous stream of data. This means that the entire memory can be accessed with a single command as long as the clock continues. The command is completed by driving \overline{CS} high. The Read Data command sequence is shown in Figure 15. If a Read Data command is issued while an Erase, Program, or Write Status Register cycle is in process (BUSY=1), the command is ignored and has no effect on the current cycle. The Read Data command allows clock rates from D.C to a maximum of f_R (see Section 9.6, AC Electrical Characteristics).

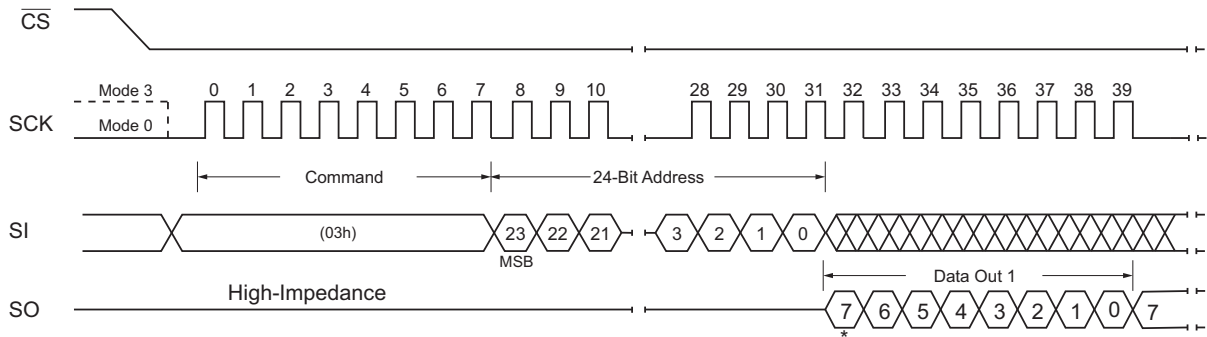


Figure 15. Read Data Command

8.9 Fast Read (0Bh)

The Fast Read command is high speed reading mode that it can operate at the highest possible frequency of F_R . The address is latched on the rising edge of the SCK. After the 24-bit address, this is accomplished by adding dummy clocks, as shown in Figure 16. The dummy clocks means the internal circuits require time to set up the initial address. During the dummy clocks, the data value on the SO pin is a don't care. Data of each bit shifts out on the falling edge of SCK.

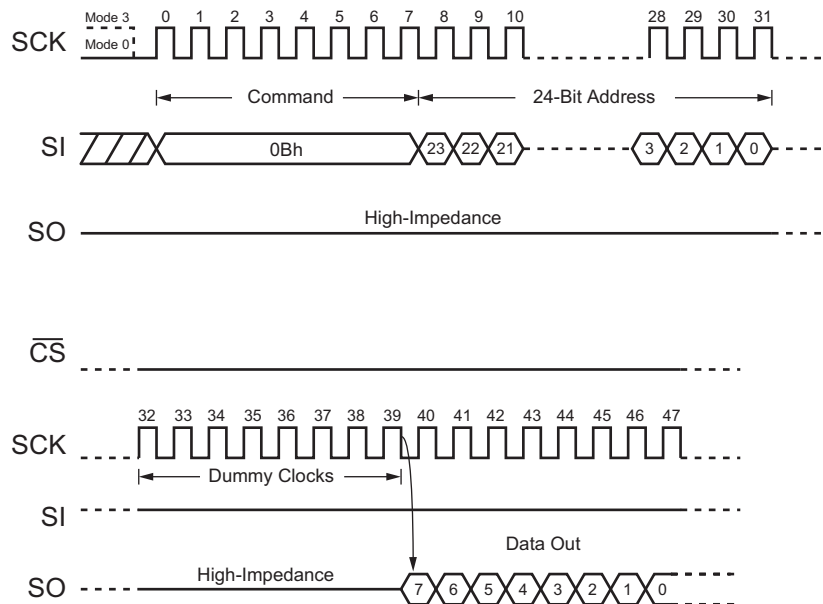
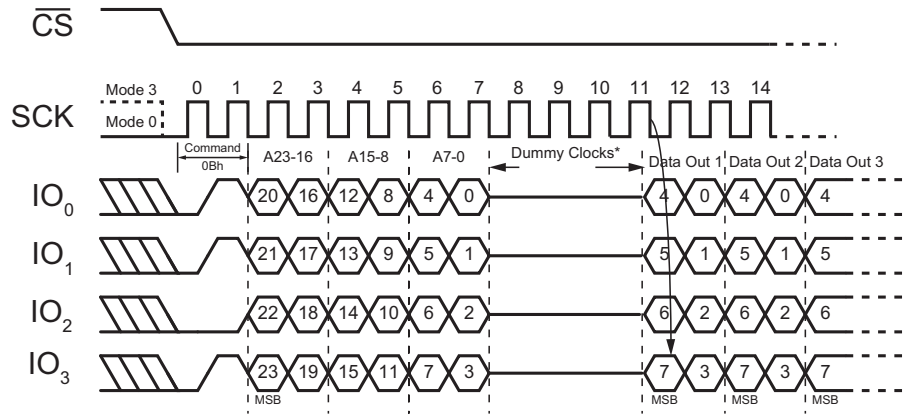


Figure 16. Fast Read Command (SPI Mode)

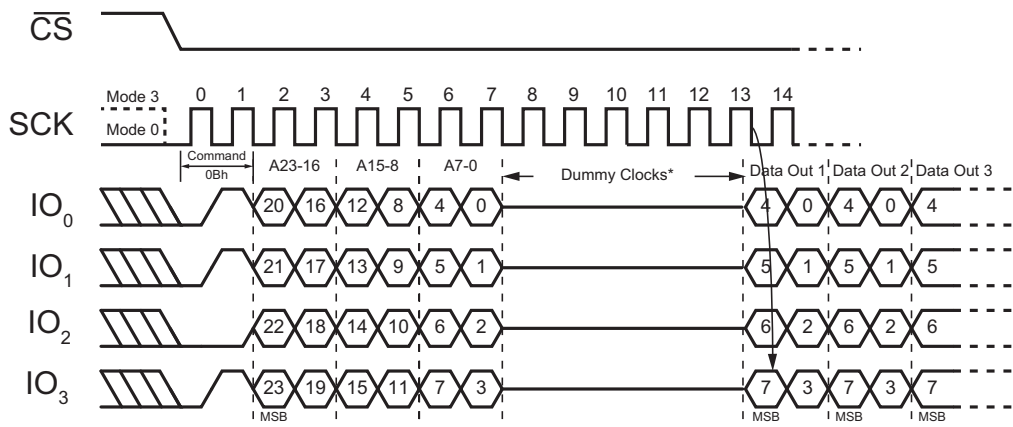
8.10 Fast Read in QPI Mode

When QPI mode is enabled, the number of dummy clock is configured by the Set Read Parameters (C0h) command to accommodate wide range applications with different needs for either maximum Fast Read frequency or minimum data access latency. Depending on the Read Parameter Bit P[4] and P[5] setting, the number of dummy clocks can be configured as either 4, 6, or 8. The default number of dummy clocks upon power-up or after a Reset command is 4. (See Figure 16, Figure 17, and Figure 18).



* = "Set Read Parameters" command (C0h) can set the number of dummy clocks

Figure 17. Fast Read command (QPI Mode, 80MHz)



* = "Set Read Parameters" command (C0h) can set the number of dummy clocks

Figure 18. Fast Read command (QPI Mode, 104MHz)

8.11 Fast Read Dual Output (3Bh)

By using two pins (IO₀ and IO₁, instead of just IO₀), The Fast Read Dual Output command allows data to be transferred from the AT25SL128A at twice the rate of standard SPI devices. The Fast Read Dual Output command is ideal for quickly downloading code from Flash to RAM upon power-up or for application that cache code-segments to RAM for execution.

The Fast Read Dual Output command can operate at the highest possible frequency of F_R (see Section 9.6, AC Electrical Characteristics). After the 24-bit address, this is done by adding eight dummy clocks, as shown in Figure 19. The dummy clocks allow the internal circuits additional time for setting up the initial address. During the dummy clocks, the data value on the SO pin is a don't care. However, the IO₀ pin must be high-impedance before the falling edge of the first data out clock.

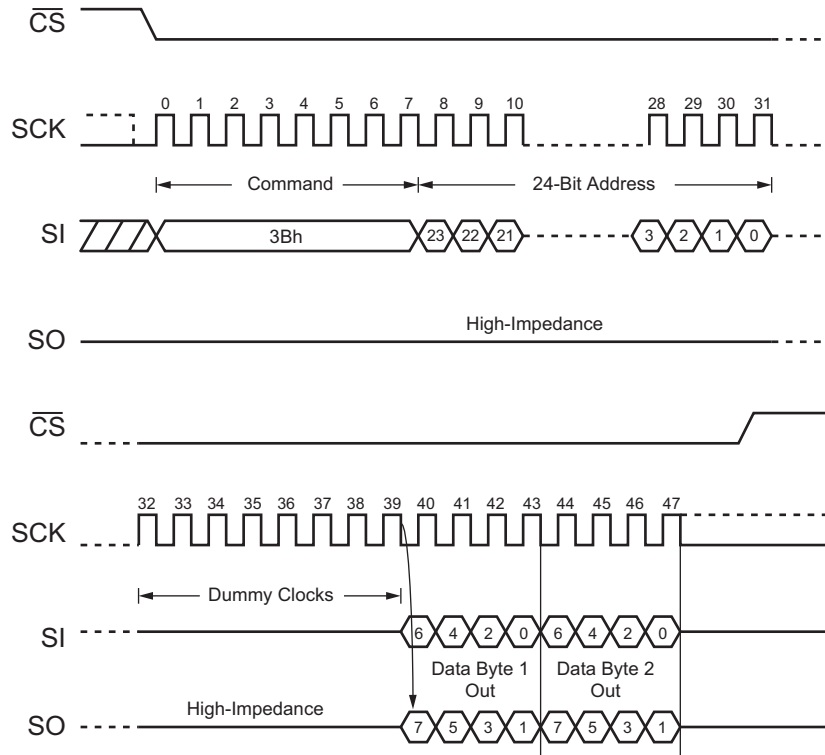


Figure 19. Fast Read Dual Output command (SPI Mode)

8.12 Fast Read Quad Output (6Bh)

By using four pins (IO₀, IO₁, IO₂, and IO₃), The Fast Read Quad Output command allows data to be transferred from the AT25SL128A at four times the rate of standard SPI devices. A Quad enable of Status Register-2 must be executed before the device can accept the Fast Read Quad Output command (Status Register bit QE must equal 1).

The Fast Read Quad Output command can operate at the highest possible frequency of F_R (see Section 9.6, AC Electrical Characteristics). This is accomplished by adding eight dummy clocks after the 24-bit address, as shown in Figure 20. The dummy clocks allow the internal circuits additional time for setting up the initial address. During the dummy clocks, the data value on the SO pin is a don't care. However, the IO₀ pin must be high-impedance before the falling edge of the first data out clock.

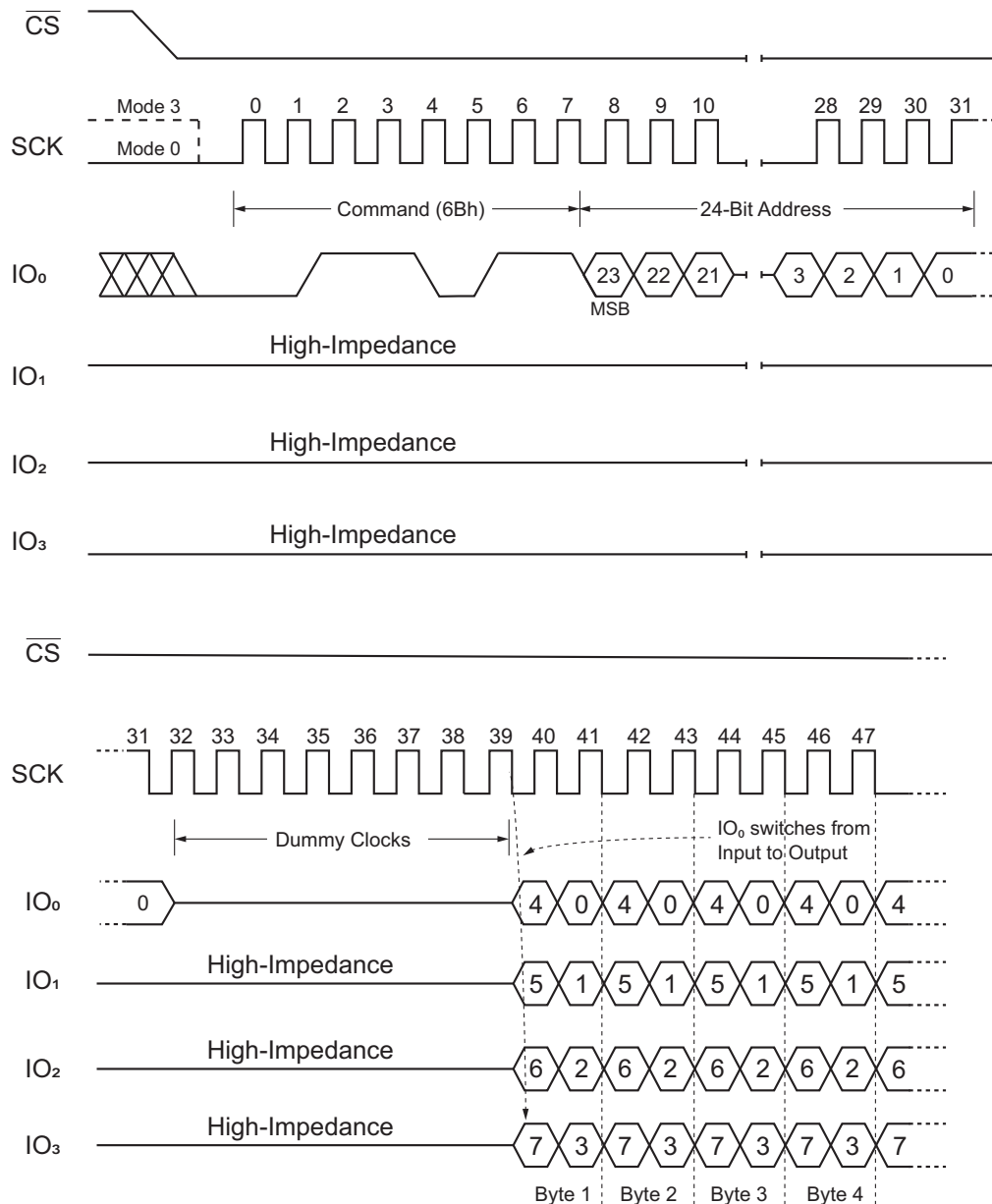


Figure 20. Fast Read Quad Output command (SPI Mode)

8.13 Fast Read Dual I/O (BBh)

The Fast Read Dual I/O command reduces cycle overhead through double access using two IO pins: IO₀ and IO₁.

Continuous Read Mode

The Fast Read Dual I/O command can further reduce cycle overhead through setting the Mode bits (M7-0) after the input Address bits (A23-0). The upper nibble of the Mode (M7-4) controls the length of the next Fast Read Dual I/O command through the inclusion or exclusion of the first byte command code. The lower nibble bits of the Mode (M3-0) are don't care ("X"), However, the IO pins must be high-impedance before the falling edge of the first data out clock.

If the Mode bits (M7-0) equal "Ax" hex, then the next Fast Dual I/O command (after \overline{CS} is raised and then lowered) does not require the command (BBh) code, as shown in Figure 21 and Figure 22. This reduces the command sequence by eight clocks and allows the address to be immediately entered after \overline{CS} is asserted low. If Mode bits (M7-0) are any value other "Ax" hex, the next command (after \overline{CS} is raised and then lowered) requires the first byte command code, thus returning to normal operation. A Mode Bit Reset can be used to reset Mode Bits (M7-0) before issuing normal commands.

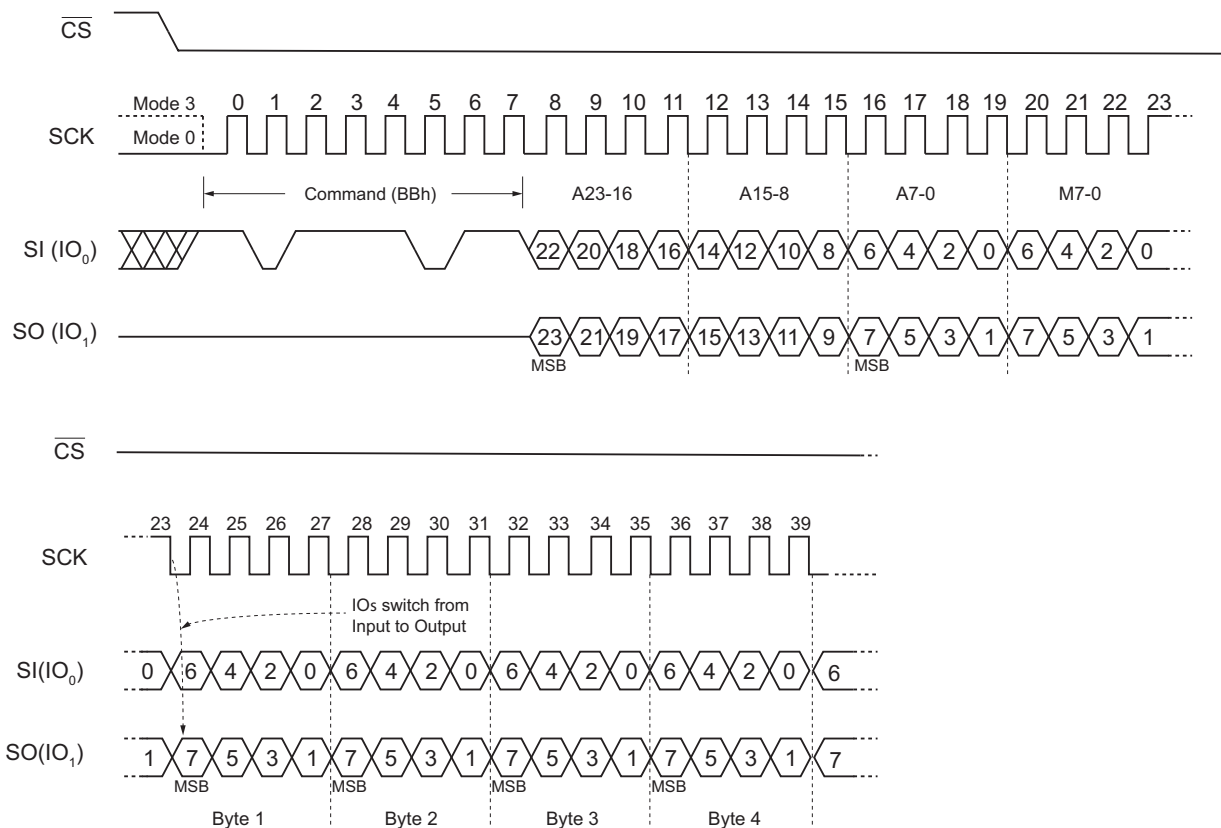


Figure 21. Fast Read Dual I/O Command (initial command or previous M7-0≠ Axh)

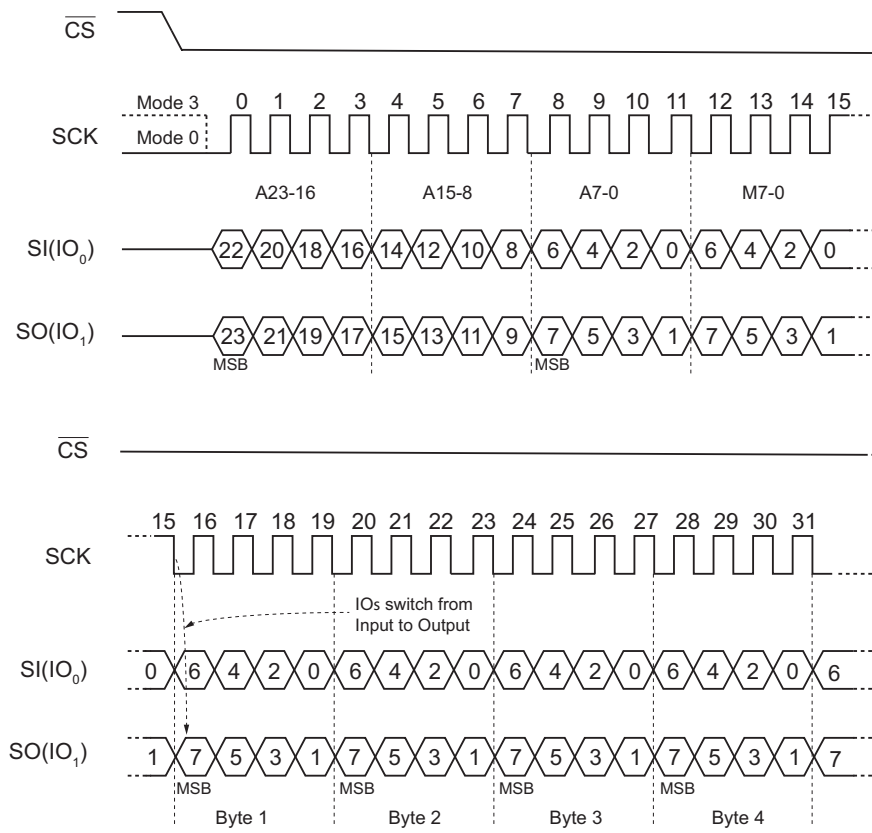


Figure 22. Fast Read Dual I/O Command (previous M7-0 = A_{xh})

8.14 Fast Read Quad I/O (EBh)

The Fast Read Quad I/O command reduces cycle overhead through quad access using four IO pins: IO₀, IO₁, IO₂, and IO₃. The Quad Enable bit (QE) of Status Register-2 must be set to enable the Fast read Quad I/O Command.

Continuous Read Mode

The Fast Read Quad I/O command can further reduce command overhead through setting the Mode bits (M7-0) with following the input Address bits (A23-0), as shown in Figure 23. The upper nibble of the Mode (M7-4) controls the length of the next Fast Read Quad I/O command through the inclusion or exclusion of the first byte command code. The lower nibble bits of the Mode (M3-0) are don't care ("X"). However, the IO pins must be high-impedance before the falling edge of the first data out clock.

If the Mode bits (M7-0) equal "Ax" hex, then the next Fast Read Quad I/O command (after CS is raised and then lowered) does not require the EBh command code, as shown in Figure 24. This reduces the command sequence by eight clocks and allows the address to be immediately entered after CS is asserted low. If the Mode bits (M7-0) are any value other than "Ax" hex, the next command (after CS is raised and then lowered) requires the first byte command code, thus retuning normal operation. A Mode Bit Reset can be used to reset Mode Bits (M7-0) before issuing normal commands.

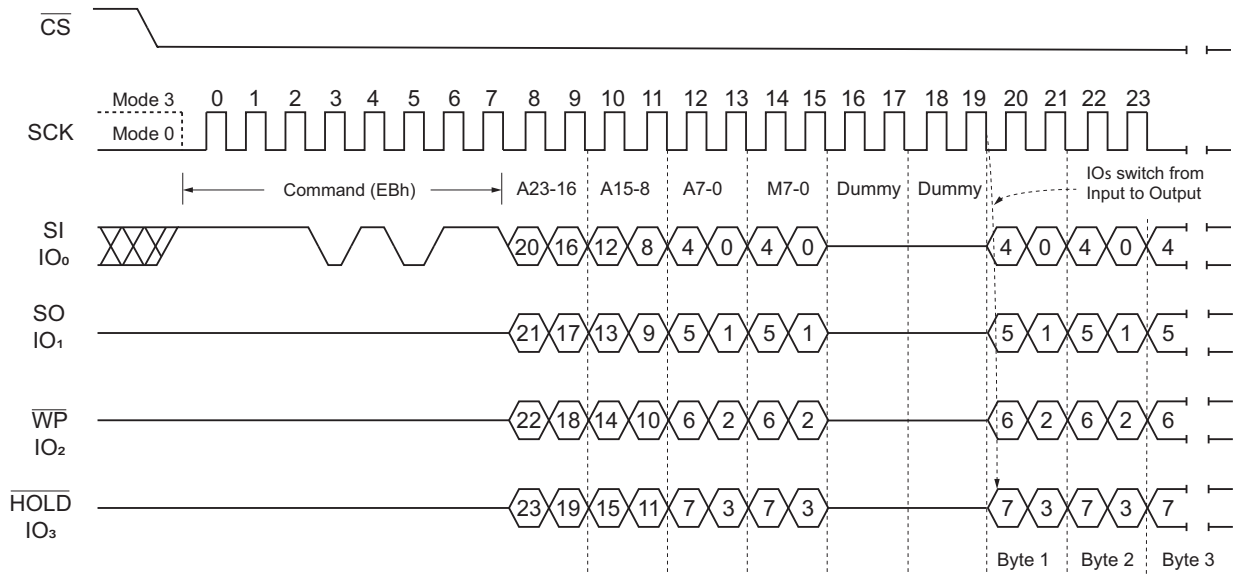


Figure 23. Fast Read Quad I/O Command (Initial command or previous M7-0 ≠ Axh, SPI mode)

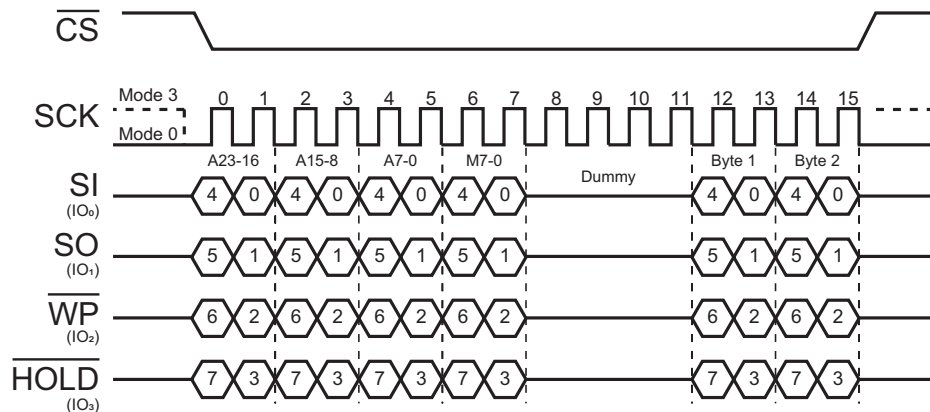


Figure 24. Fast Read Quad I/O Command (previous M7-0 = Axh, SPI mode)

Wrap Around in SPI Mode

The Fast Read Quad I/O command can also be used to access specific portion within a page by issuing a Set Burst with Wrap (77h) command prior Fast Read Quad I/O (EBh) command. The Set Burst with Wrap (77h) command can either enable or disable the Wrap Around feature for the following Fast Read Quad I/O command.

When Wrap Around is enabled, the data being accessed can be limited to an 8/16/32/64-byte section of a 256-byte page. The output data starts at the initial address specified in the command, once it reaches the ending boundary of the 8/16/32/64-byte section, the output wraps around to the beginning boundary automatically until \overline{CS} is pulled high to terminate the command.

The Burst with Wrap feature allows applications that use cache to quickly fetch a critical address and then fill the cache afterwards within a fixed length of data (8/16/32/64-byte) without issuing multiple read commands. (See Section 8.32).

Fast Read Quad I/O in QPI Mode

When QPI mode is enabled, the number of dummy clocks is configured by the Set Read Parameters (C0h) command to accommodate a wide range applications with different needs for either maximum Fast Read frequency or minimum data access latency. Depending on the Read Parameter Bits P [4] and P [5] setting, the number of dummy clocks can be configured as either 4 or 6 or 8. The default number of dummy clocks upon power up or after a Reset (99h) command is 4.

The Continuous Read Mode feature is also available in QPI mode for Fast Read Quad I/O command. In QPI mode, the Continuous Read Mode bits M7-0 are also considered as dummy clocks. In the default setting, the data output follows the Continuous Read Mode bits immediately.

The Wrap Around feature is not available in QPI mode for Fast Read Quad I/O command. To perform a read operation with fixed data length wrap around in QPI mode, a Burst Read with Wrap (0Ch) command must be used. (See Section 8.33).

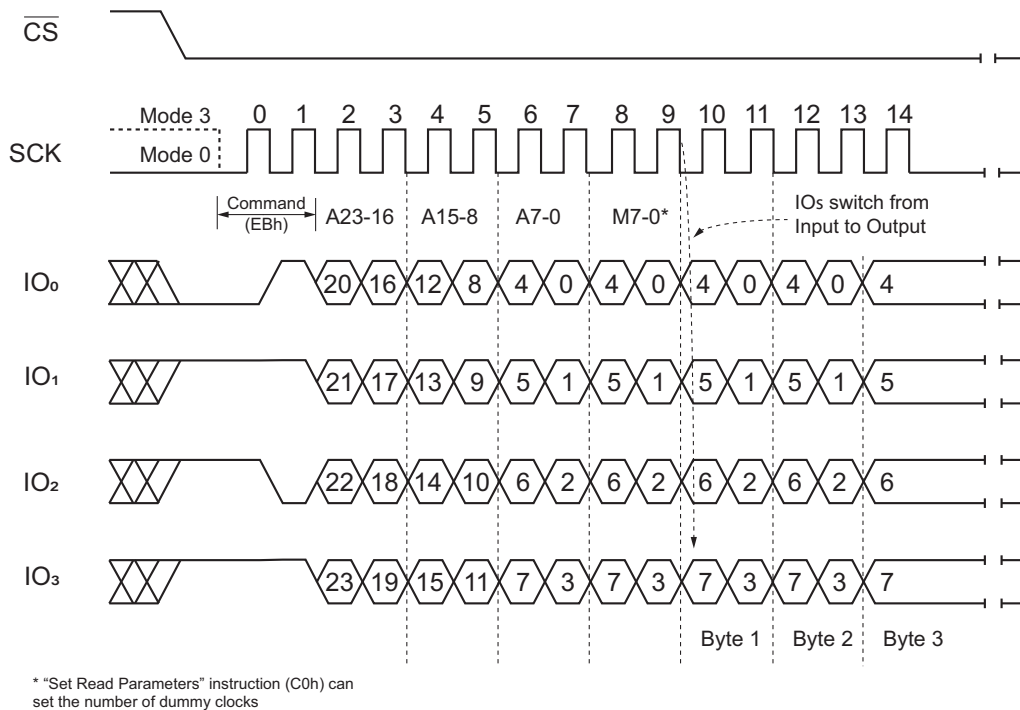
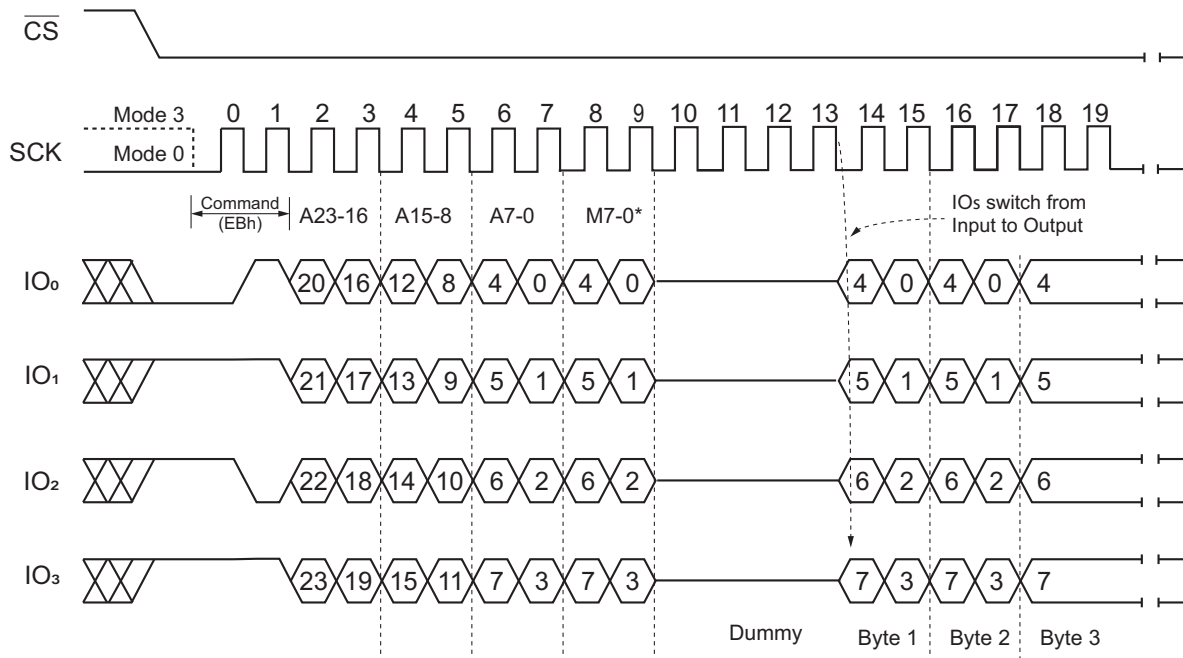


Figure 25. Fast Read Quad I/O Command (Initial command or previous M7-0 ≠ Axh, QPI mode, 80 MHz)



* "Set Read Parameters" instruction (C0h) can set the number of dummy clocks

Figure 26. Fast Read Quad I/O Command (Initial command or previous M7-0 ≠ A_{xh}, QPI mode, 133 MHz)

8.15 Page Program (02h)

The Page Program command is for programming the memory to be 0. A Write Enable command must be issued before the device accept the Page Program Command (Status Register bit WEL=1). After the Write Enable (WREN) command has been decoded, the device sets the Write Enable Latch (WEL). The command is entered by driving the \overline{CS} pin low and then sending the command code 02h with following a 24-bits address (A23-A0) and at least one data byte, into the SI pin. The \overline{CS} pin must be driven low for the entire time of the command while data is being sent to the device. (See Figure 27 and Figure 28).

If an entire 256 byte page is to be programmed, the last address byte (the eight least significant address bits) must be set to 0. If the last address byte is not zero, and the number of clocks exceeds the remaining page length, the addressing wraps to the beginning of the page. In some cases, less than 256 bytes (a partial page) can be programmed without having any effect on other bytes within the same page. One condition to perform a partial page program is that the number of clocks cannot exceed the remaining page length. If more than 256 bytes are sent to the device, the addressing wraps to the beginning of the page and overwrites previously sent data.

The \overline{CS} pin must be driven high after the eighth bit of the last byte has been latched. If this is not done, the Page Program command is not executed. After \overline{CS} is driven high, the self-timed Page Program command is active for a time duration of t_{pp} (see Section 9.6, AC Electrical Characteristics). While the Page Program cycle is in progress, the Read Status Register command can still be accessed for checking the status of the BUSY bit. The BUSY bit is a 1 during the Page Program cycle and becomes a 0 when the cycle is finished and the device is ready to accept other commands again. When the BUSY bit is asserted, the Write Enable Latch (WEL) bit in the Status Register is cleared to 0.

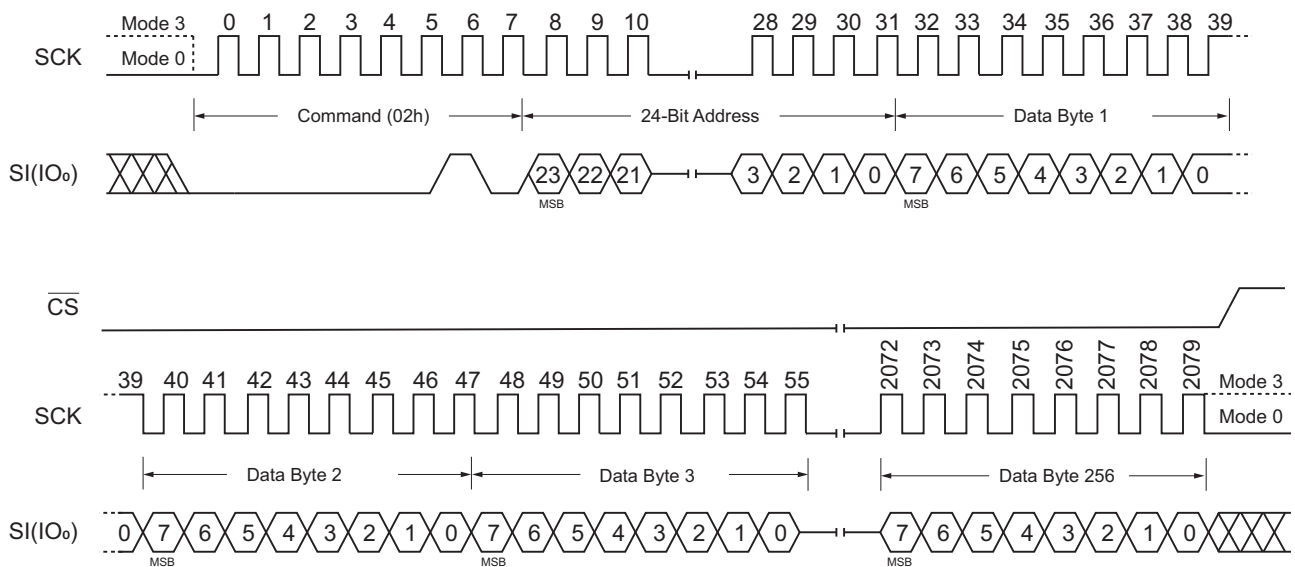


Figure 27. Page Program Command (SPI Mode)

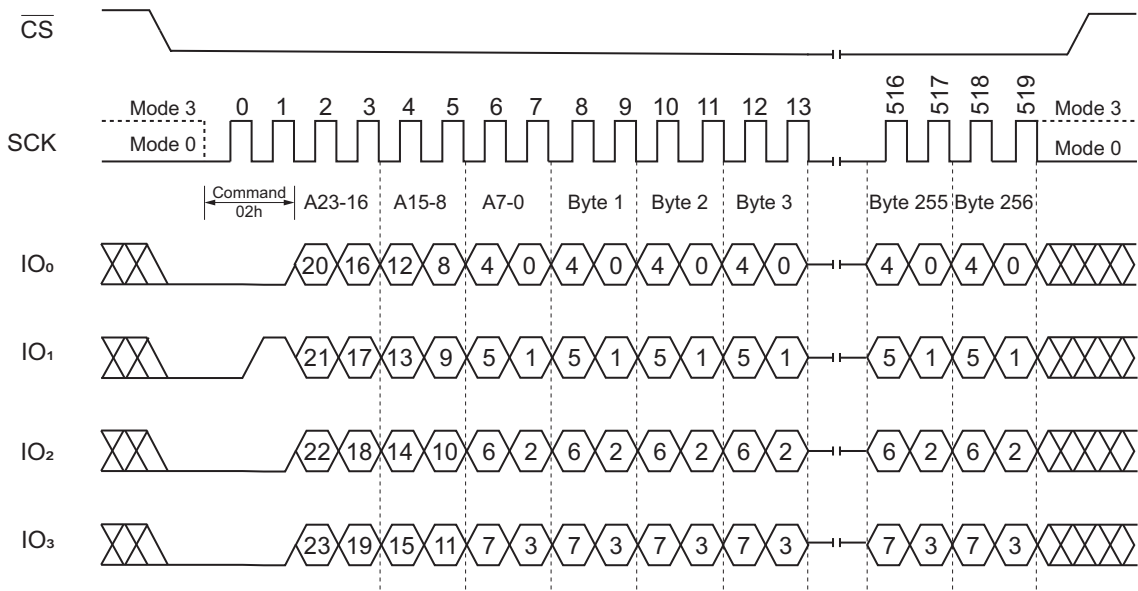


Figure 28. Page Program Command (QPI Mode)

8.16 Quad Page Program (33h)

The Quad Page Program command is to program the memory as being 0 at previously erased memory areas. The Quad Page Program takes four pins: IO₀, IO₁, IO₂, and IO₃ as address and data input, which can improve programmer performance and the effectiveness of application of lower clock less than 5 MHz. A system using a faster clock speed does not get more benefit for the Quad Page Program because the required internal page program time is far more than the time data clock-in.

To use Quad Page Program, the Quad Enable bit must be set, A Write Enable command must be executed before the device accepts the Quad Page Program command (Status Register-1, WEL = 1). The command is initiated by driving the CS pin low then sending the command code 33h with following a 24-bit address (A23-A0) and at least one data, into the IO pins. The CS pin must be held low for the entire length of the command while data is being sent to the device. All other functions of Quad Page Program are perfectly same as standard Page Program. (See Figure 29 and Figure 30).

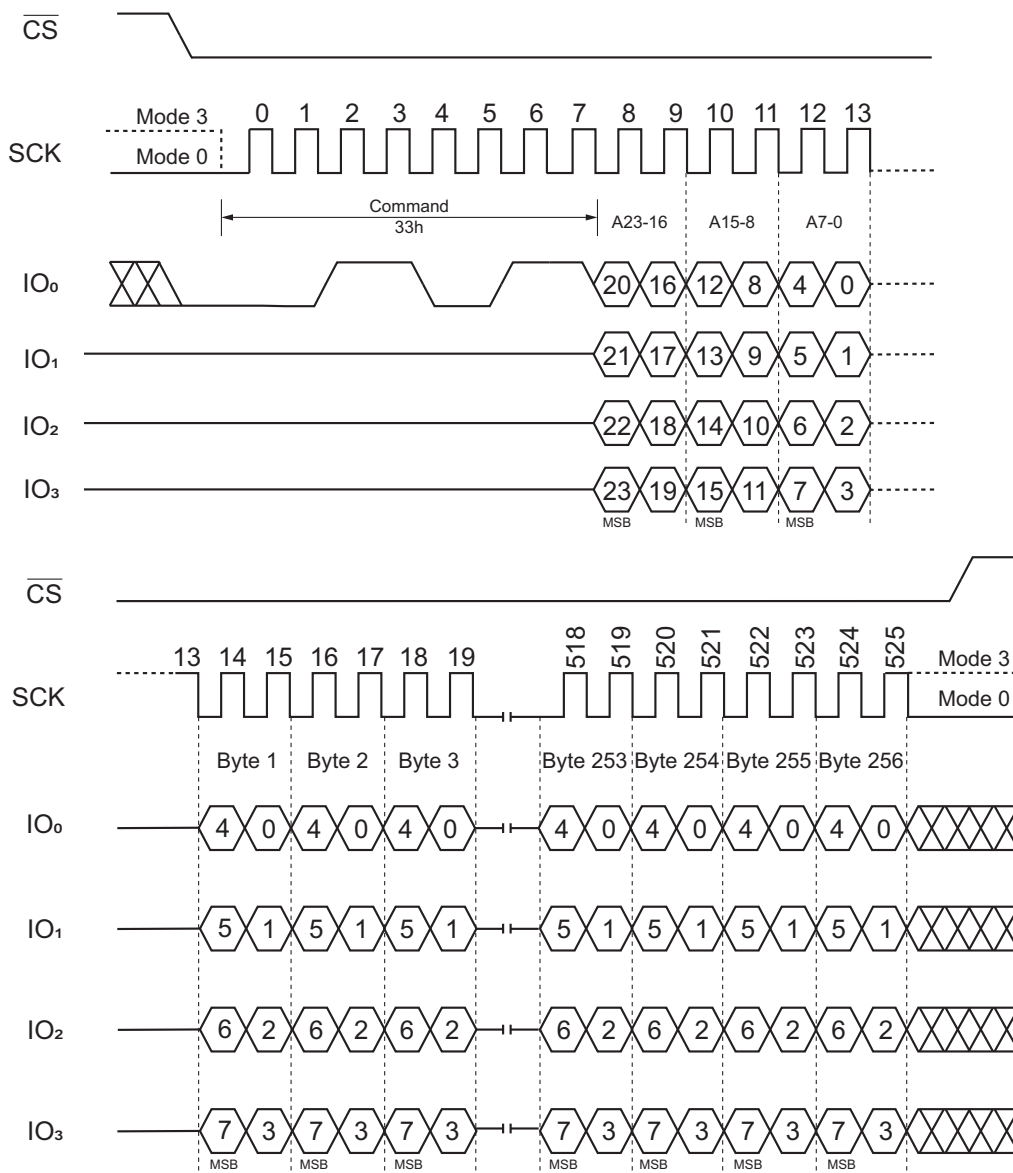


Figure 29. Quad Page Program Command (SPI mode)

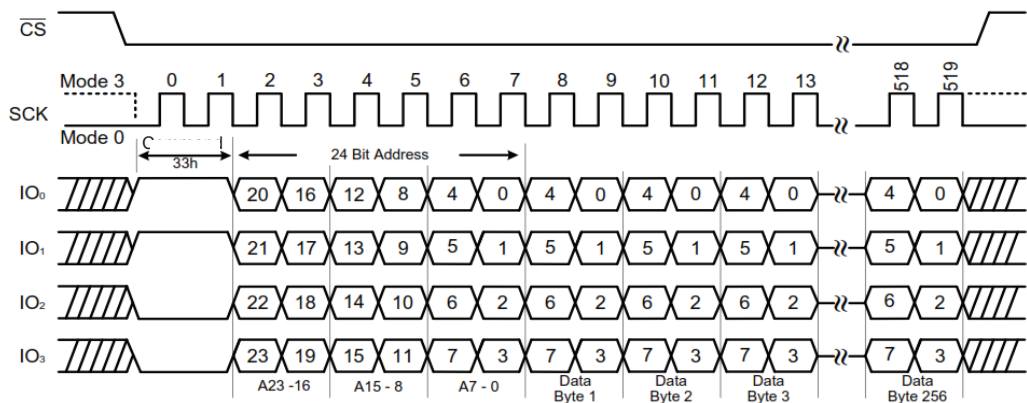


Figure 30. Quad Page Program Command (QPI mode)

8.17 4-kB Block Erase (20h)

The Block Erase command is to erase the data of the selected block as being 1. The command is used for 4 kbytes block. The Write Enable command must be issued before issuing the Block Erase command. The command is initiated by driving the \overline{CS} pin low and shifting the command code 20h followed a 24-bit block address (A23 - A0). (See Figure 31 and Figure 32.) The \overline{CS} pin must go high after the eighth bit of the last byte has been latched in; otherwise, the Block Erase command is not executed. After \overline{CS} goes high, the self-timed Block Erase command is active for a time duration of t_{SE} (see Section 9.6, AC Electrical Characteristics).

While the Block Erase cycle is in progress, the Read Status Register command can still be accessed for checking the status of the BUSY bit. The BUSY bit is a 1 during the Block Erase cycle and becomes a 0 when the cycle is finished and the device is ready to accept other commands again. When the BUSY bit is asserted, the Write Enable Latch (WEL) bit in the Status Register is cleared to 0.

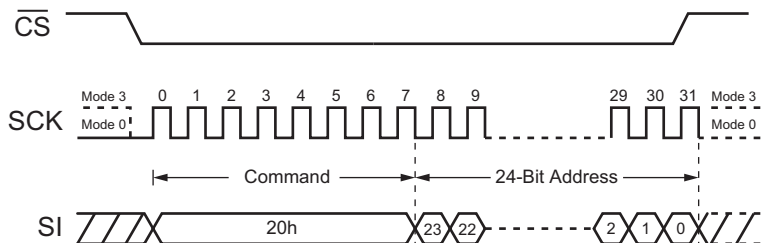


Figure 31. Block Erase Command (SPI Mode)

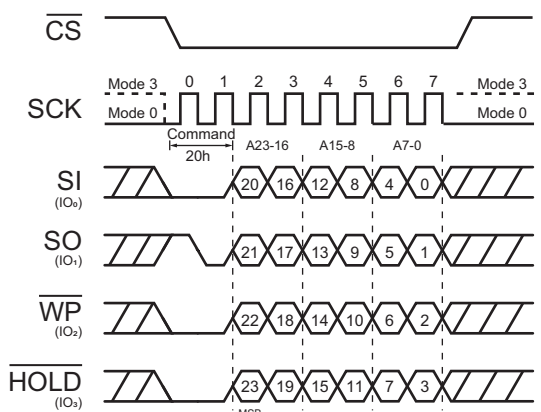


Figure 32. Block Erase Command (QPI Mode)

8.18 32-kB Block Erase (52h)

The Block Erase command is to erase the data of the selected block as being 1. The command is used for 32-kB Block erase operation. A Write Enable command must be issued before the Block Erase Command. The command is initiated by driving the \overline{CS} pin low and shifting the command code 52h followed a 24-bit block address (A23-A0). (See Figure 33 and Figure 34.) The \overline{CS} pin must go high after the eighth bit of the last byte has been latched in; otherwise, the Block Erase command is not executed. After \overline{CS} is driven high, the self-timed Block Erase command is active for a time duration of tBE1 (see Section 9.6, AC Electrical Characteristics).

During a Block Erase cycle, the Read Status Register command can still be read the status of the BUSY bit. The BUSY bit is a 1 during the Block Erase cycle and becomes a 0 when the cycle is finished and the device is ready to accept other commands again. When the BUSY bit is asserted, the Write Enable Latch (WEL) bit in the Status Register is cleared to 0.

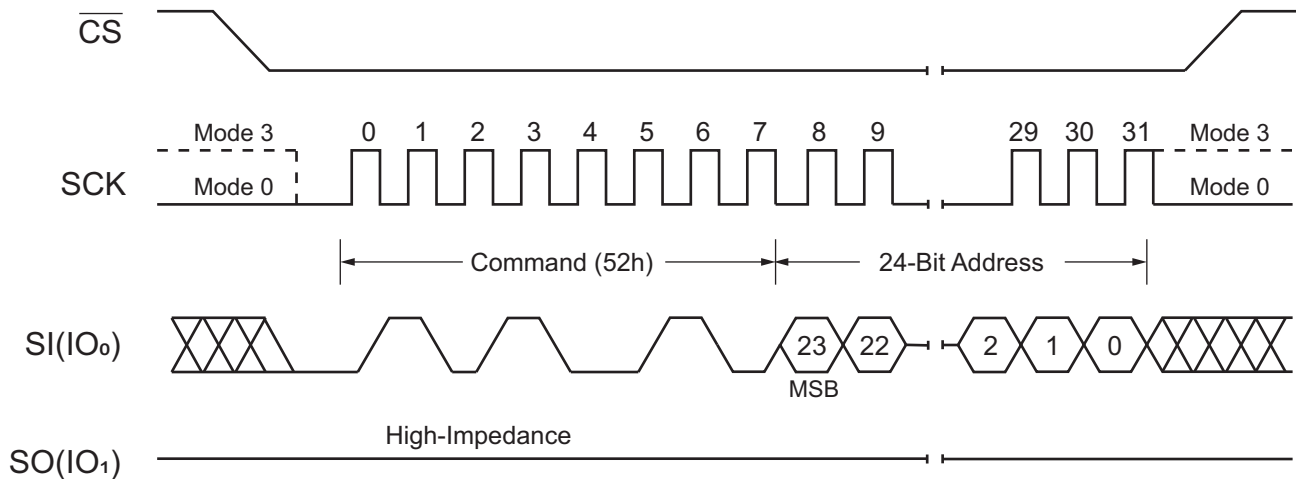


Figure 33. 32-kB Block Erase Command (SPI Mode)

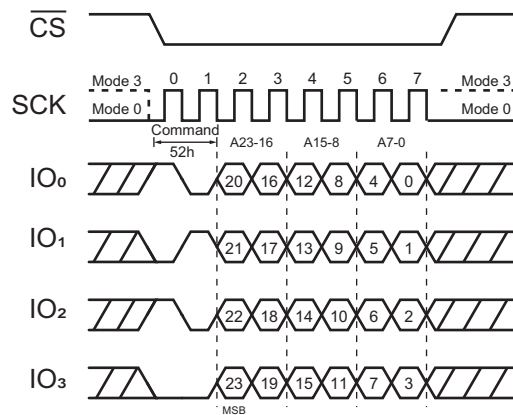


Figure 34. 32-kB Block Erase Command (QPI Mode)

8.19 64-kB Block Erase (D8h)

The Block Erase command is to erase the data of the selected block as being 1. The command is used for a 64-kB Block erase operation. A Write Enable command must be issued before issuing the Block Erase Command. The command is initiated by driving the \overline{CS} pin low and shifting the command code D8h followed a 24-bit block address (A23-A0). (See Figure 35 and Figure 36.) The \overline{CS} pin must go high after the eighth bit of the last byte has been latched in, otherwise, the Block Erase command is not executed. After \overline{CS} is driven high, the self-timed Block Erase command is active for a time duration of t_{BE2} (see Section 9.6, AC Electrical Characteristics).

While the Block Erase cycle is in progress, the Read Status Register command can still be read the status of the BUSY bit. The BUSY bit is a 1 during the Block Erase cycle and becomes a 0 when the cycle is finished and the device is ready to accept other commands again. When the BUSY bit is asserted, the Write Enable Latch (WEL) bit in the Status Register is cleared to 0.

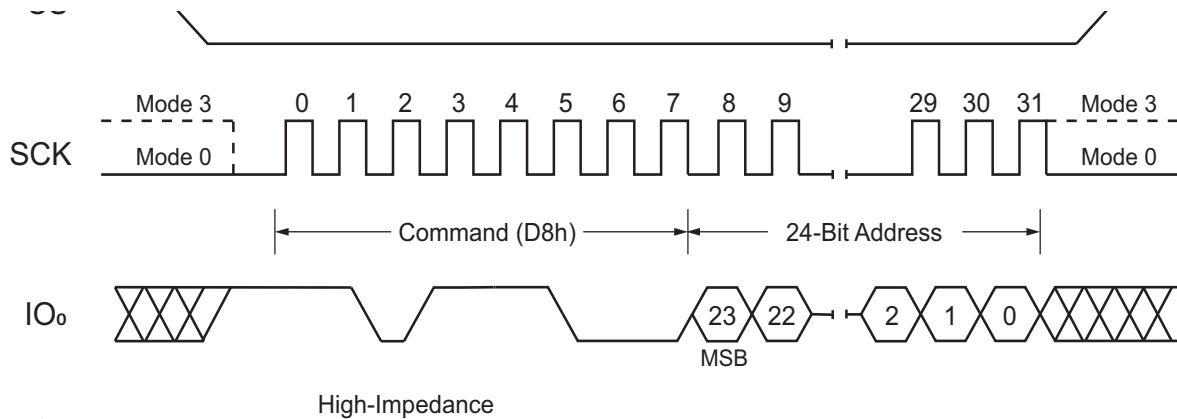


Figure 35. 64-kB Block Erase Command (SPI Mode)

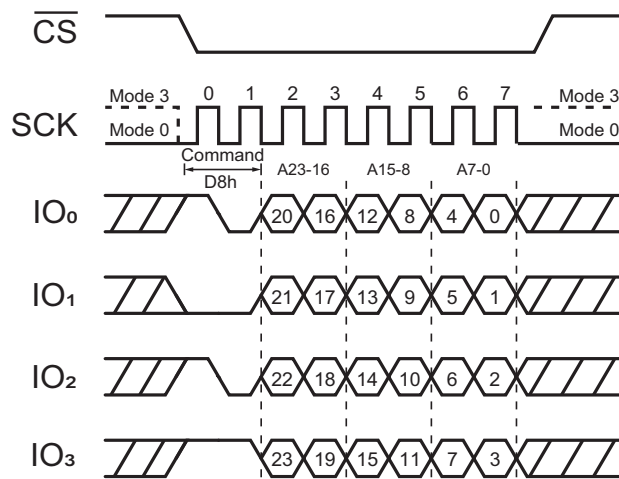


Figure 36. 64-kB Block Erase Command (QPI Mode)

8.20 Chip Erase (C7h / 60h)

The Chip Erase command clears all bits in the device to be FFh (all 1s). A Write Enable command must be issued before issuing the Chip Erase command. The command is initiated by driving the \overline{CS} pin low and shifting the command code C7h or 60h. (See Figure 37.) The \overline{CS} pin must go high after the eighth bit of the last byte has been latched in; otherwise, the Chip Erase command is not executed. After \overline{CS} is driven high, the self-timed Chip Erase command is active for a duration of t_{CE} (see Section 9.6, AC Electrical Characteristics).

While the Chip Erase cycle is in progress, the Read Status Register command can still be accessed to check the status of the BUSY bit. The BUSY bit is a 1 during the Chip Erase cycle and becomes a 0 when the cycle is finished and the device is ready to accept other commands again. When the BUSY bit is asserted, the Write Enable Latch (WEL) bit in the Status Register is cleared to 0.

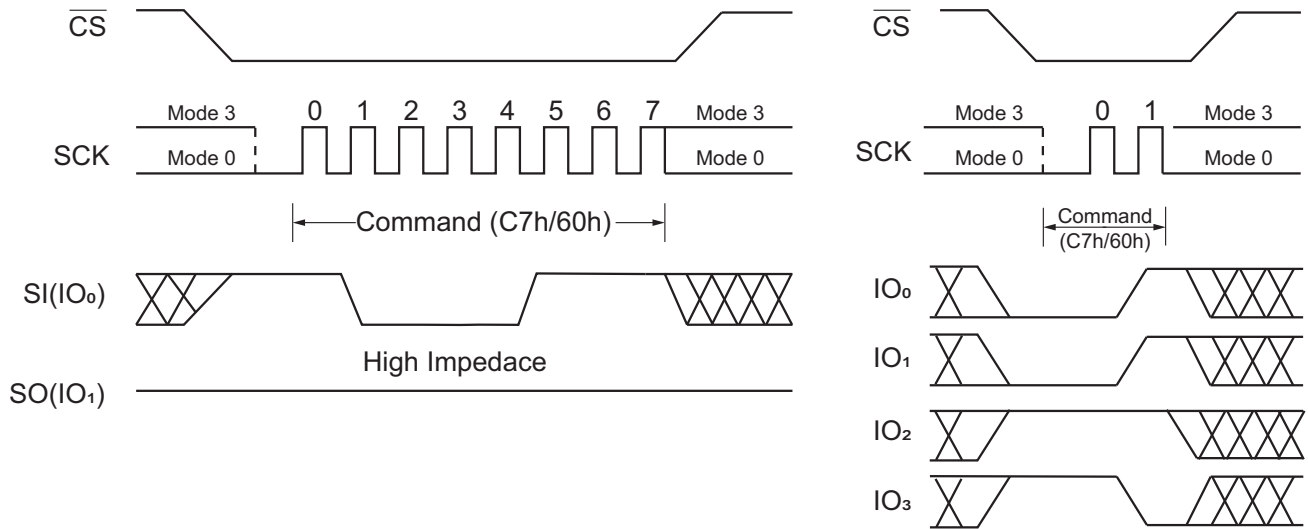


Figure 37. Chip Erase Command for SPI Mode (left) and QPI Mode (right)

8.21 Erase / Program Suspend (75h)

The Erase/Program Suspend command allows the system to interrupt a Block Erase, Block Erase operation or a Page Program, Quad Data Input Page Program, or Quad Page Program operation.

Erase Suspend is valid only during the Block or Block erase operation. The Write Status Register-1 (01h), Write Status Register-2 (31h) command and Erase commands (20h, 52h, D8h, C7h, 60h) are not allowed during Erase Suspend. During the Chip Erase operation, the Erase Suspend command is ignored.

Program Suspend is valid only during the Page Program, Quad Data Input Page Program or Quad Page Program operation. The Write Status Register-1 (01h), Write Status Register-2 (31h) command, Program commands (02h and 33h) and Erase Commands (20h, 52h, D8h, C7h, 60h) are not allowed during Program Suspend.

The Erase/Program Suspend command 75h is accepted by the device only if the SUS bit in the Status Register equals to 0 and the BUSY bit equals to 1 while a Block Erase or a Page Program operation is on-going. If the SUS bit equals to 1 or the BUSY bit equals to 0, the Suspend command is ignored by the device. A maximum of time of t_{SUS} (see Section 9.6, AC Electrical Characteristics) is required to suspend the erase or program operation. After Erase/Program Suspend, the SUS bit in the Status Register is set from 0 to 1 immediately, and the BUSY bit in the Status Register is cleared from 1 to 0 within t_{SUS} . For a previously resumed Erase/Program operation, it is also required that the Suspend command 75h is not issued earlier than a minimum of time of t_{SUS} following the preceding Resume command 7Ah.

A read operation from a 8-Mbit area (referred to as a physical block) which includes a suspended area might provide unreliable data. For the definition of the physical block and for the techniques to ensure high data integrity, see application note AN-500.

Unexpected power-off during the Erase/Program suspend state resets the device and releases the suspend state. SUS bit in the Status Register also resets to 0. The data within the page, or block that was being suspended can become corrupted. It is recommended for the user to implement system design techniques against the accidental power interruption and preserve data integrity during erase/program suspend state. (See Figure 38).

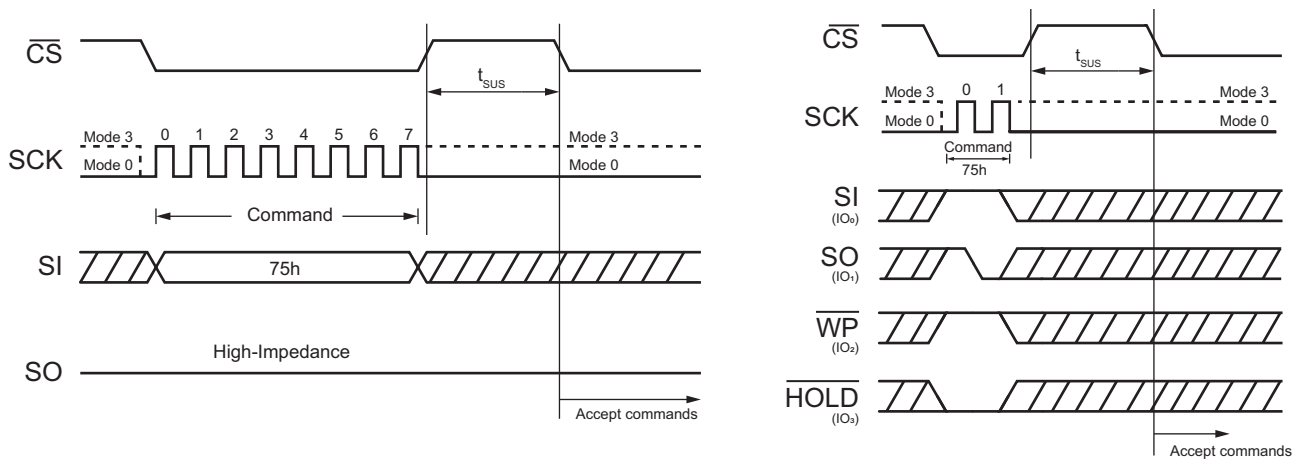


Figure 38. Erase Suspend Command (SPI Mode left, QPI Mode right)

8.22 Erase / Program Resume (7Ah)

The Erase/Program Resume command 7Ah is to restart the Block Erase operation or the Page Program operation upon an Erase/Program Suspend. The Resume command 7Ah is accepted by the device only if the SUS bit in the Status Register equals to 1 and the BUSY bit equals to 0. After issued, hardware clears the SUS bit from 1 to 0 immediately, and sets the BUSY bit from 0 to 1 within 200 ns and the Block completes either the erase operation, or the page completes the program operation. If the SUS bit equals to 0 or the BUSY bit equals to 1, the Resume command 7Ah is ignored by the device.

Resume command cannot be accepted if the previous Erase/Program Suspend operation was interrupted by unexpected power-off. It is also required that a subsequent Erase/Program Suspend command not to be issued within a minimum of time of t_{SUS} following a previous Resume command. (See Figure 39 and Figure 40).

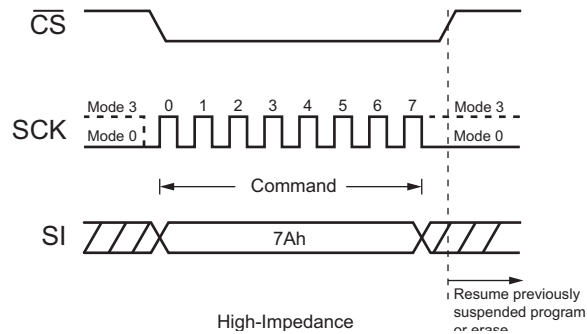


Figure 39. Erase / Program Resume command (SPI Mode)

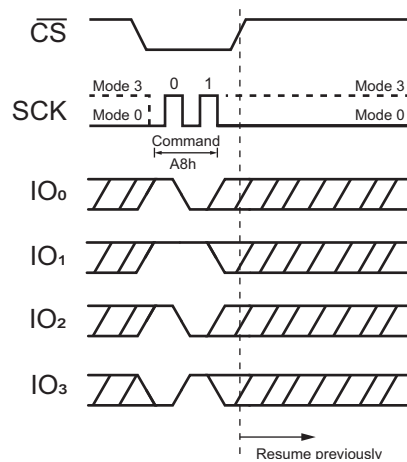


Figure 40. Erase / Program Resume command (QPI Mode)

8.23 Deep Power-Down (B9h)

Executing the Deep Power-Down command is the best way to put the device in the lowest power consumption. The Deep Power-Down command reduces the standby current (from I_{CC1} to I_{CC2} , as specified in [Section 9.6, AC Electrical Characteristics](#)). The command is entered by driving the \overline{CS} pin low with following the command code B9h. (See [Figure 41](#) and [Figure 42](#).)

The \overline{CS} pin must go high exactly at the byte boundary (the latest eighth bit of command code been latched-in); otherwise, the Deep Power-Down command is not executed. After \overline{CS} goes high, it requires a delay of t_{DP} before the Deep Power-Down mode is entered. While in the Release Deep Power-Down / Device ID command, which restores the device to normal operation, is recognized. All other commands are ignored, including the Read Status Register command, which is always available during normal operation. Deep Power-Down Mode automatically stops at Power-Down, and the device always powers up in Standby Mode.

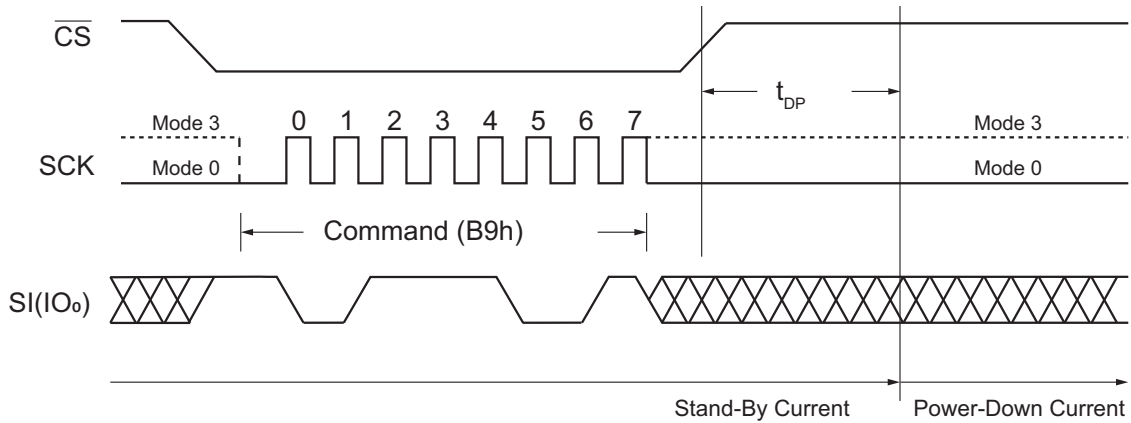


Figure 41. Deep Power-Down Command (SPI Mode)

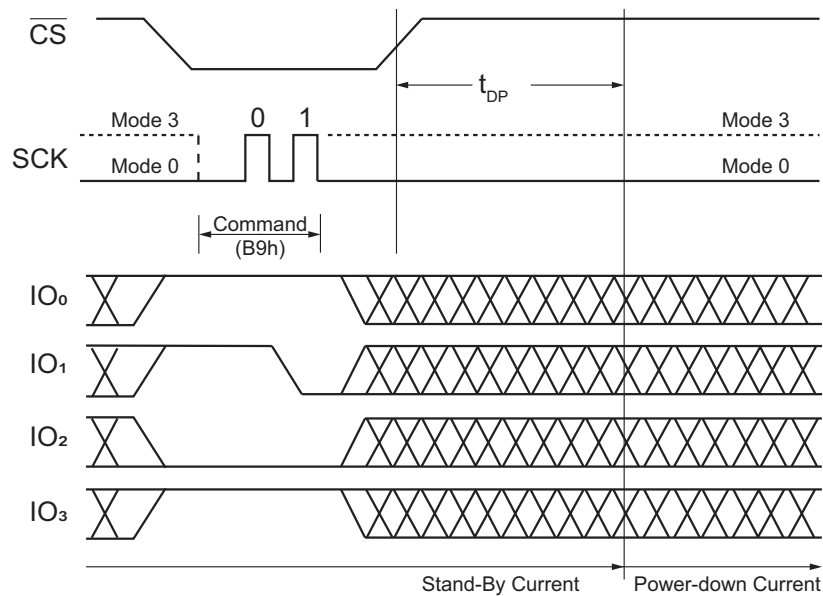


Figure 42. Deep Power-Down Command (QPI Mode)

8.24 Release Deep Power-Down / Device ID (ABh)

The Release Deep Power-Down / Device ID command is a multi-purpose command. It can be used to release the device from the Deep Power-Down state or obtain the device identification (ID).

The command is issued by driving the \overline{CS} pin low, sending the command code ABh and driving \overline{CS} high, as shown in figure Figure 43 and Figure 44. Release from Deep Power-Down require the time duration of t_{RES1} (see Section 9.6, AC Electrical Characteristics) for re-work a normal operation and accepting other commands. The \overline{CS} pin must keep high during the t_{RES1} time duration.

The Device ID can be read during SPI mode only. In other words, Device ID feature is not available in QPI mode for Release Deep Power-Down/Device ID command. To obtain the Device ID in SPI mode, command is initiated by driving the \overline{CS} pin low and sending the command code ABh with following three dummy bytes. The Device ID bits are then shifted on the falling edge of SCK with most significant bit (MSB) first, as shown in Figure 45. After \overline{CS} is driven high it must keep high for a time duration of t_{RES2} (see Section 9.6, AC Electrical Characteristics). The Device ID can be read continuously. The command is completed by driving \overline{CS} high.

If the Release from Deep Power-Down / Device ID command is issued while an Erase, Program or Write cycle is in process (when BUSY equals 1) the command is ignored and has no effect on the current cycle.

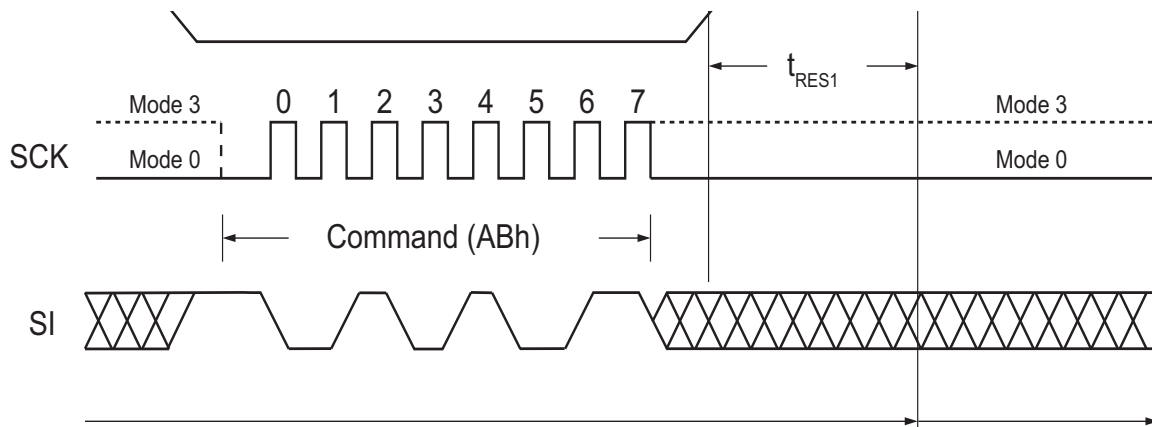


Figure 43. Release Power-Down Command (SPI Mode)

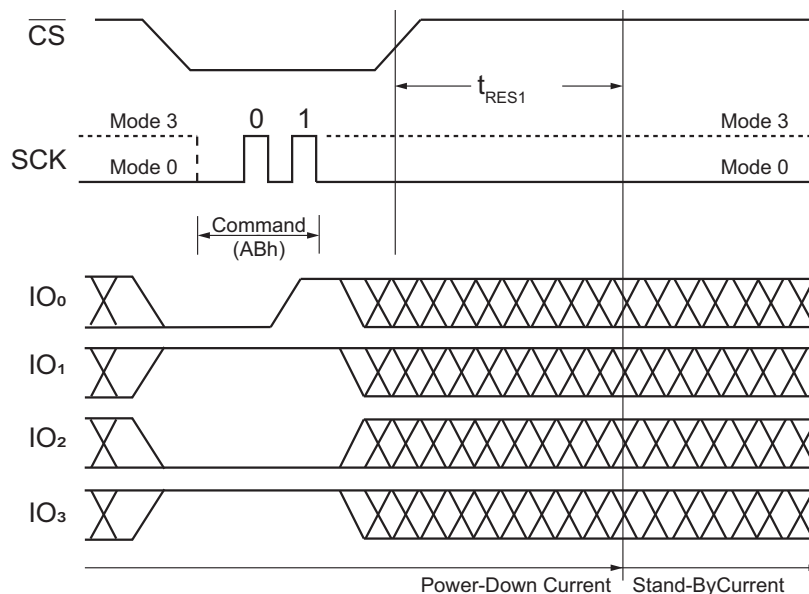


Figure 44. Release Power-Down Command (QPI Mode)

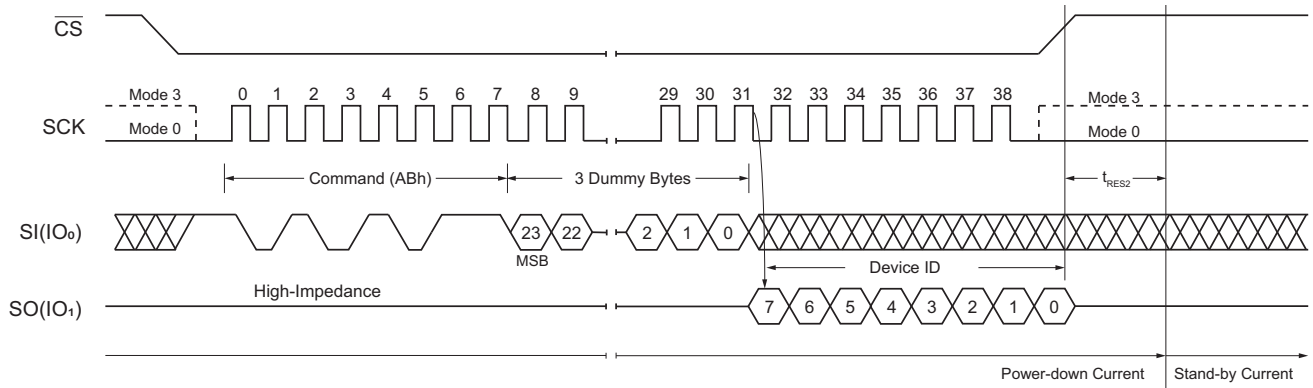


Figure 45. Release Power-Down / Device ID Command (SPI Mode)

8.25 Read Manufacturer / Device ID Dual I/O (90h)

The Read Manufacturer/ Device ID Dual I/O command provides both the JEDEC assigned manufacturer ID and the specific device ID.

The Read Manufacturer/ Device ID command is very similar to the Fast Read Dual I/O command. The command is initiated by driving the \overline{CS} pin low and shifting the command code 90h followed by a 24-bit address (A23-A0) of 000000h. After which, the Manufacturer ID for Renesas Electronics (1Fh) and the Device ID (17h) are shifted out on the falling edge of SCK with most significant bit (MSB) first, as shown in Figure 46 and Figure 47. If the 24-bit address is initially set to 000001h, the Device ID is read first and then followed by the Manufacturer ID. The Manufacturer and Device ID can be read continuously, alternating from one to the other. The command is completed by driving \overline{CS} high.

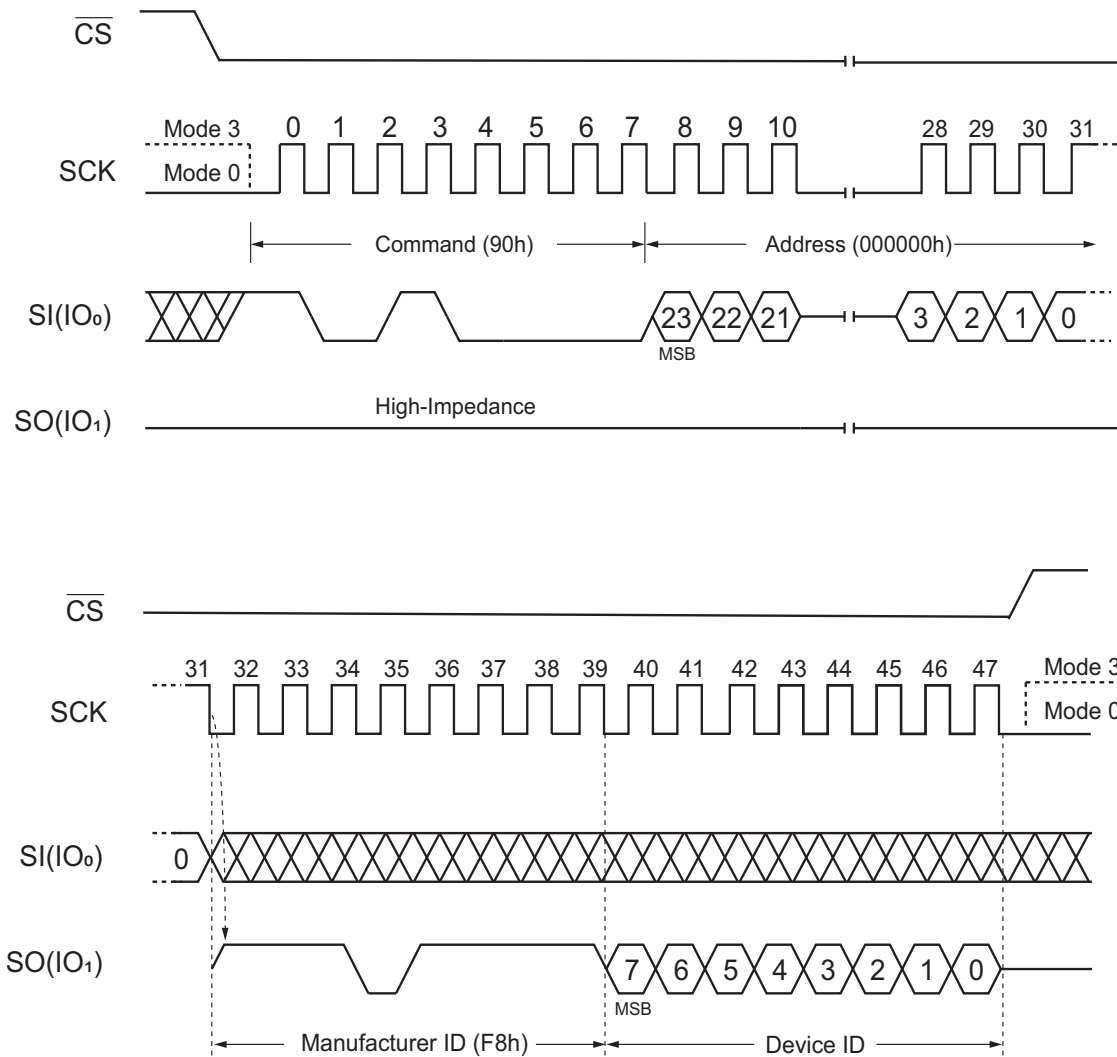


Figure 46. Read Manufacturer/ Device ID command (SPI Mode)

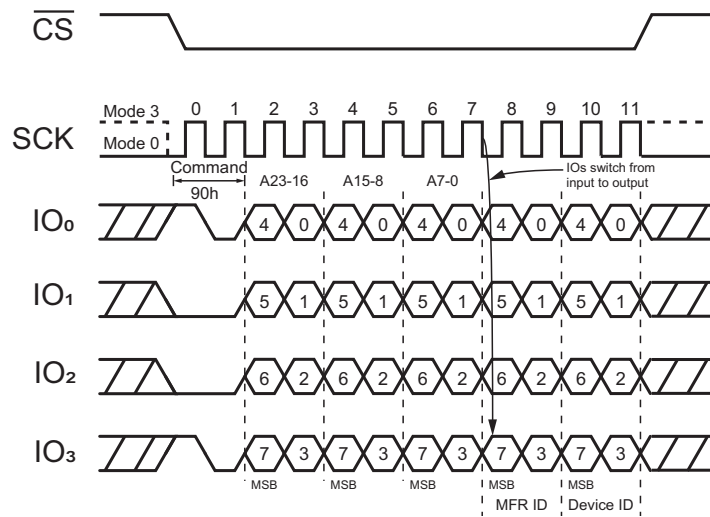


Figure 47. Read Manufacturer/ Device ID command (QPI Mode)

8.26 Read Manufacturer / Device ID Dual I/O (92h)

The Read Manufacturer/ Device ID Dual I/O command provides both the JEDEC assigned manufacturer ID and the specific device ID.

The Read Manufacturer/ Device ID command is very similar to the Fast Read Dual I/O command. The command is initiated by driving the \overline{CS} pin low and shifting the command code 92h followed by a 24-bit address (A23-A0) of 000000h. After which, the Manufacturer ID for Renesas Electronics (1Fh) and the Device ID (17h) are shifted out on the falling edge of SCK with most significant bit (MSB) first, as shown in Figure 48. If the 24-bit address is initially set to 000001h, the Device ID is read first and then followed by the Manufacturer ID. The Manufacturer and Device ID can be read continuously, alternating from one to the other. The command is completed by driving \overline{CS} high.

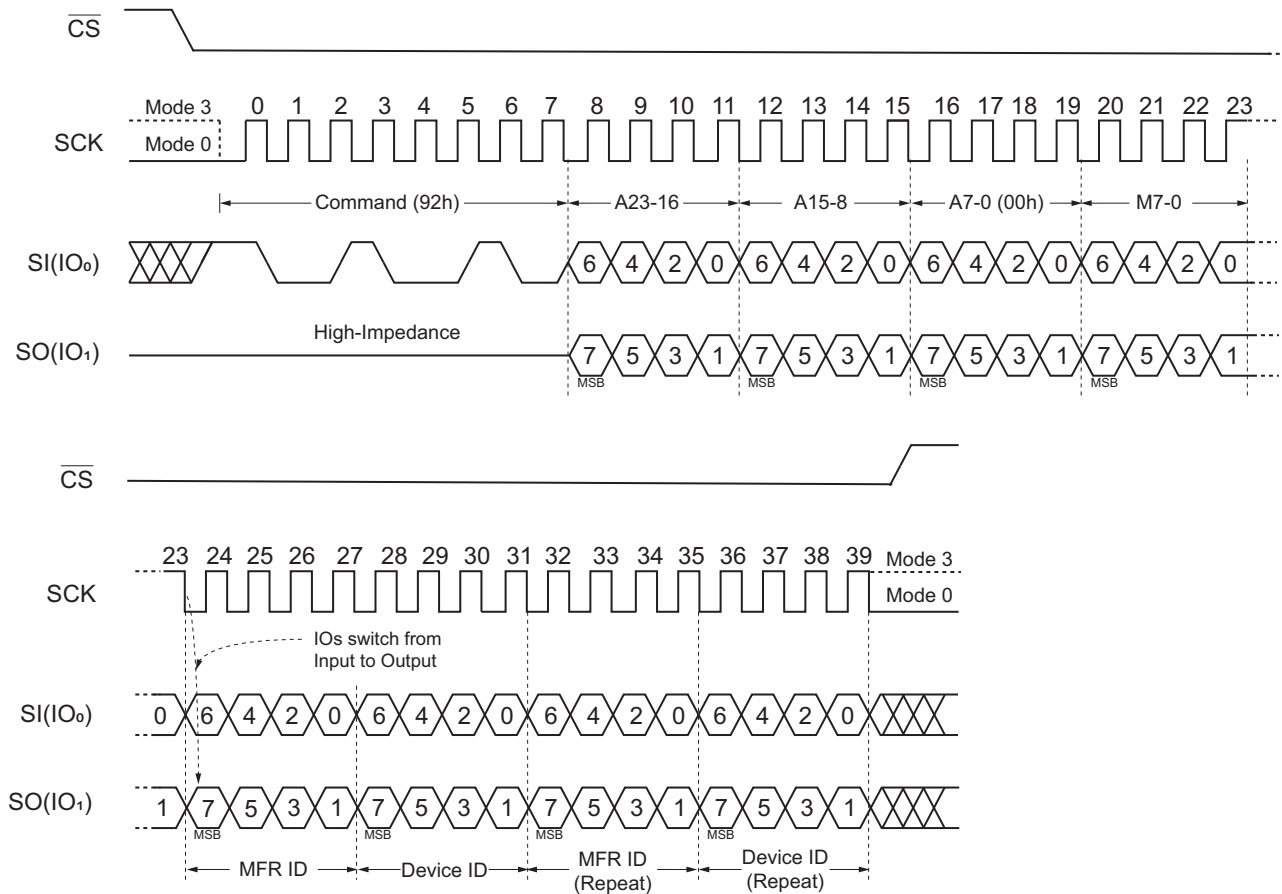


Figure 48. Read Dual Manufacturer/ Device ID Dual I/O command (SPI Mode)

8.27 Read Manufacturer / Device ID Quad I/O (94h)

The Read Manufacturer/ Device ID Quad I/O command provides both the JEDEC assigned manufacturer ID and the specific device ID.

The Read Manufacturer/ Device ID command is very similar to the Fast Read Quad I/O command. The command is initiated by driving the \overline{CS} pin low and shifting the command code 94h followed by a 24-bit address (A23-A0) of 000000h. After which, the Manufacturer ID for Renesas Electronics (1Fh) and the Device ID (17h) are shifted out on the falling edge of SCK with most significant bit (MSB) first, as shown in Figure 49. If the 24-bit address is initially set to 000001h, the Device ID is read first and then followed by the Manufacturer ID. The Manufacturer and Device ID can be read continuously, alternating from one to the other. The command is completed by driving \overline{CS} high.

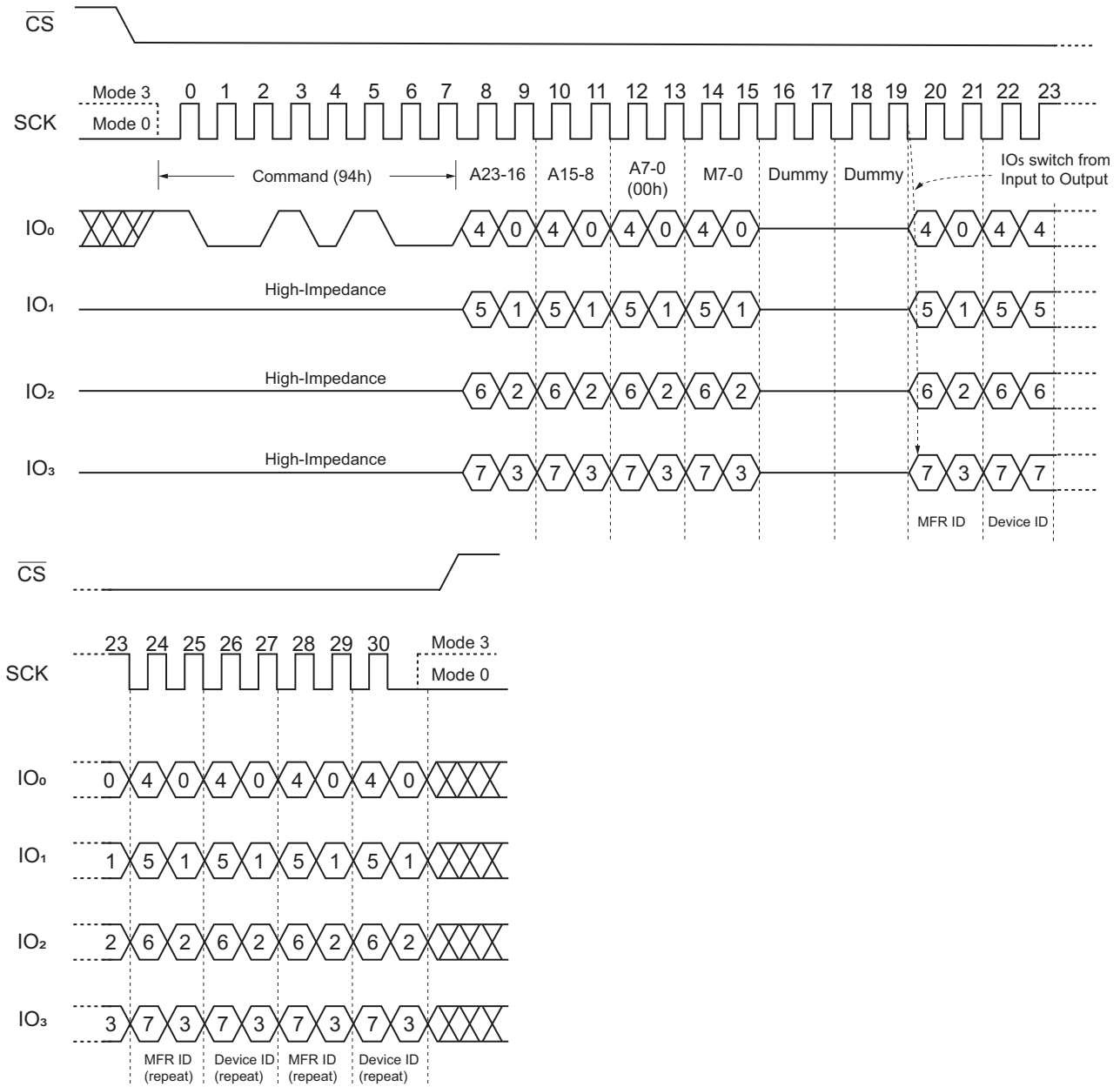


Figure 49. Read Quad Manufacturer/ Device ID Quad I/O command (SPI Mode)

8.28 JEDEC ID (9Fh)

For compatibility reasons, the AT25SL128A provides several commands to electronically determine the identity of the device. The Read JEDEC ID command is congruous with the JEDEC standard for SPI compatible serial flash memories that was adopted in 2003. The command is entered by driving the \overline{CS} pin low with following the command code 9Fh. JEDEC assigned Manufacturer ID byte for Renesas Electronics (1Fh) and two Device ID bytes, Memory Type (ID-15-ID8) and Capacity (ID7-ID0) are then shifted out on the falling edge of SCK with most significant bit (MSB) first shown in Figure 50 and Figure 51. For memory type and capacity values, see Table 7. The JEDEC ID can be read continuously. The command is terminated by driving \overline{CS} high.

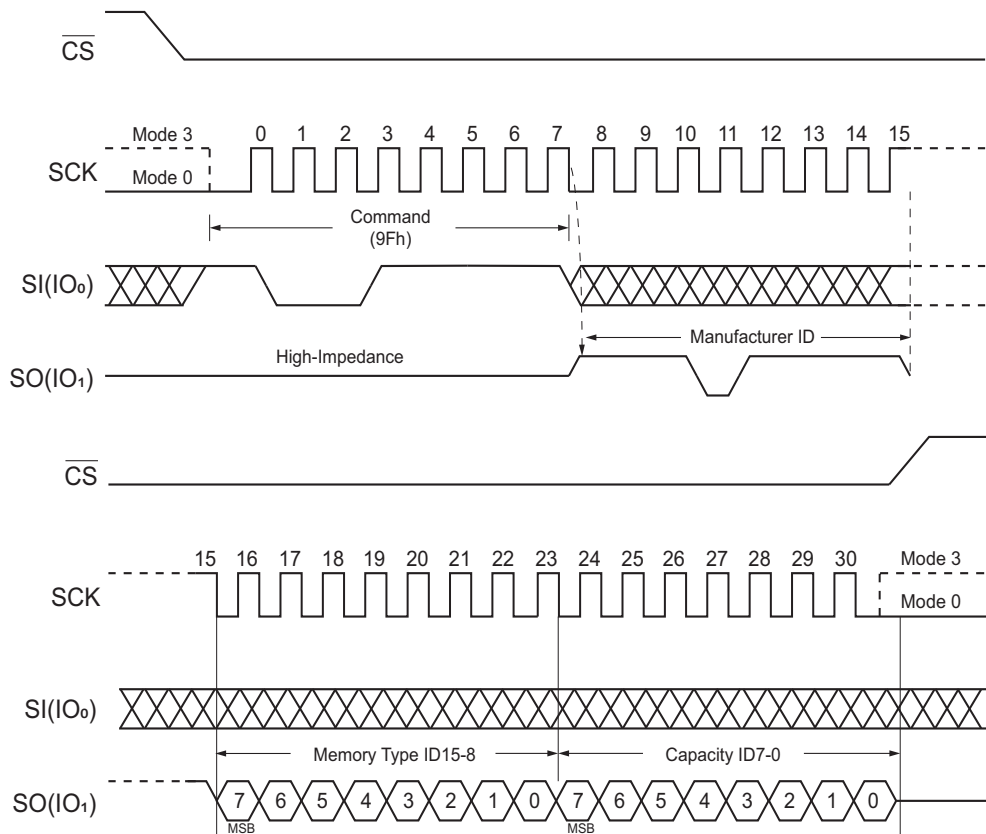


Figure 50. Read JEDEC ID command (SPI Mode)

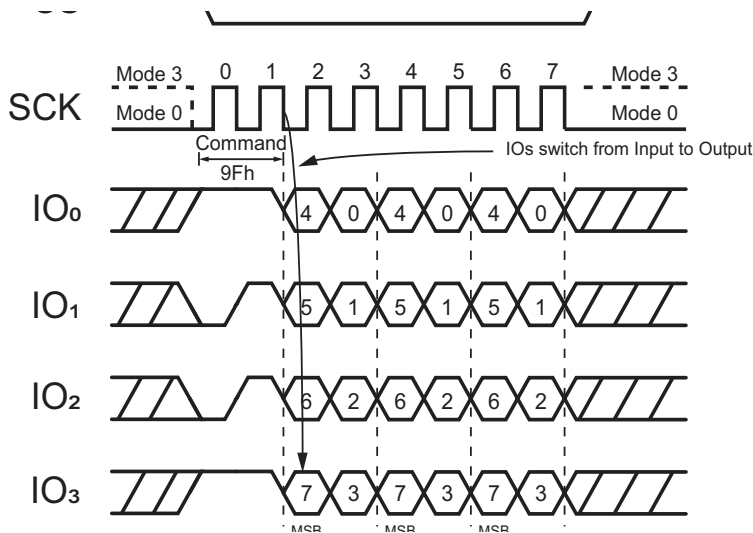


Figure 51. Read JEDEC ID command (QPI Mode)

8.29 Enable QPI (38h)

The AT25SL128A support both Standard/Dual/Quad Serial Peripheral interface (SPI) and Quad Peripheral Interface (QPI). However, SPI mode and QPI mode cannot be used at the same time. Enable QPI command is the only way to switch the device from SPI mode to QPI mode.

In order to switch the device to QPI mode, the Quad Enable (QE) bit in Status Register 2 must be set to 1 first, and an Enable QPI command must be issued. If the Quad Enable (QE) bit is 0, the Enable QPI command is ignored, and the device remains in SPI mode.

After power-up, the default state of the device is SPI mode. See the command Set [Section 8](#) for all the commands supported in SPI mode and the command Set [Section 10](#) for all the commands supported in QPI mode.

When the device is switched from SPI mode to QPI mode, the existing Write Enable and Program/Erase Suspend status, and the Wrap Length setting remains unchanged.

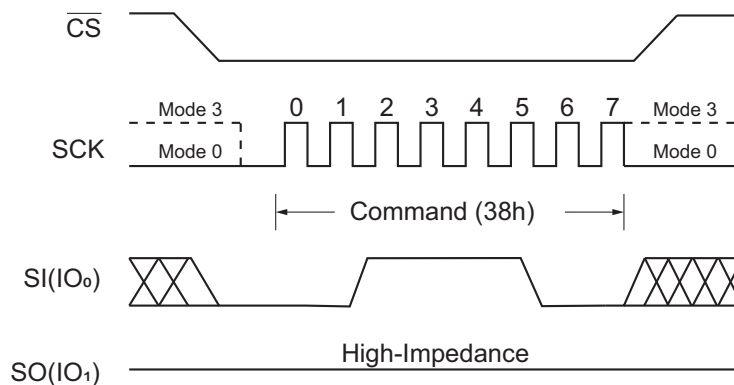


Figure 52. Enable QPI command (SPI Mode only)

8.30 Disable QPI (FFh)

By issuing Disable QPI (FFh) command, the device is reset SPI mode. When the device is switched from QPI mode to SPI mode, the existing Write Enable Latch (WEL) and Program/Erase Suspend status, and the Wrap Length setting remains unchanged.

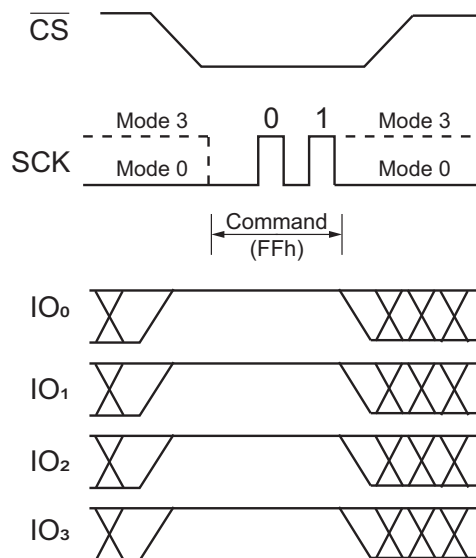


Figure 53. Disable QPI command for QPI mode

8.31 Word Read Quad I/O (E7h)

The Quad I/O dramatically reduces command overhead allowing faster random access for code execution (XIP) directly from the Quad SPI. The Quad Enable bit (QE) of Status Register-2 must be set to enable the Word Read Quad I/O command. The lowest Address bit (A0) must equal 0, and only two dummy clocks are required before the data output.

Continuous Read Mode

The Word Read Quad I/O command can further reduce command overhead through setting the Continuous Read Mode bits (M7-0) after the input Address bits (A23-0), as shown in Figure 54. The upper nibble of the (M7-4) controls the length of the next Word Read Quad I/O command through the inclusion or exclusion of the first byte command code. The lower nibble bits of the (M[3:0]) are don't care ("X"). However, the IO pins must be high-impedance before the falling edge of the first data out clock.

If the Continuous Read Mode bits $M[7:4] = Ah$, then the next Fast Read Quad I/O command (after \overline{CS} is raised and then lowered) does not require the E7h command code, as shown in Figure 55. This reduces the command sequence by eight clocks and allows the Read address to be immediately entered after \overline{CS} is asserted low. If the Continuous Read Mode bits $M[7:4]$ do not equal Ah (1010), the next command (after \overline{CS} is raised and then lowered) requires the first byte command code, thus returning to normal operation.

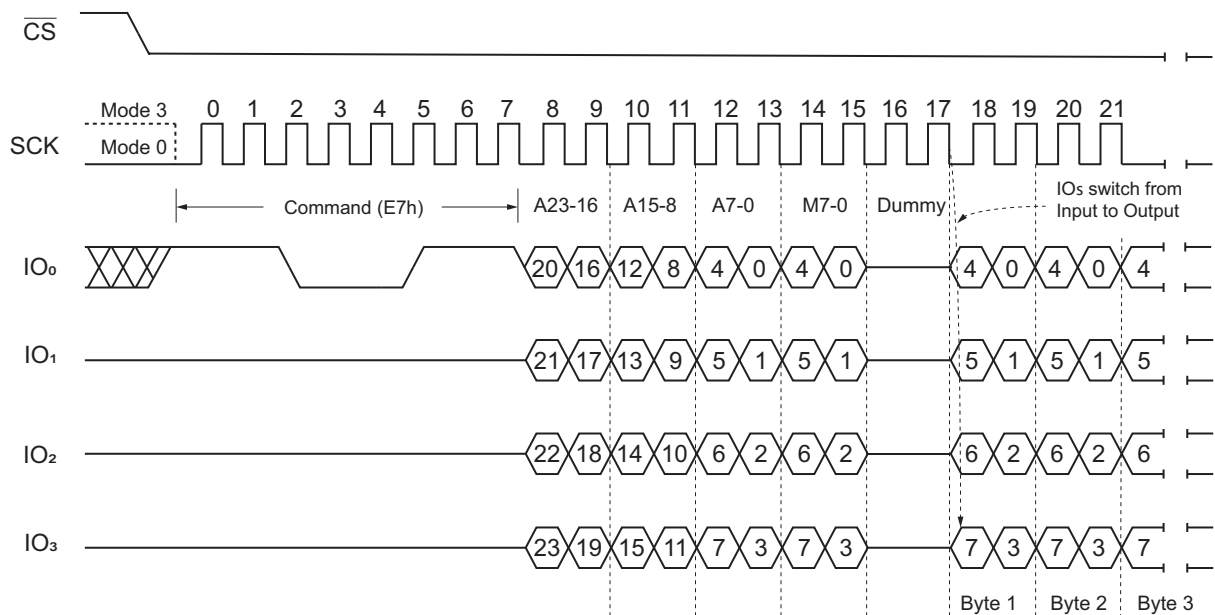


Figure 54. Word Read Quad I/O command (Initial command or previous set $M7-0 \neq Ah$, SPI Mode)

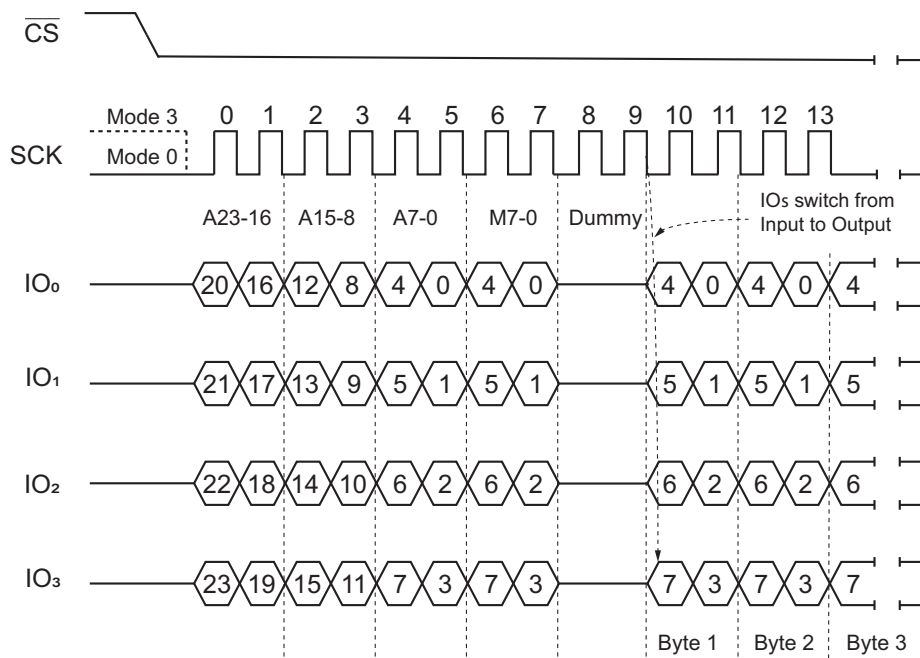


Figure 55. Word Read Quad I/O command (Previous command set M7-0 = Axh, SPI Mode)

Wrap-Around in SPI Mode

The Word Read Quad I/O command can also be used to access a specific portion within a page by issuing a Set Burst with Wrap (77h) command before E7h. The Set Burst with Wrap (77h) command can either enable or disable the Wrap Around feature for the following E7h commands. When Wrap Around is enabled, the output data starts at the initial address specified in the command, once it reaches the ending boundary of the 8-/16-/32-/64-byte section, the output wraps around to the beginning boundary automatically until \overline{CS} is pulled high to terminate the command.

The Burst with Wrap feature allows applications that use cache to quickly fetch a critical address and then fill the cache afterwards within a fixed length (8/16/32/64 bytes) of data without issuing read commands.

The Set Burst with Wrap command allows three Wrap Bits, W6-4 to be set. The W4 bit is used to enable or disable the Wrap Around operation while W6-5 is used to specify the length of the wrap around section within a page.

8.32 Set Burst with Wrap (77h)

The Set Burst with Wrap (77h) command is used in conjunction with Fast Read Quad I/O and Word Read Quad I/O commands to access a fixed length of 8/16/32/64-byte section within a 256-byte page. Certain applications can benefit from this feature and improve the overall system code execution performance. Before the device can accept the Set Burst with Wrap command, a Quad enable of Status Register-2 must be executed (Status Register bit QE must equal 1).

The Set Burst with Wrap command is initiated by driving the \overline{CS} pin low and then shifting the command code 77h followed by 24 dummy bits and 8 Wrap Bits, W7-0. The command sequence is shown in Set Burst with Wrap Command Sequence. Wrap bit W7 and W3-0 are not used.

Table 12. Encoding of W[6:4] Bits

W6, W5	W4 = 0		W4 = 1 (Default)	
	Wrap Around	Wrap Length	Wrap Around	Wrap Length
00	Yes	8-byte	No	N/A
01	Yes	16-byte	No	N/A
10	Yes	32-byte	No	N/A
11	Yes	64-byte	No	N/A

Once W6-4 is set by a Set Burst with Wrap command, the following Fast Read Quad I/O and Word Read Quad I/O commands use the W6-4 setting to access the 8/16/32/64-byte section within any page. To exit the Wrap Around function and return to normal read operation, another Set Burst with Wrap command must be issued to set W4 = 1. The default value of W4 upon power on is 1. In the case of a system Reset while W4 = 0, it is recommended that the controller issues a Set Burst with Wrap command or Reset (99h) command to reset W4 = 1 before any normal Read commands since AT25SL128A does not have a hardware Reset Pin.

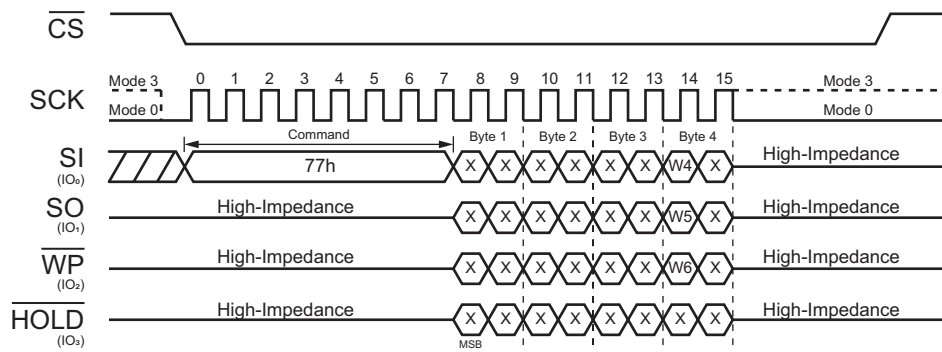


Figure 56. Set Burst with Wrap Command Sequence

8.33 Burst Read with Wrap (0Ch)

The Burst Read with Wrap (0Ch) command provides an alternative way to perform the read operation with Wrap Around in QPI mode. The command is similar to the Fast Read (0Bh) command in QPI mode, except the addressing of the read operation wraps around to the beginning boundary of the Wrap Length once the ending boundary is reached.

The Wrap Length and the number of dummy of clocks can be configured by the Set Read Parameters (C0h) command.

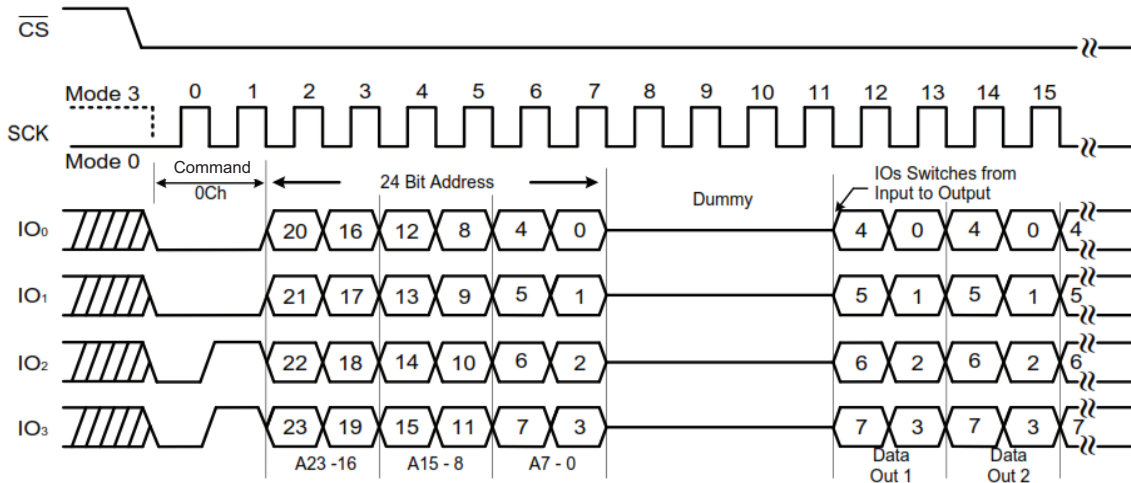


Figure 57. Burst Read with Wrap command (QPI Mode, 80MHz)

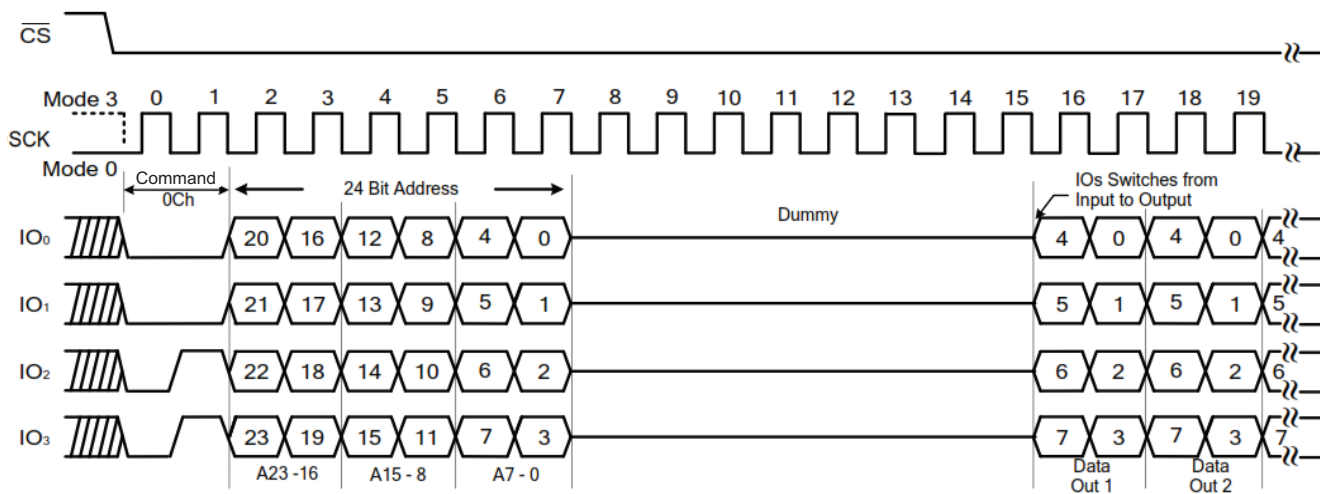


Figure 58. Burst Read with Wrap command (QPI Mode, 133 MHz)

8.34 Set Read Parameters (C0h)

In QPI mode, to accommodate a wide range of applications with different needs for either maximum read frequency or minimum data access latency, Set Read Parameters (C0h) command can be used to configure the number of dummy clocks for Fast Read (0Bh), Fast Read Quad I/O (EBh) and Burst Read with Wrap (0Ch) commands, and to configure the number of bytes of Wrap Length for the Burst Read with Wrap (0Ch) command.

In Standard SPI mode, the Set Read Parameters (C0h) command is not accepted. The dummy clocks for various Fast Read commands in Standard/Dual/Quad SPI mode are fixed, see the specific command; for details, see Section 8, Section 9, Section 10, and Section 11. The Wrap Length is set by W6-5 bit in the Set Burst with Wrap (77h) command. This setting remains unchanged when the device is switched from Standard SPI mode to QPI mode.

The default Wrap Length after a power up or a Reset command is eight bytes, the default number of dummy clocks is four.

Table 13. Encoding of P[5:4] Bits

P5, P4	Dummy Clocks	Maximum Read Frequency
00	4	80 MHz
01	4	80 MHz
10	6	104 MHz
11	8	133 MHz

Table 14. Encoding of P[1:0] Bits

P1, P0	Wrap Length
0 0	8-byte
0 1	16-byte
1 0	32-byte
1 1	64-byte

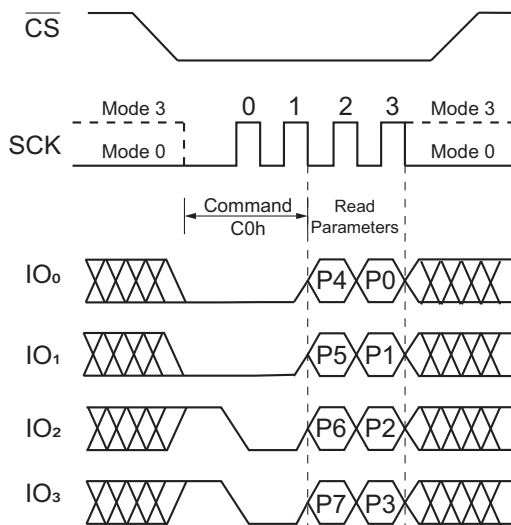


Figure 59. Set Read Parameters command (QPI Mode)

8.35 Enable Reset (66h) and Reset (99h)

For eight-pin packages, the AT25SL128A provide a software Reset command instead of a dedicated RESET pin.

Once the Reset command is accepted, any on-going internal operations are terminated and the device returns to its default power-on state and loses all the current volatile settings, such as Volatile Status Register bits, Write Enable Latch (WEL) status, Program/Erase Suspend status, Continuous Read Mode bit setting, Read parameter setting, and Wrap bit setting.

The Enable Reset (66h) and Reset (99h) commands can be issued in either SPI mode or QPI mode. To avoid accidental reset, both commands must be issued in sequence. Any other commands other than Reset (99h) after the Enable (66h) command disables the Reset Enable state. A new sequence of Enable Reset (66h) and Reset (99h) is needed to reset the device. Once the Reset command is accepted by the device, it takes approximately $t_{RST} = 30 \mu s$ to reset. During this period, no command is accepted.

Data corruption can happen if there is an on-going or suspended internal Erase or Program operation when Reset command sequence is accepted by device. Check the BUSY bit and the SUS bit in the Status Register before issuing the Reset command sequence.

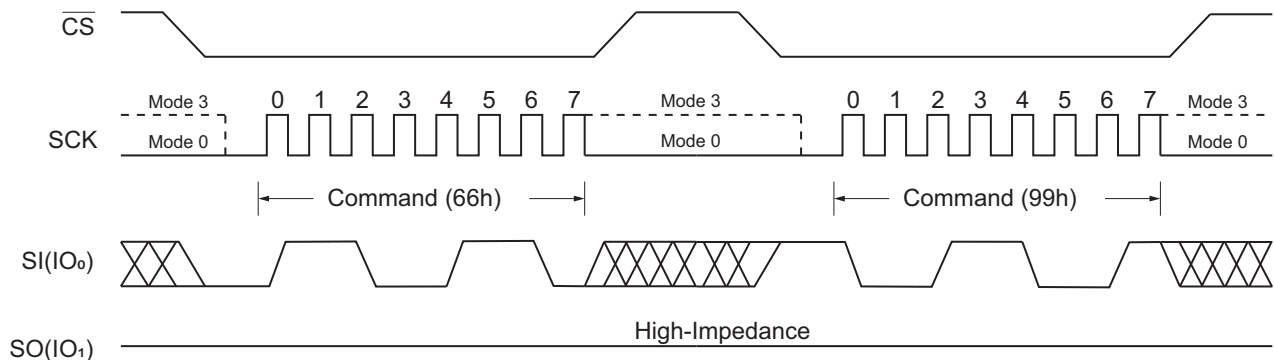


Figure 60. Enable Reset and Reset Command (SPI Mode)

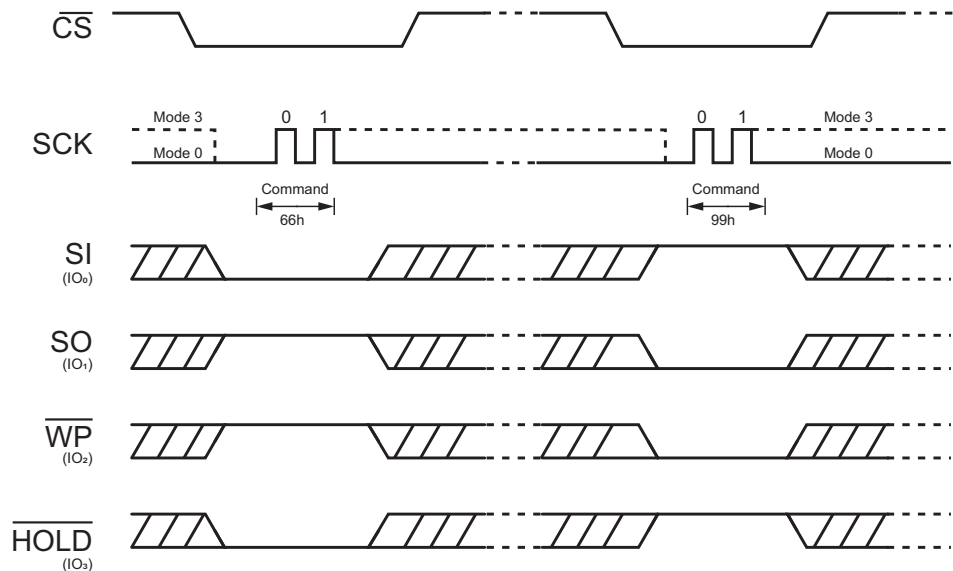


Figure 61. Enable Reset and Reset Command (QPI Mode)

8.36 Read Serial Flash Discovery Parameter (5Ah)

The Read Serial Flash Discovery Parameter (SFDP) command allows reading the Serial Flash Discovery Parameter area (SFDP). This SFDP area is composed of 2048 read-only bytes containing operating characteristics and vendor-specific information. The SFDP area is factory programmed. If the SFDP area is blank, the device is shipped with all the SFDP bytes at FFh. If only a portion of the SFDP area is written to, the portion not used is shipped with bytes in erased state (FFh). The command sequence for the read SFDP has the same structure as that of a Fast Read command. First, the device is selected by driving Chip Select (\overline{CS}) Low. Next, the 8-bit command code (5Ah) and the 24-bit address are shifted in, followed by eight dummy clock cycles. The bytes of SFDP content are shifted out on the Serial Data Output (SO) starting from the specified address. Each bit is shifted out during the falling edge of Serial Clock (SCK). The command sequence is shown below. The Read SFDP command is stopped by driving Chip Select (\overline{CS}) High at any time during data output.

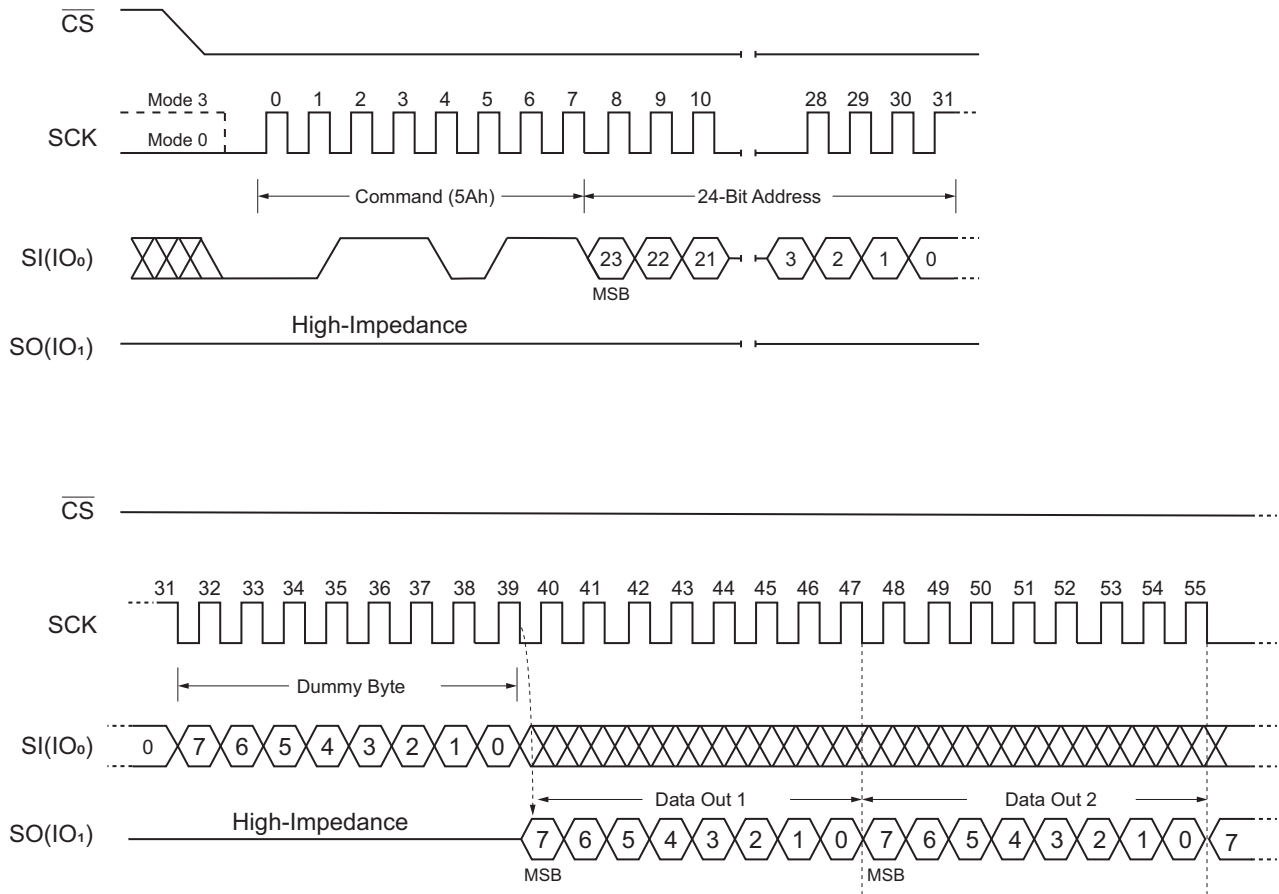


Figure 62. Read SFDP Register Command

Table 15. SFDP Signature and Headers

Description	Comment	Address Byte	Bits	Data (binary)	Data (hex)
SFDP Signature		00h	07:00	0101 0011	53h
		01h	15:08	0100 0110	46h
		02h	23:16	0100 0100	44h
		03h	31:24	0101 0110	50h
SFDP Minor Revision	Start from 00h	04h	07:00	0000 0110	06h
SFDP Major Revision	Start from 01h	05h	15:08	0000 0001	01h
Number of Parameters Headers	Start from 00h	06h	23:16	0000 0001	01h
Reserved	FFh	07h	31:24	1111 1111	FFh
JEDEC Parameter ID (LSB)	JEDEC Parameter ID (LSB) = 00h	08h	07:00	0000 0000	00h
Parameter Table Minor Revision	Start from 00h	09h	15:08	0000 0110	06h
Parameter Table Major Revision	Start from 01h	0Ah	23:16	0000 0001	01h
Parameter Table Length (double words)	How many DWORDs in the parameter table	0Bh	31:24	0001 0000	10h
Parameter Table Pointer	Address of Renesas Electronics Parameter Table	0Ch	07:00	0011 0000	30h
		0Dh	15:08	0000 0000	00h
		0Eh	23:16	0000 0000	00h
JEDEC Parameter ID (MSB)	JEDEC Parameter ID (MSB):FFh	0Fh	31:24	1111 1111	FFh
JEDEC Parameter ID (LSB)	Renesas Electronics Manufacturer ID	10h	07:00	0001 1111	1Fh
Parameter Table Minor Revision	Start from 00h	11h	15:08	0000 0000	00h
Parameter Table Major Revision	Start from 01h	12h	23:16	0000 0001	01h
Parameter Table Length (double words)	How many DWORDs in the parameter table	13h	31:24	0000 0010	02h
Parameter Table Pointer (PTP)	Address of Renesas Electronics Parameter Table	14h	07:00	1000 0000	80h
		15h	15:08	0000 0000	00h
		16h	23:16	0000 0000	00h
Reserved	FFh	17h	31:24	0000 0001	01h

Table 16. SFDP Parameters Table 1

Description	Comment	Address Byte	Bits	Data (binary)	Data (hex)		
Erase Granularity	01: 4 kB available 11: 4 kB not available	30h	01:00	01	E5h		
Write Granularity	0: 1 Byte 1: 64 bytes or larger		02	1			
Volatile Status Register Block Protect Bits	0: Nonvolatile status bit 1: Volatile status bit		03	0			
Volatile Status Register Write Enable Opcode	0: 50h Opcode to enable, if bit 3 = 1		04	0			
Reserved			07:05	111			
4 kB Erase Opcode	Opcode or FFh	31h	15:08	0010 0000	20h		
Fast Dual Read Output (1 -1 -2)	0: Not supported, 1: Supported	32h	16	1	F1h		
Number of Address Bytes	00: 3 Byte only 01: 3 or 4 Byte 10: 4 Byte only 11: Reserved		18:17	00			
Double Transfer Rate (DTR) Clocking	0: Not supported, 1: Supported		19	0			
Fast Dual I/O Read (1-2- 2)	0: Not supported, 1: Supported		20	1			
Fast Quad I/O Read (1-4-4)	0: Not supported, 1: Supported		21	1			
Fast Quad Output Read (1-1-4)	0: Not supported, 1: Supported		22	1			
Reserved	FFh		23	1			
Reserved	FFh		33h	31:24		1111 1111	FFh
Flash Memory Density			34h	07:00		1111 1111	FFh
		35h	15:08	1111 1111	FFh		
		36h	23:16	1111 1111	FFh		
		37h	31:24	0000 0111	07h		
Fast Quad I/O (1-4-4) Number of dummy clocks	Number of dummy clocks	38h	04:00	00100	44h		
Fast Quad I/O (1-4-4) Number of mode bits	Number of mode bits		07:05	010			
Fast Quad I/O (1-4-4) Read Opcode	Opcode or FFh	39h	15:08	1110 1011	EBh		
Fast Quad Output (1-1-4) Number of dummy clocks	Number of dummy clocks	3Ah	20:16	01000	08h		
Fast Quad Output (1-1-4) Number of mode bits	Number of mode bits		23:21	000			
Fast Quad Output (1-1-4) Read Opcode	Opcode or FFh	3Bh	31:24	0110 1011	6Bh		
Fast Dual Output (1-1-2) Number of dummy clocks	Number of dummy clocks	3Ch	04:00	01000	08h		
Fast Dual Output (1-1-2) Number of mode bits	Number of mode bits		07:05	000			
Fast Dual Output (1-1-2) Read Opcode	Opcode or FFh	3Dh	15:08	0011 1011	3Bh		

Table 16. SFDP Parameters Table 1 (Continued)

Description	Comment	Address Byte	Bits	Data (binary)	Data (hex)
Fast Dual I/O (1-2-2) Number of dummy clocks	Number of dummy clocks	3Eh	20:16	00000	80h
Fast Dual I/O (1-2-2) Number of mode bits	Number of mode bits		23:21	100	
Fast Dual I/O (1-2-2) Read Opcode	Opcode or FFh	3Fh	31:24	1011 1011	BBh
Fast Dual DPI (2-2-2)	0: Not supported, 1: Supported	40h	0	0	FEh
Reserved	FFh		03:01	111	
Fast Quad QPI (4-4-4)	0: Not supported, 1: Supported		04	1	
Reserved	FFh		07:05	111	
Reserved	FFh	41h	15:08	1111 1111	FFh
Reserved	FFh	42h	23:16	1111 1111	FFh
Reserved	FFh	43h	31:24	1111 1111	FFh
Reserved	FFh	44h	07:00	1111 1111	FFh
Reserved	FFh	45h	15:08	1111 1111	FFh
Fast Dual DPI (2-2-2) Number of dummy clocks	Number of dummy clocks	46h	20:16	0 0000	00h
Fast Dual DPI (2-2-2) Number of mode bits	Number of mode bits		23:21	000	
Fast Dual DPI(2-2-2) Read Opcode	Opcode or FFh	47h	31:24	1111 1111	FFh
Reserved	FFh	48h	07:00	1111 1111	FFh
Reserved	FFh	49h	15:08	1111 1111	FFh
Fast Quad QPI (4-4-4) Number of dummy clocks	Number of dummy clocks	4Ah	20:16	00010	42h
Fast Quadl QPI (4-4-4) Number of mode bits	Number of mode bits		23:21	010	
Fast Quad QPI(4-4-4) Read Opcode	Opcode or FFh	4Bh	31:24	1110 1011	EBh
Erase type-1 Size	4 kB = 2^0Ch 32 kB = 2^0Fh 64 kB = 2^10h; (2^Nbyte)	4Ch	07:00	0000 1100	0Ch
Erase type-1 Opcode	Opcode or FFh	4Dh	15:08	0010 0000	20h
Erase type-2 Size	4 kB = 2^0Ch 32 kB = 2^0Fh 64 kB = 2^10h; (2^Nbyte)	4Eh	23:16	0000 1111	0Fh
Erase type-2 Opcode	Opcode or FFh	4Fh	31:24	0101 0010	52h
Erase Type-3 Size	4 kB = 2^0Ch 32 kB = 2^0Fh 64 kB = 2^10h; (2^Nbyte)	50h	07:00	0001 0000	10h
Erase Type-3 Opcode	Opcode or FFh	51h	15:08	1101 1000	D8h
Erase Type-4 Size	4 kB = 2^0Ch 32 kB = 2^0Fh 64 kB = 2^10h; (2^Nbyte)	52h	23:16	0000 0000	00h
Erase Type-4 Opcode	Opcode or FFh	53h	31:24	1111 1111	FFh

Table 16. SFDP Parameters Table 1 (Continued)

Description	Comment	Address Byte	Bits	Data (binary)	Data (hex)
Erase Maximum/Typical Ratio	Maximum = 2 * (COUNT + 1) * Typical	54h 55h 56h 57h	03:00	0011	33h 62h D5h 00h
Erase type-1 Typical time	Count or 00h		08:04	0 0011	
Erase type-1 Typical units	00b: 1ms 01b: 16ms 10b: 128ms 11b: 1s		10:09	01	
Erase type-2 Typical time	Count or 00h		15:11	0110 0	
Erase type-2 Typical units	00b: 1ms 01b: 16ms 10b: 128ms 11b: 1s		17:16	01	
Erase type-3 Typical time	Count or 00h		22:18	101 01	
Erase type-3 Typical units	00b: 1ms 01b: 16ms 10b: 128ms 11b: 1s		24:23	01	
Erase type-4 Typical time	Count or 00h		29:25	00 000	
Erase type-4 Typical units	00b: 1ms 01b: 16ms 10b: 128ms 11b: 1s		31:30	00	
Program Maximum/Typical Ratio	Maximum = 2 * (COUNT + 1) * Typical	58h	03:00	0100	84h
Page Size	2^N bytes		07:04	1000	
Program Page Typical time	Count or 00h	59h 5Ah 5Bh	12:08	0 1001	29h 01h CEh
Program Page Typical units	0: 8μs, 1: 64μs		13	1	
Program Byte Typical time, 1st byte	Count or 00h		17:14	01 00	
Program Byte Typical units, 1st byte	0: 1μs, 1: 8μs		18	0	
Program Additional Byte Typical time	Count or 00h		22:19	000 0	
Program Additional Byte Typical units	0: 1μs, 1: 8μs		23	0	
Erase Chip Typical time	Count or 00h		28:24	0 1110	
Erase Chip Typical units	00b: 16ms 01b: 256ms 10b: 4s 11b: 64s		30:29	10	
Reserved	1h		31	1	
Prohibited Op during Program Suspend	See datasheet.	5Ch	03:00	11010	ECh
Prohibited Op during Erase Suspend	See datasheet.		07:04	1110	

Table 16. SFDP Parameters Table 1 (Continued)

Description	Comment	Address Byte	Bits	Data (binary)	Data (hex)
Reserved	1h	5Dh 5Eh 5Fh	08	1	A1h 07h 3Dh
Program Resume to Suspend time	Count of 64 μ s		12:09	0 000	
Program Suspend Maximum time	Count or 00h		17:13	11 101	
Program Suspend Maximum units	00b: 128ns, 01b: 1 μ s, 10b: 8 μ s, 11b: 64 μ s		19:18	01	
Erase Resume to Suspend time	Count of 64 μ s		23:20	0000	
Erase Suspend Maximum time	Count or 00h		28:24	1 1101	
Erase Suspend Maximum units	00b: 128ns, 01b: 1 μ s, 10b: 8 μ s, 11b: 64 μ s		30:29	01	
Suspend / Resume supported	0: Program and Erase suspend supported 1: not supported		31	0	
Program Resume Opcode	Opcode or FFh	60h	7:0	0111 1010	7Ah
Program Suspend Opcode	Opcode or FFh	61h	15:8	0111 0101	75h
Resume Opcode	Opcode or FFh	62h	23:16	0111 1010	7Ah
Suspend Opcode	Opcode or FFh	63h	31:24	0111 0101	75h
Reserved	11b	64h	01:00	11	F7h
Status Register Busy Polling	xxxxx1b: Opcode = 05h, bit 0 = 1 Busy, xxxx1xb: Opcode = 70h, bit 7 = 0 Busy, Others: reserved		07:02	1111 01	
Exit Deep Power-down time	Count or 00h	65h 66h 67h	12:08	0 0010	A2h D5h 5Ch
Exit Deep Power-down units	00b: 128ns, 01b: 1 μ s, 10b: 8 μ s, 11b: 64 μ s		14:13	01	
Exit Deep Power-down Opcode	Opcode or FFh		22:15	101 0101 1	
Enter Deep Power-down Opcode	Opcode or FFh		30:23	101 1100 1	
Deep Power-down Supported	0: Deep Power-down supported, 1: not supported		31	0	
Disable 4-4-4 Read Mode		68h 69h 6Ah	03:00	1001	19h F6h 1Ch
Enable 4-4-4 Read Mode			08:04	0 0001	
Fast Quad I/O Continuous (0-4-4) supported	0: not supported, 1: Quad I/O 0-4-4 supported		09	1	
Fast Quad I/O Continuous (0-4-4) Exit			15:10	1111 01	
Fast Quad I/O Continuous (0-4-4) Enter			19:16	1100	
Quad Enable Requirements (QER)			22:20	001	
HOLD or RESET Disable	0: not supported, 1: use Configuration register bit 4		23	0	
Reserved	FFh	6Bh	31:24	1111 1111	FFh

Table 16. SFDP Parameters Table 1 (Continued)

Description	Comment	Address Byte	Bits	Data (binary)	Data (hex)
Status Register Opcode		6Ch	06:00	110 1000	E8h
Reserved	1h		07	1	
Soft Reset Opcodes		6Dh	13:08	01 0000	10h C0h
4-Byte Address Exit		6Eh	23:14	1100 0000 00	
4-Byte Address Enter		6Fh	31:24	1000 0000	80h

Table 17. SFDP Parameters Table 2

Description	Comment	Address (h) Byte	Bits	Data (b) (Bit)	Data (h) (Byte)
VCC Minimum Voltage	1650h: 1.65 V, 1700h: 1.70 V, 2300h: 2.30 V, 2500h: 2.50 V, 2700h: 2.70 V	80h 81h	15:0	0000 0000 0001 0111	00h 17h
VCC Maximum Voltage	1950h: 1.95 V, 3600h: 3.60 V, 4000h: 4.00 V, 4400h: 4.40 V	82h/83h	31:16	0000 0000 0010 0000	00h 20h
Array Protection Method	10b: use non-volatile status register	84h 85h	01:00	00	00h 00h
Power up Protection default	0: power up unprotected 1: power up protected		02	0	
Protection Disable Opcodes	011b: use status register		05:03	000	
Protection Enable Opcodes	011b: use status register		08:06	0 00	
Protection Read Opcodes	011b: use status register		11:09	000	
Protection Register Erase Opcode	00b: not supported, 01b: Opcodes 3Dh, 2Ah, 7Fh, CFh,		13:12	00	
Protection Register Program Opcode	00b: not supported 01b: Opcodes 3Dh, 2Ah, 7Fh, FCh		15:14	00	
Reserved	FFh	86h	23:16	1111 1111	FFh
Reserved	FFh	87h	31:24	1111 1111	FFh
Reserved	FFh	88h - FFh			Reserved

8.37 Enter Secured OTP (B1h)

The Enter Secured OTP command is for entering the additional 4-kbit secured OTP mode. The additional 4-kbit secured OTP is independent from main array, which can be used to store unique serial number for system identifier. After entering the secured OTP mode, and then follow standard read or program, procedure to read out the data or update data. The secured OTP data cannot be updated again once it is locked down.

Please note that Write Status Register-1, Write Status Register-2, and Write Security Register commands are not acceptable during the access of secure OTP region. Once security OTP is locked down, only commands related with read are valid. The Enter Secured OTP command sequence is shown in Figure 63.

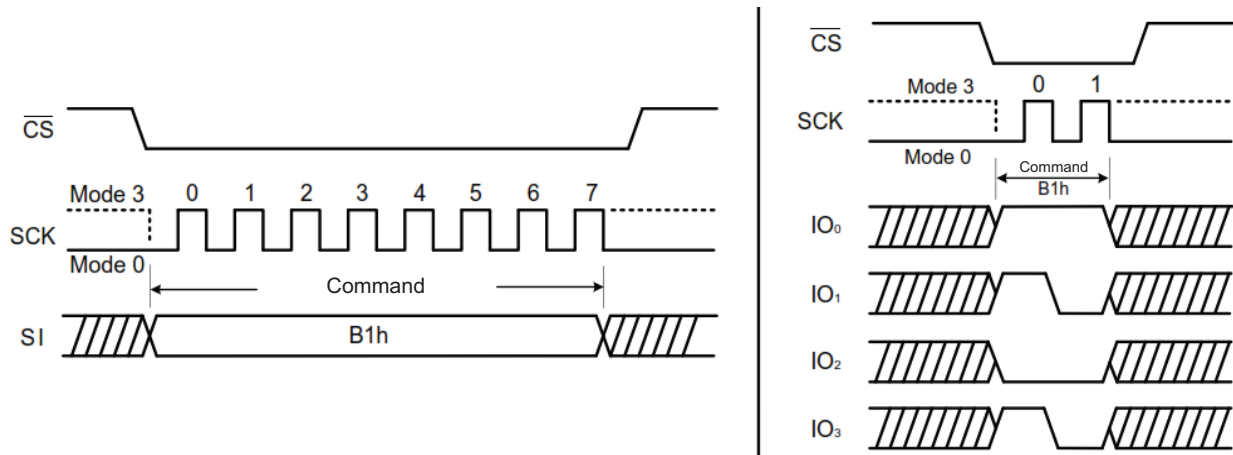


Figure 63. Enter Secured OTP command for SPI Mode (left) and QPI Mode (right)

8.38 Exit Secured OTP (C1h)

The Exit Secured OTP command is for exiting the additional 4 kbit secured OTP mode. (See Figure 64.)

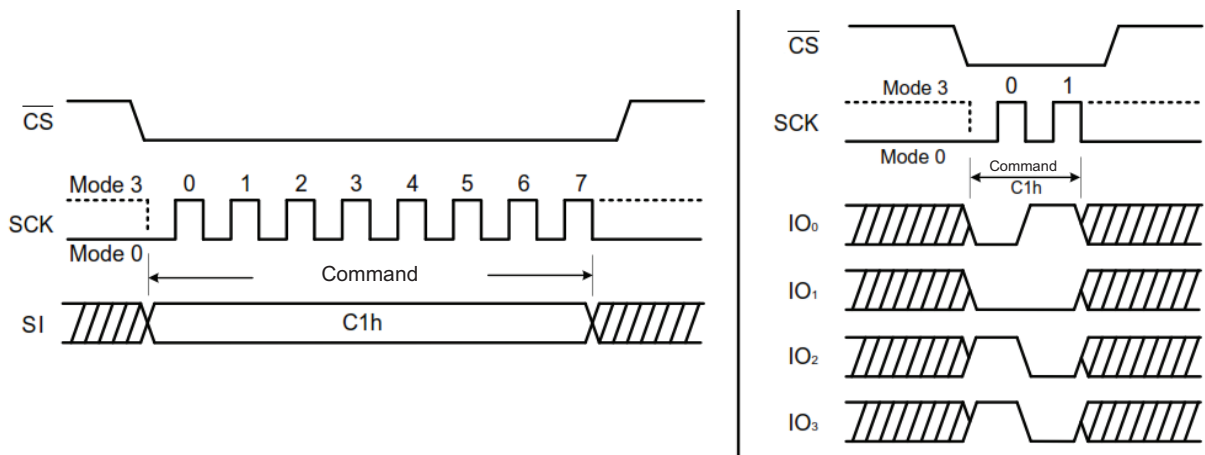


Figure 64. Exit Secured OTP command for SPI Mode (left) and QPI Mode (right)

8.39 Read Security Register (2Bh)

The Read Security Register can be read the value of Security Register bits at any time (even in program/erase/write status register-1 and write status register-2 condition) and continuously.

Secured OTP Indicator bit. The Secured OTP indicator bit shows the chip is locked by factory before ex-factory or not. When it is 0, it indicates non-factory lock, 1 indicates factory-lock.

Lock-Down Secured OTP (LDSO) bit. By writing Write Security Register command, the LDSO bit can be set to 1 for customer lock-down purpose. However, once the bit is set to 1 (Lock-down), the LDSO bit and the 4-kbit secured OTP area cannot be updated any more. While it is in 4-kbit secured OTP mode, array access is not allowed to write.

Table 18. Security Register Bit Assignments

Bit7	Bit6	Bit5	Bit4	Bit3	Bit2	Bit1	Bit0
x	x	x	x	x	x	LDSO (indicate if lock- down)	Secured OTP indicator bit
Reserved	Reserved	Reserved	Reserved	Reserved	Reserved	0: no lock down 1: lock- down (cannot program/erase OTP)	0: non factory lock 1: factory lock
Volatile	Volatile	Volatile	Volatile	Volatile	Volatile	Non Volatile	Non-Volatile

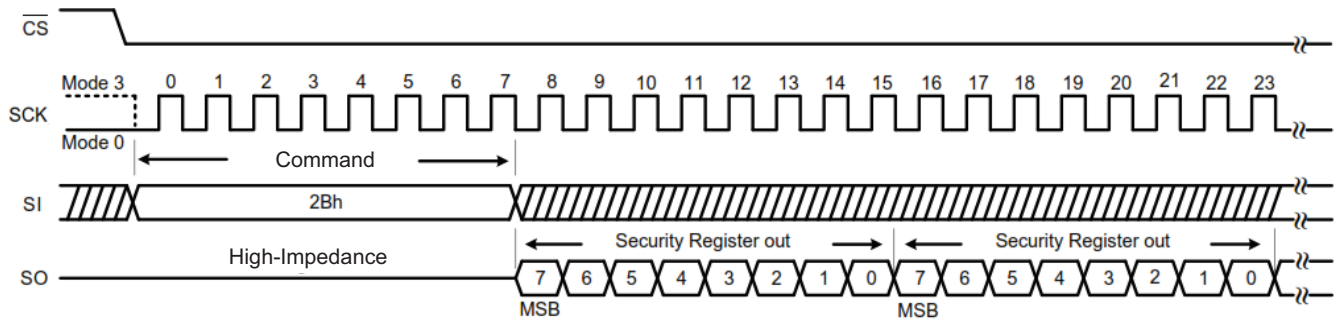


Figure 65. Read Security Register command (SPI Mode)

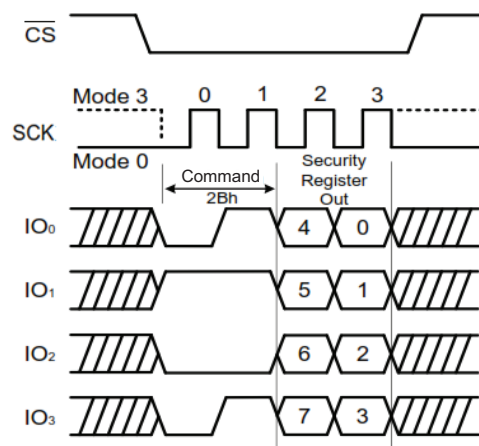


Figure 66. Read Security Register command (QPI Mode)

8.40 Write Security Register (2Fh)

The Write Security Register command is for changing the values of Security Register bits. Unlike Write Status Register, the Write Enable command is not required before writing Write Security Register command. The Write Security Register command can change the value of bit1 (LDSO bit) for customer to lock-down the 4-kbit secured OTP area. Once the LDSO bit is set to 1, the secured OTP area cannot be updated any more.

The \overline{CS} must go high exactly at the boundary; otherwise, the command is rejected and not executed.

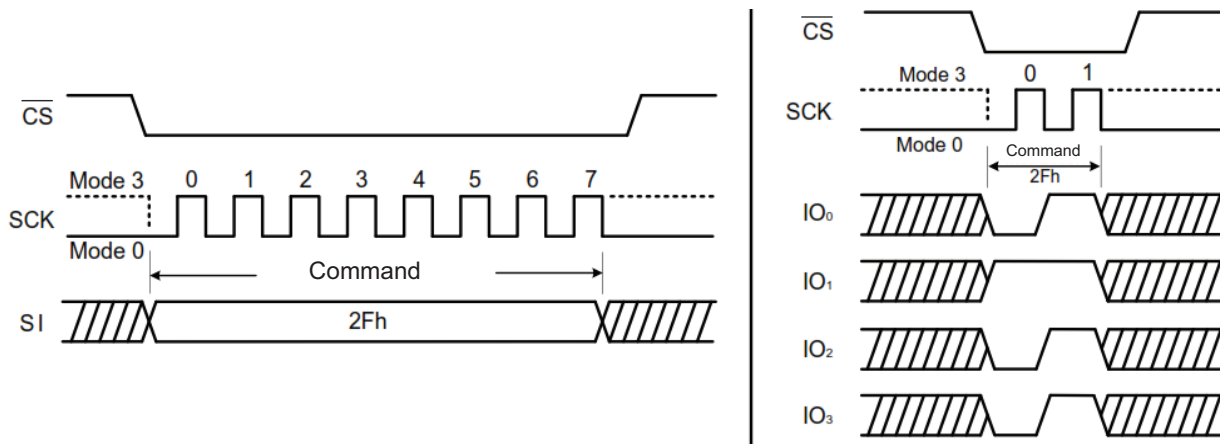


Figure 67. Write Security Register command for SPI Mode (left) and QPI Mode (right)

8.41 4-kbit Secured OTP

This unique identifier provides a 4-kbit one-time-program area for setting device unique serial number that can be set by factory or system customer. See Table 19.

- Security register bit 0 indicates whether the chip is locked by factory or not.
- Program the 4-kbit secured OTP by entering 4-kbit secured OTP mode (with ENSO command) and going through the normal program procedure, then exiting the 4-kbit secured OTP mode by writing the EXSO command.
- The customer can lock-down bit1 as 1. See Table 18 for the security register bit definition, and Table 19 for the address range definition.

Note: Once locked-down by factory or customer, it cannot be changed. While in 4-kbit secured OTP mode, array access is not allowed to write.

Table 19. Addressing of Secured OTP Area

Address Range	Size	Standard	Customer Lock
000000 ~ 00000F	128 bits	ESN (Electrical Serial Number)	Determined by customer
000010 ~ 0001FF	3,968 bits	N/A	

9. Electrical Characteristics

Table 20. Electrical Characteristics

Parameter	Symbol	Conditions	Range	Unit
Supply Voltage	VCC		-0.6 to VCC+0.4	V
Voltage Applied to Any Pin	VIO	Relative to Ground	-0.6 to VCC +0.4	V
Transient Voltage on any Pin	VIOT	<20 ns Transient Relative to Ground	-1.0 V to VCC +1.0 V	V
Storage Temperature	TSTG		-65 to +150	°C
Lead Temperature	TLEAD		See Note ⁽²⁾	°C
Electrostatic Discharge Voltage	VESD	Human Body Model ⁽³⁾	-2000 to +2000	V

Notes:

- Stresses beyond those listed under Absolute Maximum Ratings can cause permanent damage to the device. The Absolute Maximum Ratings are stress ratings only, and functional operation of the device at these or any other conditions beyond those indicated in the operational sections of this specification is not implied. Exposure to absolute maximum rating conditions for extended periods can affect device reliability. Voltage extremes referenced in the Absolute Maximum Ratings are intended to accommodate short duration undershoot/overshoot conditions and does not imply or guarantee functional device operation at these levels for any extended period of time.
- Compliant with JEDEC Standard J-STD-20C for small body Sn-Pb or Pb-free (Green) assembly and the European directive on restrictions on hazardous substances (RoHS) 2002/95/EU.
- JEDEC Std JESD22-A114A (C1 = 100 pF, R1 = 1500 ohms, R2 = 500 ohms).

9.1 Operating Ranges

Table 21. Operating Ranges

Parameter	Symbol	Conditions	Min	Max	Unit
Supply Voltage	VCC	$f_R = 133$ MHz (Single/Dual/Quad SPI) $f_R = 50$ MHz (Read Data 03h)	1.7	2.0	V
Ambient Operating Temperature	T _A	Industrial	-40	+85	°C

9.2 Endurance and Data Retention

Table 22. Endurance and Data Retention

Parameter	Condition	Min	Max	Unit
Erase/Program Cycles	4-kB block, 32-/64-kB block or full chip	100,000		Cycles
Data Retention	Full temperature range		20	Years

9.3 Power-Up Timing and Write Inhibit Threshold

Table 23. Power-up and Write Inhibit Threshold

Parameter	Symbol	Min	Max	Unit
VCC (min) to \overline{CS} Low	t_{VSL}^1	15		μs
Time Delay Before Write Command	t_{PUW}^1	1	10	ms
Write Inhibit Threshold Voltage	V_{WI}^1	1.0	1.4	V

1. These parameters are characterized at -10C & +85C only

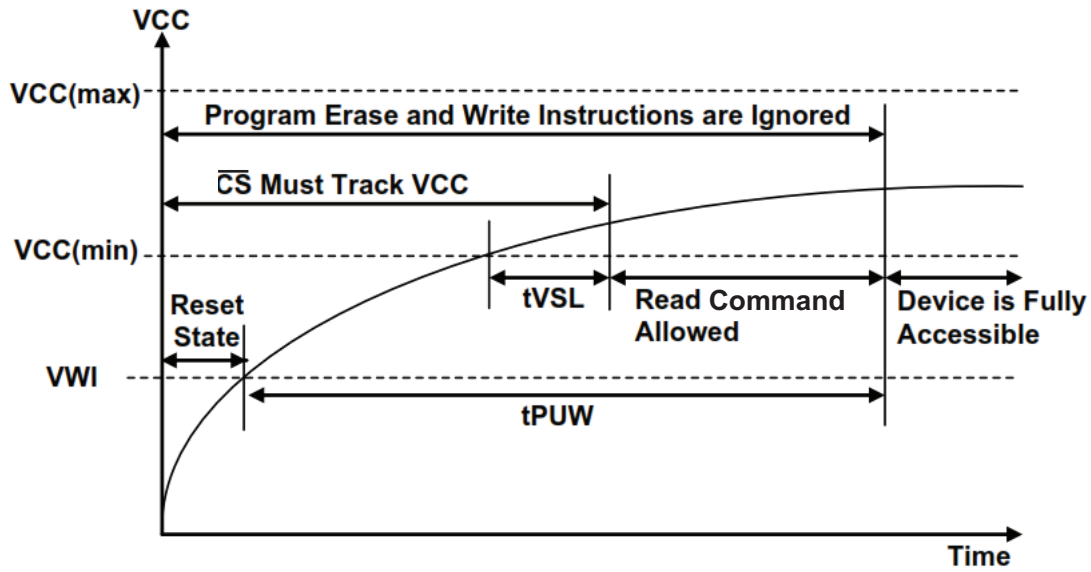


Figure 68. Power-Up Timing and Voltage Levels

9.4 DC Electrical Characteristics

Table 24. DC Electrical Characteristics

Parameter	Symbol	Condition	Min	Typ	Max	Unit
Input Capacitance	C_{IN}^1	$V_{IN} = 0\text{ V}^2$			6	pF
Output Capacitance	C_{OUT}^1	$V_{OUT} = 0\text{ V}^2$			8	pF
Input Leakage	I_{LI}				±2	μA
I/O Leakage	I_{LO}				±2	μA
Standby Current	I_{CC1}^3	$\overline{CS} = V_{CC}$, $V_{IN} = \text{GND or } V_{CC}$		10	70	μA
Power-Down Current	I_{CC2}	$\overline{CS} = V_{CC}$, $V_{IN} = \text{GND or } V_{CC}$		2	20	μA
Current Read Data/ Dual/Quad 1 MHz ⁽²⁾	I_{CC3}	$C = 0.1\text{ VCC} / 0.9\text{ V}_{CC}$ $IO = \text{Open}$			7	mA
Current Read Data/ Dual/Quad 50 MHz ²	I_{CC3}	$C = 0.1\text{ VCC} / 0.9\text{ V}_{CC}$ $IO = \text{Open}$			15	mA
Current Read Data/ Dual/Quad 80 MHz ²	I_{CC3}	$C = 0.1\text{ VCC} / 0.9\text{ V}_{CC}$ $IO = \text{Open}$			18	mA
Current Read Data/ Dual/Quad 104 MHz ²	I_{CC3}	$C = 0.1\text{ VCC} / 0.9\text{ V}_{CC}$ $IO = \text{Open}$			20	mA
Current Read Data/ Dual/Quad 133 MHz ²	I_{CC3}	$C = 0.1\text{ VCC} / 0.9\text{ V}_{CC}$ $IO = \text{Open}$			27	mA
Current Write Status Register	I_{CC4}	$\overline{CS} = V_{CC}$		10	20	mA
Current Page Program	I_{CC5}	$\overline{CS} = V_{CC}$		15	25	mA
Current Block Erase	I_{CC6}	$\overline{CS} = V_{CC}$		15	25	mA
Current Chip Erase	I_{CC7}	$\overline{CS} = V_{CC}$		15	25	mA
Input Low Voltage	V_{IL}		-0.5		$V_{CC} \times 0.2$	V
Input High Voltage	V_{IH}		$V_{CC} \times 0.8$		$V_{CC} + 0.4$	V
Output Low Voltage	V_{OL}	$I_{OL} = 100\text{ }\mu\text{A}$			0.2	V
Output High Voltage	V_{OH}	$I_{OH} = -100\text{ }\mu\text{A}$	$V_{CC} - 0.2$			V

1. Tested on sample basis and specified through design and characterization data, $T_A = 25\text{ }^\circ\text{C}$, $V_{CC} = 1.8\text{ V}$.

2. Checked board pattern.

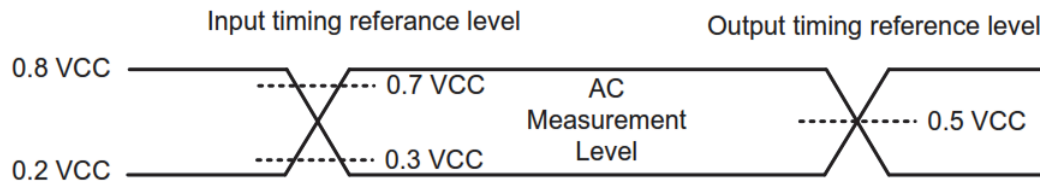
3. During XiP mode (0-4-4), I_{CC1} may exceed maximum limit.

9.5 AC Measurement Conditions

Table 25. AC Measurement Conditions

Parameter	Symbol	Min	Max	Unit
Load Capacitance	C_L		30	pF
Input Rise and Fall Times	T_R, T_F		5	ns
Input Pulse Voltages	V_{IN}	0.2 V_{CC} to 0.8 V_{CC}		V
Input Timing Reference Voltages	IN	0.3 V_{CC} to 0.7 V_{CC}		V
Output Timing Reference Voltages	OUT	0.5 V_{CC} to 0.5 V_{CC}		V

Note that the output Hi-Z is defined as the point where data out is no longer driven.



Input pulse rise and fall times are < 5ns

Figure 69. AC Measurement I/O Waveform

9.6 AC Electrical Characteristics

Table 26. AC Electrical Characteristics

Parameter ⁵	Symbol	Alt	Min	Typ	Max	Unit
Clock frequency for all commands, except Read Data and Fast Read Data in SPI mode (03h, 0Bh) 1.7 V - 2.0 V V _{CC} and industrial temperature	f _R	f _c	DC		133	MHz
Clock freq. Fast Read Data command in SPI mode (0Bh)	f _R		DC		104	MHz
Clock freq. Read Data command in SPI mode (03h)	f _R		DC		50	MHz
Clock High, Low Time except Read Data (03h)	t _{CLH} , t _{CLL} ¹		3.5			ns
Clock High, Low Time for Read Data (03h) commands	t _{CRLH}		8			ns
Clock Rise Time peak to peak	t _{CLCH} ²		0.1			V/ns
Clock Fall Time peak to peak	t _{CHCL} ²		0.1			V/ns
$\overline{\text{CS}}$ Active Setup Time relative to Clock	t _{SLCH}	t _{CSS}	5			ns
$\overline{\text{CS}}$ Not Active Hold Time relative to Clock	t _{CHSL}		5			ns
Data In Setup Time	t _{DVCH}	t _{DSU}	2			ns
Data In Hold Time	t _{CHDX}	t _{DH}	3			ns
$\overline{\text{CS}}$ Active Hold Time relative to Clock	t _{CHSH}		5			ns
$\overline{\text{CS}}$ Not Active Setup Time relative to Clock	t _{CHSH}		5			ns
$\overline{\text{CS}}$ Deselect Time (for Read commands/Write, Erase, and Program commands)	t _{SHSL}	t _{CSH}	100			ns
Output Disable Time	t _{SHQZ} ²	t _{DIS}			7	ns
Clock Low to Output Valid	t _{CLQV}	t _{V1}			6	ns
Clock Low to Output Valid (Except Main Read) ³	t _{CLQV}	t _{V2}			7	ns
Output Hold Time	t _{CLQX}	t _{HO}	1.5			ns
$\overline{\text{HOLD}}$ Active Setup Time relative to Clock	t _{HLCH}		5			ns
$\overline{\text{HOLD}}$ Active Hold Time relative to Clock	t _{CHHH}		5			ns
$\overline{\text{HOLD}}$ Not Active Setup Time relative to Clock	t _{HHCH}		5			ns
$\overline{\text{HOLD}}$ Not Active Hold Time relative to Clock	t _{CHHL}		5			ns
$\overline{\text{HOLD}}$ to Output Low-Z	t _{HHQX} ²	t _{LZ}			7	ns
$\overline{\text{HOLD}}$ to Output High-Z	t _{HLQZ} ²	t _{HZ}			12	ns
Write Protect Setup Time Before $\overline{\text{CS}}$ Low	t _{WHSL} ⁴		20			ns
Write Protect Setup Time After $\overline{\text{CS}}$ High	t _{SHWL} ⁴		100			ns
$\overline{\text{CS}}$ High to Power-Down Mode	t _{DP} ²				3	μs
$\overline{\text{CS}}$ High to Standby Mode without Electronic Signature Read	t _{RES1} ²				3	μs
$\overline{\text{CS}}$ High to Standby Mode with Electronic Signature Read	t _{RES2} ²				1.8	μs
$\overline{\text{CS}}$ High to next Command after Suspend	t _{SUS} ²				30	μs
$\overline{\text{CS}}$ High to next Command after Reset	t _{RST} ²				30	μs
Write Status Register Time	t _w			5	15	ms
Byte Program Time	t _{BP}			5	150	μs

Table 26. AC Electrical Characteristics (Continued)

Parameter ⁵	Symbol	Alt	Min	Typ	Max	Unit
Page Program Time	t _{PP}			0.6	5	ms
Block Erase Time (4 kB)	t _{SE}			0.06	0.4	s
Block Erase Time (32 kB)	t _{BE1}			0.2	1.5	s
Block Erase Time (64 kB)	t _{BE2}			0.35	2.5	s
Chip Erase Time	t _{CE}			60	300	s

1. Clock high + Clock low must be less than or equal to 1/f_c.
2. Value guaranteed by design and/or characterization, not 100% tested in production.
3. Contains: Read Status Register-1,2/ Read Manufacturer/Device ID, Dual, Quad/ Read JEDEC ID/ Read Security Register/ Read Serial Flash Discovery Parameter.
4. Only applicable as a constraint for a Write Status Register command when Sector Protect Bit is set to 1.
5. Commercial temperature only applies to Fast Read (F_R). Industrial temperature applies to all other parameters.

9.7 Input Timing

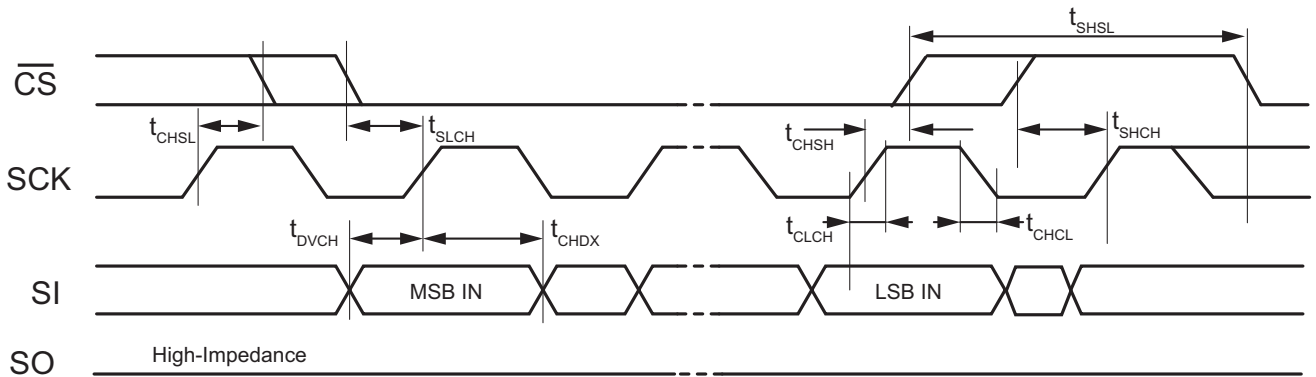
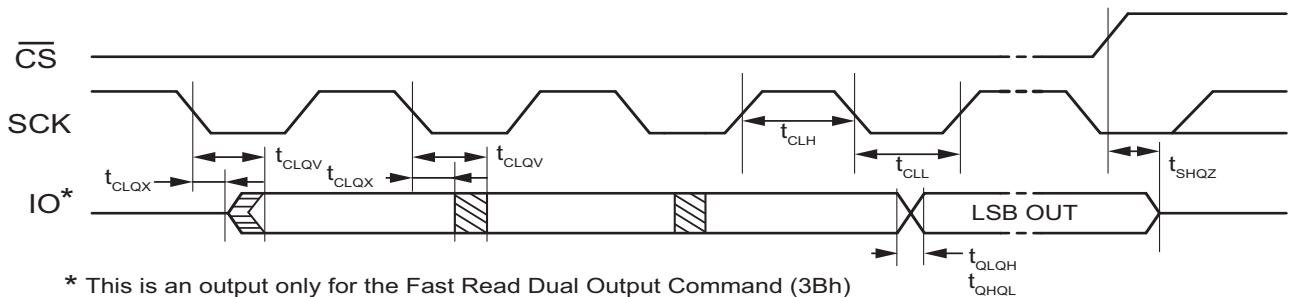


Figure 70. Input Timing

9.8 Output Timing



* This is an output only for the Fast Read Dual Output Command (3Bh)

Figure 71. Output Timing

9.9 $\overline{\text{HOLD}}$ Timing

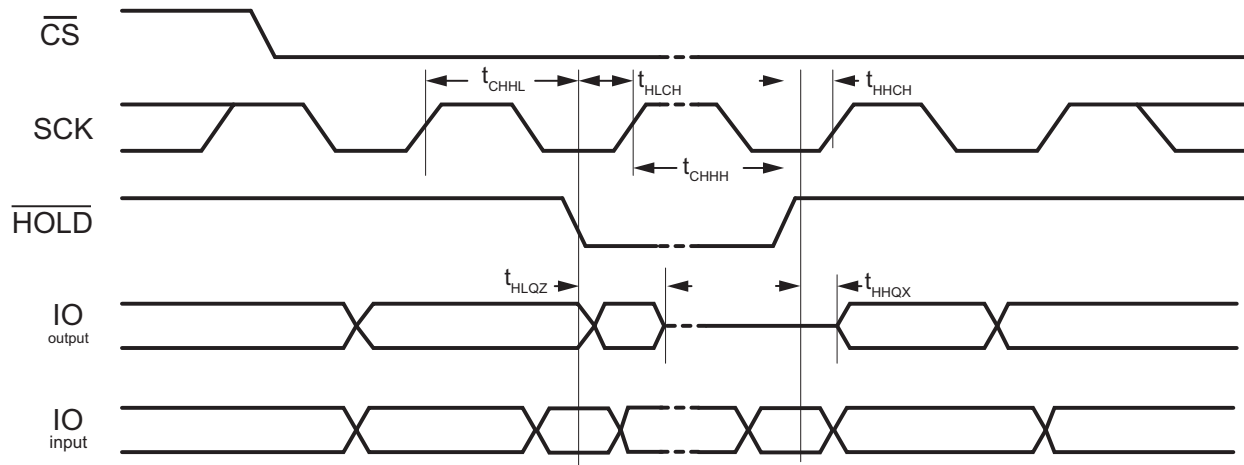
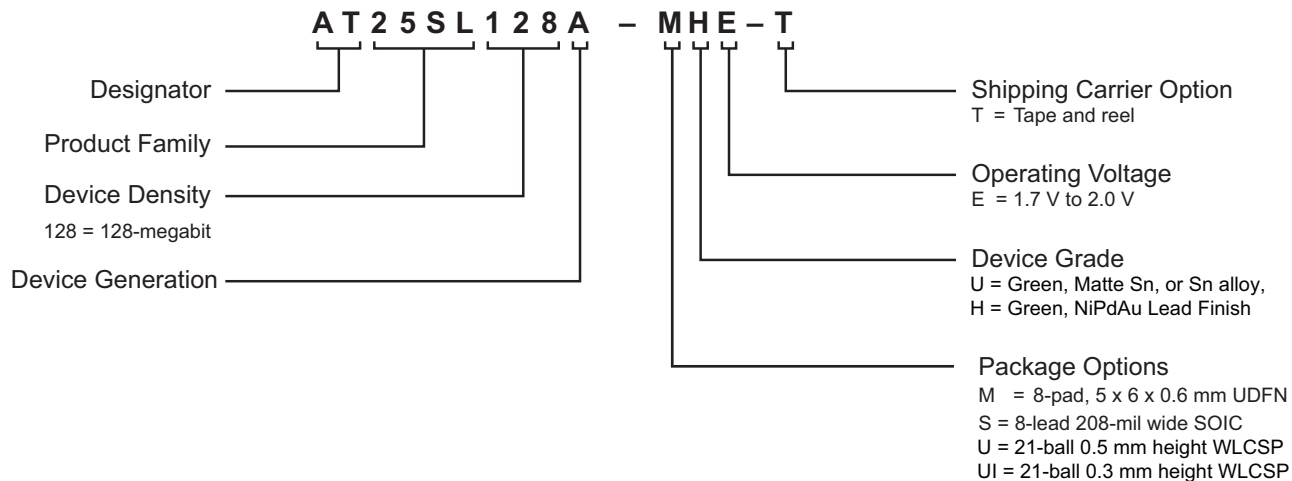


Figure 72. $\overline{\text{HOLD}}$ Timing

10. Ordering Information

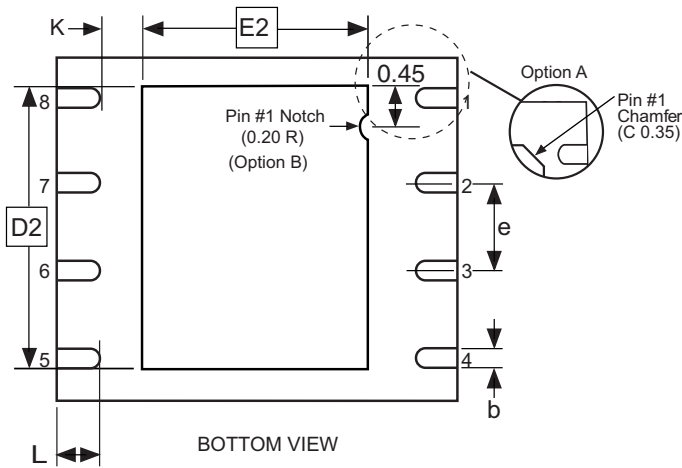
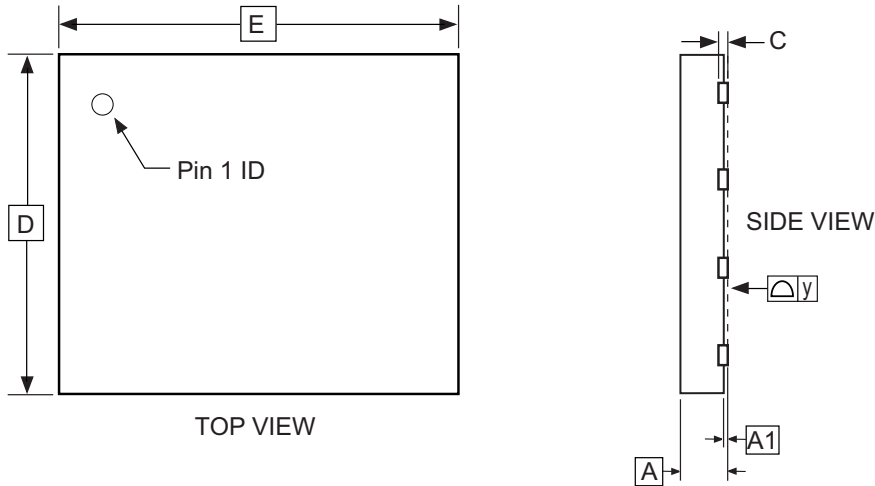


Ordering Code ^[1]	Package	Lead Finish	Operating Voltage	Max. Freq.	Operation Range
AT25SL128A-SHE-T	8-lead, 208-mil Wide Plastic Gull Wing Small Outline Package (EIAJ SOIC)	NiPdAu	1.7 V - 2.0 V	133 MHz	-40 °C to 85 °C (Industrial Temperature Range)
AT25SL128A-MHE-T	8-pad (5 x 6 x 0.6 mm body), Thermally Enhanced Plastic Ultra-Thin Dual Flat No-lead (UDFN)				
AT25SL128A-UUE-T	21-ball, 0.5 mm height WLCSP	SnAgCu			
AT25SL128A-UIUE-T	21-ball, 0.3 mm height WLCSP				

1. The shipping carrier option code is not marked on the devices.

11. Packaging Information

11.1 UDFN



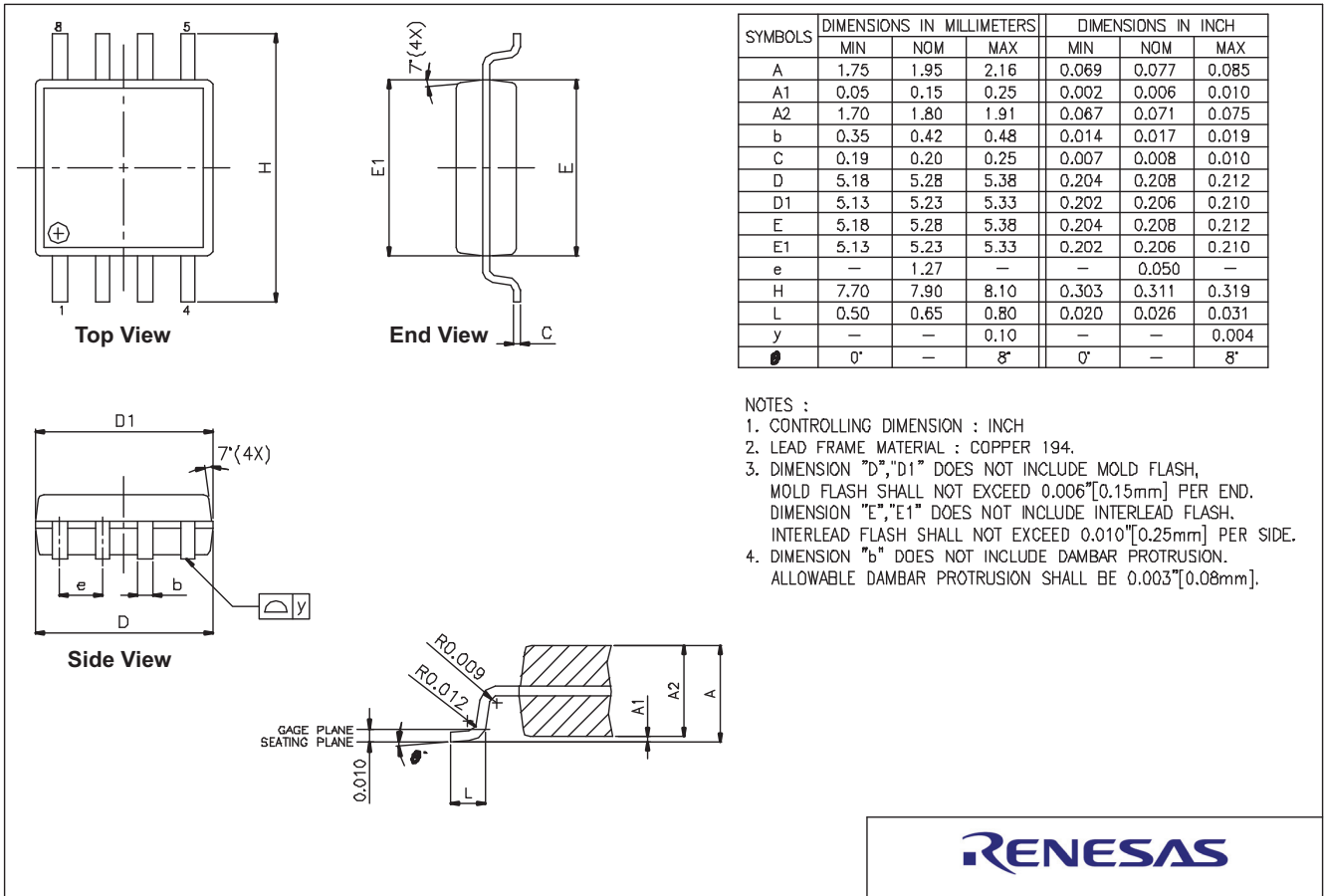
COMMON DIMENSIONS
(Unit of Measure = mm)

SYMBOL	MIN	NOM	MAX	NOTE
A	0.45	0.55	0.60	
A1	0.00	0.02	0.05	
b	0.35	0.40	0.48	
C	0.152 REF			
D	4.90	5.00	5.10	
D2	3.80	4.00	4.20	
E	5.90	6.00	6.10	
E2	3.20	3.40	3.60	
e	1.27			
L	0.50	0.60	0.75	
y	0.00	-	0.08	
K	0.20	-	-	

Notes: 1. This package conforms to JEDEC reference MO-229, Saw Singulation.
2. The terminal #1 ID is a Laser-marked Feature.

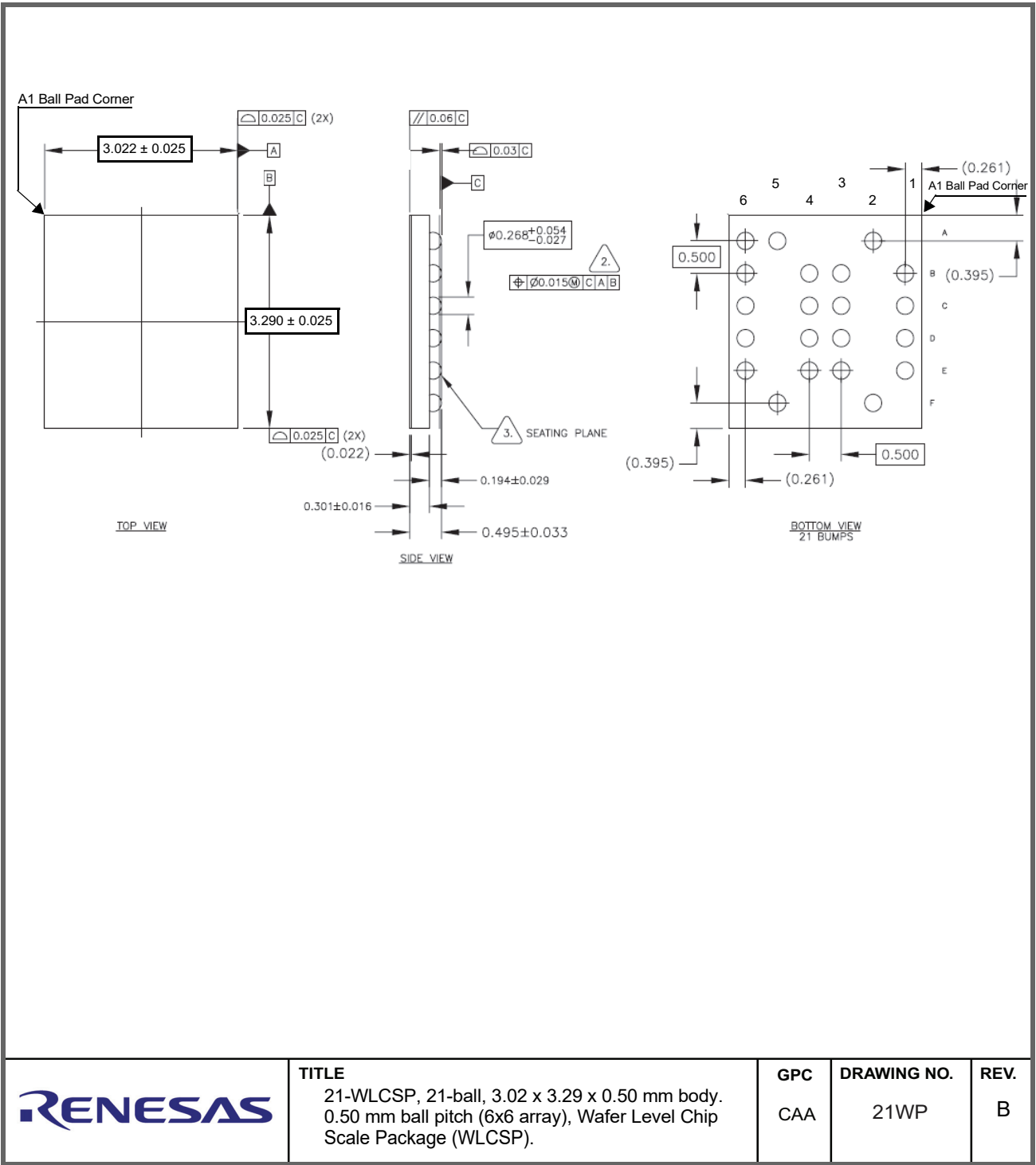
	TITLE	GPC	REV.
	8-pad (5 x 6 x 0.6 mm Body), Thermally Enhanced Plastic Ultra Thin Dual Flat No Lead Package (UDFN)	YFG	D

11.2 8-Lead Wide Body EIAJ SOIC

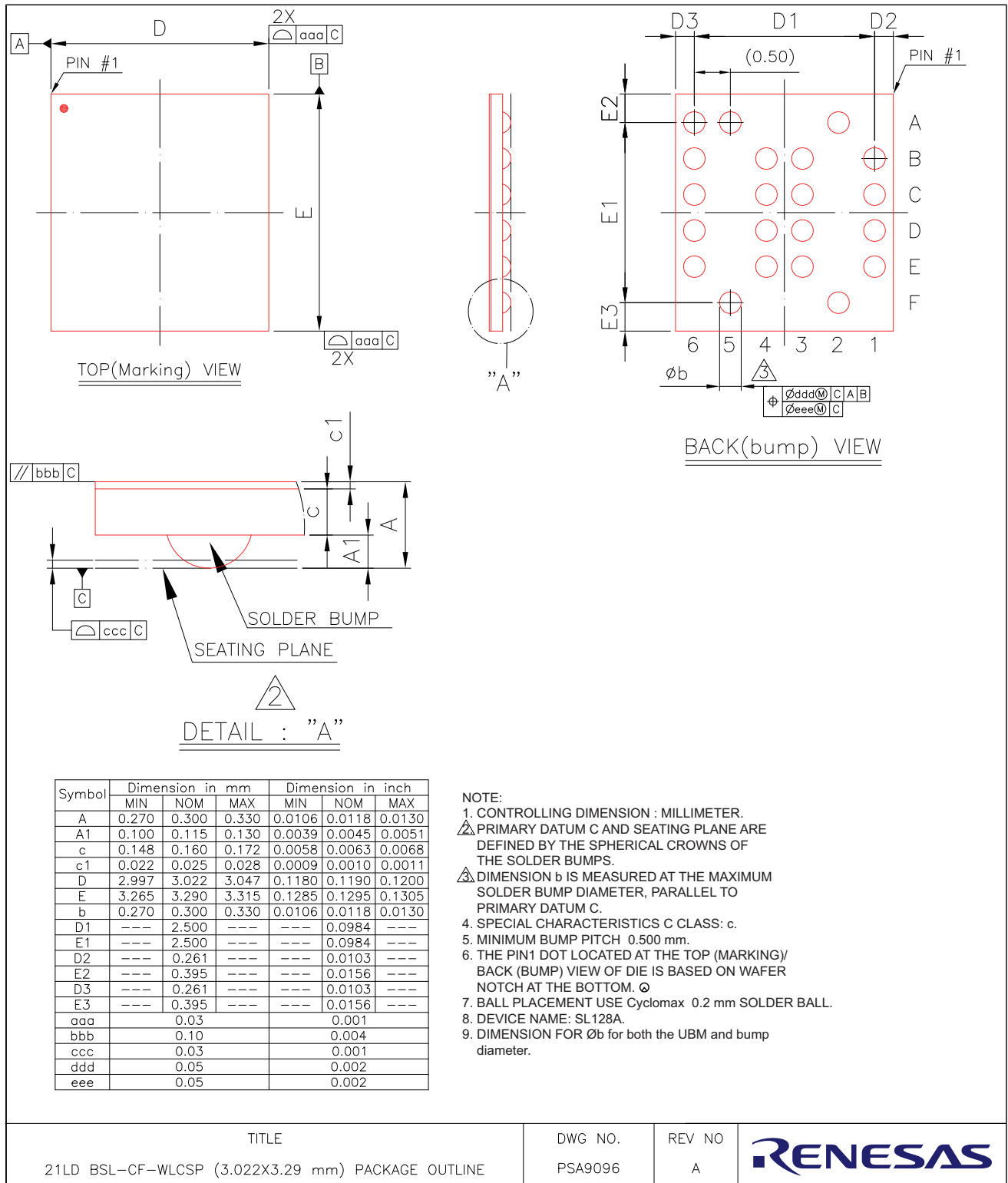


RENESAS

11.3 U (21-WLCSP)



11.4 UI (21-WLCSP)



12. Revision History

Revision Level	Date	Change History
A	05/2016	Initial release of AT25SL128A data sheet.
B	05/2016	Added 26-ball WLCSP package. Updated 21-ball WLCSP package. Decoupled HOLD/RESET pin descriptions. Removed RESET-only part numbers from ordering table. Updated T_{VSL} spec.
C	08/2016	Updated 21-ball WLCSP package. Updated voltage range. Removed Sector and Block Protect descriptions. Removed Status Register Memory Protection tables. Updated t_{CSH} specification. Updated UDFN package. Removed bulk (tube) ordering option.
D	11/2016	Corrected UDFN package dimensions on front page. Updated SFDP tables (to version 1.6). Added description to Write Status Register in QPI mode.
E	02/2017	Updated Note 1 on Table 8.1.
F	11/2017	Updated Table 1-1 (WP pin description). Updated 5.1 (Write Protect Features). Updated Tables 6-1 and 6-2. Restored Sector and Block Protect descriptions. Restored Status Register Memory Protection tables (Tables 6-3 and 6-4). Updated document status from Advanced to Complete. Added Errata (11.1). Removed references to 133 MHz option. Removed RESET option from I/O ₃ . Removed 26-WLCSP and 24-ball BGA package options. Removed references to ACC feature.
G	04/2018	Updated WLCSP package drawing in Section 10.3.
H	06/2018	Updated 64 kbytes Block Erase Time from 2s (max) to 2.5s. Updated Figure 7-50 to reflect accurate timing diagram.
I	08/2018	Changed maximum frequency from 104 MHz to 133 MHz. Reformatted and standardized all tables throughout document.
J	01/2019	Updated 21-WLCSP package dimensions in Section 10.3. Reformatted Revision History table to current Adesto Technologies standard.
K	02/2019	Updated 21-WLCSP package ballout numbering in Section 10.3. Updated A1 ball location in Section 10.3.
L	08/2020	Applied latest Dialog Semiconductor layout and format. Added part number AT25SL128A-UIUE-T (21-ball low-profile WLCSP package).
M	09/2020	Added following note to figure in Section 11.4: "9. DIMENSION FOR $\varnothing b$ for both the UBM and bump diameter."
N	01/2021	Corrected descriptions for WP and HOLD pins in Table 2-1. Removed references to package type 8MW.
O	05/2021	Applied new corporate template. Corrected waveforms for BBh In Section 13 Errata, changed all instances of kbit to kbyte.
P	05/2021	Added third footnote to Table 24.
Q	02/2022	Corrected Figure 57. Applied new corporate template to document. Corrected U and UI designations in Section 10.1 Ordering Code Detail. Added physical block size information to Key Features list and Section 1 Introduction. Removed the 208-mil SOIC package option in Section 10 and Section 11. Added the following note to the description of the 75h command: A read operation from a 8-Mbit area (referred to as a physical block) which includes a suspended area might provide unreliable data. For the definition of the physical block and for the techniques to ensure high data integrity, see application note AN-500. Changed "AT25SL128A-SUE-T" to "AT25SL128A-MHE-T" in Section 10. Removed the "S" from Package Options in Section 10. Removed "AT25SL128A-SUE-T" from Ordering Code in Section 10. Removed "8S4" from Package Type in Section 10.
R	09/2022	Removed the DWF option from the last bullet of the Features list and from the Package Options table.
S	03/2023	Added package option for 208-mil EIAJ SOIC.

13. Errata

1. If Status Register-2 CMP bit is 0, and Status Register-1 bits {SEC,TB,BP2,BP1,BP} are {1,0,0,0,1}, addresses FFF000h-FFFFFFh *are protected* from any Program or Erase commands. However, this setting does *not* protect the rest of Sector 255 or the rest of Block 511 from 64 kbyte or 32 kbyte Block Erase commands. If a 64 kbyte Block Erase Command is issued to Sector 255, addresses FF0000h-FFEFFFh *are* erased. If a 32 kbyte Block Erase Command is issued to Block 511, addresses FF8000h-FFEFFFh *are* erased.

Workaround: If this protection bit combination is used and the behavior described in Note 3 is required, avoid using 64 kbyte or 32kbyte Block Erase commands for this specific memory region.

2. If Status Register-2 CMP bit is 1, and Status Register-1 bits {SEC,TB,BP2,BP1,BP} are {1,1,0,0,1}, addresses 001000h-FFFFFFh *are protected* from any Program or Erase commands. However, this setting does *not* protect the rest of Sector 0 or the rest of Block 0 from 64 kbyte or 32 kbyte Block Erase commands. If a 64 kbyte Block Erase Command is issued to Sector 0, addresses 000000h-000FFFh *are* erased. If a 32 kbyte Block Erase Command is issued to Block 0, addresses 000000h-000FFFh *are* erased.

Workaround: If this protection bit combination is used and the behavior described in Note 3 is required, avoid using 64 kbyte or 32 kbyte Block Erase commands for this specific memory region.

IMPORTANT NOTICE AND DISCLAIMER

RENESAS ELECTRONICS CORPORATION AND ITS SUBSIDIARIES ("RENESAS") PROVIDES TECHNICAL SPECIFICATIONS AND RELIABILITY DATA (INCLUDING DATASHEETS), DESIGN RESOURCES (INCLUDING REFERENCE DESIGNS), APPLICATION OR OTHER DESIGN ADVICE, WEB TOOLS, SAFETY INFORMATION, AND OTHER RESOURCES "AS IS" AND WITH ALL FAULTS, AND DISCLAIMS ALL WARRANTIES, EXPRESS OR IMPLIED, INCLUDING, WITHOUT LIMITATION, ANY IMPLIED WARRANTIES OF MERCHANTABILITY, FITNESS FOR A PARTICULAR PURPOSE, OR NON-INFRINGEMENT OF THIRD PARTY INTELLECTUAL PROPERTY RIGHTS.

These resources are intended for developers skilled in the art designing with Renesas products. You are solely responsible for (1) selecting the appropriate products for your application, (2) designing, validating, and testing your application, and (3) ensuring your application meets applicable standards, and any other safety, security, or other requirements. These resources are subject to change without notice. Renesas grants you permission to use these resources only for development of an application that uses Renesas products. Other reproduction or use of these resources is strictly prohibited. No license is granted to any other Renesas intellectual property or to any third party intellectual property. Renesas disclaims responsibility for, and you will fully indemnify Renesas and its representatives against, any claims, damages, costs, losses, or liabilities arising out of your use of these resources. Renesas' products are provided only subject to Renesas' Terms and Conditions of Sale or other applicable terms agreed to in writing. No use of any Renesas resources expands or otherwise alters any applicable warranties or warranty disclaimers for these products.

(Rev.1.0 Mar 2020)

Corporate Headquarters

TOYOSU FORESIA, 3-2-24 Toyosu,
Koto-ku, Tokyo 135-0061, Japan
www.renesas.com

Contact Information

For further information on a product, technology, the most up-to-date version of a document, or your nearest sales office, please visit:
www.renesas.com/contact/

Trademarks

Renesas and the Renesas logo are trademarks of Renesas Electronics Corporation. All trademarks and registered trademarks are the property of their respective owners.