

General Description

The ICS849N2505I is a clock synthesizer designed for wireless infrastructure applications.

The device generates a selectable 25MHz, 50MHz, 125MHz or 156.25MHz clock signal from a 10MHz input with excellent phase jitter performance.

The device uses IDT's fourth generation FemtoClock® NG technology for an optimum of high clock frequency and low phase noise performance, combined with a low power consumption and high power supply noise rejection.

The device supports a 3.3V voltage supply and is packaged in a small, lead-free (RoHS 6) 32-lead VFQFN package.

The extended temperature range supports wireless infrastructure, telecommunication and networking end equipment requirements. The device is a member of the high-performance clock family from IDT.

Features

- Fourth generation FemtoClock® Next Generation (NG) technology
- Selectable 25MHz, 50MHz, 125MHz or 156.25MHz output clock synthesized from a 10MHz fundamental mode crystal or 10MHz differential input
- Four selectable differential LVPECL or LVDS outputs
- Crystal interface designed for 10MHz, 12pF parallel resonant crystal
- RMS phase jitter (12kHz - 20MHz): 0.336ps (typical), LVPECL outputs
- Period jitter: 2.7ps (maximum), LVPECL outputs
- Full 3.3V supply voltage
- Available in Lead-free (RoHS 6) packaging
- -40°C to 85°C ambient operating temperature

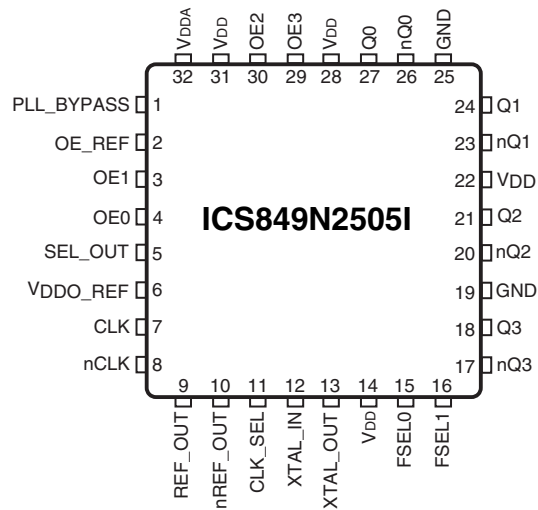
Frequency Select Function Table

FSEL1, FSEL0	Input Frequency (MHz)	Output Frequency (MHz)
00 (default)	10	25
01	10	50
10	10	125
11	10	156.25

SEL_OUT Function Table

SEL_OUT	Q[0:3], nQ[0:3], REF_OUT/nREF_OUT
0 (default)	LVPECL
1	LVDS

Pin Assignment



32-Lead VFQFN

5mm x 5mm x 0.925mm package body

K Package

Top View

Block Diagram

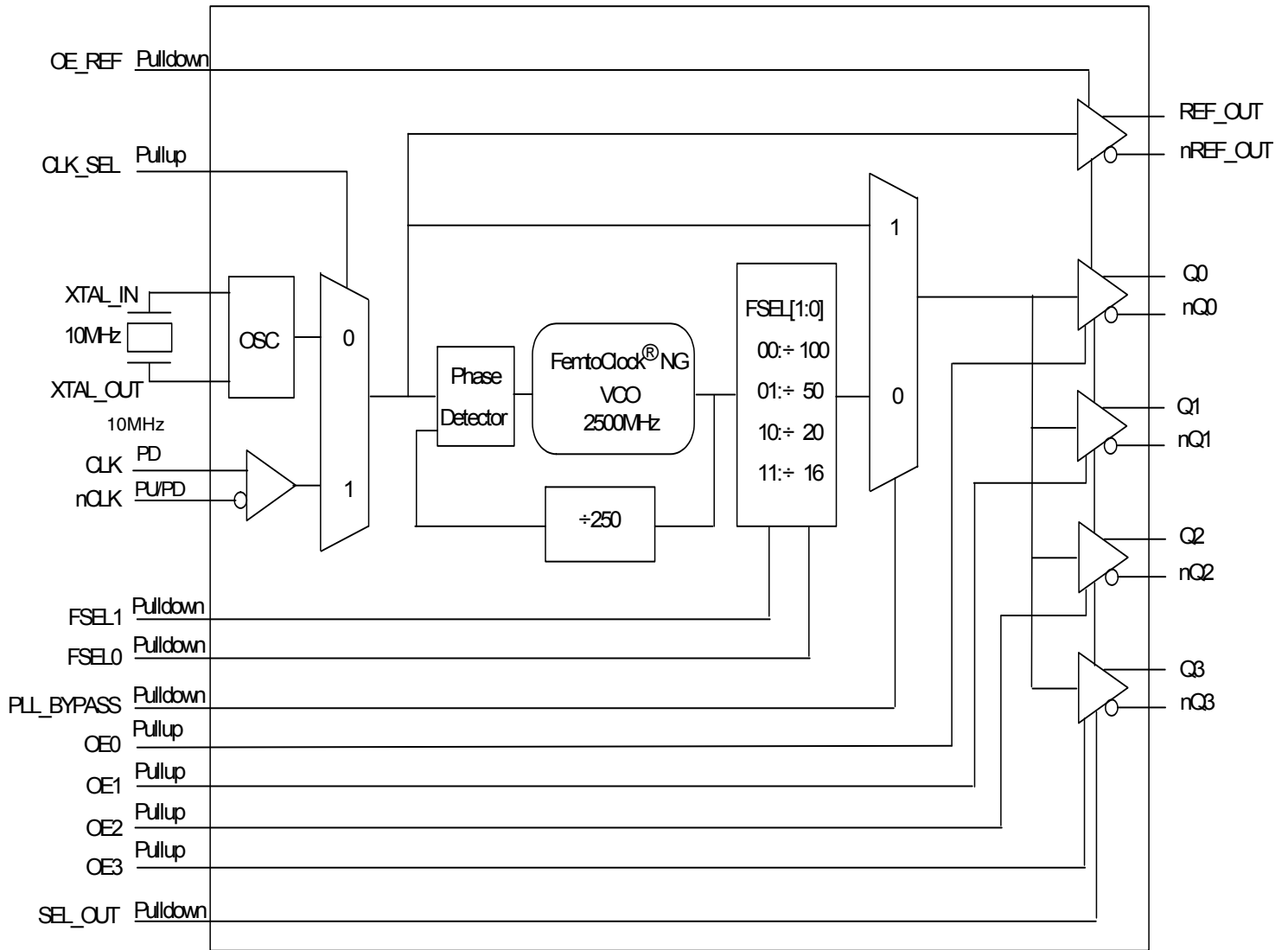


Table 1. Pin Descriptions

Number	Name	Type		Description
1	PLL_BYPASS	Input	Pulldown	PLL mode select. When LOW, selects PLL operation. When HIGH, selects PLL bypass. LVCMOS/LVTTL interface levels.
2	OE_REF	Input	Pulldown	Controls enabling and disabling of REF_OUT, nREF_OUT outputs. When logic HIGH, the outputs are enabled and active. When logic LOW, the outputs are disabled and forced to High-Impedance. LVCMOS/LVTTL interface levels.
3	OE1	Input	Pullup	Controls enabling and disabling of Q1, nQ1 outputs. When logic HIGH, the outputs are enabled and active. When logic LOW, the outputs are disabled and forced to High-Impedance. LVCMOS/LVTTL interface levels.
4	OE0	Input	Pullup	Controls enabling and disabling of Q0, nQ0 outputs. When logic HIGH, the outputs are enabled and active. When logic LOW, the outputs are disabled and forced to High-Impedance. LVCMOS/LVTTL interface levels.
5	SEL_OUT	Input	Pulldown	Output select pin. When LOW, outputs are LVPECL levels. When HIGH, outputs are LVDS levels. LVCMOS/LVTTL interface levels.
6	V _{DDO_REF}	Power		Output supply pin for differential REF_OUT.
7	CLK	Input	Pulldown	Non-inverting differential clock input.
8	nCLK	Input	Pullup/ Pulldown	Inverting differential clock input. V _{DD} /2 default when left floating.
9, 10	REF_OUT, nREF_OUT	Output		Reference clock output pair. LVPECL or LVDS interface levels.
11	CLK_SEL	Input	Pullup	Clock select input. When LOW selects XTAL inputs. When HIGH selects CLK/nCLK inputs. LVCMOS /LVTTL interface levels.
12, 13	XTAL_IN, XTAL_OUT	Input		Crystal oscillator interface. The XTAL_IN is the input. XTAL_OUT is the output.
14, 22, 28, 31	V _{DD}	Power		Core supply pins.
15, 16	FSEL0, FSEL1	Input	Pulldown	Frequency select pins. LVCMOS/LVTTL interface levels.
17, 18	nQ3, Q3	Output		Differential output pair. LVPECL or LVDS interface levels.
19, 25	GND	Power		Power supply ground.
20, 21	nQ2, Q2	Output		Differential output pair. LVPECL or LVDS interface levels.
23, 24	nQ1, Q1	Output		Differential output pair. LVPECL or LVDS interface levels.
26, 27	nQ0, Q0	Output		Differential output pair. LVPECL or LVDS interface levels.
29	OE3	Input	Pullup	Controls enabling and disabling of Q3, nQ3 outputs. When logic HIGH, the outputs are enabled and active. When logic LOW, the outputs are disabled and forced to High-Impedance. LVCMOS/LVTTL interface levels.
30	OE2	Input	Pullup	Controls enabling and disabling of Q2, nQ2 outputs. When logic HIGH, the outputs are enabled and active. When logic LOW, the outputs are disabled and forced to High-Impedance. LVCMOS/LVTTL interface levels.
32	V _{DDA}	Power		Analog supply pin.

NOTE: Pullup and Pulldown refer to internal input resistors. See Table 2, Pin Characteristics, for typical values.

Table 2. Pin Characteristics

Symbol	Parameter	Test Conditions	Minimum	Typical	Maximum	Units
C _{IN}	Input Capacitance			4		pF
R _{PULLUP}	Input Pullup Resistor			51		kΩ
R _{PULLDOWN}	Input Pulldown Resistor			51		kΩ

Absolute Maximum Ratings

NOTE: Stresses beyond those listed under *Absolute Maximum Ratings* may cause permanent damage to the device. These ratings are stress specifications only. Functional operation of product at these conditions or any conditions beyond those listed in the *DC Characteristics* or *AC Characteristics* is not implied. Exposure to absolute maximum rating conditions for extended periods may affect product reliability.

Item	Rating
Supply Voltage, V_{DD}	3.63V
Inputs, V_I XTAL_IN Other Inputs	0V to 2V -0.5V to $V_{DD} + 0.5V$
Outputs, I_O LVPECL Continuos Current Surge Current	 50mA 100mA
LVDS Continuos Current Surge Current	10mA 15mA
Package Thermal Impedance, θ_{JA}	33.1°C/W (0 mps)
Storage Temperature, T_{STG}	-65°C to 150°C

DC Electrical Characteristics

Table 4A. LVPECL Power Supply DC Characteristics, $V_{DD} = V_{DDO_REF} = 3.3V \pm 5\%$, $V_{EE} = 0V$, $T_A = -40^\circ C$ to $85^\circ C$

Symbol	Parameter	Test Conditions	Minimum	Typical	Maximum	Units
V_{DD}	Core Supply Voltage		3.135	3.3	3.465	V
V_{DDA}	Analog Supply Voltage		$V_{DD} - 0.35$	3.3	V_{DD}	V
V_{DDO_REF}	Output Supply Voltage		3.135	3.3	3.465	V
I_{EE}	Power Supply Current	SEL_OUT = 0			200	mA
I_{DDA}	Analog Supply Current				35	mA

Table 4B. LVDS Power Supply DC Characteristics, $V_{DD} = V_{DDO_REF} = 3.3V \pm 5\%$, $T_A = -40^\circ C$ to $85^\circ C$

Symbol	Parameter	Test Conditions	Minimum	Typical	Maximum	Units
V_{DD}	Core Supply Voltage		3.135	3.3	3.465	V
V_{DDA}	Analog Supply Voltage		$V_{DD} - 0.35$	3.3	V_{DD}	V
V_{DDO_REF}	Output Supply Voltage		3.135	3.3	3.465	V
I_{DD}	Power Supply Current	SEL_OUT = 1			223	mA
I_{DDA}	Analog Supply Current				35	mA
I_{DDO}	Output Supply Current	SEL_OUT = 1			53	mA

Table 4C. LVCMOS/LVTTL DC Characteristics, $T_A = -40^{\circ}\text{C}$ to 85°C

Symbol	Parameter	Test Conditions	Minimum	Typical	Maximum	Units
V_{IH}	Input High Voltage		2.2		$V_{DD} + 0.3$	V
V_{IL}	Input Low Voltage		-0.3		0.8	V
I_{IH}	Input High Current	CLK_SEL, OEx	$V_{DD} = V_{IN} = 3.465\text{V}$		10	μA
		PLL_BYPASS, SEL_OUT, OE_REF	$V_{DD} = V_{IN} = 3.465\text{V}$		150	μA
I_{IL}	Input Low Current	CLK_SEL, OEx	$V_{DD} = 3.465\text{V}, V_{IN} = 0\text{V}$	-150		μA
		PLL_BYPASS, SEL_OUT, OE_REF	$V_{DD} = V_{IN} = 3.465\text{V}$	-10		μA

Table 4D. Differential Input DC Characteristics, $V_{DD} = V_{DDO_REF} = 3.3\text{V} \pm 5\%$, $V_{EE} = 0\text{V}$, $T_A = -40^{\circ}\text{C}$ to 85°C

Symbol	Parameter	Test Conditions	Minimum	Typical	Maximum	Units
I_{IH}	Input High Current	CLK, nCLK			150	μA
I_{IL}	Input Low Current	CLK	-10			μA
		nCLK	-150			μA
V_{PP}	Peak-to-Peak Input Voltage		0.15		1.3	V
V_{CMR}	Common Mode Input Voltage; NOTE 1		V_{EE}		$V_{DD} - 0.85$	V

NOTE 1: Common mode input voltage is defined as the crossing point.

Table 4E. LVPECL DC Characteristics, $V_{DD} = V_{DDO_REF} = 3.3\text{V} \pm 5\%$, $V_{EE} = 0\text{V}$, $T_A = -40^{\circ}\text{C}$ to 85°C

Symbol	Parameter	Test Conditions	Minimum	Typical	Maximum	Units
V_{OH}	Output High Voltage		$V_{DDO} - 1.1$		$V_{DDO} - 0.75$	V
V_{OL}	Output Low Voltage		$V_{DDO} - 2.0$		$V_{DDO} - 1.6$	V
V_{SWING}	Peak-to-Peak Output Voltage Swing; NOTE 1		0.6		1.0	V

NOTE 1: Outputs termination with 50Ω to $V_{DDO_REF} - 2\text{V}$.

Table 4F. LVDS DC Characteristics, $V_{DD} = V_{DDO_REF} = 3.3\text{V} \pm 5\%$, $T_A = -40^{\circ}\text{C}$ to 85°C

Symbol	Parameter	Test Conditions	Minimum	Typical	Maximum	Units
V_{OD}	Differential Output Voltage		247		454	mV
ΔV_{OD}	V_{OD} Magnitude Change				60	mV
V_{OS}	Offset Voltage		1.125		1.375	V
ΔV_{OS}	V_{OS} Magnitude Change				50	mV

Table 5. Crystal Characteristics

Parameter	Test Conditions	Minimum	Typical	Maximum	Units
Mode of Oscillation		Fundamental			
Frequency			10		MHz
Equivalent Series Resistance (ESR)				50	Ω
Shunt Capacitance				7	pF

AC Electrical Characteristics

Table 6A. LVPECL AC Characteristics, $V_{DD} = V_{DDO_REF} = 3.3V \pm 5\%$, $V_{EE} = 0V$, $T_A = -40^\circ C$ to $85^\circ C$

Symbol	Parameter	Test Conditions	Minimum	Typical	Maximum	Units
f_{OUT}	Output Frequency		25		156.25	MHz
$f_{jit(cc)}$	Cycle-to-Cycle Jitter; NOTE 1				8	ps
$f_{jit(per)}$	Period jitter, RMS; NOTE 2			1.95	2.7	ps
f_{jit}	RMS Phase Jitter; NOTE 3	156.25MHz, Integration Range: 12kHz to 20MHz		0.336		ps
t_R / t_F	Output Rise/Fall Time	20% to 80%	125		450	ps
odc	Output Duty Cycle		48		52	%

NOTE: Electrical parameters are guaranteed over the specified ambient operating temperature range, which is established when the device is mounted in a test socket with maintained transverse airflow greater than 500 lpm. The device will meet specifications after thermal equilibrium has been reached under these conditions.

NOTE 1: This parameter is defined in accordance with JEDEC Standard 65.

NOTE 2: If using the RMS Period Jitter to calculate peak-to-peak jitter, then use the typical RMS Period Jitter specification x the RMS multiplier. For example, for a bit error rate of $10E-12$, the peak-to-peak jitter would be $1.95 \times 14 = 27.3ps$.

NOTE 3: See Phase Noise Plot.

Table 6B. LVDS AC Characteristics, $V_{DD} = V_{DDO_REF} = 3.3V \pm 5\%$, $T_A = -40^\circ C$ to $85^\circ C$

Symbol	Parameter	Test Conditions	Minimum	Typical	Maximum	Units
f_{OUT}	Output Frequency		25		156.25	MHz
$f_{jit(cc)}$	Cycle-to-Cycle Jitter; NOTE 1				8	ps
$f_{jit(per)}$	Period jitter, RMS; NOTE 2			3.35	4.75	ps
f_{jit}	RMS Phase Jitter; NOTE 3	156.25MHz, Integration Range: 12kHz to 20MHz		0.351		ps
t_R / t_F	Output Rise/Fall Time	20% to 80%	120		450	ps
odc	Output Duty Cycle		48		52	%

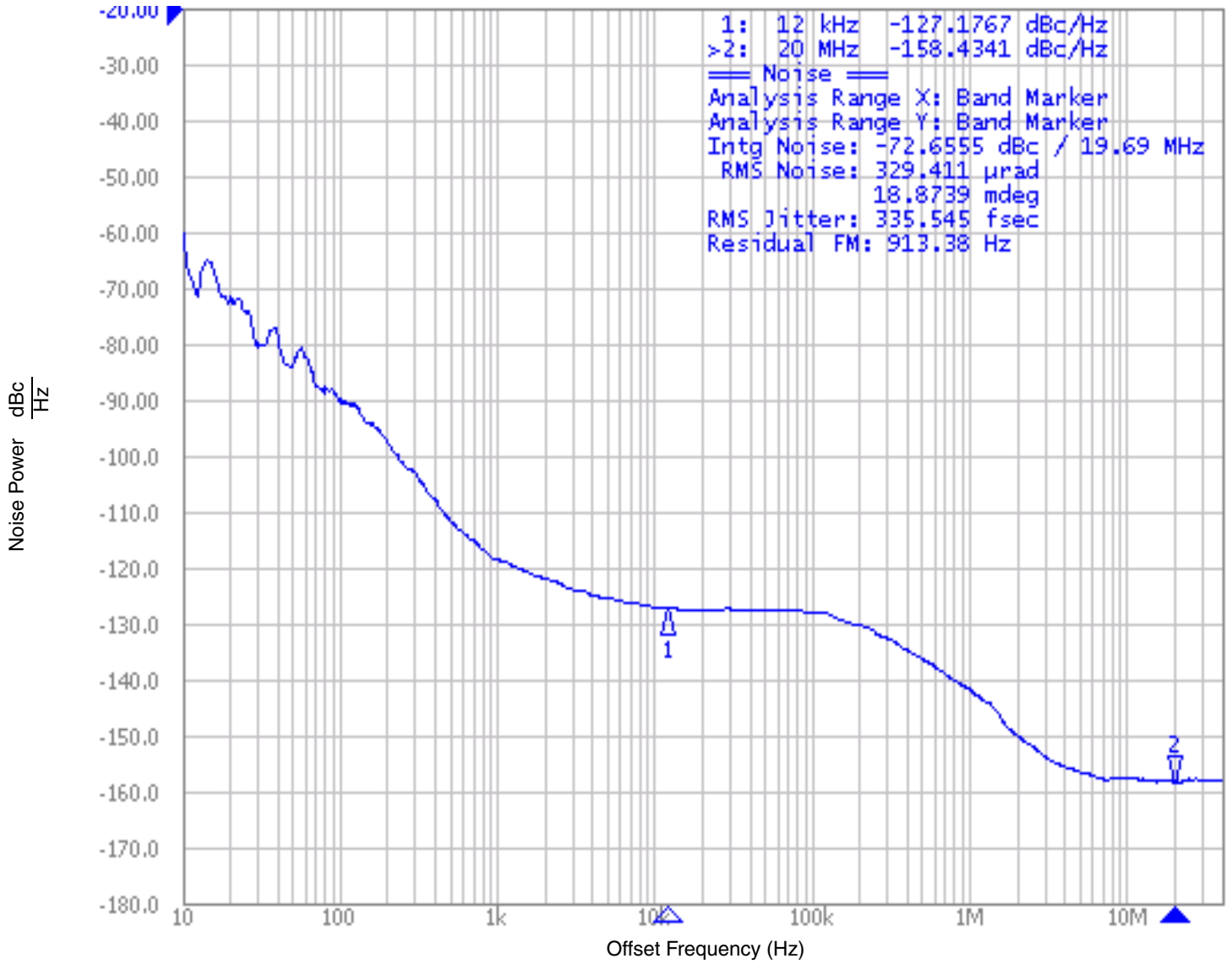
NOTE: Electrical parameters are guaranteed over the specified ambient operating temperature range, which is established when the device is mounted in a test socket with maintained transverse airflow greater than 500 lpm. The device will meet specifications after thermal equilibrium has been reached under these conditions.

NOTE 1: This parameter is defined in accordance with JEDEC Standard 65.

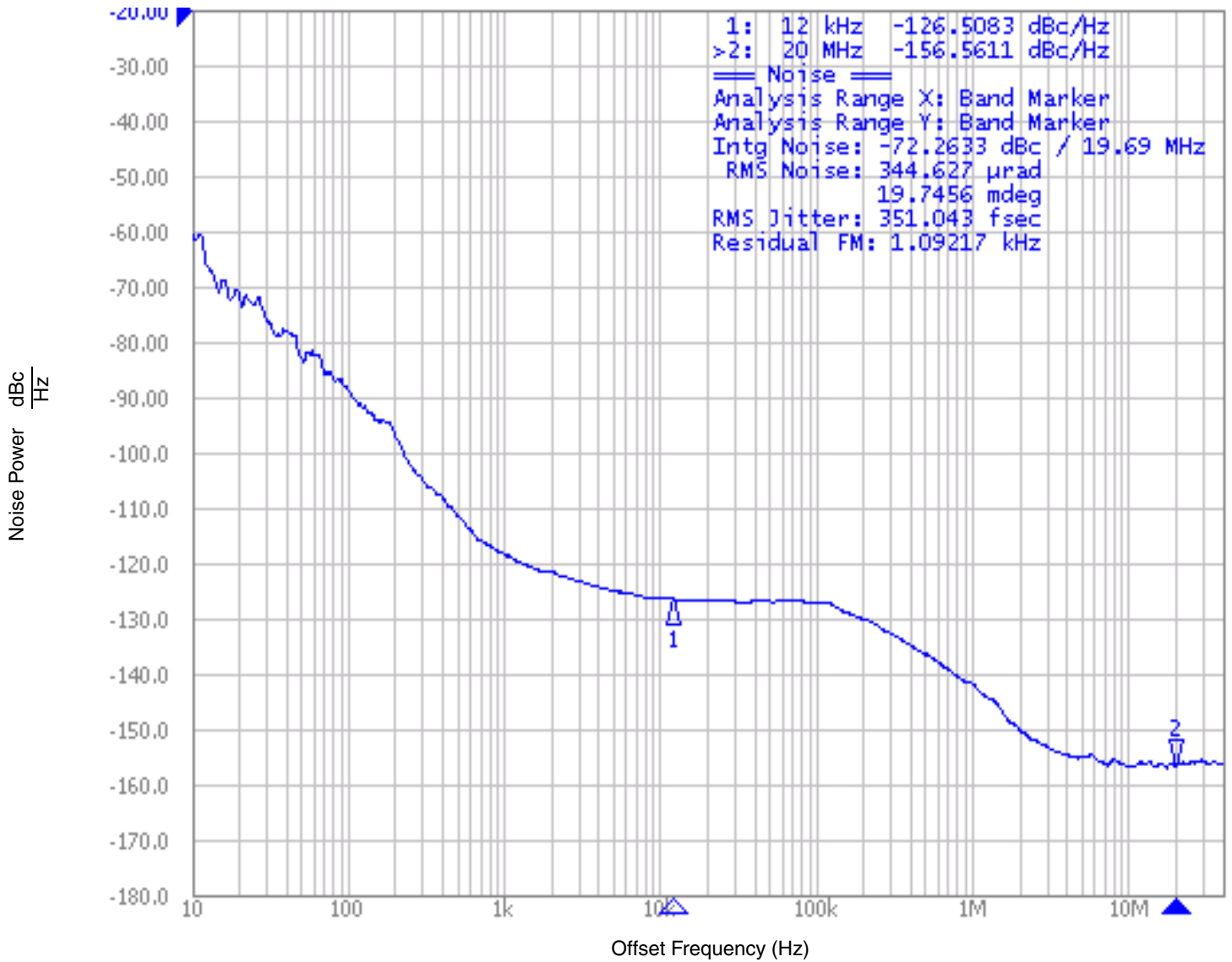
NOTE 2: If using the RMS Period Jitter to calculate peak-to-peak jitter, then use the typical RMS Period Jitter specification x the RMS multiplier. For example, for a bit error rate of $10E-12$, the peak-to-peak jitter would be $3.35 \times 14 = 46.9ps$.

NOTE 3: See Phase Noise Plot.

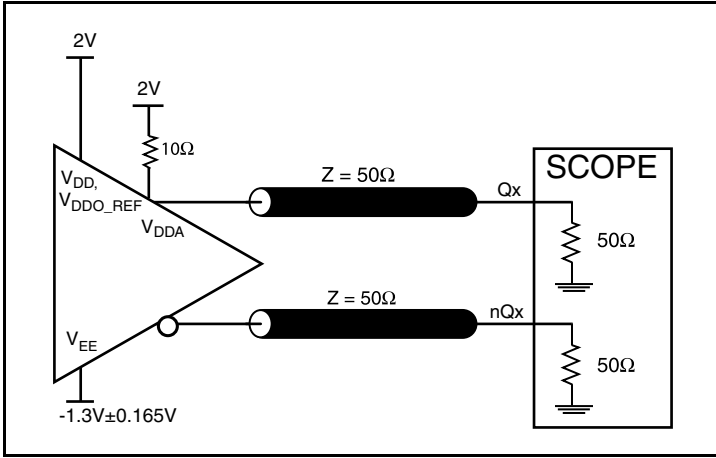
Typical Phase Noise at 156.25MHz (LVPECL output)



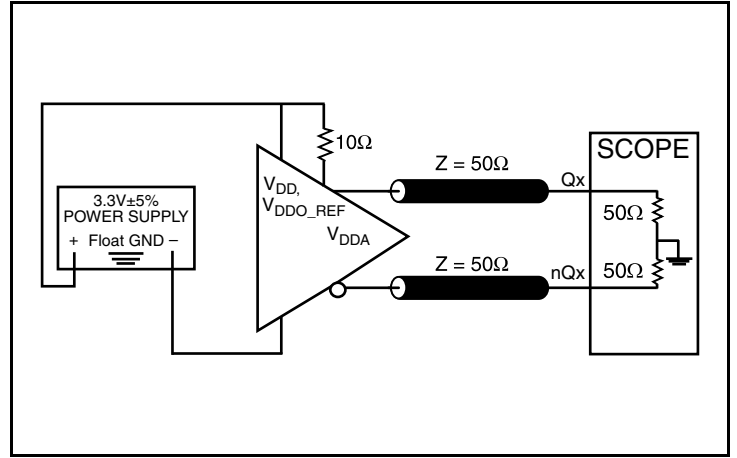
Typical Phase Noise at 156.25MHz (LVDS output)



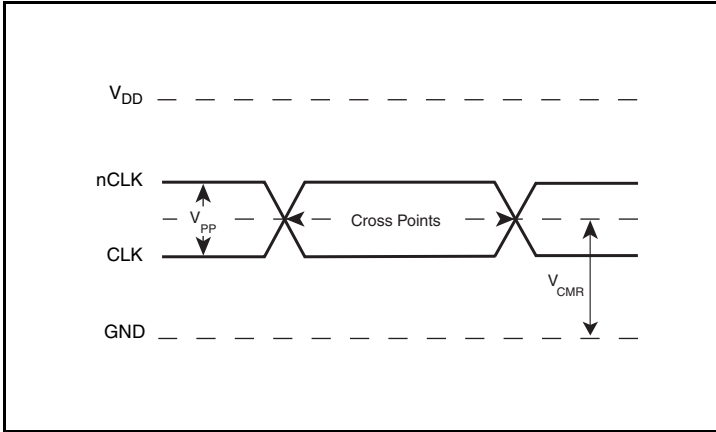
Parameter Measurement Information



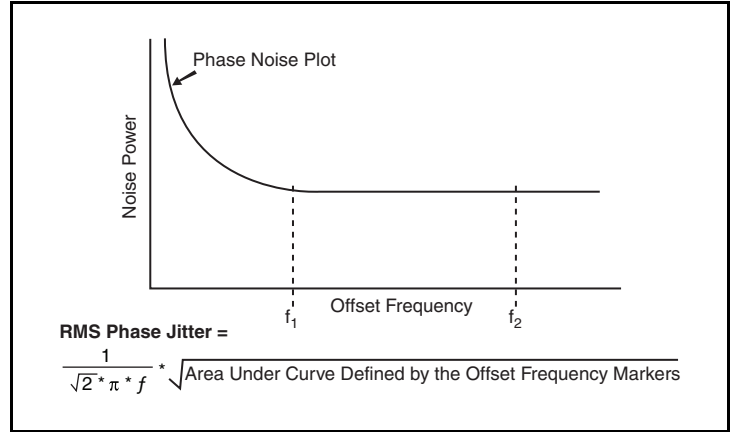
3.3V LVPECL Output Load AC Test Circuit



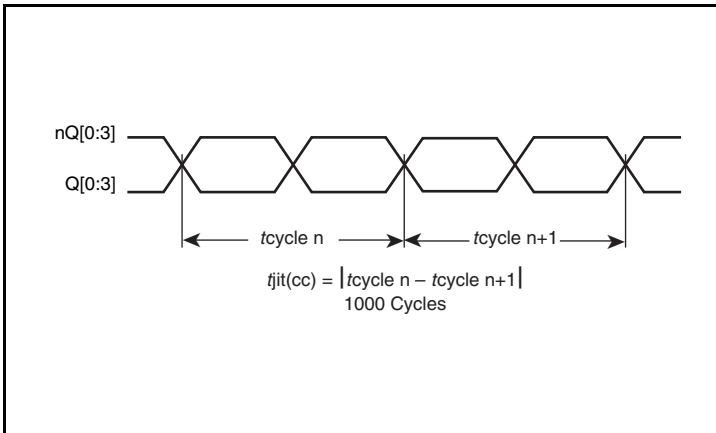
3.3V LVDS Output Load AC Test Circuit



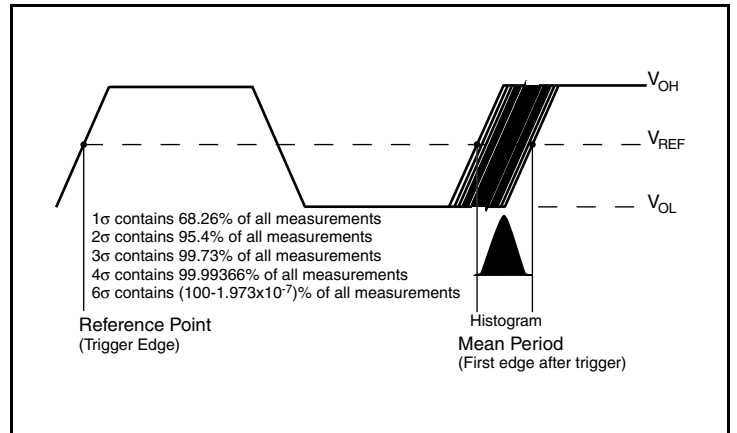
Differential Input Level



RMS Phase Jitter

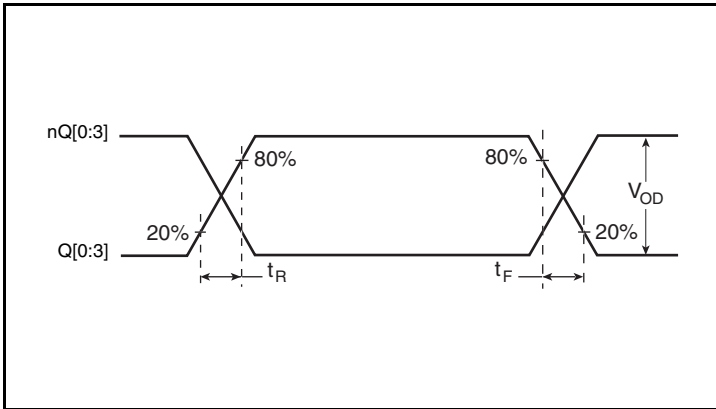


Cycle-to-Cycle Jitter

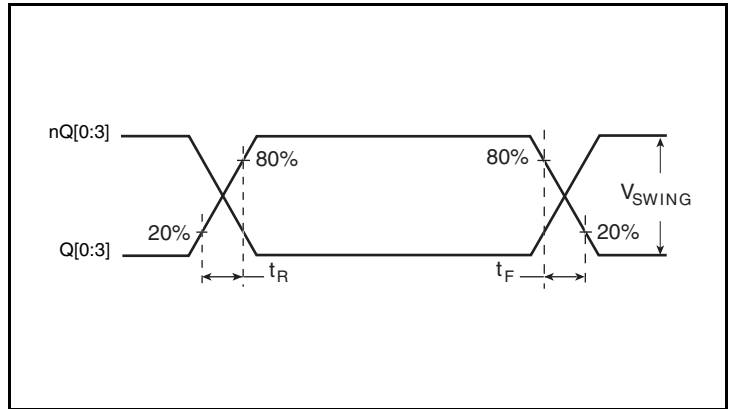


RMS Period Jitter

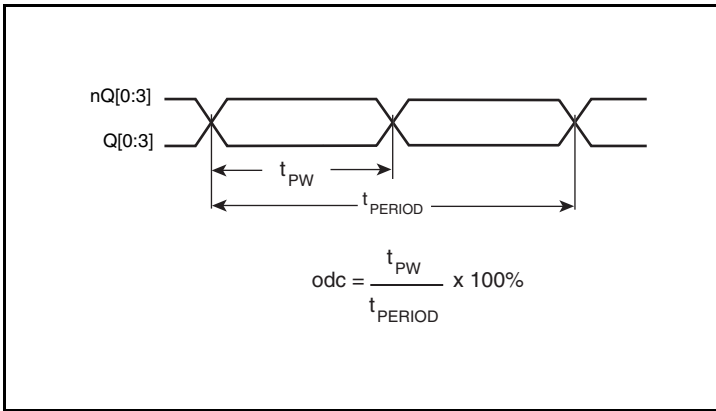
Parameter Measurement Information, continued



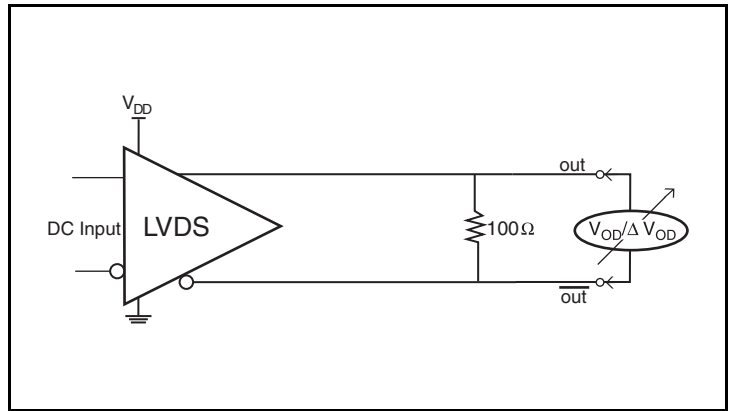
LVDS Output Rise/Fall Time



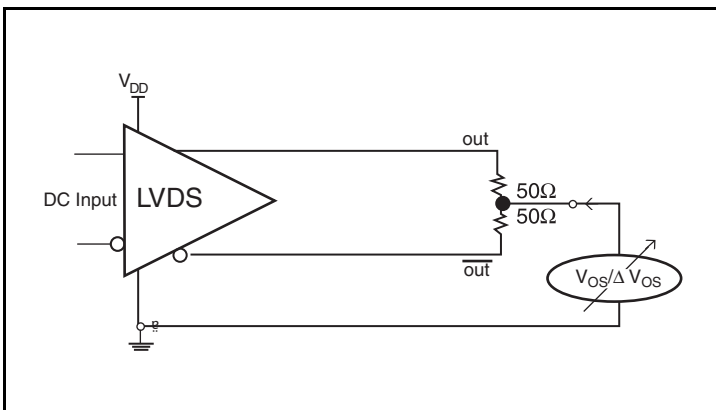
LVPECL Output Rise/Fall Time



Output Duty Cycle/Pulse Width/Period



Differential Output Voltage Setup



Offset Voltage Setup

Applications Information

Recommendations for Unused Input and Output Pins

Inputs:

LVCMOS Control Pins

All control pins have internal pullups or pulldowns; additional resistance is not required but can be added for additional protection. A 1kΩ resistor can be used.

Crystal Inputs

For applications not requiring the use of the crystal oscillator input, both XTAL_IN and XTAL_OUT can be left floating. Though not required, but for additional protection, a 1kΩ resistor can be tied from XTAL_IN to ground.

CLK/nCLK Inputs

For applications not requiring the use of the differential input, both CLK and nCLK can be left floating. Though not required, but for additional protection, a 1kΩ resistor can be tied from CLK to ground.

Outputs:

LVPECL Outputs

All unused LVPECL outputs can be left floating. We recommend that there is no trace attached. Both sides of the differential output pair should either be left floating or terminated.

LVDS Outputs

All unused LVDS output pairs can be either left floating or terminated with 100Ω across. If they are left floating, there should be no trace attached.

Wiring the Differential Input to Accept Single-Ended Levels

Figure 1 shows how a differential input can be wired to accept single ended levels. The reference voltage $V_{REF} = V_{DD}/2$ is generated by the bias resistors R1 and R2. The bypass capacitor (C1) is used to help filter noise on the DC bias. This bias circuit should be located as close to the input pin as possible. The ratio of R1 and R2 might need to be adjusted to position the Vref in the center of the input voltage swing. For example, if the input clock swing is 2.5V and $V_{DD} = 3.3V$, R1 and R2 value should be adjusted to set Vref at 1.25V. The values below are for when both the single ended swing and V_{DD} are at the same voltage. This configuration requires that the sum of the output impedance of the driver (R_o) and the series resistance (R_s) equals the transmission line impedance. In addition, matched termination at the input will attenuate the signal in half. This can be done in one of two ways. First, R3 and R4 in parallel should equal the transmission

line impedance. For most 50Ω applications, R3 and R4 can be 100Ω. The values of the resistors can be increased to reduce the loading for slower and weaker LVCMOS driver. When using single ended signaling, the noise rejection benefits of differential signaling are reduced. Even though the differential input can handle full rail LVCMOS signaling, it is recommended that the amplitude be reduced. The datasheet specifies a lower differential amplitude, however this only applies to differential signals. For single-ended applications, the swing can be larger, however V_{IL} cannot be less than -0.3V and V_{IH} cannot be more than $V_{DD} + 0.3V$. Though some of the recommended components might not be used, the pads should be placed in the layout. They can be utilized for debugging purposes. The datasheet specifications are characterized and guaranteed by using a differential signal.

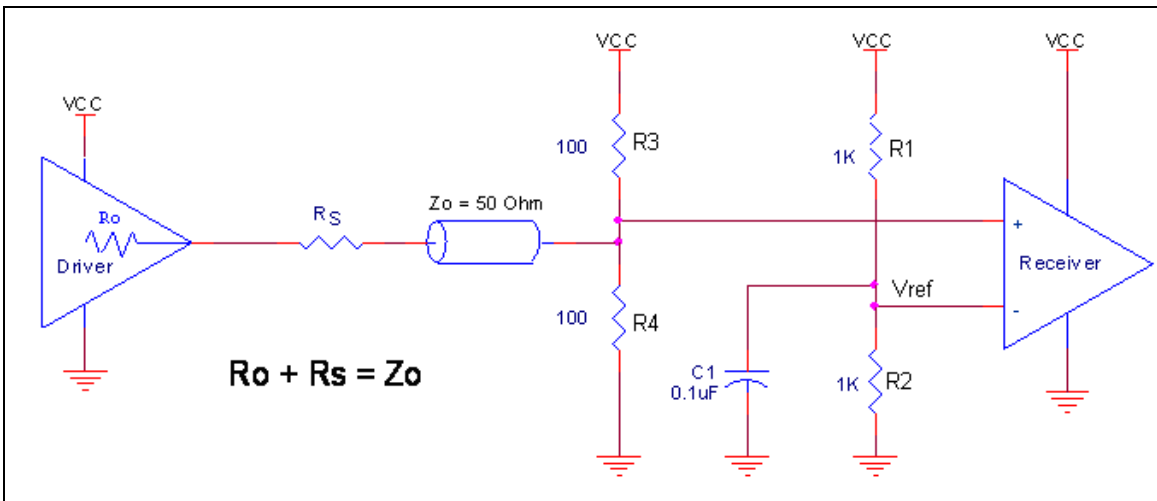


Figure 1. Recommended Schematic for Wiring a Differential Input to Accept Single-ended Levels

Differential Clock Input Interface

The CLK/nCLK accepts LVPECL, LVDS and other differential signals. Both V_{SWING} and V_{OH} must meet the V_{PP} and V_{CMR} input requirements. Figures 2A to 2C show interface examples for the CLK/nCLK input driven by the most common driver types. The input

interfaces suggested here are examples only. If the driver is from another vendor, use their termination recommendation. Please consult with the vendor of the driver component to confirm the driver termination requirements.

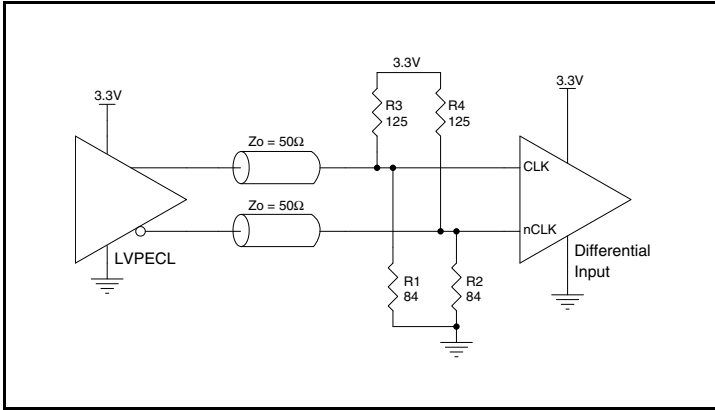


Figure 2A. CLK/nCLK Input Driven by a 3.3V LVPECL Driver

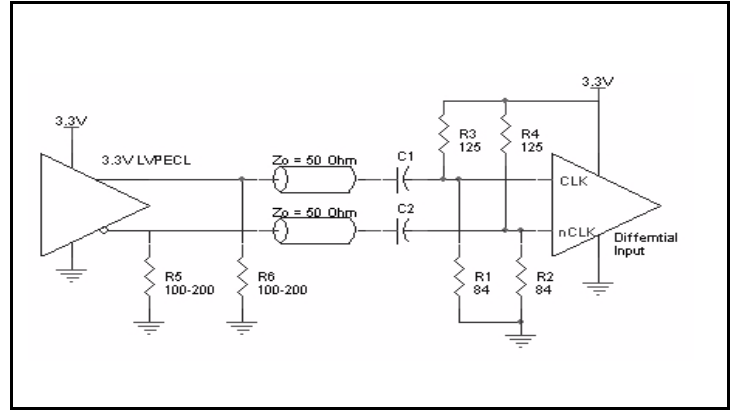


Figure 2B. CLK/nCLK Input Driven by a 3.3V LVPECL Driver with AC Couple

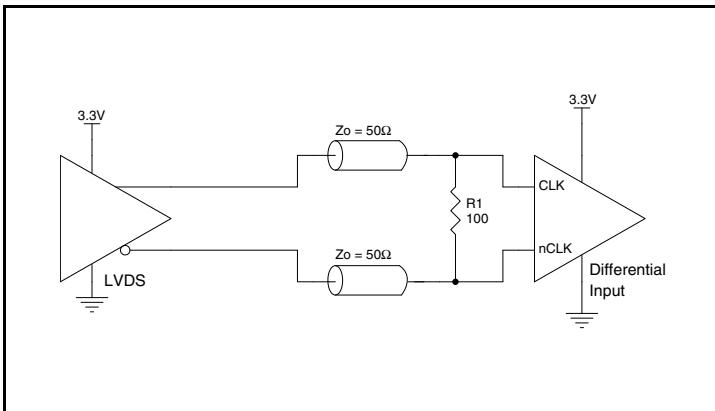


Figure 2C. CLK/nCLK Input Driven by a 3.3V LVDS Driver

Crystal Input Interface

The ICS849N2505I has been characterized with 12pF parallel resonant crystals. The capacitor values, C1 and C2, shown in *Figure 3* below were determined using a 10MHz, 12pF parallel resonant

crystal and were chosen to minimize the ppm error. The optimum C1 and C2 values can be slightly adjusted for different board layouts.

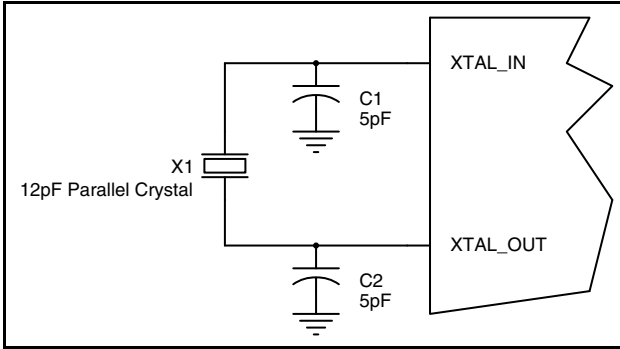


Figure 3. Crystal Input Interface

Overdriving the XTAL Interface

The XTAL_IN input can accept a single-ended LVCMOS signal through an AC coupling capacitor. A general interface diagram is shown in *Figure 4A*. The XTAL_OUT pin can be left floating. The maximum amplitude of the input signal should not exceed 2V and the input edge rate can be as slow as 10ns. This configuration requires that the output impedance of the driver (R_o) plus the series resistance (R_s) equals the transmission line impedance. In addition,

matched termination at the crystal input will attenuate the signal in half. This can be done in one of two ways. First, R1 and R2 in parallel should equal the transmission line impedance. For most 50Ω applications, R1 and R2 can be 100Ω. This can also be accomplished by removing R1 and making R2 50Ω. By overdriving the crystal oscillator, the device will be functional, but note, the device performance is guaranteed by using a quartz crystal.

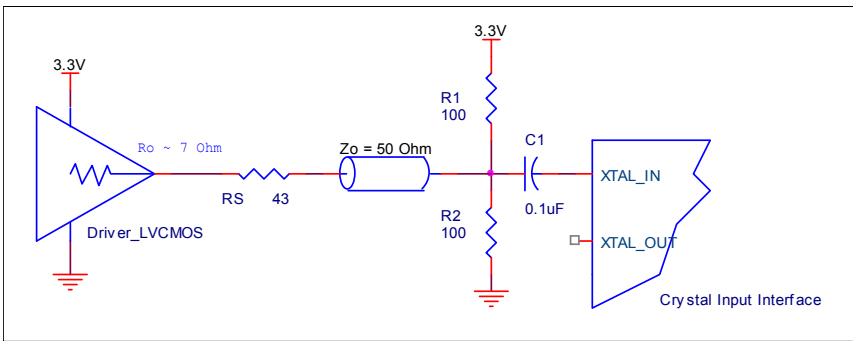


Figure 4A. General Diagram for LVCMOS Driver to XTAL Input Interface

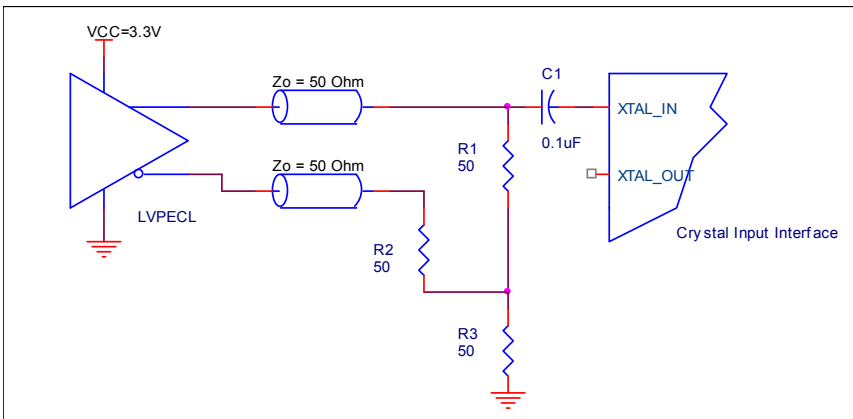


Figure 4B. General Diagram for LVPECL Driver to XTAL Input Interface

LVDS Driver Termination

A general LVDS interface is shown in *Figure 5*. Standard termination for LVDS type output structure requires both a 100Ω parallel resistor at the receiver and a 100Ω differential transmission line environment. In order to avoid any transmission line reflection issues, the 100Ω resistor must be placed as close to the receiver as possible. IDT offers a full line of LVDS compliant devices with two types of output structures: current source and voltage source. The standard

termination schematic as shown in *Figure 5* can be used with either type of output structure. If using a non-standard termination, it is recommended to contact IDT and confirm if the output is a current source or a voltage source type structure. In addition, since these outputs are LVDS compatible, the amplitude and common mode input range of the input receivers should be verified for compatibility with the output.

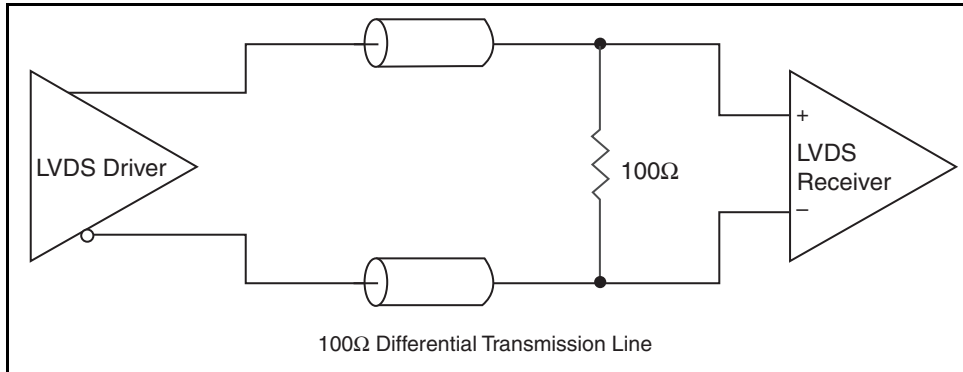


Figure 5. Typical LVDS Driver Termination

Termination for 3.3V LVPECL Outputs

The clock layout topology shown below is a typical termination for LVPECL outputs. The two different layouts mentioned are recommended only as guidelines.

The differential outputs are low impedance follower outputs that generate ECL/LVPECL compatible outputs. Therefore, terminating resistors (DC current path to ground) or current sources must be used for functionality. These outputs are designed to drive 50Ω

transmission lines. Matched impedance techniques should be used to maximize operating frequency and minimize signal distortion. *Figures 6A and 6B* show two different layouts which are recommended only as guidelines. Other suitable clock layouts may exist and it would be recommended that the board designers simulate to guarantee compatibility across all printed circuit and clock component process variations.

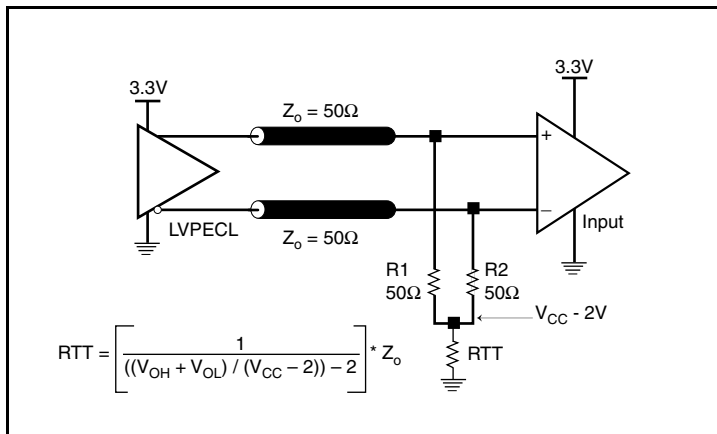


Figure 6A. 3.3V LVPECL Output Termination

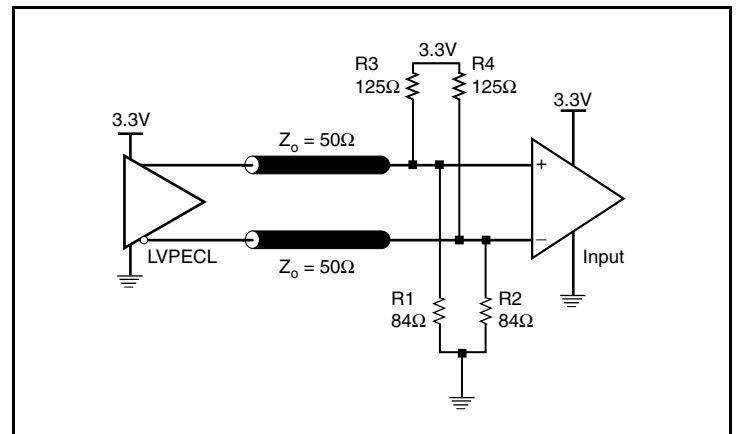


Figure 6B. 3.3V LVPECL Output Termination

VFQFN EPAD Thermal Release Path

In order to maximize both the removal of heat from the package and the electrical performance, a land pattern must be incorporated on the Printed Circuit Board (PCB) within the footprint of the package corresponding to the exposed metal pad or exposed heat slug on the package, as shown in *Figure 7*. The solderable area on the PCB, as defined by the solder mask, should be at least the same size/shape as the exposed pad/slug area on the package to maximize the thermal/electrical performance. Sufficient clearance should be designed on the PCB between the outer edges of the land pattern and the inner edges of pad pattern for the leads to avoid any shorts.

While the land pattern on the PCB provides a means of heat transfer and electrical grounding from the package to the board through a solder joint, thermal vias are necessary to effectively conduct from the surface of the PCB to the ground plane(s). The land pattern must be connected to ground through these vias. The vias act as “heat pipes”. The number of vias (i.e. “heat pipes”) are application specific

and dependent upon the package power dissipation as well as electrical conductivity requirements. Thus, thermal and electrical analysis and/or testing are recommended to determine the minimum number needed. Maximum thermal and electrical performance is achieved when an array of vias is incorporated in the land pattern. It is recommended to use as many vias connected to ground as possible. It is also recommended that the via diameter should be 12 to 13mils (0.30 to 0.33mm) with 1oz copper via barrel plating. This is desirable to avoid any solder wicking inside the via during the soldering process which may result in voids in solder between the exposed pad/slug and the thermal land. Precautions should be taken to eliminate any solder voids between the exposed heat slug and the land pattern. Note: These recommendations are to be used as a guideline only. For further information, please refer to the Application Note on the Surface Mount Assembly of Amkor’s Thermally/Electrically Enhance Leadframe Base Package, Amkor Technology.

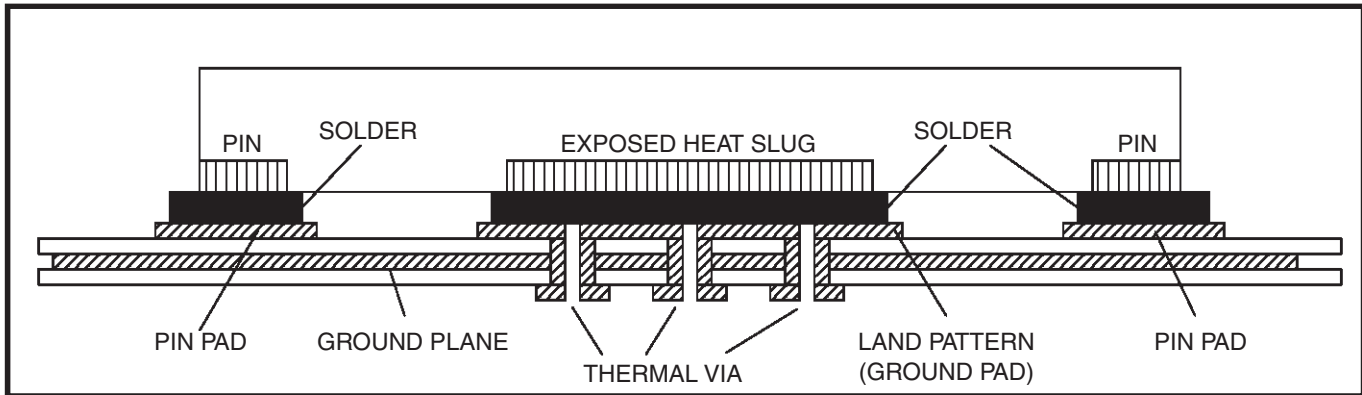


Figure 7. P.C. Assembly for Exposed Pad Thermal Release Path – Side View (drawing not to scale)

Power Considerations (LVPECL)

This section provides information on power dissipation and junction temperature for the ICS849N2505I. Equations and example calculations are also provided.

1. Power Dissipation.

The total power dissipation for the ICS849N2505I is the sum of the core power plus the power dissipated in the load(s). The following is the power dissipation for $V_{DD} = 3.3V + 5\% = 3.465V$, which gives worst case results.

NOTE: Please refer to Section 3 for details on calculating power dissipated in the load.

- Power (core)_{MAX} = $V_{DD_MAX} * I_{EE_MAX} = 3.465V * 200mA = \mathbf{693mW}$
- Power (outputs)_{MAX} = **31.55mW/Loaded Output pair**
If all outputs are loaded, the total power is $5 * 31.55mW = \mathbf{157.75mW}$

Total Power_{MAX} (3.465V, with all outputs switching) = $693mW + 157.75mW = \mathbf{850.75mW}$

2. Junction Temperature.

Junction temperature, T_j , is the temperature at the junction of the bond wire and bond pad and it directly affects the reliability of the device. The maximum recommended junction temperature is 125°C. Limiting the internal transistor junction temperature, T_j , to 125°C ensures that the bond wire and bond pad temperature remains below 125°C.

The equation for T_j is as follows: $T_j = \theta_{JA} * Pd_total + T_A$

T_j = Junction Temperature

θ_{JA} = Junction-to-Ambient Thermal Resistance

Pd_total = Total Device Power Dissipation (example calculation is in section 1 above)

T_A = Ambient Temperature

In order to calculate junction temperature, the appropriate junction-to-ambient thermal resistance θ_{JA} must be used. Assuming no air flow and a multi-layer board, the appropriate value is 33.1°C/W per Table 7 below.

Therefore, T_j for an ambient temperature of 85°C with all outputs switching is:

$$85^\circ\text{C} + 0.851\text{W} * 33.1^\circ\text{C/W} = 113.2^\circ\text{C}. \text{ This is below the limit of } 125^\circ\text{C}.$$

This calculation is only an example. T_j will obviously vary depending on the number of loaded outputs, supply voltage, air flow and the type of board (multi-layer).

Table 7. Thermal Resistance θ_{JA} for 32 Lead VFQFN, Forced Convection

θ_{JA} by Velocity			
Meters per Second	0	1	3
Multi-Layer PCB, JEDEC Standard Test Boards	33.1°C/W	28.1°C/W	25.4°C/W

3. Calculations and Equations.

The purpose of this section is to calculate the power dissipation for the LVPECL output pairs.

LVPECL output driver circuit and termination are shown in *Figure 8*.

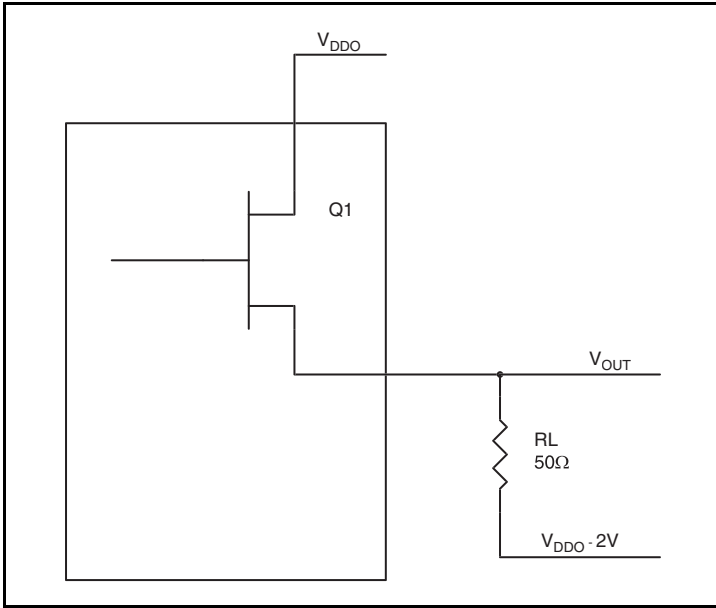


Figure 8. LVPECL Driver Circuit and Termination

To calculate worst case power dissipation into the load, use the following equations which assume a 50Ω load, and a termination voltage of V_{DD} - 2V.

- For logic high, V_{OUT} = V_{OH_MAX} = V_{DD_MAX} - 0.75V
(V_{DD_MAX} - V_{OH_MAX}) = 0.75V
- For logic low, V_{OUT} = V_{OL_MAX} = V_{DD_MAX} - 1.6V
(V_{DD_MAX} - V_{OL_MAX}) = 1.6V

Pd_H is power dissipation when the output drives high.

Pd_L is the power dissipation when the output drives low.

$$Pd_H = [(V_{OH_MAX} - (V_{DD_MAX} - 2V))/R_L] * (V_{DD_MAX} - V_{OH_MAX}) = [(2V - (V_{DD_MAX} - 2V))/R_L] * (V_{DD_MAX} - V_{OH_MAX}) = [(2V - 0.75V)/50\Omega] * 0.75V = 18.75mW$$

$$Pd_L = [(V_{OL_MAX} - (V_{DD_MAX} - 2V))/R_L] * (V_{DD_MAX} - V_{OL_MAX}) = [(2V - (V_{DD_MAX} - 2V))/R_L] * (V_{DD_MAX} - V_{OL_MAX}) = [(2V - 1.6V)/50\Omega] * 1.6V = 12.80mW$$

Total Power Dissipation per output pair = Pd_H + Pd_L = 31.55mW

Power Considerations (LVDS Outputs)

This section provides information on power dissipation and junction temperature for the ICS849N2505I. Equations and example calculations are also provided.

1. Power Dissipation.

The total power dissipation for the ICS849N2505I is the sum of the core power plus the analog power plus the power dissipation in the load(s). The following is the power dissipation for $V_{DD} = 3.3V + 5\% = 3.465V$, which gives worst case results.

NOTE: Please refer to Section 3 for details on calculating power dissipation in the load.

- Power (core)_{MAX} = $V_{DD_MAX} * (I_{DD_MAX} + I_{DDA_MAX}) = 3.465V * (223mA + 35mA) = \mathbf{893.97mW}$
- Power (outputs)_{MAX} = $V_{DDO_MAX} * I_{DDO_REF_MAX} = 3.465V * 53mA = \mathbf{183.645mW}$

Total Power_{MAX} = $893.97mW + 183.645mW = \mathbf{1077.615mW}$

2. Junction Temperature.

Junction temperature, T_j , is the temperature at the junction of the bond wire and bond pad, and directly affects the reliability of the device. The maximum recommended junction temperature is 125°C. Limiting the internal transistor junction temperature, T_j , to 125°C ensures that the bond wire and bond pad temperature remains below 125°C.

The equation for T_j is as follows: $T_j = \theta_{JA} * Pd_total + T_A$

T_j = Junction Temperature

θ_{JA} = Junction-to-Ambient Thermal Resistance

Pd_total = Total Device Power Dissipation (example calculation is in section 1 above)

T_A = Ambient Temperature

In order to calculate junction temperature, the appropriate junction-to-ambient thermal resistance θ_{JA} must be used. Assuming no air flow and a multi-layer board, the appropriate value is 33.1°C/W per Table 8 below.

Therefore, T_j for an ambient temperature of 85°C with all outputs switching is:

$$85^\circ\text{C} + 1.078\text{W} * 33.1^\circ\text{C/W} = 120.7^\circ\text{C}. \text{ This is below the limit of } 125^\circ\text{C}.$$

This calculation is only an example. T_j will obviously vary depending on the number of loaded outputs, supply voltage, air flow and the type of board (multi-layer).

Table 8. Thermal Resistance θ_{JA} for 32 Lead VFQFN, Forced Convection

θ_{JA} by Velocity			
Meters per Second	0	1	3
Multi-Layer PCB, JEDEC Standard Test Boards	33.1°C/W	28.1°C/W	25.4°C/W

Reliability Information

Table 9. θ_{JA} vs. Air Flow Table for a 32 Lead VFQFN

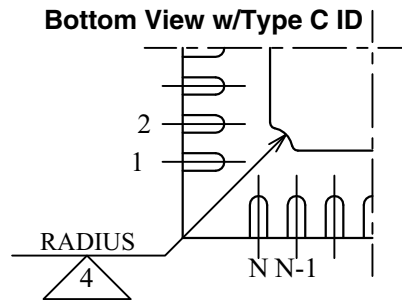
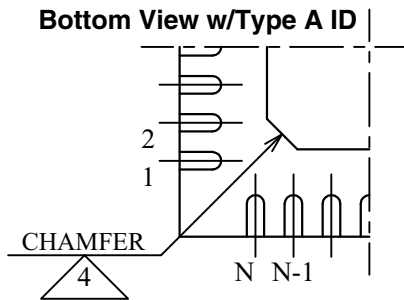
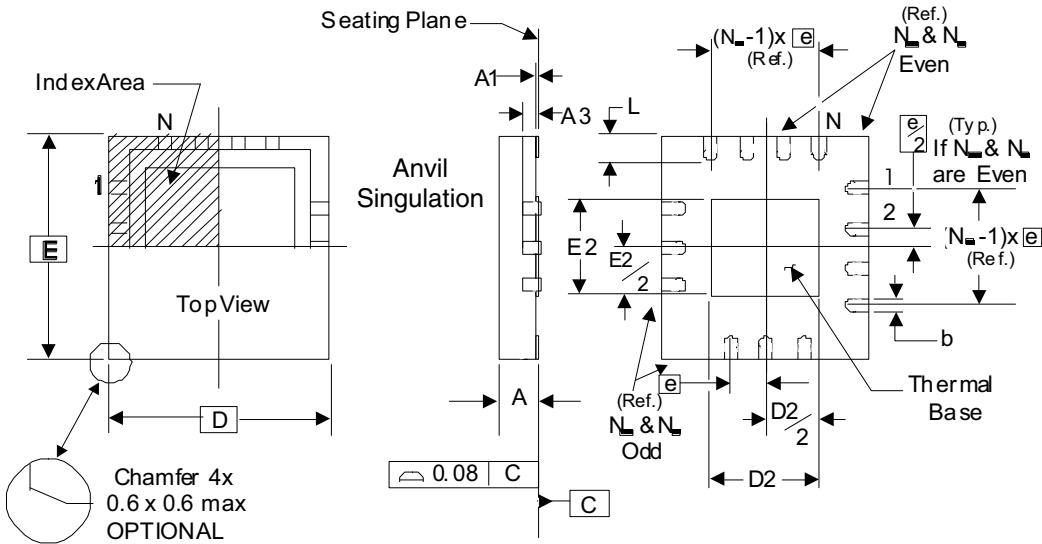
θ_{JA} vs. Air Flow			
Meters per Second	0	1	3
Multi-Layer PCB, JEDEC Standard Test Boards	33.1°C/W	28.1°C/W	25.4°C/W

Transistor Count

The transistor count for ICS849N2505I is: 23,974

Package Outline and Package Dimensions

Package Outline - K Suffix for 32 Lead VFQFN



There are 2 methods of indicating pin 1 corner at the back of the VFQFN package are:

1. Type A: Chamfer on the paddle (near pin 1)
2. Type C: Mouse bite on the paddle (near pin 1)

Table 10. Package Dimensions

JEDEC Variation: VHHD-2/-4 All Dimensions in Millimeters			
Symbol	Minimum	Nominal	Maximum
N	32		
A	0.80		1.00
A1	0		0.05
A3	0.25 Ref.		
b	0.18	0.25	0.30
N _D & N _E	8		
D & E	5.00 Basic		
D2 & E2	3.0		3.3
e	0.50 Basic		
L	0.30	0.40	0.50

Reference Document: JEDEC Publication 95, MO-220

The following package mechanical drawing is a generic drawing that applies to any pin count VFQFN package. This drawing is not intended to convey the actual pin count or pin layout of this device. The pin count and pinout are shown on the front page. The package dimensions are in Table 10.

Ordering Information

Table 11. Ordering Information

Part/Order Number	Marking	Package	Shipping Packaging	Temperature
849N2505AKILF	ICSN2505AIL	"Lead-Free" 32 Lead VFQFN	Tray	-40°C to +85°C
849N2505AKILFT	ICSN2505AIL	"Lead-Free" 32 Lead VFQFN	2500 Tape & Reel	-40°C to +85°C

NOTE: Parts that are ordered with an "LF" suffix to the part number are the Pb-Free configuration and are RoHS compliant.

Revision History Sheet

Rev	Table	Page	Description of Change	Date
B	T6A -T6B	6 20	AC Characterisitcs Tables - updated Period Jitter specs. Updated Package Outline.	11/9/10
B	AMR	4	Per Errata NEN-11-03; changed AMR from 4.6V to 3.63V	10/11/12

IMPORTANT NOTICE AND DISCLAIMER

RENESAS ELECTRONICS CORPORATION AND ITS SUBSIDIARIES (“RENESAS”) PROVIDES TECHNICAL SPECIFICATIONS AND RELIABILITY DATA (INCLUDING DATASHEETS), DESIGN RESOURCES (INCLUDING REFERENCE DESIGNS), APPLICATION OR OTHER DESIGN ADVICE, WEB TOOLS, SAFETY INFORMATION, AND OTHER RESOURCES “AS IS” AND WITH ALL FAULTS, AND DISCLAIMS ALL WARRANTIES, EXPRESS OR IMPLIED, INCLUDING, WITHOUT LIMITATION, ANY IMPLIED WARRANTIES OF MERCHANTABILITY, FITNESS FOR A PARTICULAR PURPOSE, OR NON-INFRINGEMENT OF THIRD-PARTY INTELLECTUAL PROPERTY RIGHTS.

These resources are intended for developers who are designing with Renesas products. You are solely responsible for (1) selecting the appropriate products for your application, (2) designing, validating, and testing your application, and (3) ensuring your application meets applicable standards, and any other safety, security, or other requirements. These resources are subject to change without notice. Renesas grants you permission to use these resources only to develop an application that uses Renesas products. Other reproduction or use of these resources is strictly prohibited. No license is granted to any other Renesas intellectual property or to any third-party intellectual property. Renesas disclaims responsibility for, and you will fully indemnify Renesas and its representatives against, any claims, damages, costs, losses, or liabilities arising from your use of these resources. Renesas' products are provided only subject to Renesas' Terms and Conditions of Sale or other applicable terms agreed to in writing. No use of any Renesas resources expands or otherwise alters any applicable warranties or warranty disclaimers for these products.

(Disclaimer Rev.1.01)

Corporate Headquarters

TOYOSU FORESIA, 3-2-24 Toyosu,
Koto-ku, Tokyo 135-0061, Japan
www.renesas.com

Trademarks

Renesas and the Renesas logo are trademarks of Renesas Electronics Corporation. All trademarks and registered trademarks are the property of their respective owners.

Contact Information

For further information on a product, technology, the most up-to-date version of a document, or your nearest sales office, please visit www.renesas.com/contact-us/.