

ISL3298EMRTEP

16kV ESD Protected, +125°C, 3.0V to 5.5V, TDFN Packaged, Low Power
RS-485/RS-422 Transmitter

FN7607
Rev.2.00
Oct 24, 2019

The [ISL3298EMRTEP](#) is a ±16.5kV HBM ESD Protected (7kV IEC61000 contact), 3.0V to 5.5V powered, single transmitter for balanced communication using the RS-485 and RS-422 standards. This driver has very low bus currents (±40mA); therefore, it presents less than a 1/8 unit load to the RS-485 bus. This allows more than 256 transmitters on the network without violating the RS-485 specification 32 unit load maximum, and without using repeaters.

Hot Plug circuitry ensures that the Tx outputs remain in a high impedance state while the power supply stabilizes.

The driver on the ISL3298EMRTEP is not limited, so it can achieve a 16Mbps data rate and is offered in the -55°C to +125°C temperature range.

This devices also feature a logic supply pin (V_L) that sets the switching points of the DE and DI inputs to be compatible with a lower supply voltage in mixed voltage systems.

For a companion single RS-485 receiver in micro packages, see the [ISL3282EMRTEP](#) datasheet.

Applications

- Clock distribution
- High node count systems
- Space constrained systems
- Security camera networks
- Building environmental control/lighting systems
- Industrial/process control networks

Related Literature

For a full list of related documents, visit our website:

- [ISL3298EMRTEP](#) device page

Features

- Specifications per DLA VID V62/10602
- Full mil-temp electrical performance from -55°C to +125°C
- Controlled baseline with one wafer fabrication site and one assembly/test site
- Full homogeneous lot processing in wafer fab
- No combination of wafer fabrication lots in assembly
- Full traceability through assembly and test by date/trace code assignment
- Enhanced process change notification
- Enhanced obsolescence management
- Eliminates need for up-screening a COTS component
- High ESD protection on RS-485 outputs ±16.5kV HBM
 - IEC61000-4-2 contact test method ±7kV
 - Class 3 ESD level on all other pins. >8kV HBM
- Specified for +125°C operation ($V_{CC} \leq 3.6V$ only)
- Logic supply pin (V_L) eases operation in mixed supply systems
- Hot plug - Tx output remains tri-state during power-up
- Low Tx leakage allows >256 devices on the Bus
- High data rates. up to 16Mbps
- Low quiescent supply current. 150µA (Max)
 - Very low shutdown supply current 1µA (Max)
- -7V to +12V Common Mode Output Voltage Range ($V_{CC} \leq 3.6V$ Only)
- Current limiting and thermal shutdown for driver overload protection ($V_{CC} \leq 3.6V$ Only)
- Tri-statable Tx output
- 5V tolerant logic input when $V_{CC} \leq 5V$

TABLE 1. SUMMARY OF FEATURES

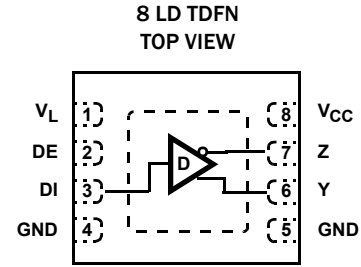
| PART NUMBER | FUNCTION | DATA RATE (Mbps) | SLEW-RATE LIMITED? | HOT PLUG? | V_L PIN? | TX ENABLE? | MAXIMUM QUIESCENT I_{CC} (µA) | LOW POWER SHUTDOWN? | PIN COUNT |
|---------------|----------|------------------|--------------------|-----------|------------|------------|---------------------------------|---------------------|-----------|
| ISL3298EMRTEP | 1 Tx | 16 | NO | YES | YES | YES | 150 | YES | 8-TDFN |

Truth Table

| TRANSMITTING | | | |
|--------------|----|----------|----------|
| INPUTS | | OUTPUTS | |
| DE | DI | Z | Y |
| 1 | 1 | 0 | 1 |
| 1 | 0 | 1 | 0 |
| 0 | X | High-Z * | High-Z * |

NOTE: *Shutdown Mode

Pin Configuration



Pin Descriptions

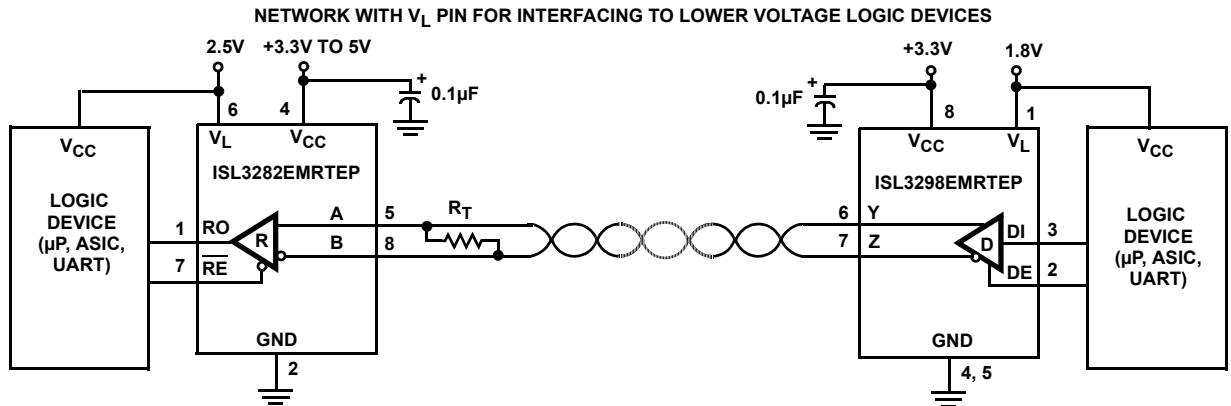
| PIN NUMBER | PIN SYMBOL | FUNCTION |
|------------|-----------------|--|
| 1 | V _L | Logic-Level supply which sets the V _{IL} /V _{IH} levels for the DI and DE pins. Power-up this supply after V _{CC} , and keep V _L ≤ V _{CC} . |
| 2 | DE | Driver output enable. The driver outputs, Y and Z, are enabled by bringing DE high, and are high impedance when DE is low. If the driver enable function isn't needed, connect DE to V _{CC} (or V _L) through a 1kΩ to 3kΩ resistor. |
| 3 | DI | Driver input. A low on DI forces output Y low and output Z high. Similarly, a high on DI forces output Y high and output Z low. |
| 4, 5 | GND | Ground connection. This is also the potential of the TDFN thermal pad. |
| 6 | Y | ±15kV HBM, ±7kV IEC61000 (contact method) ESD Protected RS-485/422 level, noninverting transmitter output. |
| 7 | Z | ±15kV HBM, ±7kV IEC61000 (contact method) ESD Protected RS-485/422 level, inverting transmitter output. |
| 8 | V _{CC} | System power supply input (3.0V to 5.5V). On devices with a V _L pin, power-up V _{CC} first. |

Ordering Information

| PART NUMBER (Note) | VENDOR ITEM DRAWING | PART MARKING | TEMP. RANGE (°C) | TAPE AND REEL (Units) | PACKAGE | PKG. DWG. # |
|-----------------------|------------------------|-----------------|---------------------|--------------------------|-----------|----------------|
| ISL3298EMRTEP-TK | V62/10602-01XB | 298 | -55 to +125 | 1k | 8 Ld TDFN | L8.2X3A |

NOTE: See [TB347](#) for details about reel specifications.

Typical Operating Circuit



Test Circuits and Waveforms

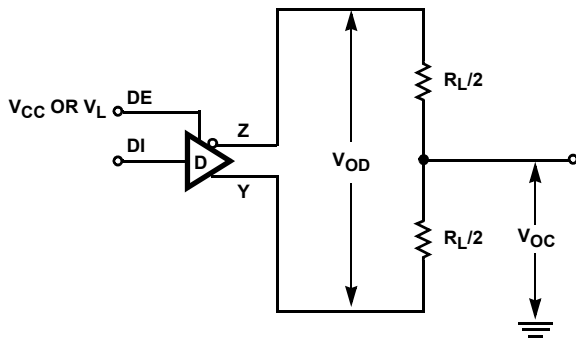


FIGURE 1A. V_{OD} AND V_{OC}

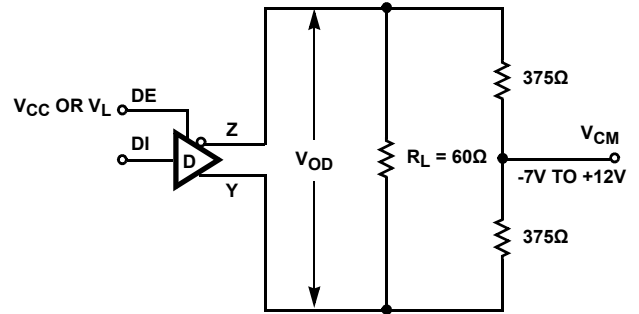


FIGURE 1B. V_{OD} WITH COMMON MODE LOAD

FIGURE 1. DC DRIVER TEST CIRCUITS

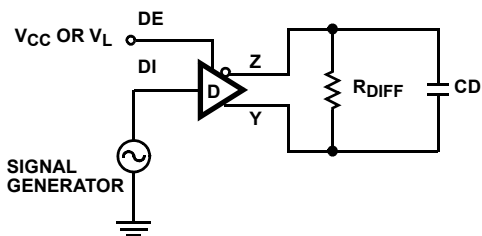
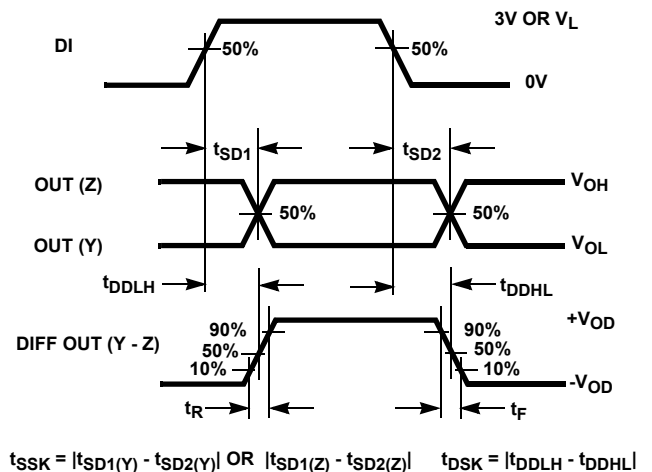


FIGURE 2A. TEST CIRCUIT

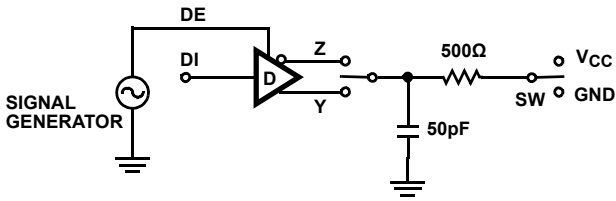


$$t_{SSK} = |t_{SD1(Y)} - t_{SD2(Y)}| \text{ OR } |t_{SD1(Z)} - t_{SD2(Z)}| \quad t_{DSK} = |t_{DDLH} - t_{DDHL}|$$

FIGURE 2B. MEASUREMENT POINTS

FIGURE 2. DRIVER PROPAGATION DELAY AND DIFFERENTIAL TRANSITION TIMES

Test Circuits and Waveforms (Continued)



| PARAMETER | OUTPUT | DI | SW |
|-----------|--------|-----|----------|
| t_{HZ} | Y/Z | 1/0 | GND |
| t_{LZ} | Y/Z | 0/1 | V_{CC} |
| t_{ZH} | Y/Z | 1/0 | GND |
| t_{ZL} | Y/Z | 0/1 | V_{CC} |

FIGURE 3A. TEST CIRCUIT

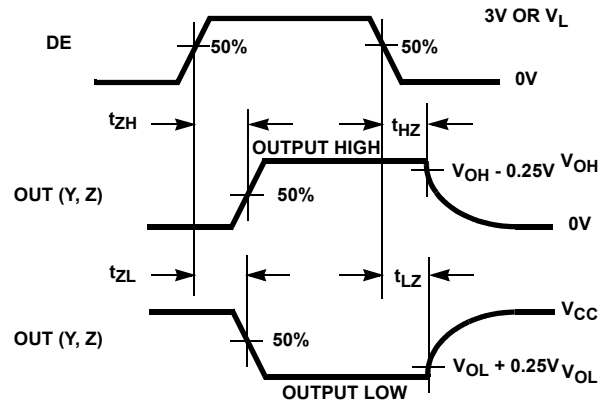


FIGURE 3B. MEASUREMENT POINTS

FIGURE 3. DRIVER ENABLE AND DISABLE TIMES

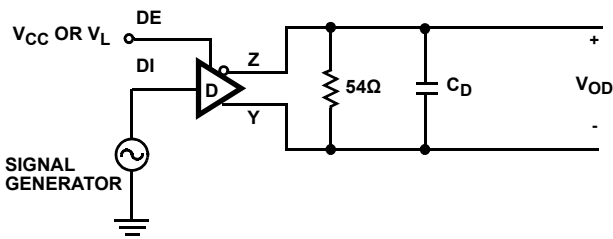


FIGURE 4A. TEST CIRCUIT

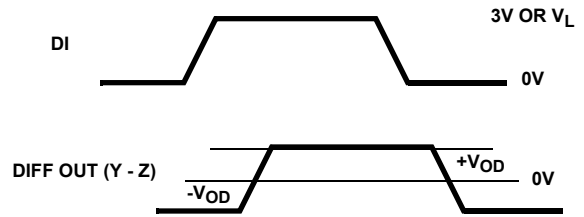


FIGURE 4B. MEASUREMENT POINTS

FIGURE 4. DRIVER DATA RATE

Applications Information

RS-485 and RS-422 are differential (balanced) data transmission standards for use in long haul or noisy environments. RS-422 is a subset of RS-485, so RS-485 transmitters and receivers are also RS-422 compliant. RS-422 is a point-to-multipoint (multidrop) standard, which allows only one driver and up to 10 (assuming one unit load devices) receivers on each bus. RS-485 is a true multipoint standard that allows up to 32 one unit load devices (any combination of drivers and receivers) on each bus. To allow for multipoint operation, the RS-485 specification requires that drivers must handle bus contention without sustaining any damage.

Another important advantage of RS-485 is the extended common mode range (CMR), which specifies that the driver outputs and receiver inputs withstand signals that range from +12V to -7V. RS-422 and RS-485 are intended for runs as long as 4000', so the wide CMR is necessary to handle ground potential differences, as well as voltages induced in the cable by external fields.

Driver Features

This RS-485/RS-422 driver is a differential output device that delivers at least 1.5V across a 54Ω load (RS-485), and at least 2V across a 100Ω load (RS-422). The drivers feature low propagation delay skew to maximize bit width, and to minimize EMI.

The driver is tri-statable via the active high DE input. If the Tx enable function isn't needed, tie DE to V_{CC} (or V_L) through a 1kΩ to 3kΩ resistor.

The ISL3298EMRTEP's output transition times allow data rates of at least 16Mbps.

Wide Supply Range

The ISL3298EMRTEP is optimized for 3.3V operation, but can be operated with supply voltages as high as 5.5V. This device meets the RS-422 and RS-485 specifications for supply voltages less than 4V, and is RS-422 and RS-485 compatible for supplies greater than 4V. Operation at +125°C requires $V_{CC} \leq 3.6V$, while 5V operation requires adding output current limiting resistors (as described in the ["Driver Overload Protection" on page 6](#)) if output short circuits (e.g., from bus contention) are a possibility.

5.5V Tolerant Logic Pins

Logic input pins (DI, DE) contain no ESD nor parasitic diodes to V_{CC} (nor to V_L), so they withstand input voltages exceeding 5.5V regardless of the V_{CC} and V_L voltages (see [Figure 5](#)).

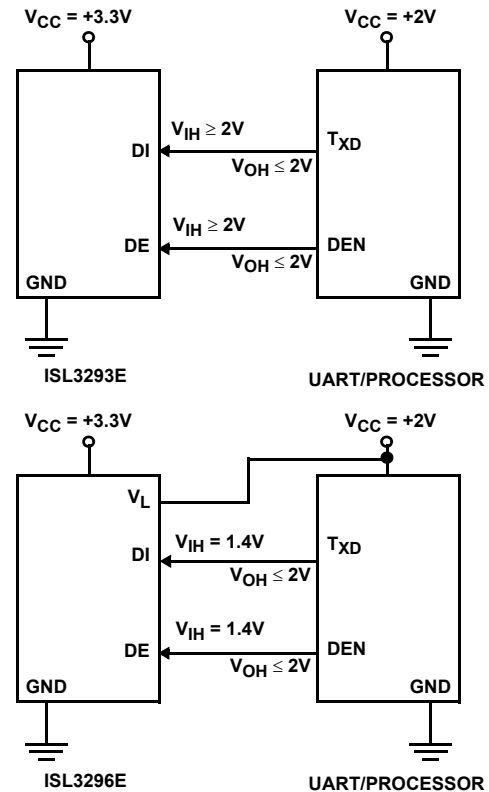


FIGURE 5. USING V_L PIN TO ADJUST LOGIC LEVELS

Logic Supply (V_L Pin)

Note: Power-up V_{CC} before powering up the V_L supply.

The ISL3298EMRTEP includes a V_L pin that powers the logic inputs (DI and DE). These pins interface with "logic" devices such as UARTs, ASICs, and μ controllers, and today most of these devices use power supplies significantly lower than 3.3V. Thus, the logic device's low V_{OH} might not exceed the V_{IH} of a 3.3V or 5V powered DI or DE input. Connecting the V_L pin to the power supply of the logic device (as shown in [Figure 5](#)) reduces the DI and DE input switching points to values compatible with the logic device's output levels. Tailoring the logic pin input switching points and output levels to the supply voltage of the UART, ASIC, or μ controller eliminates the need for a level shifter/translator between the two ICs.

V_L can be anywhere from V_{CC} down to 1.35V, but the input switching points may not provide enough noise margin, and 16Mbps data rates may not be achievable, when $V_L < 1.5V$. The E.C. table in the SMD indicates typical V_{IH} and V_{IL} values for various V_L settings so the user can ascertain whether or not a particular V_L voltage meets his/her needs.

The V_L supply current (I_L) is typically much less than 20 μ A, as shown in [Figure 9 on page 7](#), when DE and DI are above/below V_{IH}/V_{IL} .

Hot Plug Function

When a piece of equipment powers-up, there is a period of time where the processor or ASIC driving the RS-485 control line (DE) is unable to ensure that the RS-485 Tx outputs are kept disabled. If the equipment is connected to the bus, a driver activating prematurely during power up may crash the bus. To avoid this scenario, the ISL3298EMRTEP incorporates a “Hot Plug” function. During power-up, circuitry monitoring V_{CC} ensures that the Tx outputs remain disabled for a period of time, regardless of the state of DE. This gives the processor/ASIC a chance to stabilize and drive the RS-485 control lines to the proper states.

ESD Protection

All pins on this device includes class 3 (8kV) Human Body Model (HBM) ESD protection structures, but the RS-485 pins (driver outputs) incorporate advanced structures allowing it to survive ESD events in excess of $\pm 16.5\text{kV}$ HBM and $\pm 7\text{kV}$ to the IEC61000 contact test method. The RS-485 pins are particularly vulnerable to ESD damage because they typically connect to an exposed port on the exterior of the finished product. Simply touching the port pins, or connecting a cable, can cause an ESD event that might destroy unprotected ICs. These new ESD structures protect the device whether or not it is powered up, and without degrading the RS-485 common mode range of -7V to $+12\text{V}$. This built-in ESD protection eliminates the need for board level protection structures (e.g., transient suppression diodes), and the associated, undesirable capacitive load they present.

Data Rate, Cables, and Terminations

RS-485/RS-422 are intended for network lengths up to 4000', but the maximum system data rate decreases as the transmission length increases. Devices operating at 16Mbps are limited to lengths less than 100'.

Twisted pair is the cable of choice for RS-485/RS-422 networks. Twisted pair cables tend to pick up noise and other electromagnetically induced voltages as common mode signals, which are effectively rejected by the differential receivers in these ICs. Proper termination is imperative, to minimize reflections.

In point-to-point, or point-to-multipoint (single driver on bus) networks, the main cable should be terminated in its characteristic impedance (typically 120Ω) at the end farthest from the driver. In multi-receiver applications, stubs connecting receivers to the main cable should be kept as short as possible. Multipoint (multi-driver) systems require that the main cable be terminated in its characteristic impedance at both ends. Stubs connecting a transmitter or receiver to the main cable should be kept as short as possible.

Driver Overload Protection

As stated previously, the RS-485 specification requires that drivers survive worst case bus contentions undamaged. These drivers meet this requirement, for $V_{CC} \leq 3.6\text{V}$, via driver output short circuit current limits, and on-chip thermal shutdown circuitry.

The driver output stages incorporate short circuit current limiting circuitry which ensures that the output current never exceeds the RS-485 specification, for $V_{CC} \leq 3.6\text{V}$, even at the common mode voltage range extremes. Additionally, these devices utilize a foldback circuit which reduces the short circuit current, and thus the power dissipation, whenever the contending voltage exceeds either V_{CC} or GND.

In the event of a major short circuit condition, devices also include a thermal shutdown feature that disables the drivers whenever the die temperature becomes excessive. This eliminates the power dissipation, allowing the die to cool. The drivers automatically re-enable after the die temperature drops about $+20^\circ\text{C}$. If the contention persists, the thermal shutdown/re-enable cycle repeats until the fault is cleared.

At $V_{CC} > 3.6\text{V}$, the instantaneous short circuit current is high enough that output stage damage may occur during short circuit conditions to voltages outside of GND to V_{CC} , before the short circuit limiting and thermal shutdown activate. For $V_{CC} = 5\text{V}$ operation, if output short circuits are a possibility (e.g., due to bus contention), it is recommended that a 5Ω resistor be inserted in series with each output. This resistor limits the instantaneous current below levels that can cause damage. The driver V_{OD} at $V_{CC} = 5\text{V}$ is so large that this small added resistance has little impact.

High Temperature Operation

Due to power dissipation and instantaneous output short circuit current levels at $V_{CC} = 5\text{V}$, these transmitters may not be operated at $+125^\circ\text{C}$ with $V_{CC} > 3.6\text{V}$.

At $V_{CC} = 3.6\text{V}$, the device may be operated at $+125^\circ\text{C}$, while driving a 100', double terminated, CAT 5 cable at 16Mbps, without triggering the thermal SHDN circuit.

Low Power Shutdown Mode

This BiCMOS transmitter uses a fraction of the power required by its bipolar counterparts and it also includes a shutdown feature that reduces the already low quiescent I_{CC} to a $1\mu\text{A}$ trickle. This device enters shutdown whenever the driver disables (DE = GND).

Typical Performance Curves $V_{CC} = V_L = 3.3V, T_A = +25^\circ C$; Unless Otherwise Specified

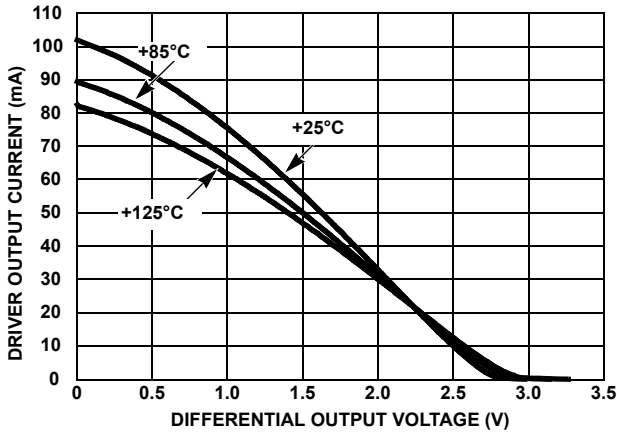


FIGURE 6. DRIVER OUTPUT CURRENT vs DIFFERENTIAL OUTPUT VOLTAGE

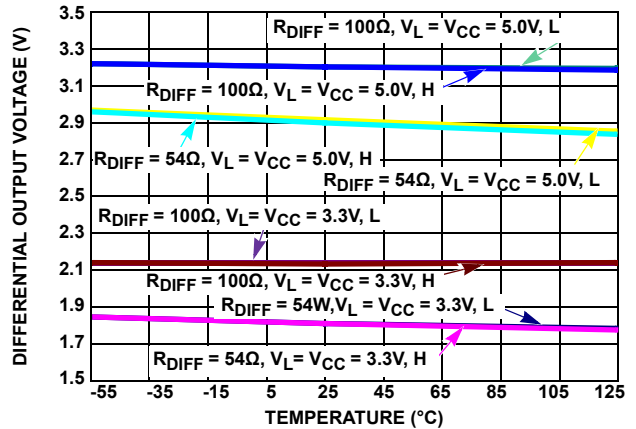


FIGURE 7. DRIVER DIFFERENTIAL OUTPUT VOLTAGE vs TEMPERATURE

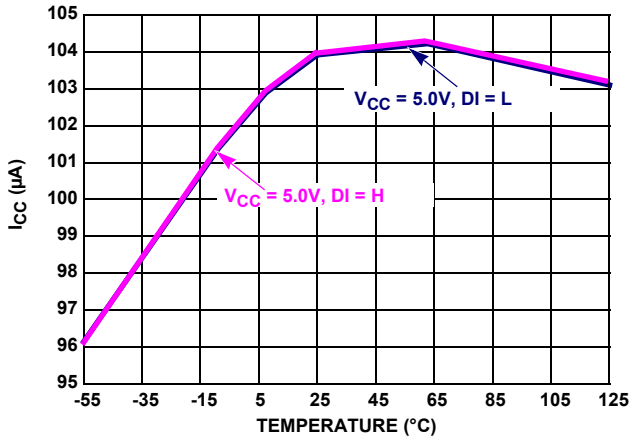


FIGURE 8. SUPPLY CURRENT vs TEMPERATURE

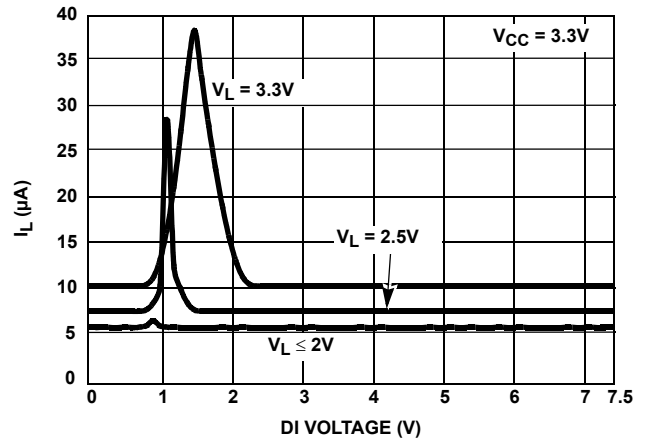


FIGURE 9. V_L SUPPLY CURRENT vs LOGIC PIN VOLTAGE

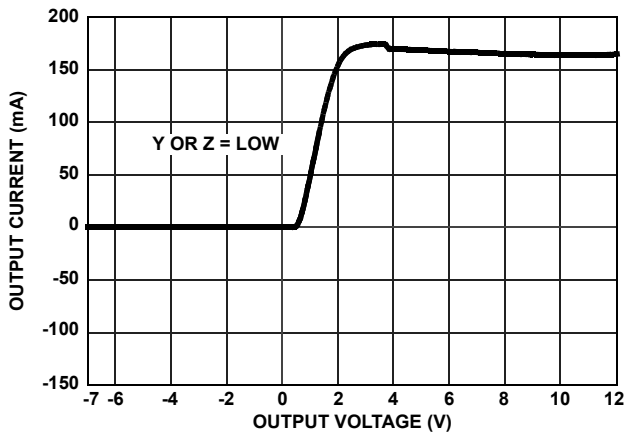


FIGURE 10. DRIVER OUTPUT CURRENT vs SHORT CIRCUIT VOLTAGE

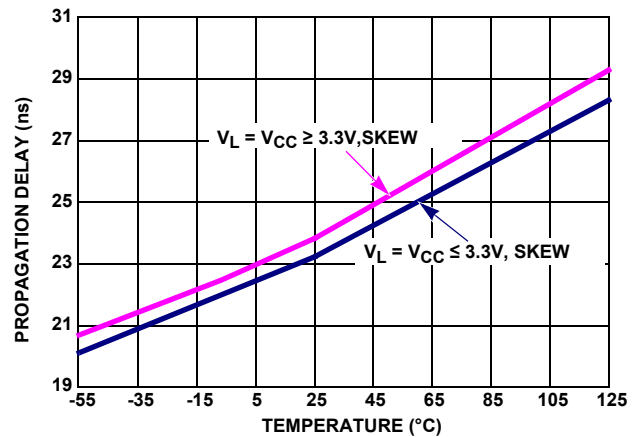


FIGURE 11. DRIVER DIFFERENTIAL PROPAGATION DELAY vs TEMPERATURE

Typical Performance Curves $V_{CC} = V_L = 3.3V, T_A = +25^\circ C$; Unless Otherwise Specified (Continued)

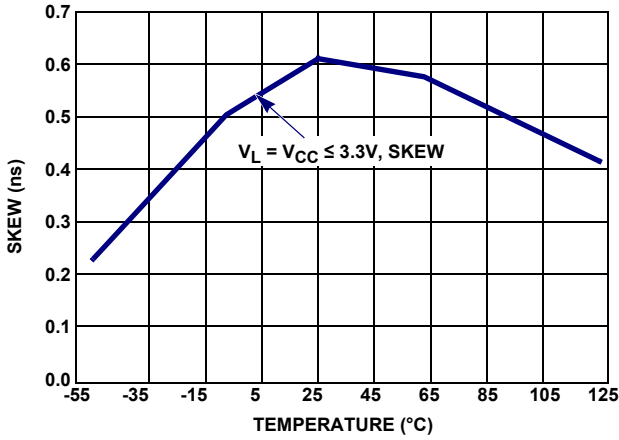


FIGURE 12. DRIVER DIFFERENTIAL SKEW vs TEMPERATURE

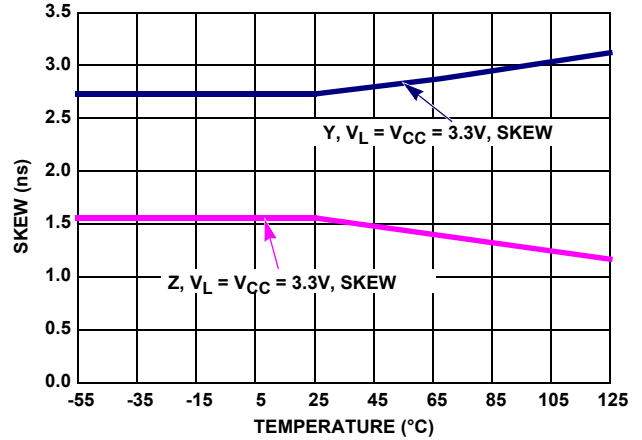


FIGURE 13. DRIVER SINGLE-ENDED SKEW vs TEMPERATURE

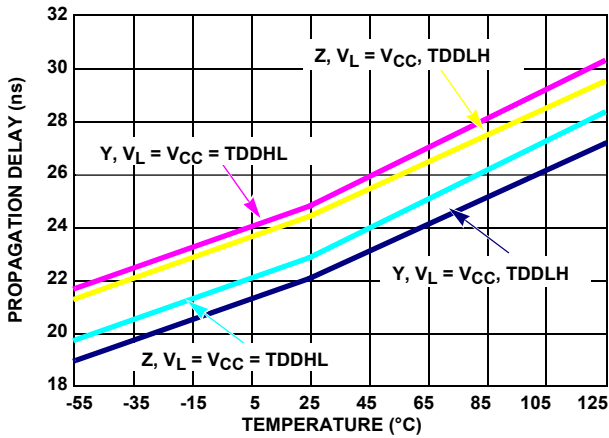


FIGURE 14. SINGLE-ENDED PROPAGATION DELAY vs TEMPERATURE

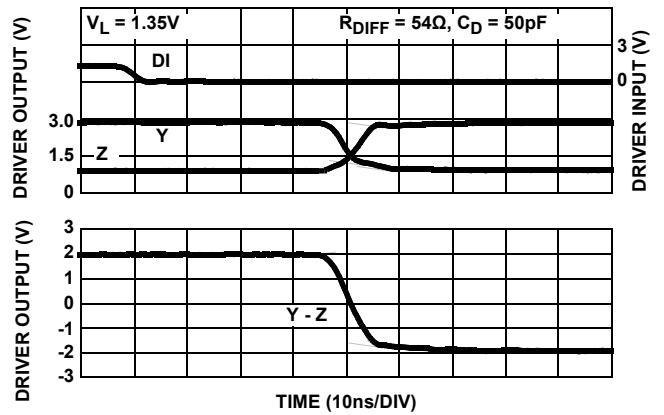


FIGURE 15. DRIVER WAVEFORMS, HIGH TO LOW

Die Characteristics

SUBSTRATE AND TDFN THERMAL PAD POTENTIAL (POWERED UP):

GND

TRANSISTOR COUNT:

516

PROCESS:

Si Gate BiCMOS

Revision History

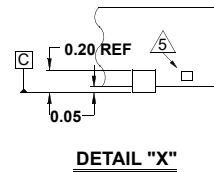
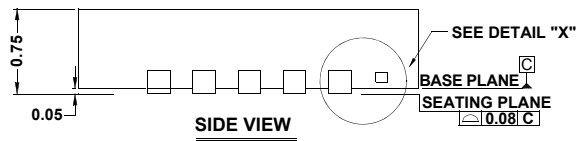
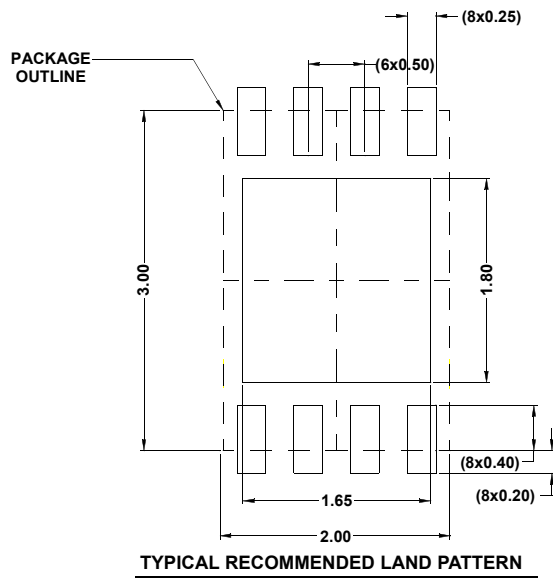
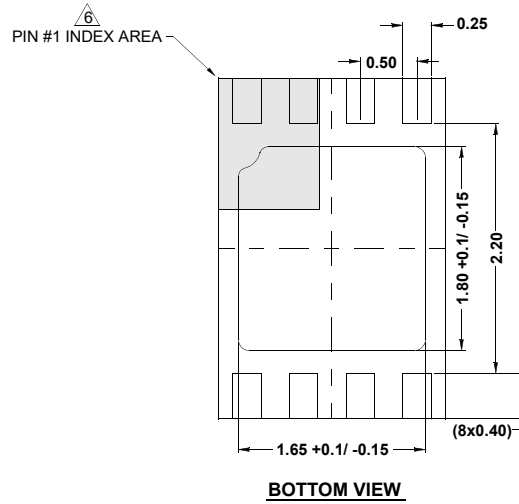
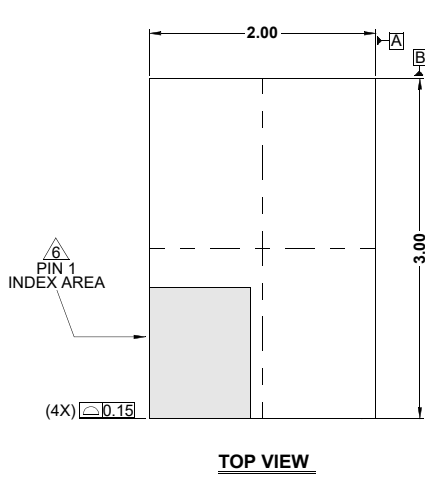
The revision history provided is for informational purposes only and is believed to be accurate, but not warranted. Please go to web to make sure you have the latest revision.

| DATE | REVISION | CHANGE |
|--------------|----------|--|
| Oct 24, 2019 | FN7607.2 | Updated links throughout. Added Related Literature. Updated Ordering information table by removing retired part and adding tape and reel column. Removed Products section. Added Package Outline Drawing. Updated Disclaimer. |
| Jul 28, 2011 | FN7607.1 | Changed in Features "Specifications per DSCC" to "Specifications per DLA" to match website. In Figure 8 on page 7, corrected units in y axis from mA to μ A. |
| Mar 30, 2010 | FN7607.0 | Initial Release. |

Package Outline Drawing

For the most recent package outline drawing, see [L8.2x3A](#).

L8.2x3A
 8 LEAD THIN DUAL FLAT NO-LEAD PLASTIC PACKAGE WITH E-PAD
 Rev 2, 05/15



NOTES:

1. Dimensions are in millimeters.
 Dimensions in () for Reference Only.
2. Dimensioning and tolerancing conform to ASME Y14.5m-1994.
3. Unless otherwise specified, tolerance : Decimal ± 0.05
4. Dimension b applies to the metallized terminal and is measured between 0.20mm and 0.32mm from the terminal tip.
5. Tiebar shown (if present) is a non-functional feature and may be located on any of the 4 sides (or ends).
6. The configuration of the pin #1 identifier is optional, but must be located within the zone indicated. The pin #1 identifier may be either a mold or mark feature.

Notice

1. Descriptions of circuits, software and other related information in this document are provided only to illustrate the operation of semiconductor products and application examples. You are fully responsible for the incorporation or any other use of the circuits, software, and information in the design of your product or system. Renesas Electronics disclaims any and all liability for any losses and damages incurred by you or third parties arising from the use of these circuits, software, or information.
 2. Renesas Electronics hereby expressly disclaims any warranties against and liability for infringement or any other claims involving patents, copyrights, or other intellectual property rights of third parties, by or arising from the use of Renesas Electronics products or technical information described in this document, including but not limited to, the product data, drawings, charts, programs, algorithms, and application examples.
 3. No license, express, implied or otherwise, is granted hereby under any patents, copyrights or other intellectual property rights of Renesas Electronics or others.
 4. You shall not alter, modify, copy, or reverse engineer any Renesas Electronics product, whether in whole or in part. Renesas Electronics disclaims any and all liability for any losses or damages incurred by you or third parties arising from such alteration, modification, copying or reverse engineering.
 5. Renesas Electronics products are classified according to the following two quality grades: "Standard" and "High Quality". The intended applications for each Renesas Electronics product depends on the product's quality grade, as indicated below.
 - "Standard": Computers; office equipment; communications equipment; test and measurement equipment; audio and visual equipment; home electronic appliances; machine tools; personal electronic equipment; industrial robots; etc.
 - "High Quality": Transportation equipment (automobiles, trains, ships, etc.); traffic control (traffic lights); large-scale communication equipment; key financial terminal systems; safety control equipment; etc.Unless expressly designated as a high reliability product or a product for harsh environments in a Renesas Electronics data sheet or other Renesas Electronics document, Renesas Electronics products are not intended or authorized for use in products or systems that may pose a direct threat to human life or bodily injury (artificial life support devices or systems; surgical implantations; etc.), or may cause serious property damage (space system; undersea repeaters; nuclear power control systems; aircraft control systems; key plant systems; military equipment; etc.). Renesas Electronics disclaims any and all liability for any damages or losses incurred by you or any third parties arising from the use of any Renesas Electronics product that is inconsistent with any Renesas Electronics data sheet, user's manual or other Renesas Electronics document.
 6. When using Renesas Electronics products, refer to the latest product information (data sheets, user's manuals, application notes, "General Notes for Handling and Using Semiconductor Devices" in the reliability handbook, etc.), and ensure that usage conditions are within the ranges specified by Renesas Electronics with respect to maximum ratings, operating power supply voltage range, heat dissipation characteristics, installation, etc. Renesas Electronics disclaims any and all liability for any malfunctions, failure or accident arising out of the use of Renesas Electronics products outside of such specified ranges.
 7. Although Renesas Electronics endeavors to improve the quality and reliability of Renesas Electronics products, semiconductor products have specific characteristics, such as the occurrence of failure at a certain rate and malfunctions under certain use conditions. Unless designated as a high reliability product or a product for harsh environments in a Renesas Electronics data sheet or other Renesas Electronics document, Renesas Electronics products are not subject to radiation resistance design. You are responsible for implementing safety measures to guard against the possibility of bodily injury, injury or damage caused by fire, and/or danger to the public in the event of a failure or malfunction of Renesas Electronics products, such as safety design for hardware and software, including but not limited to redundancy, fire control and malfunction prevention, appropriate treatment for aging degradation or any other appropriate measures. Because the evaluation of microcomputer software alone is very difficult and impractical, you are responsible for evaluating the safety of the final products or systems manufactured by you.
 8. Please contact a Renesas Electronics sales office for details as to environmental matters such as the environmental compatibility of each Renesas Electronics product. You are responsible for carefully and sufficiently investigating applicable laws and regulations that regulate the inclusion or use of controlled substances, including without limitation, the EU RoHS Directive, and using Renesas Electronics products in compliance with all these applicable laws and regulations. Renesas Electronics disclaims any and all liability for damages or losses occurring as a result of your noncompliance with applicable laws and regulations.
 9. Renesas Electronics products and technologies shall not be used for or incorporated into any products or systems whose manufacture, use, or sale is prohibited under any applicable domestic or foreign laws or regulations. You shall comply with any applicable export control laws and regulations promulgated and administered by the governments of any countries asserting jurisdiction over the parties or transactions.
 10. It is the responsibility of the buyer or distributor of Renesas Electronics products, or any other party who distributes, disposes of, or otherwise sells or transfers the product to a third party, to notify such third party in advance of the contents and conditions set forth in this document.
 11. This document shall not be reprinted, reproduced or duplicated in any form, in whole or in part, without prior written consent of Renesas Electronics.
 12. Please contact a Renesas Electronics sales office if you have any questions regarding the information contained in this document or Renesas Electronics products.
- (Note1) "Renesas Electronics" as used in this document means Renesas Electronics Corporation and also includes its directly or indirectly controlled subsidiaries.
- (Note2) "Renesas Electronics product(s)" means any product developed or manufactured by or for Renesas Electronics.

(Rev.4.0-1 November 2017)

Corporate Headquarters

TOYOSU FORESIA, 3-2-24 Toyosu,
Koto-ku, Tokyo 135-0061, Japan
www.renesas.com

Contact Information

For further information on a product, technology, the most up-to-date version of a document, or your nearest sales office, please visit:
www.renesas.com/contact/

Trademarks

Renesas and the Renesas logo are trademarks of Renesas Electronics Corporation. All trademarks and registered trademarks are the property of their respective owners.