

To our customers,

Old Company Name in Catalogs and Other Documents

On April 1st, 2010, NEC Electronics Corporation merged with Renesas Technology Corporation, and Renesas Electronics Corporation took over all the business of both companies. Therefore, although the old company name remains in this document, it is a valid Renesas Electronics document. We appreciate your understanding.

Renesas Electronics website: <http://www.renesas.com>

April 1st, 2010
Renesas Electronics Corporation

Issued by: Renesas Electronics Corporation (<http://www.renesas.com>)

Send any inquiries to <http://www.renesas.com/inquiry>.

Notice

1. All information included in this document is current as of the date this document is issued. Such information, however, is subject to change without any prior notice. Before purchasing or using any Renesas Electronics products listed herein, please confirm the latest product information with a Renesas Electronics sales office. Also, please pay regular and careful attention to additional and different information to be disclosed by Renesas Electronics such as that disclosed through our website.
2. Renesas Electronics does not assume any liability for infringement of patents, copyrights, or other intellectual property rights of third parties by or arising from the use of Renesas Electronics products or technical information described in this document. No license, express, implied or otherwise, is granted hereby under any patents, copyrights or other intellectual property rights of Renesas Electronics or others.
3. You should not alter, modify, copy, or otherwise misappropriate any Renesas Electronics product, whether in whole or in part.
4. Descriptions of circuits, software and other related information in this document are provided only to illustrate the operation of semiconductor products and application examples. You are fully responsible for the incorporation of these circuits, software, and information in the design of your equipment. Renesas Electronics assumes no responsibility for any losses incurred by you or third parties arising from the use of these circuits, software, or information.
5. When exporting the products or technology described in this document, you should comply with the applicable export control laws and regulations and follow the procedures required by such laws and regulations. You should not use Renesas Electronics products or the technology described in this document for any purpose relating to military applications or use by the military, including but not limited to the development of weapons of mass destruction. Renesas Electronics products and technology may not be used for or incorporated into any products or systems whose manufacture, use, or sale is prohibited under any applicable domestic or foreign laws or regulations.
6. Renesas Electronics has used reasonable care in preparing the information included in this document, but Renesas Electronics does not warrant that such information is error free. Renesas Electronics assumes no liability whatsoever for any damages incurred by you resulting from errors in or omissions from the information included herein.
7. Renesas Electronics products are classified according to the following three quality grades: “Standard”, “High Quality”, and “Specific”. The recommended applications for each Renesas Electronics product depends on the product’s quality grade, as indicated below. You must check the quality grade of each Renesas Electronics product before using it in a particular application. You may not use any Renesas Electronics product for any application categorized as “Specific” without the prior written consent of Renesas Electronics. Further, you may not use any Renesas Electronics product for any application for which it is not intended without the prior written consent of Renesas Electronics. Renesas Electronics shall not be in any way liable for any damages or losses incurred by you or third parties arising from the use of any Renesas Electronics product for an application categorized as “Specific” or for which the product is not intended where you have failed to obtain the prior written consent of Renesas Electronics. The quality grade of each Renesas Electronics product is “Standard” unless otherwise expressly specified in a Renesas Electronics data sheets or data books, etc.
 - “Standard”: Computers; office equipment; communications equipment; test and measurement equipment; audio and visual equipment; home electronic appliances; machine tools; personal electronic equipment; and industrial robots.
 - “High Quality”: Transportation equipment (automobiles, trains, ships, etc.); traffic control systems; anti-disaster systems; anti-crime systems; safety equipment; and medical equipment not specifically designed for life support.
 - “Specific”: Aircraft; aerospace equipment; submersible repeaters; nuclear reactor control systems; medical equipment or systems for life support (e.g. artificial life support devices or systems), surgical implantations, or healthcare intervention (e.g. excision, etc.), and any other applications or purposes that pose a direct threat to human life.
8. You should use the Renesas Electronics products described in this document within the range specified by Renesas Electronics, especially with respect to the maximum rating, operating supply voltage range, movement power voltage range, heat radiation characteristics, installation and other product characteristics. Renesas Electronics shall have no liability for malfunctions or damages arising out of the use of Renesas Electronics products beyond such specified ranges.
9. Although Renesas Electronics endeavors to improve the quality and reliability of its products, semiconductor products have specific characteristics such as the occurrence of failure at a certain rate and malfunctions under certain use conditions. Further, Renesas Electronics products are not subject to radiation resistance design. Please be sure to implement safety measures to guard them against the possibility of physical injury, and injury or damage caused by fire in the event of the failure of a Renesas Electronics product, such as safety design for hardware and software including but not limited to redundancy, fire control and malfunction prevention, appropriate treatment for aging degradation or any other appropriate measures. Because the evaluation of microcomputer software alone is very difficult, please evaluate the safety of the final products or system manufactured by you.
10. Please contact a Renesas Electronics sales office for details as to environmental matters such as the environmental compatibility of each Renesas Electronics product. Please use Renesas Electronics products in compliance with all applicable laws and regulations that regulate the inclusion or use of controlled substances, including without limitation, the EU RoHS Directive. Renesas Electronics assumes no liability for damages or losses occurring as a result of your noncompliance with applicable laws and regulations.
11. This document may not be reproduced or duplicated, in any form, in whole or in part, without prior written consent of Renesas Electronics.
12. Please contact a Renesas Electronics sales office if you have any questions regarding the information contained in this document or Renesas Electronics products, or if you have any other inquiries.

(Note 1) “Renesas Electronics” as used in this document means Renesas Electronics Corporation and also includes its majority-owned subsidiaries.

(Note 2) “Renesas Electronics product(s)” means any product developed or manufactured by or for Renesas Electronics.

To all our customers

Regarding the change of names mentioned in the document, such as Mitsubishi Electric and Mitsubishi XX, to Renesas Technology Corp.

The semiconductor operations of Hitachi and Mitsubishi Electric were transferred to Renesas Technology Corporation on April 1st 2003. These operations include microcomputer, logic, analog and discrete devices, and memory chips other than DRAMs (flash memory, SRAMs etc.) Accordingly, although Mitsubishi Electric, Mitsubishi Electric Corporation, Mitsubishi Semiconductors, and other Mitsubishi brand names are mentioned in the document, these names have in fact all been changed to Renesas Technology Corp. Thank you for your understanding. Except for our corporate trademark, logo and corporate statement, no changes whatsoever have been made to the contents of the document, and these changes do not constitute any alteration to the contents of the document itself.

Note : Mitsubishi Electric will continue the business operations of high frequency & optical devices and power devices.

Renesas Technology Corp.
Customer Support Dept.
April 1, 2003

MITSUBISHI MICROCOMPUTERS

M37210M3-XXXSP/FP, M37210M4-XXXSP, M37211M2-XXXSP M37210E4-XXXSP/FP, M37210E4SP/FP

SINGLE-CHIP 8-BIT CMOS MICROCOMPUTER for VOLTAGE SYNTHESIZER
with ON-SCREEN DISPLAY CONTROLLER

DESCRIPTION

The M37210M3-XXXSP/FP is a single-chip microcomputer designed with CMOS silicon gate technology. It is housed in a 52-pin shrink plastic molded DIP or a 64-pin plastic molded QFP. This single-chip microcomputer is useful for the channel selection system for TVs because it provides PWM function, OSD display function and so on. In addition to their simple instruction sets, the ROM, RAM, and I/O addresses are placed on the same memory map to enable easy programming.

The features of the M37210E4-XXXSP/FP and the M37210E4SP/FP are similar to those of the M37210M4-XXXSP except that these chips have a built-in PROM which can be written electrically.

The differences between the M37210M3-XXXSP/FP, the M37210M4-XXXSP, and the M37211M2-XXXSP are the ROM size, the RAM size, and the PWM outputs as shown below. Accordingly, the following descriptions will be for the M37210M3-XXXSP/FP unless otherwise noted.

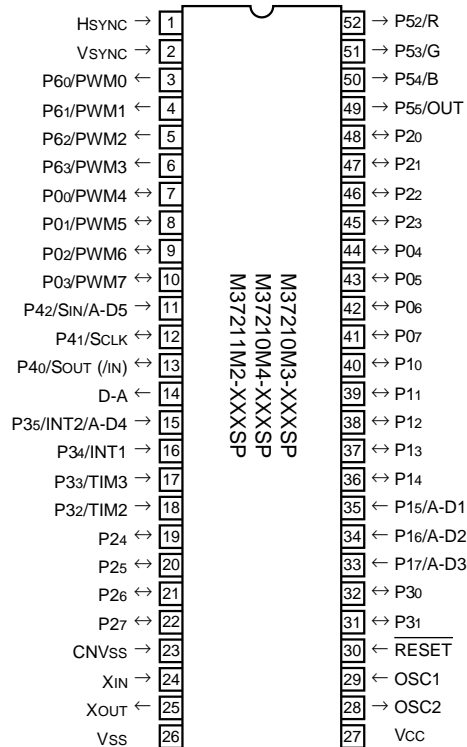
Type name	ROM size	RAM size	6-bit PWM outputs
M37210M3-XXXSP/FP	12 K bytes	256 bytes	8
M37210M4-XXXSP	16 K bytes	320 bytes	8
M37211M2-XXXSP	8 K bytes	192 bytes	6

Note : After the reset, set the stack page selection bit which is set "1" to "0" because the internal RAM of the M37211M2-XXXSP is in only the zero page.

FEATURES

- Number of basic instructions 69
- Memory size ROM 12 K bytes (M37210M3-XXXSP/FP)
16 K bytes (M37210M4-XXXSP)
8 K bytes (M37211M2-XXXSP)
- RAM 256 bytes (M37210M3-XXXSP/FP)
320 bytes (M37210M4-XXXSP)
192 bytes (M37211M2-XXXSP)
- ROM for display 3 K bytes
- RAM for display 72 bytes
- The minimum instruction execution time 0.5 μ s (at 8MHz oscillation frequency)
- Power source voltage 5V \pm 10%
- Power dissipation 110mW (at 4MHz oscillation frequency, Vcc = 5.5V, at CRT display)
- Subroutine nesting 96 levels (Max.)
- Interrupts 12 types, 12 vectors
- 8-bit timers 4
- Programmable I/O ports (Ports P0, P1, P2, P3, P4) 25
- Output ports (ports P5, P6) 8
- Output ports (ports P52, P56) 12
- 12 V withstand ports 4
- Serial I/O 8-bit \times 1 channel
- PWM output circuit (14-bit \times 1, 6-bit \times 8) ... M37210M3
M37210M4
(14-bit \times 1, 6-bit \times 6) M37211M2

PIN CONFIGURATION (TOP VIEW)



Outline 52P4B

Note : The M37211M2-XXXSP does not have the PWM6 and the PWM7.

- A-D comparator (5-bit resolution) 5 channels
- CRT display function
Display characters 18 characters \times 2 lines
(16 lines max.)
Character kinds 96 kinds
Dot structure 12 \times 16 dots
Character size 3 kinds
Character color kinds (It can be specified by the character)
max. 7 kinds (R, G, B)
Raster color (max. 7 kinds)
Display layout
Horizontal 64 levels
Vertical 128 levels
Bordering (horizontal and vertical)

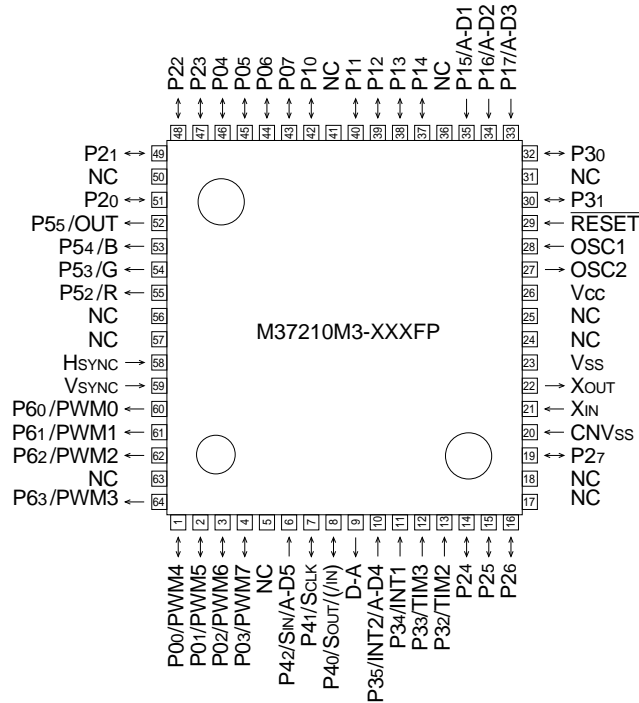
APPLICATION

TV

M37210M3-XXXSP/FP, M37210M4-XXXSP, M37211M2-XXXSP M37210E4-XXXSP/FP, M37210E4SP/FP

SINGLE-CHIP 8-BIT CMOS MICROCOMPUTER for VOLTAGE SYNTHESIZER
with ON-SCREEN DISPLAY CONTROLLER

PIN CONFIGURATION (TOP VIEW)



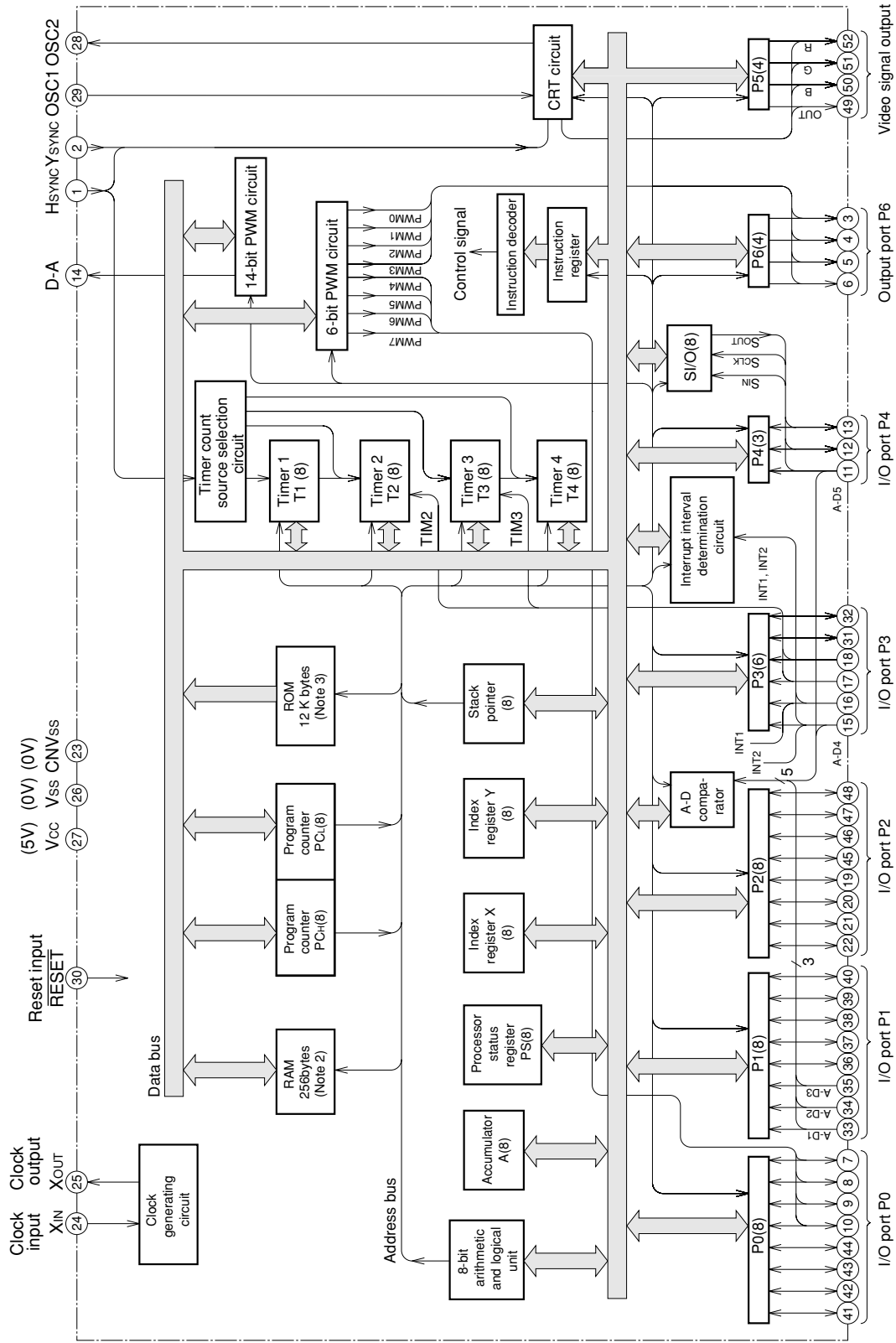
Outline 64P6N-A

NC : No connection

M37210M3-XXXSP/FP, M37210M4-XXXSP, M37211M2-XXXSP M37210E4-XXXSP/FP, M37210E4SP/FP

SINGLE-CHIP 8-BIT CMOS MICROCOMPUTER for VOLTAGE SYNTHESIZER
with ON-SCREEN DISPLAY CONTROLLER

FUNCTIONAL BLOCK DIAGRAM of M37210M3-XXXSP



- Notes 1 : The M37211M2-XXXSP does not have PWM outputs of pins 9 and 10.
 2 : 320 bytes for M37210M4-XXXSP and 192 bytes for M37211M2-XXXSP
 3 : 16 K bytes for M37210M4-XXXSP and 8 K bytes for M37211M2-XXXSP

M37210M3-XXXSP/FP, M37210M4-XXXSP, M37211M2-XXXSP M37210E4-XXXSP/FP, M37210E4SP/FP

SINGLE-CHIP 8-BIT CMOS MICROCOMPUTER for VOLTAGE SYNTHESIZER
with ON-SCREEN DISPLAY CONTROLLER

FUNCTIONS

Parameter		Functions	
Number of basic instructions		69	
Instruction execution time		0.5 μ s (the minimum instruction execution time, at 8MHz oscillation frequency)	
Clock frequency		8MHz	
Memory size	M37210M3-XXXSP/FP	ROM	12 K bytes
		RAM	256 bytes
	M37210M4-XXXSP	ROM	16 K bytes
		RAM	320 bytes
	M37211M2-XXXSP	ROM	8 K bytes
		RAM	192 bytes
Input/Output ports	P0	I/O	8-bit X 1 (can be used as N-channel open-drain output and PWM4-PWM7)(Note)
	P10 – P14	I/O	5-bit X 1 (CMOS 3-state output)
	P15 – P17	Input	3-bit X 1 (can be used as A-D input)
	P2	I/O	8-bit X 1 (CMOS 3-state output)
	P30, P31	I/O	2-bit X 1 (CMOS 3-state input/output)
	P32, P35	Input	4-bit X 1 (can be used as timer input pins, INT input pins and A-D input pins)
	P40, P41	I/O	2-bit X 1 (can be used as N-channel open-drain output and serial I/O function pins)
	P42	Input	1-bit X 1 (can be used as serial I/O and A-D input)
	P5	Output	4-bit X 1 (can be used as R, G, B, OUT pins)
P6	Output	4-bit X 1 (can be used as N-channel open-drain output and PWM0-PWM3 output pins)	
Serial I/O		8-bit X 1	
Timers		8-bit timer X 4	
Subroutine nesting		96 levels (max.)	
Interrupt		Two external interrupts, four internal timer interrupts, one serial I/O interrupt, one CRT interrupt, one f(XIN)/4096 interrupt, one VSYNC interrupt, BRK instruction	
Clock generating circuit		Built-in circuit (externally connected a ceramic resonator or a quartz-crystal oscillator)	
Power source voltage		5V \pm 10%	
Power dissipation	at CRT display ON	110mW (at 4MHz oscillation frequency, VCC = 5.5V, Typ.)	
	at CRT display OFF	55mW (at 4MHz oscillation frequency, VCC = 5.5V, Typ.)	
	at stop mode	1.65mW (Max.)	
Operating temperature range		-10 to 70°C	
Device structure		CMOS silicon gate process	
Package	M37210M3-XXXSP, M37210M4-XXXSP, M37211M2-XXXSP	52-pin shrink plastic molded DIP	
	M37210M3-XXXFP	64-pin plastic molded QFP	
CRT display function	Number of character	18 characters X 2 lines : maximum 16 lines (by software)	
	Character dot construction	12 X 16 dots	
	Kinds of characters	96 kinds	
	Character size	3 kinds	
	Kinds of color	7 kinds max, (R, G, B) : can be specified by character unit	
Display position (horizontal, vertical)		64 levels (horizontal) X 128 levels (vertical)	

Note : The M37211M2-XXXSP can be also used as PWM4 and PWM5.

M37210M3-XXXSP/FP, M37210M4-XXXSP, M37211M2-XXXSP M37210E4-XXXSP/FP, M37210E4SP/FP

SINGLE-CHIP 8-BIT CMOS MICROCOMPUTER for VOLTAGE SYNTHESIZER
with ON-SCREEN DISPLAY CONTROLLER

PIN DESCRIPTION

Pin	Name	Input / Output	Functions
VCC, VSS	Power source voltage		Apply voltage of $5V \pm 10\%$ to VCC, and 0V to VSS.
CNVSS	CNVSS		This is connected to VSS.
RESET	Reset input	Input	To enter the reset state, the reset input pin must be kept at a "L" for 2 μ s or more (under normal VCC conditions). If more time is needed for the crystal oscillator to stabilize, this "L" condition should be maintained for the required time.
XIN	Clock input	Input	This chip has an internal clock generating circuit. To control generating frequency, an external ceramic resonator or a quartz-crystal oscillator is connected between the XIN and XOUT pins. If an external clock is used, the clock source should be connected the XIN pin and the XOUT pin should be left open.
XOUT	Clock output	Output	
ϕ	Timing output	Output	This is the timing output pin.
P00 – P07	I/O port P0	I/O	Port P0 is an 8-bit I/O port with directional registers allowing each I/O bit to be individually programmed as input or output. At reset, this port is set to input mode. The output structure is CMOS output. The output structure is N-channel open-drain output. When PWM4, PWM5, PWM6 and PWM7 are used, P00, P01, P02 and P03 are in common with PWM output pins of PWM4, PWM5, PWM6 and PWM7.
P11 – P14	I/O port P1	I/O	Ports P10, P11, P12, P13 and P14 are 5-bit I/O ports and have basically the same functions as port P0. The output structure is CMOS output.
P15 – P17	Input port P1	Input	Ports P15, P16 and P17 are 3-bit input ports and they are in common with input pins of A-D comparator (A-D1, A-D2 and A-D3).
P20 – P27	I/O port P2	I/O	Port P2 is an 8-bit I/O port and has basically the same functions as port P0. The output structure is CMOS output.
P30, P31	I/O port P3	I/O	Ports P30 and P31 are 2-bit I/O ports and have basically the same functions as port P0. The output structure is CMOS output.
P32 – P35	Input port P3	Input	Ports P32, P33, P34 and P35 are 4-bit input ports and ports P32 and P33 are in common with external clock input pins of timers 2 and 3. Ports P34 and P35 are in common with external interrupt input pins INT1 and INT2. Port P35 is in common with an input pin of A-D comparator (A-D4).
P40, P41	I/O port P4	I/O	Ports P40 and P41 are 2-bit I/O ports and have basically the same functions as port P0. When serial I/O is used, ports P40 and P41 are in common with SOUT pin and SCLK pin, respectively.
P42	Input port P4	Input	Port P42 is an 1-bit Input port, and it is common with an input pin of A-D comparator (A-D5) and serial input pin (SIN).
P60 – P63	Output port P6	Output	Port P6 is an 4-bit output port. The output structure is N-channel open-drain. This port is in common with 6-bit PWM output pins PWM0-PWM3.
OSC1, OSC2	Clock input for CRT display Clock output for CRT display	Input Output	This is the I/O pins of the clock generating circuit for the CRT display function.
HSYNC	HSYNC input	Input	This is the horizontal synchronizing signal input for CRT display.
VSNC	VSNC input	Input	This is the vertical synchronizing signal input for CRT display.
R, G, B, OUT	CRT output	Output	This is a 4-bit output pin for CRT display. The output structure is CMOS output. This is in common with port P52 – P55.
D-A	DA Output	Output	This is an output pin for 14-bit PWM.

M37210M3-XXXSP/FP, M37210M4-XXXSP, M37211M2-XXXSP M37210E4-XXXSP/FP, M37210E4SP/FP

SINGLE-CHIP 8-BIT CMOS MICROCOMPUTER for VOLTAGE SYNTHESIZER
with ON-SCREEN DISPLAY CONTROLLER

FUNCTIONAL DESCRIPTION Central Processing Unit (CPU)

The M37210M3-XXXSP/FP uses the standard 740 family instruction set. Refer to the table of 740 family addressing modes and machine instructions or the SERIES 740 (Software) User's Manual for details on the instruction set.

Machine-resident 740 family instructions are as follows :

The FST and SLW instruction cannot be used.

The MUL, DIV, WIT, and STP instruction can be used.

CPU Mode Register

The CPU mode register is allocated at address 00FB₁₆. The CPU mode register contains the stack page selection bit.

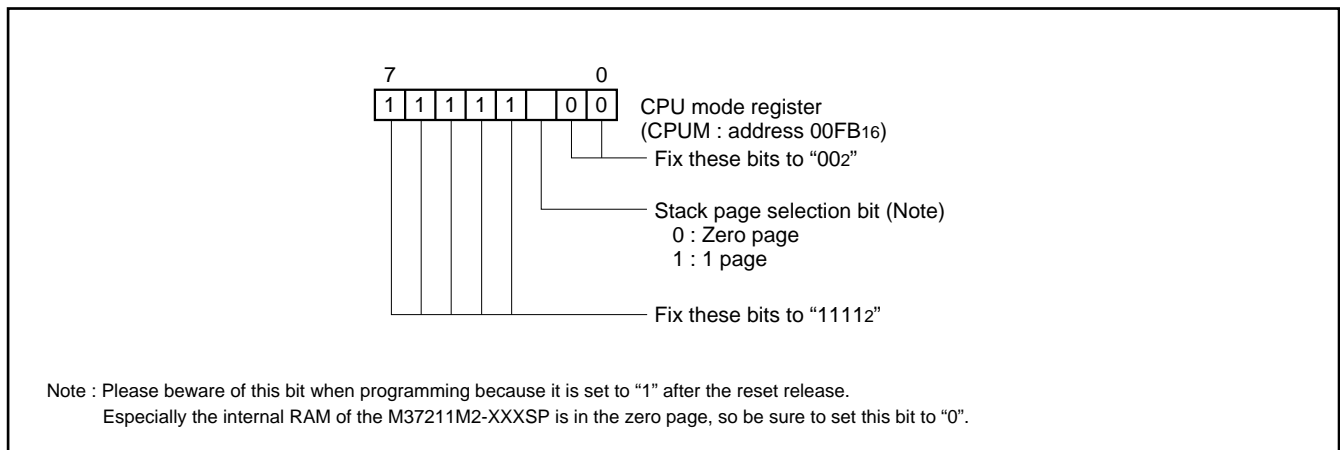


Fig. 1 Structure of CPU mode register

M37210M3-XXXSP/FP, M37210M4-XXXSP, M37211M2-XXXSP M37210E4-XXXSP/FP, M37210E4SP/FP

SINGLE-CHIP 8-BIT CMOS MICROCOMPUTER for VOLTAGE SYNTHESIZER
with ON-SCREEN DISPLAY CONTROLLER

MEMORY

Special Function Register (SFR) Area

The special function register (SFR) area in the zero page contains control registers such as I/O ports and timers.

RAM

RAM is used for data storage and for stack area of subroutine calls and interrupts.

ROM

ROM is used for storing user programs as well as the interrupt vector area.

RAM for Display

RAM for display is used for specifying the character codes and colors to display.

ROM for Display

ROM for display is used for storing character data.

Interrupt Vector Area

The interrupt vector area contains reset and interrupt vectors.

Zero Page

The 256 bytes from addresses 0000₁₆ to 00FF₁₆ are called the zero page area. The internal RAM and the special function registers (SFR) are allocated to this area.

The zero page addressing mode can be used to specify memory and register addresses in the zero page area. Access to this area with only 2 bytes is possible in the zero page addressing mode.

Special Page

The 256 bytes from addresses FF00₁₆ to FFFF₁₆ are called the special page area. The special page addressing mode can be used to specify memory addresses in the special page area. Access to this area with only 2 bytes is possible in the special page addressing mode.

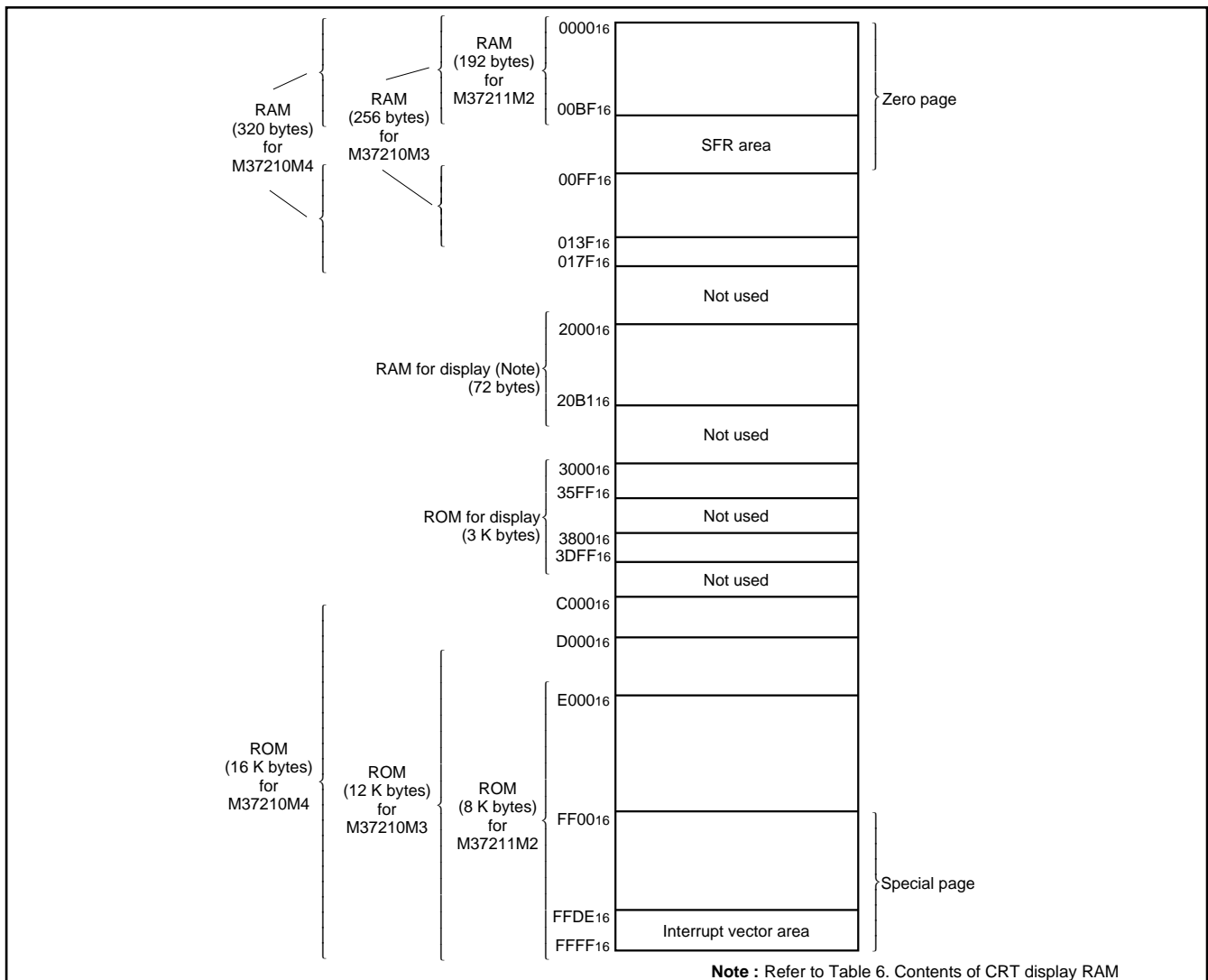


Fig. 2 Memory map

**M37210M3-XXXSP/FP, M37210M4-XXXSP, M37211M2-XXXSP
M37210E4-XXXSP/FP, M37210E4SP/FP**

SINGLE-CHIP 8-BIT CMOS MICROCOMPUTER for VOLTAGE SYNTHESIZER
with ON-SCREEN DISPLAY CONTROLLER

00C0 ₁₆	Port P0	00E0 ₁₆	Horizontal position register
00C1 ₁₆	Port P0 directional register	00E1 ₁₆	Vertical position register 1 (block 1)
00C2 ₁₆	Port P1	00E2 ₁₆	Vertical position register 2 (block 2)
00C3 ₁₆	Port P1 directional register	00E3 ₁₆	
00C4 ₁₆	Port P2	00E4 ₁₆	Character size register
00C5 ₁₆	Port P2 directional register	00E5 ₁₆	Border selection register
00C6 ₁₆	Port P3	00E6 ₁₆	Color register 0
00C7 ₁₆	Port P3 directional register	00E7 ₁₆	Color register 1
00C8 ₁₆	Port P4	00E8 ₁₆	Color register 2
00C9 ₁₆	Port P4 directional register	00E9 ₁₆	Color register 3
00CA ₁₆	Port P5	00EA ₁₆	CRT control register
00CB ₁₆	Port P5 control register	00EB ₁₆	
00CC ₁₆	Port P6	00EC ₁₆	CRT port control register
00CD ₁₆	Port P6 directional register	00ED ₁₆	
00CE ₁₆	14DA-H register	00EE ₁₆	A-D mode register
00CF ₁₆	14DA-L register	00EF ₁₆	A-D control register
00D0 ₁₆	PWM0 register	00F0 ₁₆	Timer 1
00D1 ₁₆	PWM1 register	00F1 ₁₆	Timer 2
00D2 ₁₆	PWM2 register	00F2 ₁₆	Timer 3
00D3 ₁₆	PWM3 register	00F3 ₁₆	Timer 4
00D4 ₁₆	PWM4 register	00F4 ₁₆	Timer 12 mode register
00D5 ₁₆	PWM output control register 1	00F5 ₁₆	Timer 34 mode register
00D6 ₁₆	PWM output control register 2	00F6 ₁₆	PWM5 register
00D7 ₁₆	Interrupt Interval determination register	00F7 ₁₆	PWM6 register (Note)
00D8 ₁₆	Interrupt Interval determination control register	00F8 ₁₆	PWM7 register (Note)
00D9 ₁₆		00F9 ₁₆	
00DA ₁₆		00FA ₁₆	
00DB ₁₆		00FB ₁₆	CPU mode register
00DC ₁₆	Serial I/O mode register	00FC ₁₆	Interrupt request register 1
00DD ₁₆	Serial I/O register	00FD ₁₆	Interrupt request register 2
00DE ₁₆		00FE ₁₆	Interrupt control register1
00DF ₁₆		00FF ₁₆	Interrupt control register2

Note : The M37211M2-XXXSP dose not have this register

Fig. 3 Memory map of special function register (SFR)

M37210M3-XXXSP/FP, M37210M4-XXXSP, M37211M2-XXXSP M37210E4-XXXSP/FP, M37210E4SP/FP

SINGLE-CHIP 8-BIT CMOS MICROCOMPUTER for VOLTAGE SYNTHESIZER
with ON-SCREEN DISPLAY CONTROLLER

INTERRUPTS

Interrupts can be caused by 12 different sources consisting of 3 external, 7 internal, 1 software, and reset.

Interrupts are vectored interrupts with priorities shown in Table 1. Reset is also included in the table because its operation is similar to an interrupt.

When an interrupt is accepted, the registers are pushed, interrupt disable flag I is set, and the program jumps to the address specified in the vector table. The interrupt request bit is cleared automatically. The reset can never be disabled. Other interrupts are disabled when the interrupt disable flag is set.

All interrupts except the BRK instruction interrupt have an interrupt request bit and an interrupt enable bit. The interrupt request bits are in interrupt request registers 1 and 2 and the interrupt enable bits are in interrupt control registers 1 and 2. Figure 4 shows the structure of the interrupt request registers 1 and 2 and interrupt control registers 1 and 2.

Interrupts other than the BRK instruction interrupt and reset are accepted when the interrupt enable bit is "1", interrupt request bit is "1", and the interrupt disable flag is "0". The interrupt request bit can be reset with a program, but not set. The interrupt enable bit can be set and reset with a program.

Reset is treated as a non-maskable interrupt with the highest priority. Figure 5 shows interrupts control.

Table 1. Interrupt vector addresses and priority

Interrupt sources	Priority	Vector addresses	Remarks
Reset	1	FFFF ₁₆ , FFFE ₁₆	Non-maskable
CRT interrupt	2	FFFD ₁₆ , FFFC ₁₆	
INT2 interrupt	3	FFFB ₁₆ , FFFA ₁₆	Active edge selectable
INT1 interrupt	4	FFF9 ₁₆ , FFF8 ₁₆	Active edge selectable
Timer 4 interrupt	5	FFF5 ₁₆ , FFF4 ₁₆	
f(XIN)/4096 interrupt	6	FFF3 ₁₆ , FFF2 ₁₆	
VSYNC interrupt	7	FFF1 ₁₆ , FFF0 ₁₆	Active edge selectable
Timer 3 interrupt	8	FFEF ₁₆ , FFEE ₁₆	
Timer 2 interrupt	9	FFED ₁₆ , FFEC ₁₆	
Timer 1 interrupt	10	FFEB ₁₆ , FFEA ₁₆	
Serial I/O interrupt	11	FFE9 ₁₆ , FFE8 ₁₆	
BRK instruction interrupt	12	FFDF ₁₆ , FFDE ₁₆	Non-maskable software interrupt

M37210M3-XXXSP/FP, M37210M4-XXXSP, M37211M2-XXXSP M37210E4-XXXSP/FP, M37210E4SP/FP

SINGLE-CHIP 8-BIT CMOS MICROCOMPUTER for VOLTAGE SYNTHESIZER
with ON-SCREEN DISPLAY CONTROLLER

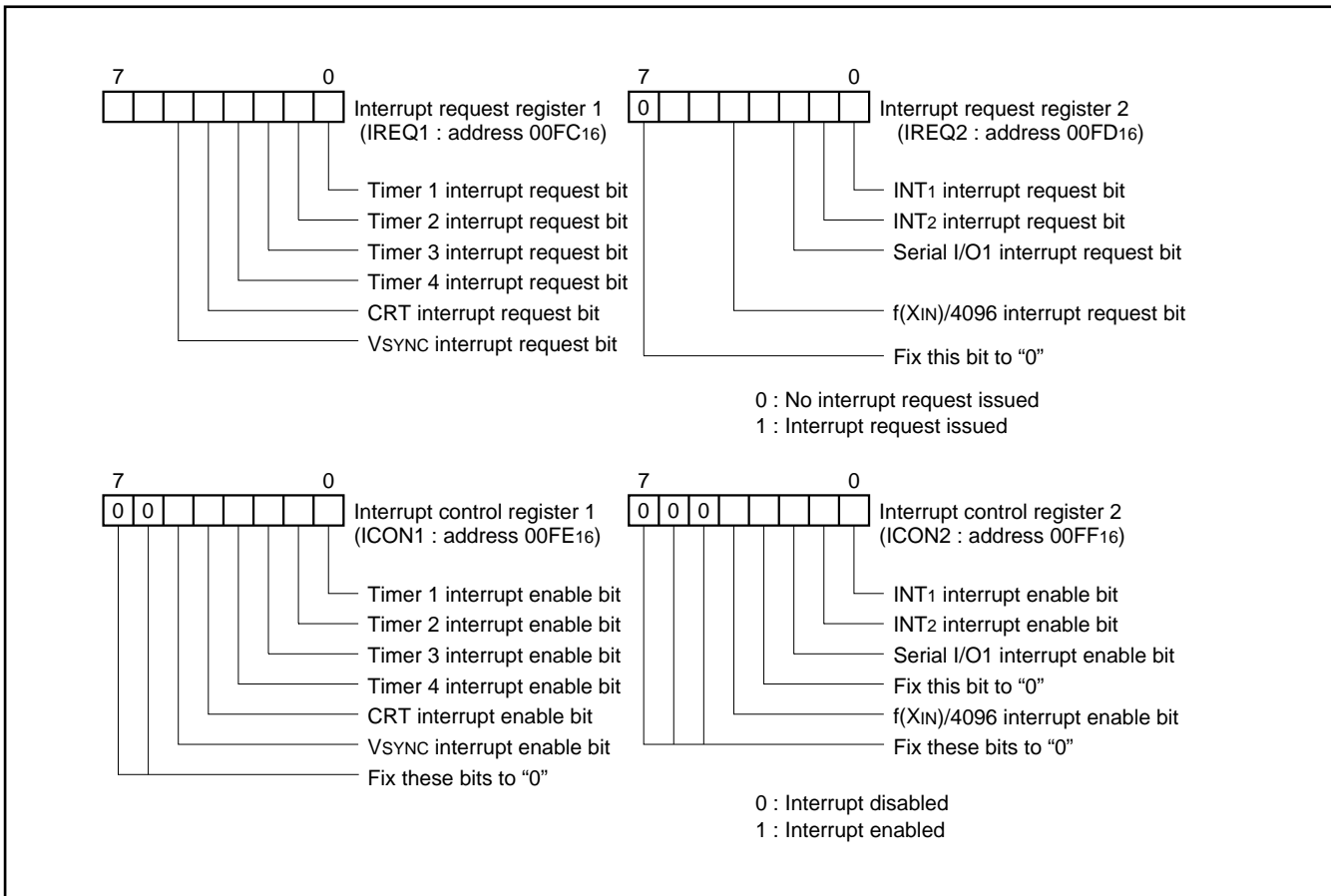


Fig. 4 Structure of interrupt-related registers

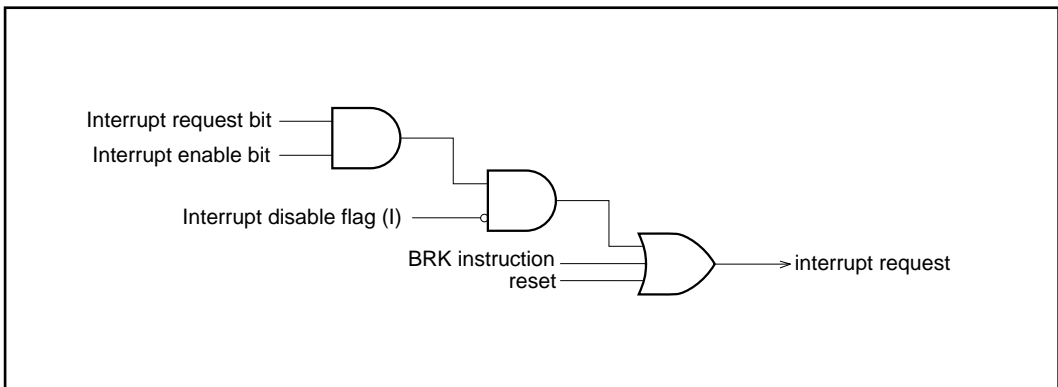


Fig. 5 Interrupt control

M37210M3-XXXSP/FP, M37210M4-XXXSP, M37211M2-XXXSP M37210E4-XXXSP/FP, M37210E4SP/FP

SINGLE-CHIP 8-BIT CMOS MICROCOMPUTER for VOLTAGE SYNTHESIZER
with ON-SCREEN DISPLAY CONTROLLER

TIMERS

The M37210M3-XXXSP has 4 timers: timer 1, timer 2, timer 3 and timer 4. All timers are 8-bit timers with the 8-bit timer latch. The timer block diagram is shown in Figure 7.

All of the timers count down and their divide ratio is $1/(n+1)$, where n is the value of timer latch. The value is set to a timer at the same time by writing a count value to the corresponding timer latch (addresses 00F0₁₆ to 00F3₁₆ : timers 1 to 4).

The count value is decremented by 1. The timer interrupt request bit is set to "1" by a timer overflow at the next count pulse after the count value reaches "00₁₆."

(1) Timer 1

Timer 1 can select one of the following count sources:

- $f(X_{IN})/16$
- $f(X_{IN})/4096$

The count source of timer 1 is selected by setting bit 0 of the timer 12 mode register (address 00F4₁₆).

Timer 1 interrupt request occurs at timer 1 overflow.

(2) Timer 2

Timer 2 can select one of the following count sources:

- $f(X_{IN})/16$
- Timer 1 overflow signal
- External clock from the P3₂/TIM2 pin

The count source of timer 2 is selected by setting bits 4 and 1 of the timer 12 mode register (address 00F4₁₆). When timer 1 overflow signal is a count source for the timer 2, the timer 1 functions as an 8-bit prescaler.

Timer 2 interrupt request occurs at timer 2 overflow.

(3) Timer 3

Timer 3 can select one of the following count sources:

- $f(X_{IN})/16$
- External clock from the P3₃/TIM3 pin and the H_{SYNC} pin

The count source of timer 3 is selected by setting bits 5 and 0 of the timer 34 mode register (address 00F5₁₆).

Timer 3 interrupt request occurs at timer 3 overflow.

(4) Timer 4

Timer 4 can select one of the following count sources:

- $f(X_{IN})/16$
- $f(X_{IN})/2$
- Timer 3 overflow signal

The count source of timer 4 is selected by setting bits 4 and 1 of the timer 34 mode register 2 (address 00F5₁₆). When timer 3 overflow signal is a count source for the timer 4, the timer 3 functions as an 8-bit prescaler.

Timer 4 interrupt request occurs at timer 4 overflow.

At reset, timers 3 and 4 are connected by hardware and "FF₁₆" is automatically set in timer 3; "07₁₆" in timer 4. The $f(X_{IN})/16$ is selected as the timer 3 count source. The internal reset is released by timer 4 overflow at these state, the internal clock is connected.

At execution of the STP instruction, timers 3 and 4 are connected by hardware and "FF₁₆" is automatically set in timer 3; "07₁₆" in timer 4. However, the $f(X_{IN})/16$ is not selected as the timer 3 count source. So

set bit 0 of the timer 34 mode register (address 00F5₁₆) to "0" before the execution of the STP instruction ($f(X_{IN})/16$ is selected as the timer 3 count source). The internal STP state is released by timer 4 overflow at these state, the internal clock is connected.

Because of this, the program starts with stable clock.

The structure of timer-related registers is shown in Figure 6.

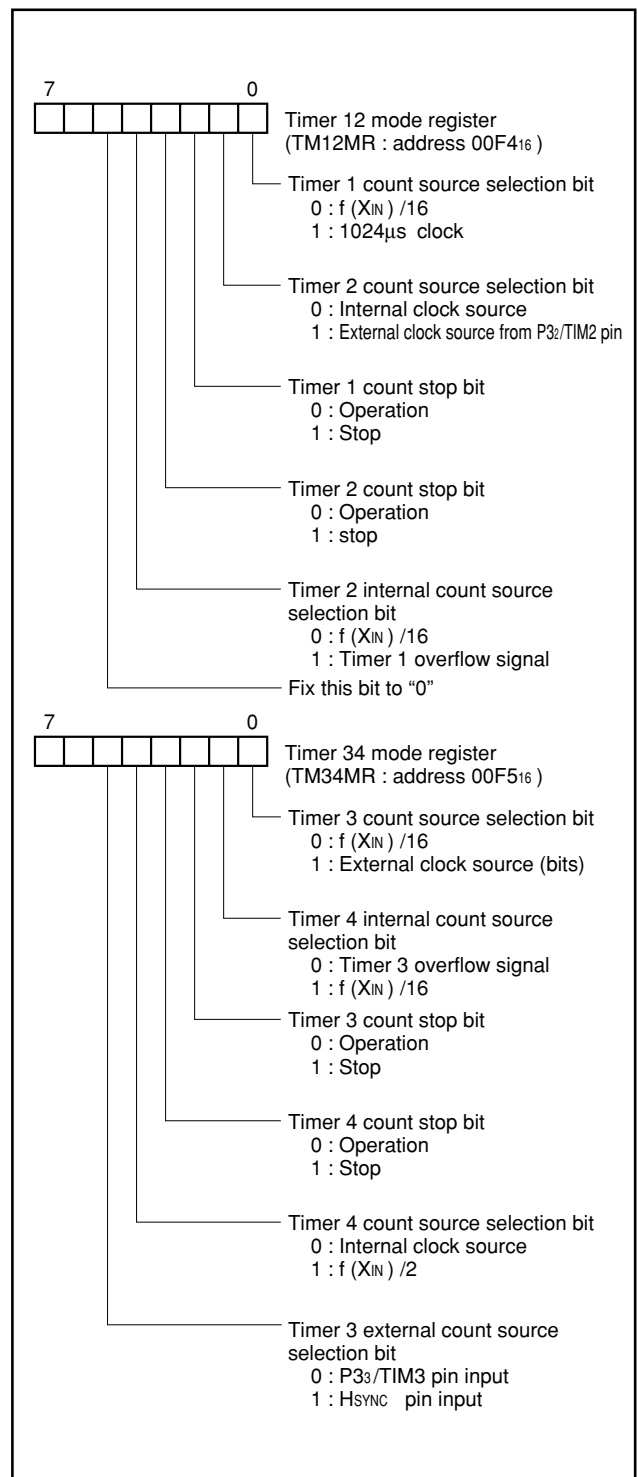


Fig. 6 Structure of timer-related registers

M37210M3-XXXSP/FP, M37210M4-XXXSP, M37211M2-XXXSP M37210E4-XXXSP/FP, M37210E4SP/FP

SINGLE-CHIP 8-BIT CMOS MICROCOMPUTER for VOLTAGE SYNTHESIZER
with ON-SCREEN DISPLAY CONTROLLER

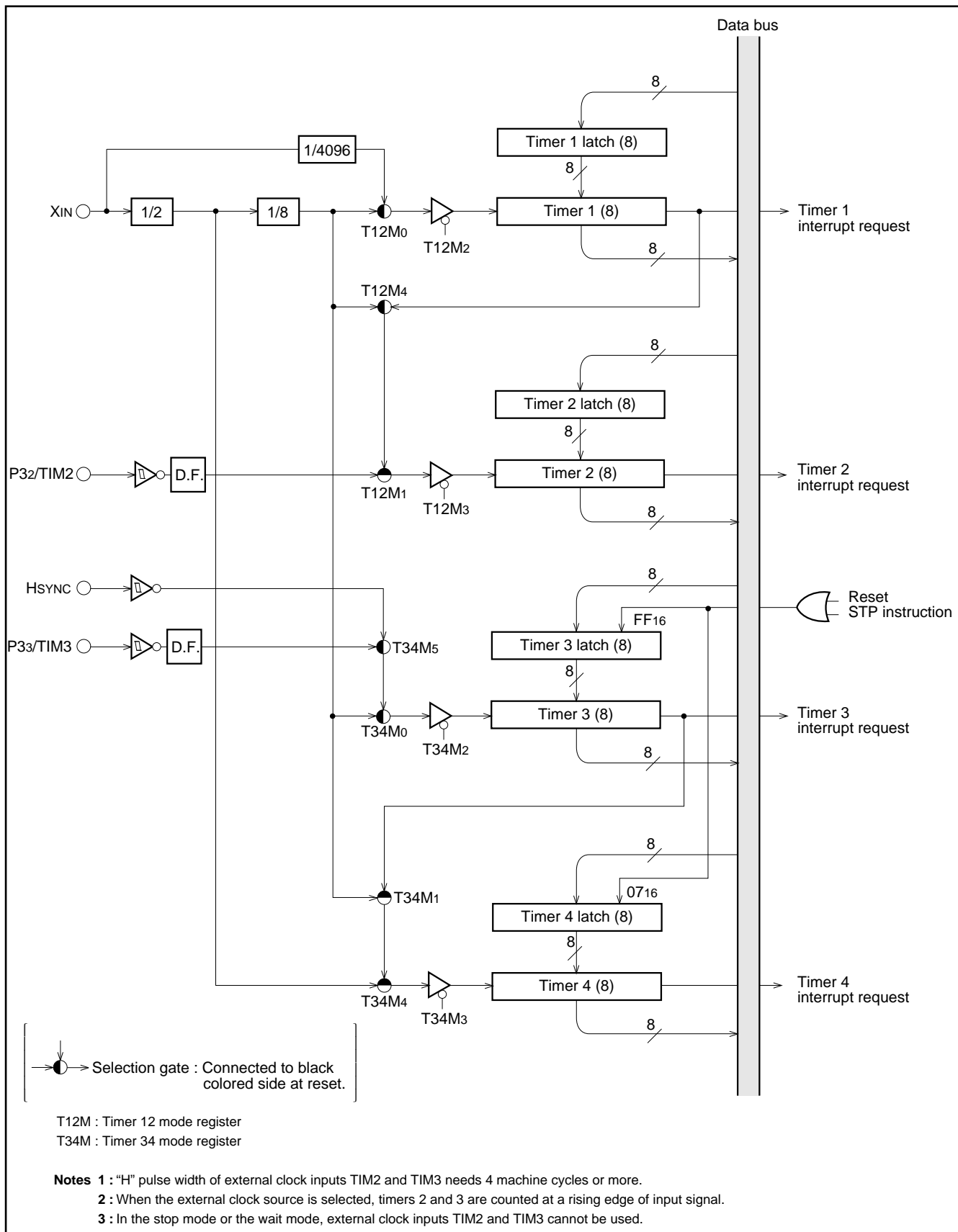


Fig. 7 Timer block diagram

M37210M3-XXXSP/FP, M37210M4-XXXSP, M37211M2-XXXSP M37210E4-XXXSP/FP, M37210E4SP/FP

SINGLE-CHIP 8-BIT CMOS MICROCOMPUTER for VOLTAGE SYNTHESIZER
with ON-SCREEN DISPLAY CONTROLLER

SERIAL I/O

M37210M3-XXXSP has a serial I/O.

A block diagram of the serial I/O is shown in Figure 8.

Synchronous input/output clock (SCLK), and the serial I/O pins (SOUT, SIN) are used as port P4. The serial I/O mode registers (address 00DD16) are 8-bit registers. Bits 0, 1 and 2 of these registers are used to select a synchronous clock source.

Bit 3 decides whether parts of P4 will be used as a serial I/O or not. To use P42 as a serial input, set the directional register bit which corresponds to P42 to "0". For more information on the directional register, refer to the I/O pin section.

The serial I/O function is discussed below. The function of the serial I/O differs depending on the clock source ; external clock or internal clock.

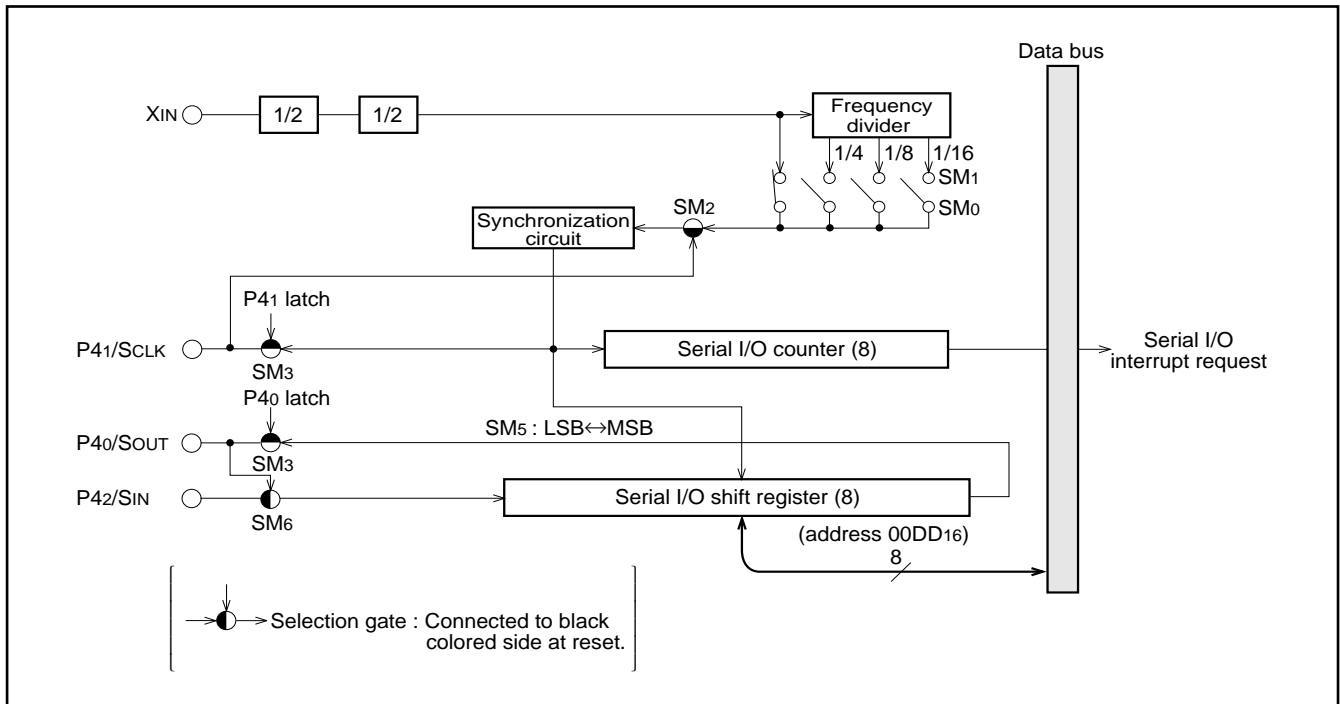


Fig. 8 Serial I/O block diagram

M37210M3-XXXSP/FP, M37210M4-XXXSP, M37211M2-XXXSP M37210E4-XXXSP/FP, M37210E4SP/FP

SINGLE-CHIP 8-BIT CMOS MICROCOMPUTER for VOLTAGE SYNTHESIZER
with ON-SCREEN DISPLAY CONTROLLER

The serial I/O counter is set to 7 when data is stored in the serial I/O register. At each falling edge of the transfer clock, serial data is output to SOUT. During the rising edge of this clock, data can be input from SIN and the data in the serial I/O register will be shifted 1 bit.

Transfer direction can be selected by bit 5 of serial I/O mode register. After the transfer clock has counted 8 times, the serial I/O register will be empty and the transfer clock will remain at a high level. At this time the interrupt request bit will be set.

External clock- If an external clock is used, the interrupt request will be sent after the transfer clock has counted 8 times but transfer clock will not stop.

Due to this reason, the external clock must be controlled from the outside. The external clock should not exceed 1MHz at a duty cycle

of 50%. The timing diagram is shown in Figure 9. When using an external clock for transfer, the external clock must be held at "H" level when the serial I/O counter is initialized. When switching between the internal clock and external clock, the switching must not be performed during transfer. Also, the serial I/O counter must be initialized after switching.

Notes 1: On programming, note that the serial I/O counter is set by writing to the serial I/O register with the bit managing instructions as SEB and CLB instructions.

2: When an external clock is used as the synchronizing clock, write transmit data to the serial I/O register at "H" of the transfer clock input level.

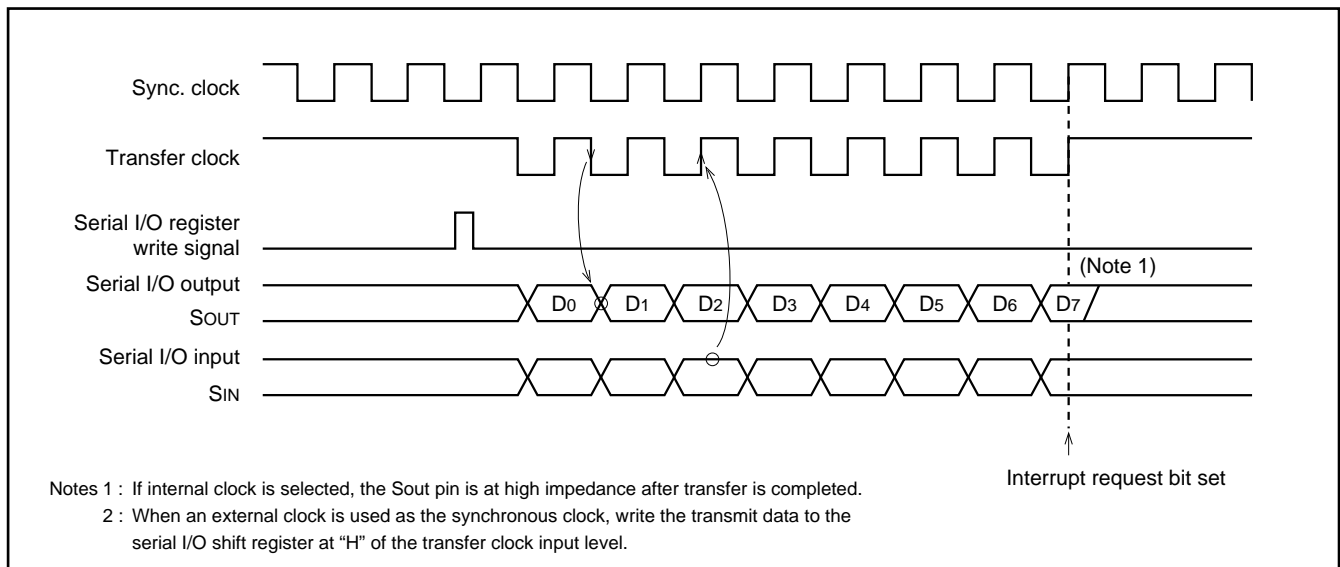


Fig. 9 Serial I/O timing (for LSB first)

M37210M3-XXXSP/FP, M37210M4-XXXSP, M37211M2-XXXSP M37210E4-XXXSP/FP, M37210E4SP/FP

SINGLE-CHIP 8-BIT CMOS MICROCOMPUTER for VOLTAGE SYNTHESIZER
with ON-SCREEN DISPLAY CONTROLLER

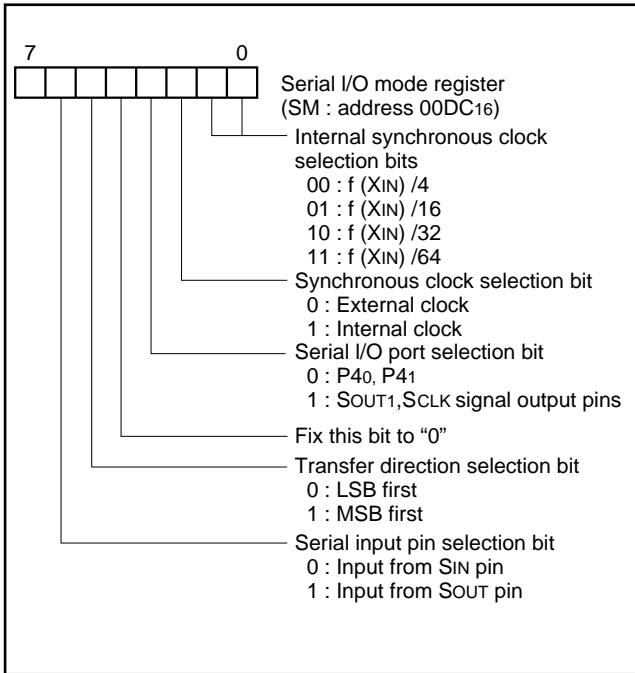


Fig. 10 Structure of serial I/O mode register

Serial I/O common transmission/reception mode.

Write 1 to bit 6 of serial I/O mode register, and signals SIN and SOUT switch internal to be able to serial data transmission/reception.

Figure 11 shows signals on serial I/O common transmission/reception mode.

Note : Receive the serial data after writing "FF16" to the serial I/O register.

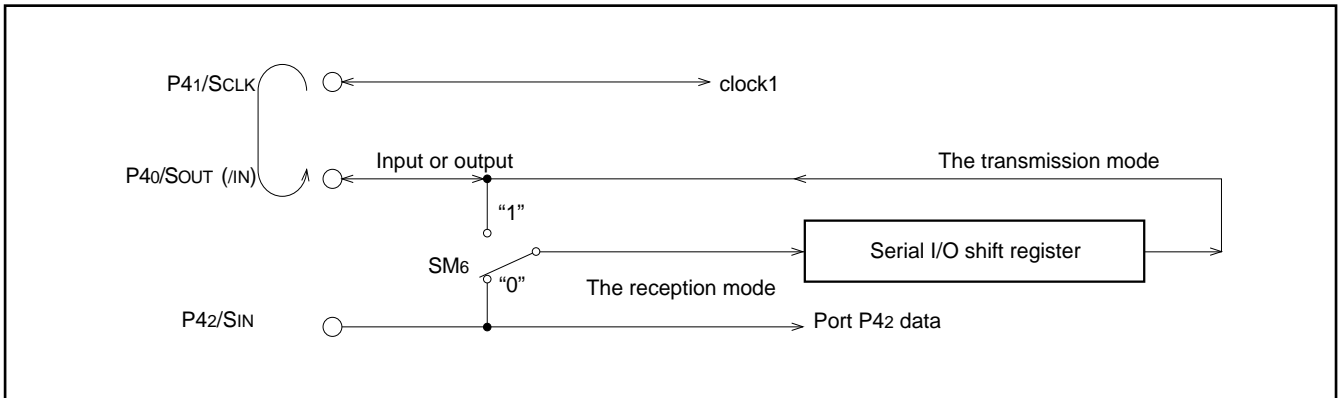


Fig. 11 Signals on serial I/O common transmission/reception mode

M37210M3-XXXSP/FP, M37210M4-XXXSP, M37211M2-XXXSP M37210E4-XXXSP/FP, M37210E4SP/FP

SINGLE-CHIP 8-BIT CMOS MICROCOMPUTER for VOLTAGE SYNTHESIZER
with ON-SCREEN DISPLAY CONTROLLER

PWM OUTPUT CIRCUIT

(1) Introduction

The M37210M3-XXXSP/FP and M37210M4-XXXSP are equipped with one 14-bit PWM (DA) and eight 6-bit PWMs (PWM0-PWM7), and the M37211M2-XXXSP is equipped with six 6-bit PWMs (PWM0-PWM5). The 14-bit resolution gives DA the minimum resolution bit width of 500ns (for $f(X_{IN}) = 4\text{MHz}$) and a repeat period of 8192 μs . PWM0-PWM7 have a 6-bit resolution with minimum resolution bit width of 16 μs and repeat period of 1024 μs .

Block diagram of the PWM is shown in Figure 16.

The PWM timing generator section applies individual control signals to DA and PWM0-7 using clock input X_{IN} divided by 2 as a reference signal.

(2) Data Setting

The output pins PWM0-3 are in common with port P6 and PWM4-7 are in common with port P00-P03.

For PWM output, each PWM output selection bit (bit 1 to 7 of PWM output control register 1, bit 0, 1 of PWM output control register 2, should be set. When DA is used for output, first set the higher 8-bit of the DA-H register (address 00CE16), then the lower 6-bit of the DA-L register (address 00CF16).

When one of the PWM0-7 is used for output, set the 6-bit in the PWM0-7 register (address 00D016 to 00D416, 00F616 to 00F816), respectively.

(3) Transferring Data from Registers to PWM Circuit

The data written to the PWM registers. 8 bits of the DA-H register is transferred to 14-bit PWM circuit when writing to lower 6 bits of the DA-L register.

(4) Operation of the 6-bit PWMs

The timing diagram of the eight 6-bit PWMs (PWM0-7) is shown in Figure 13. One period (T) is composed of 64 (2^6) segments. There are six different pulse types configured from bits 0 to 5 representing the significance of each bit. These are output

within one period in the circuit internal section. Refer to Figure 13 (a).

Six different pulses can be output from the PWM.

These can be selected by bits 0 through 5. Depending on the content of the 6-bit PWM latch, pulses from 5 to 0 are selected. The PWM output is the difference of the sum of each of these pulses. Several examples are shown in Figure 13 (b). Changes in the contents of the PWM latch allows the selection of 64 lengths of high-level area outputs varying from 0/64 to 63/64. A length of entirely high-level output cannot be output, i.e. 64/64.

(5) 14-bit PWM Operation

The output example of the 14-bit PWM is shown in Figure 14. The 14-bit PWM divides the data within the PWM latch into the lower 6 bits and higher 8 bits.

A high-level area within a length D_H times τ is output every short area of $t = 256 \tau = 128\mu\text{s}$ as determined by data D_H of the higher 8 bits.

Thus, the time for the high-level area is equal to the time set by the lower 8 bits or that plus τ . As a result, the short-area period $t (= 128\mu\text{s}, \text{ approx. } 7.8 \text{ kHz})$ becomes an approximately repetitive period.

(6) Output after Reset

At reset the output of port P6 is in the high impedance state and the contents of the PWM register and latch are undefined. Note that after setting the PWM register, its data is transferred to the latch.

Table 2. Relation between the low-order 6 bits of data and high-level area increase space

6 low-order bits of data	Area longer by τ than that of other t_m ($m = 0$ to 63)
0 0 0 0 0 0 ^{LSB}	Nothing
0 0 0 0 0 1	$m = 32$
0 0 0 0 1 0	$m = 16, 48$
0 0 0 1 0 0	$m = 8, 24, 40, 56$
0 0 1 0 0 0	$m = 4, 12, 20, 28, 36, 44, 52, 60$
0 1 0 0 0 0	$m = 2, 6, 10, 14, 18, 22, 26, 30, 34, 38, 42, 46, 50, 54, 58, 62$
1 0 0 0 0 0	$m = 1, 3, 5, 7, \dots, 57, 59, 61, 63$

M37210M3-XXXSP/FP, M37210M4-XXXSP, M37211M2-XXXSP M37210E4-XXXSP/FP, M37210E4SP/FP

SINGLE-CHIP 8-BIT CMOS MICROCOMPUTER for VOLTAGE SYNTHESIZER
with ON-SCREEN DISPLAY CONTROLLER

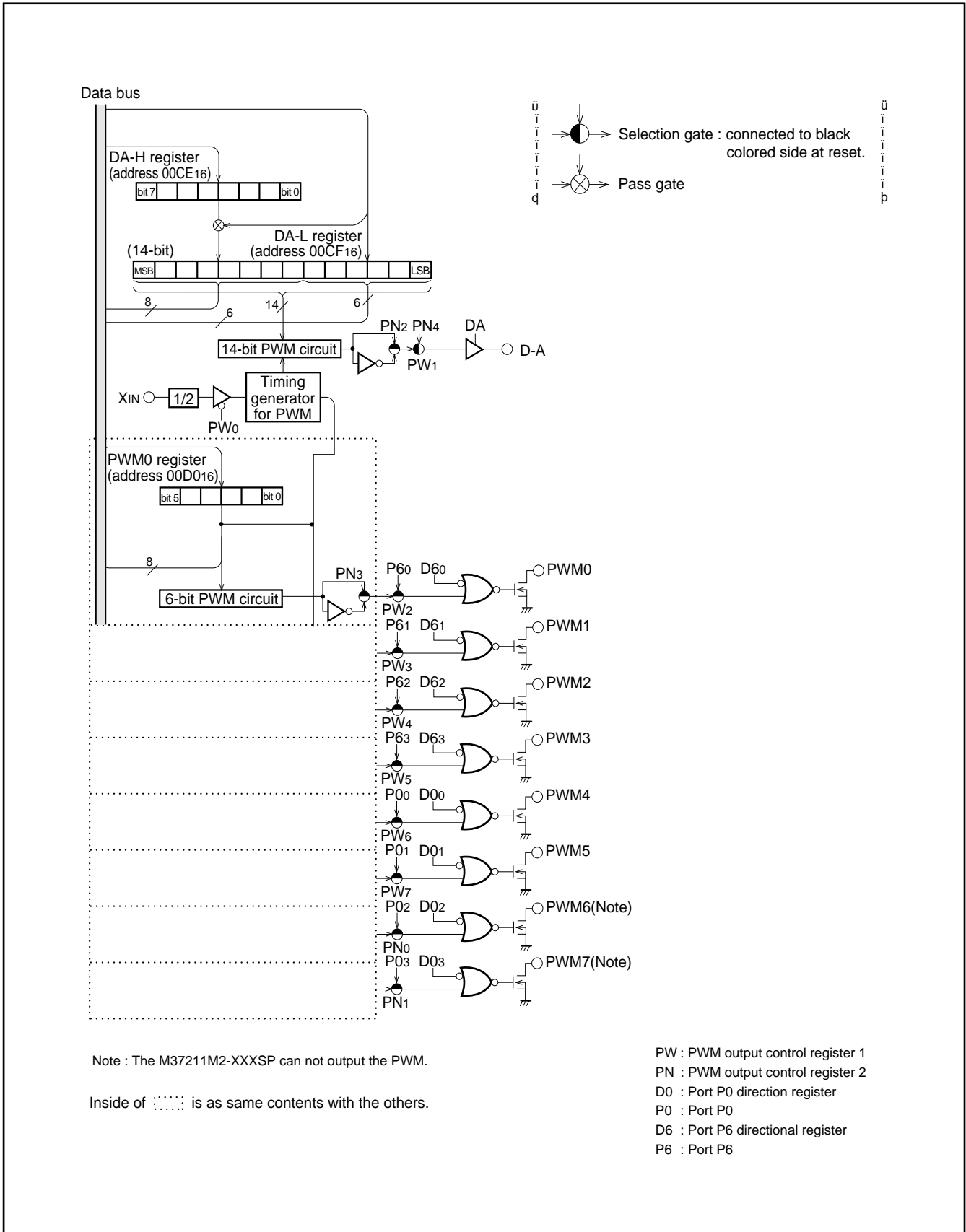


Fig. 12 PWM block diagram

**M37210M3-XXXSP/FP, M37210M4-XXXSP, M37211M2-XXXSP
M37210E4-XXXSP/FP, M37210E4SP/FP**

SINGLE-CHIP 8-BIT CMOS MICROCOMPUTER for VOLTAGE SYNTHESIZER
with ON-SCREEN DISPLAY CONTROLLER

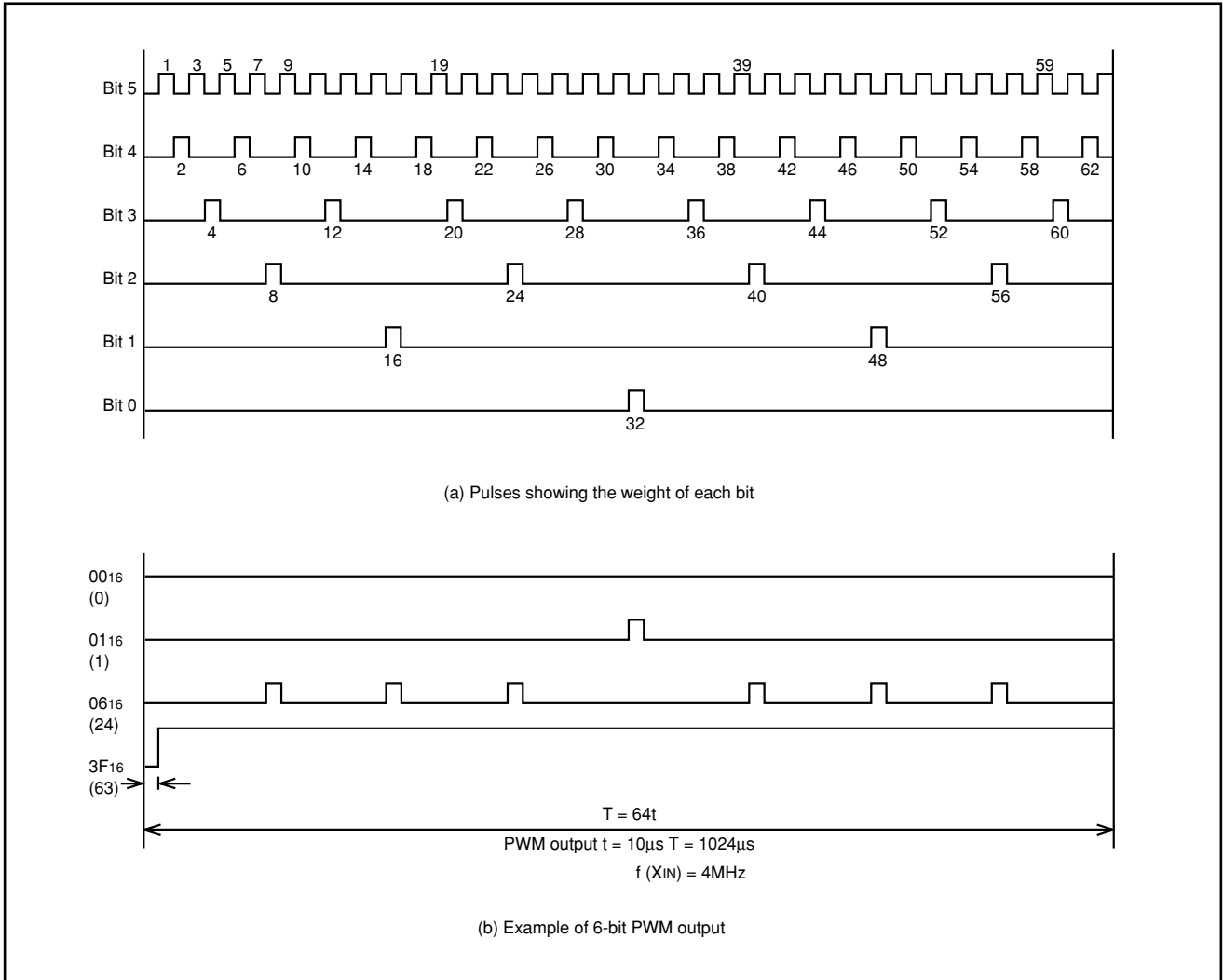


Fig. 13 6-bit PWM timing

**M37210M3-XXXSP/FP, M37210M4-XXXSP, M37211M2-XXXSP
M37210E4-XXXSP/FP, M37210E4SP/FP**

SINGLE-CHIP 8-BIT CMOS MICROCOMPUTER for VOLTAGE SYNTHESIZER
with ON-SCREEN DISPLAY CONTROLLER

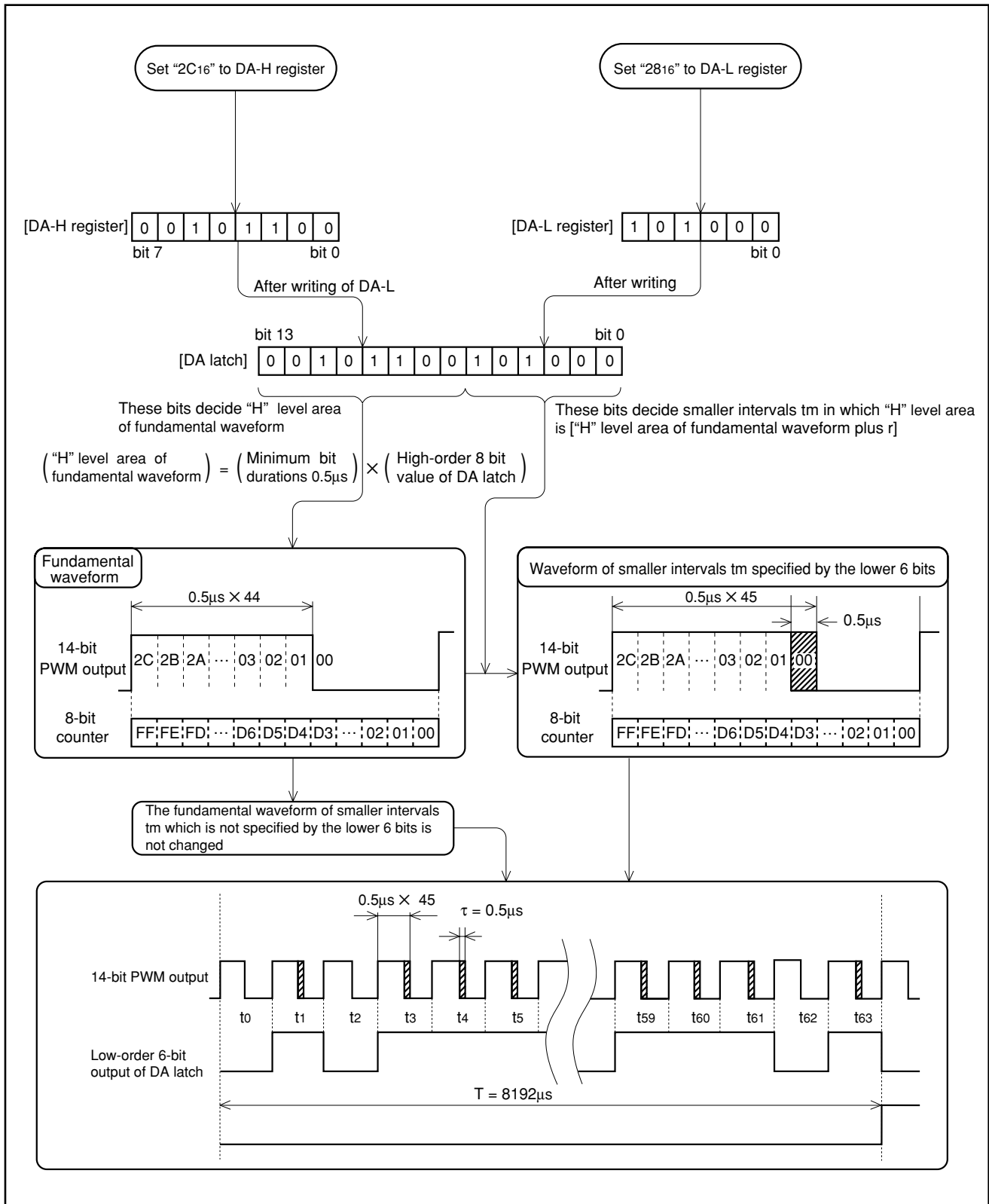


Fig. 14 14-bit PWM output example ($f(XIN) = 4MHz$)

M37210M3-XXXSP/FP, M37210M4-XXXSP, M37211M2-XXXSP M37210E4-XXXSP/FP, M37210E4SP/FP

SINGLE-CHIP 8-BIT CMOS MICROCOMPUTER for VOLTAGE SYNTHESIZER
with ON-SCREEN DISPLAY CONTROLLER

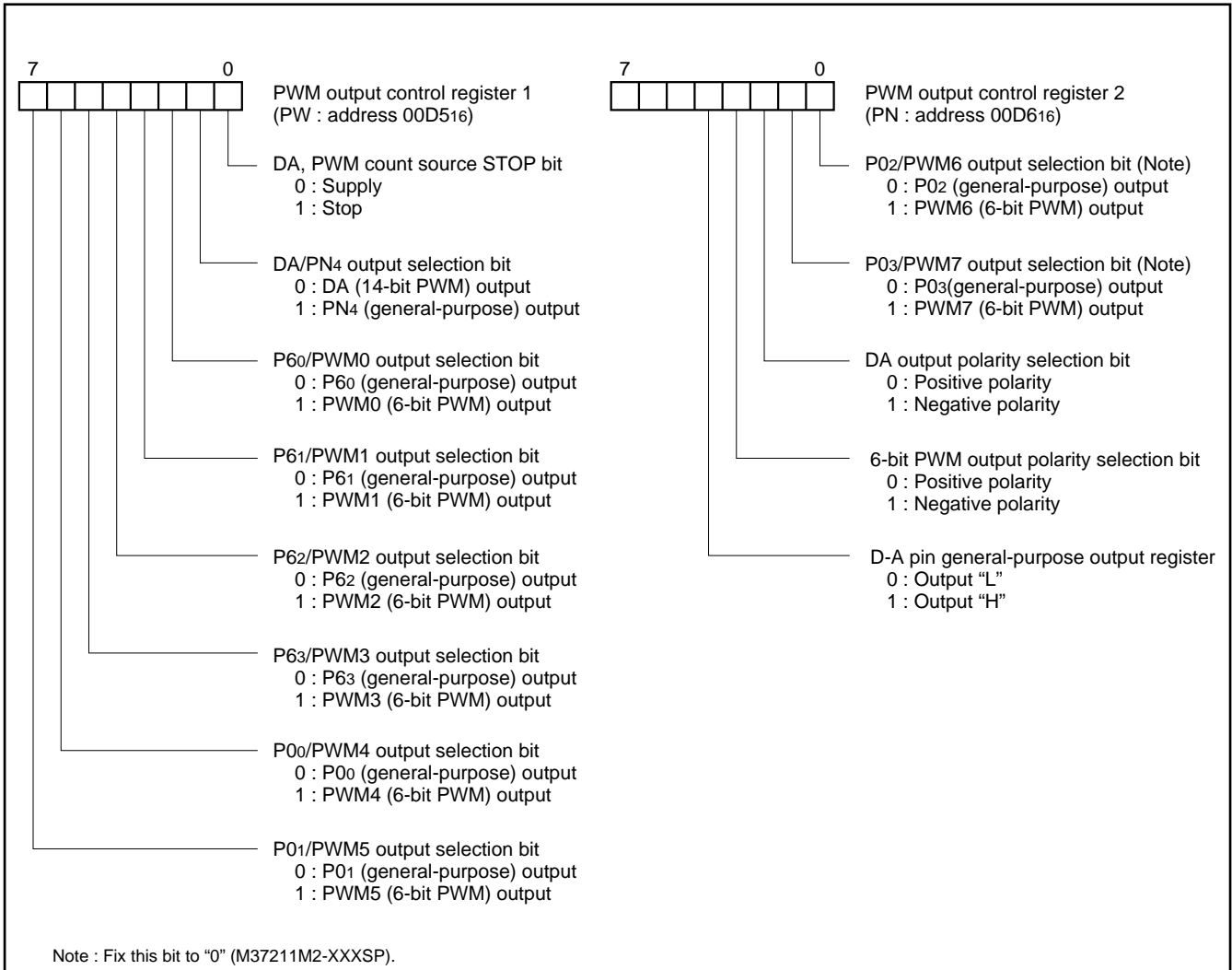


Fig.15 Structure of PWM output control registers 1 and 2

M37210M3-XXXSP/FP, M37210M4-XXXSP, M37211M2-XXXSP M37210E4-XXXSP/FP, M37210E4SP/FP

SINGLE-CHIP 8-BIT CMOS MICROCOMPUTER for VOLTAGE SYNTHESIZER
with ON-SCREEN DISPLAY CONTROLLER

A-D COMPARATOR

Block diagram of A-D comparator is shown in Figure 18. A-D comparator consists of 5-bit D-A converter and comparator. The A-D control register can generate 1/64 V_{CC}-step internal analog voltage based on the settings of bits 0 to 4.

Table 3 gives the relation between the descriptions of A-D control register bits 0 to 4 and the generated internal analog voltage. The comparison result of the analog input voltage and the internal analog voltage is stored in the A-D control register, bit 5.

After selection of an analog input pin by bits 0-2 of A-D mode register (address 00EE16), the digital value corresponding to the internal analog voltage to be compared is then written in the A-D control register, bit 0 to 3 and an analog input pin is selected. After 16 machine cycle, the voltage comparison is completed.

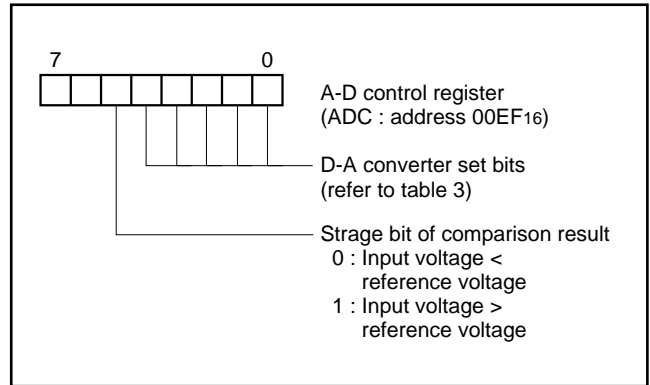


Fig. 16 Structure of A-D control register

Table 3. Relationship between the contents of A-D control register and reference voltage

A-D control register					Reference voltage Vref
Bit4	Bit 3	Bit 2	Bit 1	Bit 0	
0	0	0	0	0	1/64 V _{CC}
0	0	0	0	1	3/64 V _{CC}
0	0	0	1	0	5/64 V _{CC}
⋮	⋮	⋮	⋮	⋮	⋮
1	1	1	0	1	27/64 V _{CC}
1	1	1	1	0	29/64 V _{CC}
1	1	1	1	1	31/64 V _{CC}

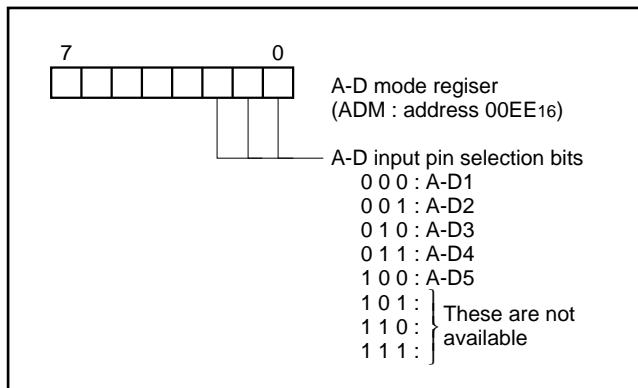


Fig. 17 Structure of A-D mode register

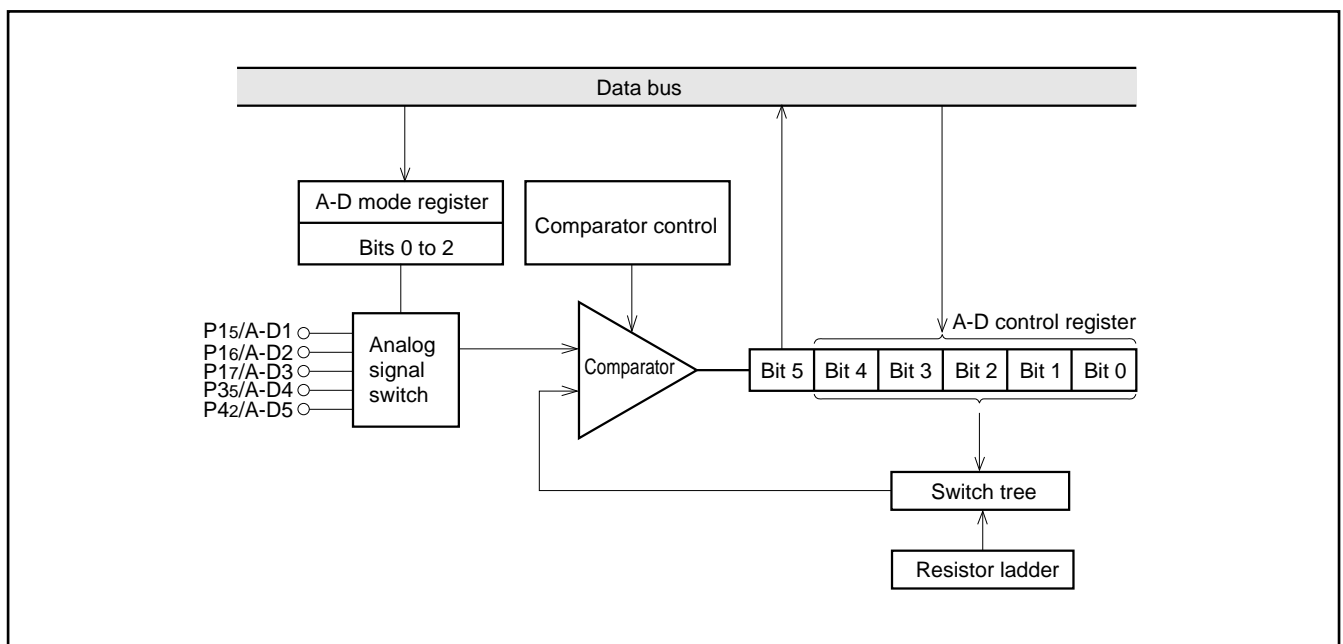


Fig. 18 A-D comparator block diagram

M37210M3-XXXSP/FP, M37210M4-XXXSP, M37211M2-XXXSP M37210E4-XXXSP/FP, M37210E4SP/FP

SINGLE-CHIP 8-BIT CMOS MICROCOMPUTER for VOLTAGE SYNTHESIZER
with ON-SCREEN DISPLAY CONTROLLER

CRT DISPLAY FUNCTIONS

(1) Outline of CRT Display Functions

Table 4 outlines the CRT display functions of the M37210M3-XXXSP. The M37210M3-XXXSP incorporates a 18 columns X 2 lines CRT display control circuit. CRT display is controlled by the CRT display control register.

Up to 96 kinds of characters can be displayed, and colors can be specified for each character. Four colors can be displayed on one screen. A combination of up to 7 colors can be obtained by using each output signal (R, G and B).

Characters are displayed in a 12 X 16 dot configuration to obtain smooth character patterns (refer to Figure 19).

The following shows the procedure how to display characters on the CRT screen.

Table 4. Outline of CRT display functions

Parameter		Functions
Number of display character		18 characters X 2 lines
Character configuration		12 X 16 dots (refer to Figure 19)
Kinds of character		96
Character size		3 kinds
Color	Kinds of color	1 screen : 4 kinds
	Coloring unit	A character
Display expansion		Possible (multiline display)
Raster coloring		Possible (maximum 7 kinds)

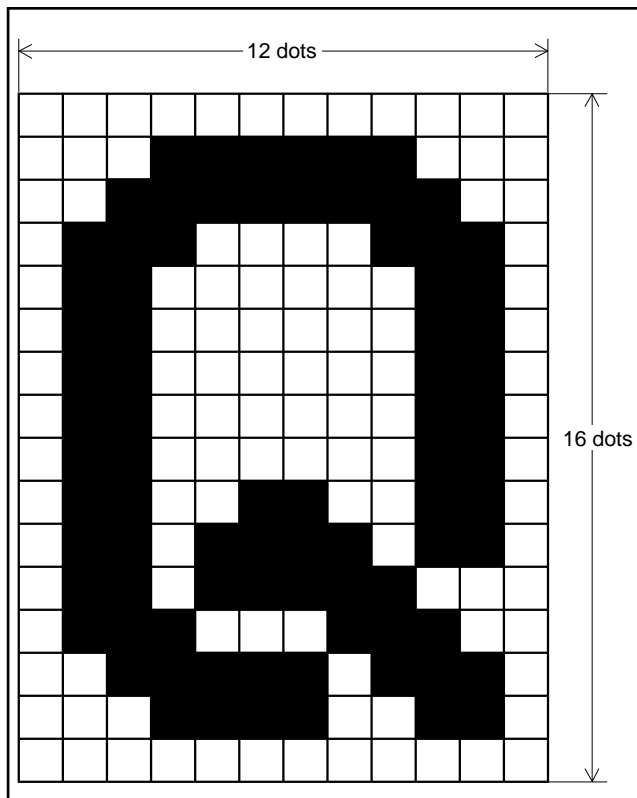


Fig. 19 CRT display character configuration

- ① Set the character to be displayed in display RAM.
- ② Set the display color by using the color register.
- ③ Specify the color register in which the display color is set by using the display RAM.
- ④ Specify the vertical position and character size by using the vertical position register and the character size register.
- ⑤ Specify the horizontal position by using the horizontal position register.
- ⑥ Write the display enable bit to the designated block display flag of the CRT control register. When this is done, the CRT starts operation according to the input of the V_{SYNC} signal.

The CRT display circuit has an extended display mode.

This mode allows multiple lines (more than 3 lines) to be displayed on the screen by interrupting the display each time one line is displayed and rewriting data in the block for which display is terminated by software.

Figure 21 shows a block diagram of the CRT display control circuit. Figure 20 shows the structure of the CRT display control register.

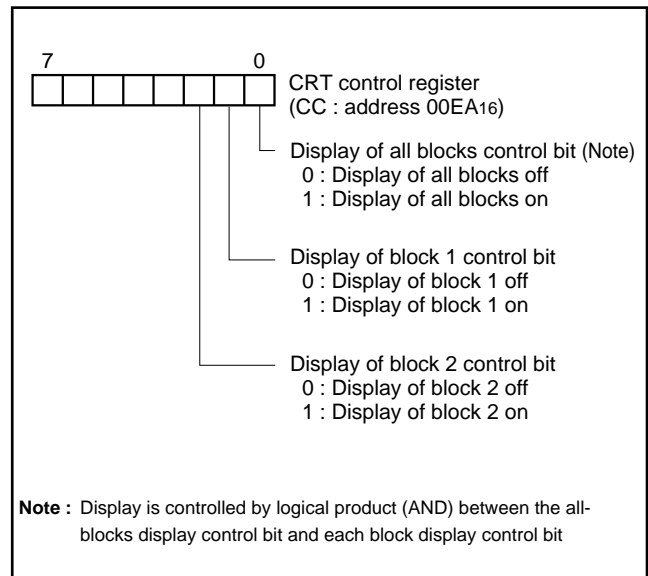


Fig. 20 Structure of CRT control register

**M37210M3-XXXSP/FP, M37210M4-XXXSP, M37211M2-XXXSP
M37210E4-XXXSP/FP, M37210E4SP/FP**

SINGLE-CHIP 8-BIT CMOS MICROCOMPUTER for VOLTAGE SYNTHESIZER
with ON-SCREEN DISPLAY CONTROLLER

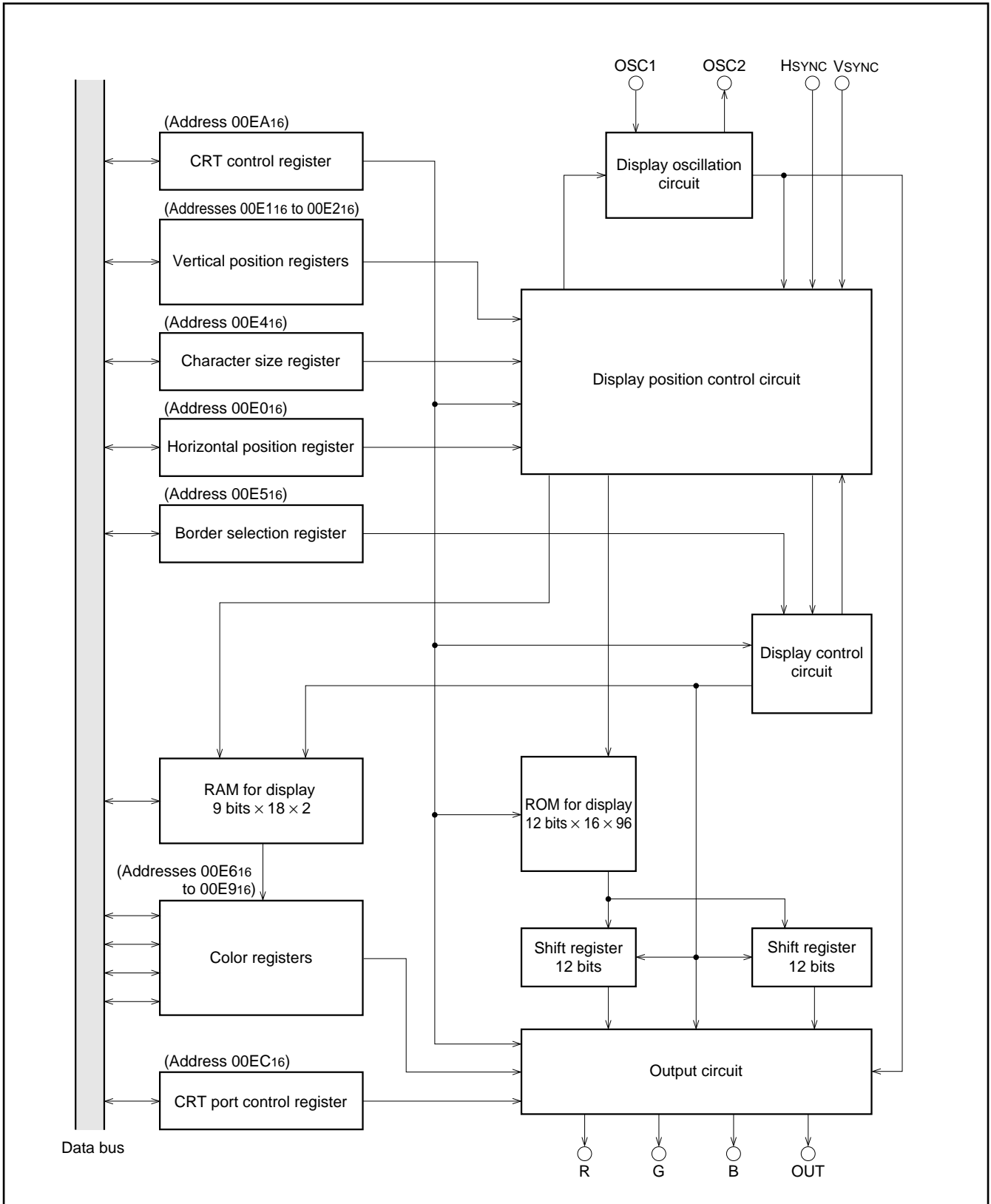


Fig. 21 Block diagram of CRT display control circuit

M37210M3-XXXSP/FP, M37210M4-XXXSP, M37211M2-XXXSP M37210E4-XXXSP/FP, M37210E4SP/FP

SINGLE-CHIP 8-BIT CMOS MICROCOMPUTER for VOLTAGE SYNTHESIZER
with ON-SCREEN DISPLAY CONTROLLER

(2) Display Position

The display positions of characters are specified in units called a "block". There are two blocks, block 1 and block 2.

Up to 18 characters can be displayed in one block (refer to (4) Memory for Display).

The display position of each block in both horizontal and vertical directions can be set by software.

The horizontal direction is common to all blocks, and is selected from 64-step display positions in units of $4T_c$ (T_c = oscillating cycle for display).

The display position in the vertical direction is selected from 128-step display positions for each block in units of four scanning lines.

Block 2 is displayed after the display of block 1 perfectly (fig. 24(a)). Then if the display of block 2 starts during the display of block 1, only block 1 is displayed. As same, when multiline display, block 1 is displayed after the display of block 2 perfectly (fig. 24(b)).

The vertical position can be specified from 128-step positions (four scanning lines per step) for each block by setting values 00_{16} to $7F_{16}$ to bits 0 to 6 in the vertical position register (addresses $00E1_{16}$ and $00E2_{16}$). Figure 22 shows the structure of the vertical position register.

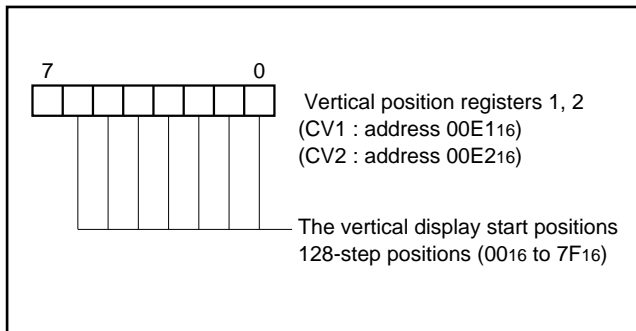


Fig. 22 Structure of vertical position registers

The horizontal direction is common to all blocks, and can be specified from 64-step display positions ($4T_c$ per step (T_c = oscillating cycle for display) by setting values 00_{16} to $3F_{16}$ to bits 0 to 5 in the horizontal position register (address $00E0_{16}$). Figure 23 shows the structure of the horizontal position register.

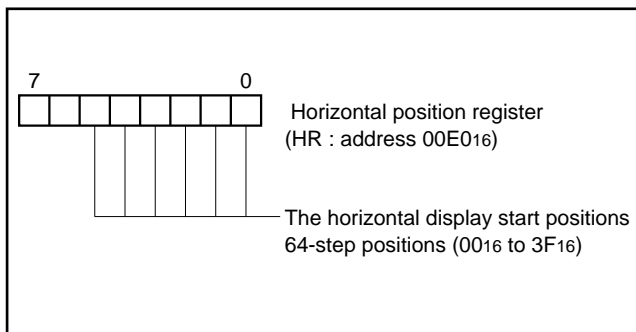


Fig. 23 Structure of horizontal position register

**M37210M3-XXXSP/FP, M37210M4-XXXSP, M37211M2-XXXSP
M37210E4-XXXSP/FP, M37210E4SP/FP**

SINGLE-CHIP 8-BIT CMOS MICROCOMPUTER for VOLTAGE SYNTHESIZER
with ON-SCREEN DISPLAY CONTROLLER

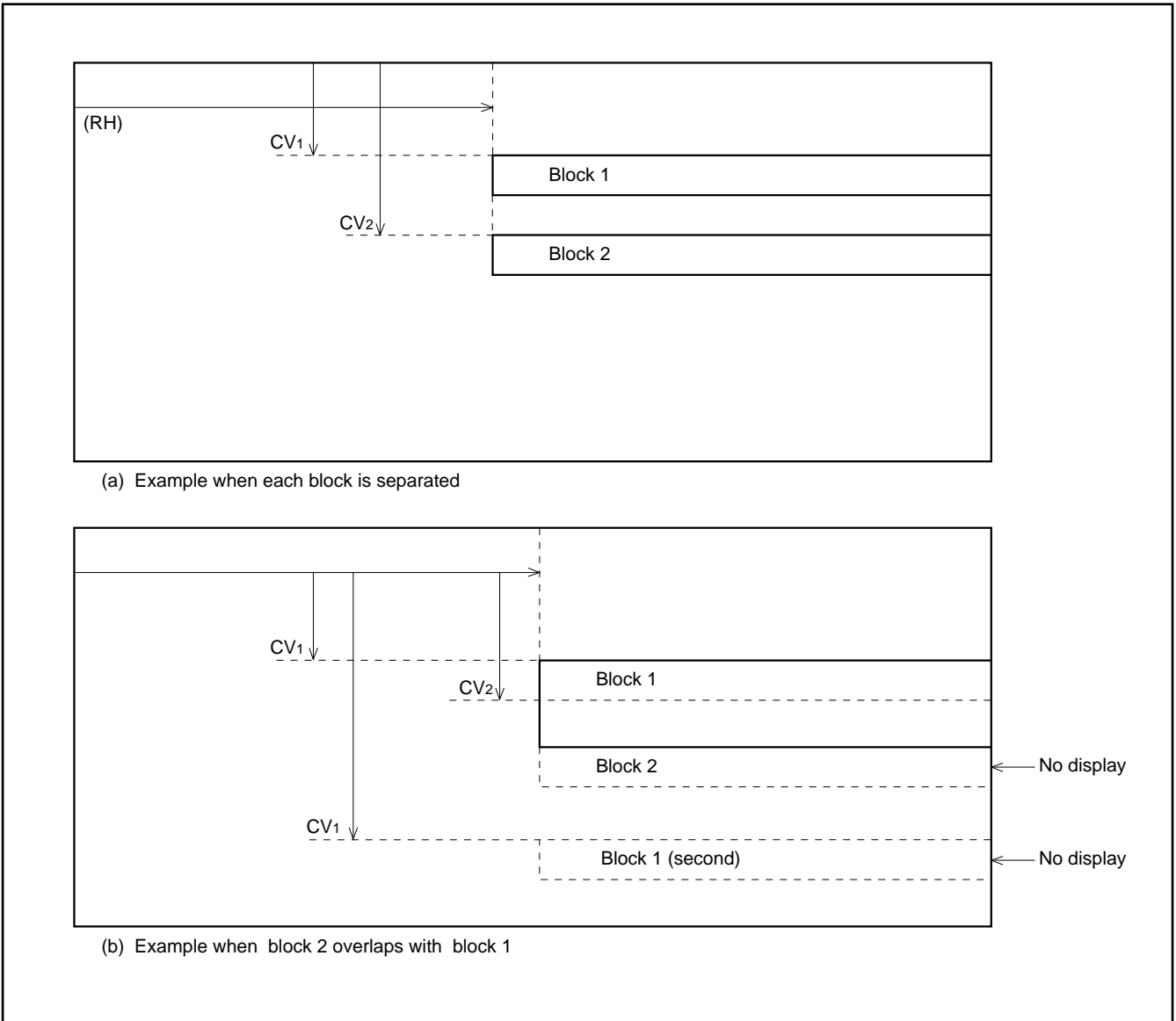


Fig. 24 Display position

M37210M3-XXXSP/FP, M37210M4-XXXSP, M37211M2-XXXSP M37210E4-XXXSP/FP, M37210E4SP/FP

SINGLE-CHIP 8-BIT CMOS MICROCOMPUTER for VOLTAGE SYNTHESIZER
with ON-SCREEN DISPLAY CONTROLLER

(3) Character Size

The size of characters to be displayed can be selected from three sizes for each block. Use the character size register (address 00E416) to set a character size. The character size in block 1 can be specified by using bits 0 and 1 in the character size register ; the character size in block 2 can be specified by using bits 2 and 3. Figure 25 shows the structure of the character size register.

The character size can be selected from three sizes : small size, medium size and large size. Each character size is determined by the number of scanning lines in the height (vertical) direction and the cycle of display oscillation (= Tc) in the width (horizontal) direction.

The small size consists of [one scanning line] X [1 Tc] ; the medium size consists of [two scanning lines] X [2 Tc] ; and the large size consists of [three scanning lines] X [3 Tc].

Table 5 shows the relationship between the set values in the character size register and the character sizes.

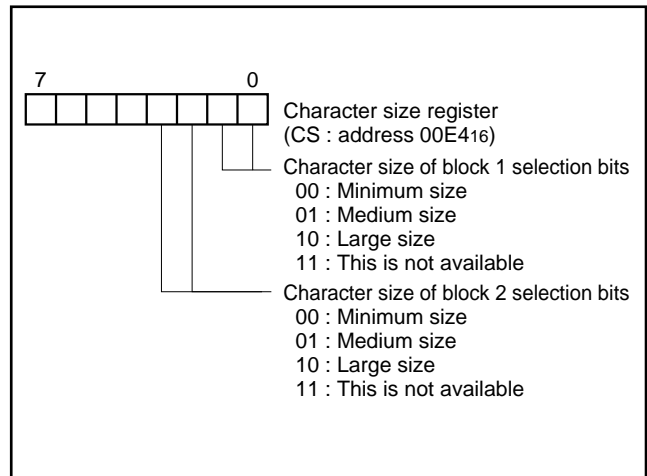


Fig. 25 Structure of character size register

Table 5. The relationship between the set values of the character size register and the character sizes

Set values of the character size register		Character size	Width (horizontal) direction Tc : oscillating cycle for display	Height (vertical) direction scanning lines
CSn1	CSno			
0	0	Minimum	1 Tc	1
0	1	Medium	2 Tc	2
1	0	Large	3 Tc	3
1	1	This is not available		

Note : The display start position in the horizontal direction is not affected by the character size. In other words, the horizontal display start position is common to all blocks even when the character size varies with each block (refer to Figure 26).

M37210M3-XXXSP/FP, M37210M4-XXXSP, M37211M2-XXXSP M37210E4-XXXSP/FP, M37210E4SP/FP

SINGLE-CHIP 8-BIT CMOS MICROCOMPUTER for VOLTAGE SYNTHESIZER
with ON-SCREEN DISPLAY CONTROLLER

(4) Memory for Display

There are two types of memory for display : ROM of CRT display (addresses 3000₁₆ to 35FF₁₆, 3800₁₆ to 3DFF₁₆) used to store character dot data (masked) and display RAM (addresses 2000₁₆ to 20B1₁₆) used to specify the colors of characters to be displayed. The following describes each type of display memory.

① ROM for display (addresses 3000₁₆ to 35FF₁₆ and 3800₁₆ to 3DFF₁₆)

The CRT display ROM contains dot pattern data for characters to be displayed. For characters stored in this ROM to be actually displayed, it is necessary to specify them by writing the character code inherent to each character (code determined based on the addresses in the CRT display ROM) into the CRT display RAM.

The CRT display ROM has a capacity of 3K bytes. Because 32 bytes are required for one character data, the ROM can contain up to 96 kinds of characters.

The CRT display ROM space is broadly divided into two areas. The [vertical 16 dots] × [horizontal (left side) 8 dots] data of display characters are stored in addresses 3000₁₆ to 35FF₁₆; the [vertical 16 dots] × [horizontal (right side) 4 dots] data of display characters are stored in addresses 3800₁₆ to 3DFF₁₆ (refer to Figure 27). Note however that the four upper bits in the data to be written to addresses 3800₁₆ to 3DFF₁₆ must be set to "1" (by writing data F0₁₆ to FF₁₆).

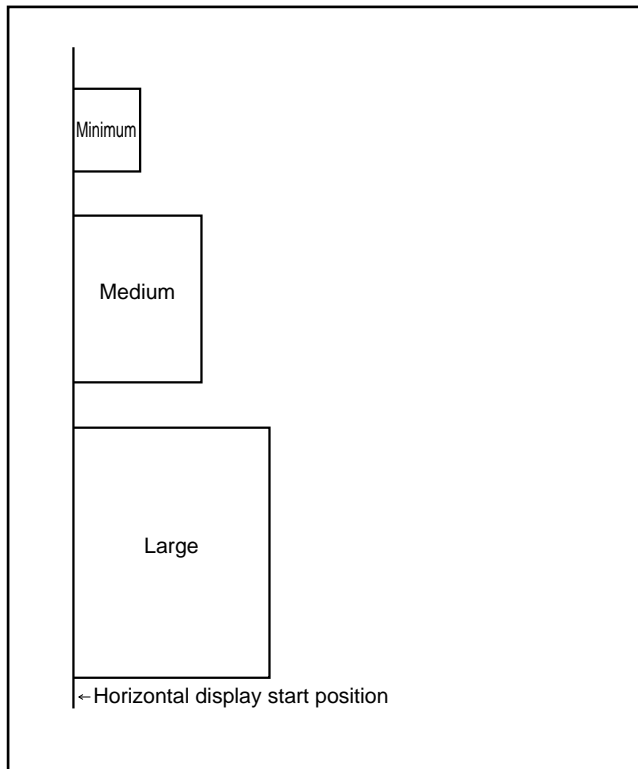


Fig. 26 Display start position of each character size (horizontal direction)

Table 6. Character code list

Character code	Contained up address of character data	
	Left 8 dots lines	Right 4 dots lines
00 ₁₆	3000 ₁₆ to 300F ₁₆	3800 ₁₆ to 380F ₁₆
01 ₁₆	3010 ₁₆ to 301F ₁₆	3810 ₁₆ to 381F ₁₆
02 ₁₆	3020 ₁₆ to 302F ₁₆	3820 ₁₆ to 382F ₁₆
03 ₁₆	3030 ₁₆ to 303F ₁₆	3830 ₁₆ to 383F ₁₆
:	:	:
10 ₁₆	3100 ₁₆ to 310F ₁₆	3900 ₁₆ to 390F ₁₆
11 ₁₆	3110 ₁₆ to 311F ₁₆	3910 ₁₆ to 391F ₁₆
:	:	:
4F ₁₆	34F0 ₁₆ to 34FF ₁₆	3CF0 ₁₆ to 3CFF ₁₆
50 ₁₆	3500 ₁₆ to 350F ₁₆	3D00 ₁₆ to 3D0F ₁₆
:	:	:
5D ₁₆	35D0 ₁₆ to 35DF ₁₆	3DD0 ₁₆ to 3DDF ₁₆
5E ₁₆	35E0 ₁₆ to 35EF ₁₆	3DE0 ₁₆ to 3DEF ₁₆
5F ₁₆	35E0 ₁₆ to 35FF ₁₆	3DF0 ₁₆ to 3DFF ₁₆

M37210M3-XXXSP/FP, M37210M4-XXXSP, M37211M2-XXXSP M37210E4-XXXSP/FP, M37210E4SP/FP

SINGLE-CHIP 8-BIT CMOS MICROCOMPUTER for VOLTAGE SYNTHESIZER
with ON-SCREEN DISPLAY CONTROLLER

The character code used to specify a character to be displayed is determined based on the address in the CRT display ROM in which that character is stored.

Assume that data for one character is stored at addresses $3XX0_{16}$ to $3XXF_{16}$ (XX denotes 00_{16} to $5F_{16}$) and addresses $3YY0_{16}$ to $3YYF_{16}$ (YY denotes 80_{16} to DF_{16}), then the character code for it is "XX16".

In other words, character code for any given character is configured with two middle digits of the four-digit (hexnotated) addresses 3000_{16} to $35FF_{16}$ where data for that character is stored.

Table 6 lists the character codes.

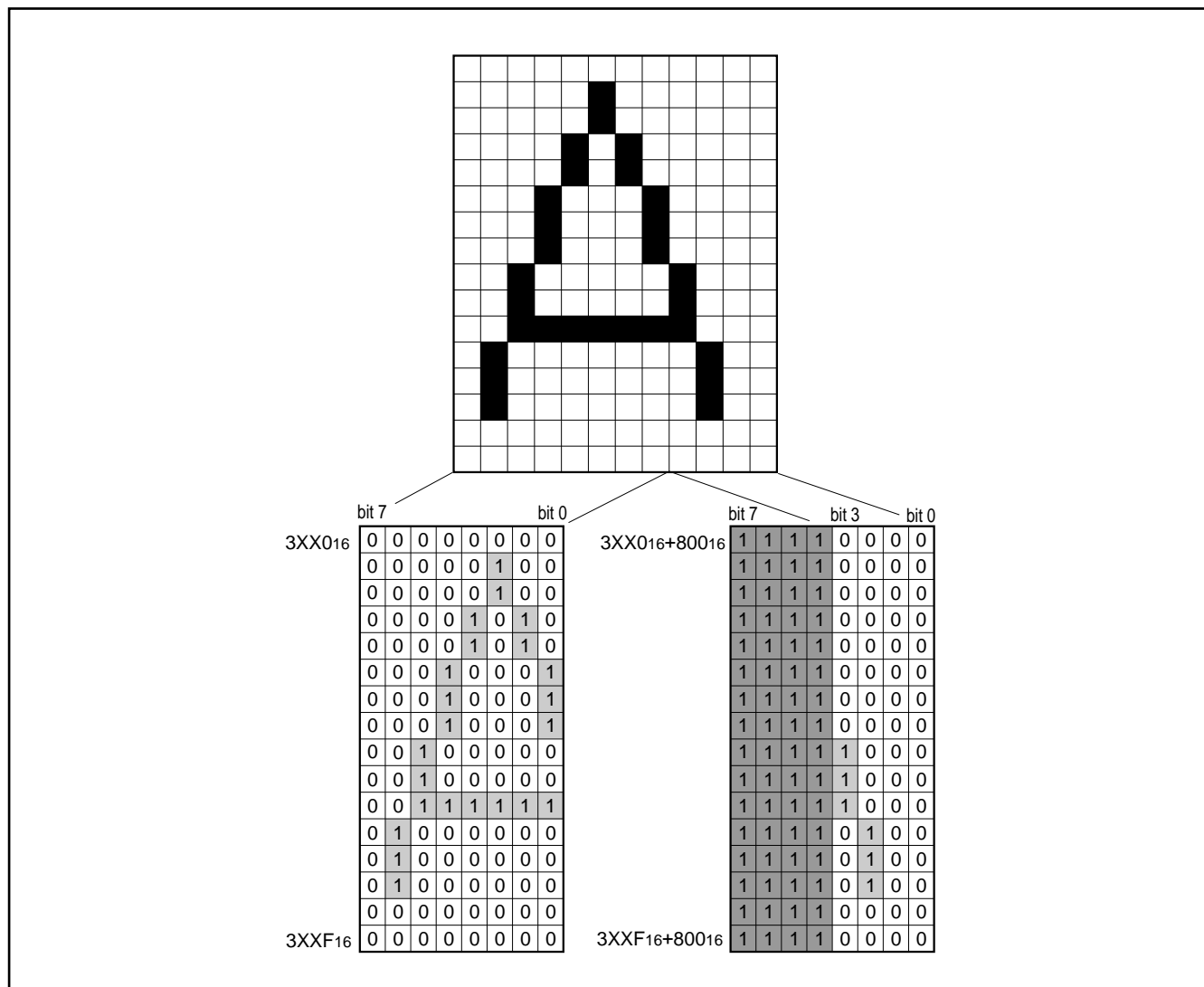


Fig. 27 Display character stored area

M37210M3-XXXSP/FP, M37210M4-XXXSP, M37211M2-XXXSP M37210E4-XXXSP/FP, M37210E4SP/FP

SINGLE-CHIP 8-BIT CMOS MICROCOMPUTER for VOLTAGE SYNTHESIZER
with ON-SCREEN DISPLAY CONTROLLER

② RAM for display (address 2000₁₆ to 20B₁₆)

The CRT display RAM is allocated at addresses 2000₁₆ to 20B₁₆, and is divided into a display character code specifying part and display color specifying part for each block.

Table 7 shows the contents of the CRT display RAM.

When a character is to be displayed at the first character (leftmost) position in block 1, for example, it is necessary to write the character code to the seven low-order bits (bits 0 to 6) in address 2000₁₆ and the color register No. to the two low-order bits (bits 0 and 1) in address 2080₁₆. The color register No. to be written here is one of the four color registers in which the color to be displayed is set in advance. For details on color registers, refer to (5) Color Registers.

The structure of the CRT display RAM is shown in Figure 27.

Table 7. The contents of the CRT display RAM

Block	Display position (from left)	Character code specification	Color specification
Block 1	1st character	2000 ₁₆	2080 ₁₆
	2nd character	2001 ₁₆	2081 ₁₆
	3rd character	2002 ₁₆	2082 ₁₆
	⋮	⋮	⋮
	16th character	200F ₁₆	208F ₁₆
	17th character	2010 ₁₆	2090 ₁₆
	18th character	2011 ₁₆	2091 ₁₆
	Not used	2012 ₁₆	2092 ₁₆
		⋮	⋮
		201F ₁₆	209F ₁₆
Block 2	1st character	2020 ₁₆	20A0 ₁₆
	2nd character	2021 ₁₆	20A1 ₁₆
	3rd character	2022 ₁₆	20A2 ₁₆
	⋮	⋮	⋮
	16th character	202F ₁₆	20AF ₁₆
	17th character	2030 ₁₆	20B0 ₁₆
	18th character	2031 ₁₆	20B1 ₁₆
	Not used	2032 ₁₆	20B2 ₁₆
		⋮	⋮
		203F ₁₆	20BF ₁₆

**M37210M3-XXXSP/FP, M37210M4-XXXSP, M37211M2-XXXSP
M37210E4-XXXSP/FP, M37210E4SP/FP**

SINGLE-CHIP 8-BIT CMOS MICROCOMPUTER for VOLTAGE SYNTHESIZER
with ON-SCREEN DISPLAY CONTROLLER

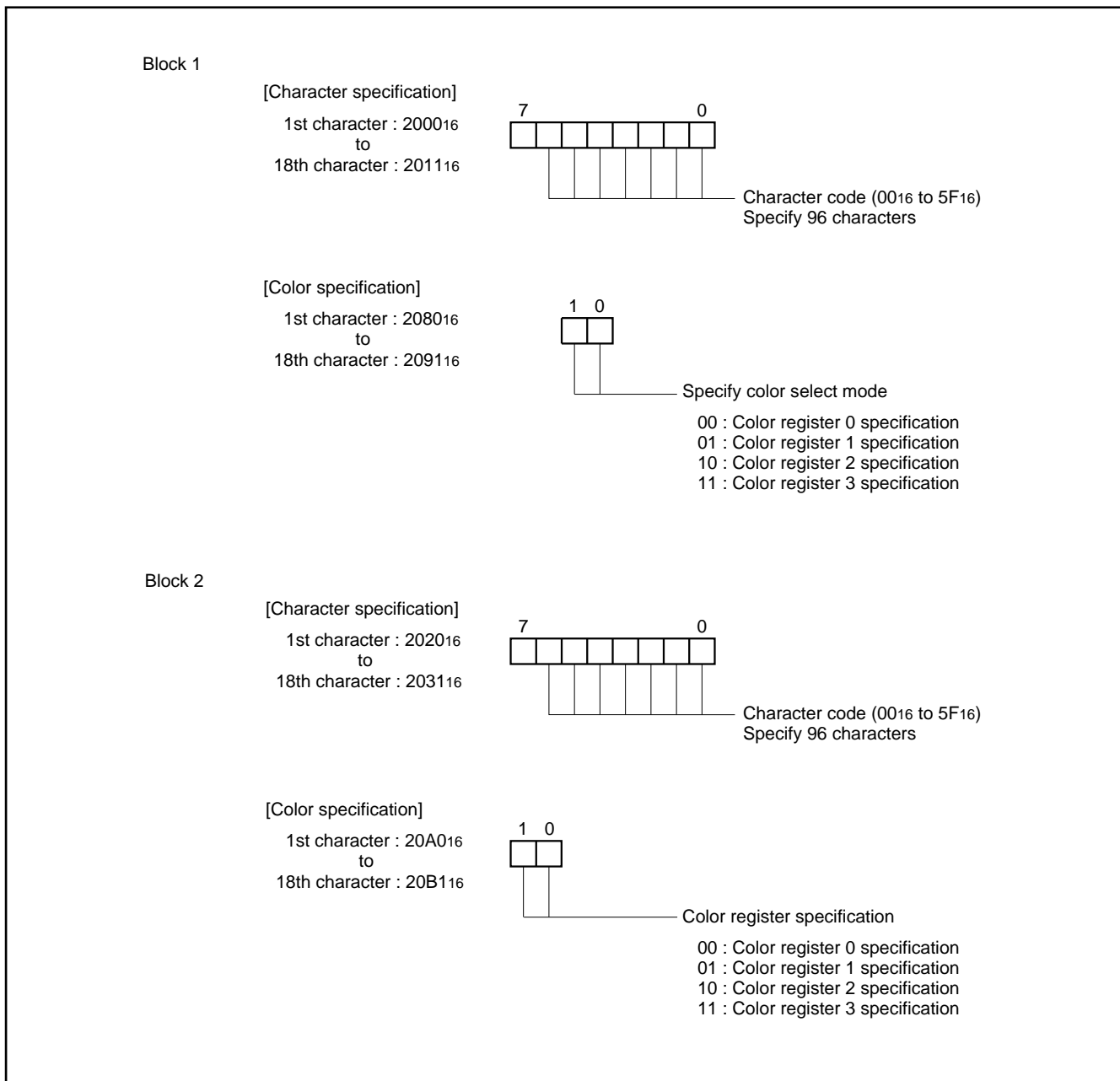


Fig. 28 Structure of the CRT display RAM

M37210M3-XXXSP/FP, M37210M4-XXXSP, M37211M2-XXXSP M37210E4-XXXSP/FP, M37210E4SP/FP

SINGLE-CHIP 8-BIT CMOS MICROCOMPUTER for VOLTAGE SYNTHESIZER
with ON-SCREEN DISPLAY CONTROLLER

(5) Color Registers

The color of a displayed character can be specified by setting the color to one of the four color registers (CO0 to CO3 : addresses 00E6₁₆ to 00E9₁₆) and then specifying that color register with the CRT display RAM.

There are three color outputs : R, G and B. By using a combination of these outputs, it is possible to set 2³-1 (when no output) = 7 colors. However, because only four color registers are available, up to four colors can be displayed at one time.

R, G and B outputs are set by using bits 1 to 3 in the color register. Bit 5 is used to specify whether a character output or blank output. Figure 29 shows the structure of the color register.

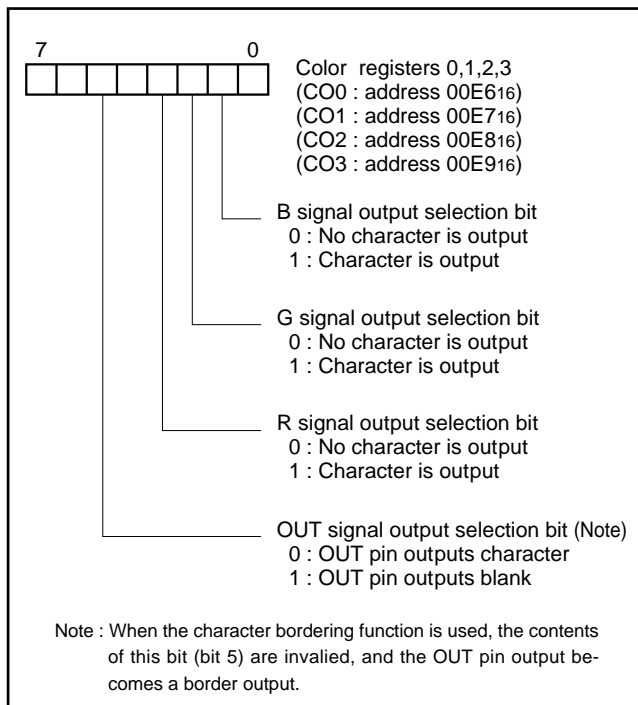


Fig. 29 Structure of color registers

(6) Multiline Display

The M37210M3-XXXSP can normally display two lines on the CRT screen by displaying two blocks at different vertical positions.

In addition, it allows up to 16 lines to be displayed by using a CRT interrupt.

The CRT interrupt works in such a way that when display of one block is terminated, an interrupt request is generated.

In other words, character display for a certain block is initiated when the scanning line reaches the display position for that block (specified with vertical position register) and when the range of that block is exceeded, an interrupt is applied.

Note : A CRT interrupt does not occur at the end of display regardless of display on or off. In other words, even if a block is set to off display with the display control bit of the CRT control register (address 00EA₁₆), a CRT interrupt request occurs (refer to Figure 30).

**M37210M3-XXXSP/FP, M37210M4-XXXSP, M37211M2-XXXSP
M37210E4-XXXSP/FP, M37210E4SP/FP**

SINGLE-CHIP 8-BIT CMOS MICROCOMPUTER for VOLTAGE SYNTHESIZER
with ON-SCREEN DISPLAY CONTROLLER

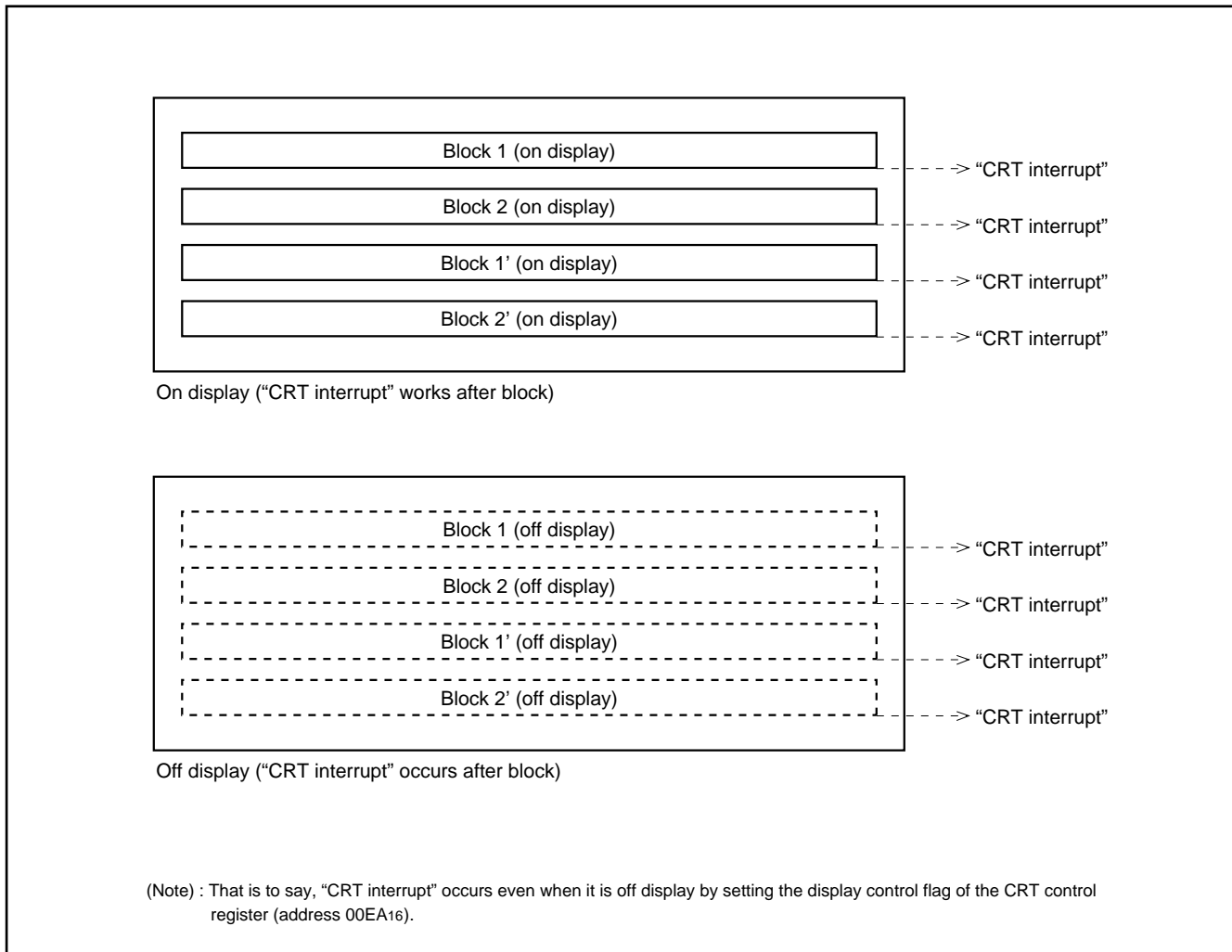


Fig. 30 Timing of CRT interrupt

M37210M3-XXXSP/FP, M37210M4-XXXSP, M37211M2-XXXSP M37210E4-XXXSP/FP, M37210E4SP/FP

SINGLE-CHIP 8-BIT CMOS MICROCOMPUTER for VOLTAGE SYNTHESIZER
with ON-SCREEN DISPLAY CONTROLLER

(7) Character Border Function

An border of a one clock (one dot) equivalent size can be added to a character to be displayed in both horizontal and vertical directions. The border is output from the OUT pin. In this case, bit 5 in the color register (contents output from the OUT pin) is nullified, and the border is output from the OUT pin instead.

Border can be specified in units of block by using the border select register (address 00E516). Table 8 shows the relationship between the values set in the border select register and the character border function. Figure 32 shows the structure of the border select register.

Table 8. The relationship between the value set in the border selection register and the character border function

Border selection register MDn0	Functions	Example of output
0	Ordinary	R, G, B output OUT output
1	Border including character	R, G, B output OUT output

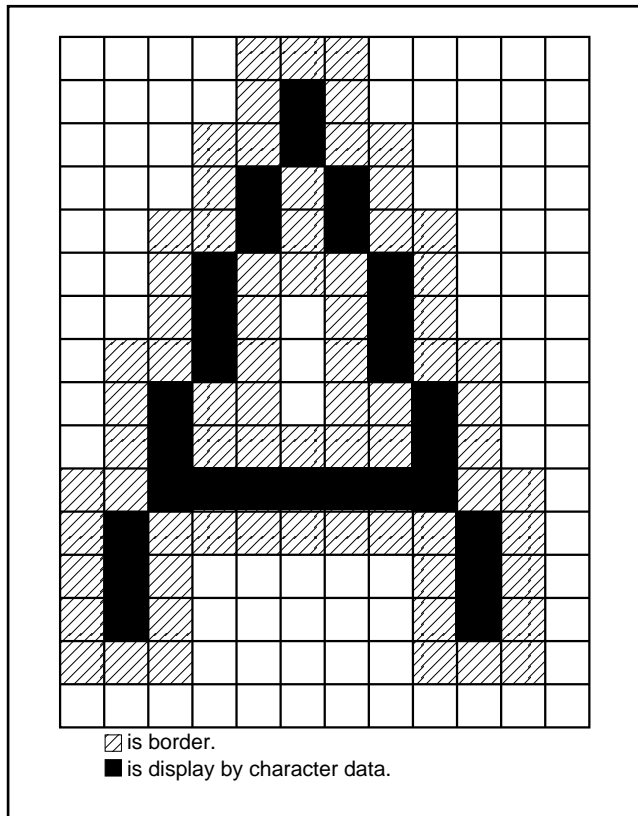


Fig. 31 Example of border

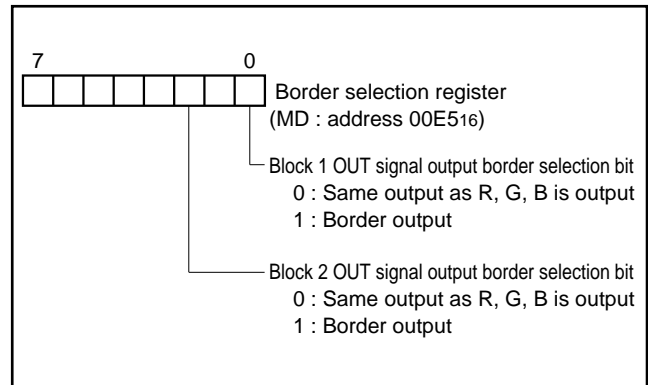


Fig. 32 Structure of border selection register

M37210M3-XXXSP/FP, M37210M4-XXXSP, M37211M2-XXXSP M37210E4-XXXSP/FP, M37210E4SP/FP

SINGLE-CHIP 8-BIT CMOS MICROCOMPUTER for VOLTAGE SYNTHESIZER
with ON-SCREEN DISPLAY CONTROLLER

(8) CRT Output Pin Control

CRT output pins R, G, B and OUT are respectively shared with port P52, P53, P54 and P55. When the corresponding bits in the port P5 control register (address 00CB₁₆) are cleared to "0", the pins are set for CRT output ; when the bits are set to "1", the pins function as port P5 (general- purpose output pins).

The polarities of CRT outputs (R, G, B and OUT, as well as HSYNC and VSYNC) can be specified by using the CRT port control register (address 00EC₁₆).

Use bits 0 to 4 in the CRT port control register to set the output polarities of HSYNC, VSYNC, R/G/B and OUT. When these bits are cleared to "0", a positive polarity is selected ; when the bits are set to "1", a negative polarity is selected.

Bits 5 to 7 in the CRT port control register are used to specify pin by pin whether normal video signals or R-MUTE, G-MUTE, and B-MUTE signals are output from each pin (R, G, B). When set for R-MUTE, G-MUTE, and B-MUTE outputs, the whole background colors of the screen become red, green, and blue.

Figure 33 shows the structure of the CRT port control register.

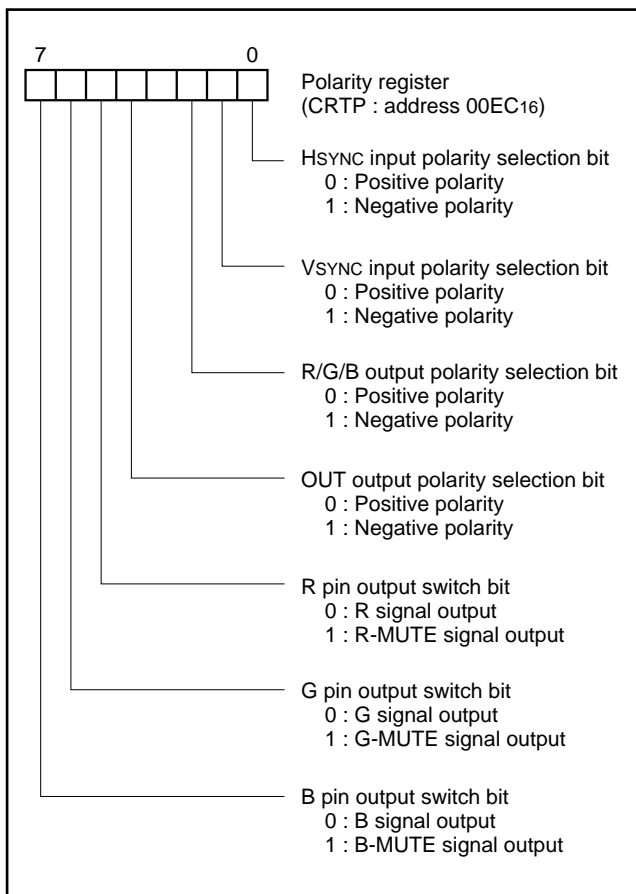


Fig. 33 Structure of CRT port control register

M37210M3-XXXSP/FP, M37210M4-XXXSP, M37211M2-XXXSP M37210E4-XXXSP/FP, M37210E4SP/FP

SINGLE-CHIP 8-BIT CMOS MICROCOMPUTER for VOLTAGE SYNTHESIZER
with ON-SCREEN DISPLAY CONTROLLER

INTERRUPT INTERVAL DETERMINATION FUNCTION

The M37210M3-XXXSP incorporates an interrupt interval determination circuit. This interrupt interval determination circuit has an 8-bit binary up counter as shown in Figure 34.

Using this counter, it determines an interval or a pulse width on the INT1 or INT2 (refer to Figure 36).

The following describes how the interrupt interval is determined.

1. The interrupt input to be determined (INT1 input or INT2 input) is selected by using bit 2 in the interrupt interval determination control register (address 00D8₁₆). When this bit is cleared to "0", the INT1 input is selected ; when the bit is set to "1", the INT2 input is selected.
2. When the INT1 input is to be determined, the polarity is selected by using bit 3 of the interrupt interval determination control register ; when the INT2 input is to be determined, the polarity is selected by using bit 4 of the interrupt interval determination control register.

When the relevant bit is cleared to "0", determination is made of the interval of a positive polarity (rising transition) ; when the bit is set to "1", determination is made of the interval of a negative po-

larity (falling transition).

3. The reference clock is selected by using bit 1 of the interrupt interval determination control register. When the bit is cleared to "0", a 64 μ s clock is selected ; when the bit is set to "1", a 32 μ s clock is selected (based on an oscillation frequency of 4MHz in either case).
4. Simultaneously when the input pulse of the specified polarity (rising or falling transition) occurs on the INT1 pin (or INT2 pin), the 8-bit binary up counter starts counting up with the selected reference clock (64 μ s or 32 μ s).
5. Simultaneously with the next input pulse, the value of the 8-bit binary up counter is loaded into the determination register (address 00D7₁₆) and the counter is immediately reset (00₁₆). The reference clock is input in succession even after the counter is reset, and the counter restarts counting up from "00₁₆".
6. When count value "FE₁₆" is reached, the 8-bit binary up counter stops counting. Then, simultaneously when the next reference clock is input, the counter sets value "FF₁₆" to the determination register.

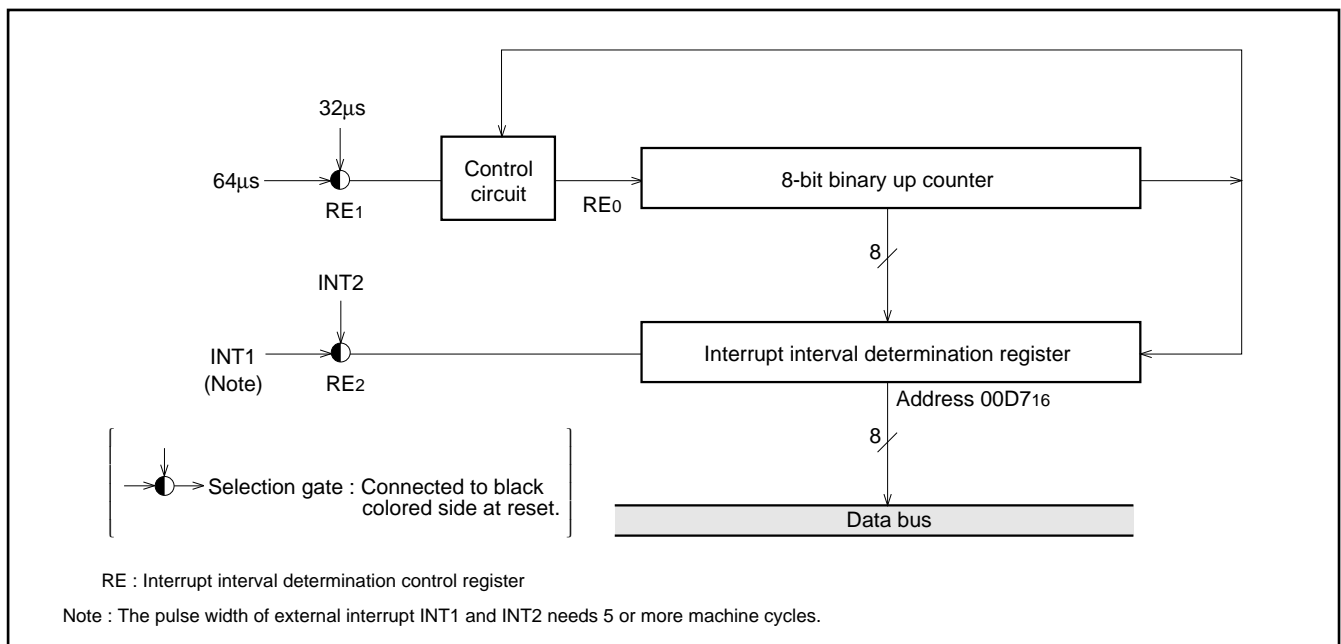


Fig. 34 Block diagram of interrupt interval determination circuit

M37210M3-XXXSP/FP, M37210M4-XXXSP, M37211M2-XXXSP M37210E4-XXXSP/FP, M37210E4SP/FP

SINGLE-CHIP 8-BIT CMOS MICROCOMPUTER for VOLTAGE SYNTHESIZER
with ON-SCREEN DISPLAY CONTROLLER

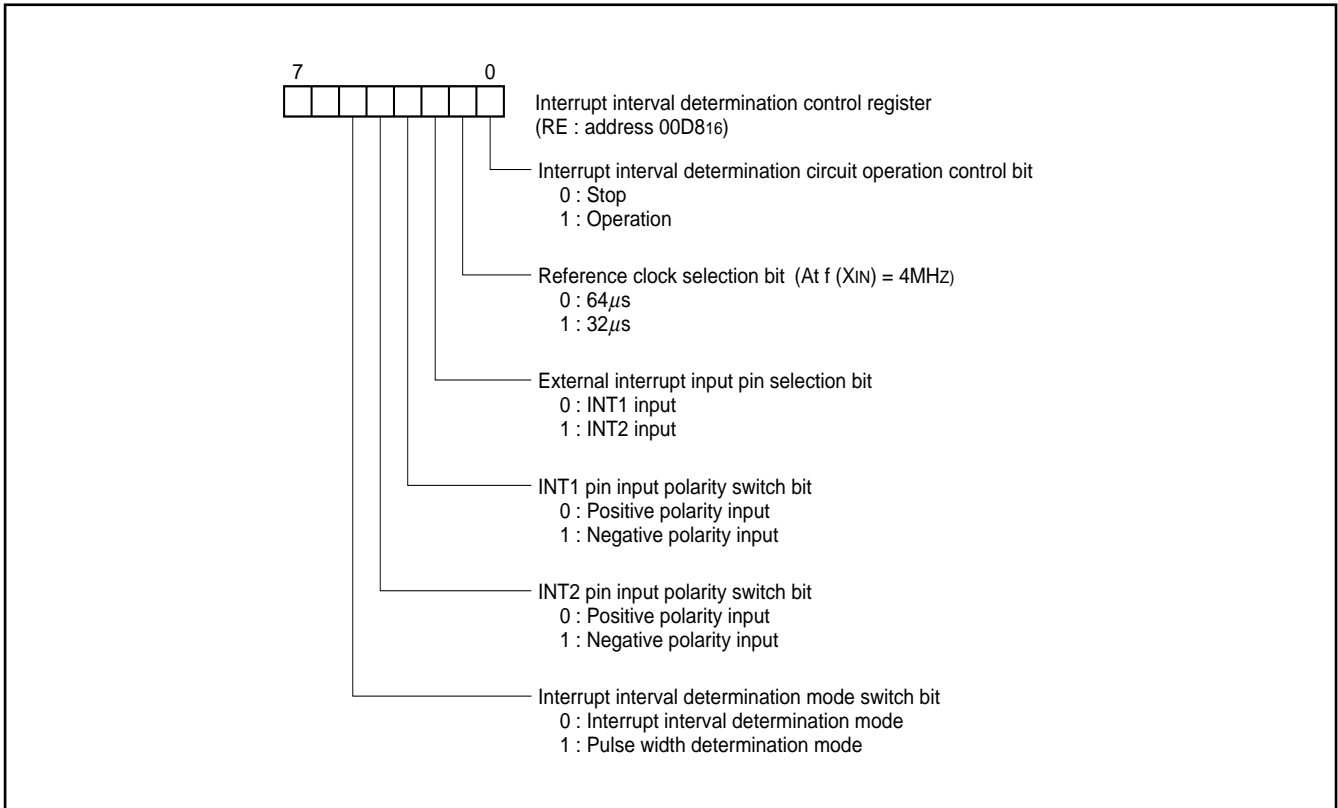


Fig. 35 Structure of interrupt space distinguish control register

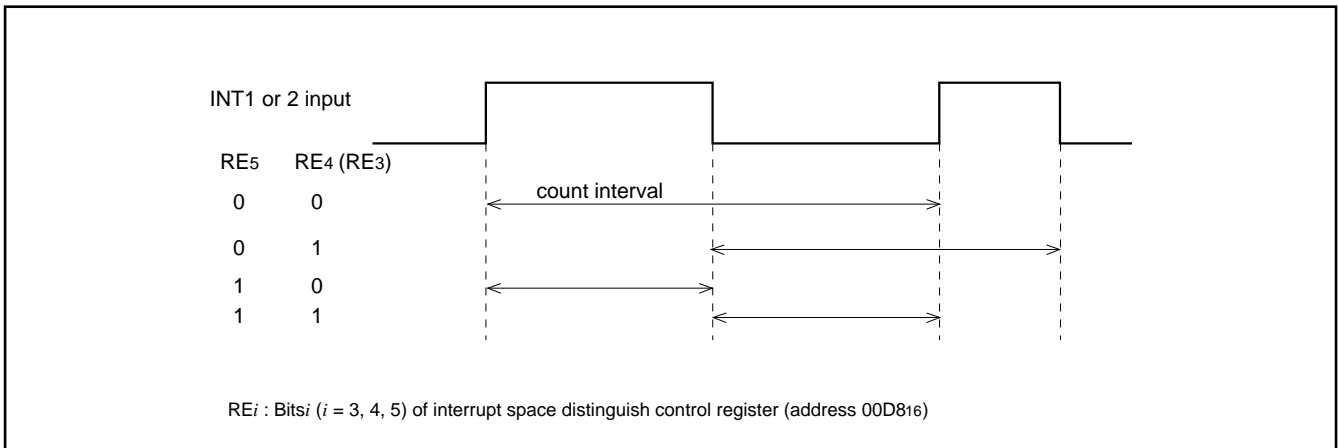


Fig. 36 Interrupt space distinguish control register setting value and the measuring interval

M37210M3-XXXSP/FP, M37210M4-XXXSP, M37211M2-XXXSP M37210E4-XXXSP/FP, M37210E4SP/FP

SINGLE-CHIP 8-BIT CMOS MICROCOMPUTER for VOLTAGE SYNTHESIZER
with ON-SCREEN DISPLAY CONTROLLER

RESET CIRCUIT

The M37210M3-XXXSP is reset according to the sequence shown in Figure 39. It starts the program from the address formed by using the content of address FFFF₁₆ as the high order address and the content of the address FFFE₁₆ as the low order address, when the $\overline{\text{RESET}}$ pin is held at "L" level for no less than 2 μs while the power voltage is 5V \pm 10% and the crystal oscillator oscillation is stable and then returned to "H" level. The internal initializations following reset are shown in Figure 37.

An example of the reset circuit is shown in Figure 38. The reset input voltage must be kept below 0.6V until the supply voltage surpasses 4.5V.

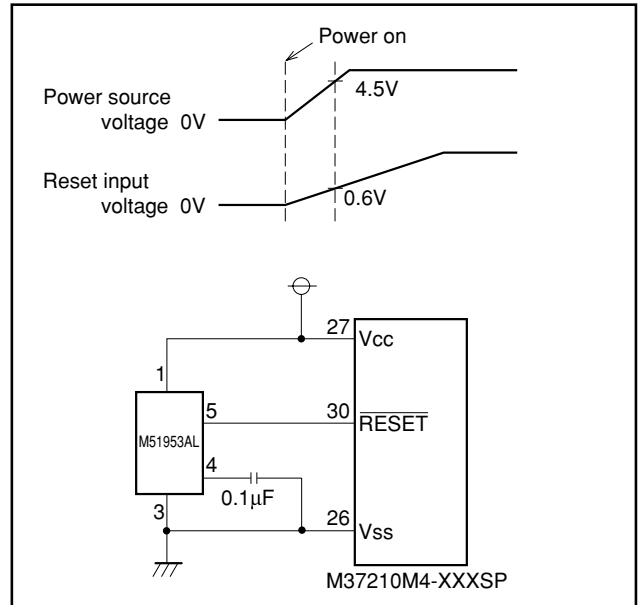


Fig. 38 Example of reset circuit

Address			
(1) Port P0 directional register	(00C1 ₁₆)...	00 ₁₆	
(2) Port P1 directional register	(00C3 ₁₆)...	00 ₁₆	
(3) Port P2 directional register	(00C5 ₁₆)...	00 ₁₆	
(4) Port P3	(00C6 ₁₆)...	XXXXXX	
(5) Port P3 directional register	(00C7 ₁₆)...	XXXXXX	00
(6) Port P4	(00C8 ₁₆)...	XXXXXX	
(7) Port P4 directional register	(00C9 ₁₆)...	XXXXXX	000
(8) Port P5	(00CA ₁₆)...	XXXXXX	
(9) Port P5 directional register	(00CB ₁₆)...	XXXXXX	0000
(10) Port P6	(00CC ₁₆)...	XXXXXX	1111
(11) Port P6 directional register	(00CD ₁₆)...	XXXXXX	1111
(12) 14DA-L register	(00CF ₁₆)...	XXXXXX	
(13) PWM0 register	(00D0 ₁₆)...	XXXXXX	
(14) PWM1 register	(00D1 ₁₆)...	XXXXXX	
(15) PWM2 register	(00D2 ₁₆)...	XXXXXX	
(16) PWM3 register	(00D3 ₁₆)...	XXXXXX	
(17) PWM4 register	(00D4 ₁₆)...	XXXXXX	
(18) PWM output control register 1	(00D5 ₁₆)...	00 ₁₆	
(19) PWM output control register 2 (Note 2)	(00D6 ₁₆)...	XXXXXX	000000
(20) Interrupt interval determination register	(00D7 ₁₆)...	00 ₁₆	
(21) Interrupt interval determination control register	(00D8 ₁₆)...	XXXXXX	000000
(22) Serial I/O mode register	(00DC ₁₆)...	XXXXXX	00000000
(23) Horizontal position register	(00E0 ₁₆)...	XXXXXX	00000000
(24) Vertical position register 1	(00E1 ₁₆)...	XXXXXX	
(25) Vertical position register 2	(00E2 ₁₆)...	XXXXXX	
(26) Character size register	(00E4 ₁₆)...	XXXXXX	
(27) Border selection register	(00E5 ₁₆)...	XXXXXX	XXXX
(28) Color register 0	(00E6 ₁₆)...	XXXXXX	000000
(29) Color register 1	(00E7 ₁₆)...	XXXXXX	000000
(30) Color register 2	(00E8 ₁₆)...	XXXXXX	000000
(31) Color register 3	(00E9 ₁₆)...	XXXXXX	000000
(32) CRT control register	(00EA ₁₆)...	XXXXXX	0000
(33) CRT port control register	(00EC ₁₆)...	0000	XXXX0000
(34) A-D mode register	(00EE ₁₆)...	XXXXXX	0000
(35) A-D control register	(00EF ₁₆)...	XXXXXX	000000
(36) Timer 1	(00F0 ₁₆)...		FF ₁₆
(37) Timer 2	(00F1 ₁₆)...		07 ₁₆
(38) Timer 3	(00F2 ₁₆)...		FF ₁₆
(39) Timer 4	(00F3 ₁₆)...		07 ₁₆
(40) Timer 12 mode register	(00F4 ₁₆)...	XXXXXX	00000000
(41) Timer 34 mode register	(00F5 ₁₆)...	XXXXXX	00000000
(42) PWM5 register	(00F6 ₁₆)...	XXXXXX	
(43) PWM6 register (Note 3)	(00F7 ₁₆)...	XXXXXX	
(44) PWM7 register (Note 3)	(00F8 ₁₆)...	XXXXXX	
(45) CPU mode register	(00FB ₁₆)...		11111110
(46) Interrupt request register 1	(00FC ₁₆)...	XXXXXX	00000000
(47) Interrupt request register 2	(00FD ₁₆)...	0XXXXX	000000
(48) Interrupt control register 1	(00FE ₁₆)...	000000	000000
(49) Interrupt control register 2	(00FF ₁₆)...	000000	
(50) Processor status register	(PS)...		1
(51) Program counter	(PCM)...	Contents of address FFFF ₁₆	
	(PCL)...	Contents of address FFFE ₁₆	

Notes 1 : Since the contents of both registers other than those listed above and the RAM are undefined at reset, it is necessary to set initial values.
"0" is read from all bits \boxtimes which is not used.
2 : The M37211M2-XXXSP is $\boxtimes\boxtimes\boxtimes\boxtimes\boxtimes\boxtimes$
3 : The M37211M2-XXXSP dose not have this register.

Fig. 37 Internal state at reset

**M37210M3-XXXSP/FP, M37210M4-XXXSP, M37211M2-XXXSP
M37210E4-XXXSP/FP, M37210E4SP/FP**

SINGLE-CHIP 8-BIT CMOS MICROCOMPUTER for VOLTAGE SYNTHESIZER
with ON-SCREEN DISPLAY CONTROLLER

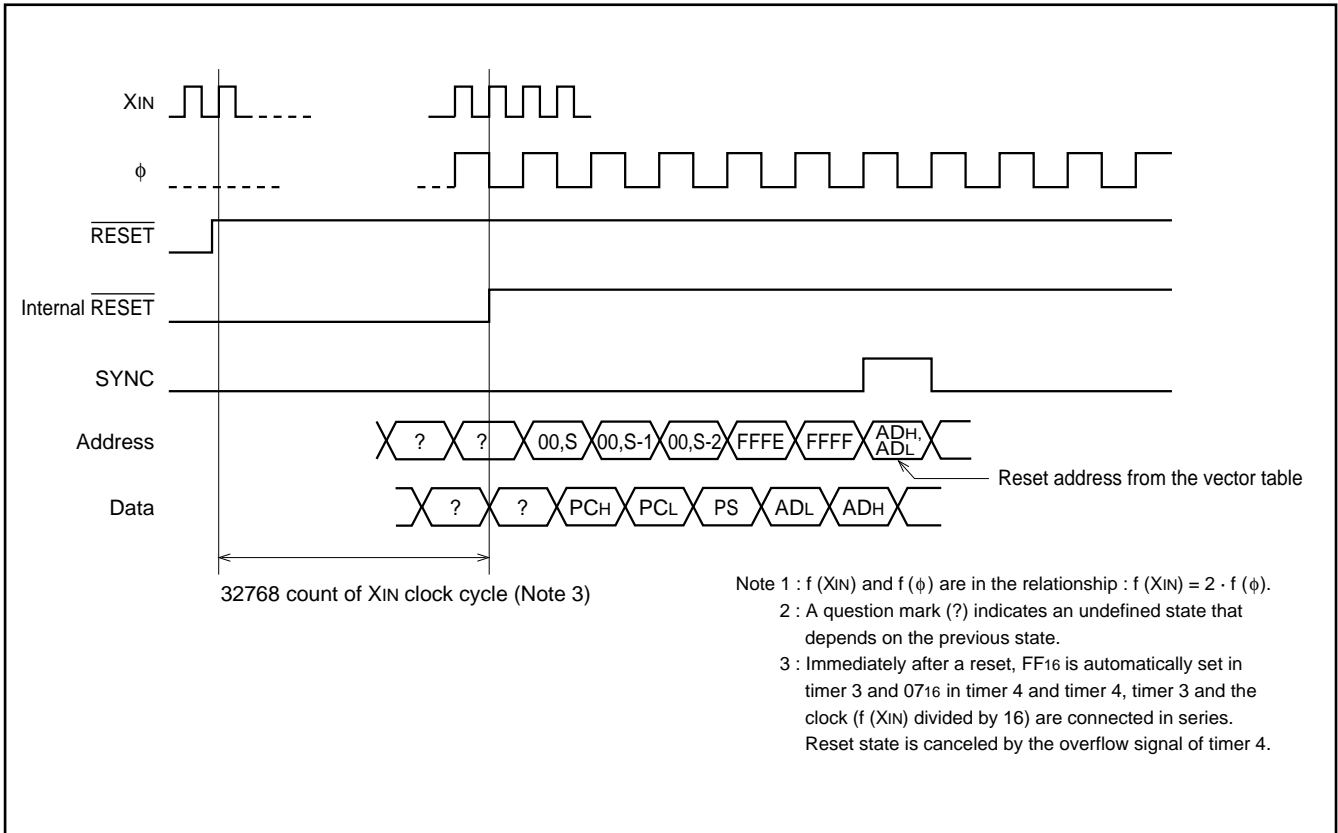


Fig. 39 Reset sequence

M37210M3-XXXSP/FP, M37210M4-XXXSP, M37211M2-XXXSP M37210E4-XXXSP/FP, M37210E4SP/FP

SINGLE-CHIP 8-BIT CMOS MICROCOMPUTER for VOLTAGE SYNTHESIZER
with ON-SCREEN DISPLAY CONTROLLER

I/O PORTS

(1) Port P0

Port P0 is an 8-bit I/O port with N-channel open-drain output. As shown in the memory map (Figure 3), port P0 can be accessed at zero page memory address 00C016. Port P0 has a directional register (address 00C116) which can be used to program each individual bit as input ("0") or as output ("1"). If the pins are programmed as output, the output data is latched to the port register and then output. When data is read from the output port the output pin level is not read, only the latched data in the port register is read. This allows a previously output value to be read correctly even though the output voltage level is shifted up or down. Pins set as input are in the floating state and the signal levels can thus be read. When data is written into the input port, the data is latched only to the port latch and the pin still remains in the floating state. Ports P00-P03 are in common with 6-bit PWM outputs PWM4-PWM7. For the M37211M2, ports P00 and P01 are in common with 6-bit PWM outputs PWM4 and PWM5.

(2) Port P1

Port P1 has basically the same function as port P0 except the output structure is CMOS output. But, pins P15-P17 are input ports and in common with analog input pins A-D1-A-D3.

(3) Port P2

Port P2 has basically the same function as port P1.

(4) Port P3

Port P3 are a 2-bit I/O port and a 4-bit input port with function similar to port P2, but the output structure of P30, P31 is CMOS output. P32, P33 are in common with the external clock input pins of timer 2 and 3. P34, P35 are in common with the external interrupt input pins INT1, INT2 and P35 with the analog input pin of A-D comparator A-D4.

(5) Port P4

Port P4 are a 2-bit I/O port and a 1-bit input port with function similar to port P2, but the output structure is N-channel open-drain output. When a serial I/O function is selected, P40-P42 are in common with pins SOUT, SCLK and SIN.

(6) OSC1, OSC2 pins

Clock input/output pins for CRT display function.

(7) HSYNC, VSYNC pins

HSYNC is a horizontal synchronizing signal input pin for CRT display. VSYNC is a vertical synchronizing signal input pin for CRT display.

(8) R, G, B, OUT pins

This is an 4-bit output pin for CRT display and in common with P52-P55.

(9) Port P6

Port P6 is an 4-bit output port with function similar to port P0, but the output structure is N-channel opendrain output. This port is in common with 6-bit PWM output pin PWM0-PWM3.

(10) D-A pin

This is a 14-bit PWM output pin.

**M37210M3-XXXSP/FP, M37210M4-XXXSP, M37211M2-XXXSP
M37210E4-XXXSP/FP, M37210E4SP/FP**

SINGLE-CHIP 8-BIT CMOS MICROCOMPUTER for VOLTAGE SYNTHESIZER
with ON-SCREEN DISPLAY CONTROLLER

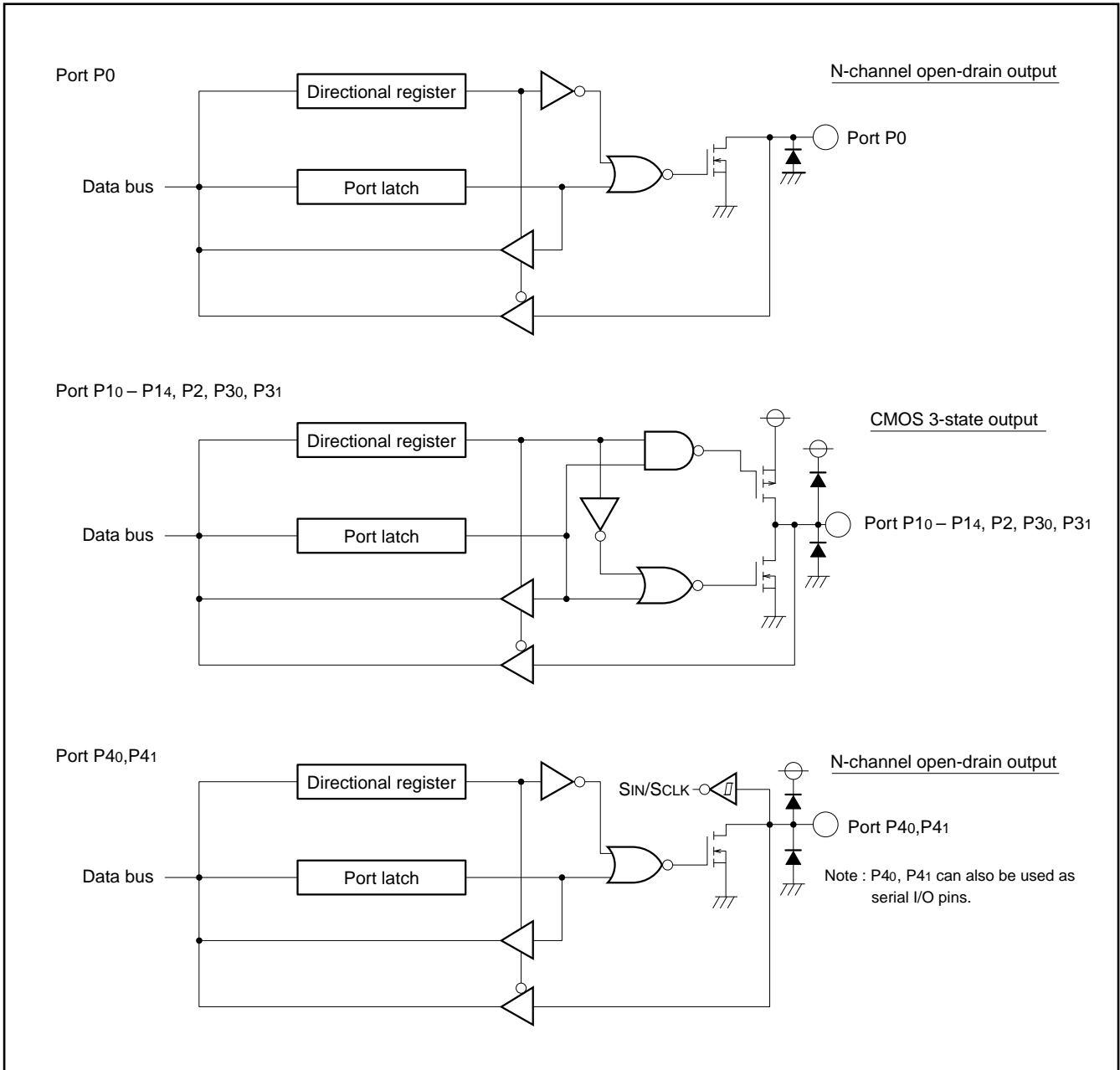


Fig. 40 I/O pin block diagram (1)

**M37210M3-XXXSP/FP, M37210M4-XXXSP, M37211M2-XXXSP
M37210E4-XXXSP/FP, M37210E4SP/FP**

SINGLE-CHIP 8-BIT CMOS MICROCOMPUTER for VOLTAGE SYNTHESIZER
with ON-SCREEN DISPLAY CONTROLLER

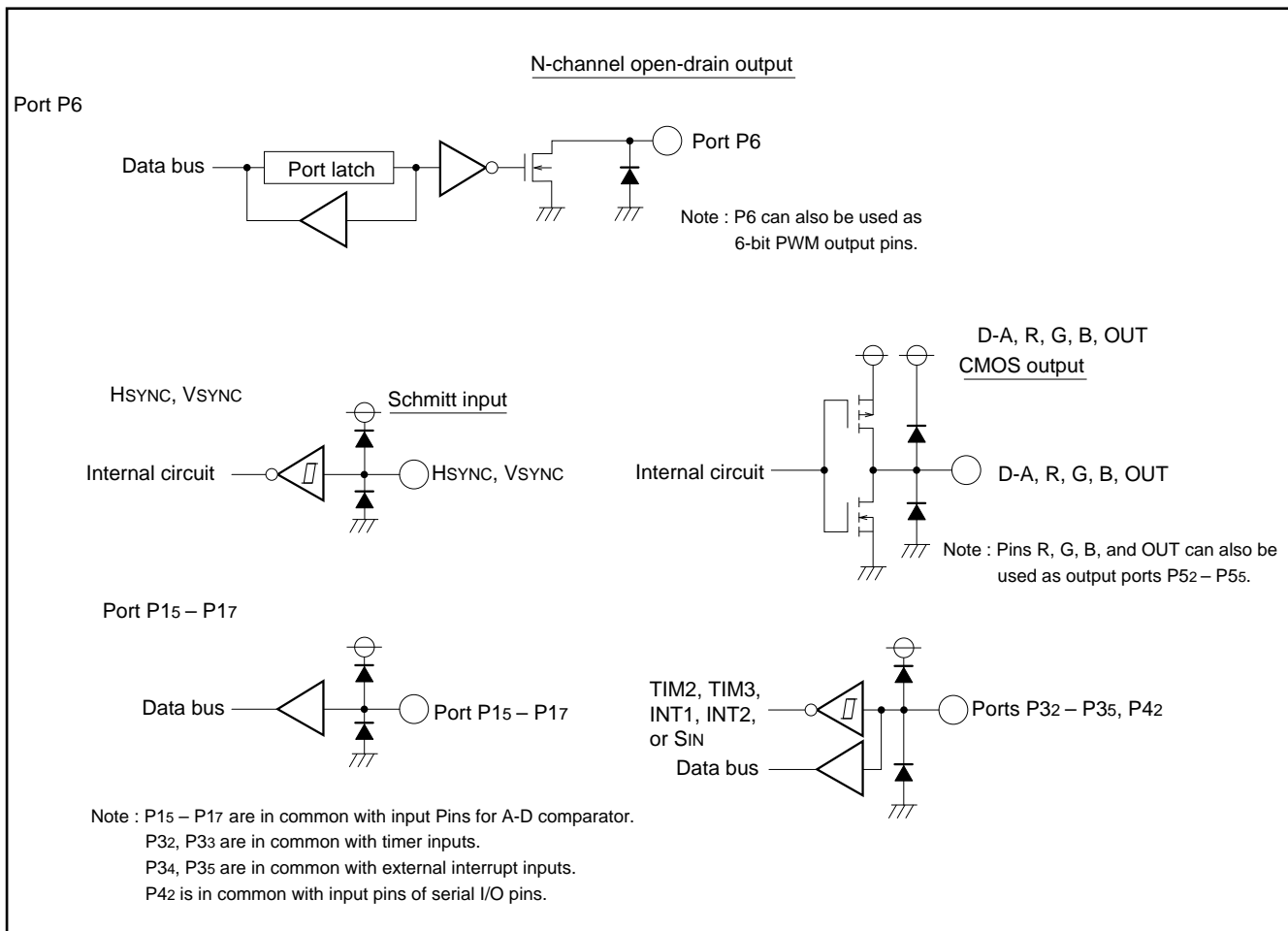


Fig. 41 I/O pin block diagram (2)

M37210M3-XXXSP/FP, M37210M4-XXXSP, M37211M2-XXXSP M37210E4-XXXSP/FP, M37210E4SP/FP

SINGLE-CHIP 8-BIT CMOS MICROCOMPUTER for VOLTAGE SYNTHESIZER
with ON-SCREEN DISPLAY CONTROLLER

CLOCK GENERATING CIRCUIT

The built-in clock generating circuit is shown in Figure 44.

When the STP instruction is executed, the internal clock ϕ stops oscillating at "H" level. At the same time, timers 3 and 4 are connected in hardware and "FF16" is set in the timer 3, "0716" is set in the timer 4. Select $f(XIN)/16$ as the timer 3 count source (set bit 0 of the timer 34 mode register to "0" before the execution of the STP instruction). And besides, set the timer 3 and timer 4 interrupt enable bits to disabled ("0") before execution of the STP instruction.

The oscillator is restarted when an external interrupt is accepted. However, the internal clock ϕ keeps its "H" level until timer 4 overflows.

This is because the oscillator needs a set-up period if a ceramic resonator or a quartz-crystal oscillator is used.

When the WIT instruction is executed, the internal clock ϕ stops in the "H" level but the oscillator continues running. This wait state is cleared when an interrupt is accepted (Note). Since the oscillation does not stop, the next instructions are executed at once.

To return from the stop or the wait state, set the interrupt enable bit to "1" before executing the STP or the WIT instruction.

Note : In the wait mode, the following interrupts are invalid.

- (1) VSYNC interrupt
- (2) CRT interrupt
- (3) Timer 2 interrupt using P32/TIM2 pin input as count source
- (4) Timer 3 interrupt using P33/TIM3 pin input as count source
- (5) Timer 4 interrupt using $f(XIN)/2$ as count source

The circuit example using a ceramic resonator (or a quartz crystal oscillator) is shown in Figure 42.

Use the circuit constants in accordance with the resonator manufacture's recommended values.

The example of external clock usage is shown in Figure 43 XIN is the input, and XOUT is open.

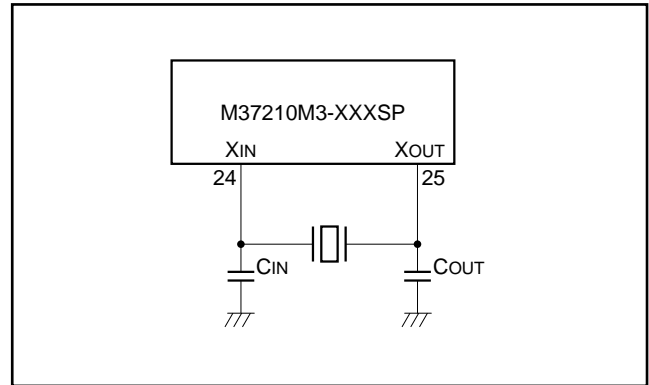


Fig. 42 Ceramic resonator circuit example

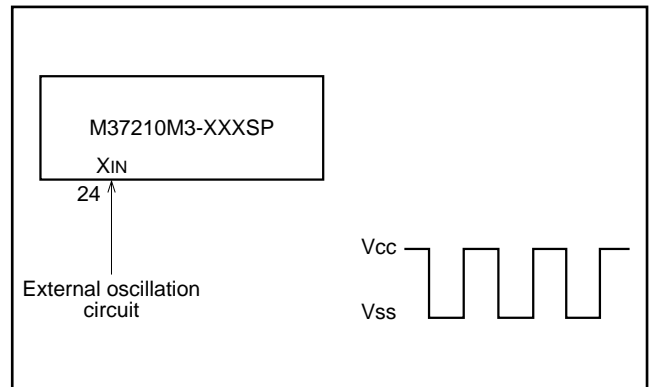


Fig. 43 External clock input circuit example

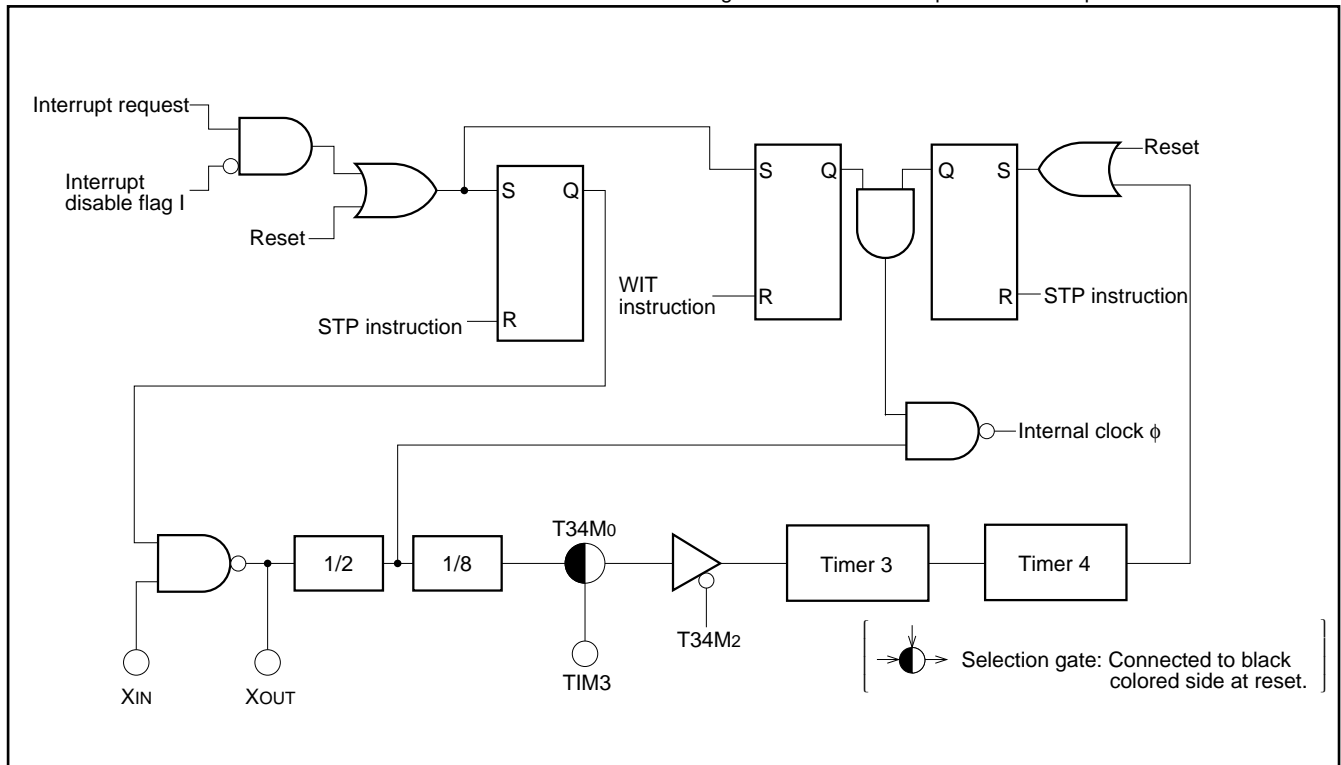


Fig. 44 Clock generating circuit block diagram

M37210M3-XXXSP/FP, M37210M4-XXXSP, M37211M2-XXXSP M37210E4-XXXSP/FP, M37210E4SP/FP

SINGLE-CHIP 8-BIT CMOS MICROCOMPUTER for VOLTAGE SYNTHESIZER
with ON-SCREEN DISPLAY CONTROLLER

PROGRAMMING NOTES

- (1) The divide ratio of the timer is $1/(n + 1)$.
- (2) Even though the BBC and BBS instructions are executed immediately after the interrupt request bits are modified (by the program), those instructions are only valid for the contents before the modification. At least one instruction cycle is needed (such as an NOP) between the modification of the interrupt request bits and the execution of the BBC and BBS instructions.
- (3) After the ADC and SBC instructions are executed (in decimal operation mode), one instruction cycle (such as an NOP) is needed before the SEC, CLC, or CLD instructions are executed.
- (4) An NOP instruction is needed immediately after the execution of a PLP instruction.
- (5) In order to avoid noise and latch-up, connect a bypass capacitor ($\approx 0.1\mu\text{F}$) directly between the Vcc pin and Vss pin using a thick wire.

DATA REQUIRED FOR MASK ORDERS

The following are necessary when ordering a mask ROM production.

- (1) Mask ROM Order Confirmation Form
- (2) Mask Specification Form
- (3) Data to be written to ROM, in EPROM form (28-pin DIP type 27256, three identical copies)

PROM Programming Method

The built-in PROM of the blank One Time PROM version and built-in EPROM version can be read or programmed with a general-purpose PROM programmer using a special programming adapter.

Product	Name of Programming Adapter
M37210E4SP	PCA4754
M37210E4FP	PCA4756

The PROM of the blank One Time PROM version is not tested or screened in the assembly process and following processes. To ensure proper operation after programming, the procedure shown in Figure 45 is recommended to verify programming.

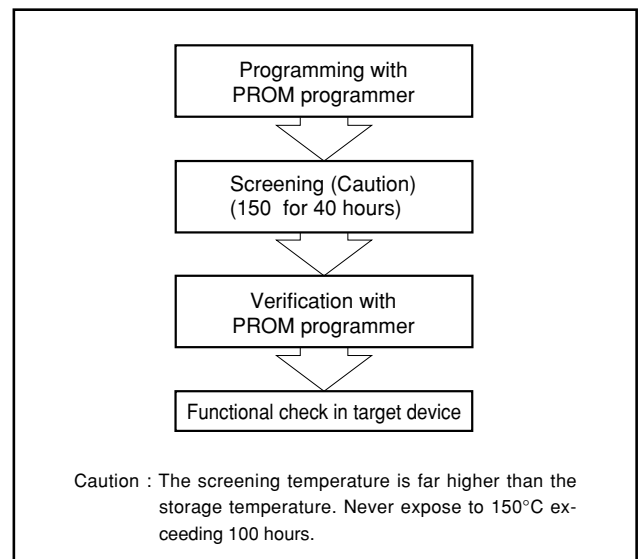


Fig. 45 Programming and testing of One Time PROM version

M37210M3-XXXSP/FP, M37210M4-XXXSP, M37211M2-XXXSP M37210E4-XXXSP/FP, M37210E4SP/FP

SINGLE-CHIP 8-BIT CMOS MICROCOMPUTER for VOLTAGE SYNTHESIZER
with ON-SCREEN DISPLAY CONTROLLER

ABSOLUTE MAXIMUM RATINGS

Symbol	Parameter	Conditions	Ratings	Unit
VCC	Power source voltage	All voltages are based on Vss. Output transistors are cut off.	- 0.3 to 6	V
Vi	Input voltage CNVss		- 0.3 to 6	V
Vi	Input voltage P00 – P07, P10 – P17, P20 – P27, P30 – P35, P40 – P42, HSYNC, VSYNC, RESET, OSC1, XIN		- 0.3 to Vcc + 0.3	V
Vo	Output voltage P10 – P14, P20 – P27, P30, P31, P40, P41, R, G, B, OUT, D-A, XOUT, OSC2		- 0.3 to Vcc + 0.3	V
VO	Output voltage P60 – P63, P00 – P07		- 0.3 to 13	V
IoH	"H" average output current R, G, B, OUT, P10 – P14, P20 – P23, P30, P31, D-A		0 to 1 (Note 1)	mA
IoL1	"L" average output current R, G, B, OUT, P10 – P14, P20 – P23, P30, P31, P40, P41 D-A		0 to 2 (Note 2)	mA
IoL2	"L" average output current P60 – P63, P00 – P07		0 to 1 (Note 2)	mA
IoL3	"L" average output current P24 – P27		0 to 10 (Note 3)	mA
Pd	Power dissipation	Ta = 25°C	550	mW
Topr	Operating temperature		- 10 to 70	°C
Tstg	Storage temperature		- 40 to 125	°C

RECOMMENDED OPERATING CONDITIONS (VCC = 5V ± 10%, Ta = -10 to 70°C unless otherwise noted)

Symbol	Parameter	Limits			Unit
		Min.	Typ.	Max.	
VCC	Power source voltage (Note 4) During the CPU and the CRT operation	4.5	5.0	5.5	V
VSS	Power source voltage	0	0	0	V
VIH	"H" input voltage P00 – P07, P10 – P17, P20 – P27, P30 – P35, P40 – P42, HSYNC, VSYNC, RESET, XIN, OSC1, TIM2, TIM3, INT1, INT2, SIN, SCLK	0.8Vcc		Vcc	V
VIL	"L" input voltage P00 – P07, P10 – P17, P20 – P27, P30 – P35, P40 – P42	0		0.4Vcc	V
VIL	"L" input voltage TIM2, TIM3, INT1, INT2, SIN, SCLK, HSYNC, VSYNC, RESET, XIN, OSC1	0		0.2Vcc	V
IOH	"H" average output current (Note 1) R, G, B, OUT, P10 – P14, P20 – P27, P30, P31, D-A			1	mA
IoL1	"L" average output current (Note 2) R, G, B, OUT, P10 – P14, P20 – P23, P30, P31, P40, P41, D-A			2	mA
IoL2	"L" average output current (Note 2) P60 – P63, P00 – P07			1	mA
IoL3	"L" average output current (Note 3) P24 – P27			10	mA
fCPU	Oscillation frequency (for CPU operation)(Note 5)	3.6	4.0	8.1	MHz
fCRT	Oscillation frequency (for CRT display)	4.0	5.0	6.0	MHz
fhs	Input frequency TIM2, TIM3, INT1, INT2			100	kHz
fhs	Input frequency SCLK			1	MHz

Notes 1 : The total current that flows out of the IC should be 20mA (max.).

2 : The total of IoL1 and IoL2 should be 30mA (max.).

3 : The total of IoL of port P24-P27 should be 20mA (max.).

4 : Connect 0.022μF or more capacitor externally between the Vcc – Vss power source pins so as to reduce power source noise.

Also connect 0.068μF or more capacitor externally between the Vcc – CNVss pins.

5 : Use a quartz-crystal oscillator or a ceramic resonator for CPU oscillation circuit.

**M37210M3-XXXSP/FP, M37210M4-XXXSP, M37211M2-XXXSP
M37210E4-XXXSP/FP, M37210E4SP/FP**

SINGLE-CHIP 8-BIT CMOS MICROCOMPUTER for VOLTAGE SYNTHESIZER
with ON-SCREEN DISPLAY CONTROLLER

ELECTRIC CHARACTERISTICS ($V_{CC} = 5V \pm 10\%$, $V_{SS} = 0V$, $T_a = -10$ to $70^\circ C$, $f(XIN) = 4MHz$ unless otherwise noted)

Symbol	Parameter	Test conditions		Limits			Unit	
				Min.	Typ.	Max.		
I _{CC}	Power source current	$V_{CC} = 5.5V$ $f(XIN) = 4MHz$	C R T	OFF	–	10	20	mA
				ON	–	20	40	
		$V_{CC} = 5.5V$ $f(XIN) = 8MHz$	C R T	OFF	–	20	40	mA
				ON	–	30	60	
	At stop mode			–	–	300	μA	
V _{OH}	"H" output voltage P10 – P14, P20 – P27, P30, P31, R, G, B, OUT, D-A	$V_{CC} = 4.5V$ $I_{OH} = -0.5mA$		2.4			V	
V _{OL}	"L" output voltage P10 – P14, P20 – P23, P30, P31, P40, P41, R, G, B, OUT, D-A	$V_{CC} = 4.5V$ $I_{OL} = 0.5mA$				0.4	V	
	"L" output voltage P60 – P63, P00 – P07	$V_{CC} = 4.5V$ $I_{OL} = 0.5mA$				0.4		
	"L" output voltage P24 – P27	$V_{CC} = 4.5V$ $I_{OL} = 10.0mA$				3.0		
V _{T+} – V _{T-}	Hysteresis \overline{RESET}	$V_{CC} = 5.0V$			0.5	0.7	V	
	Hysteresis (Note) HSYNC, VSYNC, TIM2, TIM3, INT1, INT2, SIN, SCLK	$V_{CC} = 5.0V$			0.5	1.3		
I _{IzH}	"H" input leak current \overline{RESET} , P00 – P07, P10 – P17, P20 – P27, P30 – P35, P40 – P42, HSYNC, VSYNC	$V_{CC} = 5.5V$ $V_I = 5.5V$				5	μA	
I _{IzL}	"L" input leak current \overline{RESET} , P00 – P07, P10 – P17, P20 – P27, P30 – P35, P40 – P42, P60 – P63, HSYNC, VSYNC	$V_{CC} = 5.5V$ $V_I = 0V$				5	μA	
I _{OZH}	"H" input leak current P60 – P63, P00 – P07	$V_{CC} = 5.5V$ $V_O = 12V$				10	μA	

Note : P32 – P35, have the hysteresis when these pins are used as interrupt input pins or timer input pins.
P40 – P42 have the hysteresis when these pins are used as serial I/O ports.

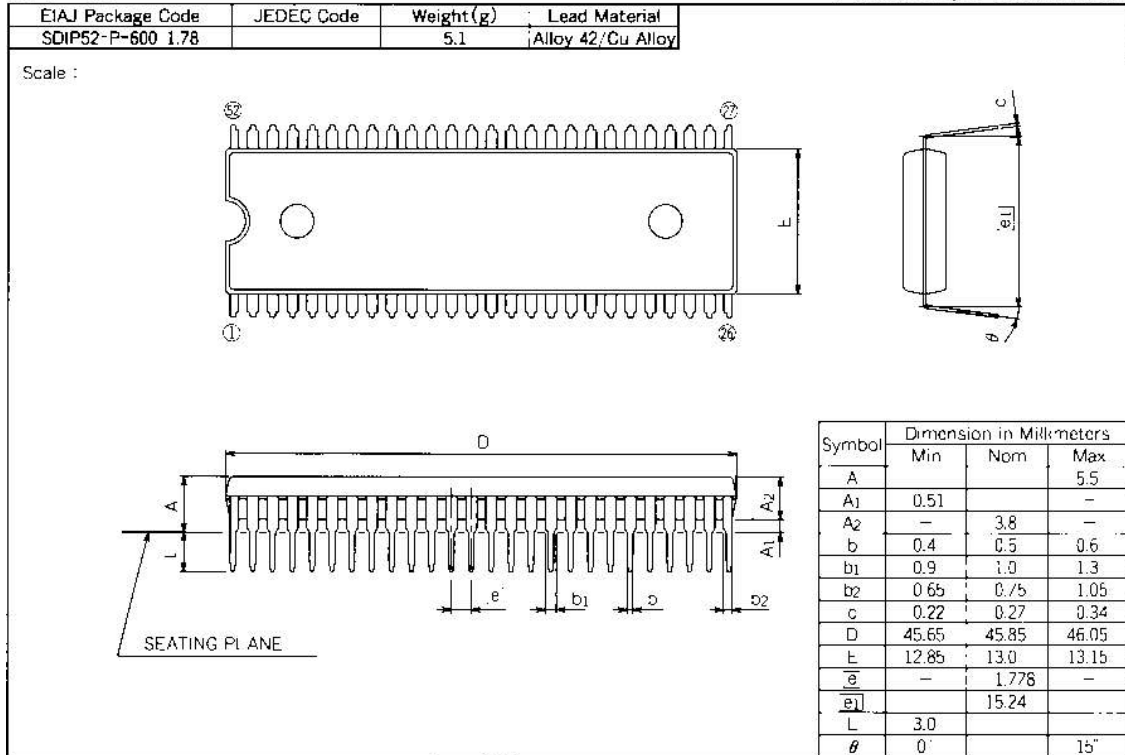
**M37210M3-XXXSP/FP, M37210M4-XXXSP, M37211M2-XXXSP
M37210E4-XXXSP/FP, M37210E4SP/FP**

SINGLE-CHIP 8-BIT CMOS MICROCOMPUTER for VOLTAGE SYNTHESIZER
with ON-SCREEN DISPLAY CONTROLLER

PACKAGE OUTLINE

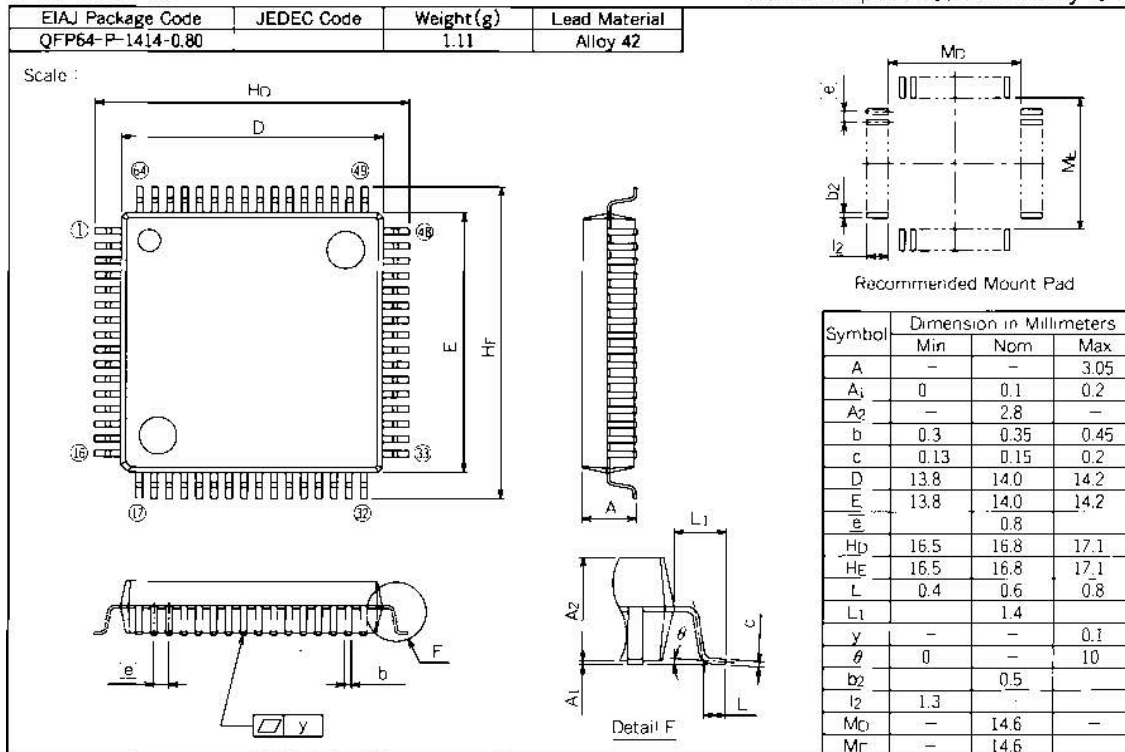
52P4B

Plastic 52pin 600mil SDIP



64P6N-A

Plastic 64pin 14 x 14mm body QFP



M37210M3-XXXSP/FP, M37210M4-XXXSP, M37211M2-XXXSP M37210E4-XXXSP/FP, M37210E4SP/FP

SINGLE-CHIP 8-BIT CMOS MICROCOMPUTER for VOLTAGE SYNTHESIZER
with ON-SCREEN DISPLAY CONTROLLER

GZZ-SH06-09B < 25C0 >

740 FAMILY MASK ROM CONFIRMATION FORM SINGLE-CHIP MICROCOMPUTER M37210M3-XXXSP/FP MITSUBISHI ELECTRIC

Mask ROM number	
-----------------	--

Receipt	Date :	
	Section head signature	Supervisor signature

Note : Please fill in all items marked *

* Customer	Company name	TEL ()	Issuance signature	Submitted by	Supervisor
	Date issued	Date :			

* 1. Confirmation

Specify the name of the product being ordered and the type of EPROMs submitted.

Three EPROMs are required for each pattern.

If at least two of the three sets of EPROMs submitted contain identical data, we will produce masks based on this data. We shall assume the responsibility for errors only if the mask ROM data on the products we produce differs from this data. Thus, extreme care must be taken to verify the data in the submitted EPROMs.

Microcomputer name : M37210M3-XXXSP M37210M3-XXXFP

Checksum code for entire EPROM

--	--	--	--

 (hexadecimal notation)

EPROM type (indicate the type used)

<input type="checkbox"/> 27256	
EPROM address	
0000 ₁₆	Product name ASCII code : 'M37210M3-'
000F ₁₆	
1000 ₁₆	Character ROM1
15FF ₁₆	
1800 ₁₆	Character ROM2
1DFF ₁₆	
5000 ₁₆	ROM (12K bytes)
7FFF ₁₆	

- (1) Set "FF₁₆" in the shaded area.
- (2) Write the ASCII codes that indicates the product name of "M37210M3-" to addresses 0000₁₆ to 000F₁₆.

* 2. Mark specification

Mark specification must be submitted using the correct form for the type package being ordered fill out the appropriate mark specification form (52P4B for M37210M3-XXXSP; 64P6N for M37210M3-XXXFP) and attach to the mask ROM confirmation form.

* 3. Comments

M37210M3-XXXSP/FP, M37210M4-XXXSP, M37211M2-XXXSP M37210E4-XXXSP/FP, M37210E4SP/FP

SINGLE-CHIP 8-BIT CMOS MICROCOMPUTER for VOLTAGE SYNTHESIZER
with ON-SCREEN DISPLAY CONTROLLER

GZZ-SH06-09B < 25C0 >

740 FAMILY MASK ROM CONFIRMATION FORM SINGLE-CHIP MICROCOMPUTER M37210M3-XXXSP/FP MITSUBISHI ELECTRIC

Writing the product name and character ROM data onto EPROMs

Addresses 0000₁₆ to 000F₁₆ store the product name, and addresses 1000₁₆ to 15FF₁₆ and addresses 1800₁₆ to 1DFF₁₆ store the character pattern.

If the name of the product contained in the EPROMs does not match the name on the mask ROM confirmation form, the ROM processing is disabled. Write the data correctly.

1. Inputting the name of the product with the ASCII code
ASCII codes 'M37210M3-' are listed on the right.
The addresses and data are in hexadecimal notation.

Address		Address	
0000 ₁₆	'M' = 4 D ₁₆	0008 ₁₆	'-' = 2 D ₁₆
0001 ₁₆	'3' = 3 3 ₁₆	0009 ₁₆	FF ₁₆
0002 ₁₆	'7' = 3 7 ₁₆	000A ₁₆	FF ₁₆
0003 ₁₆	'2' = 3 2 ₁₆	000B ₁₆	FF ₁₆
0004 ₁₆	'1' = 3 1 ₁₆	000C ₁₆	FF ₁₆
0005 ₁₆	'0' = 3 0 ₁₆	000D ₁₆	FF ₁₆
0006 ₁₆	'M' = 4 D ₁₆	000E ₁₆	FF ₁₆
0007 ₁₆	'3' = 3 3 ₁₆	000F ₁₆	FF ₁₆

2. Inputting the character ROM

Input the character ROM data by dividing it into character ROM1 and character ROM2. For the character ROM data, see the next page and on.

(2/3)

M37210M3-XXXSP/FP, M37210M4-XXXSP, M37211M2-XXXSP M37210E4-XXXSP/FP, M37210E4SP/FP

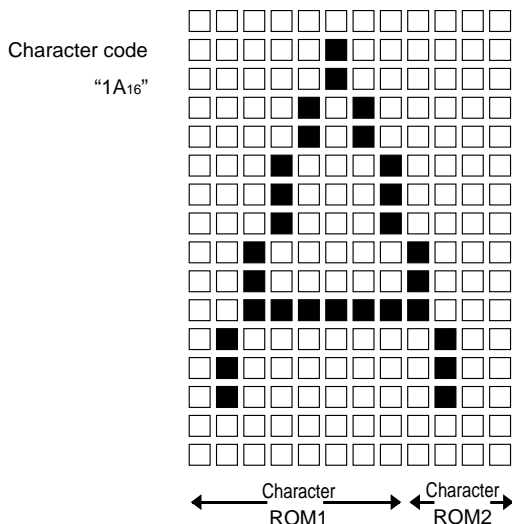
SINGLE-CHIP 8-BIT CMOS MICROCOMPUTER for VOLTAGE SYNTHESIZER
with ON-SCREEN DISPLAY CONTROLLER

GZZ-SH06-09B < 25C0 >

740 FAMILY MASK ROM CONFIRMATION FORM SINGLE-CHIP MICROCOMPUTER M37210M3-XXXSP/FP MITSUBISHI ELECTRIC

The structure of character ROM (divided of 12X16 dots font)

Example



Example

	b7	b6	b5	b4	b3	b2	b1	b0	
0									00 ₁₆
1									04 ₁₆
2									04 ₁₆
3									0A ₁₆
4									0A ₁₆
5									11 ₁₆
6									11 ₁₆
7									11 ₁₆
8									20 ₁₆
9									20 ₁₆
A									3F ₁₆
B									40 ₁₆
C									40 ₁₆
D									40 ₁₆
E									00 ₁₆
F									00 ₁₆

Example

	b7	b6	b5	b4	b3	b2	b1	b0	
0									F0 ₁₆
1									F0 ₁₆
2									F0 ₁₆
3									F0 ₁₆
4									F0 ₁₆
5									F0 ₁₆
6									F0 ₁₆
7									F0 ₁₆
8									F8 ₁₆
9									F8 ₁₆
A									F8 ₁₆
B									F4 ₁₆
C									F4 ₁₆
D									F4 ₁₆
E									F0 ₁₆
F									F0 ₁₆

M37210M3-XXXSP/FP, M37210M4-XXXSP, M37211M2-XXXSP M37210E4-XXXSP/FP, M37210E4SP/FP

SINGLE-CHIP 8-BIT CMOS MICROCOMPUTER for VOLTAGE SYNTHESIZER
with ON-SCREEN DISPLAY CONTROLLER

GZZ-SH06-10B < 25B0 >

740 FAMILY MASK ROM CONFIRMATION FORM SINGLE-CHIP MICROCOMPUTER M37210M4-XXXSP MITSUBISHI ELECTRIC

Mask ROM number	
-----------------	--

Receipt	Date :	
	Section head signature	Supervisor signature

Note : Please fill in all items marked ※.

※ Customer	Company name	TEL ()	Issuance signature	Submitted by	Supervisor
	Date issued	Date :			

※ 1. Confirmation

Specify the name of the product being ordered and the type of EPROMs submitted.
Three EPROMs are required for each pattern.
If at least two of the three sets of EPROMs submitted contain identical data, we will produce masks based on this data. We shall assume the responsibility for errors only if the mask ROM data on the products we produce differs from this data. Thus, extreme care must be taken to verify the data in the submitted EPROMs.

Checksum code for entire EPROM

--	--	--	--

 (hexadecimal notation)

EPROM type (indicate the type used)

<input type="checkbox"/> 27256																		
<table border="1" style="width: 100%; border-collapse: collapse;"> <tr> <td style="width: 20%; padding: 2px;">EPROM address</td> <td style="padding: 2px;"></td> </tr> <tr> <td style="padding: 2px;">0000₁₆</td> <td style="padding: 2px;">Product name ASCII code : M37210M4- </td> </tr> <tr> <td style="padding: 2px;">000F₁₆</td> <td style="background-color: #cccccc; padding: 2px;"></td> </tr> <tr> <td style="padding: 2px;">1000₁₆</td> <td style="padding: 2px;">Character ROM1</td> </tr> <tr> <td style="padding: 2px;">15FF₁₆</td> <td style="background-color: #cccccc; padding: 2px;"></td> </tr> <tr> <td style="padding: 2px;">1800₁₆</td> <td style="padding: 2px;">Character ROM2</td> </tr> <tr> <td style="padding: 2px;">1DFF₁₆</td> <td style="background-color: #cccccc; padding: 2px;"></td> </tr> <tr> <td style="padding: 2px;">4000₁₆</td> <td style="padding: 2px;">ROM (16K bytes)</td> </tr> <tr> <td style="padding: 2px;">7FFF₁₆</td> <td style="padding: 2px;"></td> </tr> </table>	EPROM address		0000 ₁₆	Product name ASCII code : M37210M4- 	000F ₁₆		1000 ₁₆	Character ROM1	15FF ₁₆		1800 ₁₆	Character ROM2	1DFF ₁₆		4000 ₁₆	ROM (16K bytes)	7FFF ₁₆	
EPROM address																		
0000 ₁₆	Product name ASCII code : M37210M4- 																	
000F ₁₆																		
1000 ₁₆	Character ROM1																	
15FF ₁₆																		
1800 ₁₆	Character ROM2																	
1DFF ₁₆																		
4000 ₁₆	ROM (16K bytes)																	
7FFF ₁₆																		

- (1) Set "FF₁₆" in the shaded area.
- (2) Write the ASCII codes that indicates the product name of "M37210M4-" to addresses 0000₁₆ to 000F₁₆.

※ 2. Mark specification

Mark specification must be submitted using the correct form for the type package being ordered fill out the appropriate mark specification form (52P4B for M37210M4-XXXSP) and attach to the mask ROM confirmation form.

※ 3. Comments

**M37210M3-XXXSP/FP, M37210M4-XXXSP, M37211M2-XXXSP
M37210E4-XXXSP/FP, M37210E4SP/FP**

SINGLE-CHIP 8-BIT CMOS MICROCOMPUTER for VOLTAGE SYNTHESIZER
with ON-SCREEN DISPLAY CONTROLLER

GZZ-SH06-10B < 25B0 >

**740 FAMILY MASK ROM CONFIRMATION FORM
SINGLE-CHIP MICROCOMPUTER M37210M4-XXXSP
MITSUBISHI ELECTRIC**

Writing the product name and character ROM data onto EPROMs

Addresses 0000₁₆ to 000F₁₆ store the product name, and addresses 1000₁₆ to 15FF₁₆ and addresses 1800₁₆ to 1DFF₁₆ store the character pattern.

If the name of the product contained in the EPROMs does not match the name on the mask ROM confirmation form, the ROM processing is disabled. Write the data correctly.

1. Inputting the name of the product with the ASCII code
ASCII codes 'M37210M4-' are listed on the right.
The addresses and data are in hexadecimal notation.

Address		Address	
0000 ₁₆	'M' = 4 D ₁₆	0008 ₁₆	'-' = 2 D ₁₆
0001 ₁₆	'3' = 3 3 ₁₆	0009 ₁₆	FF ₁₆
0002 ₁₆	'7' = 3 7 ₁₆	000A ₁₆	FF ₁₆
0003 ₁₆	'2' = 3 2 ₁₆	000B ₁₆	FF ₁₆
0004 ₁₆	'1' = 3 1 ₁₆	000C ₁₆	FF ₁₆
0005 ₁₆	'0' = 3 0 ₁₆	000D ₁₆	FF ₁₆
0006 ₁₆	'M' = 4 D ₁₆	000E ₁₆	FF ₁₆
0007 ₁₆	'4' = 3 4 ₁₆	000F ₁₆	FF ₁₆

2. Inputting the character ROM
Input the character ROM data by dividing it into character ROM1 and character ROM2. For the character ROM data, see the next page and on.

M37210M3-XXXSP/FP, M37210M4-XXXSP, M37211M2-XXXSP M37210E4-XXXSP/FP, M37210E4SP/FP

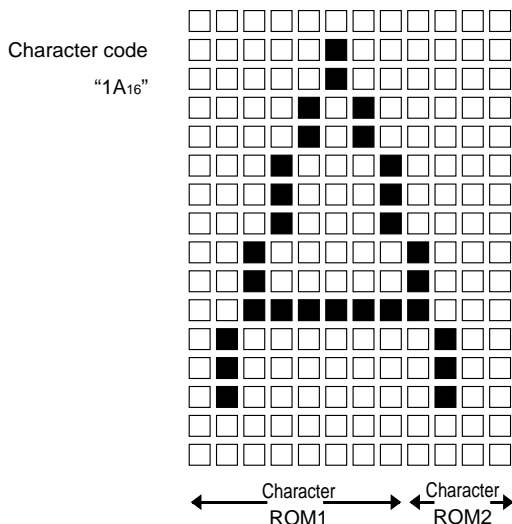
SINGLE-CHIP 8-BIT CMOS MICROCOMPUTER for VOLTAGE SYNTHESIZER
with ON-SCREEN DISPLAY CONTROLLER

GZZ-SH06-10B < 25B0 >

740 FAMILY MASK ROM CONFIRMATION FORM SINGLE-CHIP MICROCOMPUTER M37210M4-XXXSP MITSUBISHI ELECTRIC

The structure of character ROM (divided of 12X16 dots font)

Example



Example

	b7	b6	b5	b4	b3	b2	b1	b0	
0									00 ₁₆
1									04 ₁₆
2									04 ₁₆
3									0A ₁₆
4									0A ₁₆
5									11 ₁₆
6									11 ₁₆
7									11 ₁₆
8									20 ₁₆
9									20 ₁₆
A									3F ₁₆
B									40 ₁₆
C									40 ₁₆
D									40 ₁₆
E									00 ₁₆
F									00 ₁₆

Example

	b7	b6	b5	b4	b3	b2	b1	b0	
0									F0 ₁₆
1									F0 ₁₆
2									F0 ₁₆
3									F0 ₁₆
4									F0 ₁₆
5									F0 ₁₆
6									F0 ₁₆
7									F0 ₁₆
8									F8 ₁₆
9									F8 ₁₆
A									F8 ₁₆
B									F4 ₁₆
C									F4 ₁₆
D									F4 ₁₆
E									F0 ₁₆
F									F0 ₁₆

M37210M3-XXXSP/FP, M37210M4-XXXSP, M37211M2-XXXSP M37210E4-XXXSP/FP, M37210E4SP/FP

SINGLE-CHIP 8-BIT CMOS MICROCOMPUTER for VOLTAGE SYNTHESIZER
with ON-SCREEN DISPLAY CONTROLLER

GZZ-SH06-11B < 25B1 >

740 FAMILY MASK ROM CONFIRMATION FORM SINGLE-CHIP MICROCOMPUTER M37211M2-XXXSP MITSUBISHI ELECTRIC

Mask ROM number	
-----------------	--

Receipt	Date :	
	Section head signature	Supervisor signature

Note : Please fill in all items marked *.

*	Customer	Company name	TEL ()	Issuance signature	Submitted by	Supervisor
		Date issued	Date :			

* 1. Confirmation

Specify the name of the product being ordered and the type of EPROMs submitted.
Three EPROMs are required for each pattern.

If at least two of the three sets of EPROMs submitted contain identical data, we will produce masks based on this data. We shall assume the responsibility for errors only if the mask ROM data on the products we produce differs from this data. Thus, extreme care must be taken to verify the data in the submitted EPROMs.

Checksum code for entire EPROM

--	--	--	--

 (hexadecimal notation)

EPROM type (indicate the type used)

<input type="checkbox"/> 27256																		
<table border="1" style="width: 100%;"> <tr> <td colspan="2">EPROM address</td> </tr> <tr> <td style="width: 30%;">0000₁₆</td> <td>Product name ASCII code : 'M37211M2-'</td> </tr> <tr> <td>000F₁₆</td> <td style="background-color: #cccccc;"></td> </tr> <tr> <td>1000₁₆</td> <td>Character ROM1</td> </tr> <tr> <td>15FF₁₆</td> <td style="background-color: #cccccc;"></td> </tr> <tr> <td>1800₁₆</td> <td>Character ROM2</td> </tr> <tr> <td>1DFF₁₆</td> <td style="background-color: #cccccc;"></td> </tr> <tr> <td>6000₁₆</td> <td>ROM (8K bytes)</td> </tr> <tr> <td>7FFF₁₆</td> <td></td> </tr> </table>	EPROM address		0000 ₁₆	Product name ASCII code : 'M37211M2-'	000F ₁₆		1000 ₁₆	Character ROM1	15FF ₁₆		1800 ₁₆	Character ROM2	1DFF ₁₆		6000 ₁₆	ROM (8K bytes)	7FFF ₁₆	
EPROM address																		
0000 ₁₆	Product name ASCII code : 'M37211M2-'																	
000F ₁₆																		
1000 ₁₆	Character ROM1																	
15FF ₁₆																		
1800 ₁₆	Character ROM2																	
1DFF ₁₆																		
6000 ₁₆	ROM (8K bytes)																	
7FFF ₁₆																		

- (1) Set "FF₁₆" in the shaded area.
- (2) Write the ASCII codes that indicates the product name of "M37211M2-" to addresses 0000₁₆ to 000F₁₆.

* 2. Mark specification

Mark specification must be submitted using the correct form for the type package being ordered fill out the appropriate mark specification form (52P4B for M37211M2-XXXSP) and attach to the mask ROM confirmation form.

* 3. Note

- (1) Set the stack page selection bit to "0", because this bit is set to "1" after reset but the internal RAM is located at 0 page only.
- (2) Both P0₂ pin (9th pin) and P0₃ pin (10th pin) are not used as PWM output pins.

* 4. Comments

**M37210M3-XXXSP/FP, M37210M4-XXXSP, M37211M2-XXXSP
M37210E4-XXXSP/FP, M37210E4SP/FP**

SINGLE-CHIP 8-BIT CMOS MICROCOMPUTER for VOLTAGE SYNTHESIZER
with ON-SCREEN DISPLAY CONTROLLER

GZZ-SH06-11B<25B1 >

**740 FAMILY MASK ROM CONFIRMATION FORM
SINGLE-CHIP MICROCOMPUTER M37211M2-XXXSP
MITSUBISHI ELECTRIC**

Writing the product name and character ROM data onto EPROMs

Addresses 0000₁₆ to 000F₁₆ store the product name, and addresses 1000₁₆ to 15FF₁₆ and addresses 1800₁₆ to 1DFF₁₆ store the character pattern.

If the name of the product contained in the EPROMs does not match the name on the mask ROM confirmation form, the ROM processing is disabled. Write the data correctly.

1. Inputting the name of the product with the ASCII code
ASCII codes 'M37211M2-' are listed on the right.
The addresses and data are in hexadecimal notation.

Address		Address	
0000 ₁₆	'M' = 4 D ₁₆	0008 ₁₆	'-' = 2 D ₁₆
0001 ₁₆	'3' = 3 3 ₁₆	0009 ₁₆	FF ₁₆
0002 ₁₆	'7' = 3 7 ₁₆	000A ₁₆	FF ₁₆
0003 ₁₆	'2' = 3 2 ₁₆	000B ₁₆	FF ₁₆
0004 ₁₆	'1' = 3 1 ₁₆	000C ₁₆	FF ₁₆
0005 ₁₆	'1' = 3 1 ₁₆	000D ₁₆	FF ₁₆
0006 ₁₆	'M' = 4 D ₁₆	000E ₁₆	FF ₁₆
0007 ₁₆	'2' = 3 2 ₁₆	000F ₁₆	FF ₁₆

2. Inputting the character ROM
Input the character ROM data by dividing it into character ROM1 and character ROM2. For the character ROM data, see the next page and on.

M37210M3-XXXSP/FP, M37210M4-XXXSP, M37211M2-XXXSP M37210E4-XXXSP/FP, M37210E4SP/FP

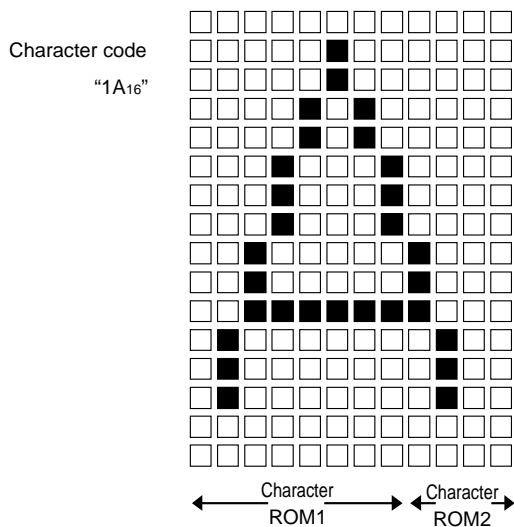
SINGLE-CHIP 8-BIT CMOS MICROCOMPUTER for VOLTAGE SYNTHESIZER
with ON-SCREEN DISPLAY CONTROLLER

GZZ-SH06-11B < 25B1 >

740 FAMILY MASK ROM CONFIRMATION FORM SINGLE-CHIP MICROCOMPUTER M37211M2-XXXSP MITSUBISHI ELECTRIC

The structure of character ROM (divided of 12 X16 dots font)

Example



Example 11A0₁₆ to 11AF₁₆

	b7	b6	b5	b4	b3	b2	b1	b0	
0									00 ₁₆
1									04 ₁₆
2									04 ₁₆
3									0A ₁₆
4									0A ₁₆
5									11 ₁₆
6									11 ₁₆
7									11 ₁₆
8									20 ₁₆
9									20 ₁₆
A									3F ₁₆
B									40 ₁₆
C									40 ₁₆
D									40 ₁₆
E									00 ₁₆
F									00 ₁₆

Example 19A0₁₆ to 19AF₁₆

	b7	b6	b5	b4	b3	b2	b1	b0	
0									F0 ₁₆
1									F0 ₁₆
2									F0 ₁₆
3									F0 ₁₆
4									F0 ₁₆
5									F0 ₁₆
6									F0 ₁₆
7									F0 ₁₆
8									F8 ₁₆
9									F8 ₁₆
A									F8 ₁₆
B									F4 ₁₆
C									F4 ₁₆
D									F4 ₁₆
E									F0 ₁₆
F									F0 ₁₆

M37210M3-XXXSP/FP, M37210M4-XXXSP, M37211M2-XXXSP M37210E4-XXXSP/FP, M37210E4SP/FP

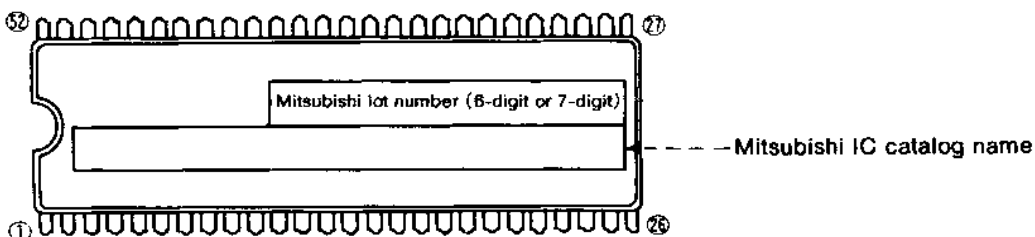
SINGLE-CHIP 8-BIT CMOS MICROCOMPUTER for VOLTAGE SYNTHESIZER
with ON-SCREEN DISPLAY CONTROLLER

52P4B (52-PIN SHRINK DIP) MARK SPECIFICATION FORM

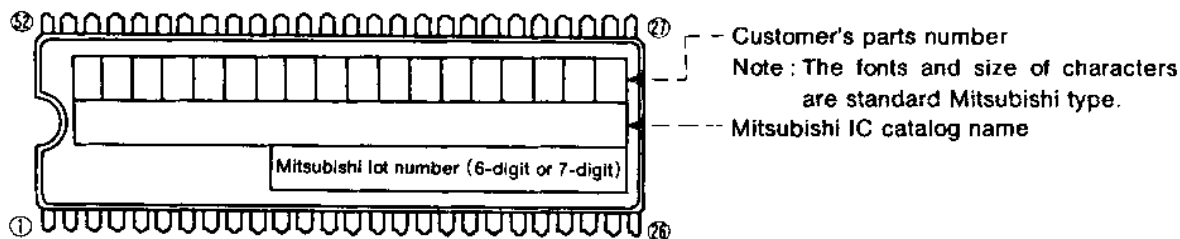
Mitsubishi IC catalog name

Please choose one of the marking types below (A, B, C), and enter the Mitsubishi IC catalog name and the special mark (if needed).

A. Standard Mitsubishi Mark



B. Customer's Parts Number + Mitsubishi Catalog Name



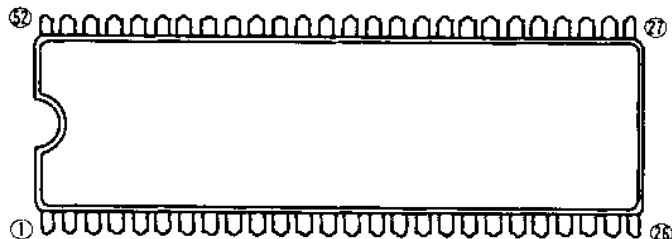
Note1: The mark field should be written right aligned.

2: The fonts and size of characters are standard Mitsubishi type.

3: Customer's parts number can be up to 18 characters:

Only 0~9, A~Z, +, -, /, (,), &, ©, . (period), and , (comma) are usable.

C. Special Mark Required



Note1: If the special mark is to be printed, indicate the desired layout of the mark in the upper figure. The layout will be duplicated as close as possible. Mitsubishi lot number (6-digit or 7-digit) and mask ROM number (3-digit) are always marked.

2: If the customer's trade mark logo must be used in the special mark, check the box below. Please submit a clean original of the logo.

For the new special character fonts a clean font original (ideally logo drawing) must be submitted.

Special logo required

The standard Mitsubishi font is used for all characters except for a logo.

M37210M3-XXXSP/FP, M37210M4-XXXSP, M37211M2-XXXSP M37210E4-XXXSP/FP, M37210E4SP/FP

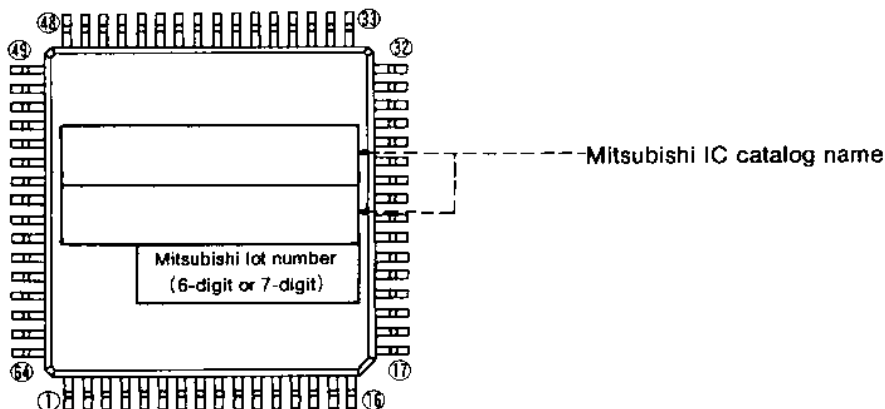
SINGLE-CHIP 8-BIT CMOS MICROCOMPUTER for VOLTAGE SYNTHESIZER
with ON-SCREEN DISPLAY CONTROLLER

64P6N-A (64-PIN QFP) MARK SPECIFICATION FORM

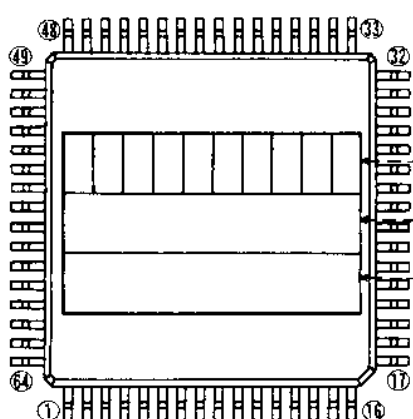
Mitsubishi IC catalog name

Please choose one of the marking types below (A, B, C), and enter the Mitsubishi IC catalog name and the special mark (if needed).

A. Standard Mitsubishi Mark



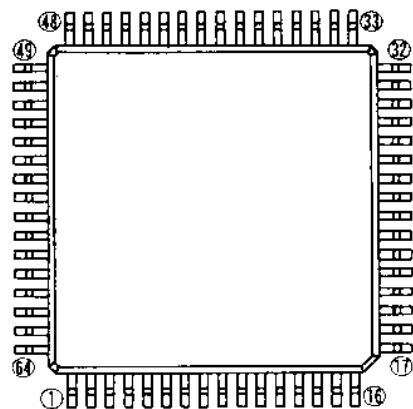
B. Customer's Parts Number + Mitsubishi Catalog Name



Customer's parts number
 Note: The fonts and size of characters are standard Mitsubishi type.
 Mitsubishi IC catalog name
 Note3: Customer's parts number can be up to 10 characters:
 Only 0~9, A~Z, +, -, /, (,), &, ©, . (period), and , (comma) are usable.

Note1: The mark field should be written right aligned.
 Note2: The fonts and size of characters are standard Mitsubishi type. (The character size became smaller than A (standard Mitsubishi mark) type)

C. Special Mark Required



Note1: If the special mark is to be printed, indicate the desired layout of the mark in the left figure. The layout will be duplicated as close as possible. Mitsubishi lot number (6-digit or 7-digit) and mask ROM number (3-digit) are always marked.
 Note2: If the customer's trade mark logo must be used in the special mark, check the box below. Please submit a clean original of the logo. For the new special character fonts a clean font original (ideally logo drawing) must be submitted.

Special logo required

The standard Mitsubishi font is used for all characters except for a logo.

mitsubishi data book
SINGLE-CHIP 8-BIT MICROCOMPUTERS Vol.3

Sep. First Edition 1996 H-DF319-B

Edited by
Committee of editing of Mitsubishi Semiconductor Data Book

Published by
Mitsubishi Electric Corp., Semiconductor Division

This book, or parts thereof, may not be reproduced in any form without permission of Mitsubishi Electric Corporation.

REVISION DESCRIPTION LIST

M37210M3-XXXSP/FP, M37210M4-XXXSP, M37211M2-XXXSP,
M37210E4-XXXSP/FP, M37210E4SP/FP DATA SHEET

Rev. No.	Revision Description	Rev. date
1.0	First Edition	9708
2.0	Information about copyright note, revision number, release date added (last page).	971130