

R1RP0408DI Series

Wide Temperature Range Version
4M High Speed SRAM (512-kword × 8-bit)

R10DS0289EJ0100

Rev.1.00

Nov.18.19

Description

The R1RP0408DI is a 4-Mbit high speed static RAM organized 512-kword × 8-bit. It has realized high speed access time by employing CMOS process (6-transistor memory cell) and high speed circuit designing technology. It is most appropriate for the application which requires high speed, high density memory and wide bit width configuration, such as cache and buffer memory in system. The R1RP0408DI is packaged in 400-mil 36-pin SOJ for high density surface mounting.

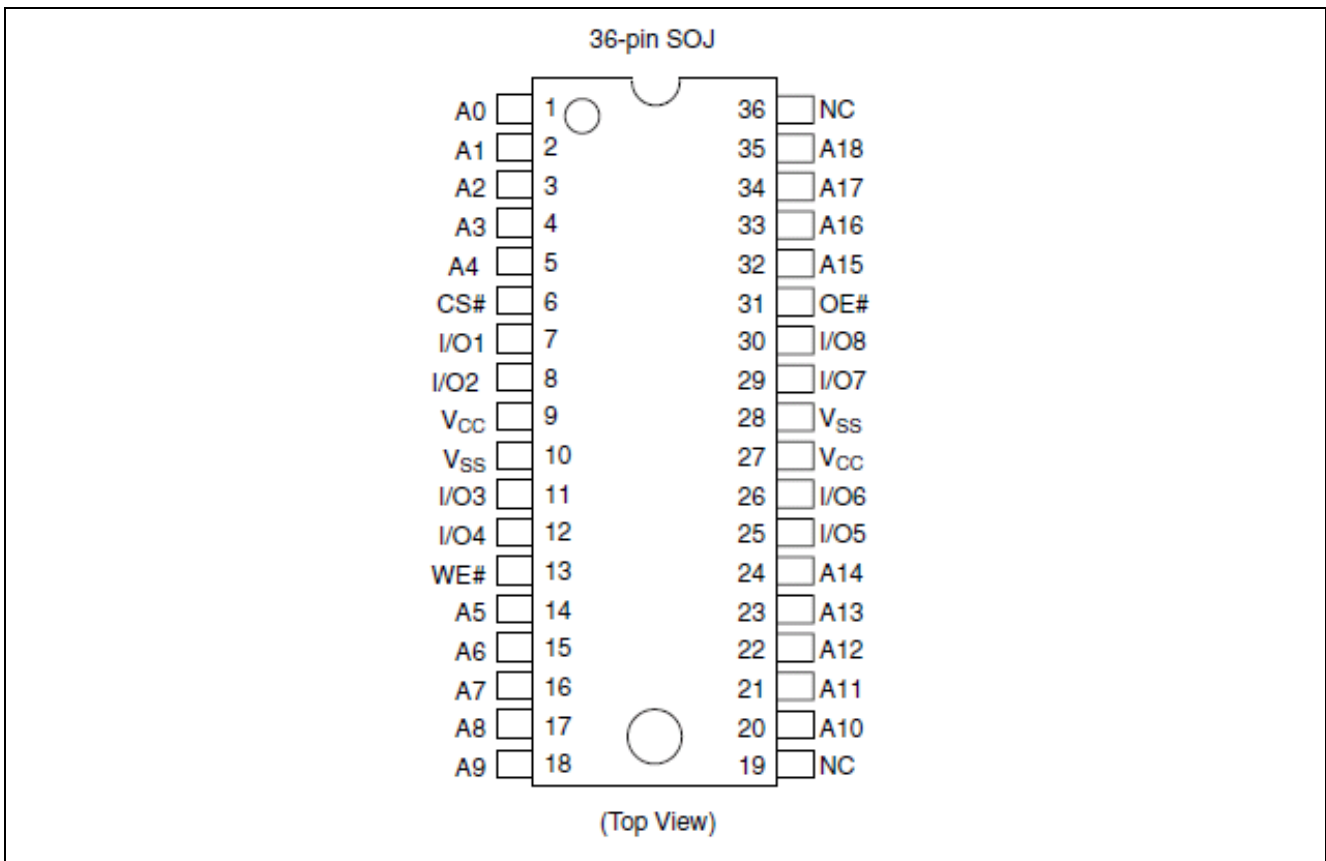
Features

- Single 5.0V supply: 5.0V ± 10%
- Access time: 12ns (max)
- Completely static memory
 - No clock or timing strobe required
- Equal access and cycle times
- Directly TTL compatible
 - All inputs and outputs
- Operating current: 130mA (max)
- TTL standby current: 40mA (max)
- CMOS standby current : 5mA (max)
- Center V_{CC} and V_{SS} type pin out
- Temperature range: -40 to +85°C

Ordering Information

Type No.	Access time	Package
R1RP0408DGE-2PI	12ns	400-mil 36-pin plastic SOJ

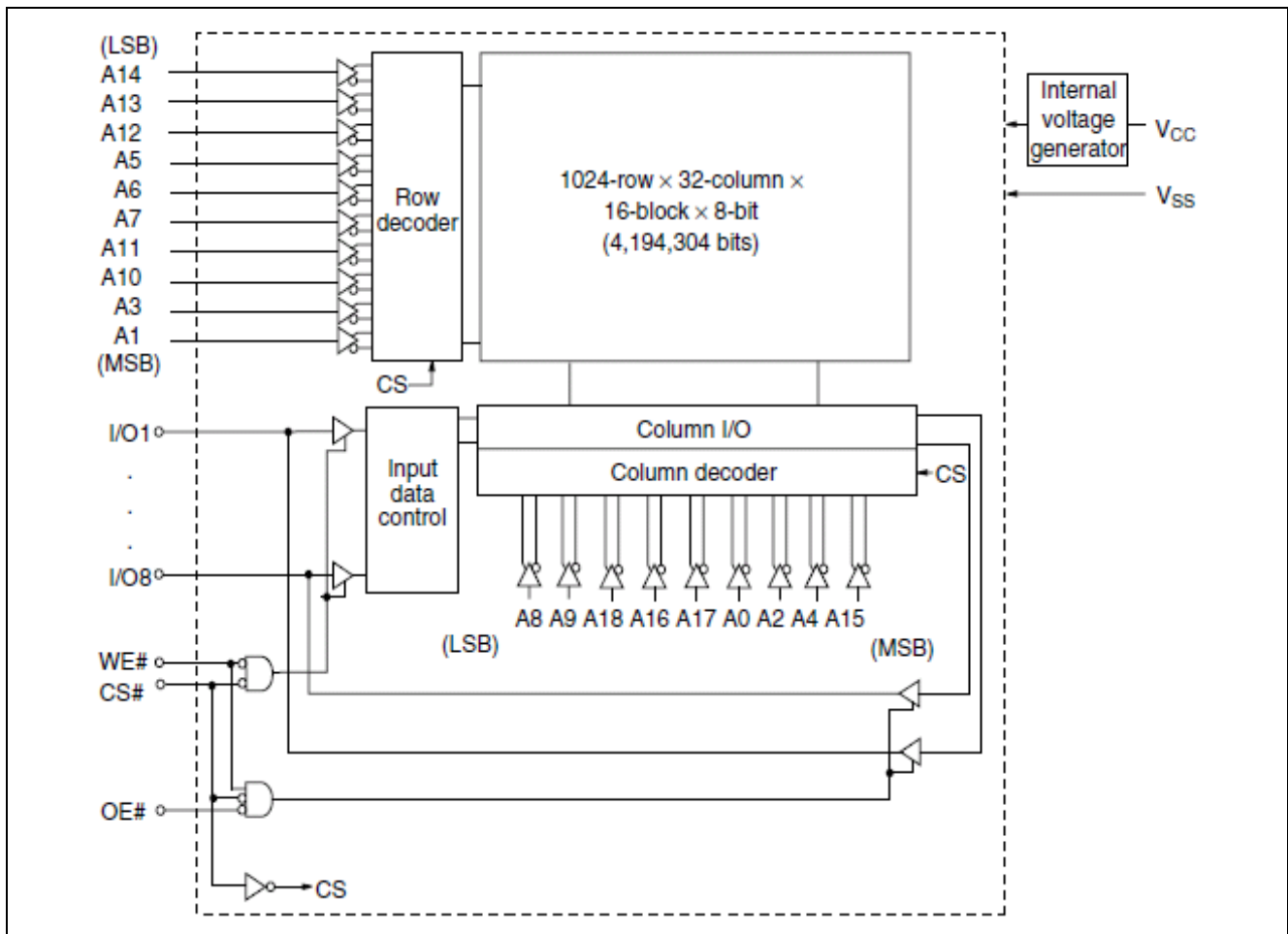
Pin Arrangement



Pin Description

Pin name	Function
A0 to A18	Address input
I/O1 to I/O8	Data input/output
CS#	Chip select
OE#	Output enable
WE#	Write enable
V _{CC}	Power supply
V _{SS}	Ground
NC	No connection

Block Diagram



Operation Table

CS#	OE#	WE#	Mode	V _{CC} current	I/O	Ref. cycle
H	×	×	Standby	I _{SB} , I _{SB1}	High-Z	—
L	H	H	Output disable	I _{CC}	High-Z	—
L	L	H	Read	I _{CC}	D _{OUT}	Read cycle (1) to (3)
L	H	L	Write	I _{CC}	D _{IN}	Write cycle (1)
L	L	L	Write	I _{CC}	D _{IN}	Write cycle (2)

Note: H: V_{IH}, L: V_{IL}, ×: V_{IH} or V_{IL}

Absolute Maximum Ratings

Parameter	Symbol	Value	Unit
Supply voltage relative to V _{SS}	V _{CC}	-0.5 to +7.0	V
Voltage on any pin relative to V _{SS}	V _T	-0.5* ¹ to V _{CC} + 0.5* ²	V
Power dissipation	P _T	1.0	W
Operating temperature	Topr	-40 to +85	°C
Storage temperature	Tstg	-55 to +125	°C
Storage temperature under bias	Tbias	-40 to +85	°C

Notes: 1. V_T (min) = -2.0V for pulse width (under shoot) ≤ 6ns.

2. V_T (max) = V_{CC} + 2.0V for pulse width (over shoot) ≤ 6ns.

Recommended DC Operating Conditions

(T_a = -40 to +85°C)

Parameter	Symbol	Min	Typ	Max	Unit
Supply voltage	V _{CC} * ³	4.5	5.0	5.5	V
	V _{SS} * ⁴	0	0	0	V
Input voltage	V _{IH}	2.0	—	V _{CC} + 0.5* ²	V
	V _{IL}	-0.5* ¹	—	0.8	V

Notes: 1. V_{IL} (min) = -2.0V for pulse width (under shoot) ≤ 6ns.

2. V_{IH} (max) = V_{CC} + 2.0V for pulse width (over shoot) ≤ 6ns.

3. The supply voltage with all V_{CC} pins must be on the same level.

4. The supply voltage with all V_{SS} pins must be on the same level.

DC Characteristics(Ta = -40 to +85°C, V_{CC} = 5.0V ± 10%, V_{SS} = 0V)

Parameter	Symbol	Min	Max	Unit	Test conditions
Input leakage current	I _{LI}	—	2	μA	V _{IN} = V _{SS} to V _{CC}
Output leakage current	I _{LO}	—	2	μA	V _{IN} = V _{SS} to V _{CC}
Operating power supply current	I _{CC}	—	130	mA	Min cycle CS# = V _{IL} , I _{OUT} = 0mA Other inputs = V _{IH} /V _{IL}
Standby power supply current	I _{SB}	—	40	mA	Min cycle, CS# = V _{IH} , Other inputs = V _{IH} /V _{IL}
	I _{SB1}	—	5	mA	f = 0MHz V _{CC} ≥ CS# ≥ V _{CC} - 0.2V, (1) 0V ≤ V _{IN} ≤ 0.2V or (2) V _{CC} ≥ V _{IN} ≥ V _{CC} - 0.2V
Output voltage	V _{OL}	—	0.4	V	I _{OL} = 8mA
	V _{OH}	2.4	—	V	I _{OH} = -4mA

Capacitance

(Ta = +25°C, f = 1.0MHz)

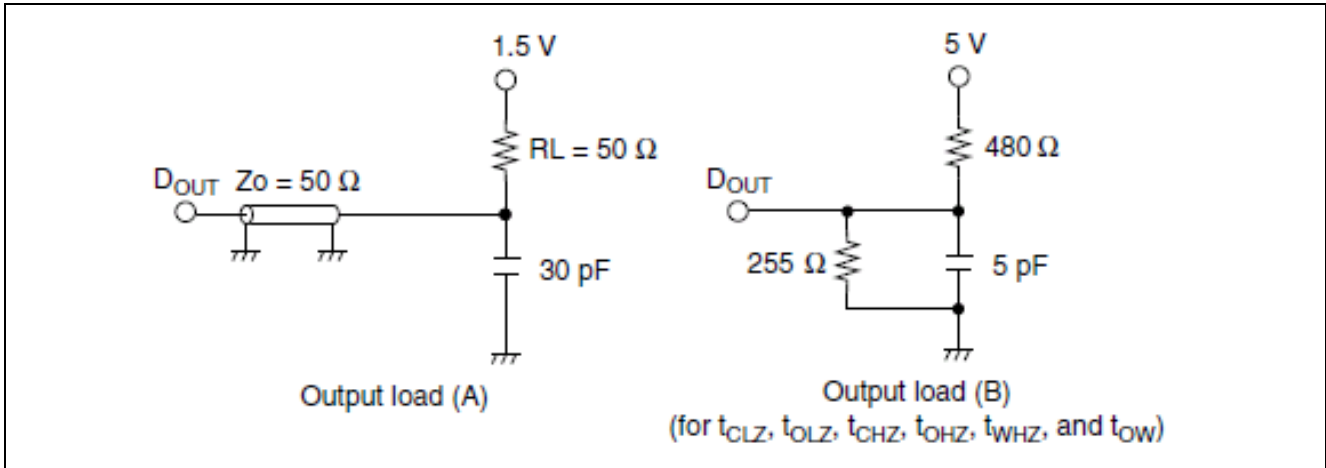
Parameter	Symbol	Min	Max	Unit	Test conditions
Input capacitance*1	C _{IN}	—	6	pF	V _{IN} = 0V
Input/output capacitance*1	C _{I/O}	—	8	pF	V _{I/O} = 0V

Note: 1. This parameter is sampled and not 100% tested.

AC Characteristics

Test Conditions ($T_a = -40$ to $+85^\circ\text{C}$, $V_{CC} = 5.0\text{V} \pm 10\%$, unless otherwise noted.)

- Input pulse levels: 3.0V/0.0V
- Input rise and fall time: 3ns
- Input and output timing reference levels: 1.5V
- Output load: See figures (Including scope and jig)



Read Cycle

Parameter	Symbol	R1RP0408DI		Unit	Notes
		Min	Max		
Read cycle time	t_{RC}	12	—	ns	
Address access time	t_{AA}	—	12	ns	
Chip select access time	t_{ACS}	—	12	ns	
Output enable to output valid	t_{OE}	—	6	ns	
Output hold from address change	t_{OH}	3	—	ns	
Chip select to output in low-Z	t_{CLZ}	3	—	ns	1
Output enable to output in low-Z	t_{OLZ}	0	—	ns	1
Chip deselect to output in high-Z	t_{CHZ}	—	6	ns	1
Output disable to output in high-Z	t_{OHZ}	—	6	ns	1

Write Cycle

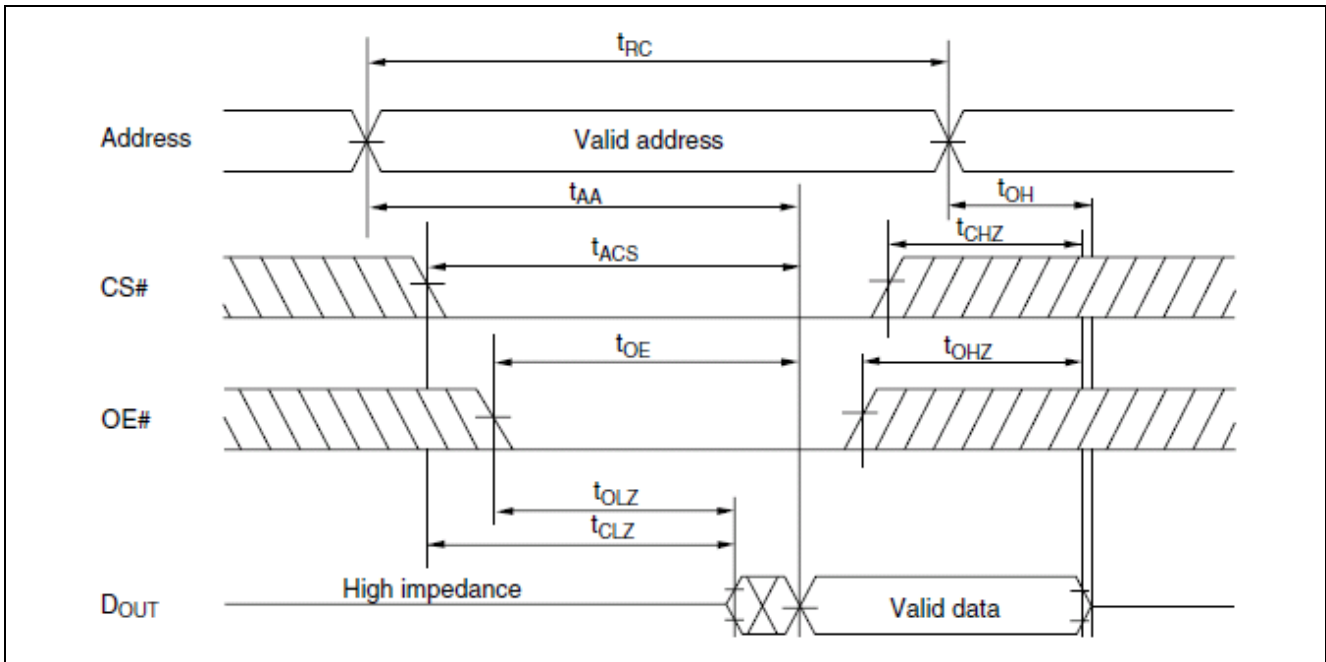
Parameter	Symbol	R1RP0408DI		Unit	Notes
		Min	Max		
Write cycle time	t _{WC}	12	—	ns	
Address valid to end of write	t _{AW}	8	—	ns	
Chip select to end of write	t _{CW}	8	—	ns	9
Write pulse width	t _{WP}	8	—	ns	8
Address setup time	t _{AS}	0	—	ns	6
Write recovery time	t _{WR}	0	—	ns	7
Data to write time overlap	t _{DW}	6	—	ns	
Data hold from write time	t _{DH}	0	—	ns	
Write disable to output in low-Z	t _{OW}	3	—	ns	1
Output disable to output in high-Z	t _{OZH}	—	6	ns	1
Write enable to output in high-Z	t _{WHZ}	—	6	ns	1

Notes: 1. Transition is measured $\pm 200\text{mV}$ from steady voltage with output load (B). This parameter is sampled and not 100% tested.

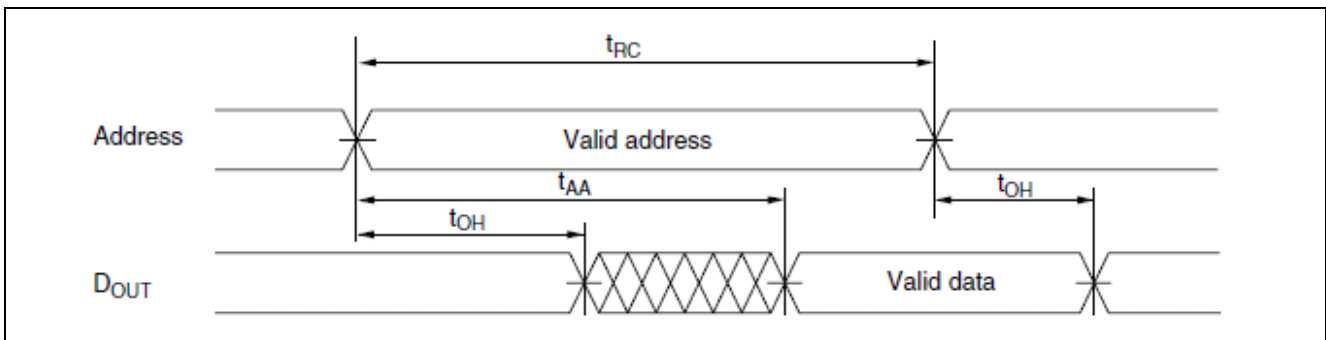
2. Address should be valid prior to or coincident with CS# transition low.
3. WE# and/or CS# must be high during address transition time.
4. If CS# and OE# are low during this period, I/O pins are in the output state. Then, the data input signals of opposite phase to the outputs must not be applied to them.
5. If the CS# low transition occurs simultaneously with the WE# low transition or after the WE# transition, output remains a high impedance state.
6. t_{AS} is measured from the latest address transition to the later of CS# or WE# going low.
7. t_{WR} is measured from the earlier of CS# or WE# going high to the first address transition.
8. A write occurs during the overlap of a low CS# and a low WE#. A write begins at the latest transition among CS# going low and WE# going low. A write ends at the earliest transition among CS# going high and WE# going high. t_{WP} is measured from the beginning of write to the end of write.
9. t_{CW} is measured from the later of CS# going low to the end of write.

Timing Waveforms

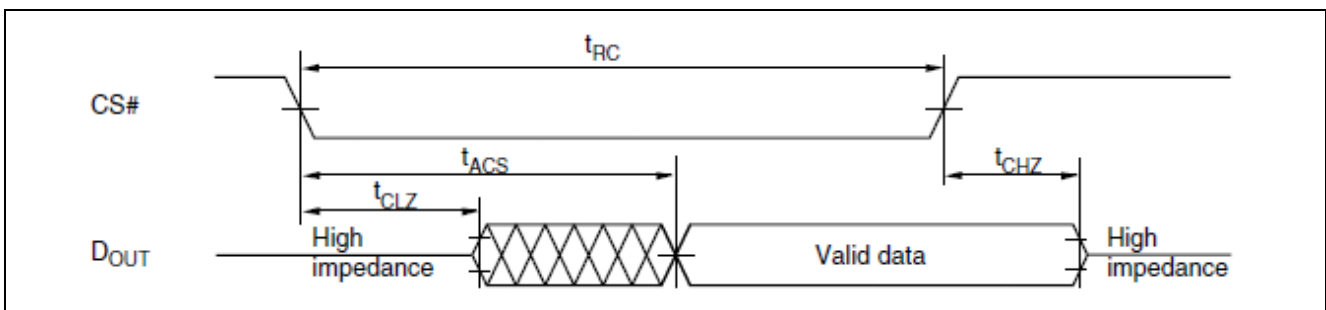
Read Timing Waveform (1) (WE# = V_{IH})



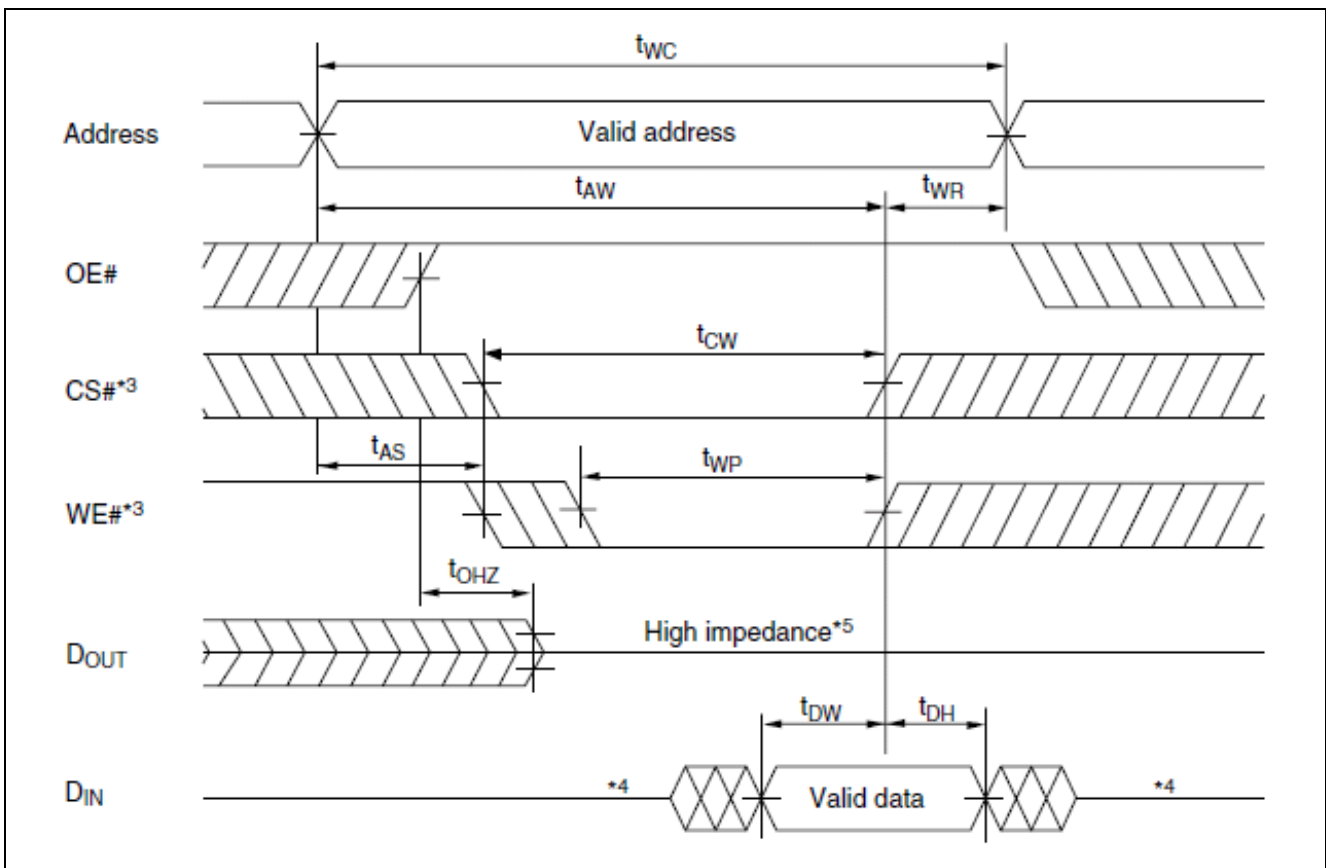
Read Timing Waveform (2) (WE# = V_{IH}, LB# = V_{IL}, UB# = V_{IL})



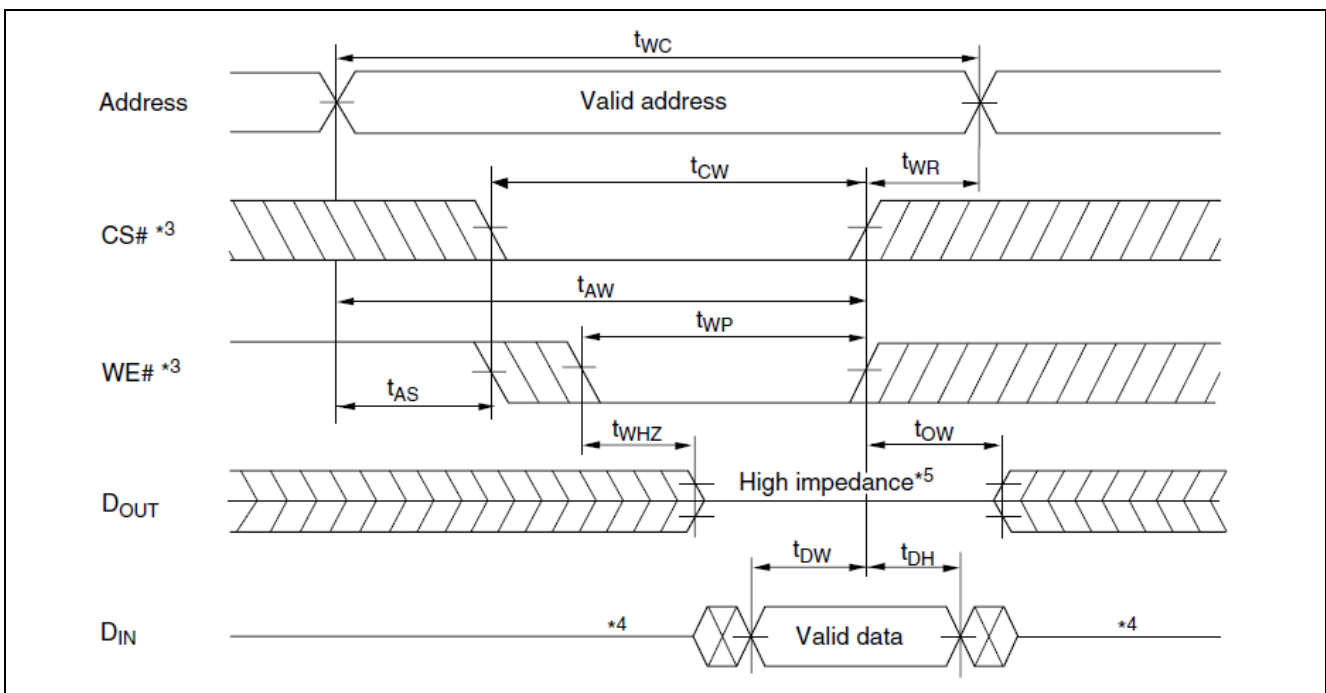
Read Timing Waveform (3) (WE# = V_{IH}, CS# = V_{IL}, OE# = V_{IL})*2



Write Timing Waveform (1) (WE# Controlled)



Write Timing Waveform (2) (CS# Controlled)



Revision History

Rev.	Date	Description	
		Page	Summary
1.00	Nov.18.19	-	First Edition issued

All documents should contain the following section break and paragraph as the last item. The footers of this document refer to the paragraph in order to reference the last page of the document.

IMPORTANT NOTICE AND DISCLAIMER

RENESAS ELECTRONICS CORPORATION AND ITS SUBSIDIARIES (“RENESAS”) PROVIDES TECHNICAL SPECIFICATIONS AND RELIABILITY DATA (INCLUDING DATASHEETS), DESIGN RESOURCES (INCLUDING REFERENCE DESIGNS), APPLICATION OR OTHER DESIGN ADVICE, WEB TOOLS, SAFETY INFORMATION, AND OTHER RESOURCES “AS IS” AND WITH ALL FAULTS, AND DISCLAIMS ALL WARRANTIES, EXPRESS OR IMPLIED, INCLUDING, WITHOUT LIMITATION, ANY IMPLIED WARRANTIES OF MERCHANTABILITY, FITNESS FOR A PARTICULAR PURPOSE, OR NON-INFRINGEMENT OF THIRD PARTY INTELLECTUAL PROPERTY RIGHTS.

These resources are intended for developers skilled in the art designing with Renesas products. You are solely responsible for (1) selecting the appropriate products for your application, (2) designing, validating, and testing your application, and (3) ensuring your application meets applicable standards, and any other safety, security, or other requirements. These resources are subject to change without notice. Renesas grants you permission to use these resources only for development of an application that uses Renesas products. Other reproduction or use of these resources is strictly prohibited. No license is granted to any other Renesas intellectual property or to any third party intellectual property. Renesas disclaims responsibility for, and you will fully indemnify Renesas and its representatives against, any claims, damages, costs, losses, or liabilities arising out of your use of these resources. Renesas' products are provided only subject to Renesas' Terms and Conditions of Sale or other applicable terms agreed to in writing. No use of any Renesas resources expands or otherwise alters any applicable warranties or warranty disclaimers for these products.

(Rev.1.0 Mar 2020)

Corporate Headquarters

TOYOSU FORESIA, 3-2-24 Toyosu,
Koto-ku, Tokyo 135-0061, Japan
www.renesas.com

Contact Information

For further information on a product, technology, the most up-to-date version of a document, or your nearest sales office, please visit:
www.renesas.com/contact/

Trademarks

Renesas and the Renesas logo are trademarks of Renesas Electronics Corporation. All trademarks and registered trademarks are the property of their respective owners.