

High efficiency 48-MHz Arm® Cortex®-M4 microcontroller, up to 1-MB code flash memory, 192-KB SRAM, Segment LCD Controller, Capacitive Touch Sensing Unit, USB 2.0 Full-Speed Module, 14-bit A/D Converter, 12-bit D/A Converter, security and safety features

## Features

### ■ Arm Cortex-M4 Core with Floating Point Unit (FPU)

- Armv7E-M architecture with DSP instruction set
- Maximum operating frequency: 48 MHz
- Support for 4-GB address space
- Arm Memory Protection Unit (Arm MPU) with 8 regions
- Debug and Trace: ITM, DWT, FPB, TPIU, ETB
- CoreSight™ Debug Port: JTAG-DP and SW-DP

### ■ Memory

- Up to 1-MB code flash memory
- 16-KB data flash memory (100,000 program/erase (P/E) cycles)
- Up to 192-KB SRAM
- Flash Cache (FCACHE)
- Memory Protection Unit (MPU)
- Memory Mirror Function (MMF)
- 128-bit unique ID

### ■ Connectivity

- USB 2.0 Full-Speed Module (USBFS)
  - On-chip transceiver with voltage regulator
  - Compliant with USB Battery Charging Specification 1.2
- Serial Communications Interface (SCI) × 6
  - UART
  - Simple IIC
  - Simple SPI
- Serial Peripheral Interface (SPI) × 2
- I<sup>2</sup>C bus interface (IIC) × 3
- Controller Area Network (CAN) module
- Serial Sound Interface (SSI) × 2
- SD/MMC Host Interface (SDHI)
- Quad Serial Peripheral Interface (QSPI)
- IrDA interface
- External address space
  - 8- or 16-bit bus space selectable per area

### ■ Analog

- 14-Bit A/D Converter (ADC14)
- 12-Bit D/A Converter (DAC12) × 2
- High-Speed Analog Comparator (ACMPHS) × 2
- Low-Power Analog Comparator (ACMPLP) × 2
- Operational Amplifier (OPAMP) × 4
- Temperature Sensor (TSN)

### ■ Timers

- General PWM Timer 32-bit (GPT32) × 10
- Low Power Asynchronous General-Purpose Timer (AGT) × 2
  - VBATT support
- Watchdog Timer (WDT)

### ■ Safety

- Error Correction Code (ECC) in SRAM
- SRAM parity error check
- Flash area protection
- ADC self-diagnosis function
- Clock Frequency Accuracy Measurement Circuit (CAC)
- Cyclic Redundancy Check (CRC) calculator
- Data Operation Circuit (DOC)
- Port Output Enable for GPT (POEG)
- Independent Watchdog Timer (IWDT)
- GPIO readback level detection
- Register write protection
- Main oscillator stop detection
- Illegal memory access

### ■ System and Power Management

- Low power modes
- Realtime Clock (RTC) with calendar and Battery Backup support
- Event Link Controller (ELC)
- DMA Controller (DMAC) × 4
- Data Transfer Controller (DTC)
- Key Interrupt Function (KINT)
- Power-on reset
- Low Voltage Detection (LVD) with voltage settings

### ■ Security and Encryption

- AES128/256
- GHASH
- True Random Number Generator (TRNG)

### ■ Human Machine Interface (HMI)

- Segment LCD Controller (SLCDC)
  - Up to 52 segments × 4 commons
  - Up to 48 segments × 8 commons
- Capacitive Touch Sensing Unit (CTSUS)

### ■ Multiple Clock Sources

- Main clock oscillator (MOSC)
  - (1 to 20 MHz when VCC = 2.4 to 5.5 V)
  - (1 to 8 MHz when VCC = 1.8 to 2.4 V)
  - (1 to 4 MHz when VCC = 1.6 to 1.8 V)
- Sub-clock oscillator (SOSC) (32.768 kHz)
- High-speed on-chip oscillator (HOCO)
  - (24, 32, 48, 64 MHz when VCC = 2.4 to 5.5 V)
  - (24, 32, 48 MHz when VCC = 1.8 to 5.5 V)
  - (24, 32 MHz when VCC = 1.6 to 5.5 V)
- Middle-speed on-chip oscillator (MOCO) (8 MHz)
- Low-speed on-chip oscillator (LOCO) (32.768 kHz)
- IWDT-dedicated on-chip oscillator (15 kHz)
- Clock trim function for HOCO/MOCO/LOCO
- Clock out support

### ■ General Purpose I/O Ports

- Up to 124 input/output pins
  - Up to 3 CMOS input
  - Up to 121 CMOS input/output
  - Up to 10 input/output 5-V tolerant
  - Up to 2 high current (20 mA)

### ■ Operating Voltage

- VCC: 1.6 to 5.5 V

### ■ Operating Temperature and Packages

- Ta = -40°C to +85°C
  - 145-pin LGA (7 mm × 7 mm, 0.5 mm pitch)
  - 121-pin BGA (8 mm × 8 mm, 0.65 mm pitch)
  - 100-pin LGA (7 mm × 7 mm, 0.65 mm pitch)
- Ta = -40°C to +105°C
  - 144-pin LQFP (20 mm × 20 mm, 0.5 mm pitch)
  - 100-pin LQFP (14 mm × 14 mm, 0.5 mm pitch)
  - 64-pin LQFP (10 mm × 10 mm, 0.5 mm pitch)
  - 64-pin QFN (8 mm × 8 mm, 0.4 mm pitch)

## 1. Overview

The MCU integrates multiple series of software- and pin-compatible Arm<sup>®</sup>-based 32-bit MCUs that share a common set of Renesas peripherals to facilitate design scalability and efficient platform-based product development.

The MCU provides an optimal combination of low power, high performance Arm Cortex<sup>®</sup>-M4 core running up to 48 MHz with the following features:

- Up to 1-MB code flash memory
- 192-KB SRAM
- Segment LCD Controller (SLCDC)
- Capacitive Touch Sensing Unit (CTSU)
- USB 2.0 Full-Speed Module (USBFS)
- 14-bit A/D Converter (ADC14)
- 12-bit D/A Converter (DAC12)
- Security features.

### 1.1 Function Outline

**Table 1.1 Arm core**

Feature	Functional description
Arm Cortex-M4	<ul style="list-style-type: none"> <li>• Maximum operating frequency: up to 48 MHz</li> <li>• Arm Cortex-M4               <ul style="list-style-type: none"> <li>- Revision: r0p1-01rel0</li> <li>- Armv7E-M architecture profile</li> <li>- Single precision floating-point unit compliant with the ANSI/IEEE Std 754-2008.</li> </ul> </li> <li>• Arm Memory Protection Unit (Arm MPU)               <ul style="list-style-type: none"> <li>- Armv7 Protected Memory System Architecture</li> <li>- 8 protected regions.</li> </ul> </li> <li>• SysTick timer               <ul style="list-style-type: none"> <li>- Driven by SYSTICCLK (LOCO) or ICLK.</li> </ul> </li> </ul>

**Table 1.2 Memory**

Feature	Functional description
Code flash memory	Maximum 1-MB code flash memory. See section 48, Flash Memory in User's Manual.
Data flash memory	16-KB data flash memory. See section 48, Flash Memory in User's Manual.
Option-setting memory	The option-setting memory determines the state of the MCU after a reset. See section 7, Option-Setting Memory in User's Manual.
Memory Mirror Function (MMF)	The Memory Mirror Function (MMF) can be configured to mirror the desired application image load address in code flash memory to the application image link address in the 23-bit unused memory space (memory mirror space addresses). Your application code is developed and linked to run from this MMF destination address. The application code does not need to know the load location where it is stored in code flash memory. See section 5, Memory Mirror Function (MMF) in User's Manual.
SRAM	On-chip high-speed SRAM with either parity-bit or Error Correction Code (ECC). An area in SRAM0 provides error correction capability using ECC. See section 47, SRAM in User's Manual.

**Table 1.3 System (1 of 2)**

Feature	Functional description
Operating modes	Two operating modes: <ul style="list-style-type: none"> <li>• Single-chip mode</li> <li>• SCI/USB boot mode.</li> </ul> See section 3, Operating Modes in User's Manual.
Resets	14 resets: <ul style="list-style-type: none"> <li>• RES pin reset</li> <li>• Power-on reset</li> <li>• VBATT-selected voltage power-on reset</li> <li>• Independent watchdog timer reset</li> <li>• Watchdog timer reset</li> <li>• Voltage monitor 0 reset</li> <li>• Voltage monitor 1 reset</li> <li>• Voltage monitor 2 reset</li> <li>• SRAM parity error reset</li> <li>• SRAM ECC error reset</li> <li>• Bus master MPU error reset</li> <li>• Bus slave MPU error reset</li> <li>• CPU stack pointer error reset</li> <li>• Software reset.</li> </ul> See section 6, Resets in User's Manual.
Low Voltage Detection (LVD)	The Low Voltage Detection (LVD) function monitors the voltage level input to the VCC pin, and the detection level can be selected using a software program. See section 8, Low Voltage Detection (LVD) in User's Manual.
Clocks	<ul style="list-style-type: none"> <li>• Main clock oscillator (MOSC)</li> <li>• Sub-clock oscillator (SOSC)</li> <li>• High-speed on-chip oscillator (HOCO)</li> <li>• Middle-speed on-chip oscillator (MOCO)</li> <li>• Low-speed on-chip oscillator (LOCO)</li> <li>• PLL frequency synthesizer</li> <li>• IWDT-dedicated on-chip oscillator</li> <li>• Clock out support.</li> </ul> See section 9, Clock Generation Circuit in User's Manual.
Clock Frequency Accuracy Measurement Circuit (CAC)	The Clock Frequency Accuracy Measurement Circuit (CAC) counts pulses of the clock to be measured (measurement target clock) within the time generated by the clock to be used as a measurement reference (measurement reference clock), and determines the accuracy depending on whether the number of pulses is within the allowable range. When measurement is complete or the number of pulses within the time generated by the measurement reference clock is not within the allowable range, an interrupt request is generated. See section 10, Clock Frequency Accuracy Measurement Circuit (CAC) in User's Manual.
Interrupt Controller Unit (ICU)	The Interrupt Controller Unit (ICU) controls which event signals are linked to the NVIC/DTC module and DMAC module. The ICU also controls NMI interrupts. See section 14, Interrupt Controller Unit (ICU) in User's Manual.
Key Interrupt Function (KINT)	A key interrupt can be generated by setting the Key Return Mode Register (KRM) and inputting a rising or falling edge to the key interrupt input pins. See section 21, Key Interrupt Function (KINT) in User's Manual.
Low power modes	Power consumption can be reduced in multiple ways, such as by setting clock dividers, controlling EBCLK output, stopping modules, selecting power control mode in normal operation, and transitioning to low power modes. See section 11, Low Power Modes in User's Manual.
Battery backup function	A battery backup function is provided for partial powering by a battery. The battery-powered area includes RTC, AGT, SOSC, LOCO, Wakeup Control, Backup Memory, VBATT_R Low Voltage Detection, and switches between VCC and VBATT. During normal operation, the battery powered area is powered by the main power supply, the VCC pin. When a VCC voltage drop is detected, the power source is switched to the dedicated battery backup power pin, the VBATT pin. When the voltage rises again, the power source is switched from the VBATT pin to the VCC pin. See section 12, Battery Backup Function in User's Manual.
Register write protection	The register write protection function protects important registers from being overwritten due to software errors. See section 13, Register Write Protection in User's Manual.

**Table 1.3 System (2 of 2)**

Feature	Functional description
Memory Protection Unit (MPU)	Four MPUs and a CPU stack pointer monitor function are provided for memory protection. See section 16, Memory Protection Unit (MPU) in User's Manual.
Watchdog Timer (WDT)	The WDT is a 14-bit down-counter. It can be used to reset the MCU when the counter underflows because the system has run out of control and is unable to refresh the WDT. In addition, a non-maskable interrupt or interrupt can be generated by an underflow. A refresh-permitted period can be set to refresh the counter and be used as the condition for detecting when the system runs out of control. See section 26, Watchdog Timer (WDT) in User's Manual.
Independent Watchdog Timer (IWDT)	The IWDT consists of a 14-bit down-counter that must be serviced periodically to prevent counter underflow. The IWDT provides functionality to reset the MCU or to generate a non-maskable interrupt/interrupt for a timer underflow. Because the timer operates with an independent, dedicated clock source, it is particularly useful in returning the MCU to a known state as a fail safe mechanism when the system runs out of control. The IWDT can be triggered automatically on a reset, underflow, or refresh error, or by a refresh of the count value in the registers. See section 27, Independent Watchdog Timer (IWDT) in User's Manual.

**Table 1.4 Event link**

Feature	Functional description
Event Link Controller (ELC)	The ELC uses the interrupt requests generated by various peripheral modules as event signals to connect them to different modules, enabling direct interaction between the modules without CPU intervention. See section 19, Event Link Controller (ELC) in User's Manual.

**Table 1.5 Direct memory access**

Feature	Functional description
Data Transfer Controller (DTC)	A DTC module is provided for transferring data when activated by an interrupt request. See section 18, Data Transfer Controller (DTC) in User's Manual.
DMA Controller (DMAC)	A 4-channel DMAC module is provided for transferring data without the CPU. When a DMA transfer request is generated, the DMAC transfers data stored at the transfer source address to the transfer destination address. See section 17, DMA Controller (DMAC) in User's Manual.

**Table 1.6 External bus interface**

Feature	Functional description
External bus	<ul style="list-style-type: none"> <li>• CS area: Connected to the external devices (external memory interface)</li> <li>• QSPI area: Connected to the QSPI (external device interface).</li> </ul>

**Table 1.7 Timers**

Feature	Functional description
General PWM Timer (GPT)	The GPT is a 32-bit timer with 10 channels. PWM waveforms can be generated by controlling the up-counter, down-counter, or the up- and down-counter. In addition, PWM waveforms can be generated for controlling brushless DC motors. The GPT can also be used as a general-purpose timer. See section 23, General PWM Timer (GPT) in User's Manual.
Port Output Enable for GPT (POEG)	Use the POEG function to place the General PWM Timer (GPT) output pins in the output disable state. See section 22, Port Output Enable for GPT (POEG) in User's Manual.
Low Power Asynchronous General Purpose Timer (AGT)	The AGT is a 16-bit timer that can be used for pulse output, external pulse width or period measurement, and counting of external events. This 16-bit timer consists of a reload register and a down-counter. The reload register and the down-counter are allocated to the same address, and they can be accessed with the AGT register. See section 24, Low Power Asynchronous General Purpose Timer (AGT) in User's Manual.
Realtime Clock (RTC)	The RTC has two counting modes, calendar count mode and binary count mode, that are controlled by the register settings. For calendar count mode, the RTC has a 100-year calendar from 2000 to 2099 and automatically adjusts dates for leap years. For binary count mode, the RTC counts seconds and retains the information as a serial value. Binary count mode can be used for calendars other than the Gregorian (Western) calendar. See section 25, Realtime Clock (RTC) in User's Manual.

**Table 1.8 Communication interfaces (1 of 2)**

Feature	Functional description
Serial Communications Interface (SCI)	The SCI is configurable to five asynchronous and synchronous serial interfaces: <ul style="list-style-type: none"> <li>Asynchronous interfaces (UART and asynchronous communications interface adapter (ACIA))</li> <li>8-bit clock synchronous interface</li> <li>Simple IIC (master-only)</li> <li>Simple SPI</li> <li>Smart card interface.</li> </ul> The smart card interface complies with the ISO/IEC 7816-3 standard for electronic signals and transmission protocol. Each SCI has FIFO buffers to enable continuous and full-duplex communication, and the data transfer speed can be configured individually using an on-chip baud rate generator. See section 29, Serial Communications Interface (SCI) in User's Manual.
IrDA Interface (IrDA)	The IrDA interface sends and receives IrDA data communication waveforms in cooperation with the SCI1 based on the IrDA (Infrared Data Association) standard 1.0. See section 30, IrDA Interface in User's Manual.
I <sup>2</sup> C Bus Interface (IIC)	The 3-channel IIC module conforms with and provides a subset of the NXP I <sup>2</sup> C bus (Inter-Integrated Circuit bus) interface functions. See section 31, I <sup>2</sup> C Bus Interface (IIC) in User's Manual.
Serial Peripheral Interface (SPI)	Two independent SPI channels are capable of high-speed, full-duplex synchronous serial communications with multiple processors and peripheral devices. See section 33, Serial Peripheral Interface (SPI) in User's Manual.
Serial Sound Interface (SSI)	The SSI peripheral provides functionality to interface with digital audio devices for transmitting PCM audio data over a serial bus with the MCU. The SSI supports an audio clock frequency of up to 50 MHz, and can be operated as a slave or master receiver, transmitter, or transceiver to suit various applications. The SSI includes 8-stage FIFO buffers in the receiver and transmitter, and supports interrupts and DMA-driven data reception and transmission. See section 36, Serial Sound Interface (SSI) in User's Manual.
Quad Serial Peripheral Interface (QSPI)	The QSPI is a memory controller for connecting a serial ROM (nonvolatile memory such as a serial flash memory, serial EEPROM, or serial FeRAM) that has an SPI-compatible interface. See section 34, Quad Serial Peripheral Interface (QSPI) in User's Manual.
Controller Area Network (CAN) Module	The CAN module provides functionality to receive and transmit data using a message-based protocol between multiple slaves and masters in electromagnetically noisy applications. The CAN module complies with the ISO 11898-1 (CAN 2.0A/CAN 2.0B) standard and supports up to 32 mailboxes, which can be configured for transmission or reception in normal mailbox and FIFO modes. Both standard (11-bit) and extended (29-bit) messaging formats are supported. See section 32, Controller Area Network (CAN) Module in User's Manual.

**Table 1.8 Communication interfaces (2 of 2)**

Feature	Functional description
USB 2.0 Full-Speed Module (USBFS)	<p>The full-speed USB controller can operate as a host controller or device controller. The module supports full-speed and low-speed (host controller only) transfer as defined in the Universal Serial Bus Specification 2.0. The module has an internal USB transceiver and supports all of the transfer types defined in the Universal Serial Bus Specification 2.0. The USB has buffer memory for data transfer, providing a maximum of 10 pipes. Pipes 1 to 9 can be assigned any endpoint number based on the peripheral devices used for communication or based on the user system.</p> <p>The MCU supports revision 1.2 of the battery charging specification. Because the MCU can be powered at 5 V, the USB LDO regulator provides the internal USB transceiver power supply 3.3 V. See section 28, USB 2.0 Full-Speed Module (USBFS) in User's Manual.</p>
SD/MMC Host Interface (SDHI)	<p>The SDHI provides the functionality needed to connect a variety of external memory cards to the MCU. The SDHI supports both 1-bit and 4-bit buses for connecting memory cards that support SD, SDHC, and SDXC formats. When developing host devices that are compliant with the SD specifications, you must comply with the SD Host/Ancillary Product License Agreement (SD HALA).</p> <p>The MMC interface supports 1-bit, 4-bit, and 8-bit MMC buses that provide eMMC 4.51 (JEDEC Standard JESD 84-B451) device access. This interface also provides backward compatibility and supports high-speed SDR transfer modes. See section 37, SD/MMC Host Interface (SDHI) in User's Manual.</p>

**Table 1.9 Analog**

Feature	Functional description
14-bit A/D Converter (ADC14)	<p>A 14-bit successive approximation A/D converter is provided. Up to 28 analog input channels are selectable. Temperature sensor output and internal reference voltage are selectable for conversion. The A/D conversion accuracy is selectable from 12-bit and 14-bit conversion making it possible to optimize the tradeoff between speed and resolution in generating a digital value. See section 39, 14-Bit A/D Converter (ADC14) in User's Manual.</p>
12-bit D/A Converter (DAC12)	<p>The 12-bit D/A converts data and includes an output amplifier. See section 40, 12-Bit D/A Converter (DAC12) in User's Manual.</p>
Temperature Sensor (TSN)	<p>The on-chip temperature sensor determines and monitors the die temperature for reliable operation of the device. The sensor outputs a voltage directly proportional to the die temperature, and the relationship between the die temperature and the output voltage is linear. The output voltage is provided to the ADC14 for conversion and can be further used by the end application. See section 41, Temperature Sensor (TSN) in User's Manual.</p>
High-Speed Analog Comparator (ACMPHS)	<p>ACMPHS compares the test voltage with a reference voltage and to provide a digital output based on the result of conversion. Both the test and reference voltages can be provided to the comparator from internal sources such as the DAC12 output and internal reference voltage, and an external source. Such flexibility is useful in applications that require go/no-go comparisons to be performed between analog signals without necessarily requiring A/D conversion. See section 43, High-Speed Analog Comparator (ACMPHS) in User's Manual.</p>
Low-Power Analog Comparator (ACMPLP)	<p>ACMPLP compares a reference input voltage and analog input voltage. The comparison result can be read by software and also be output externally. The reference input voltage can be selected from either an input to the CMPREFi (i = 0, 1) pin or from the internal reference voltage (Vref) generated internally in the MCU. The ACMPLP response speed can be set before starting an operation. Setting the high-speed mode decreases the response delay time, but increases current consumption. Setting the low-speed mode increases the response delay time, but decreases current consumption. See section 44, Low Power Analog Comparator (ACMPLP) in User's Manual.</p>
Operational Amplifier (OPAMP)	<p>OPAMP amplifies small analog input voltages and outputs the amplified voltages. A total of four differential operational amplifier units with two input pins and one output pin are provided. See section 42, Operational Amplifier (OPAMP) in User's Manual.</p>

**Table 1.10 Human machine interfaces**

Feature	Functional description
Segment LCD Controller (SLCDC)	<p>The SLCDC provides the following functions:</p> <ul style="list-style-type: none"> <li>• Waveform A or B selectable</li> <li>• The LCD driver voltage generator can switch between an internal voltage boosting method, a capacitor split method, and an external resistance division method</li> <li>• Automatic output of segment and common signals based on automatic display data register read</li> <li>• The reference voltage generated when operating the voltage boost circuit can be selected in 16 steps (contrast adjustment)</li> <li>• The LCD can be made to blink.</li> </ul> <p>See section 49, Segment LCD Controller/Driver (SLCDC) in User's Manual.</p>
Capacitive Touch Sensing Unit (CTSU)	<p>The Capacitive Touch Sensing Unit (CTSU) measures the electrostatic capacitance of the touch sensor. Changes in the electrostatic capacitance are determined by software, which enables the CTSU to detect whether a finger is in contact with the touch sensor. The electrode surface of the touch sensor is usually enclosed with an electrical insulator so that a finger does not come into direct contact with the electrodes. See section 45, Capacitive Touch Sensing Unit (CTSU) in User's Manual.</p>

**Table 1.11 Data processing**

Feature	Functional description
Cyclic Redundancy Check (CRC) Calculator	<p>The CRC calculator generates CRC codes to detect errors in the data. The bit order of CRC calculation results can be switched for LSB-first or MSB-first communication. Additionally, various CRC generation polynomials are available. The snoop function allows monitoring reads from and writes to specific addresses. This function is useful in applications that require CRC code to be generated automatically in certain events, such as monitoring writes to the serial transmit buffer and reads from the serial receive buffer. See section 35, Cyclic Redundancy Check (CRC) Calculator in User's Manual.</p>
Data Operation Circuit (DOC)	<p>The Data Operation Circuit (DOC) compares, adds, and subtracts 16-bit data. See section 46, Data Operation Circuit (DOC) in User's Manual.</p>

**Table 1.12 Security**

Feature	Functional description
Secure Crypto Engine 5 (SCE5)	<ul style="list-style-type: none"> <li>• Security algorithm: <ul style="list-style-type: none"> <li>- Symmetric algorithm: AES.</li> </ul> </li> <li>• Other support features: <ul style="list-style-type: none"> <li>- TRNG (True Random Number Generator)</li> <li>- Hash-value generation: GHASH.</li> </ul> </li> </ul>

**Table 1.13 I/O ports**

Feature	Functional description
I/O ports	<ul style="list-style-type: none"> <li>• I/O ports for the 145-pin LGA, 144-pin LQFP               <ul style="list-style-type: none"> <li>- I/O pins: 121</li> <li>- Input pins: 3</li> <li>- Pull-up resistors: 121</li> <li>- N-ch open-drain outputs: 105</li> <li>- 5-V tolerance: 10</li> </ul> </li> <li>• I/O ports for the 121-pin BGA               <ul style="list-style-type: none"> <li>- I/O pins: 99</li> <li>- Input pins: 3</li> <li>- Pull-up resistors: 99</li> <li>- N-ch open-drain outputs: 84</li> <li>- 5-V tolerance: 10</li> </ul> </li> <li>• I/O ports for the 100-pin LGA, 100-pin LQFP               <ul style="list-style-type: none"> <li>- I/O pins: 79</li> <li>- Input pins: 3</li> <li>- Pull-up resistors: 79</li> <li>- N-ch open-drain outputs: 64</li> <li>- 5-V tolerance: 8</li> </ul> </li> <li>• I/O ports for the 64-pin LQFP, 64-pin QFN               <ul style="list-style-type: none"> <li>- I/O pins: 47</li> <li>- Input pins: 3</li> <li>- Pull-up resistors: 47</li> <li>- N-ch open-drain outputs: 36</li> <li>- 5-V tolerance: 6</li> </ul> </li> </ul>



## 1.2 Block Diagram

Figure 1.1 shows the block diagram of the MCU superset. Some individual devices within the group have a subset of the features.

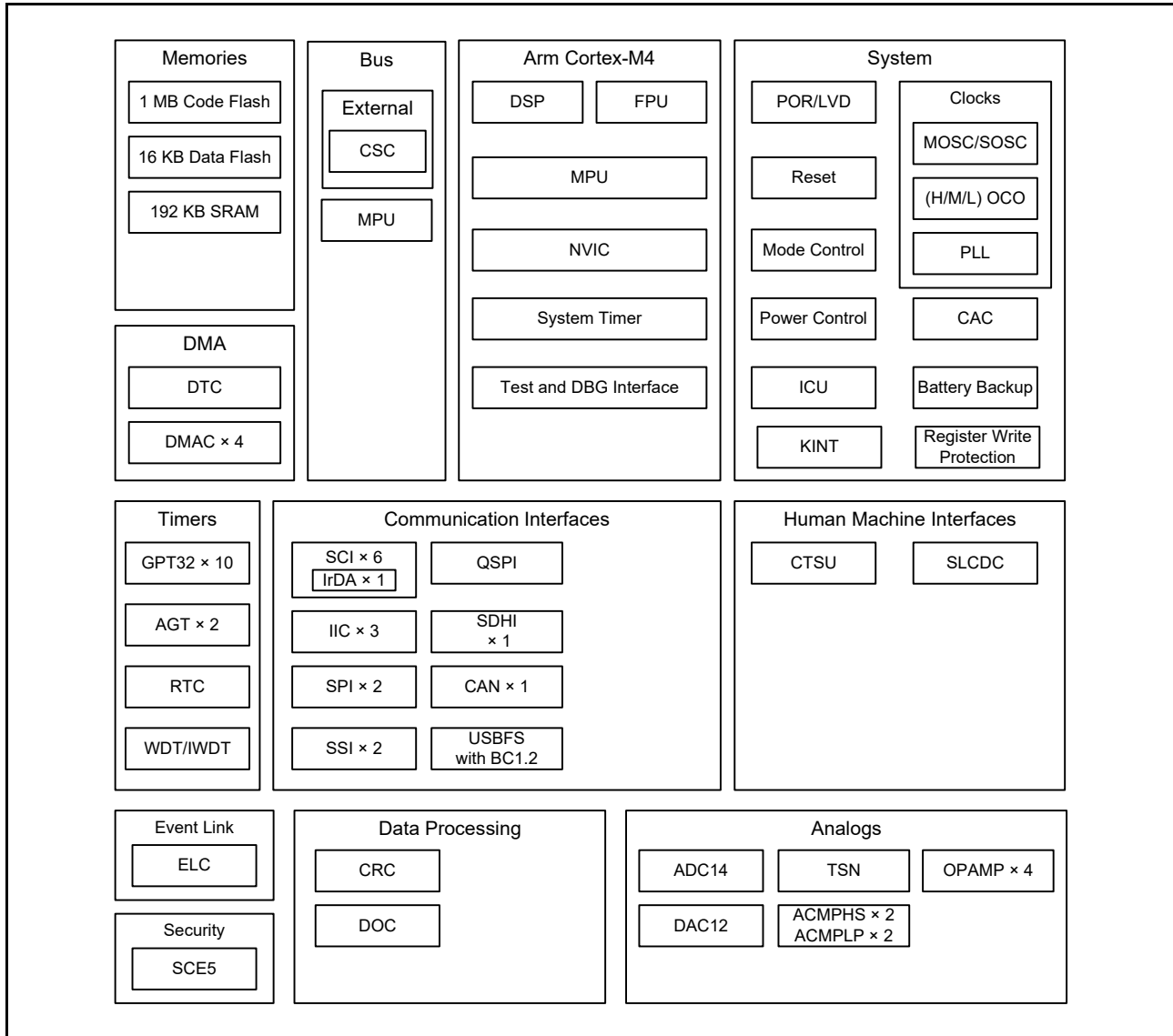


Figure 1.1 Block diagram

### 1.3 Part Numbering

Figure 1.2 shows the product part number information, including memory capacity, and package type. Table 1.14 shows a product list.

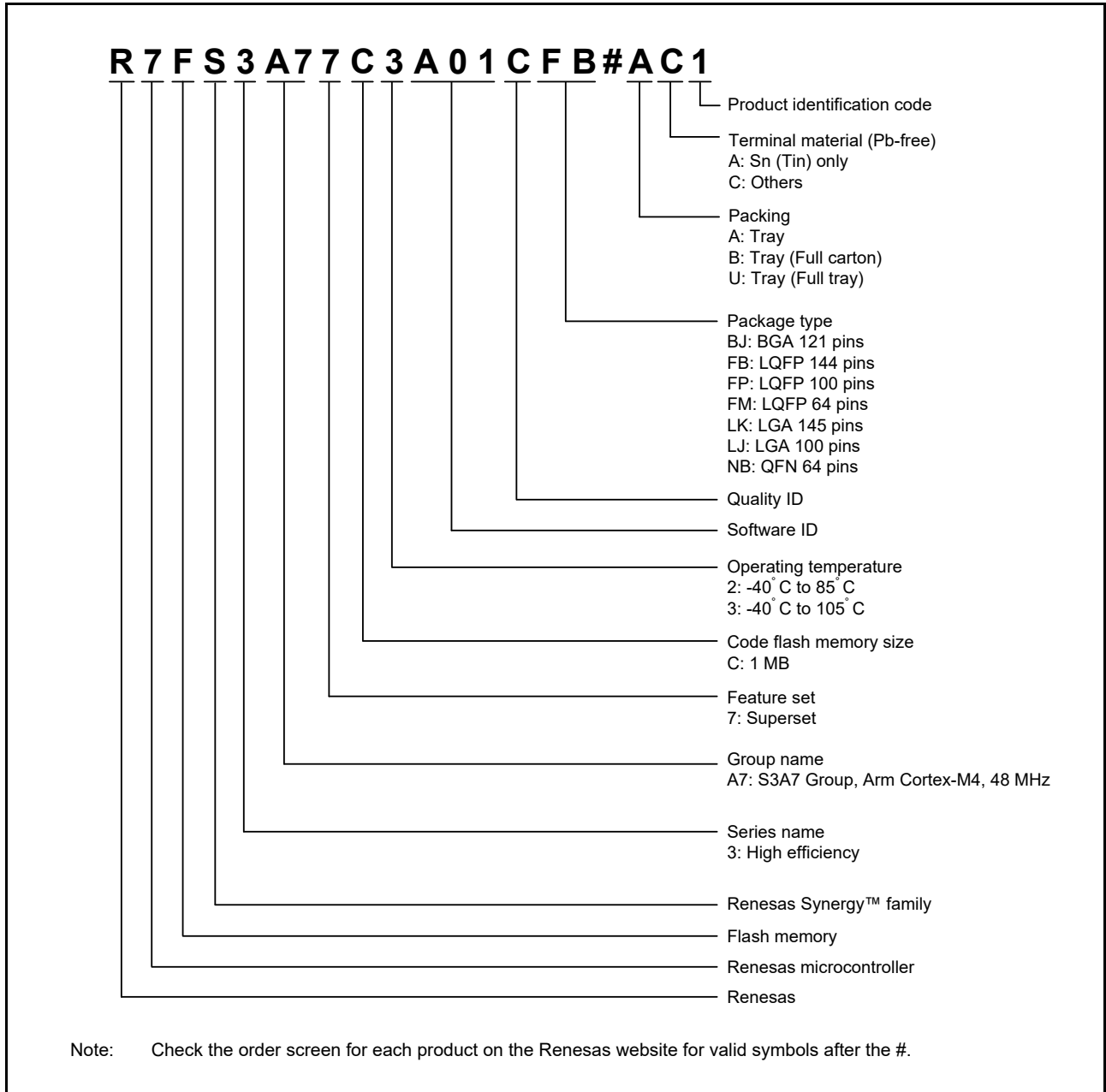


Figure 1.2 Part numbering scheme

**Table 1.14 Product list**

Part number	Package	Code flash	Data flash	SRAM	Operating temperature
R7FS3A77C2A01CLK	PTLG0145KA-A	1 MB	16 KB	192 KB	-40 to +85°C
R7FS3A77C3A01CFB	PLQP0144KA-B				-40 to +105°C
R7FS3A77C2A01CBJ	PLBG0121JA-A				-40 to +85°C
R7FS3A77C3A01CFP	PLQP0100KB-B				-40 to +105°C
R7FS3A77C2A01CLJ	PTLG0100JA-A				-40 to +85°C
R7FS3A77C3A01CFM	PLQP0064KB-C				-40 to +105°C
R7FS3A77C3A01CNB	PWQN0064LA-A				
	PWQN0064LB-B				

## 1.4 Function Comparison

Table 1.15 Function comparison

Parts number	R7FS3A77C2A01CLK	R7FS3A77C3A01CFB	R7FS3A77C2A01CBJ	R7FS3A77C3A01CFP	R7FS3A77C2A01CLJ	R7FS3A77C3A01CFM R7FS3A77C3A01CNB	
Pin count	145	144	121	100	100	64	
Package	LGA	LQFP	BGA	LQFP	LGA	LQFP/QFN	
Code flash memory	1 MB						
Data flash memory	16 KB						
SRAM	192 KB						
	Parity	176 KB					
	ECC	16 KB					
System	CPU clock	48 MHz					
	Backup registers	512 bytes					
	ICU	Yes					
	KINT	8					
Event control	ELC	Yes					
DMA	DTC	Yes					
	DMAC	4					
BUS	External bus	16-bit bus	8-bit bus			No	
Timers	GPT32	10				9	
	AGT	2					
	RTC	Yes					
	WDT/IWDT	Yes					
Communication	SCI	6					
	IIC	3	2				
	SPI	2					
	SSI	2				1	
	QSPI	1					No
	SDHI	1					No
	CAN	1					
	USBFS	Yes					
Analog	ADC14	28	26	25		18	
	DAC12	2					
	ACMPHS	2					
	ACMPLP	2					
	OPAMP	4				3	
	TSN	Yes					
HMI	SLCDC	4 com × 52 seg or 8 com × 48 seg	4 com × 38 seg or 8 com × 34 seg	4 com × 26 seg or 8 com × 22 seg		No	
	CTSU	31			26	14	
Data processing	CRC	Yes					
	DOC	Yes					
Security	SCE5						
I/O ports	I/O pins	121	99	79		47	
	Input pins	3					
	Pull-up resistors	121	99	79		47	
	N-ch open-drain outputs	105	84	64		36	
	5-V tolerance	10			8		6

## 1.5 Pin Functions

Function	Signal	I/O	Description
Power supply	VCC	Input	Power supply pin. Connect to the system power supply. Connect this pin to VSS through a 0.1- $\mu$ F capacitor. Place the capacitor close to the pin.
	VCL	Input	Connect this pin to the VSS pin through the smoothing capacitor used to stabilize the internal power supply. Place the capacitor close to the pin.
	VSS	Input	Ground pin. Connect it to the system power supply (0 V).
	VBATT	Input	Backup power supply pin
Clock	XTAL	Output	Pins for a crystal resonator. An external clock signal can be input through the EXTAL pin.
	EXTAL	Input	
	XCIN	Input	Input/output pins for the sub-clock oscillator. Connect a crystal resonator between XCOU and XCIN.
	XCOU	Output	
	EBCLK	Output	Outputs the external bus clock for external devices
	CLKOUT	Output	Clock output pin
Operating mode control	MD	Input	Pin for setting the operating mode. The signal level on this pin must not be changed during operation mode transition on release from the reset state.
System control	RES	Input	Reset signal input pin. The MCU enters the reset state when this signal goes low.
CAC	CACREF	Input	Measurement reference clock input pin
Interrupt	NMI	Input	Non-maskable interrupt request pin
	IRQ0 to IRQ15	Input	Maskable interrupt request pins
KINT	KR00 to KR07	Input	A key interrupt (KINT) can be generated by inputting a falling edge to the key interrupt input pins
On-chip debug	TMS	I/O	On-chip emulator or boundary scan pins
	TDI	Input	
	TCK	Input	
	TDO	Output	
	SWDIO	I/O	Serial wire debug data Input/output pin
	SWCLK	Input	Serial wire clock pin
	SWO	Output	Serial wire trace output pin
External bus interface	RD	Output	Strobe signal indicating that reading from the external bus interface space is in progress, active-low
	WR	Output	Strobe signal indicating that writing to the external bus interface space is in progress, in 1-write strobe mode, active-low
	WR0, WR1	Output	Strobe signals indicating that either group of data bus pins (D07 to D00, D15 to D08) is valid in writing to the external bus interface space, in byte strobe mode, active-low
	BC0, BC1	Output	Strobe signals indicating that either group of data bus pins (D07 to D00, D15 to D08) is valid in access to the external bus interface space, in 1-write strobe mode, active-low
	WAIT	Input	Input pin for wait request signals in access to the external space, active-low
	CS0 to CS3	Output	Select signals for CS areas, active-low
	A00 to A16	Output	Address bus
	D00 to D15	I/O	Data bus
Battery Backup	VBATWIO0 to VBATWIO2	I/O	Output wakeup signal for the VBATT wakeup control function. External event input for the VBATT wakeup control function.

Function	Signal	I/O	Description
GPT	GTETRGA, GTETRGB, GTETRGD, GTETRGC	Input	External trigger input pins
	GTIOC0A to GTIOC9A, GTIOC0B to GTIOC9B	I/O	Input capture, output capture, or PWM output pins
	GTIU	Input	Hall sensor input pin U
	GTIV	Input	Hall sensor input pin V
	GTIW	Input	Hall sensor input pin W
	GTOUUP	Output	3-phase PWM output for BLDC motor control (positive U phase)
	GTOULO	Output	3-phase PWM output for BLDC motor control (negative U phase)
	GTOVUP	Output	3-phase PWM output for BLDC motor control (positive V phase)
	GTOVLO	Output	3-phase PWM output for BLDC motor control (negative V phase)
	GTOWUP	Output	3-phase PWM output for BLDC motor control (positive W phase)
	GTOWLO	Output	3-phase PWM output for BLDC motor control (negative W phase)
AGT	AGTEE0, AGTEE1	Input	External event input enable signals
	AGTIO0, AGTIO1	I/O	External event input and pulse output pins
	AGTO0, AGTO1	Output	Pulse output pins
	AGTOA0, AGTOA1	Output	Output compare match A output pins
	AGTOB0, AGTOB1	Output	Output compare match B output pins
RTC	RTCOUT	Output	Output pin for 1-Hz/64-Hz clock
	RTCIC0 to RTCIC2	Input	Time capture event input pins
SCI	SCK0 to SCK4, SCK9	I/O	Input/output pins for the clock (clock synchronous mode)
	RXD0 to RXD4, RXD9	Input	Input pins for received data (asynchronous mode/clock synchronous mode)
	TXD0 to TXD4, TXD9	Output	Output pins for transmitted data (asynchronous mode/clock synchronous mode)
	CTS0_RTS0 to CTS4_RTS4, CTS9_RTS9	I/O	Input/output pins for controlling the start of transmission and reception (asynchronous mode/clock synchronous mode), active-low
	SCL0 to SCL4, SCL9	I/O	Input/output pins for the I <sup>2</sup> C clock (simple IIC)
	SDA0 to SDA4, SDA9	I/O	Input/output pins for the I <sup>2</sup> C data (simple IIC)
	SCK0 to SCK4, SCK9	I/O	Input/output pins for the clock (simple SPI)
	MISO0 to MISO4, MISO9	I/O	Input/output pins for slave transmission of data (simple SPI)
	MOSI0 to MOSI4, MOSI9	I/O	Input/output pins for master transmission of data (simple SPI)
	SS0 to SS4, SS9	Input	Chip-select input pins (simple SPI), active-low
IIC	SCL0 to SCL2	I/O	Input/output pins for the clock
	SDA0 to SDA2	I/O	Input/output pins for the data
SSI	SSISCK0	I/O	SSI serial bit clock pins
	SSISCK1		
	SSIWS0	I/O	Word select pins
	SSIWS1		
	SSITXD0	Output	Serial data output pin
	SSIRXD0	Input	Serial data input pin
	SSIDATA1	I/O	Serial data input/output pin
	AUDIO_CLK	Input	External clock pin for audio (input oversampling clock)

Function	Signal	I/O	Description
SPI	RSPCKA, RSPCKB	I/O	Clock input/output pin
	MOSIA, MOSIB	I/O	Input or output pins for data output from the master
	MISOA, MISOB	I/O	Input or output pins for data output from the slave
	SSLA0, SSLB0	I/O	Input or output pins for slave selection
	SSLA1, SSLA2, SSLA3, SSLB1, SSLB2, SSLB3	Output	Output pins for slave selection
QSPI	QSPCLK	Output	QSPI clock output pin
	QSSL	Output	QSPI slave output pin
	QIO0	I/O	Master transmit data/Data 0
	QIO1	I/O	Master input data/Data 1
	QIO2, QIO3	I/O	Data 2, Data 3
CAN	CRX0	Input	Receive data
	CTX0	Output	Transmit data
USBFS	VSS_USB	Input	Ground pins
	VCC_USB_LDO	Input	Power supply pin for USB LDO regulator
	VCC_USB	I/O	Input: Power supply pin for USB transceiver. Output: USB LDO regulator output pin. This pin should be connected to an external capacitor.
	USB_DP	I/O	D+ I/O pin of the USB on-chip transceiver. Connect this pin to the D+ pin of the USB bus.
	USB_DM	I/O	D- I/O pin of the USB on-chip transceiver. Connect this pin to the D- pin of the USB bus.
	USB_VBUS	Input	USB cable connection monitor pin. Connect this pin to VBUS of the USB bus. The VBUS pin status (connected or disconnected) can be detected when the USB module is operating as a device controller.
	USB_EXICEN	Output	Low power control signal for external power supply (OTG) chip
	USB_VBUSEN	Output	VBUS (5 V) supply enable signal for external power supply chip
	USB_OVRCURA, USB_OVRCURB	Input	Connect the external overcurrent detection signals to these pins. Connect the VBUS comparator signals to these pins when the OTG power supply chip is connected.
USB_ID	Input	Connect the MicroAB connector ID input signal to this pin during operation in OTG mode	
SDHI	SD0CLK	Output	SD clock output pin
	SD0CMD	I/O	Command output pin and response input signal pin
	SD0DAT0 to SD0DAT7	I/O	SD and MMC data bus pins
	SD0WP	Input	SD write-protect signal
Analog power supply	AVCC0	Input	Analog voltage supply pin
	AVSS0	Input	Analog voltage supply ground pin
	VREFH0	Input	Analog reference voltage supply pin
	VREFL0	Input	Reference power supply ground pin
	VREFH	Input	Analog reference voltage supply pin for DAC12
VREFL	Input	Analog reference ground pin for DAC12	
ADC14	AN000 to AN027	Input	Input pins for the analog signals to be processed by the ADC14
	ADTRG0	Input	Input pins for the external trigger signals that start the A/D conversion, active-low
DAC12	DA0, DA1	Output	Output pins for the analog signals to be processed by the D/A converter
Comparator output	VCOUT	Output	Comparator output pin
ACMPHS	IVREF0 to IVREF5	Input	Reference voltage input pin
	IVCMP0 to IVCMP5	Input	Analog voltage input pins
ACMPLP	COMPREF0, COMPREF1	Input	Reference voltage input pins
	COMPIN0, COMPIN1	Input	Analog voltage input pins
OPAMP	AMP0+ to AMP3+	Input	Analog voltage input pins
	AMP0- to AMP3-	Input	Analog voltage input pins
	AMP0O to AMP3O	Output	Analog voltage output pins

Function	Signal	I/O	Description
CTSU	TS00, TS01, TS03 to TS22, TS26 to TS27, TS29 to TS35	Input	Capacitive touch detection pins (touch pins)
	TSCAP	-	Secondary power supply pin for the touch driver
I/O ports	P000 to P015	I/O	General-purpose input/output pins
	P100 to P115	I/O	General-purpose input/output pins
	P200	Input	General-purpose input pin
	P201 to P206, P212, P213	I/O	General-purpose input/output pins
	P214, P215	Input	General-purpose input pins
	P300 to P315	I/O	General-purpose input/output pins
	P400 to P415	I/O	General-purpose input/output pins
	P500 to P507, P511, P512	I/O	General-purpose input/output pins
	P600 to P606, P608 to P614	I/O	General-purpose input/output pins
	P700 to P705, P708 to P713	I/O	General-purpose input/output pins
	P800 to P809	I/O	General-purpose input/output pins
	P900 to P902	I/O	General-purpose input/output pins
SLCDC	VL1, VL2, VL3, VL4	I/O	Voltage pin for driving the LCD
	CAPH, CAPL	I/O	Capacitor connection pin for the LCD controller/driver
	COM0 to COM7	Output	Common signal output pins for the LCD controller/driver
	SEG00 to SEG51	Output	Segment signal output pins for the LCD controller/driver



### 1.6 Pin Assignments

Figure 1.3 to Figure 1.9 show the pin assignments.

R7FS3A77C2A01CLK															
	A	B	C	D	E	F	G	H	J	K	L	M	N		
13	P407	P409	P412	P708	P711	VCC	P212 /EXTAL	P215 /XCIN	VCL	P702	P405	P402	P400	13	
12	USB_DM	USB_DP	P410	P414	P710	VSS	P213 /XTAL	P214 /XCOUT	VBATT	P701	P404	P511	VCC	12	
11	VCC_USB	VSS_USB	VCC_USB_LDO	P411	P415	P712	P705	P704	P703	P403	P401	P512	VSS	11	
10	P205	P206	P204	P408	P413	P709	P713	P700	P406	P003	P000	P002	P001	10	
9	P203	P313	P202	P314						P004	P006	P009	P008	9	
8	P900	P901	P200	P315						P005	AVSS0	P011 /VREFL0	P010 /VREFH0	8	
7	VSS	P902	RES	P310						P007	AVCC0	P013 /VREFL	P012 /VREFH	7	
6	VCC	P201/MD	P312	P305						P505	P506	P015	P014	6	
5	P309	P311	P308	P303	NC						P503	P504	VSS	VCC	5
4	P307	P306	P304	P109/TDO /SWO	P114	P608	P604	P600	P105	P500	P502	P501	P507	4	
3	P808	P809	P301	P112	P115	P610	P614	P603	P107	P106	P104	P803	P802	3	
2	P302	P300/TCK /SWCLK	P111	P806	P609	P612	VSS	P605	P601	P805	P800	P101	P801	2	
1	P108/TMS /SWDIO	P110/TDI	P113	P807	P611	P613	VCC	P606	P602	P804	P103	P102	P100	1	
	A	B	C	D	E	F	G	H	J	K	L	M	N		

Figure 1.3 Pin assignment for 145-pin LGA (top view)

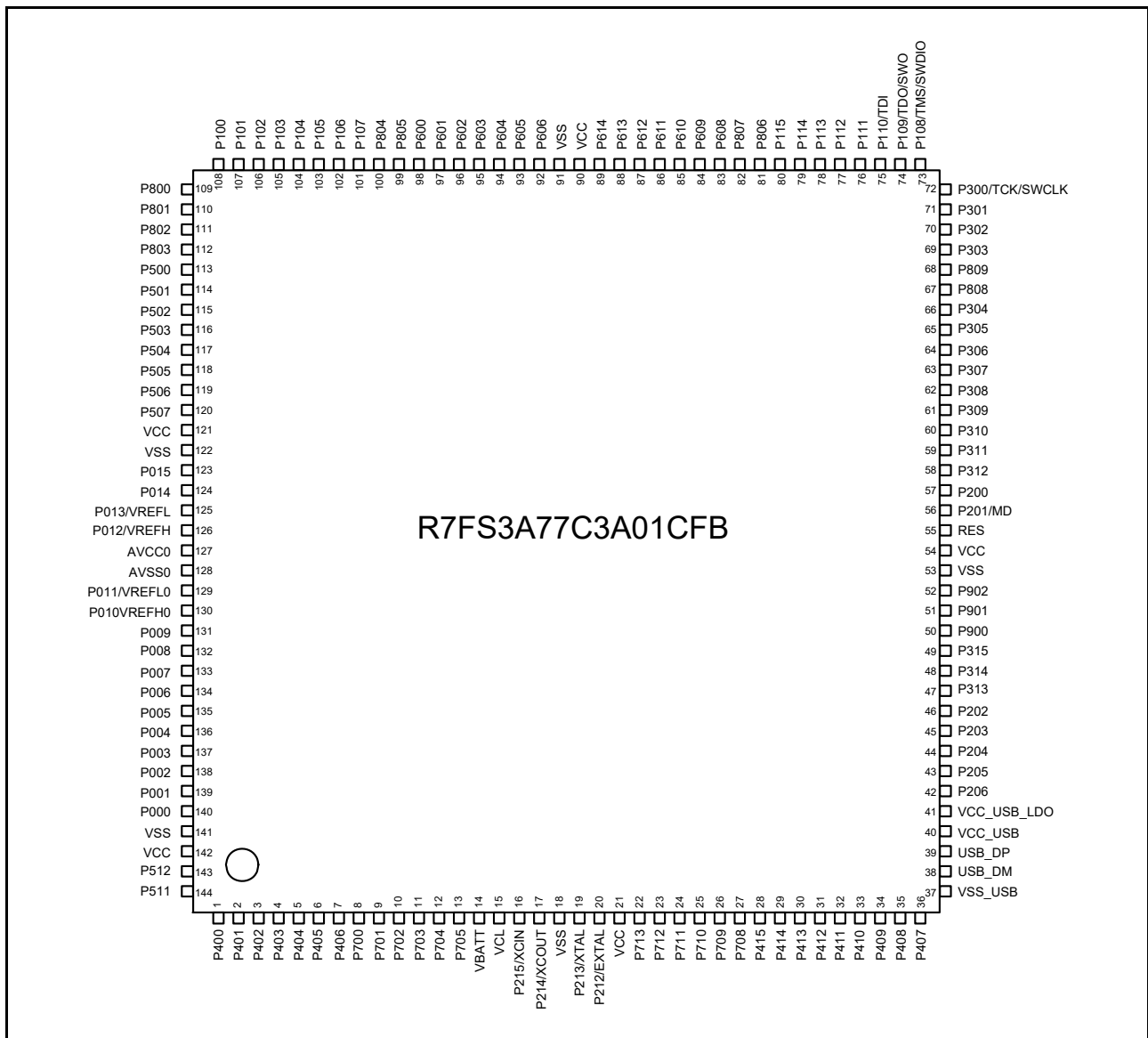


Figure 1.4 Pin assignment for 144-pin LQFP (top view)

### R7FS3A77C2A01CBJ

	A	B	C	D	E	F	G	H	J	K	L	
11	P407	P408	P411	P414	P212/ EXTAL	P215/ XCIN	VCL	P406	P403	P401	P400	11
10	USB_DM	USB_DP	P410	P415	P213/ XTAL	P214/ XCOUT	VBATT	P405	P402	P511	P512	10
9	VCC_ USB	VSS_ USB	P409	P412	P708	VCC	VSS	P404	P002	P001	P000	9
8	P205	VCC_ USB_ LDO	P206	P204	P413	P710	P702	P006	P004	P003	P005	8
7	P203	P202	P313	P314	P315	P709	P701	P007	AVSS0	P011/ VREFL0	P010/ VREFH0	7
6	VSS	VCC	RES	P201/MD	P200	NC	P700	P008	AVCC0	P013/ VREFL	P012/ VREFH	6
5	P308	P309	P307	P302	P304	P612	P601	P506	P505	P015	P014	5
4	P305	P306	P808	P114	P611	P603	P600	P504	P503	VSS	VCC	4
3	P809	P303	P110/TDI	P111	P609	P604	P106	P104	P502	P500	P501	3
2	P301	P108/ TMS/ SWDIO	P113	P608	P613	P605	P602	P105	P102	P801	P800	2
1	P300/ TCK/ SWCLK	P109/ TDO/ SWO	P112	P115	P610	VCC	VSS	P107	P103	P101	P100	1
	A	B	C	D	E	F	G	H	J	K	L	

Figure 1.5 Pin assignment for 121-pin BGA (top view)

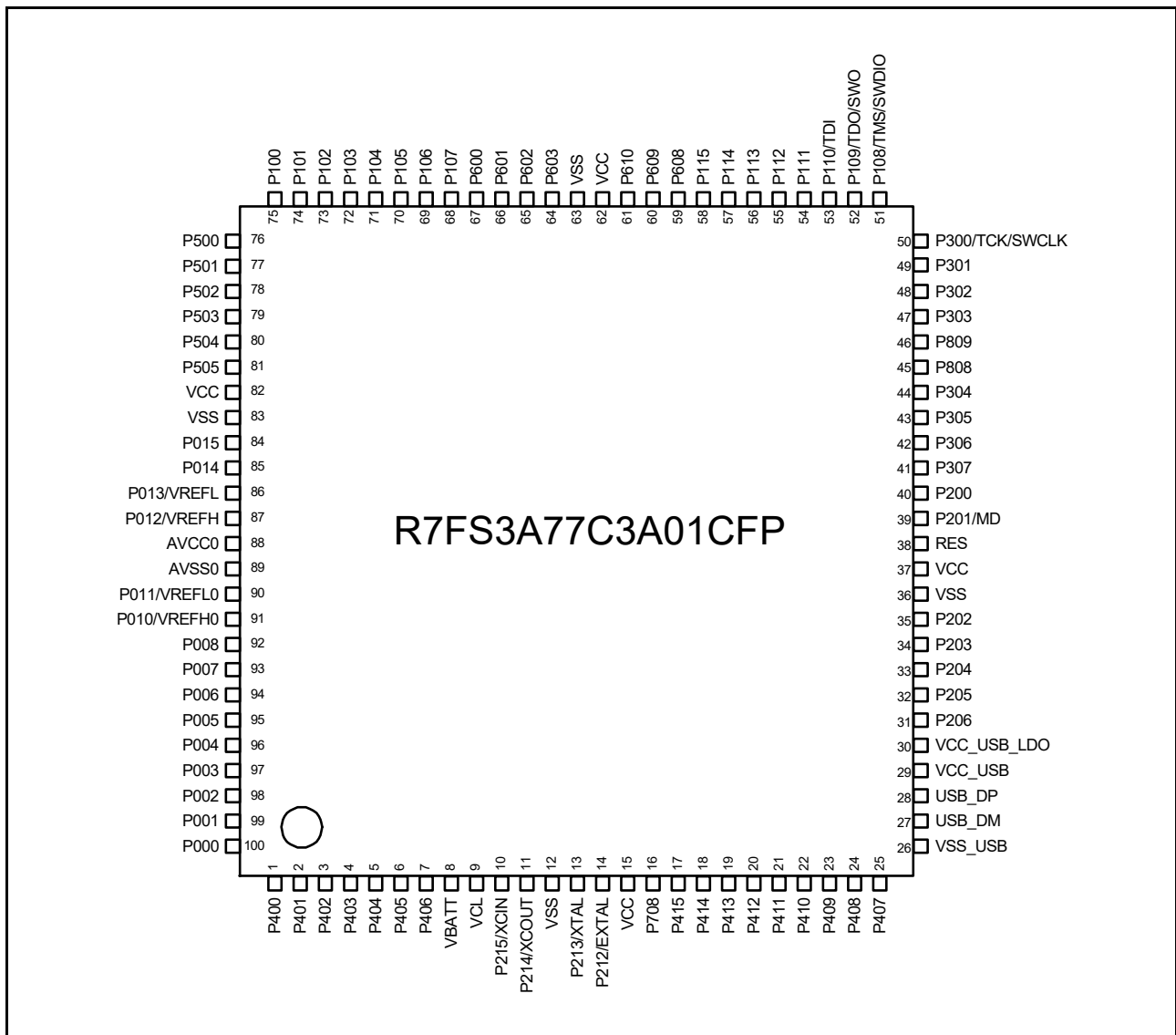


Figure 1.6 Pin assignment for 100-pin LQFP (top view)

### R7FS3A77C2A01CLJ

	A	B	C	D	E	F	G	H	J	K	
10	P407	P409	P412	VCC	P212/ EXTAL	P215/ XCIN	VCL	P403	P400	P000	10
9	USB_DM	USB_DP	P413	VSS	P213/ XTAL	P214/ XCOUT	VBATT	P405	P401	P001	9
8	VCC_USB	VSS_USB	VCC_USB B_LDO	P411	P415	P708	P404	P003	P004	P002	8
7	P205	P204	P206	P408	P414	P406	P006	P007	P008	P005	7
6	VSS	VCC	P202	P203	P410	P402	P505	AVSS0	P011/ VREFL0	P010/ VREFH0	6
5	P200	P201/MD	P307	RES	P113	P600	P504	AVCC0	P013/ VREFL	P012/ VREFH	5
4	P305	P304	P808	P306	P115	P601	P503	P100	P015	P014	4
3	P809	P303	P110/TDI	P111	P609	P602	P107	P103	VSS	VCC	3
2	P300/ TCK/ SWCLK	P302	P301	P114	P610	P603	P106	P101	P501	P502	2
1	P108/ TMS/ SWDIO	P109/ TDO/ SWO	P112	P608	VCC	VSS	P105	P104	P102	P500	1
	A	B	C	D	E	F	G	H	J	K	

Figure 1.7 Pin assignment for 100-pin LGA (top view)

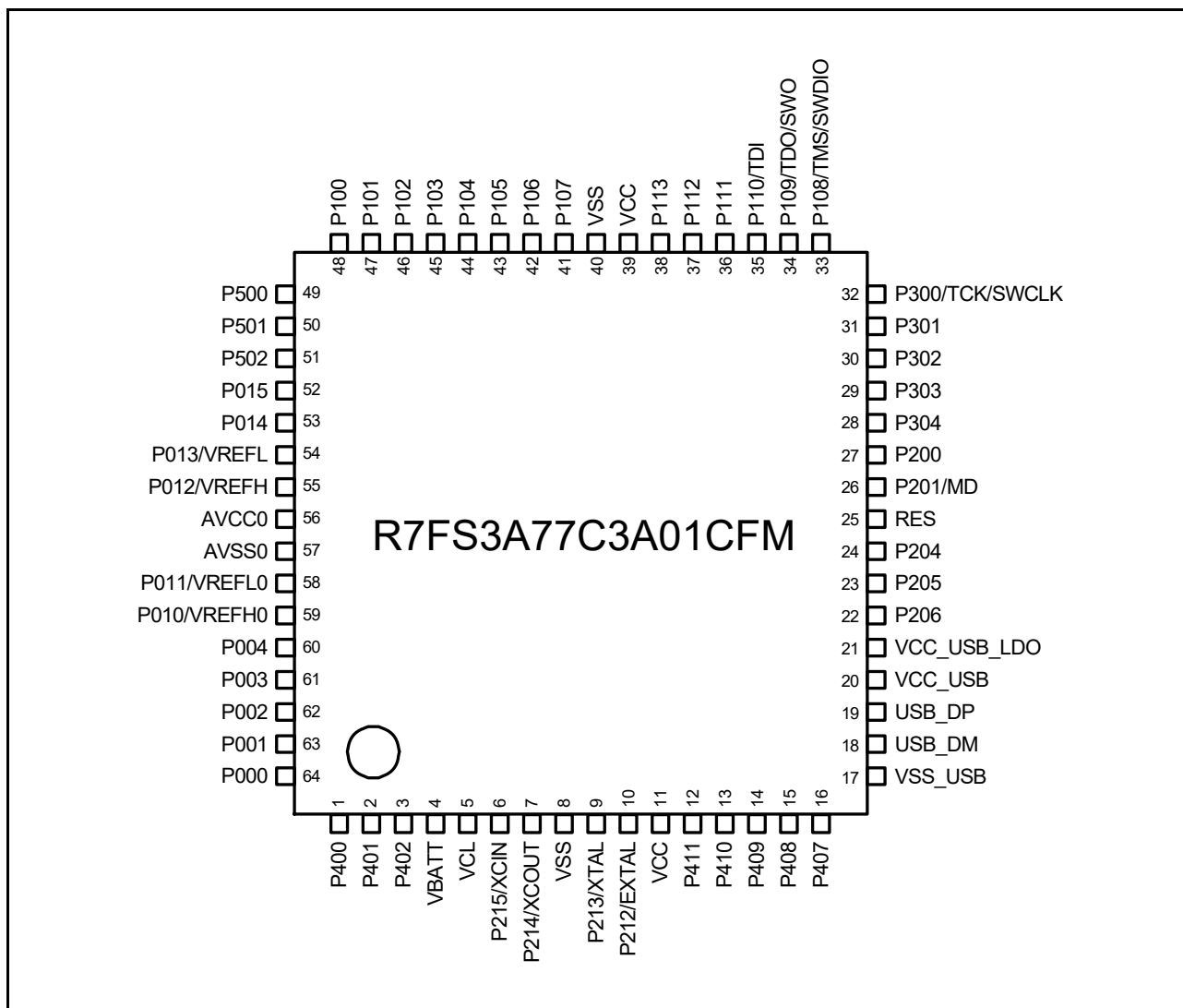
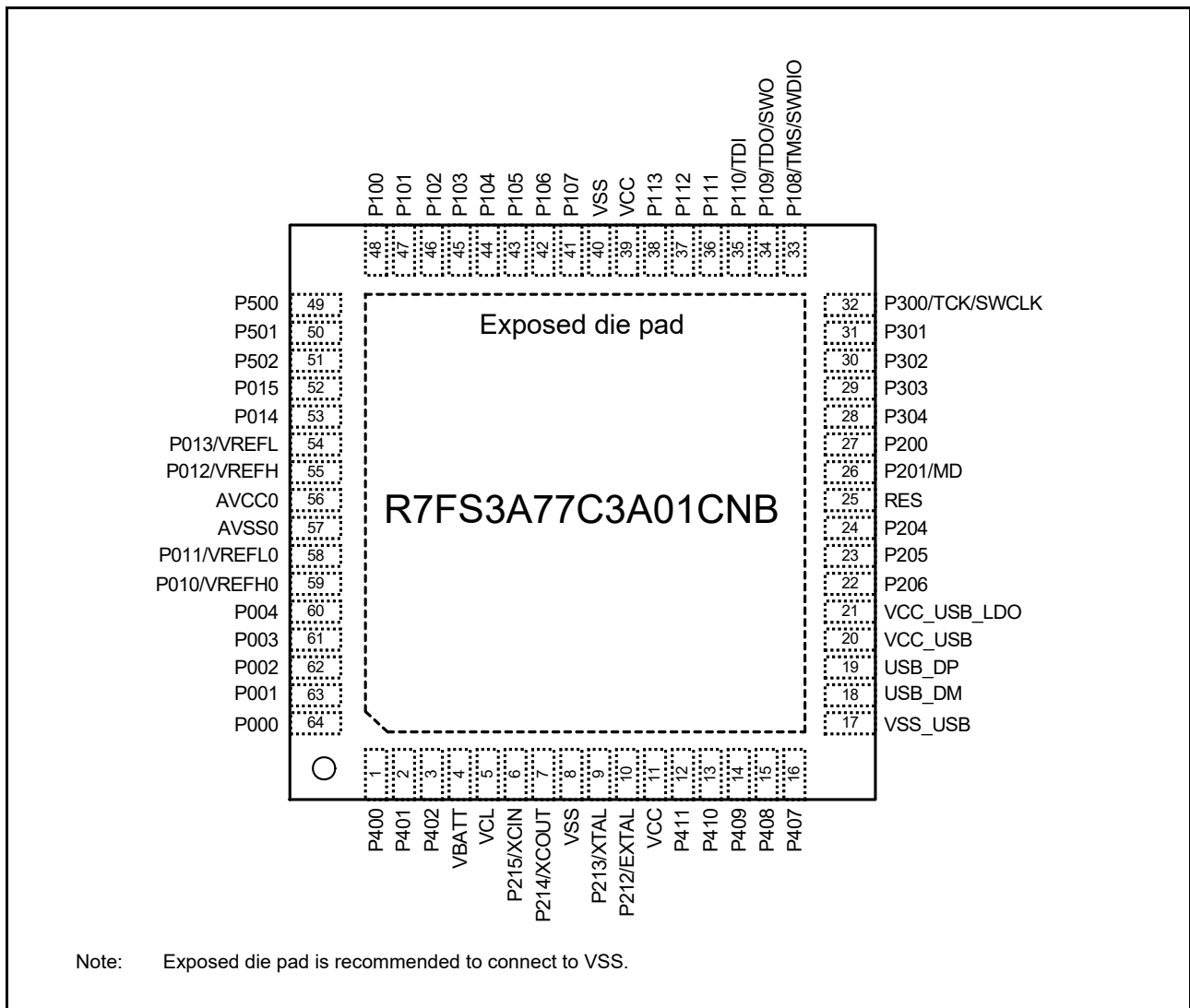


Figure 1.8 Pin assignment for 64-pin LQFP (top view)



**Figure 1.9 Pin assignment for 64-pin QFN (top view)**

1.7 Pin Lists

Pin number											Timers				Communication interfaces				Analog				HMI			
	LGA145	LQFP144	BGA121	LQFP100	LGA100	LQFP64	QFN64	Power, System, Clock, Debug, CAC, VBATT	Interrupt	I/O ports	External bus	AGT	GPT_OPS, POEG	GPT	RTC	USBFS,CAN	SCI	IIC	SPI/QSPI	SSI	SDHI	ADC14	DAC12, OPAMP	ACMPHS, ACMPLP	SLCDC	CTSU
N13	1	L11	1	J10	1	1		IRQ0	P400				GTIOC 6A_A				SCK4_ B SCL0_ A		AUDIO_ CLK						TS20	
L11	2	K11	2	J9	2	2		IRQ5	P401			GTET RGA_ B	GTIOC 6B_A		CTX0_ B		CTS4_ RTS4_ B/ SS4_ B	SDA0_ A							TS19	
M13	3	J10	3	F6	3	3	VBAT WIO0	IRQ4	P402		AGTIO 0_ B/ AGTIO 1_ B			RTCIC 0	CRX0_ B										TS18	
K11	4	J11	4	H10			VBAT WIO1		P403		AGTIO 0_ C/ AGTIO 1_ C		GTIOC 3A_B	RTCIC 1					SSISC K0_A						TS17	
L12	5	H9	5	G8			VBAT WIO2		P404				GTIOC 3B_B	RTCIC 2					SSIWS 0_A						TS16	
L13	6	H10	6	H9					P405				GTIOC 1A_B						SSITX D0_A						TS15	
J10	7	H11	7	F7					P406				GTIOC 1B_B						SSIRX D0_A						TS14	
H10	8	G6							P700				GTIOC 5A_B												TS32	
K12	9	G7							P701				GTIOC 5B_B												TS33	
K13	10	G8							P702				GTIOC 6A_B												TS34	
J11	11								P703				GTIOC 6B_B													
H11	12								P704																	
G11	13								P705																	
J12	14	G10	8	G9	4	4	VBATT																			
J13	15	G11	9	G10	5	5	VCL																			
H13	16	F11	10	F10	6	6	XCIN		P215																	
H12	17	F10	11	F9	7	7	XCOU T		P214																	
F12	18	G9	12	D9	8	8	VSS																			
G12	19	E10	13	E9	9	9	XTAL	IRQ2	P213				GTET RGC_ A					TXD1_ A/ MOS1_ A/ SDA1_ A								
G13	20	E11	14	E10	10	10	EXTAL	IRQ3	P212		AGTE E1	GTET RGD_ A						RXD1_ A/ MISO1_ A/ SCL1_ A								
F13	21	F9	15	D10	11	11	VCC																			
G10	22								P713				GTIOC 2A_B													
F11	23								P712				GTIOC 2B_B													
E13	24								P711									CTS1_ RTS1_ B/ SS1_ B								
E12	25	F8							P710									SCK1_ B							TS35	
F10	26	F7						IRQ10	P709									TXD1_ B/ MOS1_ B/ SDA1_ B							TS13	
D13	27	E9	16	F8			CACR EF_B	IRQ11	P708									RXD1_ B/ MISO1_ B/ SCL1_ B	SSLA3_ B						TS12	
E11	28	D10	17	E8					P415										SSLA2_ B						TS11	
D12	29	D11	18	E7					P414										SSLA1_ B		SD0W P				TS10	
E10	30	E8	19	C9					P413			GTOU UP_ B						CTS0_ RTS0_ B/ SS0_ B	SSLA0_ B		SD0CL K				TS09	
C13	31	D9	20	C10					P412			GTOU LO_ B						SCK0_ B	RSPC KA_ B		SD0C MD				TS08	



Pin number										Timers										Communication interfaces										Analog					HMI	
LGA145	LQFP144	BGA121	LQFP100	LGA100	LQFP64	QFN64	Power, System, Clock, Debug, CAC, VBATT	Interrupt	I/O ports	External bus	AGT	GPT_OPS, POEG	GPT	RTC	USBFS,CAN	SCI	IIC	SP/QSPI	SSI	SDHI	ADC14	DAC12, OPAMP	ACMPHS, ACMLP	SLCDC	CTSU											
D11	32	C11	21	D8	12	12		IRQ4	P411		AGT A1	GTOV UP_B	GTIOC 9A_A							SD0D AT0					TS07											
C12	33	C10	22	E6	13	13		IRQ5	P410		AGT B1	GTOV LO_B	GTIOC 9B_A							SD0D AT1					TS06											
B13	34	C9	23	B10	14	14		IRQ6	P409			GTOV UP_B			USB_E XICEN _A										TS05											
D10	35	B11	24	D7	15	15		IRQ7	P408			GTOV LO_B			USB_I D_A										TS04											
A13	36	A11	25	A10	16	16			P407				RTCO UT	USB_V BUS		SDA0_ B	SSLB3 _A			ADTR G0_B					TS03											
B11	37	B9	26	B8	17	17	VSS_U SB								USB DM																					
A12	38	A10	27	A9	18	18									USB DP																					
B12	39	B10	28	B9	19	19									USB DP																					
A11	40	A9	29	A8	20	20	VCC_ USB																													
C11	41	B8	30	C8	21	21	VCC_ USB_L DO																													
B10	42	C8	31	C7	22	22		IRQ0	P206	WAIT		GTIU_ A			USB_V BUSE N_A	RXD4_ A/ MISO4 _A/ SCL4_ _A	SDA1_ _A	SSLB1 _A	SSIDA TA1_A	SD0D AT2					TS01											
A10	43	A8	32	A7	23	23	CLKO UT_A	IRQ1	P205	A16	AGTIO 1	GTIV_ A	GTIOC 4A_B		USB_ OVRC URA	TXD4_ A/ MOSI4 _A/ SDA4_ _A/ CTS9_ RTS9_ _A/ SS9_ _A	SCL1_ _A	SSLB0 _A	SSIWS 1_A	SD0D AT3				TSCA P_A												
C10	44	D8	33	B7	24	24	CACR EF_A		P204		AGTIO 1_A	GTIW_ A	GTIOC 4B_B		USB_ OVRC URB	SCK4_ A/ SCK9_ _A	SCL0_ _B	RSPC KB_A	SSIISC K1_A	SD0D AT4				SEG23	TS00											
A9	45	A7	34	D6				IRQ2	P203				GTIOC 5A_A		CTX0_ _A	CTS2_ RTS2_ _A/ SS2_A / TXD9_ _A/ MOSI9 _A/ SDA9_ _A		MOSIB _A		SD0D AT5				SEG22	TSCA P_B											
C9	46	B7	35	C6				IRQ3	P202	WR1/ BC1			GTIOC 5B_A		CRX0_ _A	SCK2_ _A/ RXD9_ _A/ MISO9 _A/ SCL9_ _A		MISOB _A		SD0D AT6				SEG21												
B9	47	C7							P313											SD0D AT7					SEG20											
D9	48	D7							P314																SEG4											
D8	49	E7							P315																SEG5											
A8	50								P900																SEG6											
B8	51								P901																SEG7											
B7	52								P902																SEG8											
A7	53	A6	36	A6			VSS																													
A6	54	B6	37	B6			VCC																													
C7	55	C6	38	D5	25	25	RES																													
B6	56	D6	39	B5	26	26	MD		P201																											
C8	57	E6	40	A5	27	27		NMI	P200																											
C6	58								P312	CS3															SEG9											

Pin number	Pin name							Power, System, Clock, Debug, CAC, VBATT	Interrupt	I/O ports	External bus	Timers				Communication interfaces						Analog			HMI			
	LGA145	LQFP144	BGA121	LQFP100	LGA100	LQFP64	QFN64					AGT	GPT_OPS, POEG	GPT	RTC	USBFS,CAN	SCI	IIC	SPI/QSPI	SSI	SDHI	ADC14	DAC12, OPAMP	ACMPHS, ACMPLP	SLCDC	CTSU		
B5	59								P311	CS2																SEG10		
D7	60								P310	A15																	SEG11	
A5	61	B5							P309	A14																	SEG12	
C5	62	A5							P308	A13																	SEG13	
A4	63	C5	41	C5					P307	A12																	SEG14	
B4	64	B4	42	D4					P306	A11																	SEG15	
D6	65	A4	43	A4				IRQ8	P305	A10																	SEG16	
C4	66	E5	44	B4	28	28		IRQ9	P304	A09			GTIOC7A_A														SEG17	
A3	67	C4	45	C4					P808																		SEG18	
B3	68	A3	46	A3					P809																		SEG19	
D5	69	B3	47	B3	29	29			P303	A08			GTIOC7B_A														SEG3/COM7	
A2	70	D5	48	B2	30	30		IRQ5	P302	A07		GTOU UP_A	GTIOC4A_A				TXD2_A/ MOSI2_A/ SDA2_A		SSLB3_B							SEG2/COM6		
C3	71	A2	49	C2	31	31		IRQ6	P301	A06		GTOU LO_A	GTIOC4B_A				RXD2_A/ MISO2_A/ SCL2_A		SSLB2_B							SEG1/COM5		
B2	72	A1	50	A2	32	32		TCK/ SWCLK	P300				GTIOC0A_A						SSLB1_B									
A1	73	B2	51	A1	33	33		TMS/ SWDIO	P108				GTIOC0B_A				CTS9 RTS9_B/ SS9_B		SSLB0_B									
D4	74	B1	52	B1	34	34		TDO/ SWO/ CLKO UT_B	P109			GTOV UP_A	GTIOC1A_A				TXD9_B/ MOSI9_B/ SDA9_B		MOSIB_B									
B1	75	C3	53	C3	35	35		TDI	IRQ3	P110			GTOV LO_A	GTIOC1B_A			CTS2 RTS2_B/ SS2_B/ RXD9_B/ MISO9_B/ SCL9_B		MISOB_B						VCOU T			
C2	76	D3	54	D3	36	36			IRQ4	P111	A05			GTIOC3A_A			SCK2_B/ SCK9_B		RSPC KB_B								CAPH	
D3	77	C1	55	C1	37	37				P112	A04			GTIOC3B_A			TXD2_B/ MOSI2_B/ SDA2_B		SSISC K0_B								CAPL	
C1	78	C2	56	E5	38	38				P113	A03						RXD2_B/ MISO2_B/ SCL2_B		SSIWS 0_B								SEG0/COM4	
E4	79	D4	57	D2						P114	A02								SSIRX D0_B								SEG24	
E3	80	D1	58	E4						P115	A01								SSITX D0_B								SEG25	
D2	81									P806																	SEG26	
D1	82									P807																	SEG27	
F4	83	D2	59	D1						P608	A00/ BC0																SEG28	
E2	84	E3	60	E3						P609	CS1																SEG29	
F3	85	E1	61	E2						P610	CS0																SEG30	
E1	86	E4								P611																	SEG31	
F2	87	F5								P612	D08																SEG32	
F1	88	E2								P613	D09																SEG33	
G3	89									P614	D10																SEG34	
G1	90	F1	62	E1	39	39	VCC																					
G2	91	G1	63	F1	40	40	VSS																					
H1	92									P606																	SEG35	
H2	93	F2								P605	D11																SEG36	
G4	94	F3								P604	D12																SEG37	
H3	95	F4	64	F2						P603	D13																SEG38	
J1	96	G2	65	F3						P602	EBCLK																SEG39	
J2	97	G5	66	F4						P601	WR/ WR0																SEG40	
H4	98	G4	67	F5						P600	RD																SEG41	
K2	99									P805																	SEG42	
K1	100									P804																	SEG43	



Pin number	LGA145	LQFP144	BGA121	LQFP100	LGA100	LQFP64	QFN64	Power, System, Clock, Debug, CAC, VBATT	Interrupt	I/O ports	External bus	Timers				Communication interfaces					Analog			HMI			
												AGT	GPT_OPS, POEG	GPT	RTC	USBFS,CAN	SCI	IIC	SPI/QSPI	SSI	SDHI	ADC14	DAC12, OPAMP	ACMPHS, ACMPLP	SLCDC	CTSU	
K10	137	K8	97	H8	61	61				P003												AN003	AMP1 O	IVREF 3/ IVCMP 3			
M10	138	J9	98	K8	62	62			IRQ8	P002												AN002	AMP0 O	IVREF 2/ IVCMP 2			
N10	139	K9	99	K9	63	63			IRQ7	P001												AN001	AMP0-	IVREF 1/ IVCMP 1		TS22	
L10	140	L9	100	K10	64	64			IRQ6	P000												AN000	AMP0+	IVREF 0/ IVCMP 0		TS21	
N11	141							VSS																			
N12	142							VCC																			
M11	143	L10							IRQ14	P512				GTIOC 0A_B			TXD4_ B/ MOSI4 B/ SDA4_ B	SCL2									
M12	144	K10							IRQ15	P511				GTIOC 0B_B			RXD4_ B/ MISO4 B/ SCL4_ B	SDA2									
E5		F6						NC																			

Note: Some pin names have the added suffix of \_A, \_B, and \_C. The suffix can be ignored when assigning functionality.

## 2. Electrical Characteristics

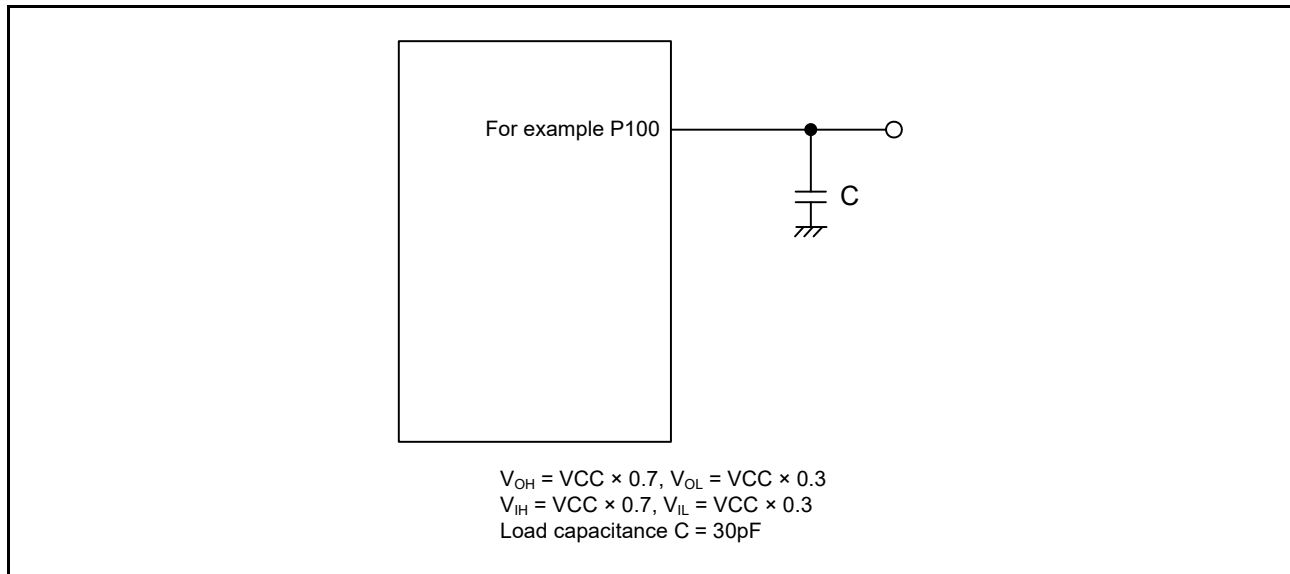
Unless otherwise specified, the electrical characteristics of the MCU are defined under the following conditions:

$VCC^{*1} = AVCC0 = VCC\_USB^{*2} = VCC\_USB\_LDO^{*2} = 1.6$  to  $5.5V$ ,  $VREFH = VREFH0 = 1.6$  to  $AVCC0$ ,  $VBATT = 1.6$  to  $3.6V$ ,  $VSS = AVSS0 = VREFL = VREFL0 = VSS\_USB = 0V$ ,  $T_a = T_{opr}$

Note 1. The typical condition is set to  $VCC = 3.3V$ .

Note 2. When USBFS is not used.

Figure 2.1 shows the timing conditions.



**Figure 2.1** Input or output timing measurement conditions

The measurement conditions of timing specification in each peripherals are recommended for the best peripheral operation. However, make sure to adjust driving abilities of each pin to meet your conditions.

Each function pin used for the same function must select the same drive ability. If the I/O drive ability of each function pin is mixed, the AC specification of each function is not guaranteed.

## 2.1 Absolute Maximum Ratings

**Table 2.1 Absolute maximum ratings**

Parameter	Symbol	Value	Unit
Power supply voltage	VCC	-0.5 to +6.5	V
Input voltage	5V-tolerant ports*1	$V_{in}$	-0.3 to +6.5
	P000 to P015	$V_{in}$	-0.3 to AVCC0 + 0.3
	Others	$V_{in}$	-0.3 to VCC + 0.3
Reference power supply voltage	VREFH0	-0.3 to +6.5	V
	VREFH		V
VBATT power supply voltage	VBATT	-0.5 to +6.5	V
Analog power supply voltage	AVCC0	-0.5 to +6.5	V
USB power supply voltage	VCC_USB	-0.5 to +6.5	V
	VCC_USB_LDO	-0.5 to +6.5	V
Analog input voltage	When AN000 to AN015 are used	$V_{AN}$	-0.3 to AVCC0 + 0.3
	When AN016 to AN027 are used		-0.3 to VCC + 0.3
LCD voltage	VL1 voltage	$V_{L1}$	-0.3 to +2.8
	VL2 voltage	$V_{L2}$	-0.3 to +6.5
	VL3 voltage	$V_{L3}$	-0.3 to +6.5
	VL4 voltage	$V_{L4}$	-0.3 to +6.5
Operating temperature*2 *3 *4	$T_{opr}$	-40 to +85	°C
		-40 to +105	°C
Storage temperature	$T_{stg}$	-55 to +125	°C

Note 1. Ports P205, P206, P400 to P404, P407, P511, P512 are 5V-tolerant.

Note 2. See [section 2.2.1, Tj/Ta Definition](#).

Note 3. Contact Renesas Electronics sales office for information on derating operation under  $T_a = +85^{\circ}\text{C}$  to  $+105^{\circ}\text{C}$ . Derating is the systematic reduction of load for improved reliability.

Note 4. The upper limit of operating temperature is  $85^{\circ}\text{C}$  or  $105^{\circ}\text{C}$ , depending on the product. For details, refer to [section 1.3, Part Numbering](#).

**Caution:** Permanent damage to the MCU may result if absolute maximum ratings are exceeded.

To preclude any malfunctions due to noise interference, insert capacitors of high frequency characteristics between the VCC and VSS pins, between the AVCC0 and AVSS0 pins, between the VCC\_USB and VSS\_USB pins, between the VREFH0 and VREFL0 pins, and between the VREFH and VREFL pins. Place capacitors of about 0.1  $\mu\text{F}$  as close as possible to every power supply pin and use the shortest and heaviest possible traces. Also, connect capacitors as stabilization capacitance.

Connect the VCL pin to a VSS pin by a 4.7  $\mu\text{F}$  capacitor. The capacitor must be placed close to the pin.

Do not input signals or an I/O pull-up power supply while the device is not powered. The current injection that results from input of such a signal or I/O pull-up might cause malfunction and the abnormal current that passes in the device at this time might cause degradation of internal elements.

**Table 2.2 Recommended operating conditions**

Parameter	Symbol	Value	Min	Typ	Max	Unit
Power supply voltages	VCC*1, *2	When USBFS is not used	1.6	-	5.5	V
		When USBFS is used USB Regulator Disable	VCC_USB	-	3.6	V
		When USBFS is used USB Regulator Enable	VCC_USB _LDO	-	5.5	V
	VSS	-	0	-	V	
USB power supply voltages	VCC_USB	When USBFS is not used	-	VCC	-	V
		When USBFS is used USB Regulator Disable (Input)	3.0	3.3	3.6	V
	VCC_USB_LDO	When USBFS is not used	-	VCC	-	V
		When USBFS is used USB Regulator Disable	-	VCC	-	V
		When USBFS is used USB Regulator Enable	3.8	-	5.5	V
	VSS_USB	-	0	-	V	
VBATT power supply voltage	VBATT	When the battery backup function is not used	-	VCC	-	V
		When the battery backup function is used	1.6	-	3.6	V
Analog power supply voltages	AVCC0*1, *2		1.6	-	5.5	V
	AVSS0		-	0	-	V
	VREFH0	When used as ADC14 Reference	1.6	-	AVCC0	V
	VREFL0		-	0	-	V
	VREFH	When used as DAC12 Reference	1.6	-	AVCC0	V
	VREFL		-	0	-	V

Note 1. Use AVCC0 and VCC under the following conditions:

AVCC0 and VCC can be set individually within the operating range when  $VCC \geq 2.2\text{ V}$  and  $AVCC0 \geq 2.2\text{ V}$   
 $AVCC0 = VCC$  when  $VCC < 2.2\text{ V}$  or  $AVCC0 < 2.2\text{ V}$

Note 2. When powering on the VCC and AVCC0 pins, power them on at the same time or the VCC pin first and then the AVCC0 pin.

## 2.2 DC Characteristics

### 2.2.1 T<sub>j</sub>/T<sub>a</sub> Definition

**Table 2.3 DC Characteristics**

 Conditions: Products with operating temperature (T<sub>a</sub>) –40 to +105°C

Parameter	Symbol	Typ	Max	Unit	Test conditions
Permissible junction temperature	T <sub>j</sub>	-	125	°C	High-speed mode Middle-speed mode Low-voltage mode Low-speed mode Subosc-speed mode
			105*1		

Note: Make sure that  $T_j = T_a + \theta_{ja} \times \text{total power consumption (W)}$ , where total power consumption =  $(V_{CC} - V_{OH}) \times \Sigma I_{OH} + V_{OL} \times \Sigma I_{OL} + I_{CCmax} \times V_{CC}$ .

Note 1. The upper limit of operating temperature is 85°C or 105°C, depending on the product. For details, see [section 1.3, Part Numbering](#). If the part number shows the operation temperature as 85°C, then T<sub>j</sub> max is 105°C, otherwise it is 125°C.

### 2.2.2 I/O V<sub>IH</sub>, V<sub>IL</sub>

**Table 2.4 I/O V<sub>IH</sub>, V<sub>IL</sub> (1)**

Conditions: VCC = 2.7 to 5.5 V, AVCC0 = 2.7 to 5.5 V, VBATT = 1.6 to 3.6 V, VSS = AVSS0 = 0 V

Parameter		Symbol	Min	Typ	Max	Unit	Test conditions
Schmitt trigger input voltage	IIC*1 (except for SMBus)	V <sub>IH</sub>	VCC × 0.7	-	5.8	V	-
		V <sub>IL</sub>	-	-	VCC × 0.3		
		ΔV <sub>T</sub>	VCC × 0.05	-	-		
	RES, NMI Other peripheral input pins excluding IIC	V <sub>IH</sub>	VCC × 0.8	-	-		
		V <sub>IL</sub>	-	-	VCC × 0.2		
		ΔV <sub>T</sub>	VCC × 0.1	-	-		
Input voltage (except for Schmitt trigger input pin)	IIC (SMBus)*2	V <sub>IH</sub>	2.2	-	-		VCC = 3.6 to 5.5 V
		V <sub>IH</sub>	2.0	-	-		VCC = 2.7 to 3.6 V
		V <sub>IL</sub>	-	-	0.8		
		5V-tolerant ports*3	V <sub>IH</sub>	VCC × 0.8	-		5.8
			V <sub>IL</sub>	-	-		VCC × 0.2
		P000 to P015	V <sub>IH</sub>	AVCC0 × 0.8	-		-
	V <sub>IL</sub>		-	-	AVCC0 × 0.2		
	EXTAL D00 to D15 Input ports pins except for P000 to P015	V <sub>IH</sub>	VCC × 0.8	-	-		
		V <sub>IL</sub>	-	-	VCC × 0.2		
	When V <sub>BATT</sub> power supply is selected	P402, P403, P404	V <sub>IH</sub>	V <sub>BATT</sub> × 0.8	-		V <sub>BATT</sub> + 0.3
			V <sub>IL</sub>	-	-		V <sub>BATT</sub> × 0.2
			ΔV <sub>T</sub>	V <sub>BATT</sub> × 0.05	-		-

Note 1. SCL0\_A, SDA0\_A, SCL1\_A, SDA1\_A, SCL2, SDA2, SDA0\_B (total 7 pins).

Note 2. SCL0\_A, SDA0\_A, SCL0\_B, SDA0\_B, SCL1\_A, SDA1\_A, SCL1\_B, SDA1\_B, SCL2, SDA2 (total 10 pins).

Note 3. P205, P206, P400 to P404, P407, P511, P512 (total 10 pins).



**Table 2.5 I/O  $V_{IH}$ ,  $V_{IL}$  (2)**Conditions:  $V_{CC} = 1.6$  to  $2.7$  V,  $AV_{CC0} = 1.6$  to  $2.7$  V,  $V_{BATT} = 1.6$  to  $3.6$  V,  $V_{SS} = AV_{SS0} = 0$  V

Parameter		Symbol	Min	Typ	Max	Unit	Test conditions
Schmitt trigger input voltage	RES, NMI Peripheral input pins	$V_{IH}$	$V_{CC} \times 0.8$	-	-	V	-
		$V_{IL}$	-	-	$V_{CC} \times 0.2$		
		$\Delta V_T$	$V_{CC} \times 0.01$	-	-		
Input voltage (except for Schmitt trigger input pin)	5V-tolerant ports*1	$V_{IH}$	$V_{CC} \times 0.8$	-	5.8		
		$V_{IL}$	-	-	$V_{CC} \times 0.2$		
	P000 to P015	$V_{IH}$	$AV_{CC0} \times 0.8$	-	-		
		$V_{IL}$	-	-	$AV_{CC0} \times 0.2$		
	EXTAL D0 to D15 Input ports pins except for P000 to P015	$V_{IH}$	$V_{CC} \times 0.8$	-	-		
		$V_{IL}$	-	-	$V_{CC} \times 0.2$		
When $V_{BATT}$ power supply is selected	P402, P403, P404	$V_{IH}$	$V_{BATT} \times 0.8$	-	$V_{BATT} + 0.3$		
		$V_{IL}$	-	-	$V_{BATT} \times 0.2$		
		$\Delta V_T$	$V_{BATT} \times 0.01$	-	-		

Note 1. P205, P206, P400 to P404, P407, P511, P512 (total 10 pins)

2.2.3 I/O  $I_{OH}$ ,  $I_{OL}$ **Table 2.6** I/O  $I_{OH}$ ,  $I_{OL}$ Conditions:  $V_{CC} = AV_{CC0} = 1.6$  to  $5.5$  V

Parameter		Symbol	Min	Typ	Max	Unit	
Permissible output current (average value per pin)	Ports P000 to P015, Ports P212, P213	-	$I_{OH}$	-	-	-4.0	mA
			$I_{OL}$	-	-	4.0	mA
	Ports P408, P409	Low drive*1	$I_{OH}$	-	-	-4.0	mA
			$I_{OL}$	-	-	4.0	mA
		Middle drive*2 VCC = 2.7 to 3.0 V	$I_{OH}$	-	-	-8.0	mA
			$I_{OL}$	-	-	8.0	mA
		Middle drive*2 VCC = 3.0 to 5.5 V	$I_{OH}$	-	-	-20.0	mA
			$I_{OL}$	-	-	20.0	mA
	Ports P100 to P115, P201 to P204, P300 to P315, P500 to P503, P600 to P606, P608 to P614, P800 to P809, P900 to P902 (total 67 pins)	Low drive*1	$I_{OH}$	-	-	-4.0	mA
			$I_{OL}$	-	-	4.0	mA
		Middle drive*2	$I_{OH}$	-	-	-4.0	mA
			$I_{OL}$	-	-	8.0	mA
	Other output pin*3	Low drive*1	$I_{OH}$	-	-	-4.0	mA
			$I_{OL}$	-	-	4.0	mA
		Middle drive*2	$I_{OH}$	-	-	-8.0	mA
			$I_{OL}$	-	-	8.0	mA
Permissible output current (Max value per pin)	Ports P000 to P015, Ports P212, P213	-	$I_{OH}$	-	-	-4.0	mA
			$I_{OL}$	-	-	4.0	mA
	Ports P408, P409	Low drive*1	$I_{OH}$	-	-	-4.0	mA
			$I_{OL}$	-	-	4.0	mA
		Middle drive*2 VCC = 2.7 to 3.0 V	$I_{OH}$	-	-	-8.0	mA
			$I_{OL}$	-	-	8.0	mA
		Middle drive*2 VCC = 3.0 to 5.5 V	$I_{OH}$	-	-	-20.0	mA
			$I_{OL}$	-	-	20.0	mA
	Ports P100 to P115, P201 to P204, P300 to P315, P500 to P503, P600 to P606, P608 to P614, P800 to P809, P900 to P902 (total 67 pins)	Low drive*1	$I_{OH}$	-	-	-4.0	mA
			$I_{OL}$	-	-	4.0	mA
		Middle drive*2	$I_{OH}$	-	-	-4.0	mA
			$I_{OL}$	-	-	8.0	mA
	Other output pin*3	Low drive*1	$I_{OH}$	-	-	-4.0	mA
			$I_{OL}$	-	-	4.0	mA
		Middle drive*2	$I_{OH}$	-	-	-8.0	mA
			$I_{OL}$	-	-	8.0	mA
Permissible output current (max value total pins)	Total of ports P000 to P015	$\Sigma I_{OH}(\max)$	-	-	-30	mA	
		$\Sigma I_{OL}(\max)$	-	-	30	mA	
	Total of all output pin	$\Sigma I_{OH}(\max)$	-	-	-60	mA	
		$\Sigma I_{OL}(\max)$	-	-	60	mA	

**Caution:** To protect the reliability of the MCU, the output current values should not exceed the values in this table. The average output current indicates the average value of current measured during 100  $\mu$ s.

Note 1. This is the value when low driving ability is selected with the Port Drive Capability bit in PmnPFS register.

Note 2. This is the value when middle driving ability is selected with the Port Drive Capability bit in PmnPFS register.

Note 3. Except for ports P200, P214, P215, which are input ports.

2.2.4 I/O  $V_{OH}$ ,  $V_{OL}$ , and Other Characteristics**Table 2.7** I/O  $V_{OH}$ ,  $V_{OL}$  (1)Conditions:  $V_{CC} = AV_{CC0} = 4.0$  to  $5.5$  V

Parameter		Symbol	Min	Typ	Max	Unit	Test conditions	
Output voltage	IIC*1, *2	$V_{OL}$	-	-	0.4	V	$I_{OL} = 3.0$ mA	
		$V_{OL}$	-	-	0.6		$I_{OL} = 6.0$ mA	
	Ports P408, P409*2, *3	$V_{OH}$	$V_{CC} - 1.0$	-	-		$I_{OH} = -20$ mA	
		$V_{OL}$	-	-	1.0		$I_{OL} = 20$ mA	
	Ports P000 to P015	Low drive	$V_{OH}$	$AV_{CC0} - 0.8$	-		-	$I_{OH} = -2.0$ mA
			$V_{OL}$	-	-		0.8	$I_{OL} = 2.0$ mA
		Middle drive	$V_{OH}$	$AV_{CC0} - 0.8$	-		-	$I_{OH} = -4.0$ mA
			$V_{OL}$	-	-		0.8	$I_{OL} = 4.0$ mA
	Other output pins*4	Low drive	$V_{OH}$	$V_{CC} - 0.8$	-		-	$I_{OH} = -2.0$ mA
			$V_{OL}$	-	-		0.8	$I_{OL} = 2.0$ mA
		Middle drive*5	$V_{OH}$	$V_{CC} - 0.8$	-		-	$I_{OH} = -4.0$ mA
			$V_{OL}$	-	-		0.8	$I_{OL} = 4.0$ mA

Note 1. SCL0\_A, SDA0\_A, SCL0\_B, SDA0\_B, SCL1\_A, SDA1\_A, SCL1\_B, SDA1\_B, SCL2, SDA2 (total 10 pins).

Note 2. This is the value when middle driving ability is selected with the Port Drive Capability bit in PmnPFS register.

Note 3. Based on characterization data, not tested in production.

Note 4. Except for ports P200, P214, P215, which are input ports.

Note 5. Except for P212, P213.

**Table 2.8** I/O  $V_{OH}$ ,  $V_{OL}$  (2)Conditions:  $V_{CC} = AV_{CC0} = 2.7$  to  $4.0$  V

Parameter		Symbol	Min	Typ	Max	Unit	Test conditions	
Output voltage	IIC*1, *2	$V_{OL}$	-	-	0.4	V	$I_{OL} = 3.0$ mA	
		$V_{OL}$	-	-	0.6		$I_{OL} = 6.0$ mA	
	Ports P408, P409*2, *3	$V_{OH}$	$V_{CC} - 1.0$	-	-		$I_{OH} = -20$ mA $V_{CC} = 3.3$ V	
		$V_{OL}$	-	-	1.0		$I_{OL} = 20$ mA $V_{CC} = 3.3$ V	
	Ports P000 to P015	Low drive	$V_{OH}$	$AV_{CC0} - 0.5$	-		-	$I_{OH} = -1.0$ mA
			$V_{OL}$	-	-		0.5	$I_{OL} = 1.0$ mA
		Middle drive	$V_{OH}$	$AV_{CC0} - 0.5$	-		-	$I_{OH} = -2.0$ mA
			$V_{OL}$	-	-		0.5	$I_{OL} = 2.0$ mA
	Other output pins*4	Low drive	$V_{OH}$	$V_{CC} - 0.5$	-		-	$I_{OH} = -1.0$ mA
			$V_{OL}$	-	-		0.5	$I_{OL} = 1.0$ mA
		Middle drive*5	$V_{OH}$	$V_{CC} - 0.5$	-		-	$I_{OH} = -2.0$ mA
			$V_{OL}$	-	-		0.5	$I_{OL} = 2.0$ mA

Note 1. SCL0\_A, SDA0\_A, SCL0\_B, SDA0\_B, SCL1\_A, SDA1\_A, SCL1\_B, SDA1\_B, SCL2, SDA2 (total 10 pins).

Note 2. This is the value when middle driving ability is selected with the Port Drive Capability bit in PmnPFS register.

Note 3. Based on characterization data, not tested in production.

Note 4. Except for ports P200, P214, P215, which are input ports.

Note 5. Except for P212, P213.

**Table 2.9 I/O  $V_{OH}$ ,  $V_{OL}$  (3)**Conditions:  $V_{CC} = AV_{CC0} = 1.6$  to  $2.7$  V

Parameter			Symbol	Min	Typ	Max	Unit	Test conditions
Output voltage	Ports P000 to P015	Low drive	$V_{OH}$	$AV_{CC0} - 0.3$	-	-	V	$I_{OH} = -0.5$ mA
			$V_{OL}$	-	-	0.3		$I_{OL} = 0.5$ mA
		Middle drive	$V_{OH}$	$AV_{CC0} - 0.3$	-	-		$I_{OH} = -1.0$ mA
			$V_{OL}$	-	-	0.3		$I_{OL} = 1.0$ mA
	Other output pins*1	Low drive	$V_{OH}$	$V_{CC} - 0.3$	-	-		$I_{OH} = -0.5$ mA
			$V_{OL}$	-	-	0.3		$I_{OL} = 0.5$ mA
		Middle drive*2	$V_{OH}$	$V_{CC} - 0.3$	-	-		$I_{OH} = -1.0$ mA
			$V_{OL}$	-	-	0.3		$I_{OL} = 1.0$ mA

Note 1. Except for ports P200, P214, P215, which are input ports.

Note 2. Except for P212, P213.

**Table 2.10 I/O Other Characteristics**Conditions:  $V_{CC} = AV_{CC0} = 1.6$  to  $5.5$  V

Parameter		Symbol	Min	Typ	Max	Unit	Test conditions
Input leakage current	RES, P200, P214, P215	$ I_{in} $	-	-	1.0	$\mu$ A	$V_{in} = 0$ V $V_{in} = V_{CC}$
Three-state leakage current (off state)	5V-tolerant ports	$ I_{TSI} $	-	-	1.0	$\mu$ A	$V_{in} = 0$ V $V_{in} = 5.8$ V
	Other ports (except for ports P200, P214, P215 and 5 V tolerant)		-	-	1.0		$V_{in} = 0$ V $V_{in} = V_{CC}$
Input pull-up resistor	All Ports (except for ports P200, P214, P215)	$R_U$	10	20	50	k $\Omega$	$V_{in} = 0$ V
Input capacitance	USB_DP, USB_DM, P100 to P103, P111, P112, P200	$C_{in}$	-	-	30	pF	$V_{in} = 0$ V $f = 1$ MHz $T_a = 25^\circ$ C
	Other input pins		-	-	15		

2.2.5 I/O Pin Output Characteristics of Low Drive Capacity

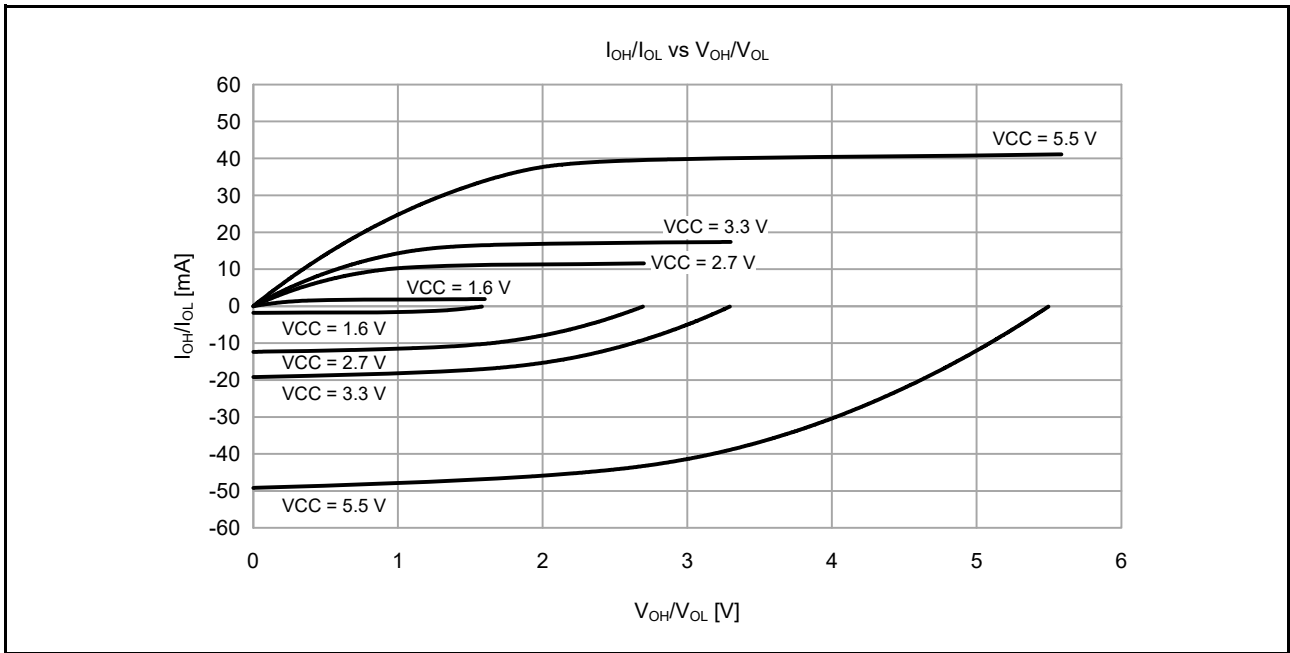


Figure 2.2  $V_{OH}/V_{OL}$  and  $I_{OH}/I_{OL}$  voltage characteristics at  $T_a = 25^\circ\text{C}$  when low drive output is selected (reference data)

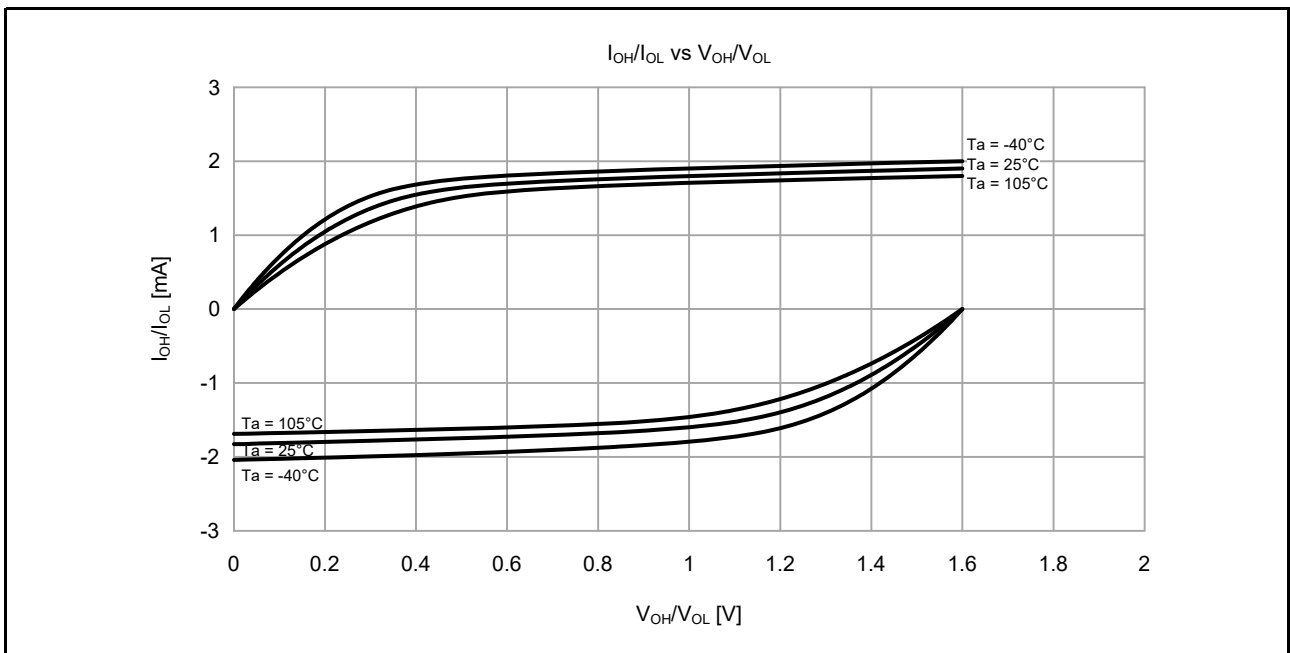


Figure 2.3  $V_{OH}/V_{OL}$  and  $I_{OH}/I_{OL}$  temperature characteristics at  $V_{CC} = 1.6\text{V}$  when low drive output is selected (reference data)

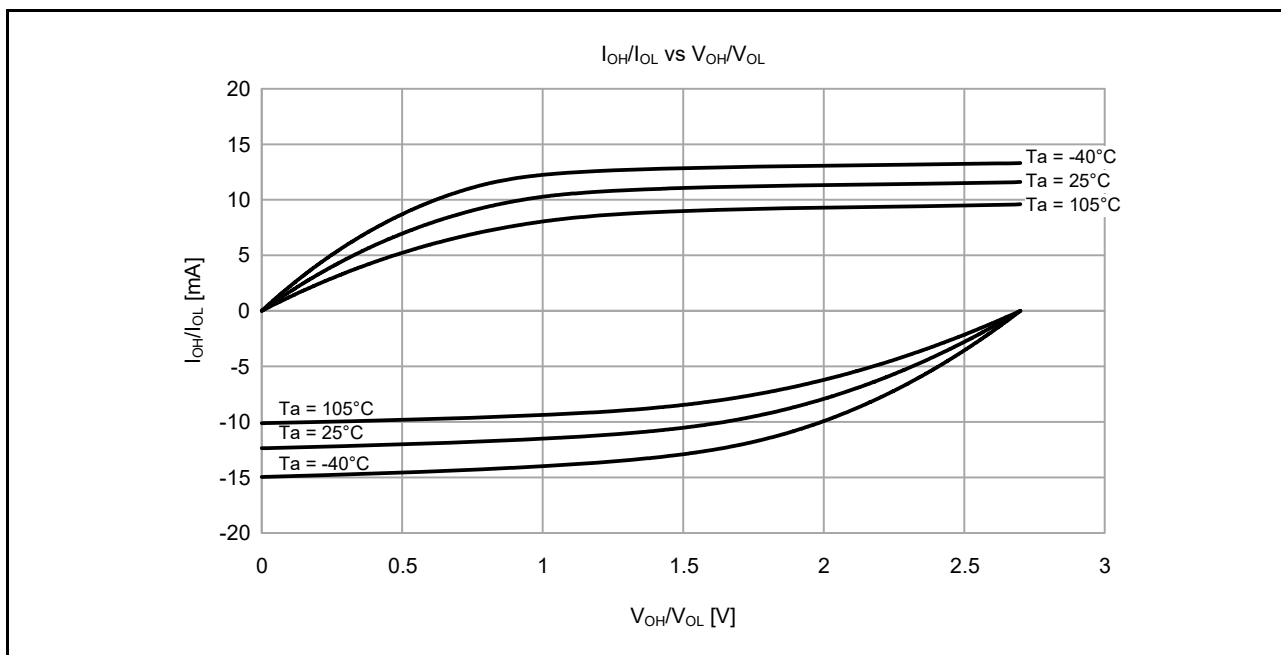


Figure 2.4  $V_{OH}/V_{OL}$  and  $I_{OH}/I_{OL}$  temperature characteristics at  $V_{CC} = 2.7$  V when low drive output is selected (reference data)

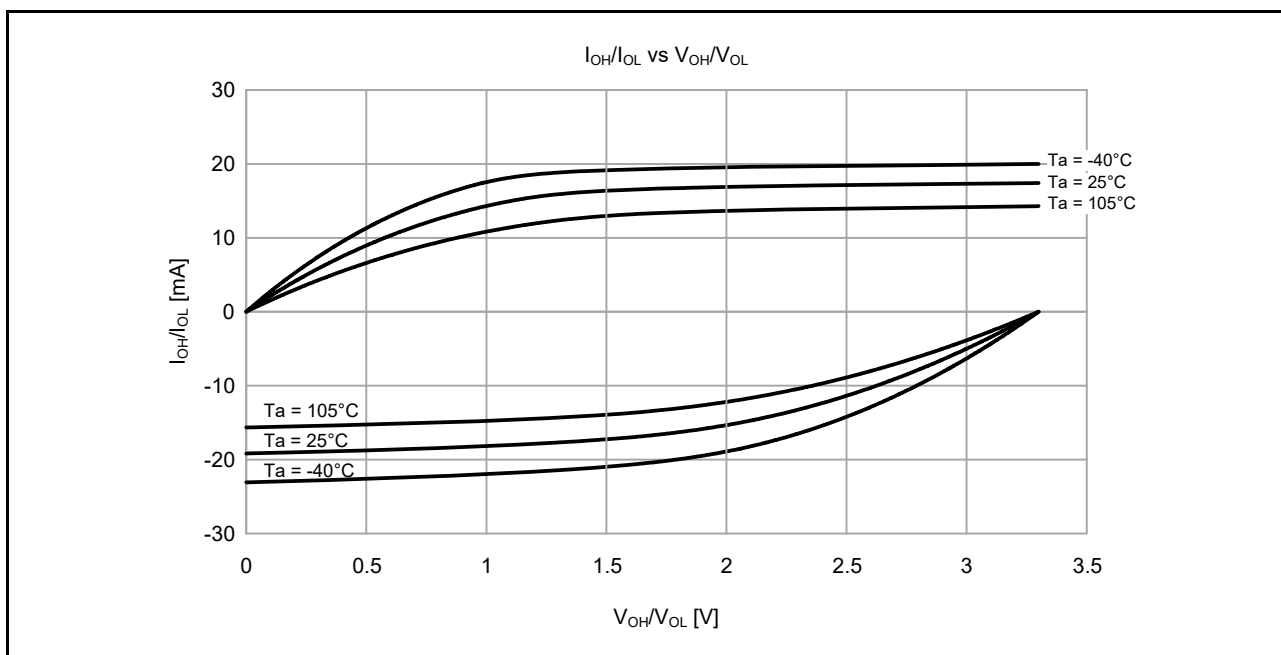


Figure 2.5  $V_{OH}/V_{OL}$  and  $I_{OH}/I_{OL}$  temperature characteristics at  $V_{CC} = 3.3$  V when low drive output is selected (reference data)

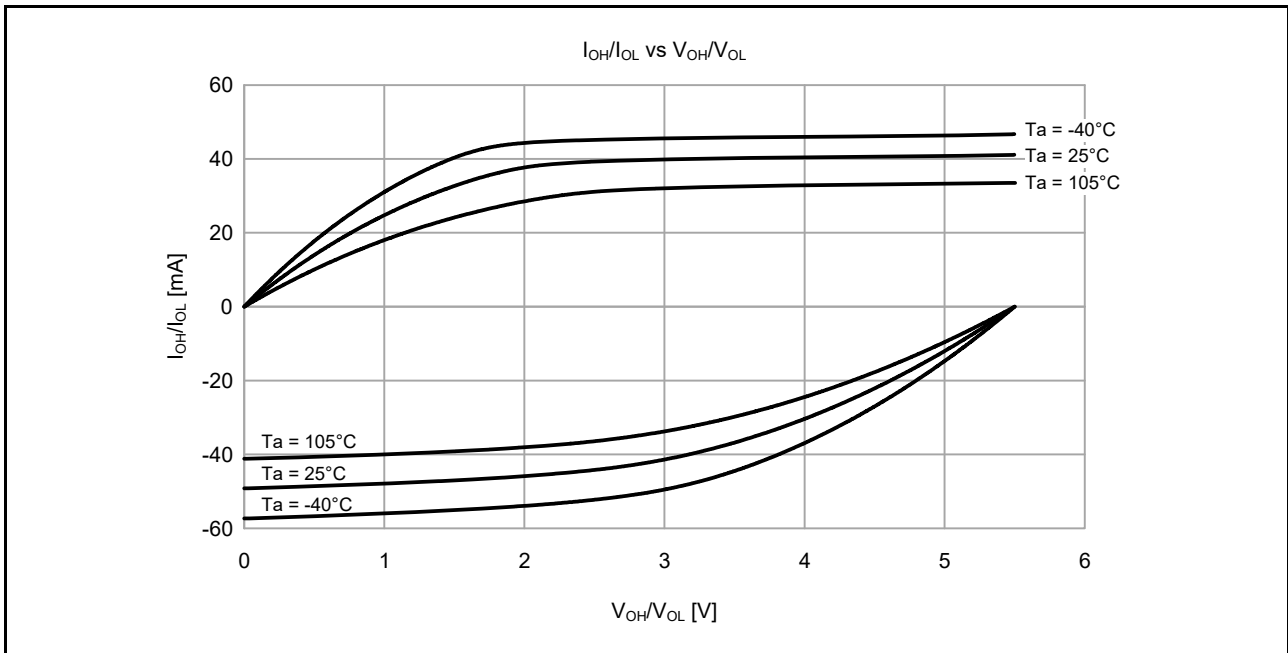


Figure 2.6  $V_{OH}/V_{OL}$  and  $I_{OH}/I_{OL}$  temperature characteristics at  $V_{CC} = 5.5\text{ V}$  when low drive output is selected (reference data)

2.2.6 I/O Pin Output Characteristics of Middle Drive Capacity

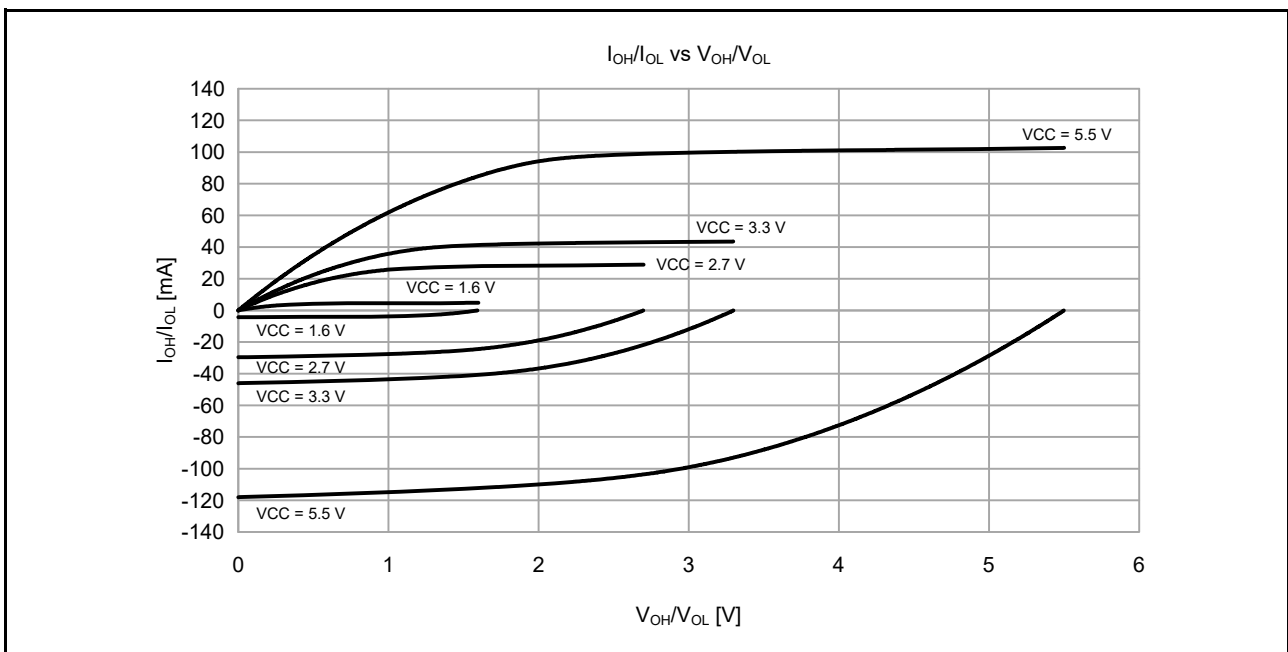


Figure 2.7  $V_{OH}/V_{OL}$  and  $I_{OH}/I_{OL}$  voltage characteristics at  $T_a = 25^\circ\text{C}$  when middle drive output is selected (reference data)

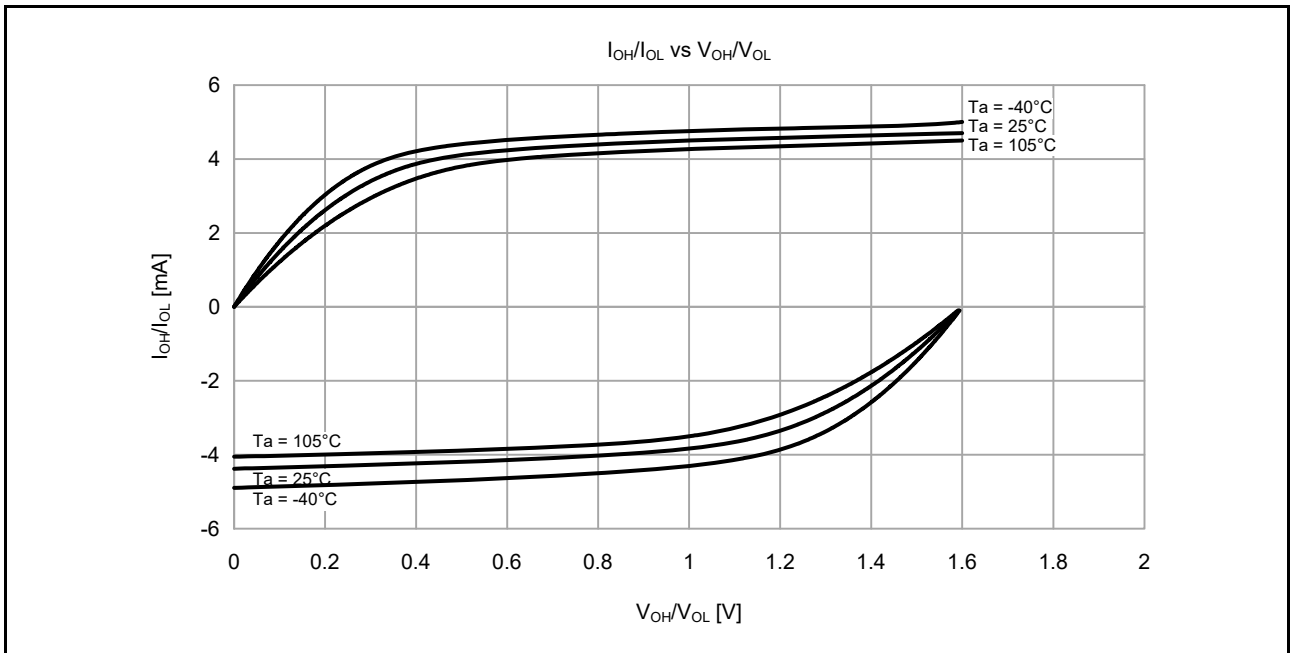


Figure 2.8  $V_{OH}/V_{OL}$  and  $I_{OH}/I_{OL}$  temperature characteristics at  $V_{CC} = 1.6$  V when middle drive output is selected (reference data)

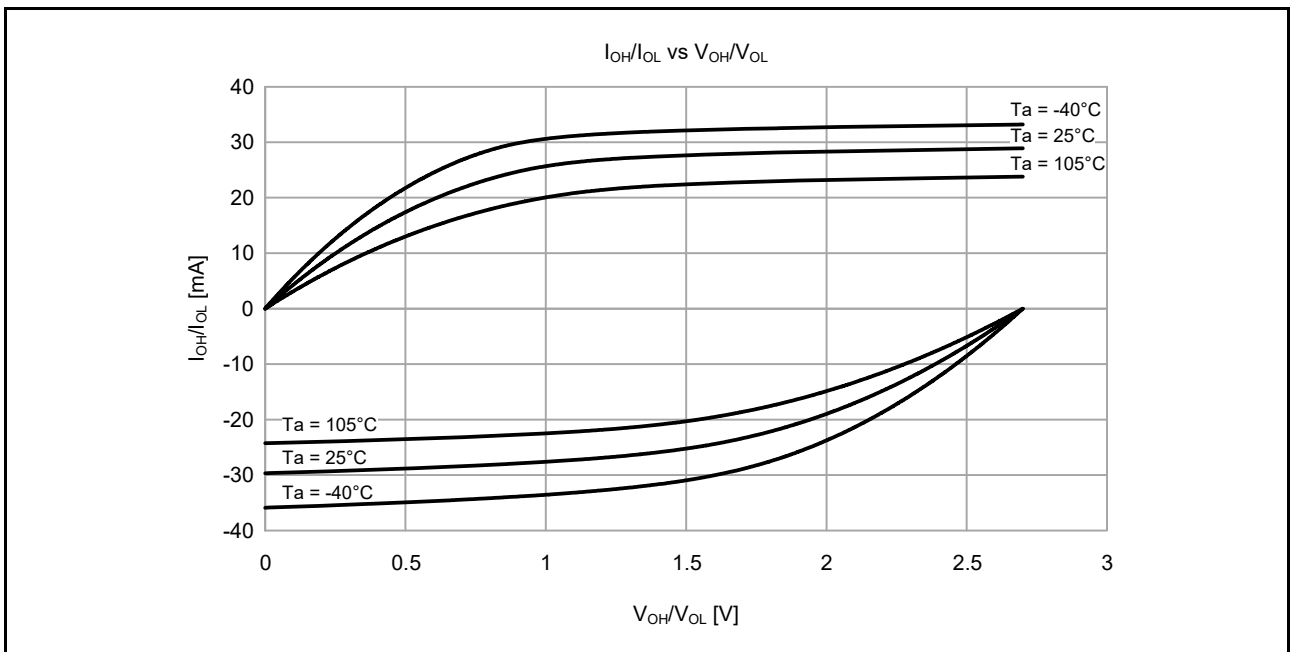


Figure 2.9  $V_{OH}/V_{OL}$  and  $I_{OH}/I_{OL}$  temperature characteristics at  $V_{CC} = 2.7$  V when middle drive output is selected (reference data)



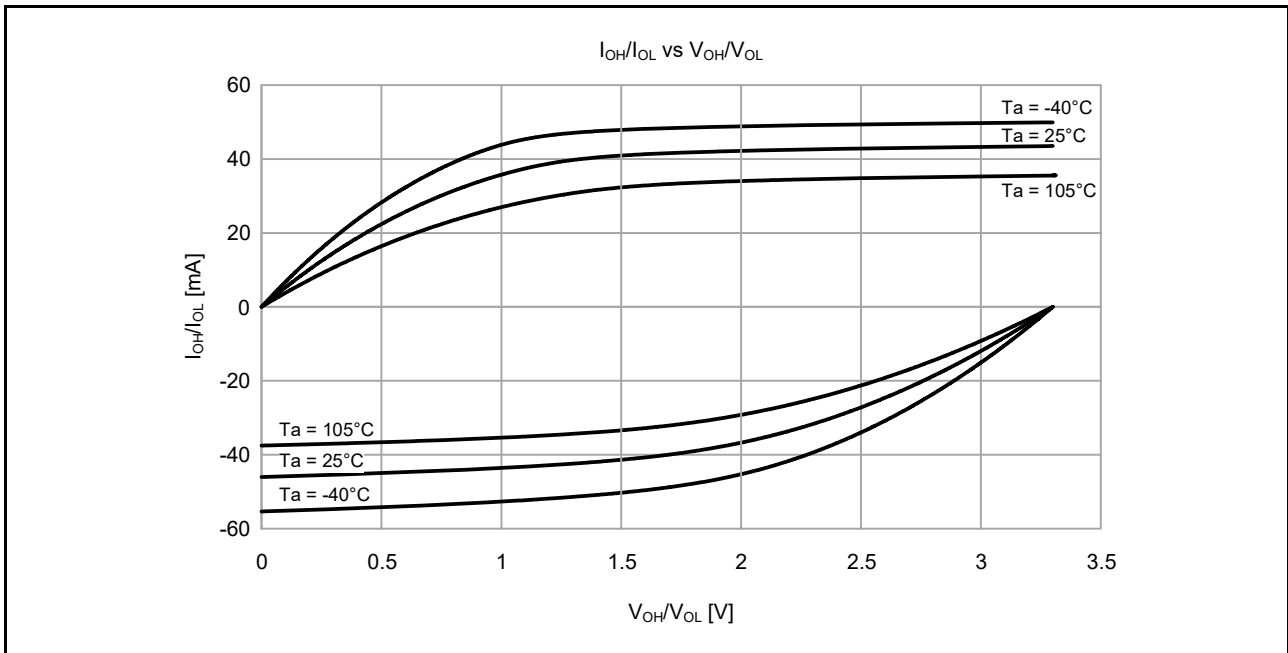


Figure 2.10  $V_{OH}/V_{OL}$  and  $I_{OH}/I_{OL}$  temperature characteristics at  $V_{CC} = 3.3$  V when middle drive output is selected (reference data)

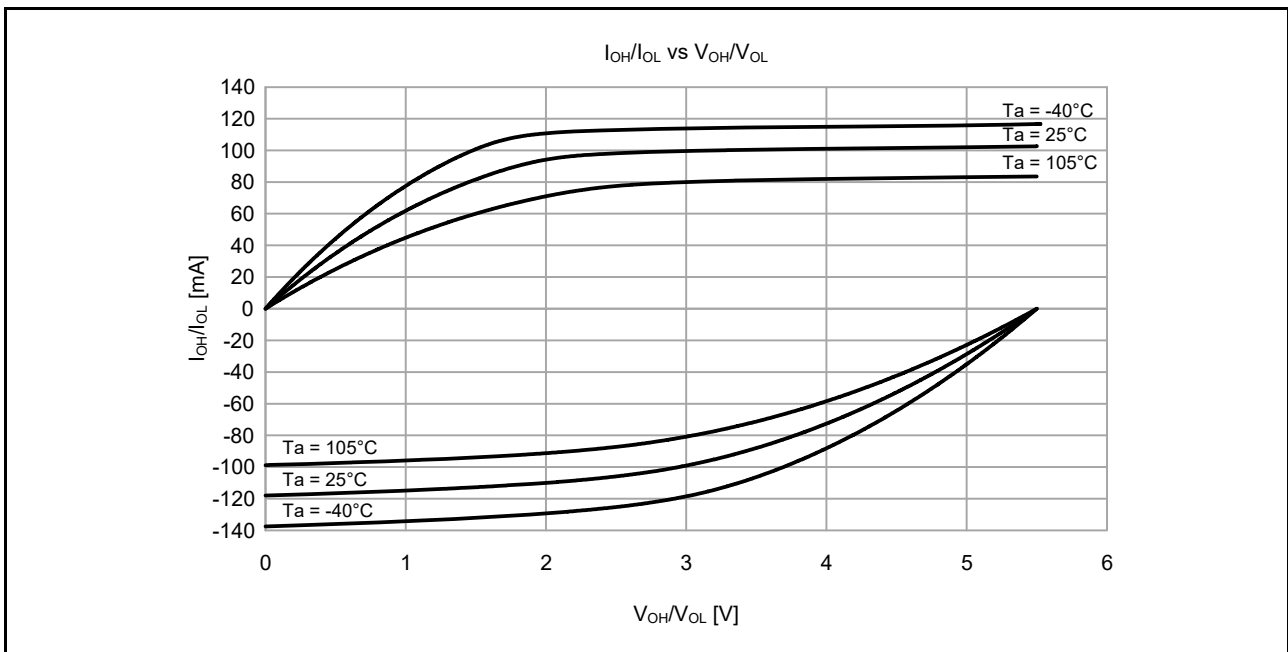


Figure 2.11  $V_{OH}/V_{OL}$  and  $I_{OH}/I_{OL}$  temperature characteristics at  $V_{CC} = 5.5$  V when middle drive output is selected (reference data)

2.2.7 P408, P409 I/O Pin Output Characteristics of Middle Drive Capacity

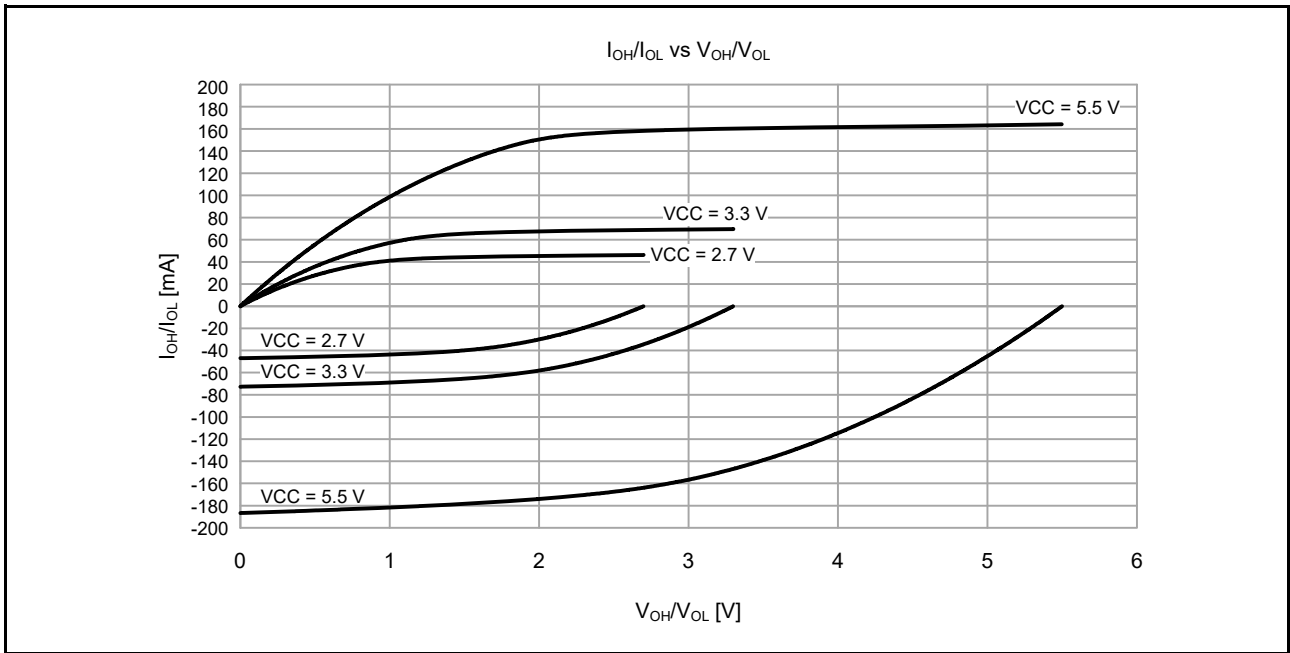


Figure 2.12 V<sub>OH/V<sub>OL</sub></sub> and I<sub>OH/I<sub>OL</sub></sub> voltage characteristics at Ta = 25°C when middle drive output is selected (reference data)

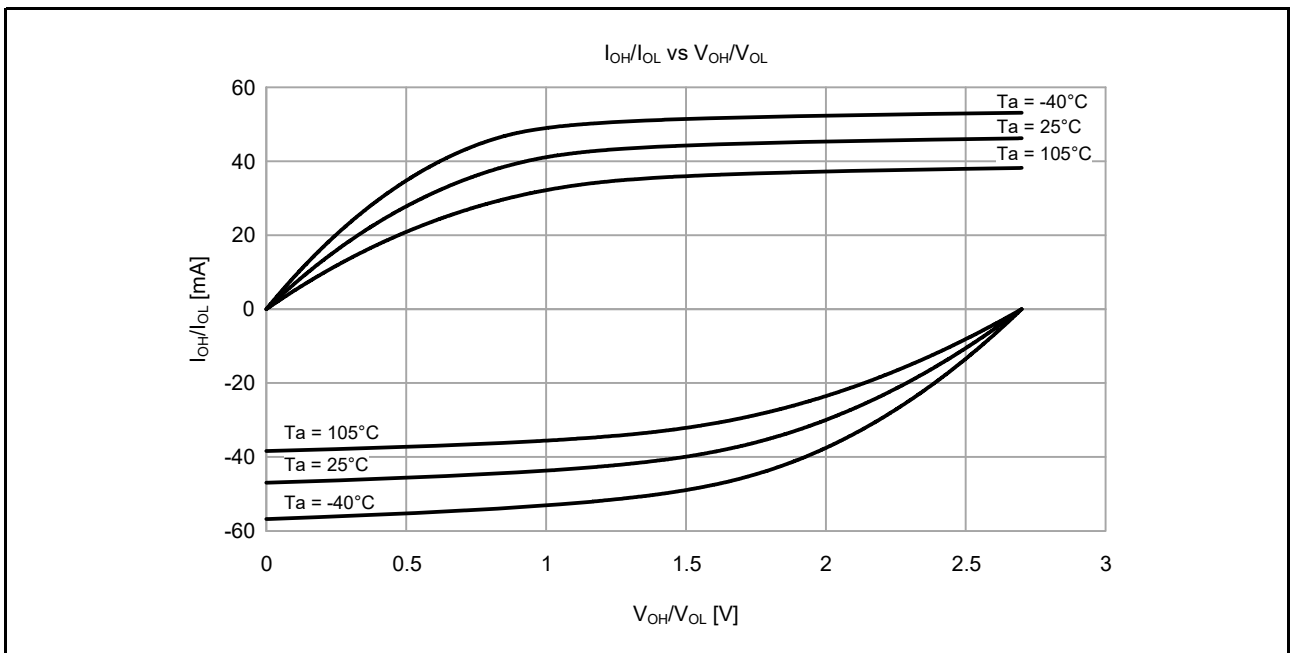


Figure 2.13 V<sub>OH/V<sub>OL</sub></sub> and I<sub>OH/I<sub>OL</sub></sub> temperature characteristics at VCC = 2.7 V when middle drive output is selected (reference data)

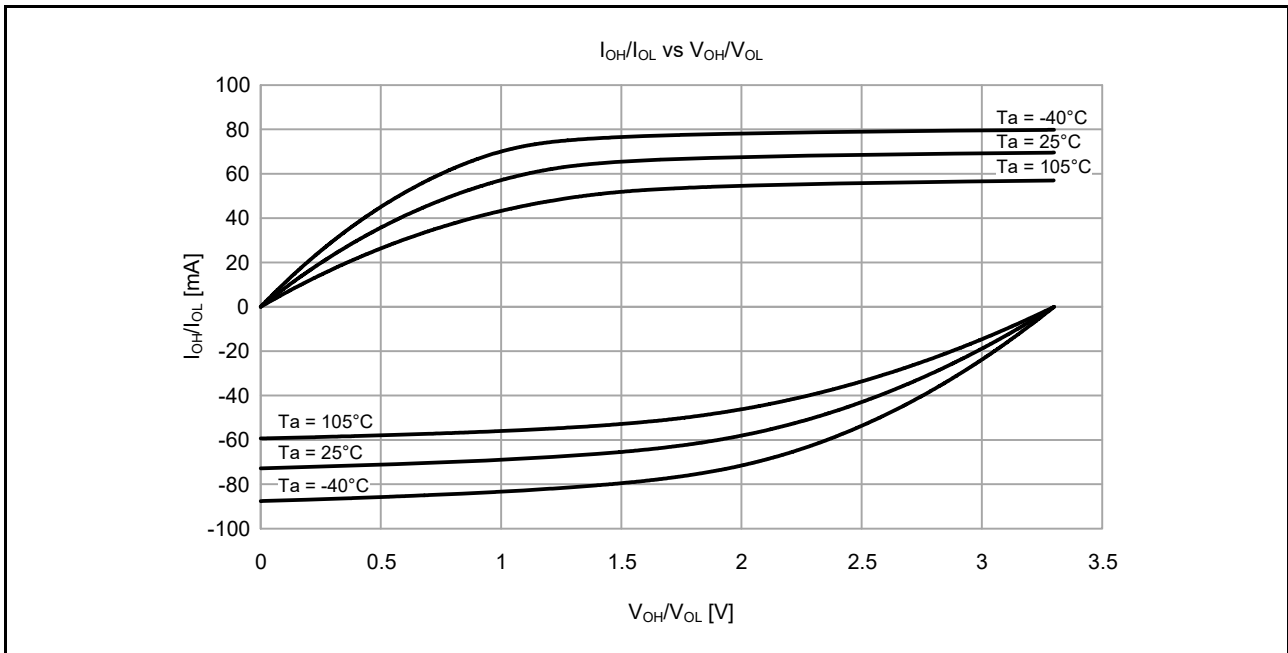


Figure 2.14  $V_{OH}/V_{OL}$  and  $I_{OH}/I_{OL}$  temperature characteristics at  $V_{CC} = 3.3$  V when middle drive output is selected (reference data)

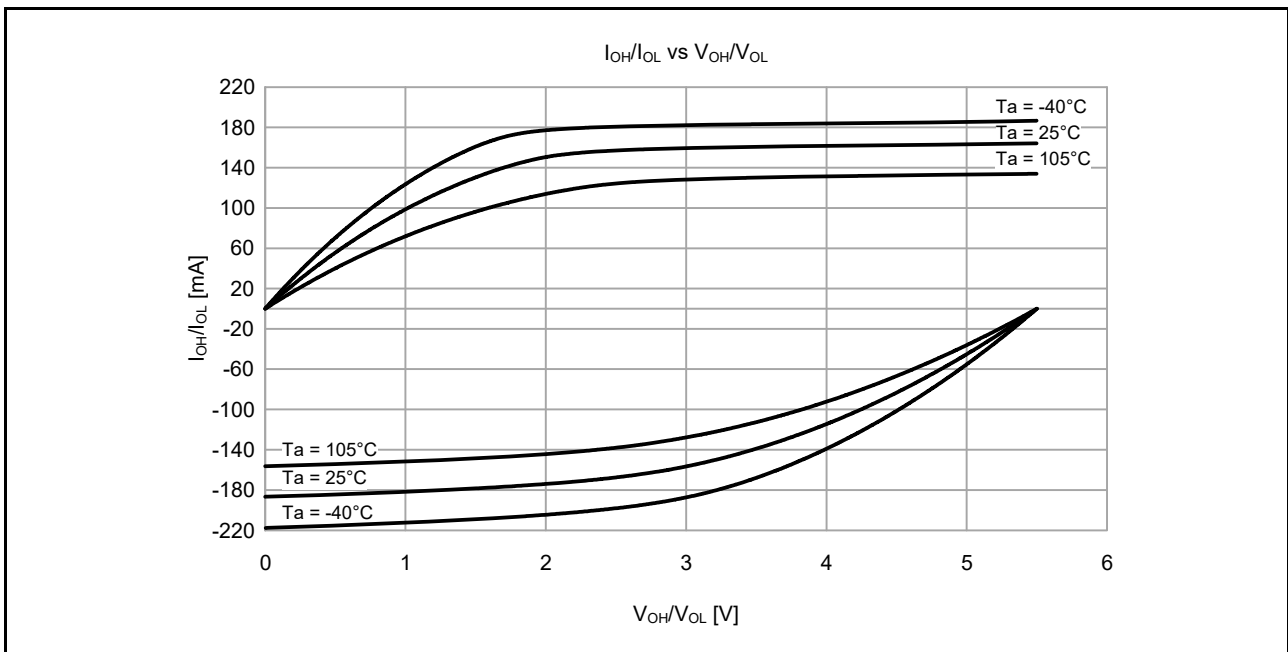


Figure 2.15  $V_{OH}/V_{OL}$  and  $I_{OH}/I_{OL}$  temperature characteristics at  $V_{CC} = 5.5$  V when middle drive output is selected (reference data)

2.2.8 IIC I/O Pin Output Characteristics

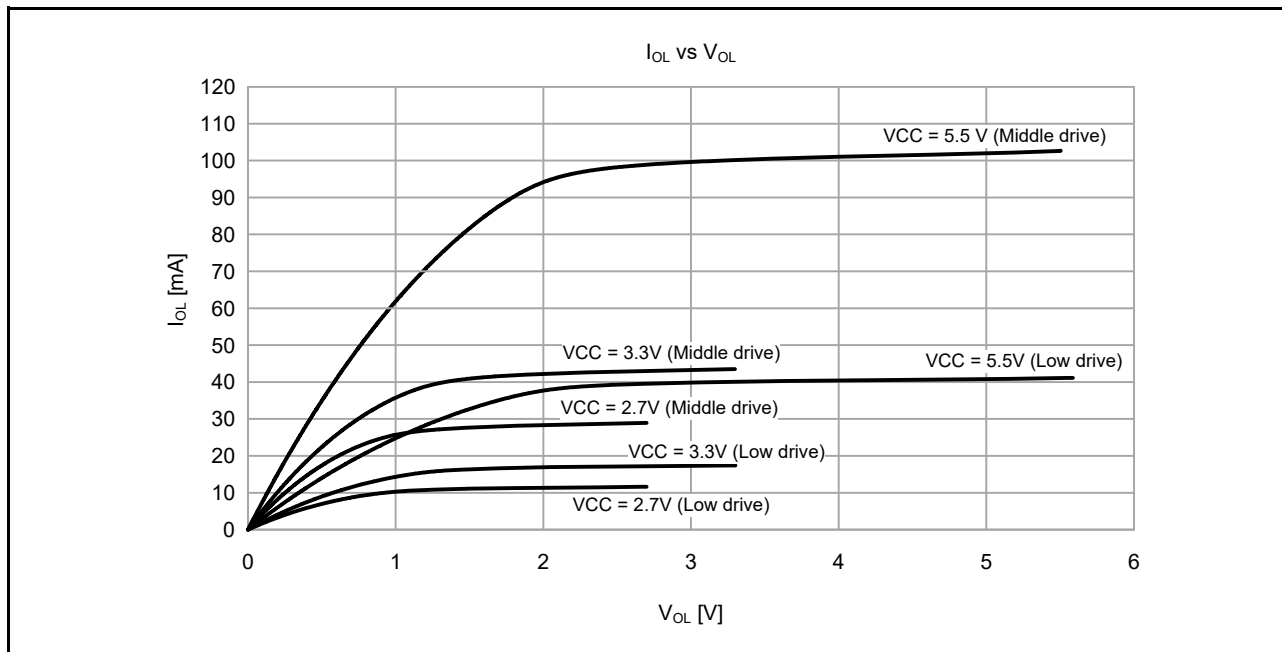


Figure 2.16 V<sub>OH</sub>/V<sub>OL</sub> and I<sub>OH</sub>/I<sub>OL</sub> voltage characteristics at Ta = 25°C

## 2.2.9 Operating and Standby Current

**Table 2.11 Operating and standby current (1) (1 of 2)**

Conditions: VCC = AVCC0 = 1.6 to 5.5 V

Parameter					Symbol	Typ*10	Max	Unit	Test conditions				
Supply current*1	High-speed mode*2	Normal mode	All peripheral clock disabled, while (1) code executing from flash*5	ICLK = 48 MHz	I <sub>CC</sub>	11.8	-	mA	*7				
				ICLK = 32 MHz		8.6	-						
				ICLK = 16 MHz		5.1	-						
				ICLK = 8 MHz		3.4	-						
			All peripheral clock disabled, CoreMark code executing from flash*5	ICLK = 48 MHz		18.6	-						
				ICLK = 32 MHz		12.7	-						
				ICLK = 16 MHz		7.2	-						
				ICLK = 8 MHz		4.5	-						
			All peripheral clock enabled, while (1) code executing from flash*5	ICLK = 48 MHz		30.1	-			*9			
				ICLK = 32 MHz		23.2	-			*8			
				ICLK = 16 MHz		12.6	-						
				ICLK = 8 MHz		7.3	-						
		All peripheral clock enabled, code executing from SRAM*5	ICLK = 48 MHz	-	75.0	*9							
			Sleep mode										
		Middle-speed mode*2	Normal mode	All peripheral clock disabled, while (1) code executing from flash*5	ICLK = 48 MHz	I <sub>CC</sub>	6.4	-	mA	*7			
					ICLK = 32 MHz		4.7	-					
					ICLK = 16 MHz		3.2	-					
					ICLK = 8 MHz		2.4	-					
	All peripheral clock disabled, CoreMark code executing from flash*5			ICLK = 48 MHz	24.7		-	*9					
				ICLK = 32 MHz	19.2		-	*8					
				ICLK = 16 MHz	10.7		-						
				ICLK = 8 MHz	6.4		-						
	All peripheral clock enabled, code executing from SRAM*5			ICLK = 12 MHz	-		30.0						
				Sleep mode									
All peripheral clock disabled*5				ICLK = 12 MHz	2.2		-	*7					
				ICLK = 8 MHz	2.0		-						
	ICLK = 1 MHz	1.3	-										
All peripheral clock enabled*5	ICLK = 12 MHz	7.9	-	*8									
	ICLK = 8 MHz	5.9	-										
	ICLK = 1 MHz	2.1	-										
Increase during BGO operation*6					2.5	-		-					

**Table 2.11 Operating and standby current (1) (2 of 2)**

Conditions: VCC = AVCC0 = 1.6 to 5.5 V

Parameter				Symbol	Typ*10	Max	Unit	Test conditions		
Supply current*1	Low-speed mode*3	Normal mode	All peripheral clock disabled, while (1) code executing from flash*5	ICLK = 1 MHz	I <sub>CC</sub>	0.5	-	mA	*7	
			All peripheral clock disabled, CoreMark code executing from flash*5	ICLK = 1 MHz		0.7	-			
			All peripheral clock enabled, while (1) code executing from flash*5	ICLK = 1 MHz		1.5	-			*8
			All peripheral clock enabled, code executing from SRAM*5	ICLK = 1 MHz		-	3.2			
		Sleep mode	All peripheral clock disabled*5	ICLK = 1 MHz		0.4	-	*7		
			All peripheral clock enabled*5	ICLK = 1 MHz		1.3	-	*8		
	Low-voltage mode*3	Normal mode	All peripheral clock disabled, while (1) code executing from flash*5	ICLK = 4 MHz	I <sub>CC</sub>	2.5	-	mA	*7	
			All peripheral clock disabled, CoreMark code executing from flash*5	ICLK = 4 MHz		3.0	-			
			All peripheral clock enabled, while (1) code executing from flash*5	ICLK = 4 MHz		4.5	-			*8
			All peripheral clock enabled, code executing from SRAM*5	ICLK = 4 MHz		-	11.2			
		Sleep mode	All peripheral clock disabled*5	ICLK = 4 MHz		2.0	-	*7		
			All peripheral clock enabled*5	ICLK = 4 MHz		4.0	-	*8		
Subosc-speed mode*4	Normal mode	All peripheral clock disabled, while (1) code executing from flash*5	ICLK = 32.768 kHz	I <sub>CC</sub>	13.5	-	μA	*8		
		All peripheral clock enabled, while (1) code executing from flash*5	ICLK = 32.768 kHz		25.0	-				
		All peripheral clock enabled, code executing from SRAM*5	ICLK = 32.768 kHz		-	214.1				
	Sleep mode	All peripheral clock disabled*5	ICLK = 32.768 kHz		9.5	-				
		All peripheral clock enabled*5	ICLK = 32.768 kHz		21.0	-				

Note 1. Supply current values do not include output charge/discharge current from all pins. The values apply when internal pull-up MOSs are in the off state.

Note 2. The clock source is HOCO.

Note 3. The clock source is MOCO.

Note 4. The clock source is the sub-clock oscillator.

Note 5. This does not include BGO operation.

Note 6. This is the increase for programming or erasure of the flash memory for data storage during program execution.

Note 7. FCLK, BCLK, PCLKA, PCLKB, PCLKC and PCLKD are set to divided by 64.

Note 8. FCLK, BCLK, PCLKA, PCLKB, PCLKC and PCLKD are the same frequency as that of ICLK.

Note 9. FCLK, BCLK, and PCLKB are set to divided by 2 and PCLKA, PCLKC and PCLKD are the same frequency as that of ICLK.

Note 10. VCC = 3.3 V.

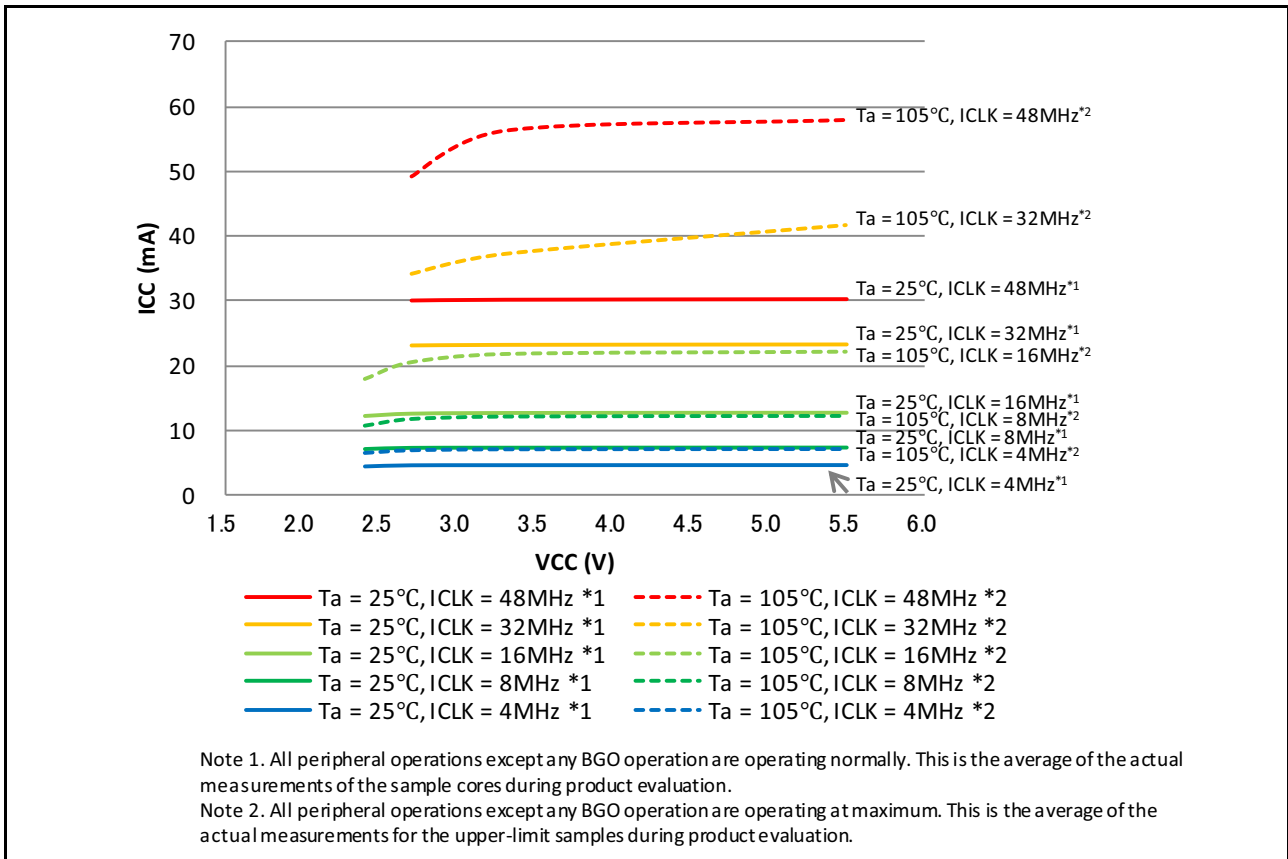


Figure 2.17 Voltage dependency in High-speed operating mode (reference data)

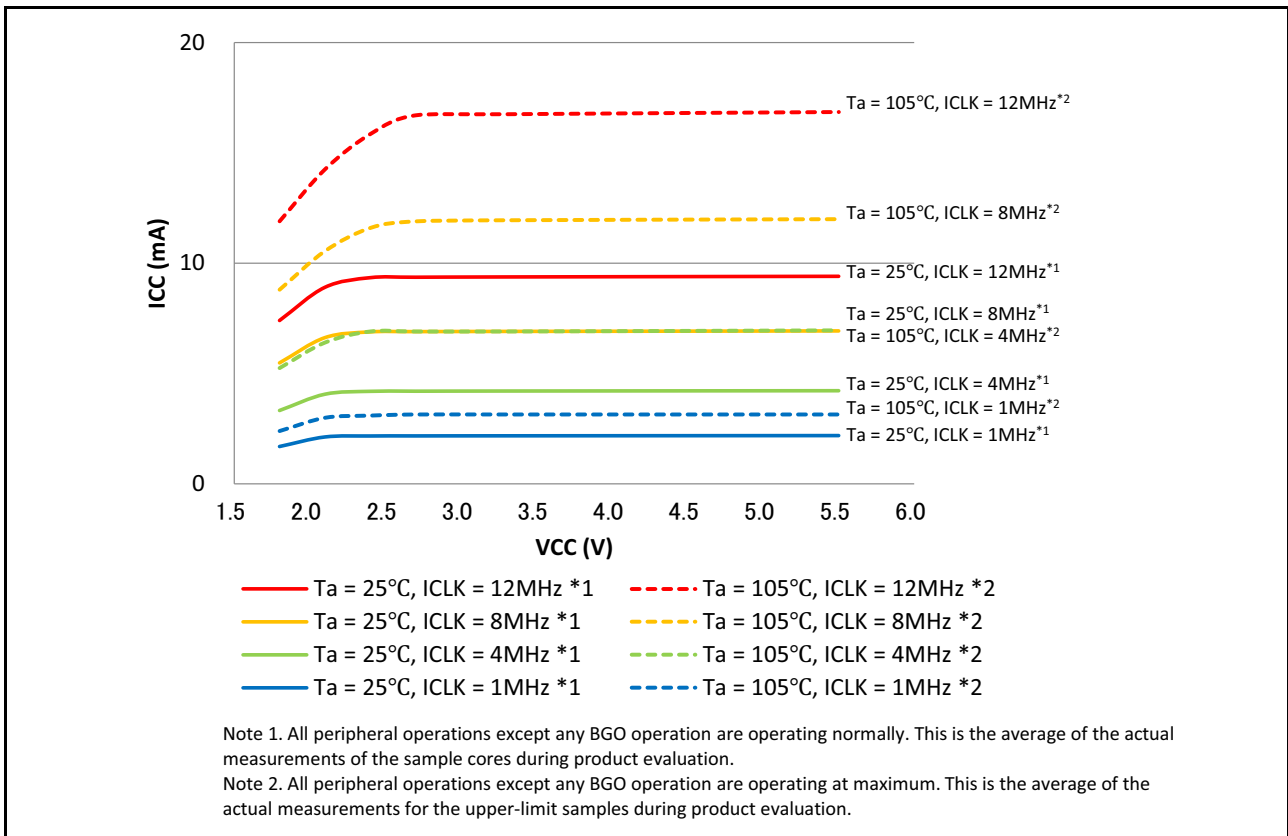


Figure 2.18 Voltage dependency in Middle-speed mode (reference data)

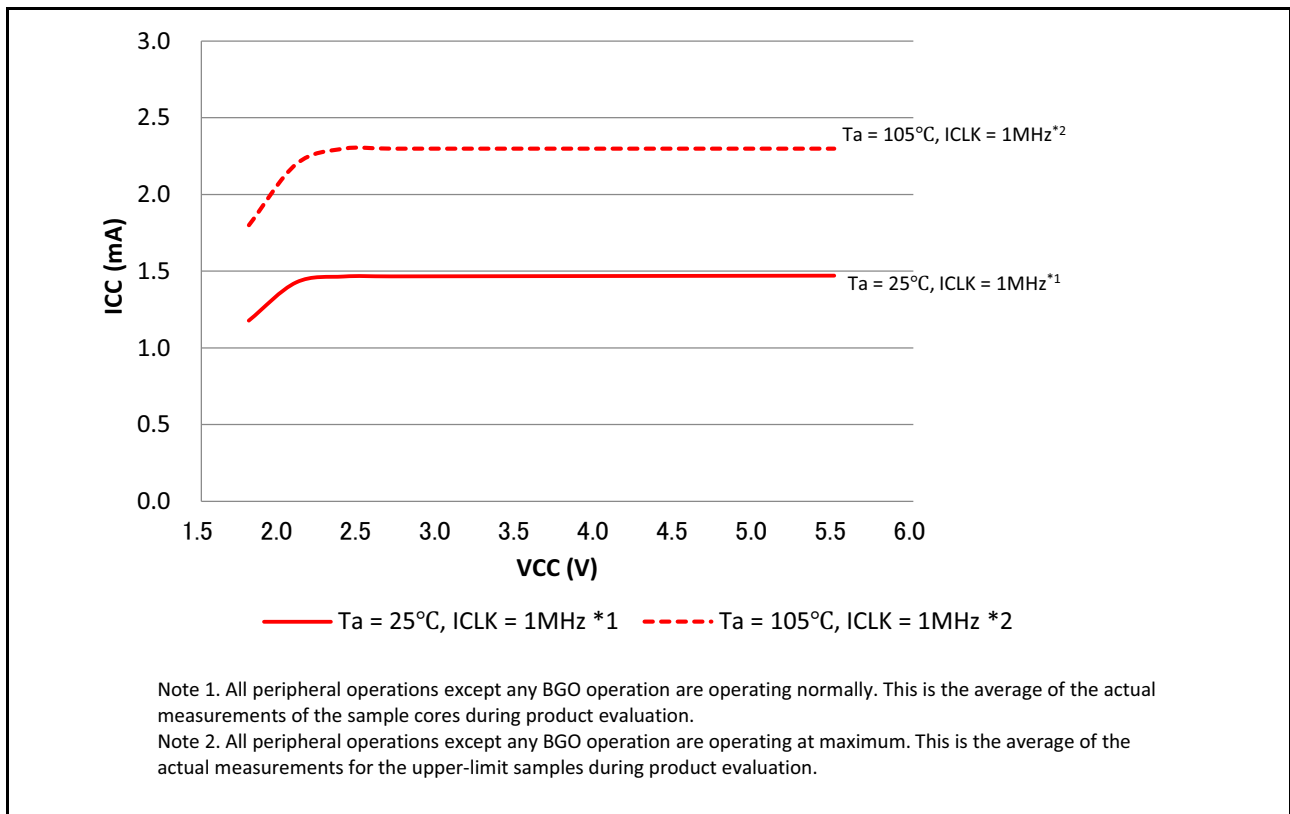


Figure 2.19 Voltage dependency in Low-speed mode (reference data)

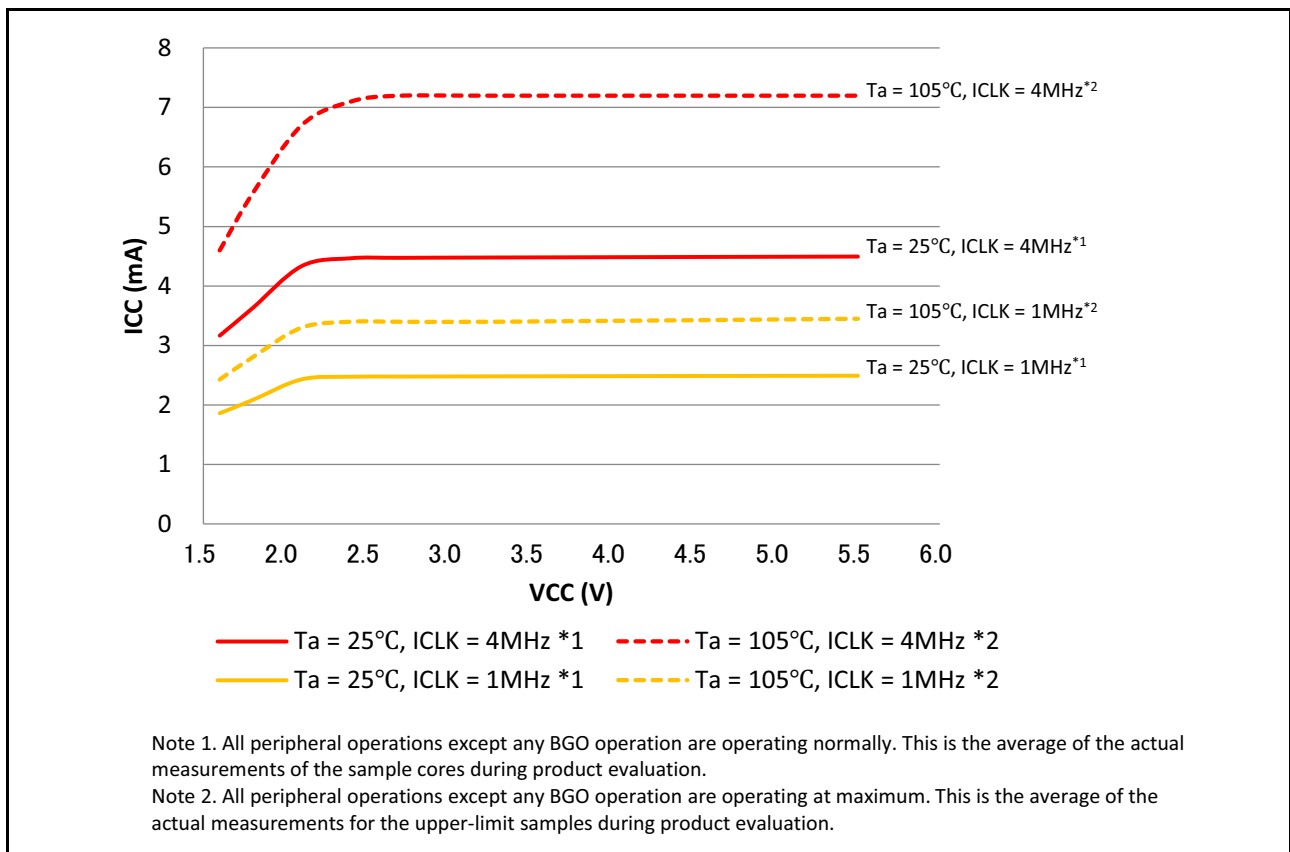


Figure 2.20 Voltage dependency in Low-voltage mode (reference data)



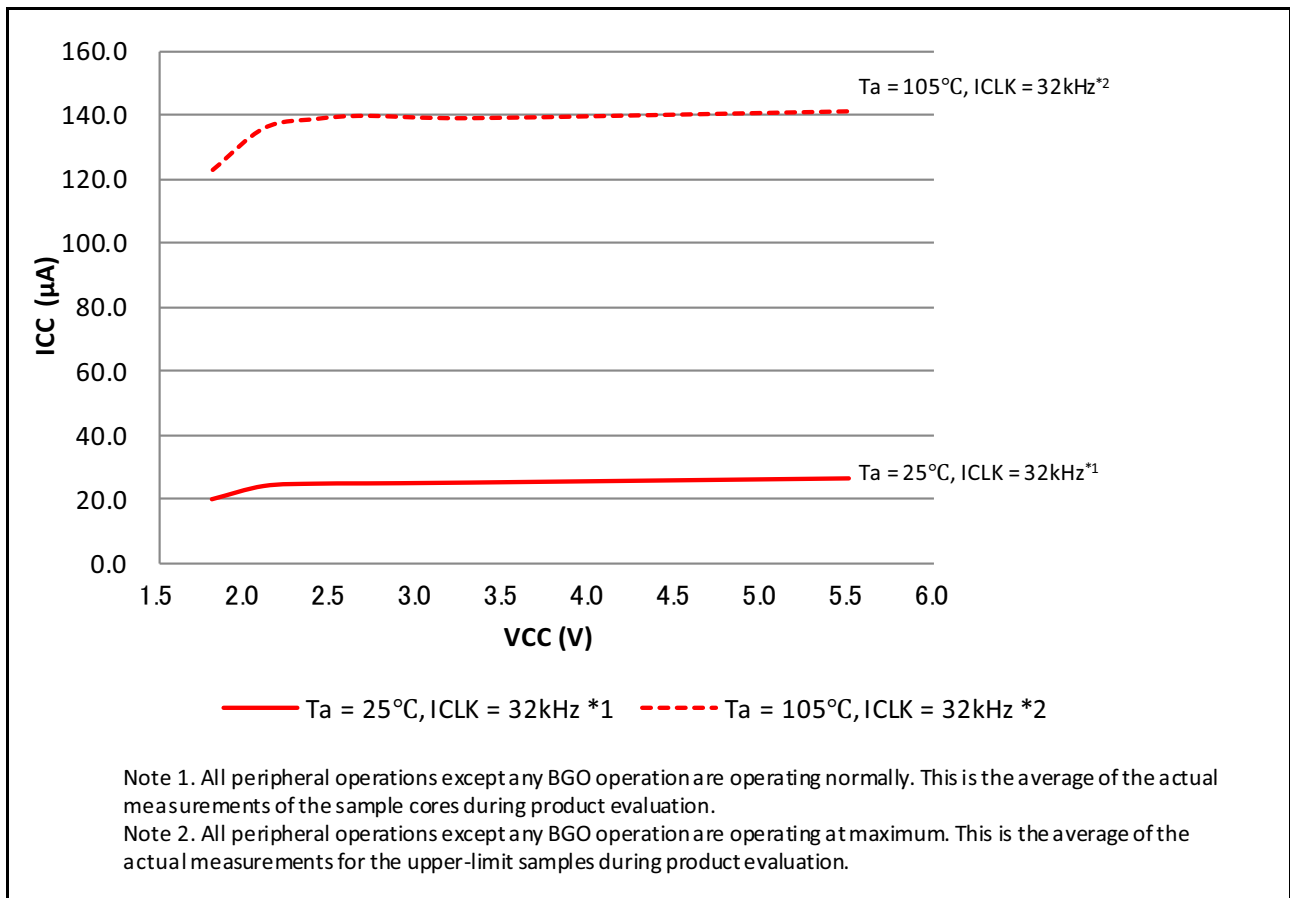


Figure 2.21 Voltage dependency in Subosc-speed mode (reference data)

Table 2.12 Operating and standby current (2)

Conditions: VCC = AVCC0 = 1.6 to 5.5 V

Parameter	Symbol	Typ*4	Max	Unit	Test conditions	
Supply current*1	Software Standby mode*2	T <sub>a</sub> = 25°C	0.9	6.0	µA	PSMCR.PSMC[1:0] = 01b (48 KB SRAM on)
		T <sub>a</sub> = 55°C	1.6	12.2		
		T <sub>a</sub> = 85°C	4.8	27.1		
		T <sub>a</sub> = 105°C	12.2	66.7		
		T <sub>a</sub> = 25°C	1.1	7.5		PSMCR.PSMC[1:0] = 00b (All SRAM on)
		T <sub>a</sub> = 55°C	2.2	17.0		
		T <sub>a</sub> = 85°C	7.5	43.3		
		T <sub>a</sub> = 105°C	19.6	105.9		
	Increment for RTC operation with low-speed on-chip oscillator*3	0.5	-	-		
	Increment for RTC operation with sub-clock oscillator*3	0.5	-	SOMCR.SODRV[1:0] are 11b (Low power mode 3)		
1.6		-	SOMCR.SODRV[1:0] are 00b (Normal mode)			

Note 1. Supply current values do not include output charge/discharge current from all pins. The values apply when internal pull-up MOSs are in the off state.

Note 2. The IWDT and LVD are not operating.

Note 3. Includes the current of sub-oscillation circuit or low-speed on-chip oscillator.

Note 4. VCC = 3.3 V.

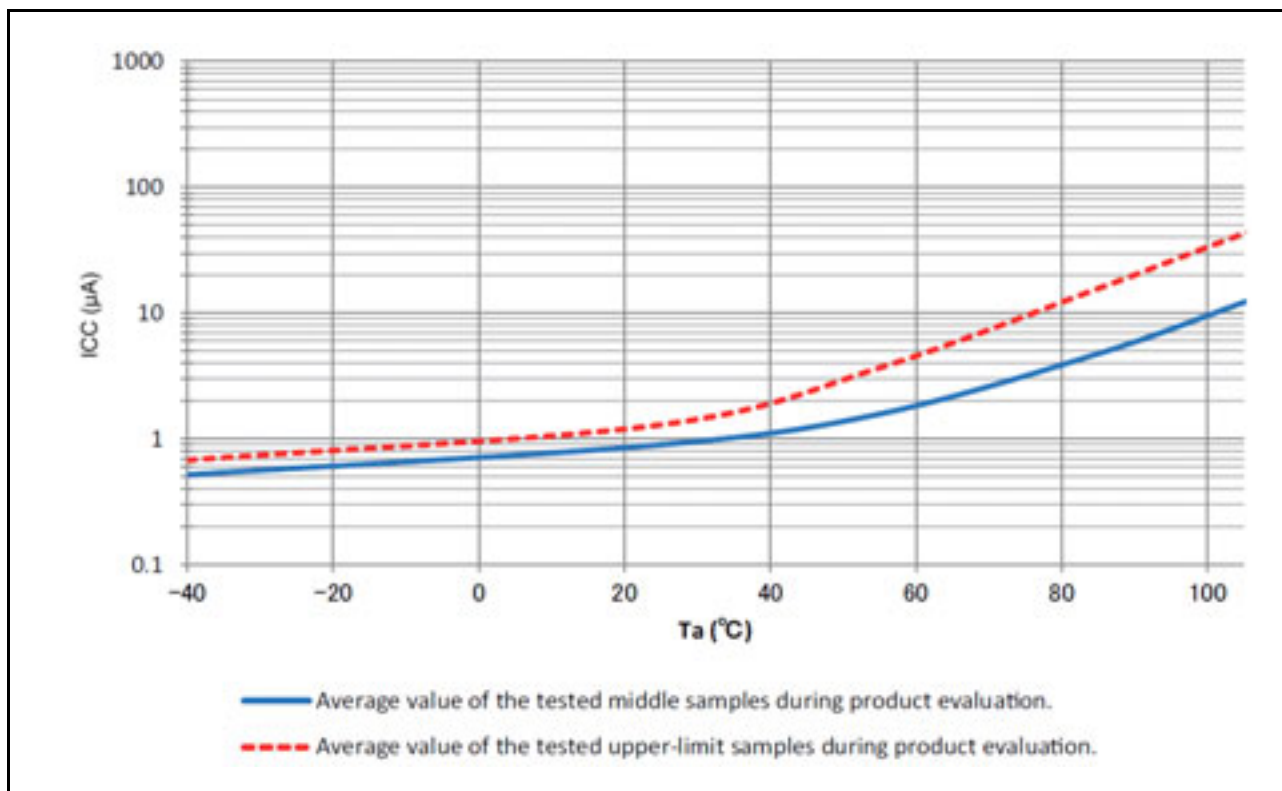


Figure 2.22 Temperature dependency in Software Standby mode 48 KB SRAM on (reference data)

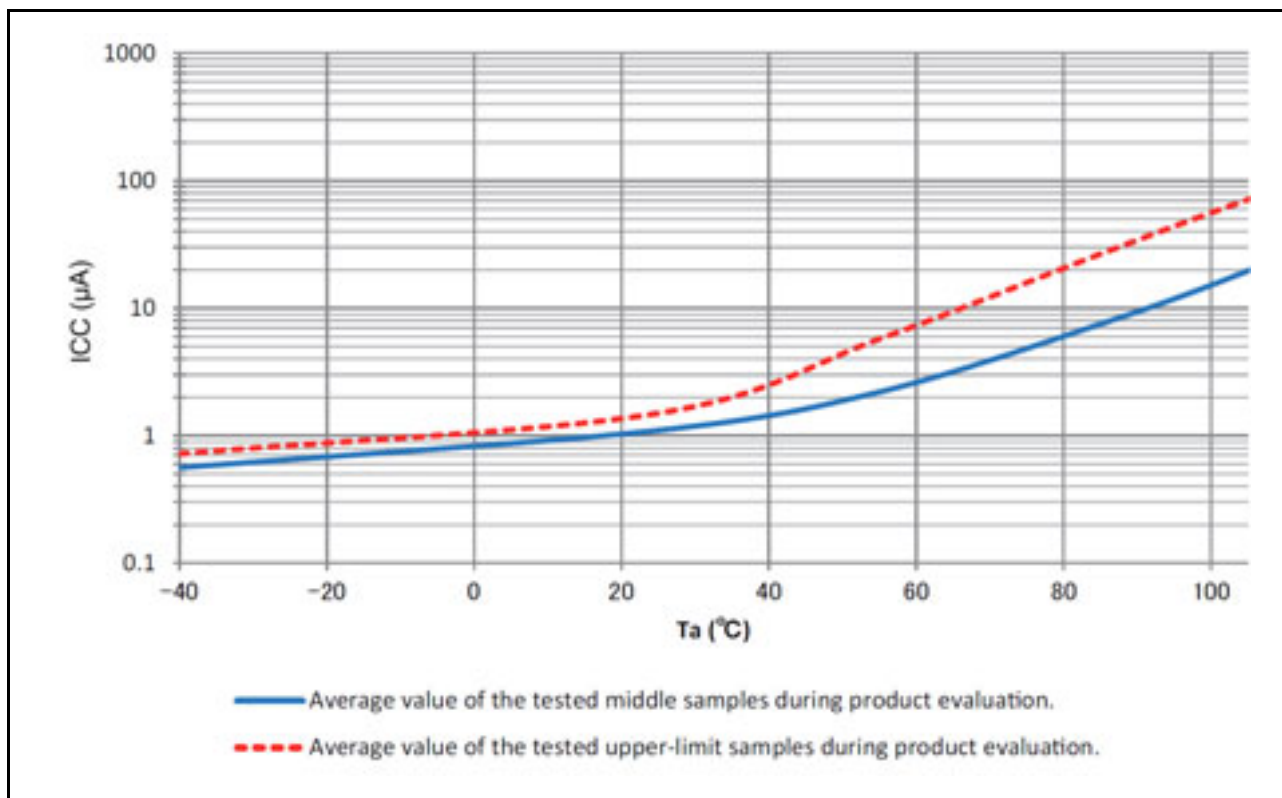


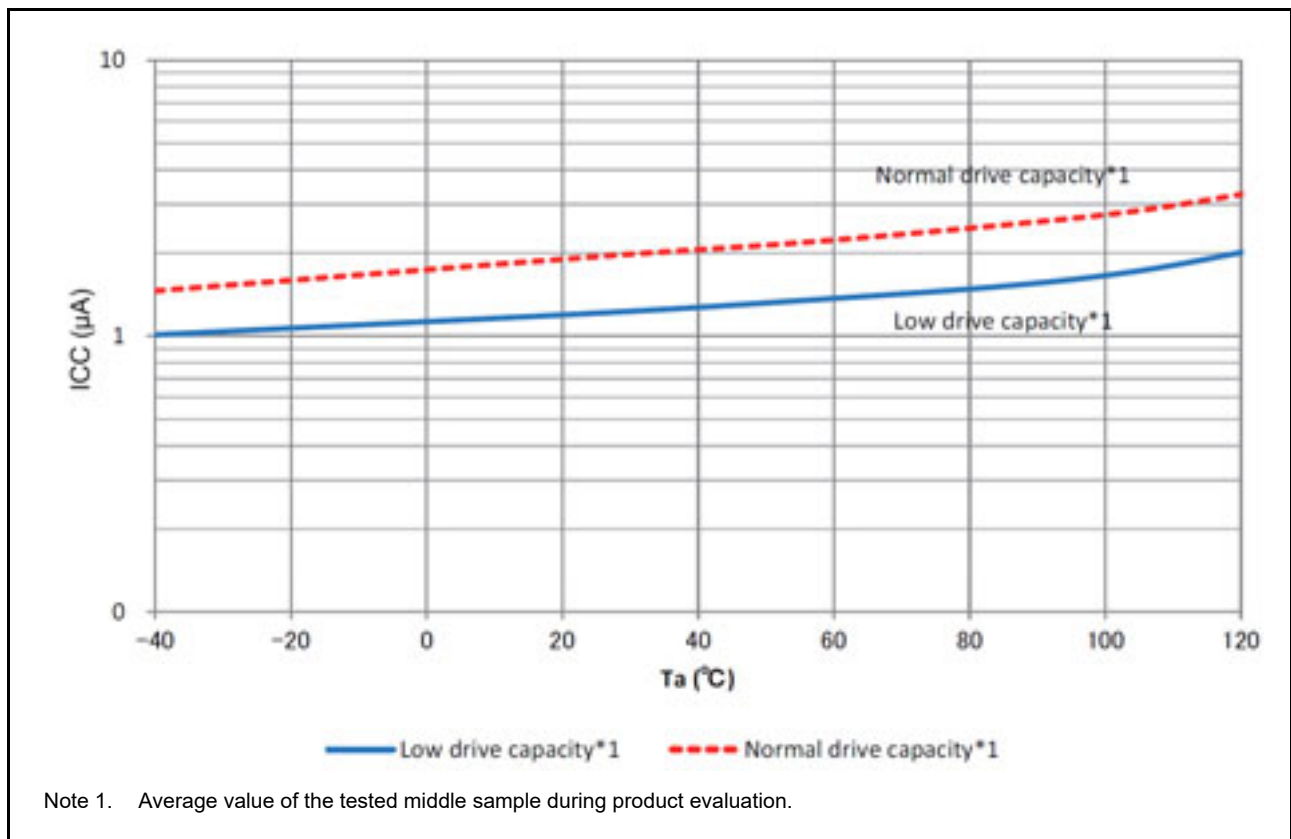
Figure 2.23 Temperature dependency in Software Standby mode all SRAM on (reference data)

**Table 2.13 Operating and standby current (3)**

Conditions: VCC = AVCC0 = 0V, VBATT = 1.6 to 3.6 V, VSS = AVSS0 = 0V

Parameter			Symbol	Typ	Max	Unit	Test conditions
Supply current*1	RTC operation when VCC is off	T <sub>a</sub> = 25°C	I <sub>CC</sub>	1.1	-	μA	VBATT = 2.0 V SOMCR.SORDRV[1:0] = 11b (Low power mode 3)
		T <sub>a</sub> = 55°C		1.2	-		
		T <sub>a</sub> = 85°C		1.4	-		
		T <sub>a</sub> = 105°C		1.6	-		
		T <sub>a</sub> = 25°C		1.2	-		VBATT = 3.3 V SOMCR.SORDRV[1:0] = 11b (Low power mode 3)
		T <sub>a</sub> = 55°C		1.3	-		
		T <sub>a</sub> = 85°C		1.5	-		
		T <sub>a</sub> = 105°C		1.7	-		
		T <sub>a</sub> = 25°C		1.8	-		VBATT = 2.0 V SOMCR.SORDRV[1:0] = 00b (Normal mode)
		T <sub>a</sub> = 55°C		2.1	-		
		T <sub>a</sub> = 85°C		2.4	-		
		T <sub>a</sub> = 105°C		2.7	-		
		T <sub>a</sub> = 25°C		1.9	-		VBATT = 3.3 V SOMCR.SORDRV[1:0] = 00b (Normal mode)
		T <sub>a</sub> = 55°C		2.2	-		
		T <sub>a</sub> = 85°C		2.5	-		
		T <sub>a</sub> = 105°C		2.8	-		

Note 1. Supply current values do not include output charge/discharge current from all pins. The values apply when internal pull-up MOSs are in the off state.



**Figure 2.24 Temperature dependency of RTC operation with VCC off (reference data)**

**Table 2.14 Operating and standby current (4)**

Conditions: VCC = AVCC0 = 1.6 to 5.5 V, VREFH0 = 2.7 V to AVCC0

Parameter			Symbol	Min	Typ	Max	Unit	Test conditions
Analog power supply current	During A/D conversion (at high-speed conversion)		I <sub>AVCC</sub>	-	-	3.0	mA	-
	During A/D conversion (at low power conversion)			-	-	1.0	mA	-
	During D/A conversion (per channel)*1			-	0.4	0.8	mA	-
	Waiting for A/D and D/A conversion (all units)*6			-	-	1.0	μA	-
Reference power supply current	During A/D conversion		I <sub>REFH0</sub>	-	-	150	μA	-
	Waiting for A/D conversion (all units)			-	-	60	nA	-
	During D/A conversion		I <sub>REFH</sub>	-	50	100	μA	-
	Waiting for D/A conversion (all units)			-	-	100	μA	-
Temperature sensor			I <sub>TNS</sub>	-	75	-	μA	-
Low power Analog Comparator operating current	Window mode		I <sub>CMPLP</sub>	-	15	-	μA	-
	Comparator High-speed mode			-	10	-	μA	-
	Comparator Low-speed mode			-	2	-	μA	-
High-Speed Analog Comparator operating current			I <sub>CMPHS</sub>	-	70	100	μA	AVCC0 ≥ 2.7 V
Operational Amplifier operating current	Low power mode	1 unit operating	I <sub>AMP</sub>	-	2.5	4.0	μA	-
		2 units operating		-	4.5	8.0	μA	-
		3 units operating		-	6.5	11.0	μA	-
		4 units operating		-	8.5	14.0	μA	-
	High-speed mode	1 unit operating		-	140	220	μA	-
		2 units operating		-	280	410	μA	-
		3 units operating		-	420	600	μA	-
		4 units operating		-	560	780	μA	-
LCD operating current	External resistance division method f <sub>LCD</sub> = f <sub>SUB</sub> = 128 Hz, 1/3 bias, and 4-time slice		I <sub>LCD1</sub> *5	-	0.34	-	μA	-
	Internal voltage boosting method f <sub>LCD</sub> = f <sub>SUB</sub> = 128 Hz, 1/3 bias, and 4-time slice		I <sub>LCD2</sub> *5	-	0.92	-	μA	-
	Capacitor split method f <sub>LCD</sub> = f <sub>SUB</sub> = 128 Hz, 1/3 bias, and 4-time slice		I <sub>LCD3</sub> *5	-	0.19	-	μA	-
USB operating current	During USB communication operation under the following settings and conditions: • Host controller operation is set to Full-speed mode Bulk OUT transfer (64 bytes) × 1, bulk IN transfer (64 bytes) × 1 • Connect peripheral devices via a 1-meter USB cable from the USB port.		I <sub>USBH</sub> *2	-	4.3 (VCC) 0.9 (VCC_USB)*4	-	mA	-
	During USB communication operation under the following settings and conditions: • Function controller operation is set to Full-speed mode Bulk OUT transfer (64 bytes) × 1, bulk IN transfer (64 bytes) × 1 • Connect the host device via a 1-meter USB cable from the USB port.		I <sub>USBF</sub> *2	-	3.6 (VCC) 1.1 (VCC_USB)*4	-	mA	-
	During suspended state under the following setting and conditions: • Function controller operation is set to Full-speed mode (pull up the USB_DP pin) • Software standby mode • Connect the host device via a 1-meter USB cable from the USB port.		I <sub>SUSP</sub> *3	-	0.35 (VCC) 170 (VCC_USB)*4	-	μA	-

Note 1. Includes the reference power supply current in the power supply current value for D/A conversion.

Note 2. Includes current consumed by the USBFS only.

Note 3. Includes current supplied from the pull-up resistor of the USB\_DP pin to the pull-down resistor of the host device, in addition to the current consumed by the MCU during the suspended state.

Note 4. When VCC = VCC\_USB = 3.3 V.

Note 5. Includes current flowing to the LCD controller only. Does not include current flowing through the LCD panel.

Note 6. When the MSTPCRD.MSTPD16 (14-Bit A/D Converter Module Stop bit) is in the module-stop state.

## 2.2.10 VCC Rise and Fall Gradient and Ripple Frequency

**Table 2.15 Rise and fall gradient characteristics**

Conditions: VCC = AVCC0 = 0 to 5.5 V

Parameter	Symbol	Min	Typ	Max	Unit	Test conditions	
Power-on VCC rising gradient	Voltage monitor 0 reset disabled at startup	SrVCC	0.02	-	2	ms/V	-
	Voltage monitor 0 reset enabled at startup*1		0.02	-	-		
	SCI/USB Boot mode*2		0.02	-	2		

Note 1. When OFS1.LVDAS = 0.

Note 2. At boot mode, the reset from voltage monitor 0 is disabled regardless of the value of the OFS1.LVDAS bit.

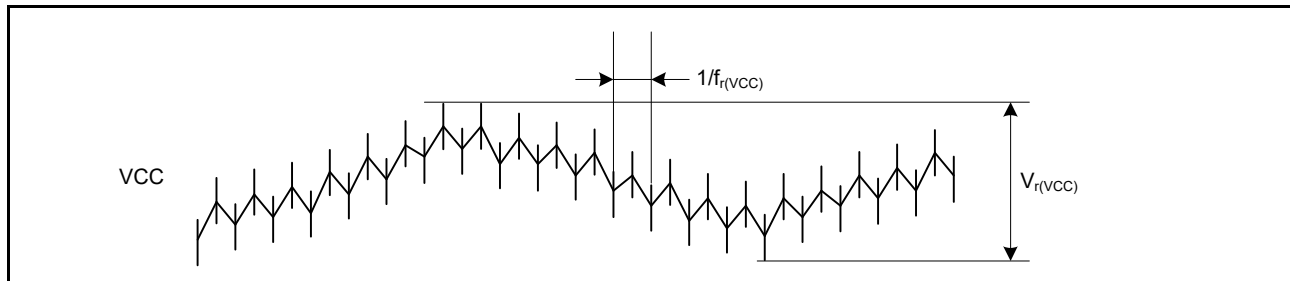
**Table 2.16 Rising and falling gradient and ripple frequency characteristics**

Conditions: VCC = AVCC0 = VCC\_USB = 1.6 to 5.5 V

The ripple voltage must meet the allowable ripple frequency  $f_{r(VCC)}$  within the range between the VCC upper limit (5.5 V) and lower limit (1.6 V).

When VCC change exceeds VCC  $\pm 10\%$ , the allowable voltage change rising/falling gradient dt/dVCC must be met.

Parameter	Symbol	Min	Typ	Max	Unit	Test conditions
Allowable ripple frequency	$f_{r(VCC)}$	-	-	10	kHz	Figure 2.25 $V_{r(VCC)} \leq VCC \times 0.2$
		-	-	1	MHz	Figure 2.25 $V_{r(VCC)} \leq VCC \times 0.08$
		-	-	10	MHz	Figure 2.25 $V_{r(VCC)} \leq VCC \times 0.06$
Allowable voltage change rising and falling gradient	dt/dVCC	1.0	-	-	ms/V	When VCC change exceeds VCC $\pm 10\%$



**Figure 2.25 Ripple waveform**

## 2.2.11 Thermal Characteristics

Maximum value of junction temperature ( $T_j$ ) must not exceed the value of [section 2.2.1,  \$T\_j/T\_a\$  Definition](#).

$T_j$  is calculated by either of the following equations.

- $T_j = T_a + \theta_{ja} \times \text{Total power consumption}$

- $T_j = T_t + \Psi_{jt} \times \text{Total power consumption}$

$T_j$ : Junction temperature ( $^{\circ}\text{C}$ )

$T_a$ : Ambient temperature ( $^{\circ}\text{C}$ )

$T_t$ : Top center case temperature ( $^{\circ}\text{C}$ )

$\theta_{ja}$ : Thermal resistance of “Junction”-to-“Ambient” ( $^{\circ}\text{C}/\text{W}$ )

$\Psi_{jt}$ : Thermal resistance of “Junction”-to-“Top center case” ( $^{\circ}\text{C}/\text{W}$ )

- Total power consumption = Voltage  $\times$  (Leakage current + Dynamic current)

- Leakage current of IO =  $\Sigma (IOL \times VOL)/\text{Voltage} + \Sigma (|IOH| \times |VCC - VOH|)/\text{Voltage}$

- Dynamic current of IO =  $\Sigma IO (C_{in} + C_{load}) \times IO \text{ switching frequency} \times \text{Voltage}$

C<sub>in</sub>: Input capacitance

C<sub>load</sub>: Output capacitance

Regarding  $\theta_{ja}$  and  $\Psi_{jt}$ , see [Table 2.17](#).

**Table 2.17 Thermal Resistance**

Parameter	Package	Symbol	Value	Unit	Test conditions	
Thermal Resistance	64-pin QFN	$\theta_{ja}$	17.6*1	°C/W	JESD 51-2 and 51-7 compliant	
	64-pin LQFP		37.5			
	100-pin LQFP		38.0			
	144-pin LQFP		37.0			
	100-pin LGA		20.1			JESD 51-2 and 51-9 compliant
	145-pin LGA		19.2			
	121-pin BGA		19.8			
	64-pin QFN	$\Psi_{jt}$	0.05*1	°C/W	JESD 51-2 and 51-7 compliant	
	64-pin LQFP		0.42			
	100-pin LQFP		0.42			
	144-pin LQFP		0.42			
	100-pin LGA		0.22			JESD 51-2 and 51-9 compliant
	145-pin LGA		0.22			
	121-pin BGA		0.10			

Note: The values are reference values when the 4-layer board is used. Thermal resistance depends on the number of layers or size of the board. For details, refer to the JEDEC standards.

Note 1. This value applies when the Exposed die pad for this purpose is connected to VSS.

## 2.3 AC Characteristics

### 2.3.1 Frequency

**Table 2.18 Operation frequency value in High-speed operating mode**

Conditions: VCC = AVCC0 = 2.4 to 5.5 V

Parameter		Symbol	Min	Typ	Max <sup>*5</sup>	Unit	
Operation frequency	System clock (ICLK) <sup>*4</sup>	f	2.7 to 5.5 V	0.032768	-	48	MHz
			2.4 to 2.7 V	0.032768	-	16	
	FlashIF clock (FCLK) <sup>*1, *2, *4</sup>		2.7 to 5.5 V	0.032768	-	32	
			2.4 to 2.7 V	0.032768	-	16	
	Peripheral module clock (PCLKA) <sup>*4</sup>		2.7 to 5.5 V	-	-	48	
			2.4 to 2.7 V	-	-	16	
	Peripheral module clock (PCLKB) <sup>*4</sup>		2.7 to 5.5 V	-	-	32	
			2.4 to 2.7 V	-	-	16	
	Peripheral module clock (PCLKC) <sup>*3, *4</sup>		2.7 to 5.5 V	-	-	64	
			2.4 to 2.7 V	-	-	16	
	Peripheral module clock (PCLKD) <sup>*4</sup>		2.7 to 5.5 V	-	-	64	
			2.4 to 2.7 V	-	-	16	
	External bus clock (BCLK) <sup>*4</sup>		2.7 to 5.5 V	-	-	24	
			2.4 to 2.7 V	-	-	16	
	EBCLK pin output		2.7 to 5.5 V	-	-	12	
			2.4 to 2.7 V	-	-	8	

- Note 1. The lower-limit frequency of FCLK is 1 MHz while programming or erasing the flash memory. When using FCLK for programming or erasing the flash memory at below 4 MHz, the frequency can be set to 1 MHz, 2 MHz, or 3 MHz. A non-integer frequency such as 1.5 MHz cannot be set.
- Note 2. The frequency accuracy of FCLK must be  $\pm 3.5\%$  while programming or erasing the flash memory. Confirm the frequency accuracy of the clock source.
- Note 3. The lower-limit frequency of PCLKC is 4 MHz at 2.4 V or above and 1 MHz at below 2.4 V when the 14-bit A/D converter is in use.
- Note 4. See section 9, Clock Generation Circuit in User's Manual for the relationship of frequencies between ICLK, PCLKA, PCLKB, PCLKC, PCLKD, FCLK, and BCLK.
- Note 5. The maximum value of operation frequency does not include errors of the internal oscillator. The operation can be guaranteed with the errors of the internal oscillator. For details, on the range for the guaranteed operation, see [Table 2.23, Clock timing](#).

**Table 2.19 Operation frequency value in Middle-speed mode**

Conditions: VCC = AVCC0 = 1.8 to 5.5 V

Parameter		Symbol	Min	Typ	Max <sup>*5</sup>	Unit	
Operation frequency	System clock (ICLK) <sup>*4</sup>	f	2.7 to 5.5 V	0.032768	-	12	MHz
			2.4 to 2.7 V	0.032768	-	12	
			1.8 to 2.4 V	0.032768	-	8	
	FlashIF clock (FCLK) <sup>*1, *2, *4</sup>		2.7 to 5.5 V	0.032768	-	12	
			2.4 to 2.7 V	0.032768	-	12	
			1.8 to 2.4 V	0.032768	-	8	
	Peripheral module clock (PCLKA) <sup>*4</sup>		2.7 to 5.5 V	-	-	12	
			2.4 to 2.7 V	-	-	12	
			1.8 to 2.4 V	-	-	8	
	Peripheral module clock (PCLKB) <sup>*4</sup>		2.7 to 5.5 V	-	-	12	
			2.4 to 2.7 V	-	-	12	
			1.8 to 2.4 V	-	-	8	
	Peripheral module clock (PCLKC) <sup>*3, *4</sup>		2.7 to 5.5 V	-	-	12	
			2.4 to 2.7 V	-	-	12	
			1.8 to 2.4 V	-	-	8	
	Peripheral module clock (PCLKD) <sup>*4</sup>		2.7 to 5.5 V	-	-	12	
			2.4 to 2.7 V	-	-	12	
			1.8 to 2.4 V	-	-	8	
	External bus clock (BCLK) <sup>*4</sup>		2.7 to 5.5 V	-	-	12	
			2.4 to 2.7 V	-	-	12	
			1.8 to 2.4 V	-	-	8	
EBCLK pin output	2.7 to 3.6 V	-	-	12			
	2.4 to 2.7 V	-	-	8			
	1.8 to 2.4 V	-	-	8			

- Note 1. The lower-limit frequency of FCLK is 1 MHz while programming or erasing the flash memory. When using FCLK for programming or erasing the flash memory at below 4 MHz, the frequency can be set to 1 MHz, 2 MHz, or 3 MHz. A non-integer frequency such as 1.5 MHz cannot be set.
- Note 2. The frequency accuracy of FCLK must be  $\pm 3.5\%$  while programming or erasing the flash memory. Confirm the frequency accuracy of the clock source.
- Note 3. The lower-limit frequency of PCLKC is 4 MHz at 2.4 V or above and 1 MHz at below 2.4 V when the 14-bit A/D converter is in use.
- Note 4. See section 9, Clock Generation Circuit in User's Manual for the relationship of frequencies between ICLK, PCLKA, PCLKB, PCLKC, PCLKD, FCLK, and BCLK.
- Note 5. The maximum value of operation frequency does not include errors of the internal oscillator. The operation can be guaranteed with the errors of the internal oscillator. For details on the range for the guaranteed operation, see [Table 2.23, Clock timing](#).



**Table 2.20 Operation frequency value in Low-speed mode**

Conditions: VCC = AVCC0 = 1.8 to 5.5 V

Parameter			Symbol	Min	Typ	Max <sup>*4</sup>	Unit
Operation frequency	System clock (ICLK) <sup>*3</sup>	1.8 to 5.5 V	f	0.032768	-	1	MHz
	FlashIF clock (FCLK) <sup>*1, *3</sup>	1.8 to 5.5 V		0.032768	-	1	
	Peripheral module clock (PCLKA) <sup>*3</sup>	1.8 to 5.5 V		-	-	1	
	Peripheral module clock (PCLKB) <sup>*3</sup>	1.8 to 5.5 V		-	-	1	
	Peripheral module clock (PCLKC) <sup>*2, *3</sup>	1.8 to 5.5 V		-	-	1	
	Peripheral module clock (PCLKD) <sup>*3</sup>	1.8 to 5.5 V		-	-	1	
	External bus clock (BCLK) <sup>*3</sup>	1.8 to 5.5 V		-	-	1	
	EBCLK pin output	1.8 to 5.5 V		-	-	1	

Note 1. The lower-limit frequency of FCLK is 1 MHz while programming or erasing the flash memory.

Note 2. The lower-limit frequency of PCLKC is 1 MHz when the A/D converter is in use.

Note 3. See section 9, Clock Generation Circuit in User's Manual for the relationship of frequencies between ICLK, PCLKA, PCLKB, PCLKC, PCLKD, FCLK, and BCLK.

Note 4. The maximum value of operation frequency does not include errors of the internal oscillator. The operation can be guaranteed with the errors of the internal oscillator. For details on the range for the guaranteed operation, [Table 2.23, Clock timing](#).

**Table 2.21 Operation frequency value in Low-voltage mode**

Conditions: VCC = AVCC0 = 1.6 to 5.5 V

Parameter			Symbol	Min	Typ	Max <sup>*5</sup>	Unit
Operation frequency	System clock (ICLK) <sup>*4</sup>	1.6 to 5.5 V	f	0.032768	-	4	MHz
	FlashIF clock (FCLK) <sup>*1, *2, *4</sup>	1.6 to 5.5 V		0.032768	-	4	
	Peripheral module clock (PCLKA) <sup>*4</sup>	1.6 to 5.5 V		-	-	4	
	Peripheral module clock (PCLKB) <sup>*4</sup>	1.6 to 5.5 V		-	-	4	
	Peripheral module clock (PCLKC) <sup>*3, *4</sup>	1.6 to 5.5 V		-	-	4	
	Peripheral module clock (PCLKD) <sup>*4</sup>	1.6 to 5.5 V		-	-	4	
	External bus clock (BCLK) <sup>*4</sup>	1.6 to 5.5 V		-	-	4	
	EBCLK pin output	1.8 to 5.5 V		-	-	4	
1.6 to 1.8 V		-	-	2			

Note 1. The lower-limit frequency of FCLK is 1 MHz while programming or erasing the flash memory. When using FCLK for programming or erasing the flash memory at below 4 MHz, the frequency can be set to 1 MHz, 2 MHz, or 3 MHz. A non-integer frequency such as 1.5 MHz cannot be set.

Note 2. The frequency accuracy of FCLK must be  $\pm 3.5\%$  while programming or erasing the flash memory. Confirm the frequency accuracy of the clock source.

Note 3. The lower-limit frequency of PCLKC is 4 MHz at 2.4 V or above and 1 MHz at below 2.4 V when the 14-Bit A/D converter is in use.

Note 4. See section 9, Clock Generation Circuit in User's Manual for the relationship of frequencies between ICLK, PCLKA, PCLKB, PCLKC, PCLKD, FCLK, and BCLK.

Note 5. The maximum value of operation frequency does not include errors of the internal oscillator. The operation can be guaranteed with the errors of the internal oscillator. For details on the range for guaranteed operation, see [Table 2.23, Clock timing](#).

**Table 2.22 Operation frequency value in Subosc-speed mode**

Conditions: VCC = AVCC0 = 1.8 to 5.5 V

Parameter		Symbol	Min	Typ	Max	Unit	
Operation frequency	System clock (ICLK)*3	f	1.8 to 5.5 V	27.8528	32.768	37.6832	kHz
	FlashIF clock (FCLK)*1, *3		1.8 to 5.5 V	27.8528	32.768	37.6832	
	Peripheral module clock (PCLKA)*3		1.8 to 5.5 V	-	-	37.6832	
	Peripheral module clock (PCLKB)*3		1.8 to 5.5 V	-	-	37.6832	
	Peripheral module clock (PCLKC)*2, *3		1.8 to 5.5 V	-	-	37.6832	
	Peripheral module clock (PCLKD)*3		1.8 to 5.5 V	-	-	37.6832	
	External bus clock (BCLK)*3		1.8 to 5.5 V	-	-	37.6832	
	EBCLK pin output		1.8 to 5.5 V	-	-	37.6832	

Note 1. Programming and erasing the flash memory is not possible.

Note 2. The 14-bit A/D converter cannot be used.

Note 3. See section 9, Clock Generation Circuit in User's Manual for the relationship of frequencies between ICLK, PCLKA, PCLKB, PCLKC, PCLKD, FCLK, and BCLK.

### 2.3.2 Clock Timing

**Table 2.23 Clock timing (1 of 2)**

Parameter		Symbol	Min	Typ	Max	Unit	Test conditions
EBCLK pin output cycle time	VCC = 2.7 V or above	$t_{Bcyc}$	83.3	-	-	ns	Figure 2.26
	VCC = 1.8 V or above		125	-	-		
	VCC = 1.6 V or above		500	-	-		
EBCLK pin output high pulse width	VCC = 2.7 V or above	$t_{CH}$	20	-	-	ns	
	VCC = 1.8 V or above		30	-	-		
	VCC = 1.6 V or above		150	-	-		
EBCLK pin output low pulse width	VCC = 2.7 V or above	$t_{CL}$	20	-	-	ns	
	VCC = 1.8 V or above		30	-	-		
	VCC = 1.6 V or above		150	-	-		
EBCLK pin output rise time	VCC = 2.7 V or above	$t_{Cr}$	-	-	15	ns	
	VCC = 2.4 V or above		-	-	25		
	VCC = 1.8 V or above		-	-	30		
	VCC = 1.6 V or above		-	-	50		
EBCLK pin output fall time	VCC = 2.7 V or above	$t_{Cf}$	-	-	15	ns	
	VCC = 2.4 V or above		-	-	25		
	VCC = 1.8 V or above		-	-	30		
	VCC = 1.6 V or above		-	-	50		
EXTAL external clock input cycle time		$t_{Xcyc}$	50	-	-	ns	Figure 2.27
EXTAL external clock input high pulse width		$t_{XH}$	20	-	-	ns	
EXTAL external clock input low pulse width		$t_{XL}$	20	-	-	ns	
EXTAL external clock rising time		$t_{Xr}$	-	-	5	ns	
EXTAL external clock falling time		$t_{Xf}$	-	-	5	ns	
EXTAL external clock input wait time*1		$t_{EXWT}$	0.3	-	-	$\mu$ s	
EXTAL external clock input frequency		$f_{EXTAL}$	-	-	20	MHz	2.4 $\leq$ VCC $\leq$ 5.5
			-	-	8		1.8 $\leq$ VCC < 2.4
			-	-	1		1.6 $\leq$ VCC < 1.8
Main clock oscillator oscillation frequency		$f_{MAIN}$	1	-	20	MHz	2.4 $\leq$ VCC $\leq$ 5.5
			1	-	8		1.8 $\leq$ VCC < 2.4
			1	-	4		1.6 $\leq$ VCC < 1.8
LOCO clock oscillation frequency		$f_{LOCO}$	27.8528	32.768	37.6832	kHz	-

Table 2.23 Clock timing (2 of 2)

Parameter	Symbol	Min	Typ	Max	Unit	Test conditions		
LOCO clock oscillation stabilization time	$t_{LOCO}$	-	-	100	$\mu\text{s}$	Figure 2.28		
IWDT-dedicated clock oscillation frequency	$f_{ILOCO}$	12.75	15	17.25	kHz	-		
MOCO clock oscillation frequency	$f_{MOCO}$	6.8	8	9.2	MHz	-		
MOCO clock oscillation stabilization time	$t_{MOCO}$	-	-	1	$\mu\text{s}$	-		
HOCO clock oscillation frequency	$f_{HOCO24}$	23.64	24	24.36	MHz	Ta = -40 to -20°C 1.8 ≤ VCC ≤ 5.5		
		22.68	24	25.32		Ta = -40 to 85°C 1.6 ≤ VCC < 1.8		
		23.76	24	24.24		Ta = -20 to 85°C 1.8 ≤ VCC ≤ 5.5		
		23.52	24	24.48		Ta = 85 to 105°C 2.4 ≤ VCC ≤ 5.5		
	$f_{HOCO32}$	31.52	32	32.48		Ta = -40 to -20°C 1.8 ≤ VCC ≤ 5.5		
		30.24	32	33.76		Ta = -40 to 85°C 1.6 ≤ VCC < 1.8		
		31.68	32	32.32		Ta = -20 to 85°C 1.8 ≤ VCC ≤ 5.5		
		31.36	32	32.64		Ta = 85 to 105°C 2.4 ≤ VCC ≤ 5.5		
	$f_{HOCO48}^{*4}$	47.28	48	48.72		Ta = -40 to -20°C 1.8 ≤ VCC ≤ 5.5		
		47.52	48	48.48		Ta = -20 to 85°C 1.8 ≤ VCC ≤ 5.5		
		47.04	48	48.96		Ta = 85 to 105°C 2.4 ≤ VCC ≤ 5.5		
	$f_{HOCO64}^{*5}$	63.04	64	64.96		Ta = -40 to -20°C 2.4 ≤ VCC ≤ 5.5		
		63.36	64	64.64		Ta = -20 to 85°C 2.4 ≤ VCC ≤ 5.5		
		62.72	64	65.28		Ta = 85 to 105°C 2.4 ≤ VCC ≤ 5.5		
	HOCO clock oscillation stabilization time <sup>*6, *7</sup>	Except Low-Voltage mode	$t_{HOCO24}$	-		-	$\mu\text{s}$	Figure 2.29
			$t_{HOCO32}$	-		-		
$t_{HOCO48}$			-	-				
$t_{HOCO64}$			-	-				
Low-Voltage mode		$t_{HOCO24}$	-	-	100.9			
		$t_{HOCO32}$	-	-				
		$t_{HOCO48}$	-	-				
PLL input frequency <sup>*2</sup>	$f_{PLLIN}$	4	-	12.5	MHz	-		
PLL circuit oscillation frequency <sup>*2</sup>	$f_{PLL}$	24	-	64	MHz	-		
PLL clock oscillation stabilization time <sup>*8</sup>	$t_{PLL}$	-	-	55.5	$\mu\text{s}$	Figure 2.31		
PLL free-running oscillation frequency	$f_{PLLFR}$	-	8	-	MHz	-		
Sub-clock oscillator oscillation frequency	$f_{SUB}$	-	32.768	-	kHz	-		
Sub-clock oscillation stabilization time <sup>*3</sup>	$t_{SUBOSC}$	-	0.5	-	s	Figure 2.32		

Note 1. Time until the clock can be used after the main clock oscillator stop bit (MOSCCR.MOSTP) is set to 0 (operating) when the external clock is stable.

Note 2. The VCC range that the PLL can be used is 2.4 to 5.5 V.

Note 3. After changing the setting of the SOSCCR.SOSTP bit to start sub-clock oscillator operation, only start using the sub-clock oscillator after the sub-clock oscillation stabilization wait time elapsed. Use the oscillator wait time value recommended by the oscillator manufacturer.

Note 4. The 48-MHz HOCO can be used within a VCC range of 1.8 V to 5.5 V.

Note 5. The 64-MHz HOCO can be used within a VCC range of 2.4 V to 5.5 V.

Note 6. This is a characteristic when HOCOCCR.HCSTP bit is set to 0 (oscillation) in MOCO stop state.

When HOCOCCR.HCSTP bit is set to 0 (oscillation) during MOCO oscillation, this specification is shortened by 1  $\mu\text{s}$ .

Note 7. Whether stabilization time has elapsed can be confirmed by OSCSF.HOCOSF.

Note 8. This is a characteristic when PLLCR.PLLSTP bit is set to 0 (operation) in MOCO stop state.

When PLLCR.PLLSTP bit is set to 0 (operation) during MOCO oscillation, this specification is shortened by 1  $\mu\text{s}$ .

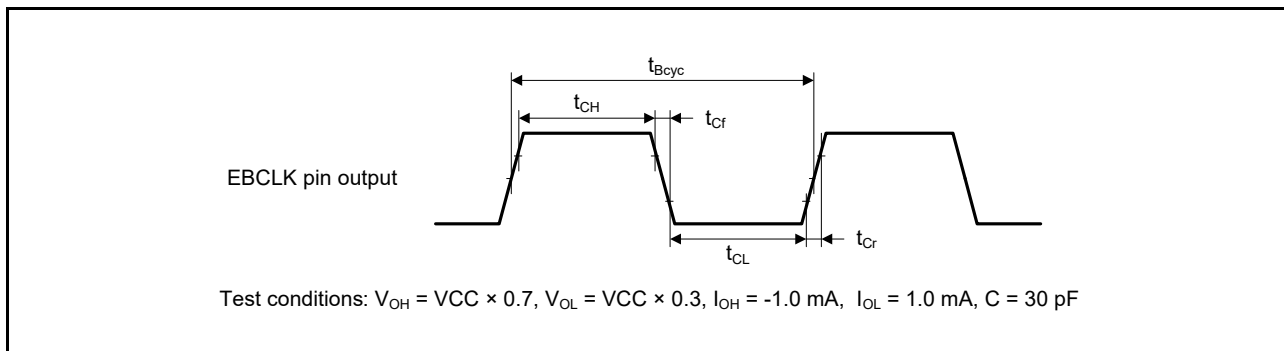


Figure 2.26 EBCLK pin output timing

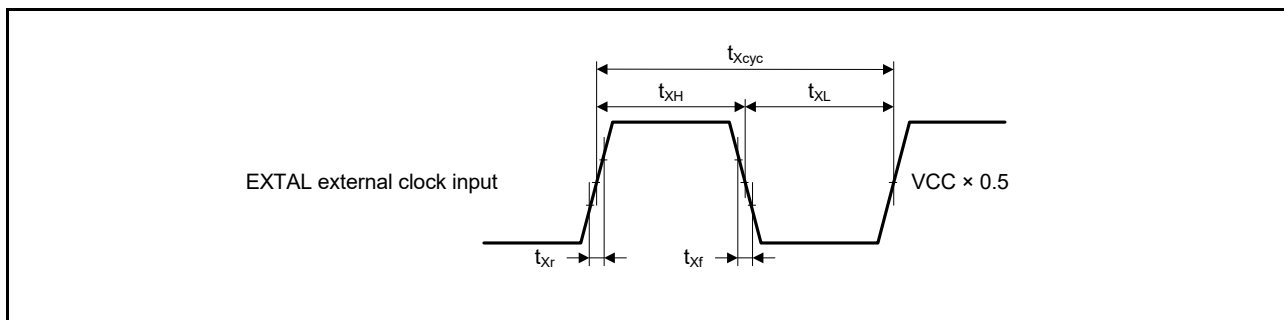


Figure 2.27 EXTAL external clock input timing

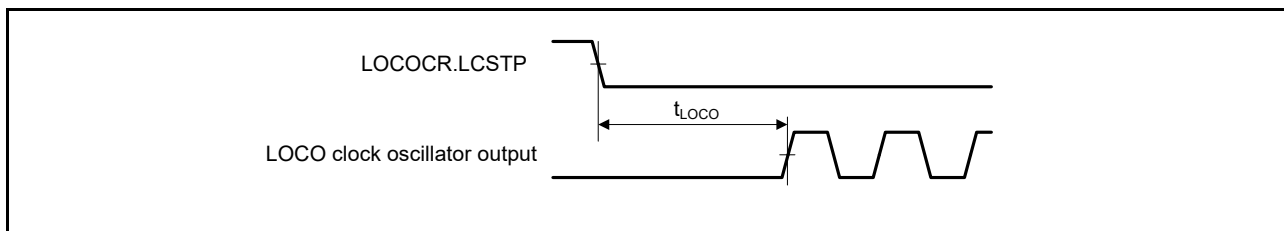


Figure 2.28 LOCO clock oscillation start timing

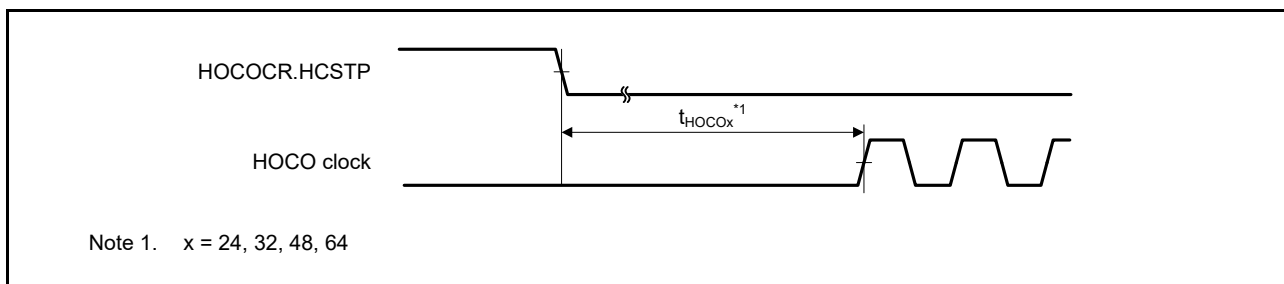
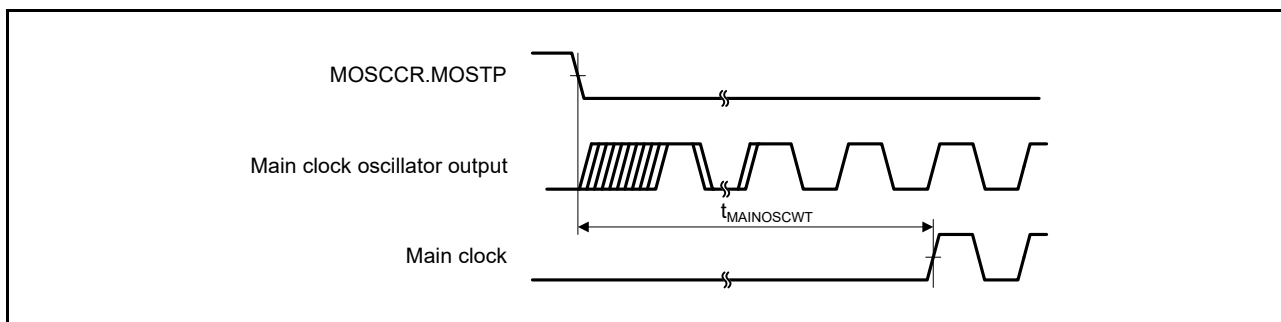
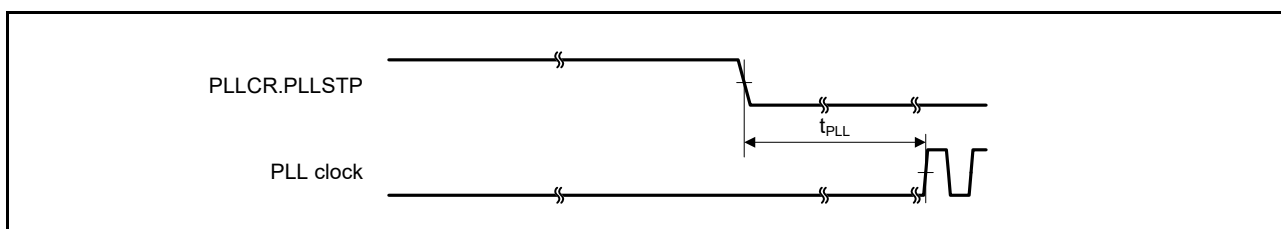


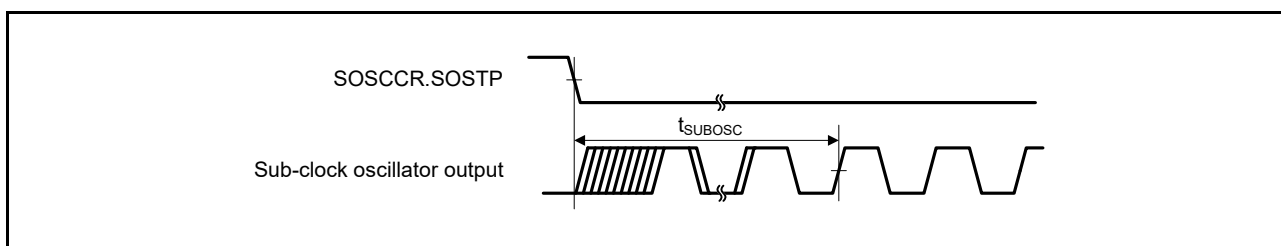
Figure 2.29 HOCO clock oscillation start timing (started by setting HOCOCR.HCSTP bit)



**Figure 2.30 Main clock oscillation start timing**



**Figure 2.31 PLL clock oscillation start timing (PLL is operated after main clock oscillation has settled)**



**Figure 2.32 Sub-clock oscillation start timing**

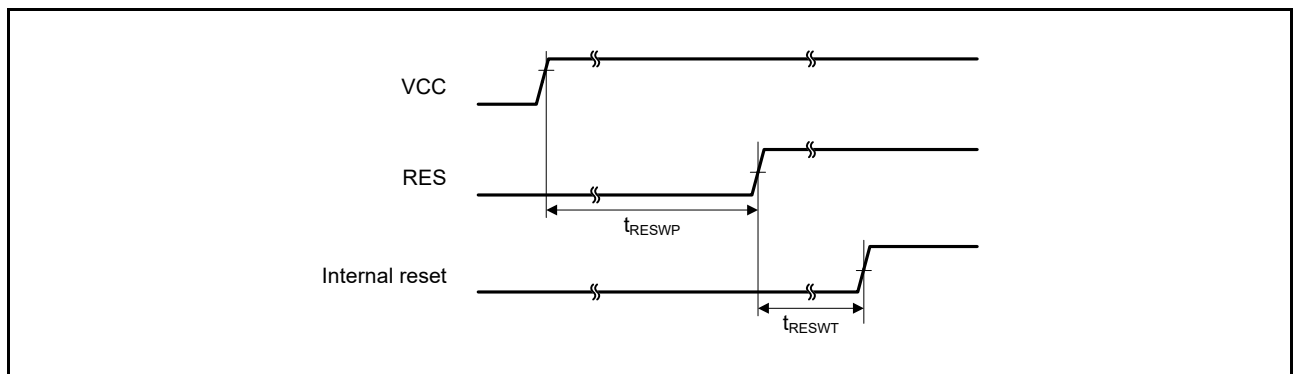
### 2.3.3 Reset Timing

**Table 2.24** Reset timing

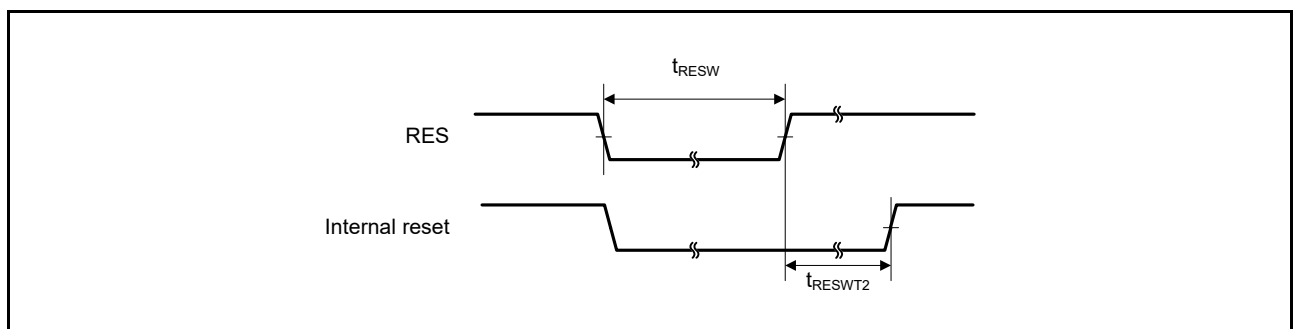
Parameter		Symbol	Min	Typ	Max	Unit	Test conditions
RES pulse width	At power-on	$t_{RESWP}$	3	-	-	ms	Figure 2.33
	Other than above	$t_{RESW}$	30	-	-	$\mu$ s	Figure 2.34
Wait time after RES cancellation (at power-on)	LVD0: enable*1	$t_{RESWT}$	-	0.7	-	ms	Figure 2.33
	LVD0: disable*2		-	0.3	-		
Wait time after RES cancellation (during powered-on state)	LVD0: enable*1	$t_{RESWT2}$	-	0.5	-	ms	Figure 2.34
	LVD0: disable*2		-	0.05	-		
Wait time after internal reset cancellation (Watchdog timer reset, SRAM parity error reset, SRAM ECC error reset, bus master MPU error reset, bus slave MPU error reset, stack pointer error reset, software reset)	LVD0: enable*1	$t_{RESWT3}$	-	0.6	-	ms	
	LVD0: disable*2		-	0.15	-		

Note 1. When OFS1.LVDAS = 0.

Note 2. When OFS1.LVDAS = 1.



**Figure 2.33** Reset input timing at power-on



**Figure 2.34** Reset input timing (1)

## 2.3.4 Wakeup Time

Table 2.25 Timing of recovery from Low power modes (1)

Parameter				Symbol	Min	Typ	Max	Unit	Test conditions	
Recovery time from Software Standby mode*1	High-speed mode	Crystal resonator connected to main clock oscillator	System clock source is main clock oscillator (20 MHz)*2	t <sub>SBYMC</sub>	-	2	3	ms	Figure 2.35	
			System clock source is PLL (48 MHz) with Main clock oscillator*2	t <sub>SBYPC</sub>	-	2	3	ms		
		External clock input to main clock oscillator	System clock source is main clock oscillator (20 MHz)*3	t <sub>SBYEX</sub>	-	14	25	μs		
			System clock source is PLL (48 MHz) with Main clock oscillator*3	t <sub>SBYPE</sub>	-	53	76	μs		
		System clock source is HOCO*4 (HOCO clock is 32 MHz)			t <sub>SBYHO</sub>	-	43	52		μs
		System clock source is HOCO*4 (HOCO clock is 48 MHz)			t <sub>SBYHO</sub>	-	44	52		μs
		System clock source is HOCO*5 (HOCO clock is 64 MHz)			t <sub>SBYHO</sub>	-	82	110		μs
		System clock source is MOCO			t <sub>SBYMO</sub>	-	16	25		μs

Note 1. The division ratio of ICK, BCK, FCK, and PCKx is the minimum division ratio within the allowable frequency range. The recovery time is determined by the system clock source.

Note 2. The Main Clock Oscillator Wait Control Register (MOSCWTCR) is set to 05h.

Note 3. The Main Clock Oscillator Wait Control Register (MOSCWTCR) is set to 00h.

Note 4. The HOCO Clock Wait Control Register (HOCOWTCR) is set to 05h.

Note 5. The HOCO Clock Wait Control Register (HOCOWTCR) is set to 06h.

Table 2.26 Timing of Recovery from Low power modes (2)

Parameter				Symbol	Min	Typ	Max	Unit	Test conditions	
Recovery time from Software Standby mode*1	Middle-speed mode	Crystal resonator connected to main clock oscillator	System clock source is main clock oscillator (12 MHz)*2	t <sub>SBYMC</sub>	-	2	3	ms	Figure 2.35	
			System clock source is PLL (24 MHz) with Main clock oscillator*2	t <sub>SBYPC</sub>	-	2	3	ms		
		External clock input to main clock oscillator	System clock source is main clock oscillator (12 MHz)*3	t <sub>SBYEX</sub>	-	2.9	10	μs		
			System clock source is PLL (24 MHz) with Main clock oscillator*3	t <sub>SBYPE</sub>	-	49	76	μs		
		System clock source is HOCO*4			t <sub>SBYHO</sub>	-	38	50		μs
		System clock source is MOCO			t <sub>SBYMO</sub>	-	3.5	5.5		μs

Note 1. The division ratio of ICK, BCK, FCK, and PCKx is the minimum division ratio within the allowable frequency range. The recovery time is determined by the system clock source.

Note 2. The Main Clock Oscillator Wait Control Register (MOSCWTCR) is set to 05h.

Note 3. The Main Clock Oscillator Wait Control Register (MOSCWTCR) is set to 00h.

Note 4. The system clock is 12 MHz.

**Table 2.27 Timing of recovery from Low power modes (3)**

Parameter				Symbol	Min	Typ	Max	Unit	Test conditions
Recovery time from Software Standby mode*1	Low-speed mode	Crystal resonator connected to main clock oscillator	System clock source is main clock oscillator (1 MHz)*2	t <sub>SBYMC</sub>	-	2	3	ms	Figure 2.35
		External clock input to main clock oscillator	System clock source is main clock oscillator (1 MHz)*3	t <sub>SBYEX</sub>	-	28	50	μs	
		System clock source is MOCO		t <sub>SBYMO</sub>	-	25	35	μs	

Note 1. The division ratio of ICK, BCK, FCK, and PCKx is the minimum division ratio within the allowable frequency range. The recovery time is determined by the system clock source.

Note 2. The Main Clock Oscillator Wait Control Register (MOSCWTCR) is set to 05h.

Note 3. The Main Clock Oscillator Wait Control Register (MOSCWTCR) is set to 00h.

**Table 2.28 Timing of recovery from Low power modes (4)**

Parameter				Symbol	Min	Typ	Max	Unit	Test conditions
Recovery time from Software Standby mode*1	Low-voltage mode	Crystal resonator connected to main clock oscillator	System clock source is main clock oscillator (4 MHz)*2	t <sub>SBYMC</sub>	-	2	3	ms	Figure 2.35
		External clock input to main clock oscillator	System clock source is main clock oscillator (4 MHz)*3	t <sub>SBYEX</sub>	-	108	130	μs	
		System clock source is HOCO		t <sub>SBYHO</sub>	-	108	130	μs	

Note 1. The division ratio of ICK, BCK, FCK, and PCKx is the minimum division ratio within the allowable frequency range. The recovery time is determined by the system clock source. When multiple oscillators are active, the recovery time can be determined by the following expression.

Note 2. The Main Clock Oscillator Wait Control Register (MOSCWTCR) is set to 05h.

Note 3. The Main Clock Oscillator Wait Control Register (MOSCWTCR) is set to 00h.

**Table 2.29 Timing of recovery from Low power modes (5)**

Parameter			Symbol	Min	Typ	Max	Unit	Test conditions
Recovery time from Software Standby mode*1	Subosc-speed mode	System clock source is sub-clock oscillator (32.768 kHz)	t <sub>SBYSC</sub>	-	0.85	1	ms	Figure 2.35
		System clock source is LOCO (32.768 kHz)	t <sub>SBYLO</sub>	-	0.85	1.2	ms	

Note 1. The sub-clock oscillator or LOCO itself continues to oscillate in Software Standby mode during Subosc-speed mode.



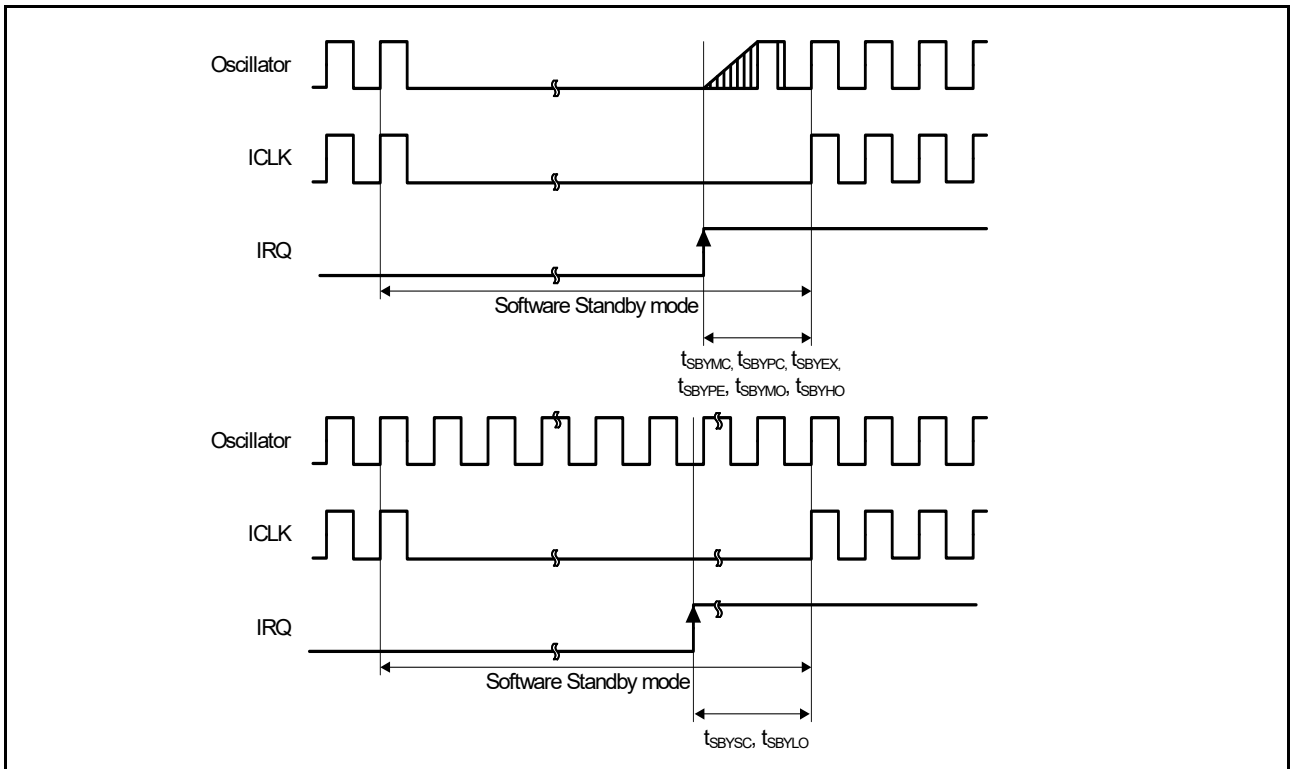


Figure 2.35 Software Standby mode cancellation timing

Table 2.30 Timing of recovery from Low power modes (6)

Parameter		Symbol	Min	Typ	Max	Unit	Test conditions
Recovery time from Software Standby mode to Snooze mode	High-speed mode System clock source is HOCO	$t_{SNZ}$	-	36	45	$\mu s$	Figure 2.36
	Middle-speed mode System clock source is MOCO	$t_{SNZ}$	-	1.3	3.6	$\mu s$	
	Low-speed mode System clock source is MOCO	$t_{SNZ}$	-	10	13	$\mu s$	
	Low-voltage mode System clock source is HOCO	$t_{SNZ}$	-	87	110	$\mu s$	

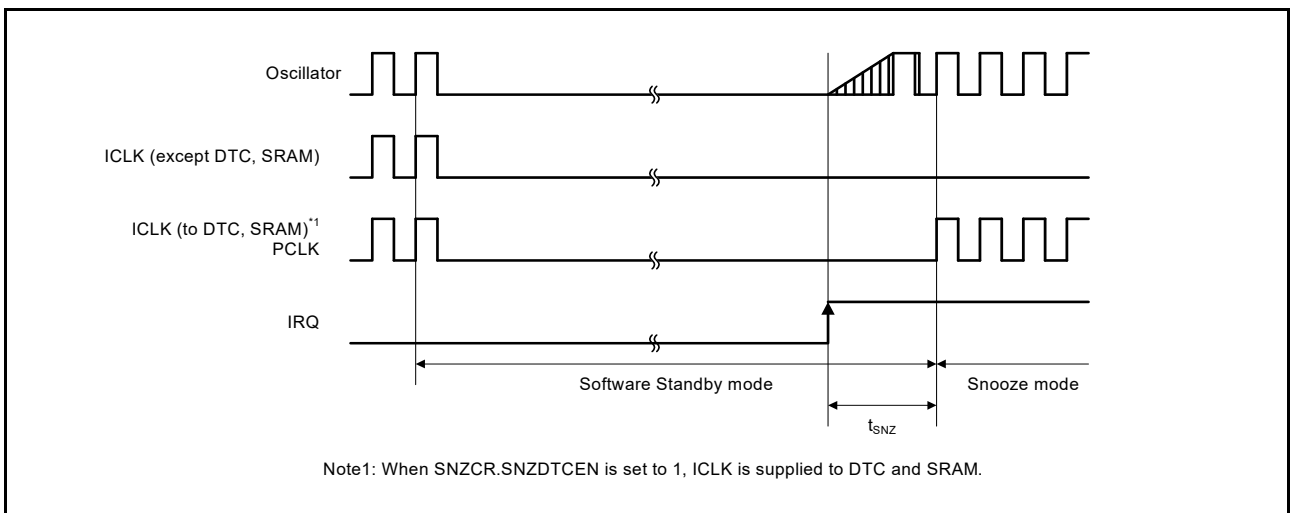


Figure 2.36 Recovery timing from Software Standby mode to Snooze mode

## 2.3.5 NMI and IRQ Noise Filter

Table 2.31 NMI and IRQ noise filter

Parameter	Symbol	Min	Typ	Max	Unit	Test conditions	
NMI pulse width	$t_{\text{NMIW}}$	200	-	-	ns	NMI digital filter disabled	$t_{\text{Pcyc}} \times 2 \leq 200$ ns
		$t_{\text{Pcyc}} \times 2^{*1}$	-	-			$t_{\text{Pcyc}} \times 2 > 200$ ns
		200	-	-		NMI digital filter enabled	$t_{\text{NMICK}} \times 3 \leq 200$ ns
		$t_{\text{NMICK}} \times 3.5^{*2}$	-	-			$t_{\text{NMICK}} \times 3 > 200$ ns
IRQ pulse width	$t_{\text{IRQW}}$	200	-	-	ns	IRQ digital filter disabled	$t_{\text{Pcyc}} \times 2 \leq 200$ ns
		$t_{\text{Pcyc}} \times 2^{*1}$	-	-			$t_{\text{Pcyc}} \times 2 > 200$ ns
		200	-	-		IRQ digital filter enabled	$t_{\text{IRQCK}} \times 3 \leq 200$ ns
		$t_{\text{IRQCK}} \times 3.5^{*3}$	-	-			$t_{\text{IRQCK}} \times 3 > 200$ ns

Note: 200 ns minimum in Software Standby mode.

Note: If the clock source is switched, add 4 clock cycles of the switched source.

Note 1.  $t_{\text{Pcyc}}$  indicates the cycle of PCLKB.

Note 2.  $t_{\text{NMICK}}$  indicates the cycle of the NMI digital filter sampling clock.

Note 3.  $t_{\text{IRQCK}}$  indicates the cycle of the IRQ<sub>i</sub> digital filter sampling clock (i = 0 to 15).

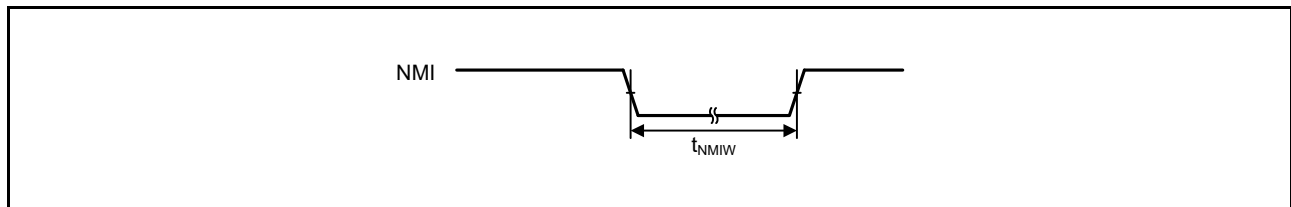


Figure 2.37 NMI interrupt input timing

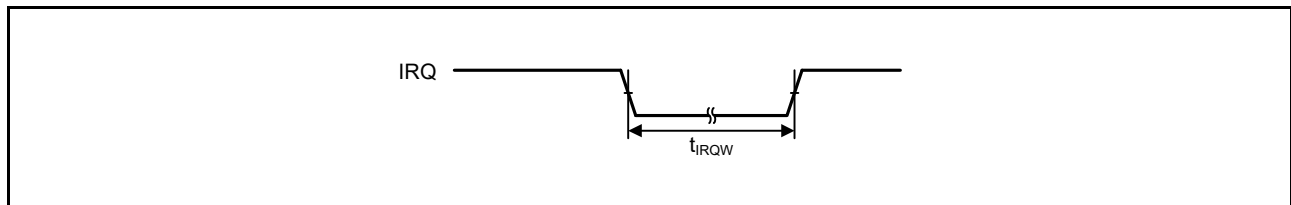


Figure 2.38 IRQ interrupt input timing

### 2.3.6 Bus Timing

**Table 2.32 Bus timing (1)**

Conditions: Low drive output is selected in the Port Drive Capability bit in PmnPFS register

VCC = AVCC0 = 2.7 to 5.5 V

Output load conditions:  $V_{OH} = VCC \times 0.5$ ,  $V_{OL} = VCC \times 0.5$ , C = 30 pF

Parameter	Symbol	Min	Max	Unit	Test conditions
Address delay	$t_{AD}$	-	55	ns	Figure 2.39 to Figure 2.42
Byte control delay	$t_{BCD}$	-	55	ns	
CS delay	$t_{CSD}$	-	55	ns	
RD delay	$t_{RSD}$	-	55	ns	
Read data setup time	$t_{RDS}$	37	-	ns	
Read data hold time	$t_{RDH}$	0	-	ns	
WR delay	$t_{WRD}$	-	55	ns	
Write data delay	$t_{WDD}$	-	55	ns	
Write data hold time	$t_{WDH}$	0	-	ns	Figure 2.43
WAIT setup time	$t_{WTS}$	37	-	ns	
WAIT hold time	$t_{WTH}$	0	-	ns	

**Table 2.33 Bus timing (2)**

Conditions: Low drive output is selected in the Port Drive Capability bit in the PmnPFS register

VCC = AVCC0 = 2.4 to 2.7 V

Output load conditions:  $V_{OH} = VCC \times 0.5$ ,  $V_{OL} = VCC \times 0.5$ , C = 30 pF

Parameter	Symbol	Min	Max	Unit	Test conditions
Address delay	$t_{AD}$	-	55	ns	Figure 2.39 to Figure 2.42
Byte control delay	$t_{BCD}$	-	55	ns	
CS delay	$t_{CSD}$	-	55	ns	
RD delay	$t_{RSD}$	-	55	ns	
Read data setup time	$t_{RDS}$	45	-	ns	
Read data hold time	$t_{RDH}$	0	-	ns	
WR delay	$t_{WRD}$	-	55	ns	
Write data delay	$t_{WDD}$	-	55	ns	
Write data hold time	$t_{WDH}$	0	-	ns	Figure 2.43
WAIT setup time	$t_{WTS}$	45	-	ns	
WAIT hold time	$t_{WTH}$	0	-	ns	

**Table 2.34 Bus timing (3) (1 of 2)**

Conditions: Low drive output is selected in the Port Drive Capability bit in the PmnPFS register

VCC = AVCC0 = 1.8 to 2.4 V

Output load conditions:  $V_{OH} = VCC \times 0.5$ ,  $V_{OL} = VCC \times 0.5$ , C = 30 pF

Parameter	Symbol	Min	Max	Unit	Test conditions
Address delay	$t_{AD}$	-	90	ns	Figure 2.39 to Figure 2.42
Byte control delay	$t_{BCD}$	-	90	ns	
CS delay	$t_{CSD}$	-	90	ns	
RD delay	$t_{RSD}$	-	90	ns	
Read data setup time	$t_{RDS}$	70	-	ns	
Read data hold time	$t_{RDH}$	0	-	ns	
WR delay	$t_{WRD}$	-	90	ns	
Write data delay	$t_{WDD}$	-	90	ns	
Write data hold time	$t_{WDH}$	0	-	ns	

**Table 2.34 Bus timing (3) (2 of 2)**

Conditions: Low drive output is selected in the Port Drive Capability bit in the PmnPFS register

VCC = AVCC0 = 1.8 to 2.4 V

Output load conditions:  $V_{OH} = VCC \times 0.5$ ,  $V_{OL} = VCC \times 0.5$ ,  $C = 30$  pF

Parameter	Symbol	Min	Max	Unit	Test conditions
WAIT setup time	$t_{WTS}$	70	-	ns	Figure 2.43
WAIT hold time	$t_{WTH}$	0	-	ns	

**Table 2.35 Bus timing (4)**

Conditions: Low drive output is selected in the Port Drive Capability bit in the PmnPFS register

VCC = AVCC0 = 1.6 to 1.8 V

Output load conditions:  $V_{OH} = VCC \times 0.5$ ,  $V_{OL} = VCC \times 0.5$ ,  $C = 30$  pF

Parameter	Symbol	Min	Max	Unit	Test conditions
Address delay	$t_{AD}$	-	120	ns	Figure 2.39 to Figure 2.42
Byte control delay	$t_{BCD}$	-	120	ns	
CS delay	$t_{CSD}$	-	120	ns	
RD delay	$t_{RSD}$	-	120	ns	
Read data setup time	$t_{RDS}$	90	-	ns	
Read data hold time	$t_{RDH}$	0	-	ns	
WR delay	$t_{WRD}$	-	120	ns	
Write data delay	$t_{WDD}$	-	120	ns	
Write data hold time	$t_{WDH}$	0	-	ns	
WAIT setup time	$t_{WTS}$	90	-	ns	Figure 2.43
WAIT hold time	$t_{WTH}$	0	-	ns	

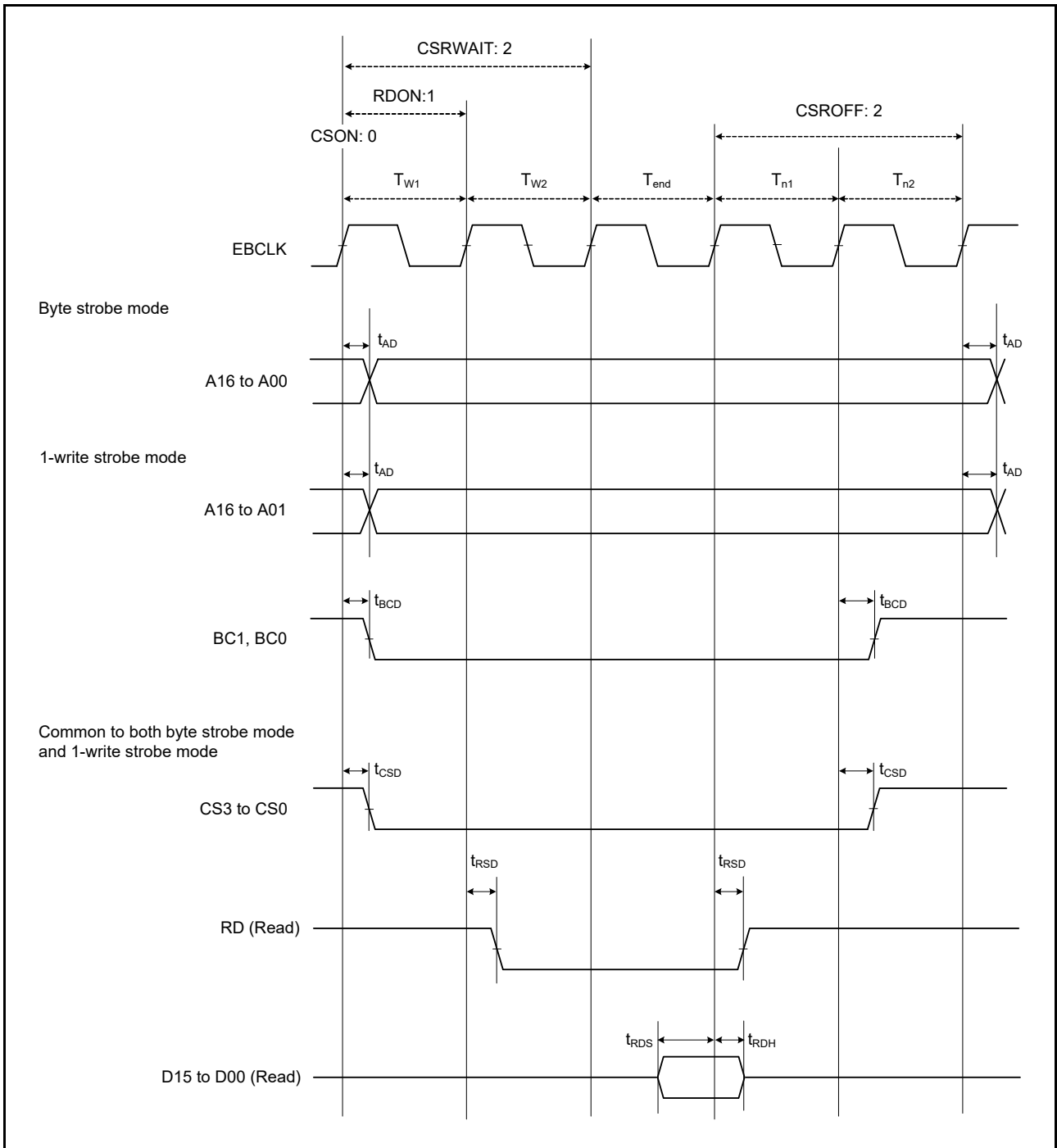


Figure 2.39 External bus timing/normal read cycle (bus clock synchronized)

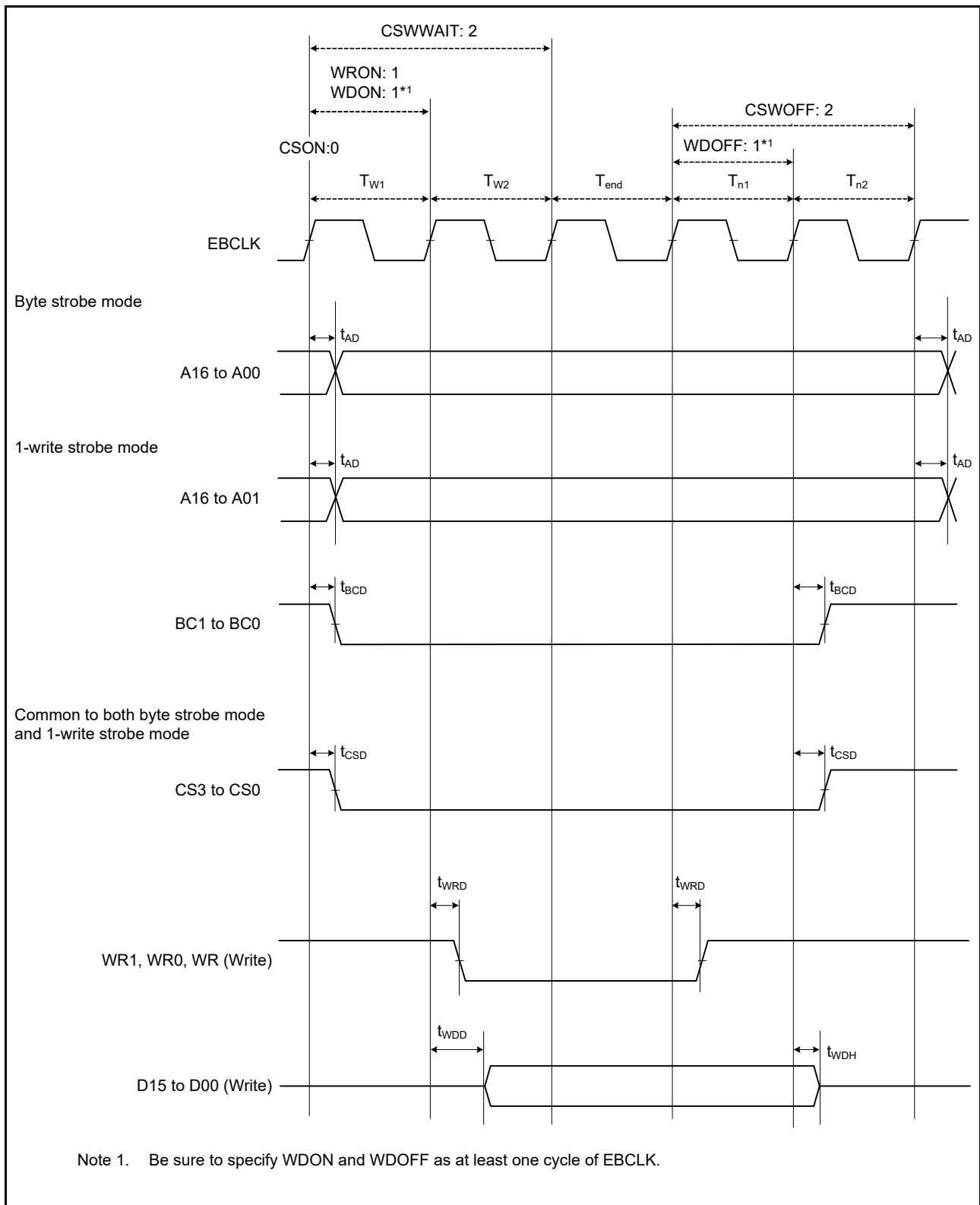


Figure 2.40 External bus timing/normal write cycle (bus clock synchronized)

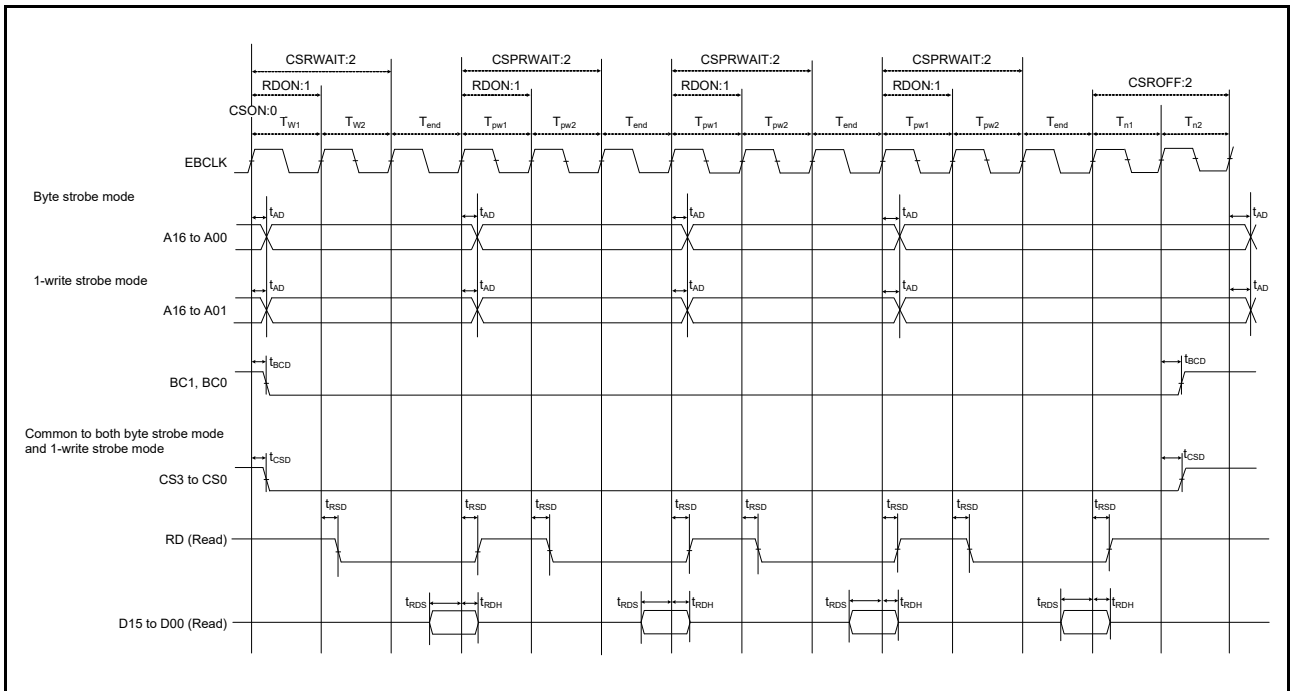


Figure 2.41 External bus timing/page read cycle (bus clock synchronized)

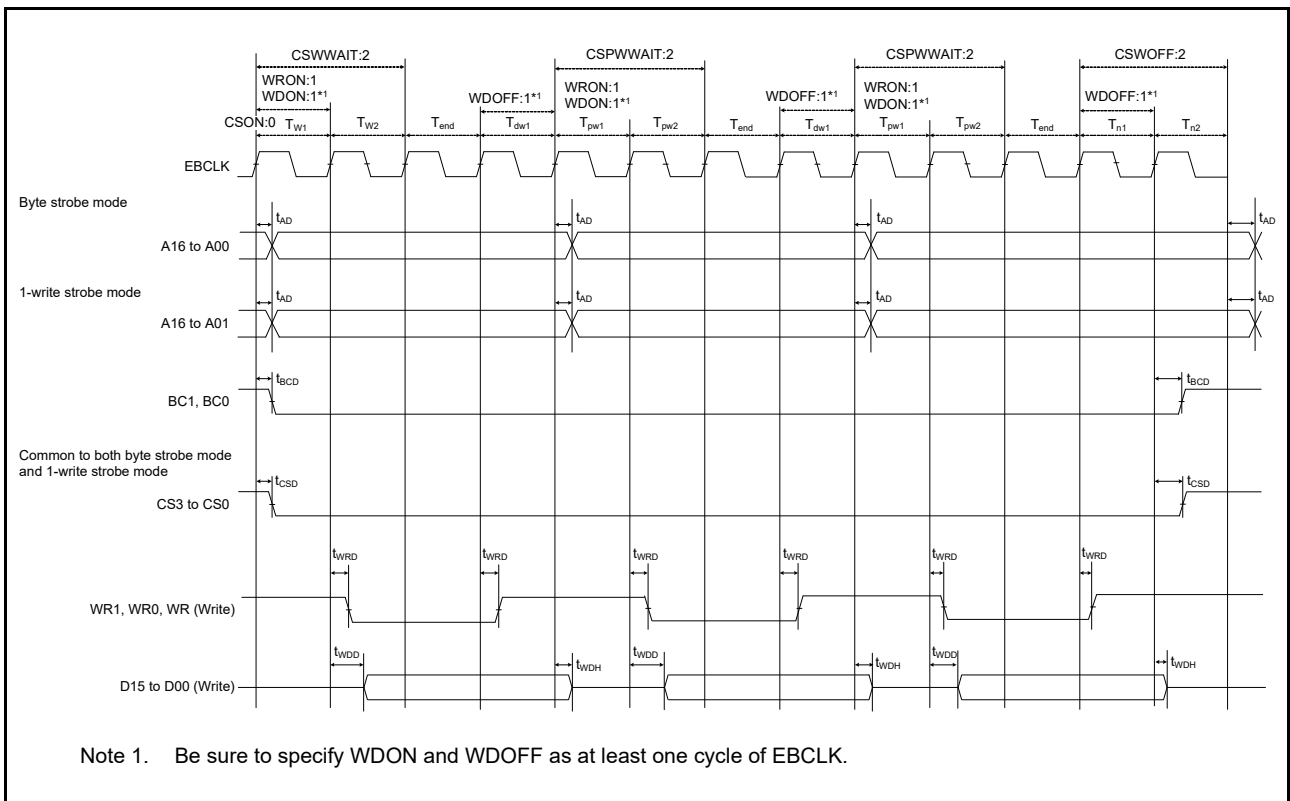


Figure 2.42 External bus timing/page write cycle (bus clock synchronized)

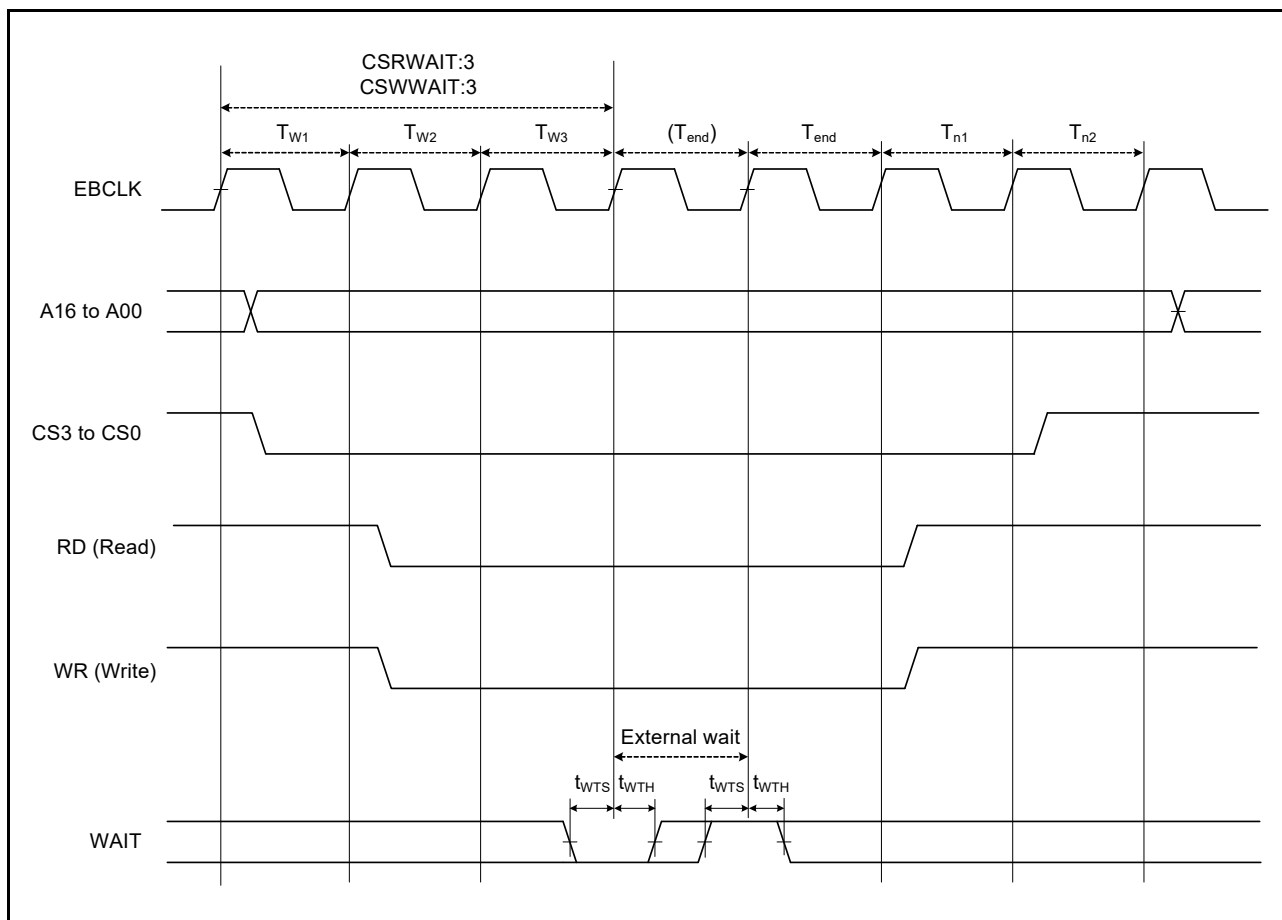


Figure 2.43 External bus timing/external wait control



## 2.3.7 I/O Ports, POEG, GPT, AGT, KINT, and ADC14 Trigger Timing

Table 2.36 I/O Ports, POEG, GPT, AGT, KINT, and ADC14 trigger timing

Parameter		Symbol	Min	Max	Unit	Test conditions	
I/O Ports	Input data pulse width	$t_{PRW}$	1.5	-	$t_{Pcyc}$	Figure 2.44	
	Input/Output data cycle (P002, P003, P004, P007)	$t_{POcyc}$	10	-	$\mu s$		
POEG	POEG input trigger pulse width	$t_{POEW}$	3	-	$t_{Pcyc}$	Figure 2.45	
GPT	Input capture pulse width	Single edge	1.5	-	$t_{PDcyc}$	Figure 2.46	
		Dual edge	2.5	-			
AGT	AGTIO, AGTEE input cycle	$2.7 V \leq VCC \leq 5.5 V$	$t_{ACYC}^{*1}$	250	-	ns	Figure 2.47
		$2.4 V \leq VCC < 2.7 V$		500	-	ns	
		$1.8 V \leq VCC < 2.4 V$		1000	-	ns	
		$1.6 V \leq VCC < 1.8 V$		2000	-	ns	
	AGTIO, AGTEE input high level width, low-level width	$2.7 V \leq VCC \leq 5.5 V$	$t_{ACKWH}$ , $t_{ACKWL}$	100	-	ns	
		$2.4 V \leq VCC < 2.7 V$		200	-	ns	
		$1.8 V \leq VCC < 2.4 V$		400	-	ns	
		$1.6 V \leq VCC < 1.8 V$		800	-	ns	
	AGTIO, AGTO, AGTOA, AGTOB output cycle	$2.7 V \leq VCC \leq 5.5 V$	$t_{ACYC2}$	62.5	-	ns	
		$2.4 V \leq VCC < 2.7 V$		125	-	ns	
		$1.8 V \leq VCC < 2.4 V$		250	-	ns	
		$1.6 V \leq VCC < 1.8 V$		500	-	ns	
ADC14	14-bit A/D converter trigger input pulse width	$t_{TRGW}$	1.5	-	$t_{Pcyc}$	Figure 2.48	
KINT	KRn (n = 00 to 07) pulse width	$t_{KR}$	250	-	ns	Figure 2.49	

Note:  $t_{Pcyc}$ : PCLKB cycle,  $t_{PDcyc}$ : PCLKD cycle

Note 1. Constraints on input cycle:

When not switching the source clock:  $t_{Pcyc} \times 2 < t_{ACYC}$  should be satisfied.

When switching the source clock:  $t_{Pcyc} \times 6 < t_{ACYC}$  should be satisfied.

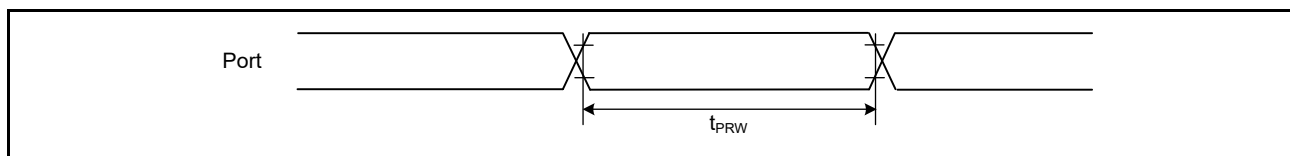


Figure 2.44 I/O ports input timing

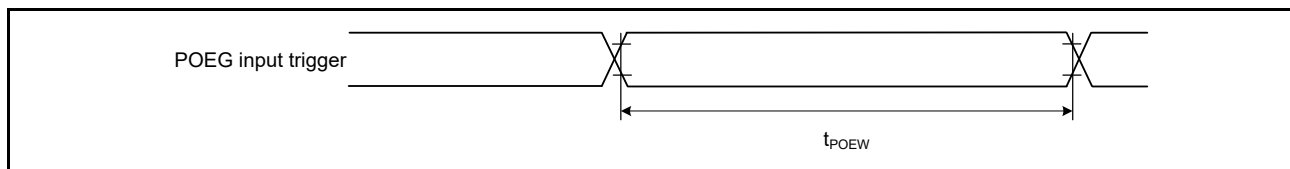


Figure 2.45 POEG input trigger timing

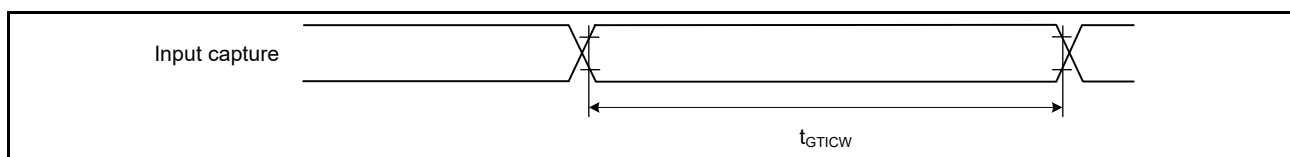


Figure 2.46 GPT input capture timing

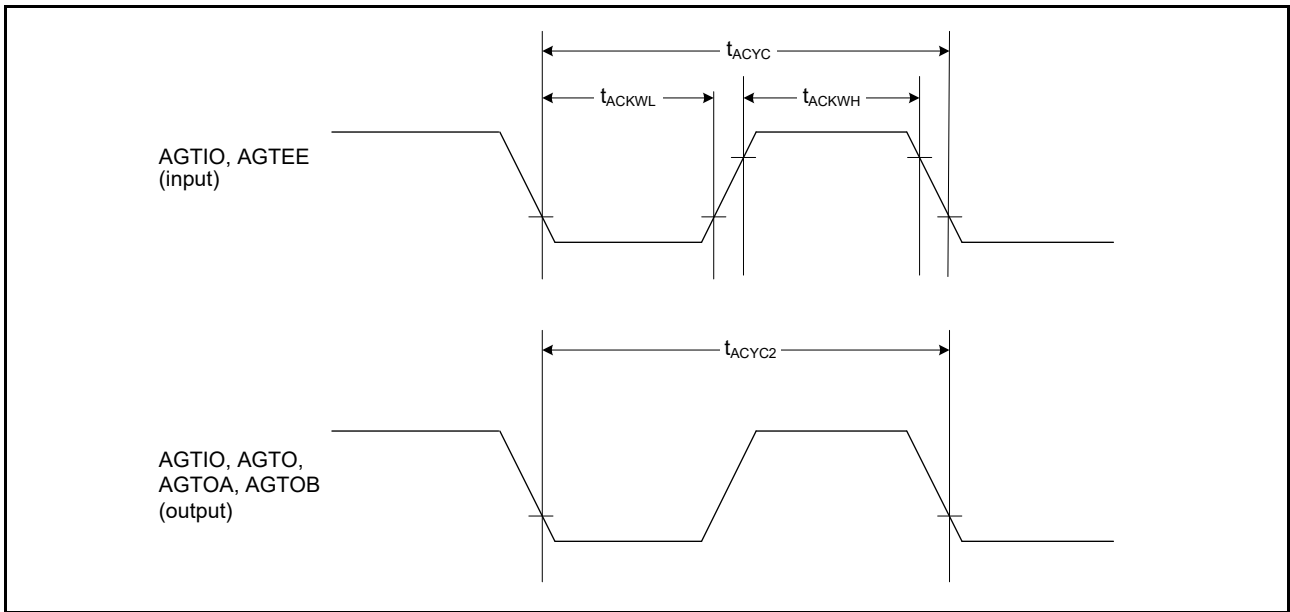


Figure 2.47 AGT I/O timing

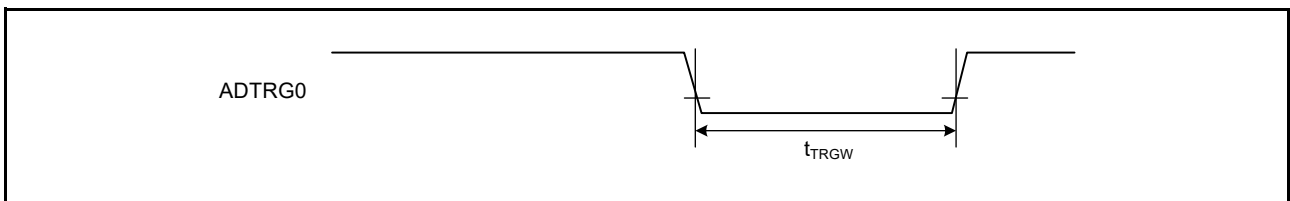


Figure 2.48 ADC14 trigger input timing

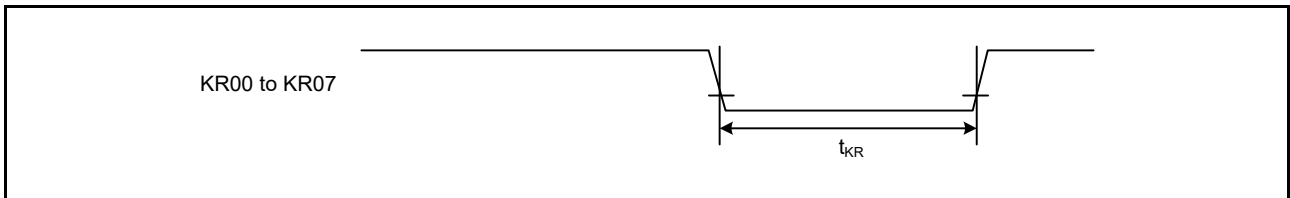


Figure 2.49 Key interrupt input timing

### 2.3.8 CAC Timing

Table 2.37 CAC timing

Parameter		Symbol	Min	Typ	Max	Unit	Test conditions
CAC	CACREF input pulse width	$t_{CACREF}$	$t_{PBcyc} \leq t_{cac} * 2$	$4.5 \times t_{cac} + 3 \times t_{PBcyc}$	-	-	ns
			$t_{PBcyc} > t_{cac} * 2$	$5 \times t_{cac} + 6.5 \times t_{PBcyc}$	-	-	ns

Note 1.  $t_{PBcyc}$ : PCLKB cycle.

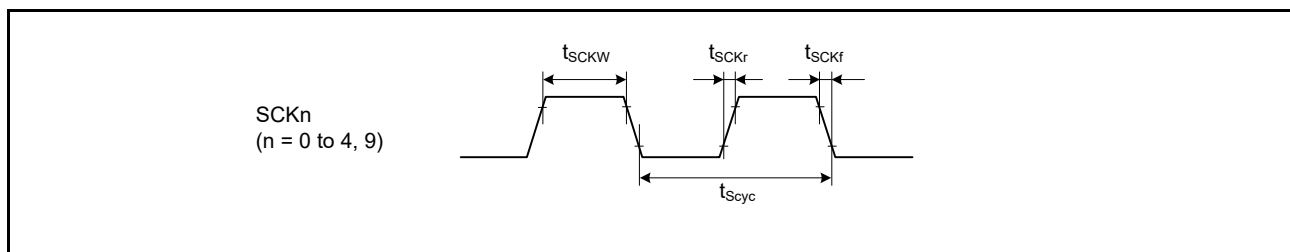
Note 2.  $t_{cac}$ : CAC count clock source cycle.

## 2.3.9 SCI Timing

**Table 2.38 SCI timing (1)**

Conditions: VCC = AVCC0 = 1.6 to 5.5 V

Parameter		Symbol	Min	Max	Unit*1	Test conditions			
SCI	Input clock cycle	Asynchronous	$t_{Scyc}$	4	-	$t_{Pcyc}$	Figure 2.50		
		Clock synchronous		6	-				
	Input clock pulse width		$t_{SCKW}$	0.4	0.6	$t_{Scyc}$			
	Input clock rise time		$t_{SCKr}$	-	20	ns			
	Input clock fall time		$t_{SCKf}$	-	20	ns			
	Output clock cycle	Asynchronous	$t_{Scyc}$	6	-	$t_{Pcyc}$			
		Clock synchronous		4	-				
	Output clock pulse width		$t_{SCKW}$	0.4	0.6	$t_{Scyc}$			
	Output clock rise time		$t_{SCKr}$	1.8 V or above	-	20		ns	
				1.6 V or above	-	30			
	Output clock fall time		$t_{SCKf}$	1.8 V or above	-	20		ns	
				1.6 V or above	-	30			
	Transmit data delay (master)	Clock synchronous	$t_{TXD}$	1.8 V or above	-	40		ns	Figure 2.51
				1.6 V or above	-	45			
Transmit data delay (slave)	Clock synchronous	$t_{TXD}$	2.7 V or above	-	55	ns			
			2.4 V or above	-	60				
			1.8 V or above	-	100				
			1.6 V or above	-	125				
Receive data setup time (master)	Clock synchronous	$t_{RXS}$	2.7 V or above	45	-	ns			
			2.4 V or above	55	-				
			1.8 V or above	90	-				
			1.6 V or above	105	-				
Receive data setup time (slave)	Clock synchronous	$t_{RXS}$	2.7 V or above	40	-	ns			
			1.6 V or above	45	-				
Receive data hold time (master)	Clock synchronous	$t_{RXH}$	5	-	ns				
Receive data hold time (slave)	Clock synchronous	$t_{RXH}$	40	-	ns				

Note 1.  $t_{Pcyc}$ : PCLKA cycle.**Figure 2.50 SCK clock input timing**

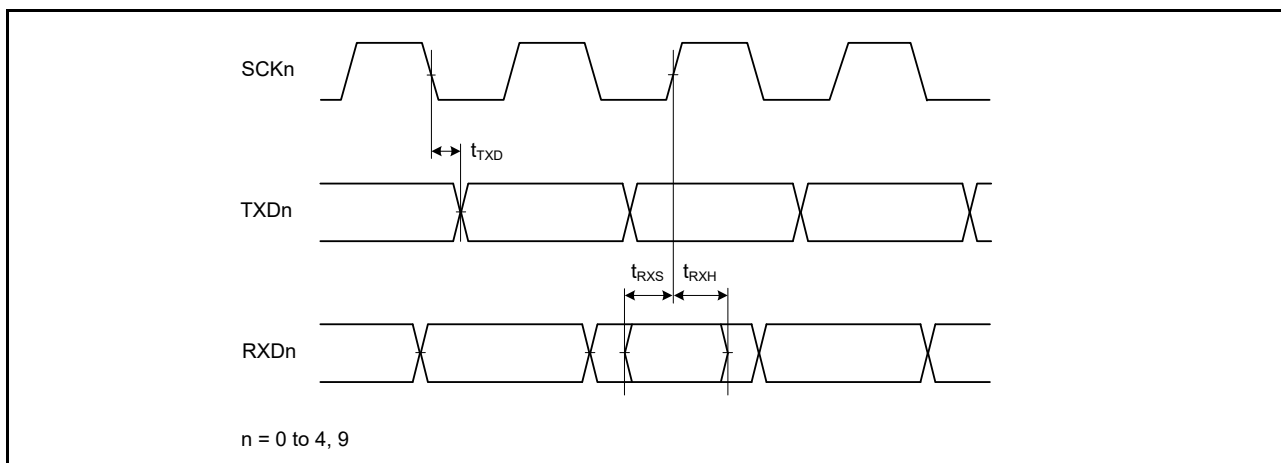


Figure 2.51 SCI input/output timing in clock synchronous mode

**Table 2.39 SCI timing (2)**

Conditions: VCC = AVCC0 = 1.6 to 5.5 V

Parameter			Symbol	Min	Max	Unit	Test conditions		
Simple SPI	SCK clock cycle output (master)		$t_{SPcyc}$	4	65536	$t_{Pcyc}$	Figure 2.52		
	SCK clock cycle input (slave)			6	65536				
	SCK clock high pulse width		$t_{SPCKWH}$	0.4	0.6	$t_{SPcyc}$			
	SCK clock low pulse width		$t_{SPCKWL}$	0.4	0.6	$t_{SPcyc}$			
	SCK clock rise and fall time		$t_{SPCKr}$ , $t_{SPCKf}$	1.8 V or above	-	20		ns	
				1.6 V or above	-	30			
	Data input setup time	Master	2.7 V or above	$t_{SU}$	45	-		ns	Figure 2.53 to Figure 2.56
			2.4 V or above		55	-			
			1.8 V or above		80	-			
			1.6 V or above		105	-			
Slave		2.7 V or above	40		-				
		1.6 V or above	45		-				
Data input hold time	Master		$t_H$	33.3	-	ns			
	Slave			40	-				
SS input setup time			$t_{LEAD}$	1	-	$t_{SPcyc}$			
SS input hold time			$t_{LAG}$	1	-	$t_{SPcyc}$			
Data output delay	Master	1.8 V or above	$t_{OD}$	-	40	ns			
		1.6 V or above		-	50				
	Slave	2.4 V or above		-	65				
		1.8 V or above		-	100				
		1.6 V or above		-	125				
Data output hold time	Master	2.7 V or above	$t_{OH}$	-10	-	ns			
		2.4 V or above		-20	-				
		1.8 V or above		-30	-				
		1.6 V or above		-40	-				
	Slave				-10		-		
	Data rise and fall time	Master		1.8 V or above	$t_{Dr}$ , $t_{Df}$		-	20	ns
1.6 V or above			-	30					
Slave		1.8 V or above	-	20					
		1.6 V or above	-	30					
Slave access time			$t_{SA}$	-	10 (PCLKA > 32 MHz), 6 (PCLKA ≤ 32 MHz)	$t_{Pcyc}$	Figure 2.55 and Figure 2.56 PCLKB = PCLKA		
Slave output release time			$t_{REL}$	-	10 (PCLKA > 32 MHz), 6 (PCLKA ≤ 32 MHz)	$t_{Pcyc}$			

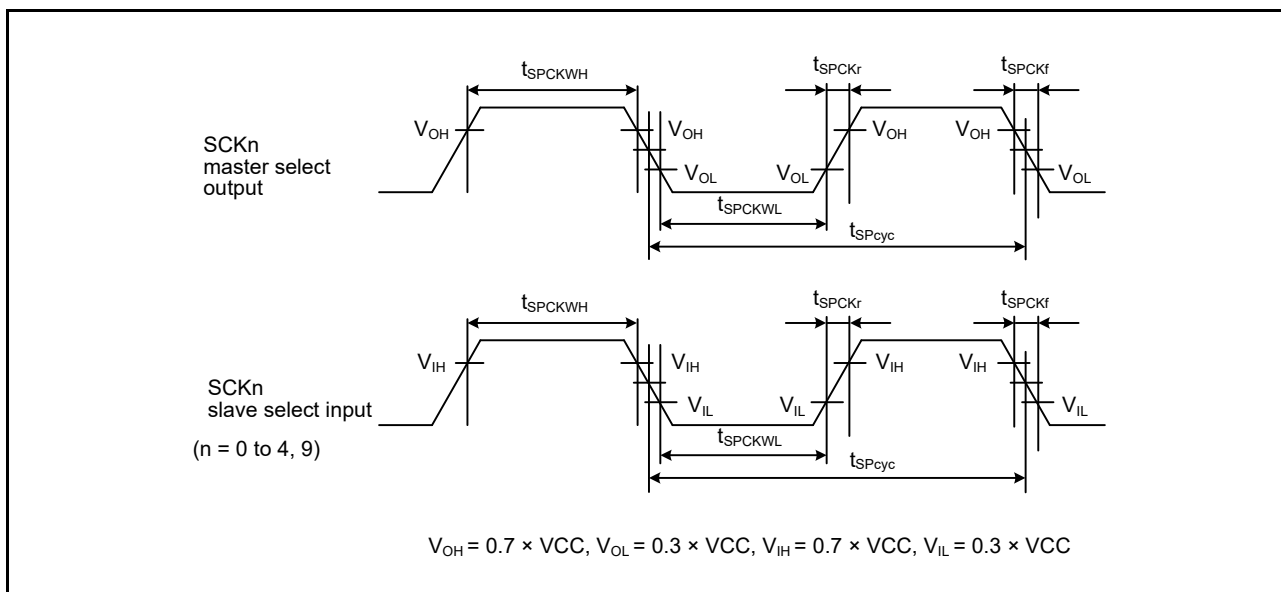


Figure 2.52 SCKn master select output and slave select input timing

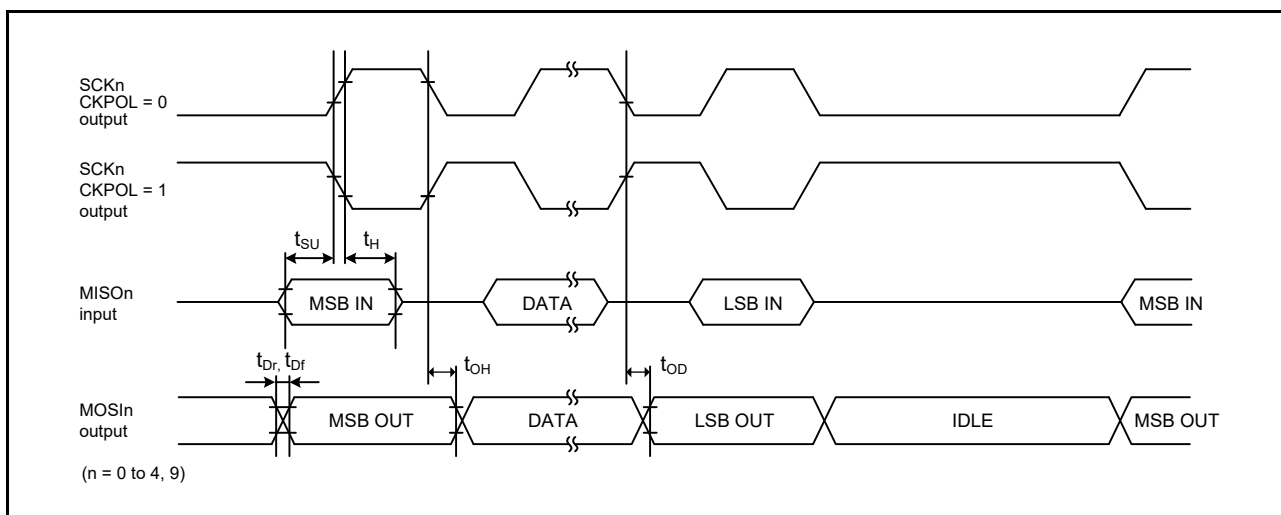


Figure 2.53 SCKn master select output and slave select input timing (master, CKPH = 1)

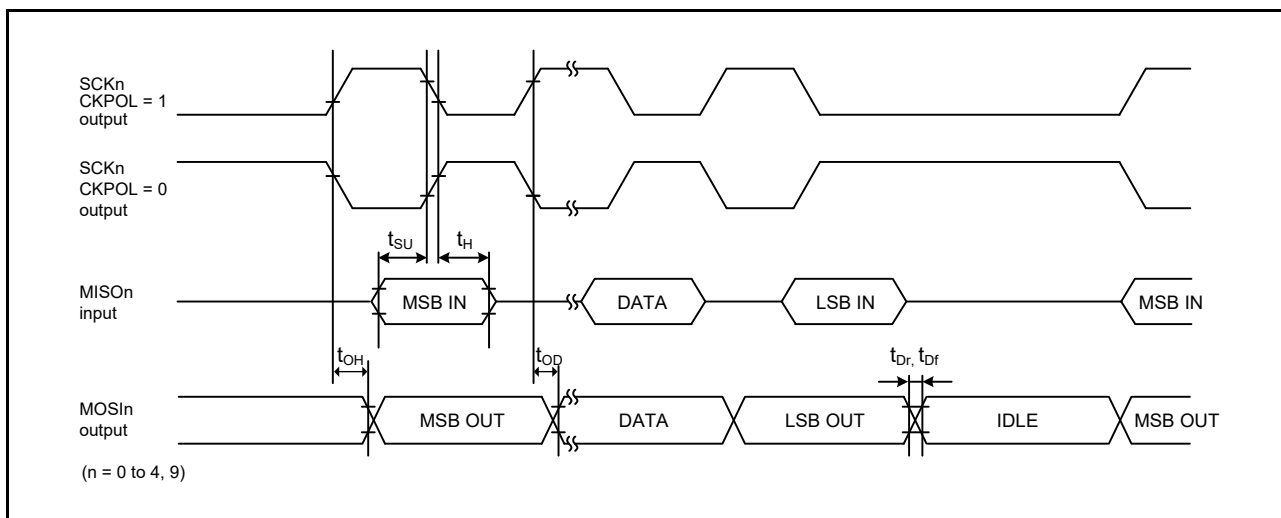


Figure 2.54 SCI simple SPI mode timing (master, CKPH = 0)

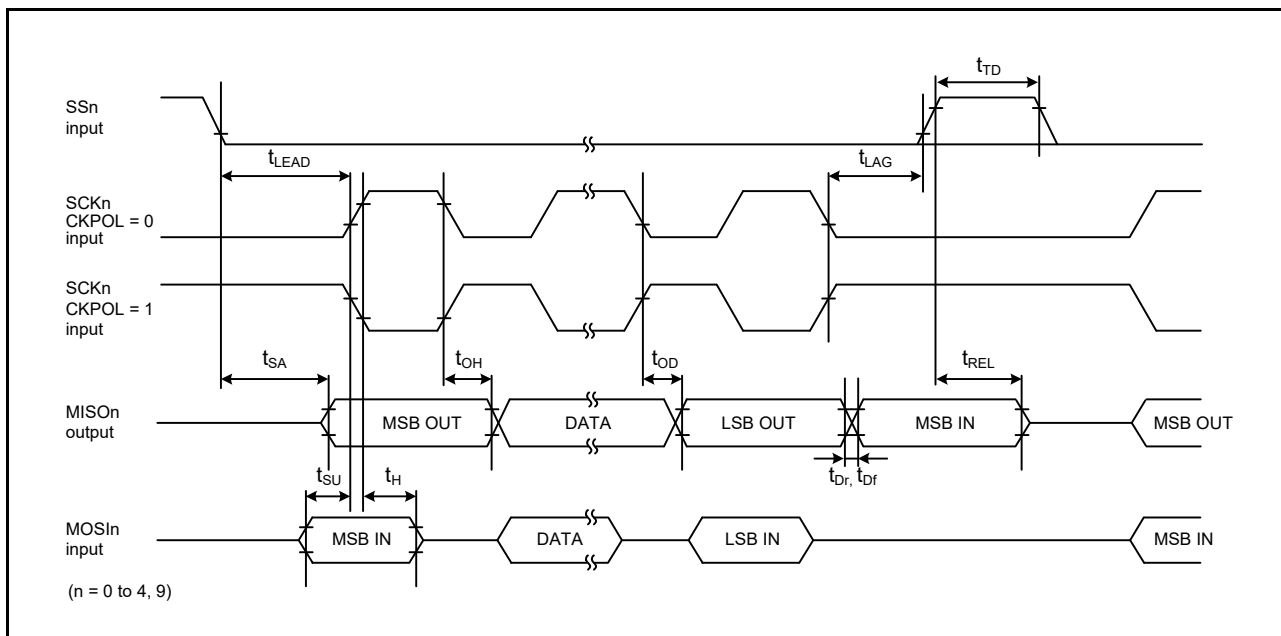


Figure 2.55 SCI simple SPI mode timing (slave, CKPH = 1)

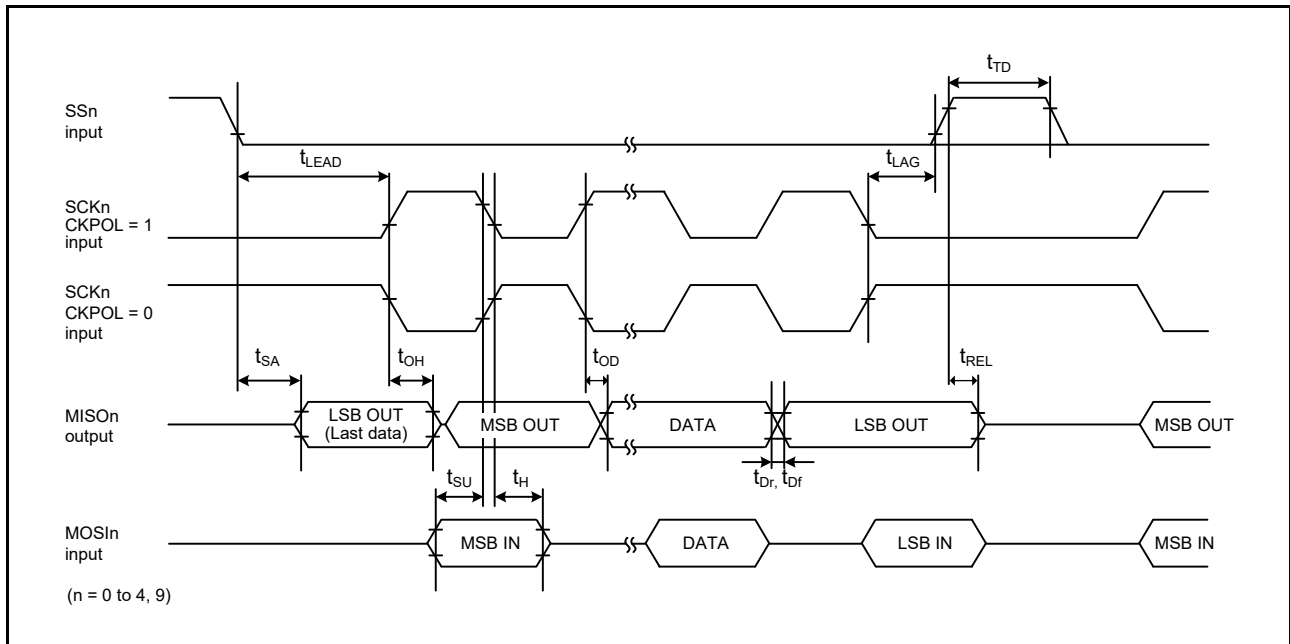


Figure 2.56 SCI simple SPI mode timing (slave, CKPH = 0)

Table 2.40 SCI timing (3)

Conditions: VCC = AVCC0 = 2.7 to 5.5 V

Parameter	Symbol	Min	Max	Unit	Test conditions	
Simple IIC (Standard mode)	SDA input rise time	$t_{Sr}$	-	1000	ns	Figure 2.57
	SDA input fall time	$t_{Sf}$	-	300	ns	
	SDA input spike pulse removal time	$t_{SP}$	0	$4 \times t_{IICcyc}$	ns	
	Data input setup time	$t_{SDAS}$	250	-	ns	
	Data input hold time	$t_{SDAH}$	0	-	ns	
	SCL, SDA capacitive load	$C_b^{*2}$	-	400	pF	
Simple IIC (Fast mode)*3	SDA input rise time	$t_{Sr}$	-	300	ns	Figure 2.57
	SDA input fall time	$t_{Sf}$	-	300	ns	
	SDA input spike pulse removal time	$t_{SP}$	0	$4 \times t_{IICcyc}$	ns	
	Data input setup time	$t_{SDAS}$	100	-	ns	
	Data input hold time	$t_{SDAH}$	0	-	ns	
	SCL, SDA capacitive load	$C_b^{*2}$	-	400	pF	

Note 1.  $t_{IICcyc}$ : Clock cycle selected in the SMR.CKS[1:0] bits.

Note 2.  $C_b$  indicates the total capacity of the bus line.

Note 3. Middle drive output is selected in the Port Drive Capability in the PmnPFS register



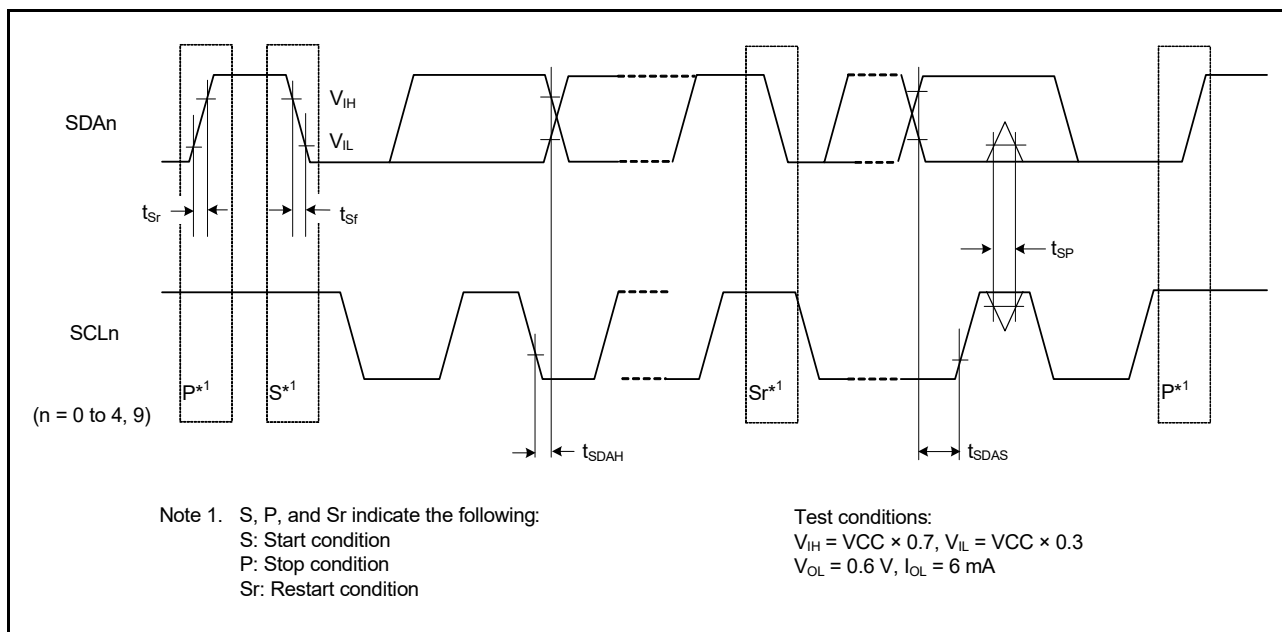


Figure 2.57 SCI simple IIC mode timing

## 2.3.10 SPI Timing

**Table 2.41 SPI timing (1 of 2)**

Conditions: Middle drive output is selected in the Port Drive Capability in the PmnPFS register

Parameter			Symbol	Min	Max	Unit*1	Test conditions	
SPI	RSPCK clock cycle	Master	$t_{SPCyc}$	2*4	4096	$t_{Pcyc}$	Figure 2.58 C = 30pF	
		Slave		6	4096			
	RSPCK clock high pulse width	Master	$t_{SPCKWH}$	$(t_{SPCyc} - t_{SPCKr} - t_{SPCKf}) / 2 - 3$	-	ns		
		Slave			$3 \times t_{Pcyc}$			-
	RSPCK clock low pulse width	Master	$t_{SPCKWL}$	$(t_{SPCyc} - t_{SPCKr} - t_{SPCKf}) / 2 - 3$	-	ns		
		Slave			$3 \times t_{Pcyc}$			-
	RSPCK clock rise and fall time	Output	2.7 V or above	$t_{SPCKr}$ , $t_{SPCKf}$	-	10		ns
			2.4 V or above		-	15		
			1.8 V or above		-	20		
			1.6 V or above		-	30		
		Input	-	1	$\mu$ s			
	Data input setup time	Master	$t_{SU}$	10	-	ns		Figure 2.59 to Figure 2.64 C = 30pF
Slave		2.4 V or above		10	-			
		1.8 V or above		15	-			
		1.6 V or above		20	-			
Data input hold time	Master (RSPCK is PCLKA/2)	$t_{HF}$	0	-	ns			
	Master (RSPCK is other than above.)	$t_H$	$t_{Pcyc}$	-				
	Slave	$t_H$	20	-				
SSL setup time	Master	$t_{LEAD}$	$-30 + N \times t_{SPcyc}^{*2}$	-	ns			
	Slave		$6 \times t_{Pcyc}$	-	ns			
SSL hold time	Master	$t_{LAG}$	$-30 + N \times t_{SPcyc}^{*3}$	-	ns			
	Slave		$6 \times t_{Pcyc}$	-	ns			

**Table 2.41 SPI timing (2 of 2)**

Conditions: Middle drive output is selected in the Port Drive Capability in the PmnPFS register

Parameter			Symbol	Min	Max	Unit*1	Test conditions	
SPI	Data output delay	Master	2.7 V or above	$t_{OD}$	-	14	ns	Figure 2.59 to Figure 2.64 C = 30pF
			2.4 V or above		-	20		
			1.8 V or above		-	25		
			1.6 V or above		-	30		
		Slave	2.7 V or above		-	50		
			2.4 V or above		-	60		
			1.8 V or above		-	85		
			1.6 V or above		-	110		
Data output hold time	Master		$t_{OH}$	0	-	ns	Figure 2.63 and Figure 2.64 C = 30pF	
	Slave			0	-			
Successive transmission delay	Master		$t_{TD}$	$t_{SPcyc} + 2 \times t_{Pcyc}$	$8 \times t_{SPcyc} + 2 \times t_{Pcyc}$	ns		
	Slave			$6 \times t_{Pcyc}$	-			
MOSI and MISO rise and fall time	Output	2.7 V or above	$t_{Dr}, t_{Df}$	-	10	ns		
		2.4 V or above		-	15			
		1.8 V or above		-	20			
		1.6 V or above		-	30			
	Input			-	1		$\mu s$	
SSL rise and fall time	Output	2.7 V or above	$t_{SSLr}, t_{SSLf}$	-	10	ns		
		2.4 V or above		-	15			
		1.8 V or above		-	20			
		1.6 V or above		-	30			
	Input			-	1		$\mu s$	
Slave access time		2.4 V or above	$t_{SA}$	-	$2 \times t_{Pcyc} + 100$	ns	Figure 2.63 and Figure 2.64 C = 30pF	
		1.8 V or above		-	$2 \times t_{Pcyc} + 140$			
		1.6 V or above		-	$2 \times t_{Pcyc} + 180$			
Slave output release time		2.4 V or above	$t_{REL}$	-	$2 \times t_{Pcyc} + 100$	ns		
		1.8 V or above		-	$2 \times t_{Pcyc} + 140$			
		1.6 V or above		-	$2 \times t_{Pcyc} + 180$			

Note 1.  $t_{Pcyc}$ : PCLKA cycle.

Note 2. N is set as an integer from 1 to 8 by the SPCKD register.

Note 3. N is set as an integer from 1 to 8 by the SSLND register.

Note 4. The upper limit of RSPCK is 16 MHz.

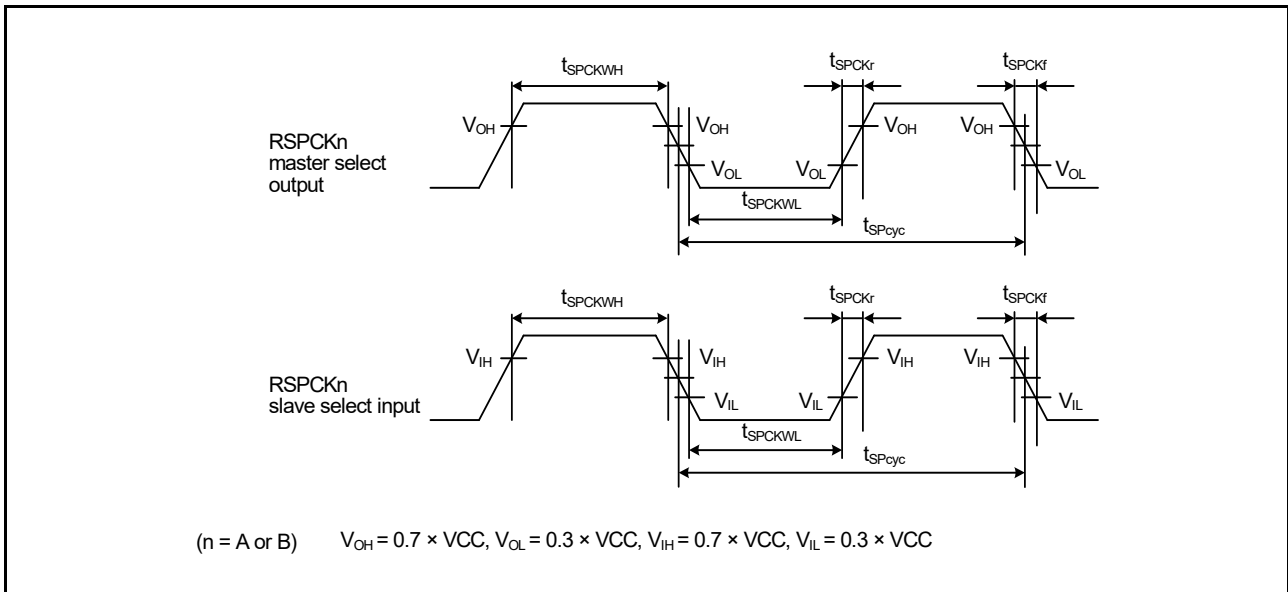


Figure 2.58 SPI clock timing

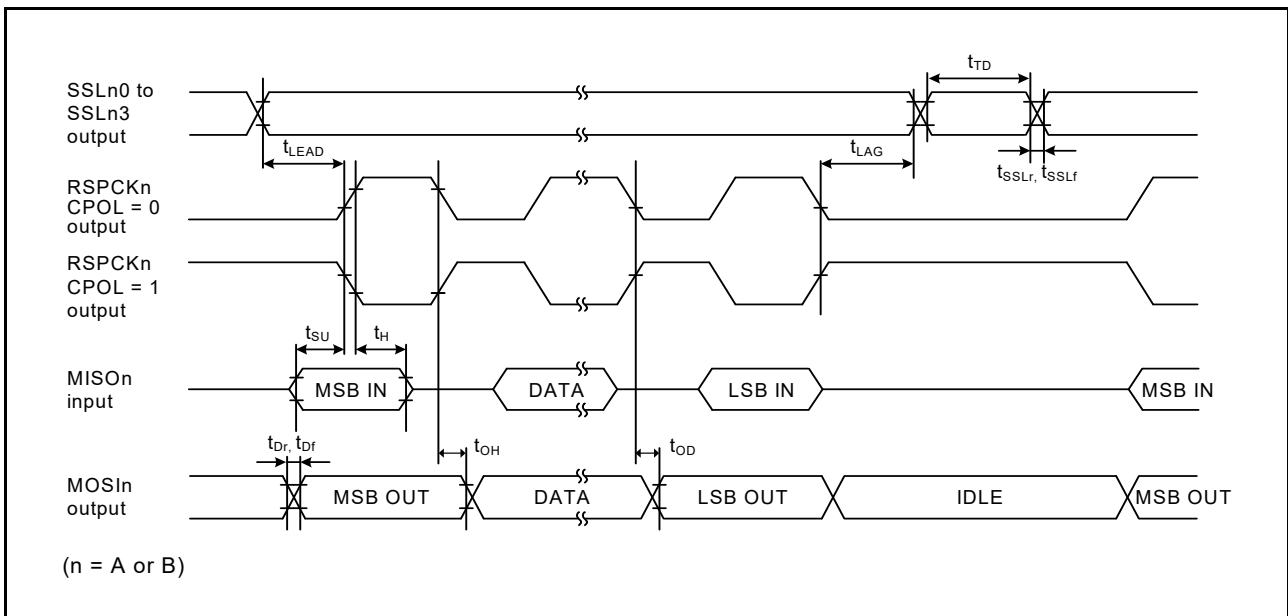


Figure 2.59 SPI timing (master, CPHA = 0) (bit rate: PCLKA division ratio is set to any value other than 1/2)

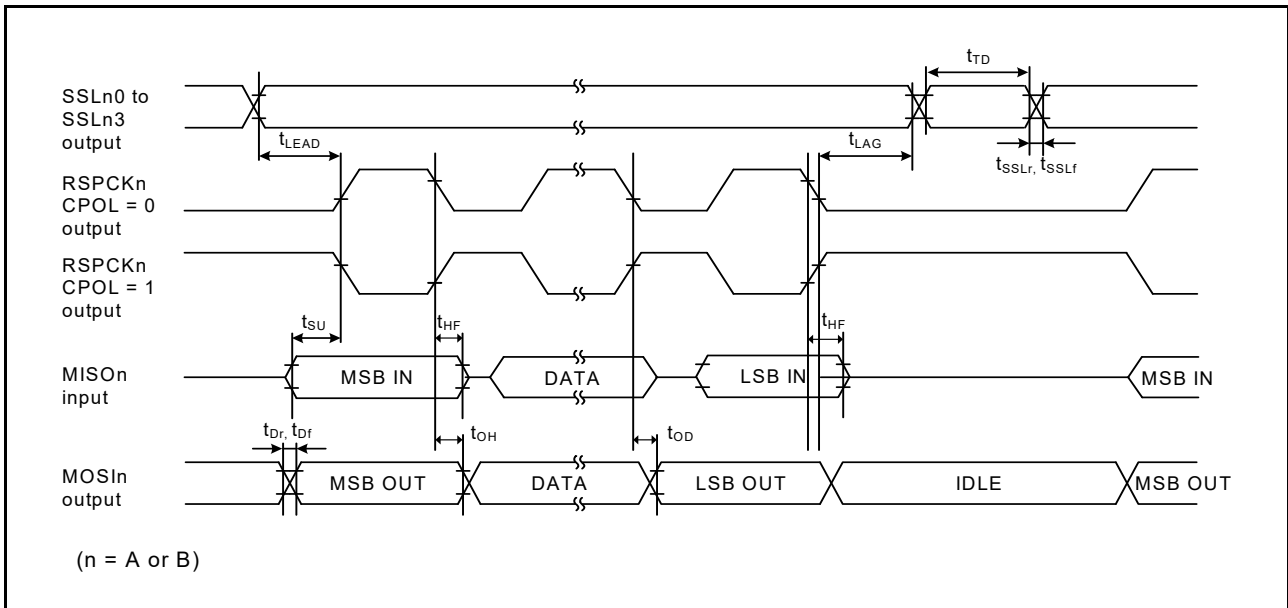


Figure 2.60 SPI timing (master, CPHA = 0) (bit rate: PCLKA division ratio is set to 1/2)

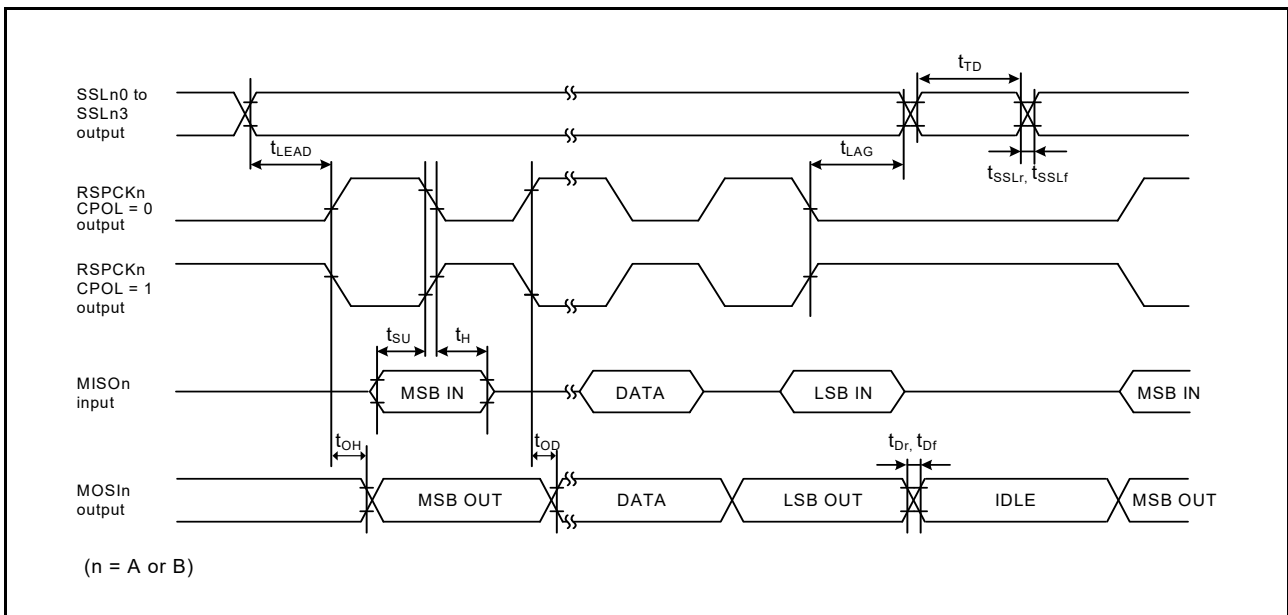


Figure 2.61 SPI timing (master, CPHA = 1) (bit rate: PCLKA division ratio is set to any value other than 1/2)

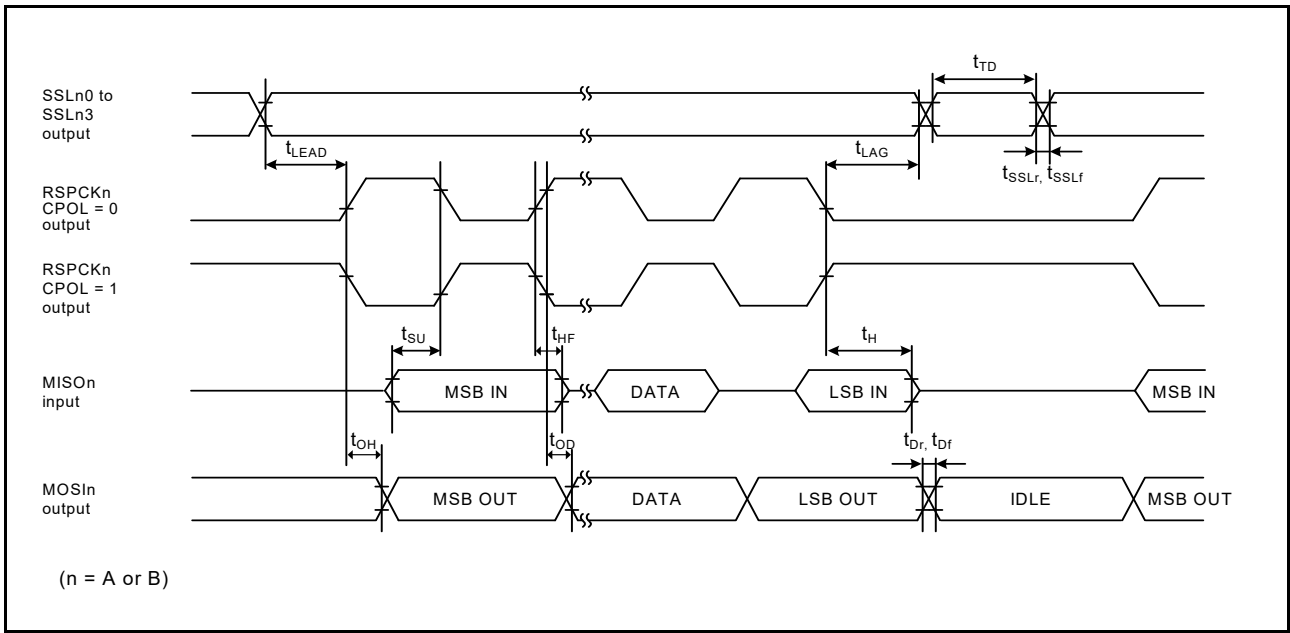


Figure 2.62 SPI timing (master, CPHA = 1) (bit rate: PCLKA division ratio is set to 1/2)

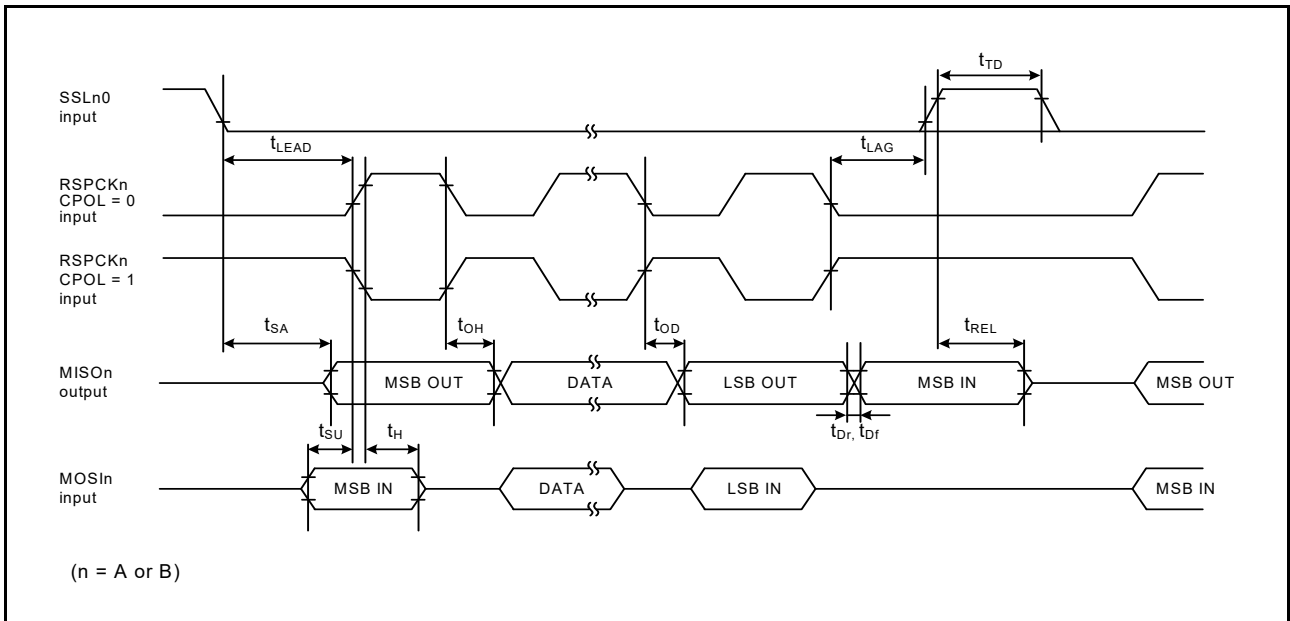


Figure 2.63 SPI timing (slave, CPHA = 0)

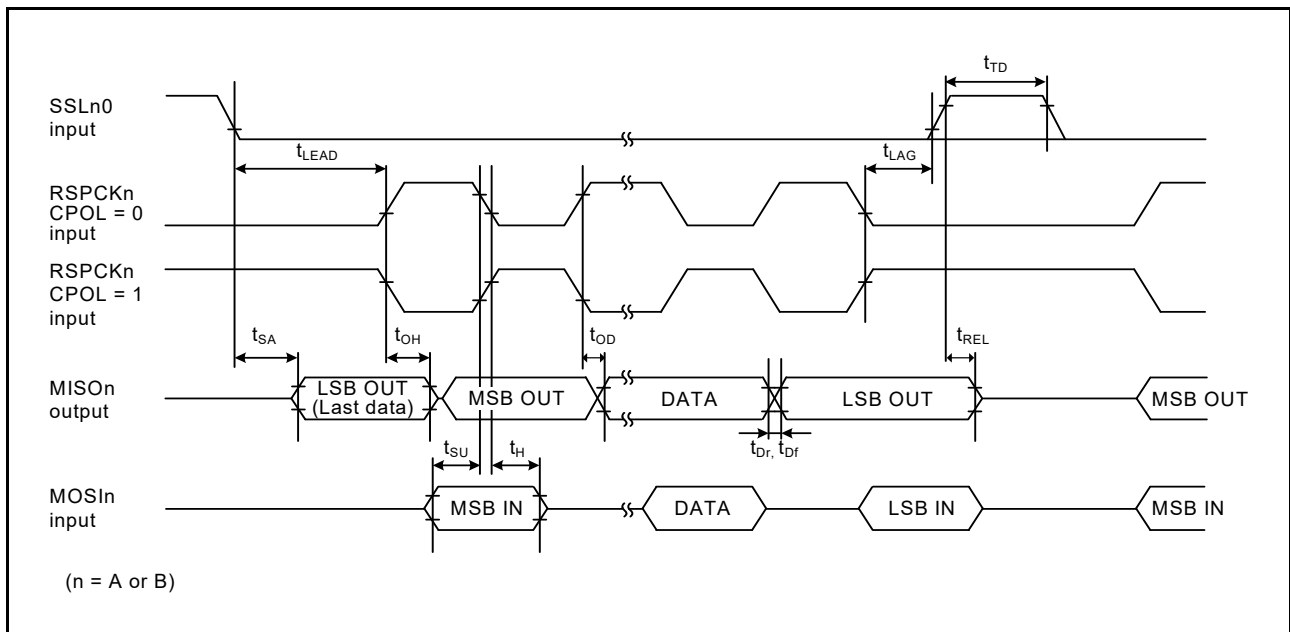


Figure 2.64 SPI timing (slave, CPHA = 1)

### 2.3.11 QSPI Timing

Table 2.42 QSPI timing

Conditions: VCC = AVCC0 = 1.8 to 5.5 V

Conditions: Middle drive output is selected in the Port Drive Capability bit in the PmnPFS register

Parameter		Symbol	Min	Max	Unit*1	Test conditions
QSPI	QSPCLK clock cycle	$t_{QScyc}$	$2^4$	48	$t_{Pcyc}$	Figure 2.65
	QSPCLK clock high-level pulse width	$t_{QSWH}$	$t_{QScyc} \times 0.4$	-	ns	
	QSPCLK clock low-level pulse width	$t_{QSWL}$	$t_{QScyc} \times 0.4$	-	ns	
Data input setup time	2.7 V or above	$t_{SU}$	40	-	ns	Figure 2.66
	2.4 V or above		40	-	ns	
	1.8 V or above		80	-	ns	
Data input hold time		$t_{IH}$	0	-	ns	
SSL setup time		$t_{LEAD}$	$(N + 0.5) \times t_{QScyc} - 15^*2$	$(N + 0.5) \times t_{QScyc} + 100^*2$	ns	
SSL hold time		$t_{LAG}$	$(N + 0.5) \times t_{QScyc} - 15^*3$	$(N + 0.5) \times t_{QScyc} + 100^*3$	ns	
Data output delay	2.7 V or above	$t_{OD}$	-	14	ns	
	2.4 V or above		-	20		
	1.8 V or above		-	30		
Data output hold time	2.7 V or above	$t_{OH}$	-3.3	-	ns	
	1.8 V or above		-10	-		
Successive transmission delay		$t_{TD}$	1	16	$t_{QScyc}$	

Note 1.  $t_{Pcyc}$ : PCLKA cycle.

Note 2. N is set to 0 or 1 in SFMSLD.

Note 3. N is set to 0 or 1 in SFMSHD.

Note 4. The upper limit of QSPCLK is 16 MHz.

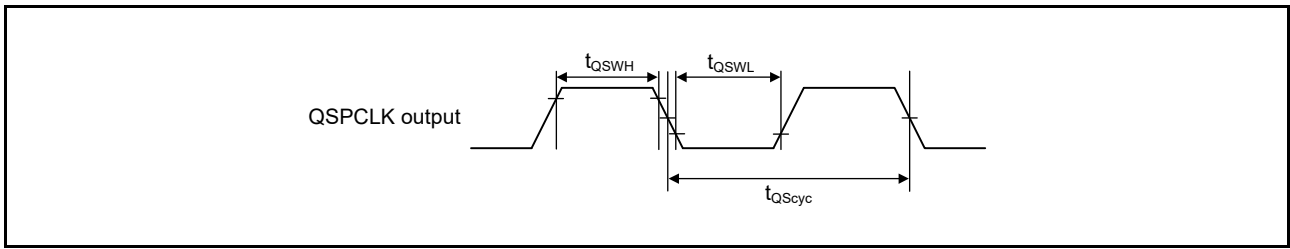


Figure 2.65 QSPI clock timing

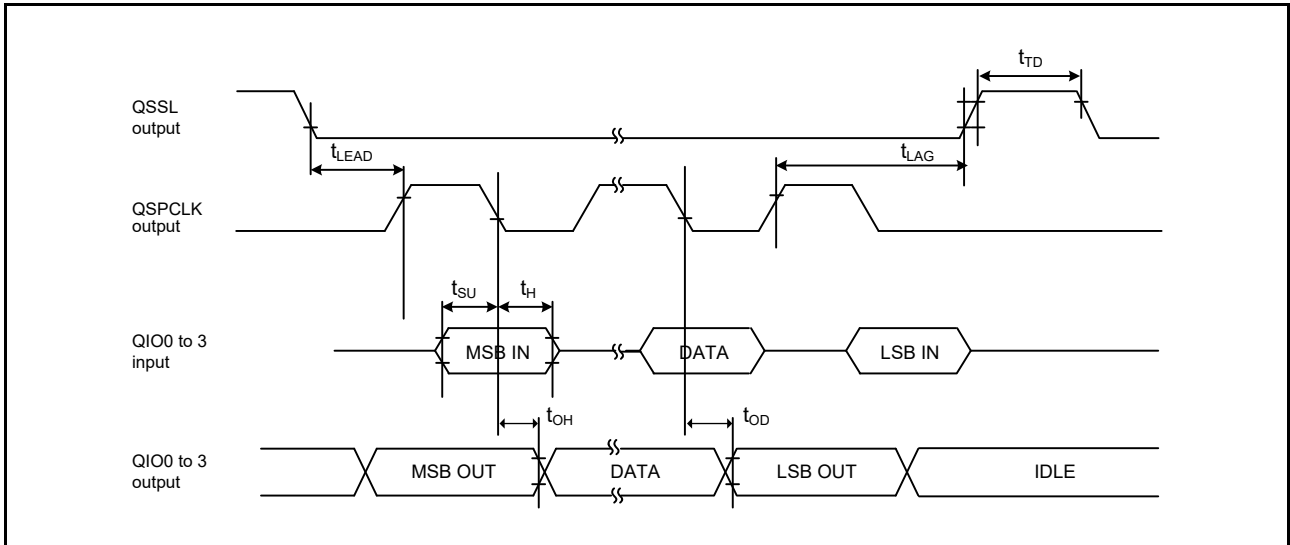


Figure 2.66 Transfer/receive timing



## 2.3.12 IIC Timing

**Table 2.43 IIC timing**

Conditions: VCC = AVCC0 = 2.7 to 5.5 V

Parameter		Symbol	Min*1	Max	Unit	Test conditions
IIC (standard mode, SMBus)	SCL input cycle time	$t_{SCL}$	$6 (12) \times t_{IICcyc} + 1300$	-	ns	Figure 2.67
	SCL input high pulse width	$t_{SCLH}$	$3 (6) \times t_{IICcyc} + 300$	-	ns	
	SCL input low pulse width	$t_{SCLL}$	$3 (6) \times t_{IICcyc} + 300$	-	ns	
	SCL, SDA input rise time	$t_{Sr}$	-	1000	ns	
	SCL, SDA input fall time	$t_{Sf}$	-	300	ns	
	SCL, SDA input spike pulse removal time	$t_{SP}$	0	$1 (4) \times t_{IICcyc}$	ns	
	SDA input bus free time (When wakeup function is disabled)	$t_{BUF}$	$3 (6) \times t_{IICcyc} + 300$	-	ns	
	SDA input bus free time (When wakeup function is enabled)	$t_{BUF}$	$3 (6) \times t_{IICcyc} + 4 \times t_{Pcyc} + 300$	-	ns	
	START condition input hold time (When wakeup function is disabled)	$t_{STAH}$	$t_{IICcyc} + 300$	-	ns	
	START condition input hold time (When wakeup function is enabled)	$t_{STAH}$	$1 (5) \times t_{IICcyc} + t_{Pcyc} + 300$	-	ns	
	Repeated START condition input setup time	$t_{STAS}$	1000	-	ns	
	STOP condition input setup time	$t_{STOS}$	1000	-	ns	
	Data input setup time	$t_{SDAS}$	$t_{IICcyc} + 50$	-	ns	
	Data input hold time	$t_{SDAH}$	0	-	ns	
	SCL, SDA capacitive load	$C_b$	-	400	pF	
IIC (Fast mode)*2	SCL input cycle time	$t_{SCL}$	$6 (12) \times t_{IICcyc} + 600$	-	ns	Figure 2.67
	SCL input high pulse width	$t_{SCLH}$	$3 (6) \times t_{IICcyc} + 300$	-	ns	
	SCL input low pulse width	$t_{SCLL}$	$3 (6) \times t_{IICcyc} + 300$	-	ns	
	SCL, SDA input rise time	$t_{Sr}$	-	300	ns	
	SCL, SDA input fall time	$t_{Sf}$	-	300	ns	
	SCL, SDA input spike pulse removal time	$t_{SP}$	0	$1 (4) \times t_{IICcyc}$	ns	
	SDA input bus free time (When wakeup function is disabled)	$t_{BUF}$	$3 (6) \times t_{IICcyc} + 300$	-	ns	
	SDA input bus free time (When wakeup function is enabled)	$t_{BUF}$	$3 (6) \times t_{IICcyc} + 4 \times t_{Pcyc} + 300$	-	ns	
	START condition input hold time (When wakeup function is disabled)	$t_{STAH}$	$t_{IICcyc} + 300$	-	ns	
	START condition input hold time (When wakeup function is enabled)	$t_{STAH}$	$1(5) \times t_{IICcyc} + t_{Pcyc} + 300$	-	ns	
	Repeated START condition input setup time	$t_{STAS}$	300	-	ns	
	STOP condition input setup time	$t_{STOS}$	300	-	ns	
	Data input setup time	$t_{SDAS}$	$t_{IICcyc} + 50$	-	ns	
	Data input hold time	$t_{SDAH}$	0	-	ns	
	SCL, SDA capacitive load	$C_b$	-	400	pF	

Note:  $t_{IICcyc}$ : IIC internal reference clock (IIC $\phi$ ) cycle,  $t_{Pcyc}$ : PCLKB cycle

Note 1. The value in parentheses apply when ICMR3.NF[1:0] is set to 11b while the digital filter is enabled with ICFER.NFE set to 1.

Note 2. Middle drive output is selected in the Port Drive Capability bit in the PmnPFS register.

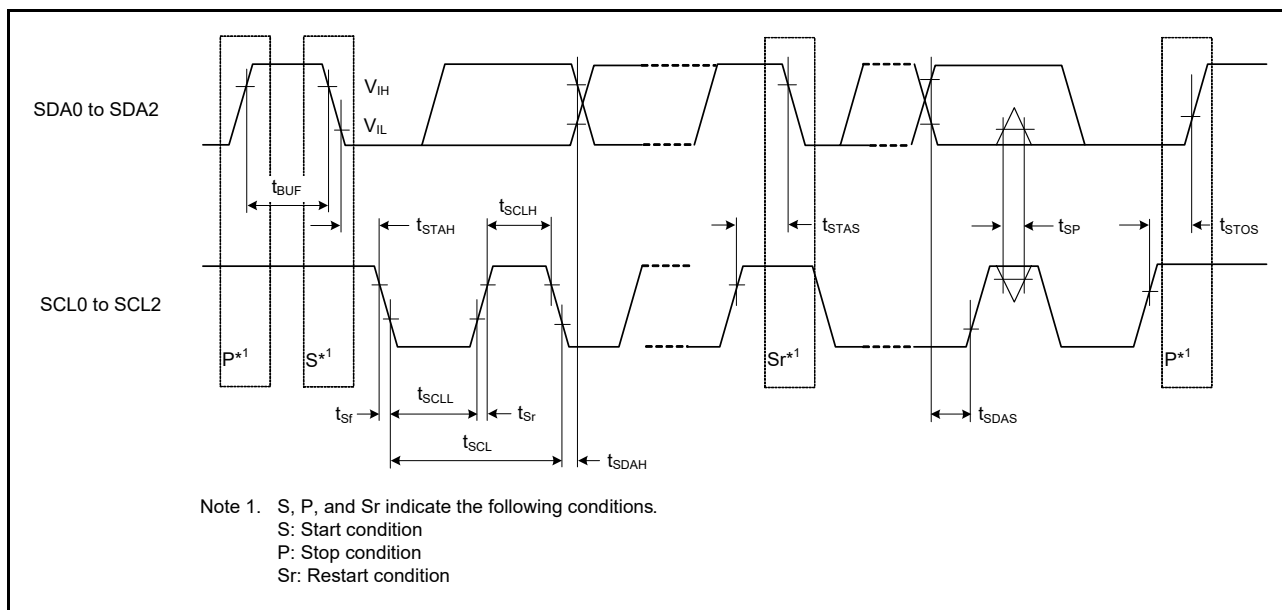


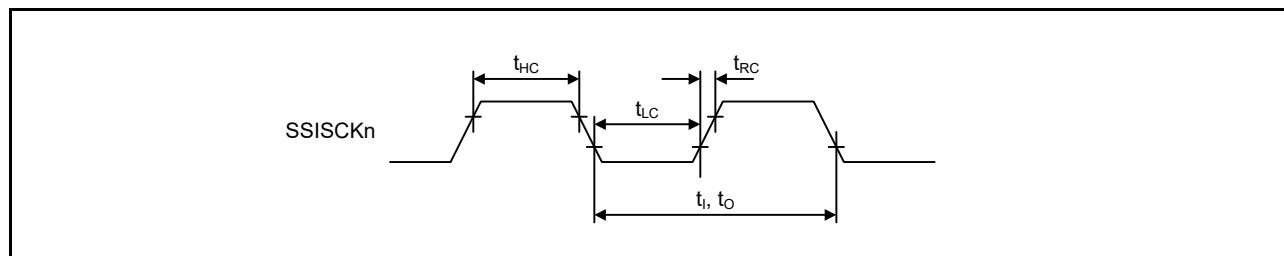
Figure 2.67 I2C bus interface input/output timing

### 2.3.13 SSI Timing

**Table 2.44 SSI timing**

Conditions: VCC = AVCC0 = 1.6 to 5.5 V

Parameter		Symbol	Min	Max	Unit	Test conditions	
SSI	AUDIO_CLK input frequency	$t_{\text{AUDIO}}$	2.7 V or above	-	25	MHz	-
			1.6 V or above	-	4		
Output clock period		$t_{\text{O}}$	250	-	ns	Figure 2.68	
Input clock period		$t_{\text{I}}$	250	-	ns		
Clock high pulse width	1.8 V or above	$t_{\text{HC}}$	100	-	ns		
	1.6 V or above		200	-			
Clock low pulse width	1.8 V or above	$t_{\text{LC}}$	100	-	ns		
	1.6 V or above		200	-			
Clock rise time		$t_{\text{RC}}$	-	25	ns		
Data delay	2.7 V or above	$t_{\text{DTR}}$	-	65	ns	Figure 2.69, Figure 2.70	
	1.8 V or above		-	105			
	1.6 V or above		-	140			
Set-up time	2.7 V or above	$t_{\text{SR}}$	65	-	ns		
	1.8 V or above		90	-			
	1.6 V or above		140	-			
Hold time		$t_{\text{HTR}}$	40	-	ns		
SSIDATA output delay from WS change time	1.8 V or above	$T_{\text{DTRW}}$	-	105	ns	Figure 2.71	
	1.6 V or above		-	140			



**Figure 2.68 SSI clock input/output timing**

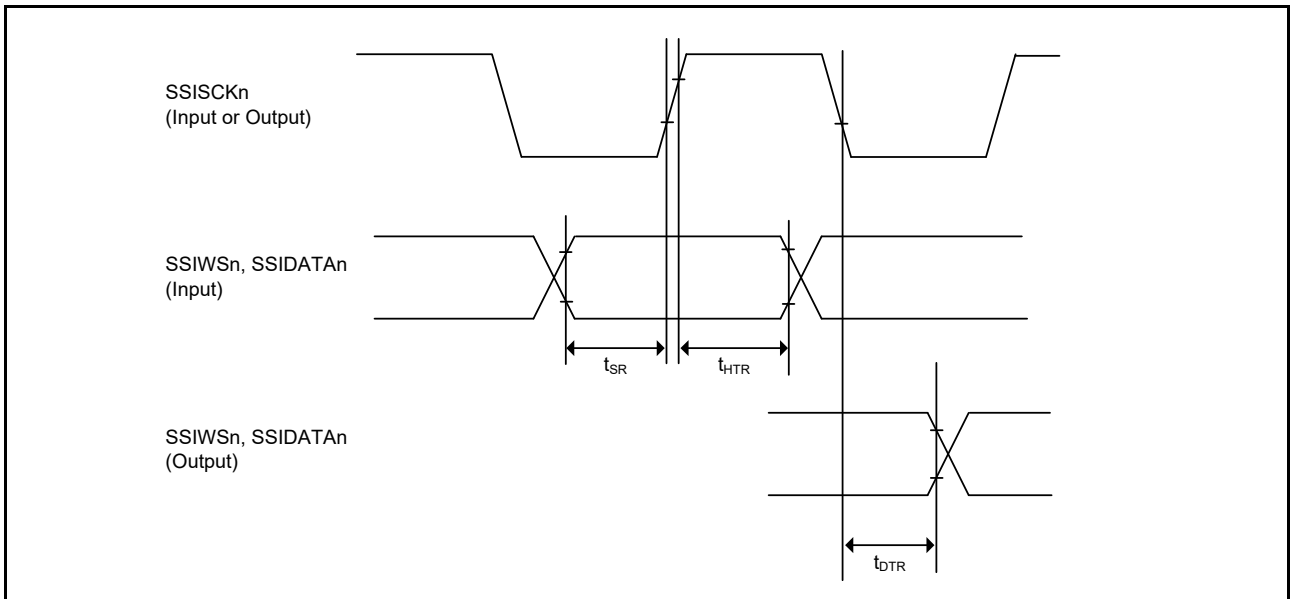


Figure 2.69 SSI data transmit/receive timing (SSICR.SCKP = 0)

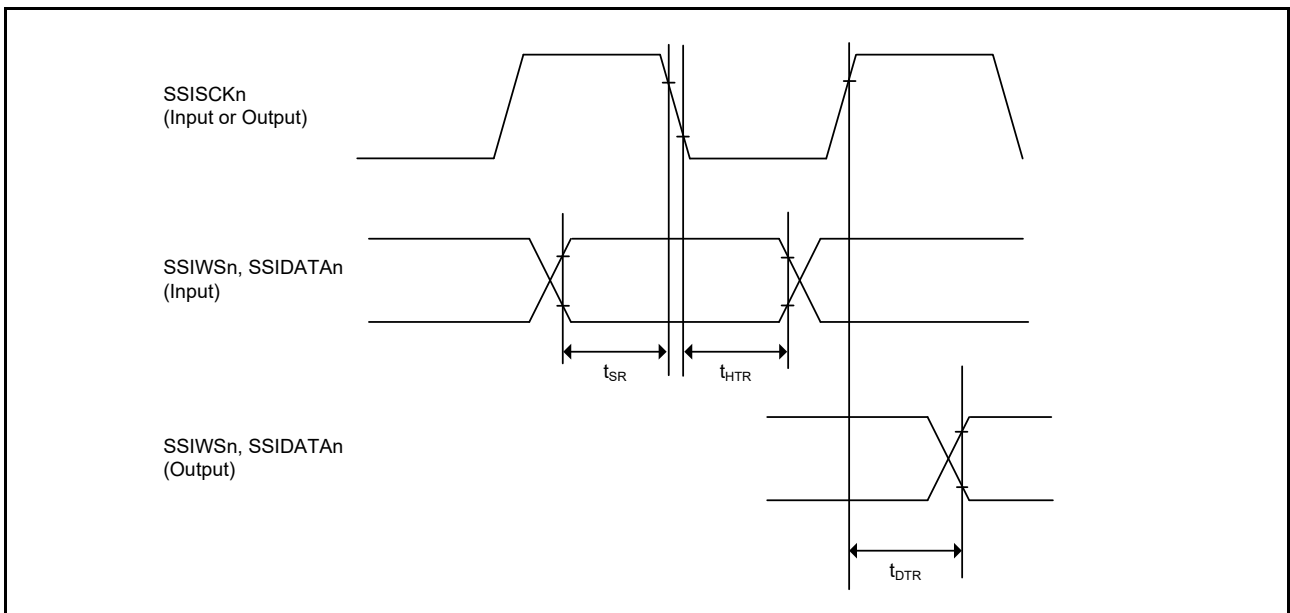


Figure 2.70 SSI data transmit/receive timing (SSICR.SCKP = 1)

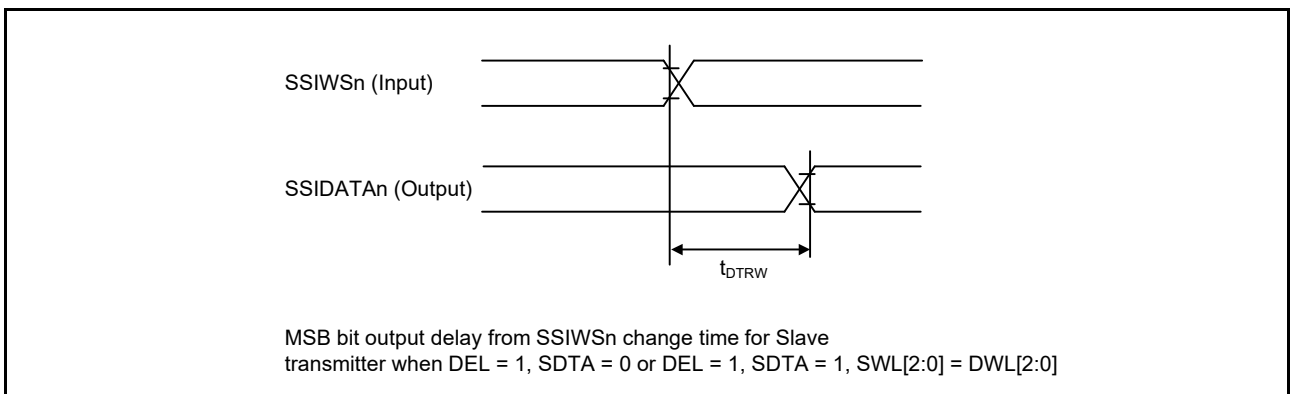


Figure 2.71 SSI data output delay from SSIWSn change time

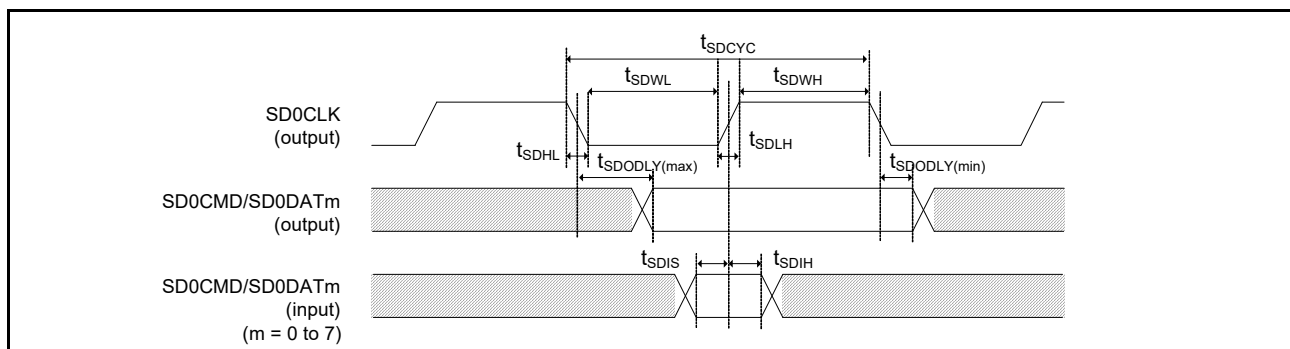
## 2.3.14 SD/MMC Host Interface Timing

**Table 2.45 SD/MMC host interface signal timing**

Conditions: VCC = AVCC0 = 2.7 to 5.5 V

Conditions: Middle drive output is selected in the Port Drive Capability in PmnPFS register

Parameter	Symbol	Min	Max	Unit	Test conditions
SDCLK clock cycle	$t_{SDCYC}$	62.5	-	ns	Figure 2.72
SDCLK clock high-level pulse width	$t_{SDWH}$	18.25	-	ns	
SDCLK clock low-level pulse width	$t_{SDWL}$	18.25	-	ns	
SDCLK clock rising time	$t_{SDLH}$	-	10	ns	
SDCLK clock falling time	$t_{SDHL}$	-	10	ns	
SDCMD/SDDAT output data delay	$t_{SDODLY}$	-18.25	18.25	ns	
SDCMD/SDDAT input data setup	$t_{SDIS}$	9.25	-	ns	
SDCMD/SDDAT input data hold	$t_{SDIH}$	23.25	-	ns	

**Figure 2.72 SD/MMC host interface signal timing**

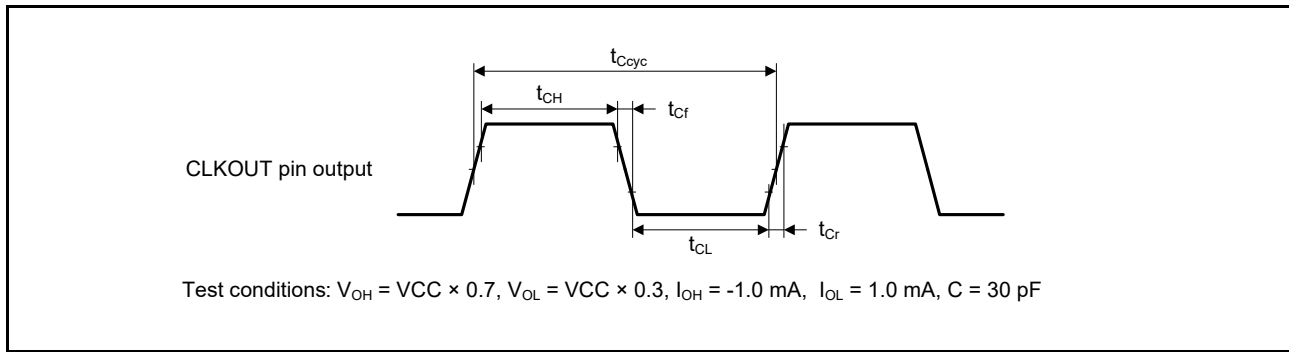
## 2.3.15 CLKOUT Timing

**Table 2.46 CLKOUT timing**

Parameter		Symbol	Min	Max	Unit*1	Test conditions	
CLKOUT	CLKOUT pin output cycle*1	VCC = 2.7 V or above	$t_{Cyc}$	62.5	-	ns	Figure 2.73
		VCC = 1.8 V or above		125	-		
		VCC = 1.6 V or above		250	-		
CLKOUT	CLKOUT pin high pulse width*2	VCC = 2.7 V or above	$t_{CH}$	15	-	ns	
		VCC = 1.8 V or above		30	-		
		VCC = 1.6 V or above		150	-		
CLKOUT	CLKOUT pin low pulse width*2	VCC = 2.7 V or above	$t_{CL}$	15	-	ns	
		VCC = 1.8 V or above		30	-		
		VCC = 1.6 V or above		150	-		
CLKOUT	CLKOUT pin output rise time	VCC = 2.7 V or above	$t_{Cr}$	-	12	ns	
		VCC = 1.8 V or above		-	25		
		VCC = 1.6 V or above		-	50		
CLKOUT	CLKOUT pin output fall time	VCC = 2.7 V or above	$t_{Cf}$	-	12	ns	
		VCC = 1.8 V or above		-	25		
		VCC = 1.6 V or above		-	50		

Note 1. When the EXTAL external clock input or an oscillator is used with division by 1 (the CKOCR.CKOSSEL[2:0] bits are 011b and the CKOCR.CKODIV[2:0] bits are 000b) to output from CLKOUT, the above should be satisfied with an input duty cycle of 45 to 55%.

Note 2. When the MOCO is selected as the clock output source (the CKOCR.CKOSSEL[2:0] bits are 001b), set the clock output division ratio selection to be divided by 2 (the CKOCR.CKODIV[2:0] bits are 001b).



**Figure 2.73** CLKOUT output timing

## 2.4 USB Characteristics

### 2.4.1 USBFS Timing

**Table 2.47** USB characteristics

Conditions:  $V_{CC} = AV_{CC0} = V_{CC\_USB} = 3.0$  to  $3.6 \text{ V}$

Parameter		Symbol	Min	Max	Unit	Test conditions	
Input characteristics	Input high level voltage	$V_{IH}$	2.0	-	V	-	
	Input low level voltage	$V_{IL}$	-	0.8	V	-	
	Differential input sensitivity	$V_{DI}$	0.2	-	V	$  \text{USB\_DP} - \text{USB\_DM}  $	
	Differential common mode range	$V_{CM}$	0.8	2.5	V	-	
Output characteristics	Output high level voltage	$V_{OH}$	2.8	$V_{CC\_USB}$	V	$I_{OH} = -200 \mu\text{A}$	
	Output low level voltage	$V_{OL}$	0.0	0.3	V	$I_{OL} = 2 \text{ mA}$	
	Cross-over voltage	$V_{CRS}$	1.3	2.0	V	Figure 2.74, Figure 2.75, Figure 2.76	
	Rise time	FS	$t_r$	4	20		ns
		LS		75	300		
	Fall time	FS	$t_f$	4	20		ns
		LS		75	300		
	Rise/fall time ratio	FS	$t_r/t_f$	90	111.11		%
LS			80	125			
Output resistance	$Z_{DRV}$	28	44	$\Omega$	(Adjusting the resistance of external elements is not necessary.)		
VBUS characteristics	VBUS input voltage	$V_{IH}$	$V_{CC} \times 0.8$	-	V	-	
		$V_{IL}$	-	$V_{CC} \times 0.2$	V	-	
Pull-up, pull-down	Pull-down resistor	$R_{PD}$	14.25	24.80	k $\Omega$	-	
	Pull-up resistor	$R_{PUI}$	0.9	1.575	k $\Omega$	During idle state	
		$R_{PUA}$	1.425	3.09	k $\Omega$	During reception	
Battery Charging Specification version 1.2	D + sink current	$I_{DP\_SINK}$	25	175	$\mu\text{A}$	-	
	D - sink current	$I_{DM\_SINK}$	25	175	$\mu\text{A}$	-	
	DCD source current	$I_{DP\_SRC}$	7	13	$\mu\text{A}$	-	
	Data detection voltage	$V_{DAT\_REF}$	0.25	0.4	V	-	
	D + source voltage	$V_{DP\_SRC}$	0.5	0.7	V	Output current = $250 \mu\text{A}$	
	D - source voltage	$V_{DM\_SRC}$	0.5	0.7	V	Output current = $250 \mu\text{A}$	

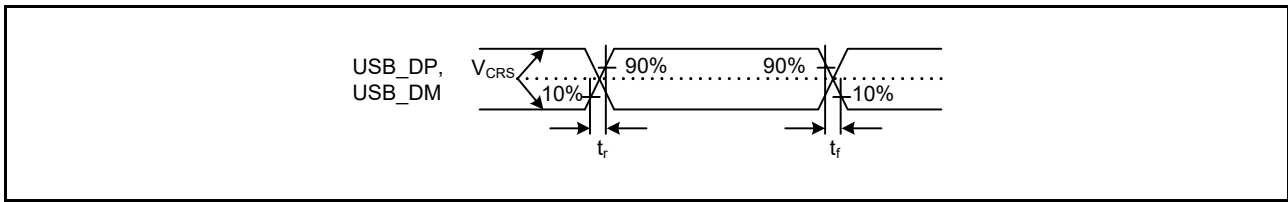


Figure 2.74 USB\_DP and USB\_DM output timing

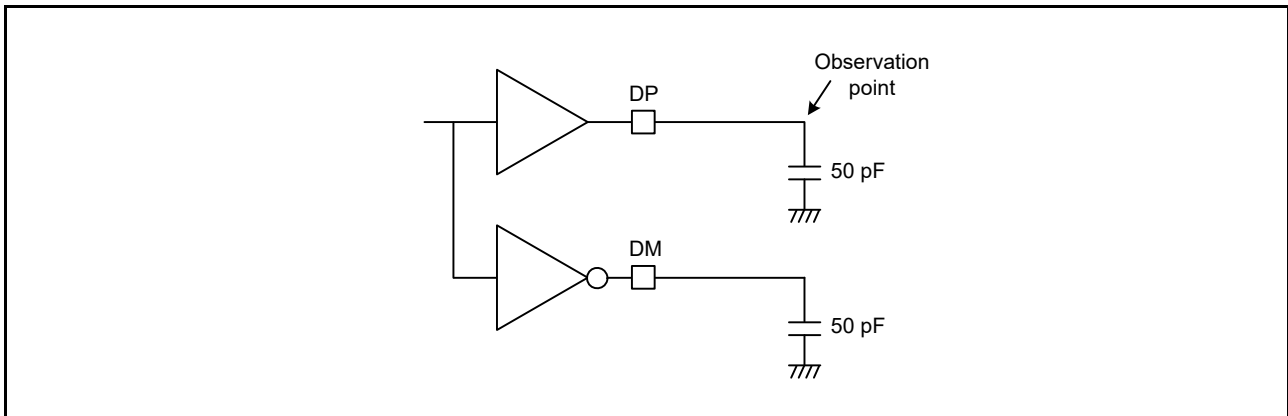


Figure 2.75 Test circuit for Full-Speed (FS) connection

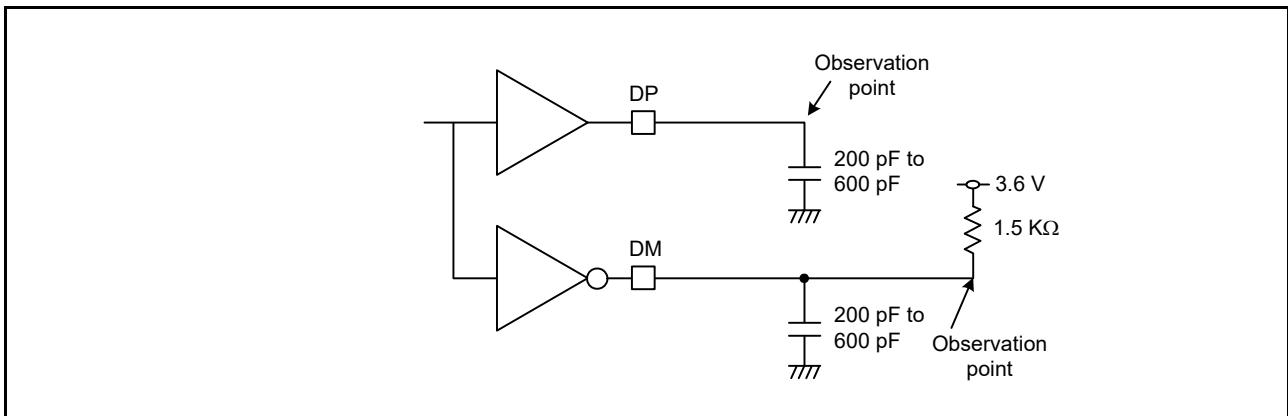


Figure 2.76 Test circuit for Low-Speed (LS) connection

### 2.4.2 USB External Supply

Table 2.48 USB regulator

Parameter	Min	Typ	Max	Unit	Test conditions	
VCC_USB supply current	VCC_USB_LDO ≥ 3.8V	-	-	50	mA	-
	VCC_USB_LDO ≥ 4.5V	-	-	100	mA	-
VCC_USB supply voltage	3.0	-	3.6	V	-	

### 2.5 ADC14 Characteristics

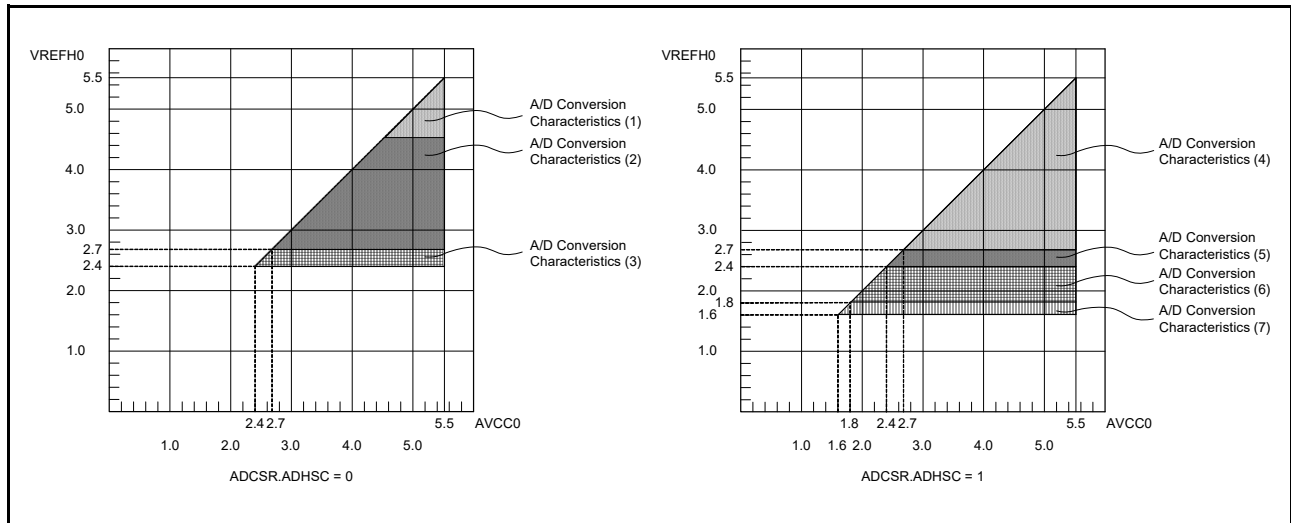


Figure 2.77 AVCC0 to VREFH0 voltage range

Table 2.49 A/D conversion characteristics (1) in High-speed A/D conversion mode (1 of 2)

Conditions: VCC = AVCC0 = 4.5 to 5.5 V, VREFH0 = 4.5 to 5.5 V, VSS = AVSS0 = VREFL0 = 0V  
Reference voltage range applied to the VREFH0 and VREFL0.

Parameter	Min	Typ	Max	Unit	Test conditions	
Frequency	1	-	64	MHz	-	
Analog input capacitance*2	Cs	-	8 (reference data)	pF	High-precision channel	
		-	9 (reference data)	pF	Normal-precision channel	
Analog input resistance	Rs	-	2.5 (reference data)	kΩ	High-precision channel	
		-	6.7 (reference data)	kΩ	Normal-precision channel	
Analog input voltage range	Ain	0	VREFH0	V	-	
12-bit mode						
Resolution	-	-	12	Bit	-	
Conversion time*1 (Operation at PCLKC = 64 MHz)	Permissible signal source impedance Max. = 0.3 kΩ	0.70	-	-	μs	High-precision channel ADCSR.ADHSC = 0 ADSSTRn.SST[7:0] = 0Dh
		1.13	-	-	μs	Normal-precision channel ADCSR.ADHSC = 0 ADSSTRn.SST[7:0] = 28h
Offset error	-	±0.5	±4.5	LSB	High-precision channel	
			±6.0	LSB	Other than above	
Full-scale error	-	±0.75	±4.5	LSB	High-precision channel	
			±6.0	LSB	Other than above	
Quantization error	-	±0.5	-	LSB	-	
Absolute accuracy	-	±1.25	±5.0	LSB	High-precision channel	
			±8.0	LSB	Other than above	
DNL differential nonlinearity error	-	±1.0	-	LSB	-	
INL integral nonlinearity error	-	±1.0	±3.0	LSB	-	
14-bit mode						
Resolution	-	-	14	Bit	-	



**Table 2.49 A/D conversion characteristics (1) in High-speed A/D conversion mode (2 of 2)**

Conditions: VCC = AVCC0 = 4.5 to 5.5 V, VREFH0 = 4.5 to 5.5 V, VSS = AVSS0 = VREFL0 = 0V  
Reference voltage range applied to the VREFH0 and VREFL0.

Parameter		Min	Typ	Max	Unit	Test conditions
Conversion time*1 (Operation at PCLKC = 64 MHz)	Permissible signal source impedance Max. = 0.3 kΩ	0.80	-	-	μs	High-precision channel ADCSR.ADHSC = 0 ADSSTRn.SST[7:0] = 0Dh
		1.22	-	-	μs	Normal-precision channel ADCSR.ADHSC = 0 ADSSTRn.SST[7:0] = 28h
Offset error		-	±2.0	±18	LSB	High-precision channel
				±24.0	LSB	Other than above
Full-scale error		-	±3.0	±18	LSB	High-precision channel
				±24.0	LSB	Other than above
Quantization error		-	±0.5	-	LSB	-
Absolute accuracy		-	±5.0	±20	LSB	High-precision channel
				±32.0	LSB	Other than above
DNL differential nonlinearity error		-	±4.0	-	LSB	-
INL integral nonlinearity error		-	±4.0	±12.0	LSB	-

Note: The characteristics apply when no pin functions other than 14-bit A/D converter input are used. Absolute accuracy does not include quantization errors. Offset error, full-scale error, DNL differential nonlinearity error, and INL integral nonlinearity error do not include quantization errors.

Note 1. The conversion time is the sum of the sampling time and the comparison time. The number of sampling states is indicated for the test conditions.

Note 2. Except for I/O input capacitance (C<sub>in</sub>), see [section 2.2.4, I/O V<sub>OH</sub>, V<sub>OL</sub>, and Other Characteristics](#).

**Table 2.50 A/D conversion characteristics (2) in High-speed A/D conversion mode (1 of 2)**

Conditions: VCC = AVCC0 = 2.7 to 5.5 V, VREFH0 = 2.7 to 5.5 V, VSS = AVSS0 = VREFL0 = 0V  
Reference voltage range applied to the VREFH0 and VREFL0.

Parameter		Min	Typ	Max	Unit	Test conditions
Frequency		1	-	48	MHz	-
Analog input capacitance*2	Cs	-	-	8 (reference data)	pF	High-precision channel
		-	-	9 (reference data)	pF	Normal-precision channel
Analog input resistance	Rs	-	-	2.5 (reference data)	kΩ	High-precision channel
		-	-	6.7 (reference data)	kΩ	Normal-precision channel
Analog input voltage range	Ain	0	-	VREFH0	V	-
12-bit mode						
Resolution		-	-	12	Bit	-
Conversion time*1 (Operation at PCLKC = 48 MHz)	Permissible signal source impedance Max. = 0.3 kΩ	0.94	-	-	μs	High-precision channel ADCSR.ADHSC = 0 ADSSTRn.SST[7:0] = 0Dh
		1.50	-	-	μs	Normal-precision channel ADCSR.ADHSC = 0 ADSSTRn.SST[7:0] = 28h
Offset error		-	±0.5	±4.5	LSB	High-precision channel
				±6.0	LSB	Other than above
Full-scale error		-	±0.75	±4.5	LSB	High-precision channel
				±6.0	LSB	Other than above
Quantization error		-	±0.5	-	LSB	-
Absolute accuracy		-	±1.25	±5.0	LSB	High-precision channel
				±8.0	LSB	Other than above
DNL differential nonlinearity error		-	±1.0	-	LSB	-

**Table 2.50 A/D conversion characteristics (2) in High-speed A/D conversion mode (2 of 2)**

Conditions: VCC = AVCC0 = 2.7 to 5.5 V, VREFH0 = 2.7 to 5.5 V, VSS = AVSS0 = VREFL0 = 0V  
Reference voltage range applied to the VREFH0 and VREFL0.

Parameter		Min	Typ	Max	Unit	Test conditions
INL integral nonlinearity error		-	±1.0	±3.0	LSB	-
14-bit mode						
Resolution		-	-	14	Bit	-
Conversion time*1 (Operation at PCLKC = 48 MHz)	Permissible signal source impedance Max. = 0.3 kΩ	1.06	-	-	μs	High-precision channel ADCSR.ADHSC = 0 ADSSTRn.SST[7:0] = 0Dh
		1.63	-	-	μs	Normal-precision channel ADCSR.ADHSC = 0 ADSSTRn.SST[7:0] = 28h
Offset error		-	±2.0	±18	LSB	High-precision channel
				±24.0	LSB	Other than above
Full-scale error		-	±3.0	±18	LSB	High-precision channel
				±24.0	LSB	Other than above
Quantization error		-	±0.5	-	LSB	-
Absolute accuracy		-	±5.0	±20	LSB	High-precision channel
				±32.0	LSB	Other than above
DNL differential nonlinearity error		-	±4.0	-	LSB	-
INL integral nonlinearity error		-	±4.0	±12.0	LSB	-

Note: The characteristics apply when no pin functions other than 14-bit A/D converter input are used. Absolute accuracy does not include quantization errors. Offset error, full-scale error, DNL differential nonlinearity error, and INL integral nonlinearity error do not include quantization errors.

Note 1. The conversion time is the sum of the sampling time and the comparison time. The number of sampling states is indicated for the test conditions.

Note 2. Except for I/O input capacitance ( $C_{in}$ ), see [section 2.2.4, I/O  \$V\_{OH}\$ ,  \$V\_{OL}\$ , and Other Characteristics](#).

**Table 2.51 A/D conversion characteristics (3) in High-speed A/D conversion mode (1 of 2)**

Conditions: VCC = AVCC0 = 2.4 to 5.5 V, VREFH0 = 2.4 to 5.5 V, VSS = AVSS0 = VREFL0 = 0V  
Reference voltage range applied to the VREFH0 and VREFL0.

Parameter		Min	Typ	Max	Unit	Test conditions
Frequency		1	-	32	MHz	-
Analog input capacitance*2	Cs	-	-	8 (reference data)	pF	High-precision channel
		-	-	9 (reference data)	pF	Normal-precision channel
Analog input resistance	Rs	-	-	2.5 (reference data)	kΩ	High-precision channel
		-	-	6.7 (reference data)	kΩ	Normal-precision channel
Analog input voltage range	Ain	0	-	VREFH0	V	-
12-bit mode						
Resolution		-	-	12	Bit	-
Conversion time*1 (Operation at PCLKC = 32 MHz)	Permissible signal source impedance Max. = 1.3 kΩ	1.41	-	-	μs	High-precision channel ADCSR.ADHSC = 0 ADSSTRn.SST[7:0] = 0Dh
		2.25	-	-	μs	Normal-precision channel ADCSR.ADHSC = 0 ADSSTRn.SST[7:0] = 28h
Offset error		-	±0.5	±4.5	LSB	High-precision channel
				±6.0	LSB	Other than above
Full-scale error		-	±0.75	±4.5	LSB	High-precision channel
				±6.0	LSB	Other than above
Quantization error		-	±0.5	-	LSB	-
Absolute accuracy		-	±1.25	±5.0	LSB	High-precision channel
				±8.0	LSB	Other than above

**Table 2.51 A/D conversion characteristics (3) in High-speed A/D conversion mode (2 of 2)**

Conditions: VCC = AVCC0 = 2.4 to 5.5 V, VREFH0 = 2.4 to 5.5 V, VSS = AVSS0 = VREFL0 = 0V  
Reference voltage range applied to the VREFH0 and VREFL0.

Parameter	Min	Typ	Max	Unit	Test conditions	
DNL differential nonlinearity error	-	±1.0	-	LSB	-	
INL integral nonlinearity error	-	±1.0	±3.0	LSB	-	
14-bit mode						
Resolution	-	-	14	Bit	-	
Conversion time*1 (Operation at PCLKC = 32 MHz)	Permissible signal source impedance Max. = 1.3 kΩ	1.59	-	-	μs	High-precision channel ADCSR.ADHSC = 0 ADSSTRn.SST[7:0] = 0Dh
		2.44	-	-	μs	Normal-precision channel ADCSR.ADHSC = 0 ADSSTRn.SST[7:0] = 28h
Offset error	-	±2.0	±18	LSB	High-precision channel	
			±24.0	LSB	Other than above	
Full-scale error	-	±3.0	±18	LSB	High-precision channel	
			±24.0	LSB	Other than above	
Quantization error	-	±0.5	-	LSB	-	
Absolute accuracy	-	±5.0	±20	LSB	High-precision channel	
			±32.0	LSB	Other than above	
DNL differential nonlinearity error	-	±4.0	-	LSB	-	
INL integral nonlinearity error	-	±4.0	±12.0	LSB	-	

Note: The characteristics apply when no pin functions other than 14-bit A/D converter input are used. Absolute accuracy does not include quantization errors. Offset error, full-scale error, DNL differential nonlinearity error, and INL integral nonlinearity error do not include quantization errors.

Note 1. The conversion time is the sum of the sampling time and the comparison time. The number of sampling states is indicated for the test conditions.

Note 2. Except for I/O input capacitance (C<sub>in</sub>), see [section 2.2.4, I/O V<sub>OH</sub>, V<sub>OL</sub>, and Other Characteristics](#).

**Table 2.52 A/D conversion characteristics (4) in Low-power A/D conversion mode (1 of 2)**

Conditions: VCC = AVCC0 = 2.7 to 5.5 V, VREFH0 = 2.7 to 5.5 V, VSS = AVSS0 = VREFL0 = 0V  
Reference voltage range applied to the VREFH0 and VREFL0.

Parameter	Min	Typ	Max	Unit	Test conditions	
Frequency	1	-	24	MHz	-	
Analog input capacitance*2	Cs	-	-	8 (reference data)	pF	High-precision channel
		-	-	9 (reference data)	pF	Normal-precision channel
Analog input resistance	Rs	-	-	2.5 (reference data)	kΩ	High-precision channel
		-	-	6.7 (reference data)	kΩ	Normal-precision channel
Analog input voltage range	Ain	0	-	VREFH0	V	-
12-bit mode						
Resolution	-	-	12	Bit	-	
Conversion time*1 (Operation at PCLKC = 24 MHz)	Permissible signal source impedance Max. = 1.1 kΩ	2.25	-	-	μs	High-precision channel ADCSR.ADHSC = 1 ADSSTRn.SST[7:0] = 0Dh
		3.38	-	-	μs	Normal-precision channel ADCSR.ADHSC = 1 ADSSTRn.SST[7:0] = 28h
Offset error	-	±0.5	±4.5	LSB	High-precision channel	
			±6.0	LSB	Other than above	
Full-scale error	-	±0.75	±4.5	LSB	High-precision channel	
			±6.0	LSB	Other than above	
Quantization error	-	±0.5	-	LSB	-	

**Table 2.52 A/D conversion characteristics (4) in Low-power A/D conversion mode (2 of 2)**

Conditions: VCC = AVCC0 = 2.7 to 5.5 V, VREFH0 = 2.7 to 5.5 V, VSS = AVSS0 = VREFL0 = 0V  
Reference voltage range applied to the VREFH0 and VREFL0.

Parameter		Min	Typ	Max	Unit	Test conditions
Absolute accuracy			±1.25	±5.0	LSB	High-precision channel
				±8.0	LSB	Other than above
DNL differential nonlinearity error		-	±1.0	-	LSB	-
INL integral nonlinearity error		-	±1.0	±3.0	LSB	-
14-bit mode						
Resolution		-	-	14	Bit	-
Conversion time*1 (Operation at PCLKC = 24 MHz)	Permissible signal source impedance Max. = 1.1 kΩ	2.50	-	-	μs	High-precision channel ADCSR.ADHSC = 1 ADSSTRn.SST[7:0] = 0Dh
					μs	Normal-precision channel ADCSR.ADHSC = 1 ADSSTRn.SST[7:0] = 28h
Offset error			±2.0	±18	LSB	High-precision channel
				±24.0	LSB	Other than above
Full-scale error			±3.0	±18	LSB	High-precision channel
				±24.0	LSB	Other than above
Quantization error		-	±0.5	-	LSB	-
Absolute accuracy			±5.0	±20	LSB	High-precision channel
				±32.0	LSB	Other than above
DNL differential nonlinearity error		-	±4.0	-	LSB	-
INL integral nonlinearity error		-	±4.0	±12.0	LSB	-

Note: The characteristics apply when no pin functions other than 14-bit A/D converter input are used. Absolute accuracy does not include quantization errors. Offset error, full-scale error, DNL differential nonlinearity error, and INL integral nonlinearity error do not include quantization errors.

Note 1. The conversion time is the sum of the sampling time and the comparison time. The number of sampling states is indicated for the test conditions.

Note 2. Except for I/O input capacitance (C<sub>in</sub>), see [section 2.2.4, I/O V<sub>OH</sub>, V<sub>OL</sub>, and Other Characteristics](#).

**Table 2.53 A/D conversion characteristics (5) in Low-power A/D conversion mode (1 of 2)**

Conditions: VCC = AVCC0 = 2.4 to 5.5 V, VREFH0 = 2.4 to 5.5 V, VSS = AVSS0 = VREFL0 = 0V  
Reference voltage range applied to the VREFH0 and VREFL0.

Parameter		Min	Typ	Max	Unit	Test conditions
Frequency		1	-	16	MHz	-
Analog input capacitance*2	Cs			8 (reference)	pF	High-precision channel
				9 (reference)	pF	Normal-precision channel
Analog input resistance	Rs			2.5 (reference)	kΩ	High-precision channel
				6.7 (reference)	kΩ	Normal-precision channel
Analog input voltage range	Ain	0	-	VREFH0	V	-
12-bit mode						
Resolution		-	-	12	Bit	-
Conversion time*1 (Operation at PCLKC = 16 MHz)	Permissible signal source impedance Max. = 2.2 kΩ	3.38	-	-	μs	High-precision channel ADCSR.ADHSC = 1 ADSSTRn.SST[7:0] = 0Dh
					μs	Normal-precision channel ADCSR.ADHSC = 1 ADSSTRn.SST[7:0] = 28h
Offset error			±0.5	±4.5	LSB	High-precision channel
				±6.0	LSB	Other than above
Full-scale error			±0.75	±4.5	LSB	High-precision channel
				±6.0	LSB	Other than above

**Table 2.53 A/D conversion characteristics (5) in Low-power A/D conversion mode (2 of 2)**

Conditions: VCC = AVCC0 = 2.4 to 5.5 V, VREFH0 = 2.4 to 5.5 V, VSS = AVSS0 = VREFL0 = 0V  
Reference voltage range applied to the VREFH0 and VREFL0.

Parameter		Min	Typ	Max	Unit	Test conditions
Quantization error		-	±0.5	-	LSB	-
Absolute accuracy		-	±1.25	±5.0	LSB	High-precision channel
				±8.0	LSB	Other than above
DNL differential nonlinearity error		-	±1.0	-	LSB	-
INL integral nonlinearity error		-	±1.0	±3.0	LSB	-
14-bit mode						
Resolution		-	-	14	Bit	-
Conversion time*1 (Operation at PCLKC = 16 MHz)	Permissible signal source impedance Max. = 2.2 kΩ	3.75	-	-	μs	High-precision channel ADCSR.ADHSC = 1 ADSSTRn.SST[7:0] = 0Dh
				5.44	-	μs
Offset error		-	±2.0	±18	LSB	High-precision channel
				±24.0	LSB	Other than above
Full-scale error		-	±3.0	±18	LSB	High-precision channel
				±24.0	LSB	Other than above
Quantization error		-	±0.5	-	LSB	-
Absolute accuracy		-	±5.0	±20	LSB	High-precision channel
				±32.0	LSB	Other than above
DNL differential nonlinearity error		-	±4.0	-	LSB	-
INL integral nonlinearity error		-	±4.0	±12.0	LSB	-

Note: The characteristics apply when no pin functions other than 14-bit A/D converter input are used. Absolute accuracy does not include quantization errors. Offset error, full-scale error, DNL differential nonlinearity error, and INL integral nonlinearity error do not include quantization errors.

Note 1. The conversion time is the sum of the sampling time and the comparison time. The number of sampling states is indicated for the test conditions.

Note 2. Except for I/O input capacitance (C<sub>in</sub>), see [section 2.2.4, I/O V<sub>OH</sub>, V<sub>OL</sub>, and Other Characteristics](#).

**Table 2.54 A/D conversion characteristics (6) in Low-power A/D conversion mode (1 of 2)**

Conditions: VCC = AVCC0 = 1.8 to 5.5 V (AVCC0 = VCC when VCC < 2.0 V), VREFH0 = 1.8 to 5.5 V, VSS = AVSS0 = VREFL0 = 0 V  
Reference voltage range applied to the VREFH0 and VREFL0.

Parameter		Min	Typ	Max	Unit	Test conditions
Frequency		1	-	8	MHz	-
Analog input capacitance*2	Cs	-	-	8 (reference data)	pF	High-precision channel
				9 (reference data)	pF	Normal-precision channel
Analog input resistance	Rs	-	-	3.8 (reference data)	kΩ	High-precision channel
				8.2 (reference data)	kΩ	Normal-precision channel
Analog input voltage range	Ain	0	-	VREFH0	V	-
12-bit mode						
Resolution		-	-	12	Bit	-
Conversion time*1 (Operation at PCLKC = 8 MHz)	Permissible signal source impedance Max. = 5 kΩ	6.75	-	-	μs	High-precision channel ADCSR.ADHSC = 1 ADSSTRn.SST[7:0] = 0Dh
				10.13	-	μs
Offset error		-	±1.0	±7.5	LSB	High-precision channel
				±10.0	LSB	Other than above

**Table 2.54 A/D conversion characteristics (6) in Low-power A/D conversion mode (2 of 2)**

Conditions: VCC = AVCC0 = 1.8 to 5.5 V (AVCC0 = VCC when VCC < 2.0 V), VREFH0 = 1.8 to 5.5 V, VSS = AVSS0 = VREFL0 = 0 V  
Reference voltage range applied to the VREFH0 and VREFL0.

Parameter		Min	Typ	Max	Unit	Test conditions
Full-scale error		-	±1.5	±7.5	LSB	High-precision channel
				±10.0	LSB	Other than above
Quantization error		-	±0.5	-	LSB	-
Absolute accuracy		-	±3.0	±8.0	LSB	High-precision channel
				±12.0	LSB	Other than above
DNL differential nonlinearity error		-	±1.0	-	LSB	-
INL integral nonlinearity error		-	±1.0	±3.0	LSB	-
14-bit mode						
Resolution		-	-	14	Bit	-
Conversion time*1 (Operation at PCLKC = 8 MHz)	Permissible signal source impedance Max. = 5 kΩ	7.50	-	-	μs	High-precision channel ADCSR.ADHSC = 1 ADSSTRn.SST[7:0] = 0Dh
					μs	Normal-precision channel ADCSR.ADHSC = 1 ADSSTRn.SST[7:0] = 28h
Offset error		-	±4.0	±30.0	LSB	High-precision channel
				±40.0	LSB	Other than above
Full-scale error		-	±6.0	±30.0	LSB	High-precision channel
				±40.0	LSB	Other than above
Quantization error		-	±0.5	-	LSB	-
Absolute accuracy		-	±12.0	±32.0	LSB	High-precision channel
				±48.0	LSB	Other than above
DNL differential nonlinearity error		-	±4.0	-	LSB	-
INL integral nonlinearity error		-	±4.0	±12.0	LSB	-

Note: The characteristics apply when no pin functions other than 14-bit A/D converter input are used. Absolute accuracy does not include quantization errors. Offset error, full-scale error, DNL differential nonlinearity error, and INL integral nonlinearity error do not include quantization errors.

Note 1. The conversion time is the sum of the sampling time and the comparison time. The number of sampling states is indicated for the test conditions.

Note 2. Except for I/O input capacitance (C<sub>in</sub>), see [section 2.2.4, I/O V<sub>OH</sub>, V<sub>OL</sub>, and Other Characteristics](#).

**Table 2.55 A/D conversion characteristics (7) in Low-power A/D conversion mode (1 of 2)**

Conditions: VCC = AVCC0 = 1.6 to 5.5 V (AVCC0 = VCC when VCC < 2.0 V), VREFH0 = 1.6 to 5.5 V, VSS = AVSS0 = VREFL0 = 0  
Reference voltage range applied to the VREFH0 and VREFL0.

Parameter		Min	Typ	Max	Unit	Test conditions
Frequency		1	-	4	MHz	-
Analog input capacitance*2	Cs	-	-	8 (reference data)	pF	High-precision channel
				9 (reference data)	pF	Normal-precision channel
Analog input resistance	Rs	-	-	13.1 (reference data)	kΩ	High-precision channel
				14.3 (reference data)	kΩ	Normal-precision channel
Analog input voltage range	Ain	0	-	VREFH0	V	-
12-bit mode						
Resolution		-	-	12	Bit	-
Conversion time*1 (Operation at PCLKC = 4 MHz)	Permissible signal source impedance Max. = 9.9 kΩ	13.5	-	-	μs	High-precision channel ADCSR.ADHSC = 1 ADSSTRn.SST[7:0] = 0Dh
					μs	Normal-precision channel ADCSR.ADHSC = 1 ADSSTRn.SST[7:0] = 28h

**Table 2.55 A/D conversion characteristics (7) in Low-power A/D conversion mode (2 of 2)**

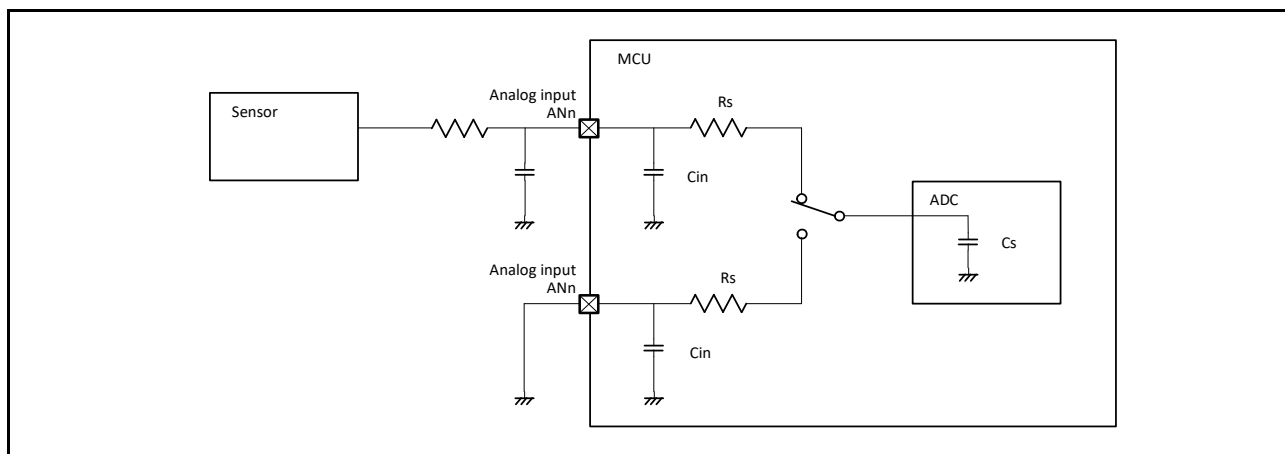
Conditions: VCC = AVCC0 = 1.6 to 5.5 V (AVCC0 = VCC when VCC < 2.0 V), VREFH0 = 1.6 to 5.5 V, VSS = AVSS0 = VREFL0 = 0  
Reference voltage range applied to the VREFH0 and VREFL0.

Parameter	Min	Typ	Max	Unit	Test conditions	
Offset error	-	±1.0	±7.5	LSB	High-precision channel	
			±10.0	LSB	Other than above	
Full-scale error	-	±1.5	±7.5	LSB	High-precision channel	
			±10.0	LSB	Other than above	
Quantization error	-	±0.5	-	LSB	-	
Absolute accuracy	-	±3.0	±8.0	LSB	High-precision channel	
			±12.0	LSB	Other than above	
DNL differential nonlinearity error	-	±1.0	-	LSB	-	
INL integral nonlinearity error	-	±1.0	±3.0	LSB	-	
14-bit mode						
Resolution	-	-	14	Bit	-	
Conversion time*1 (Operation at PCLKC = 4 MHz)	Permissible signal source impedance Max. = 9.9 kΩ	15.0	-	-	μs	High-precision channel ADCSR.ADHSC = 1 ADSSTRn.SST[7:0] = 0Dh
		21.75	-	-	μs	Normal-precision channel ADCSR.ADHSC = 1 ADSSTRn.SST[7:0] = 28h
Offset error	-	±4.0	±30.0	LSB	High-precision channel	
			±40.0	LSB	Other than above	
Full-scale error	-	±6.0	±30.0	LSB	High-precision channel	
			±40.0	LSB	Other than above	
Quantization error	-	±0.5	-	LSB	-	
Absolute accuracy	-	±12.0	±32.0	LSB	High-precision channel	
			±48.0	LSB	Other than above	
DNL differential nonlinearity error	-	±4.0	-	LSB	-	
INL integral nonlinearity error	-	±4.0	±12.0	LSB	-	

Note: The characteristics apply when no pin functions other than 14-bit A/D converter input are used. Absolute accuracy does not include quantization errors. Offset error, full-scale error, DNL differential nonlinearity error, and INL integral nonlinearity error do not include quantization errors.

Note 1. The conversion time is the sum of the sampling time and the comparison time. The number of sampling states is indicated for the test conditions.

Note 2. Except for I/O input capacitance (C<sub>in</sub>), see section 2.2.4, I/O V<sub>OH</sub>, V<sub>OL</sub>, and Other Characteristics.



**Figure 2.78 Equivalent circuit for analog input**

**Table 2.56 14-Bit A/D converter channel classification**

Classification	Channel	Conditions	Remarks
High-precision channel	AN000 to AN015	AVCC0 = 1.6 to 5.5 V	Pins AN000 to AN015 cannot be used as general I/O, IRQ8, IRQ9 inputs, and TS transmission, when the A/D converter is in use
Normal-precision channel	AN016 to AN027		
Internal reference voltage input channel	Internal reference voltage	AVCC0 = 2.0 to 5.5 V	-
Temperature sensor input channel	Temperature sensor output	AVCC0 = 2.0 to 5.5 V	-

**Table 2.57 A/D internal reference voltage characteristics**

Conditions: VCC = AVCC0 = VREFH0 = 2.0 to 5.5 V\*1

Parameter	Min	Typ	Max	Unit	Test conditions
Internal reference voltage input channel*2	1.36	1.43	1.50	V	-
Frequency*3	1	-	2	MHz	-
Sampling time*4	5.0	-	-	μs	-

Note 1. The internal reference voltage cannot be selected for input channels when AVCC0 &lt; 2.0 V.

Note 2. The 14-bit A/D internal reference voltage indicates the voltage when the internal reference voltage is input to the 14-bit A/D converter.

Note 3. This is a parameter for ADC14 when the internal reference voltage is used as the high-potential reference voltage.

Note 4. This is a parameter for ADC14 when the internal reference voltage is selected for an analog input channel in ADC14.



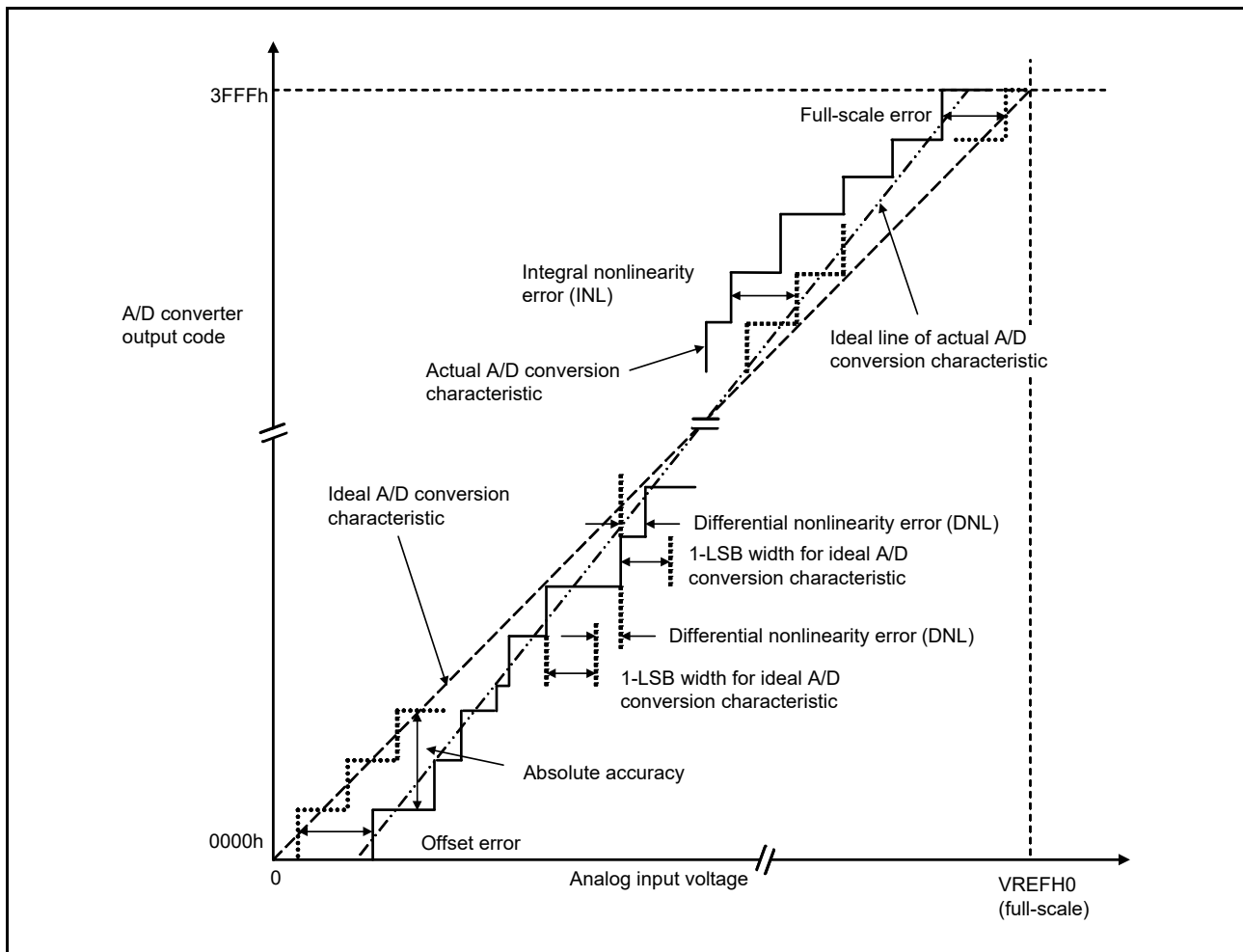


Figure 2.79 Illustration of 14-bit A/D converter characteristic terms

### Absolute accuracy

Absolute accuracy is the difference between output code based on the theoretical A/D conversion characteristics, and the actual A/D conversion result. When measuring absolute accuracy, the voltage at the midpoint of the width of analog input voltage (1-LSB width), which can meet the expectation of outputting an equal code based on the theoretical A/D conversion characteristics, is used as the analog input voltage. For example, if 12-bit resolution is used and the reference voltage  $V_{REFH0} = 3.072$  V, then 1-LSB width becomes 0.75 mV, and 0 mV, 0.75 mV, 1.5 mV are used as the analog input voltages. If analog input voltage is 6 mV, an absolute accuracy of  $\pm 5$  LSB means that the actual A/D conversion result is in the range of 003h to 00Dh, though an output code of 008h can be expected from the theoretical A/D conversion characteristics.

### Integral nonlinearity error (INL)

Integral nonlinearity error is the maximum deviation between the ideal line when the measured offset and full-scale errors are zeroed, and the actual output code.

### Differential nonlinearity error (DNL)

Differential nonlinearity error is the difference between 1-LSB width based on the ideal A/D conversion characteristics and the width of the actually output code.

### Offset error

Offset error is the difference between the transition point of the ideal first output code and the actual first output code.

### Full-scale error

Full-scale error is the difference between the transition point of the ideal last output code and the actual last output code.

## 2.6 DAC12 Characteristics

**Table 2.58 D/A conversion characteristics (1)**

Conditions: VCC = AVCC0 = 1.8 to 5.5 V

Reference voltage = VREFH or VREFL selected

Parameter	Min	Typ	Max	Unit	Test conditions
Resolution	-	-	12	bit	-
Resistive load	30	-	-	kΩ	-
Capacitive load	-	-	50	pF	-
Output voltage range	0.35	-	AVCC0 – 0.47	V	-
DNL differential nonlinearity error	-	±0.5	±1.0	LSB	-
INL integral nonlinearity error	-	±2.0	±8.0	LSB	-
Offset error	-	-	±20	mV	-
Full-scale error	-	-	±20	mV	-
Output impedance	-	5	-	Ω	-
Conversion time	-	-	30	μs	-

**Table 2.59 D/A conversion characteristics (2)**

Conditions: VCC = AVCC0 = 1.8 to 5.5 V

Reference voltage = AVCC0 or AVSS0 selected

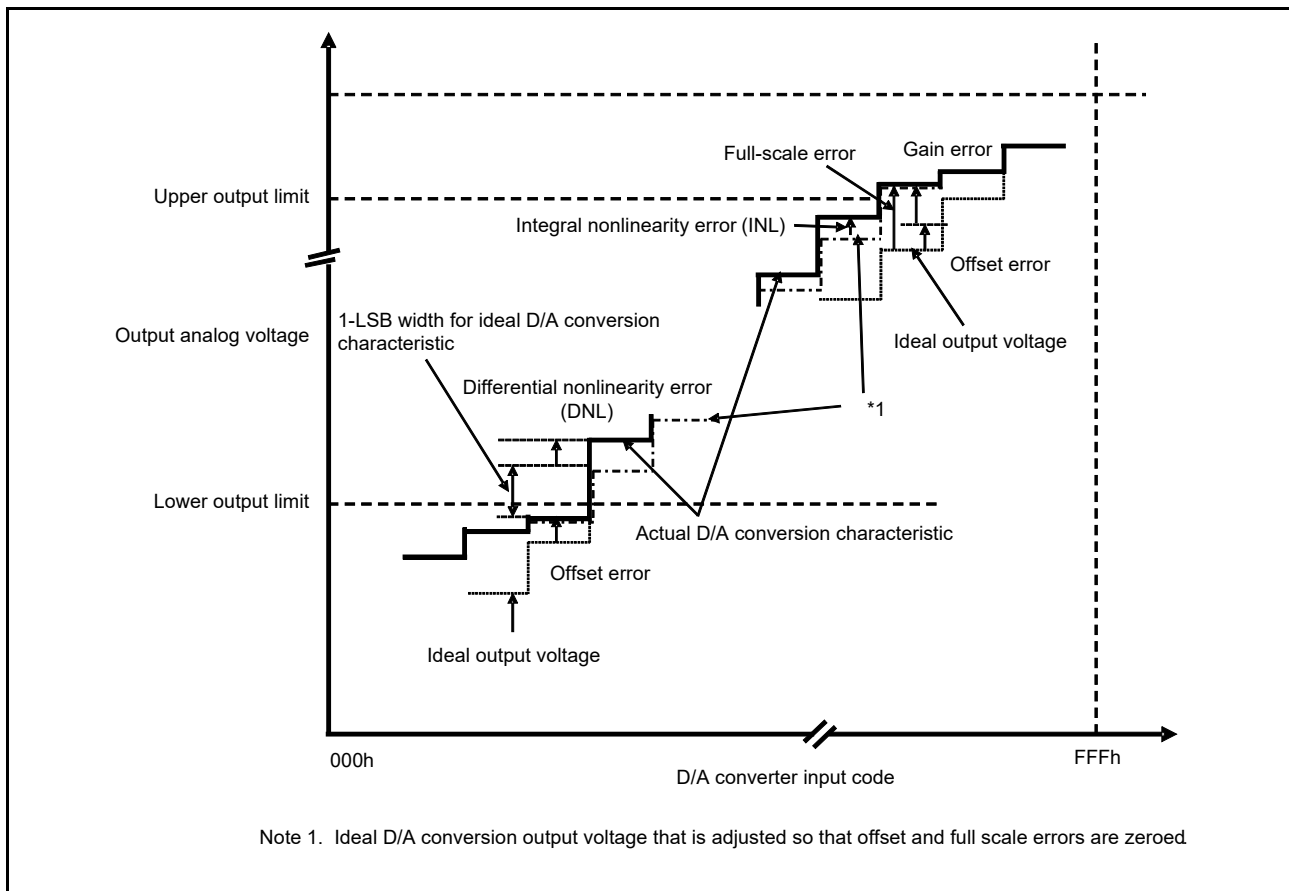
Parameter	Min	Typ	Max	Unit	Test conditions
Resolution	-	-	12	bit	-
Resistive load	30	-	-	kΩ	-
Capacitive load	-	-	50	pF	-
Output voltage range	0.35	-	AVCC0 – 0.47	V	-
DNL differential nonlinearity error	-	±0.5	±2.0	LSB	-
INL integral nonlinearity error	-	±2.0	±8.0	LSB	-
Offset error	-	-	±30	mV	-
Full-scale error	-	-	±30	mV	-
Output impedance	-	5	-	Ω	-
Conversion time	-	-	30	μs	-

**Table 2.60 D/A conversion characteristics (3)**

Conditions: VCC = AVCC0 = 1.8 to 5.5 V

Reference voltage = internal reference voltage selected

Parameter	Min	Typ	Max	Unit	Test conditions
Resolution	-	-	12	bit	-
Internal reference voltage (Vbgr)	1.36	1.43	1.50	V	-
Resistive load	30	-	-	kΩ	-
Capacitive load	-	-	50	pF	-
Output voltage range	0.35	-	Vbgr	V	-
DNL differential nonlinearity error	-	±2.0	±16.0	LSB	-
INL integral nonlinearity error	-	±8.0	±16.0	LSB	-
Offset error	-	-	±30	mV	-
Output impedance	-	5	-	Ω	-
Conversion time	-	-	30	μs	-



**Figure 2.80 Illustration of D/A converter characteristic terms**

### Integral nonlinearity error (INL)

Integral nonlinearity error is the maximum deviation between the ideal output voltage based on the ideal conversion characteristic when the measured offset and full-scale errors are zeroed, and the actual output voltage.

### Differential nonlinearity error (DNL)

Differential nonlinearity error is the difference between 1-LSB voltage width based on the ideal D/A conversion characteristics and the width of the actual output voltage.

### Offset error

Offset error is the difference between the highest actual output voltage that falls below the lower output limit and the ideal output voltage based on the input code.

### Full-scale error

Full-scale error is the difference between the lowest actual output voltage that exceeds the upper output limit and the ideal output voltage based on the input code.

## 2.7 TSN Characteristics

**Table 2.61 TSN characteristics**

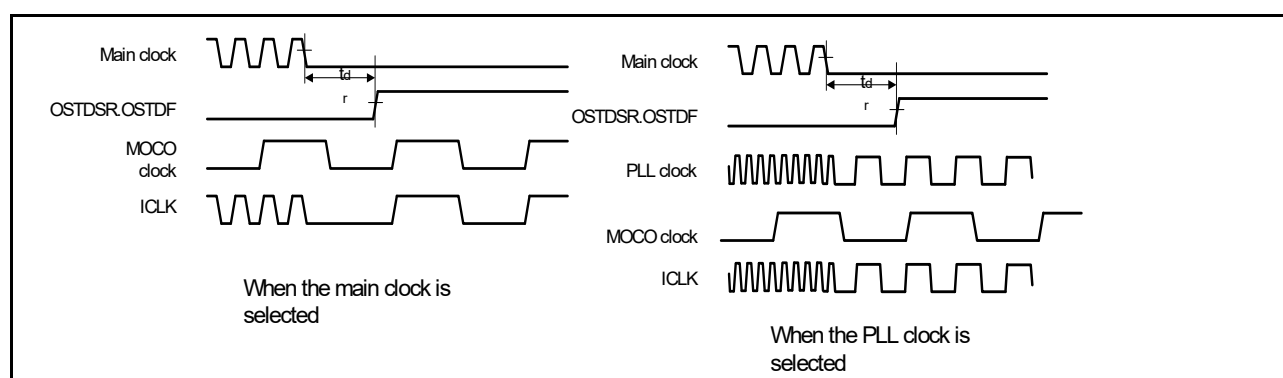
Conditions: VCC = AVCC0 = 2.0 to 5.5 V

Parameter	Symbol	Min	Typ	Max	Unit	Test conditions
Relative accuracy	-	-	±1.5	-	°C	2.4 V or above
	-	-	±2.0	-	°C	Below 2.4 V
Temperature slope	-	-	-3.65	-	mV/°C	-
Output voltage (at 25°C)	-	-	1.05	-	V	VCC = 3.3 V
Temperature sensor start time	t <sub>START</sub>	-	-	5	µs	-
Sampling time	-	5	-	-	µs	-

## 2.8 OSC Stop Detect Characteristics

**Table 2.62 Oscillation stop detection circuit characteristics**

Parameter	Symbol	Min	Typ	Max	Unit	Test conditions
Detection time	t <sub>dr</sub>	-	-	1	ms	Figure 2.81


**Figure 2.81 Oscillation stop detection timing**

## 2.9 POR and LVD Characteristics

**Table 2.63 Power-on reset circuit and voltage detection circuit characteristics (1)**

Parameter		Symbol	Min	Typ	Max	Unit	Test conditions
Voltage detection level*1	Power-on reset (POR)	$V_{POR}$	1.27	1.42	1.57	V	<a href="#">Figure 2.82</a> , <a href="#">Figure 2.83</a>
	Voltage detection circuit (LVD0)*2	$V_{det0\_0}$	3.68	3.85	4.00	V	<a href="#">Figure 2.84</a> At falling edge VCC
		$V_{det0\_1}$	2.68	2.85	2.96		
		$V_{det0\_2}$	2.38	2.53	2.64		
		$V_{det0\_3}$	1.78	1.90	2.02		
		$V_{det0\_4}$	1.60	1.69	1.82		
	Voltage detection circuit (LVD1)*3	$V_{det1\_0}$	4.13	4.29	4.45	V	<a href="#">Figure 2.85</a> At falling edge VCC
		$V_{det1\_1}$	3.98	4.16	4.30		
		$V_{det1\_2}$	3.86	4.03	4.18		
		$V_{det1\_3}$	3.68	3.86	4.00		
		$V_{det1\_4}$	2.98	3.10	3.22		
		$V_{det1\_5}$	2.89	3.00	3.11		
		$V_{det1\_6}$	2.79	2.90	3.01		
		$V_{det1\_7}$	2.68	2.79	2.90		
		$V_{det1\_8}$	2.58	2.68	2.78		
		$V_{det1\_9}$	2.48	2.58	2.68		
		$V_{det1\_A}$	2.38	2.48	2.58		
		$V_{det1\_B}$	2.10	2.20	2.30		
		$V_{det1\_C}$	1.84	1.96	2.05		
		$V_{det1\_D}$	1.74	1.86	1.95		
$V_{det1\_E}$	1.63	1.75	1.84				
$V_{det1\_F}$	1.60	1.65	1.73				
Voltage detection circuit (LVD2)*4	$V_{det2\_0}$	4.11	4.31	4.48	V	<a href="#">Figure 2.86</a> At falling edge VCC	
	$V_{det2\_1}$	3.97	4.17	4.34			
	$V_{det2\_2}$	3.83	4.03	4.20			
	$V_{det2\_3}$	3.64	3.84	4.01			

Note 1. These characteristics apply when noise is not superimposed on the power supply. When a setting causes this voltage detection level to overlap with that of the voltage detection circuit, it cannot be specified whether LVD1 or LVD2 is used for voltage detection.

Note 2. # in the symbol  $V_{det0\_#}$  denotes the value of the OFS1.VDSEL1[2:0] bits.

Note 3. # in the symbol  $V_{det1\_#}$  denotes the value of the LVDLVLR.LVD1LVL[4:0] bits.

Note 4. # in the symbol  $V_{det2\_#}$  denotes the value of the LVDLVLR.LVD2LVL[2:0] bits.

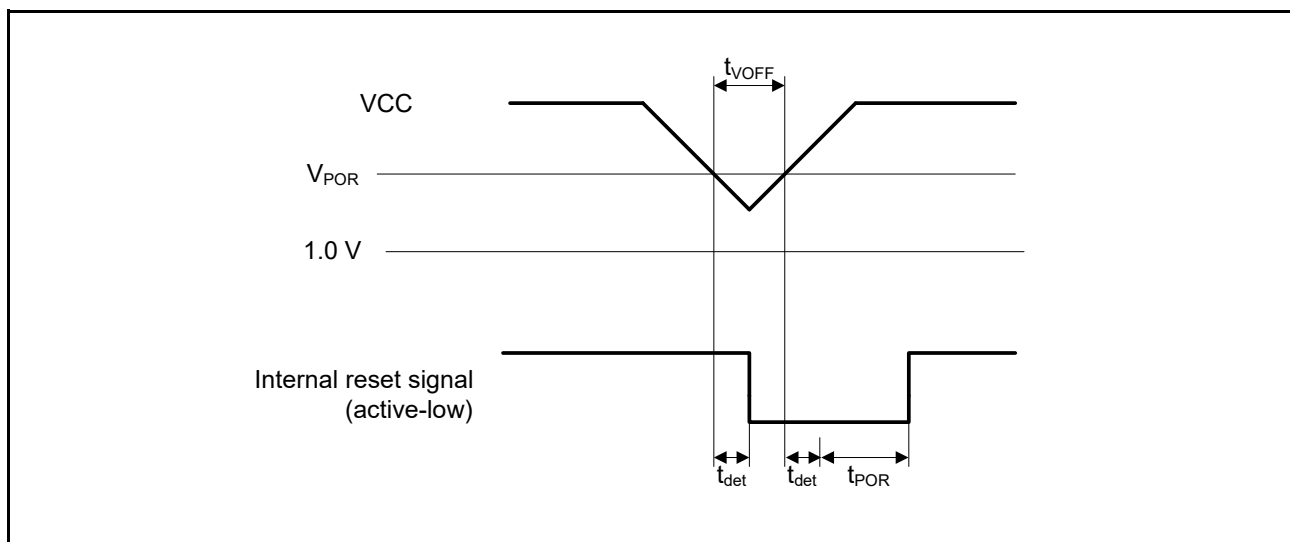
**Table 2.64 Power-on reset circuit and voltage detection circuit characteristics (2)**

Parameter	Symbol	Min	Typ	Max	Unit	Test conditions	
Wait time after power-on reset cancellation	LVD0:enable	$t_{POR}$	-	1.7	-	ms	-
	LVD0:disable	$t_{POR}$	-	1.3	-	ms	-
Wait time after voltage monitor 0, 1, 2 reset cancellation	LVD0:enable*1	$t_{LVD0,1,2}$	-	0.6	-	ms	-
	LVD0:disable*2	$t_{LVD1,2}$	-	0.2	-	ms	-
Response delay*3	$t_{det}$	-	-	350	$\mu$ s	Figure 2.82, Figure 2.83	
Minimum VCC down time	$t_{VOFF}$	450	-	-	$\mu$ s	Figure 2.82, VCC = 1.0 V or above	
Power-on reset enable time	$t_W$ (POR)	1	-	-	ms	Figure 2.83, VCC = below 1.0 V	
LVD operation stabilization time (after LVD is enabled)	$T_d$ (E-A)	-	-	300	$\mu$ s	Figure 2.85, Figure 2.86	
Hysteresis width (POR)	$V_{PORH}$	-	110	-	mV	-	
Hysteresis width (LVD0, LVD1 and LVD2)	$V_{LVH}$	-	60	-	mV	LVD0 selected	
		-	100	-	mV	$V_{det1\_0}$ to $V_{det1\_2}$ selected.	
		-	60	-	mV	$V_{det1\_3}$ to $V_{det1\_g}$ selected.	
		-	50	-	mV	$V_{det1\_A}$ or $V_{det1\_B}$ selected.	
		-	40	-	mV	$V_{det1\_C}$ or $V_{det1\_F}$ selected.	
		-	60	-	mV	LVD2 selected	

Note 1. When OFS1.LVDAS = 0.

Note 2. When OFS1.LVDAS = 1.

Note 3. The minimum VCC down time indicates the time when VCC is below the minimum value of voltage detection levels  $V_{POR}$ ,  $V_{det0}$ ,  $V_{det1}$ , and  $V_{det2}$  for the POR/LVD.

**Figure 2.82 Voltage detection reset timing**

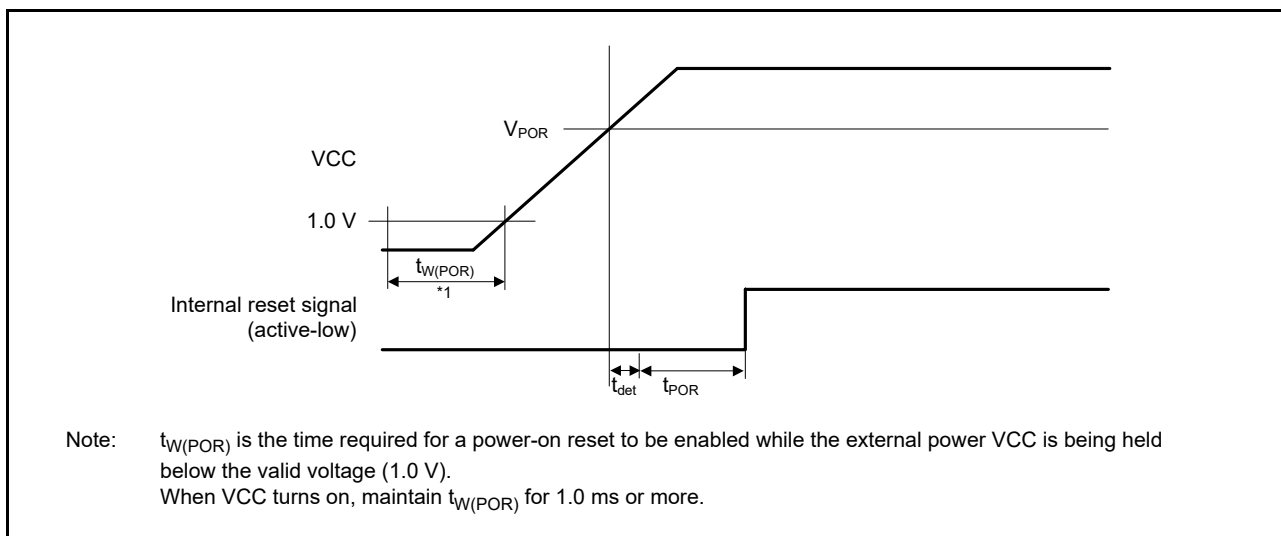


Figure 2.83 Power-on reset timing

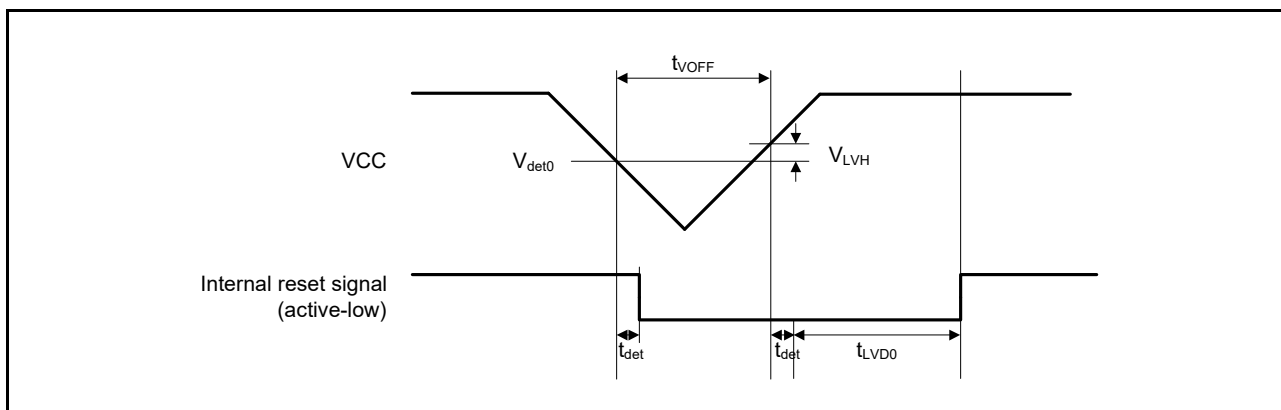


Figure 2.84 Voltage detection circuit timing ( $V_{det0}$ )

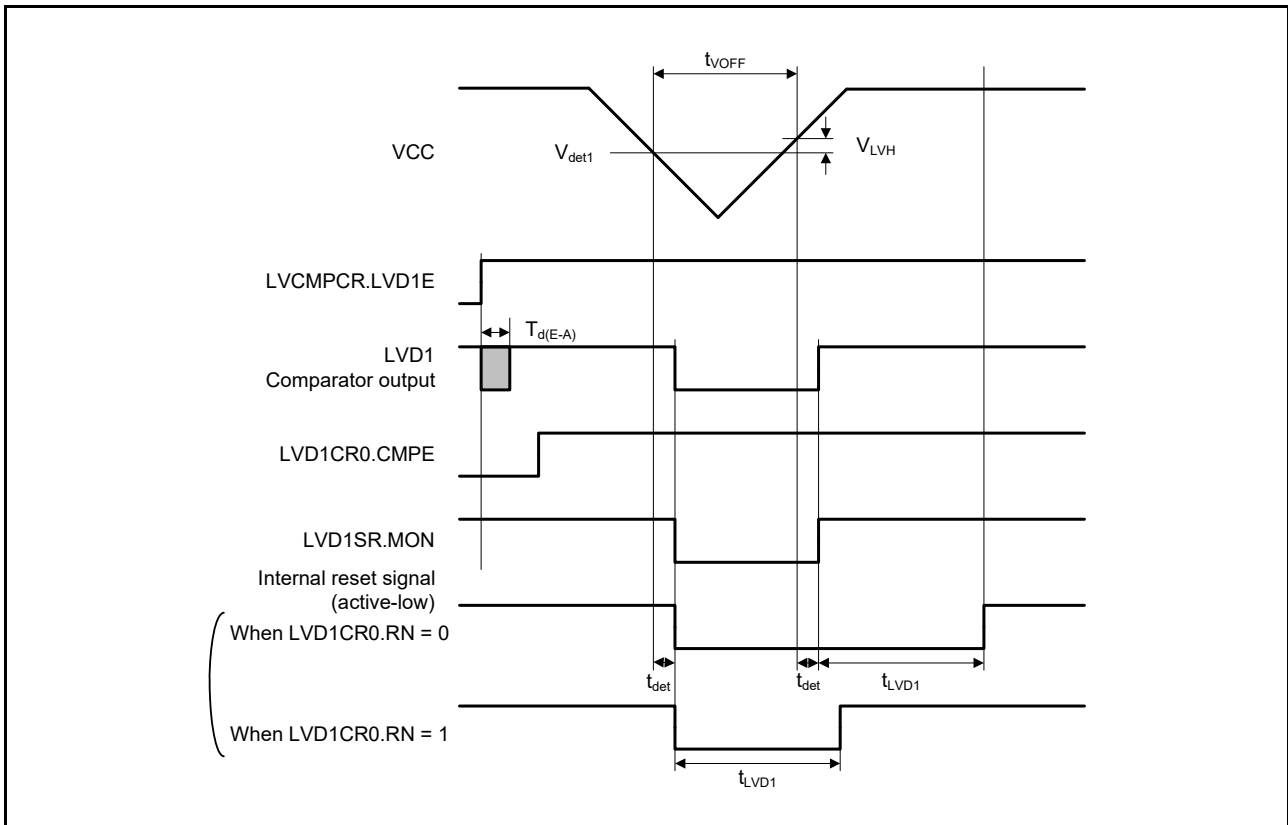


Figure 2.85 Voltage detection circuit timing ( $V_{det1}$ )

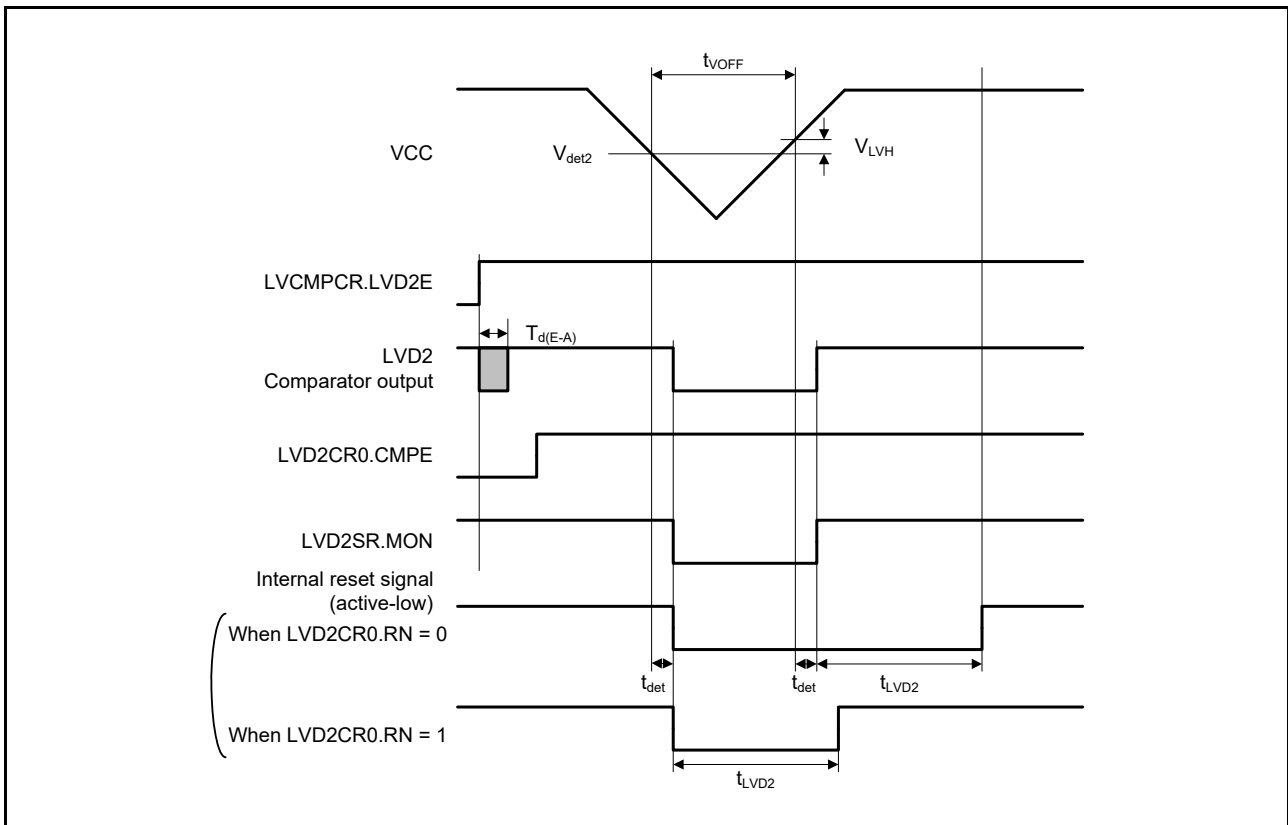


Figure 2.86 Voltage detection circuit timing ( $V_{det2}$ )



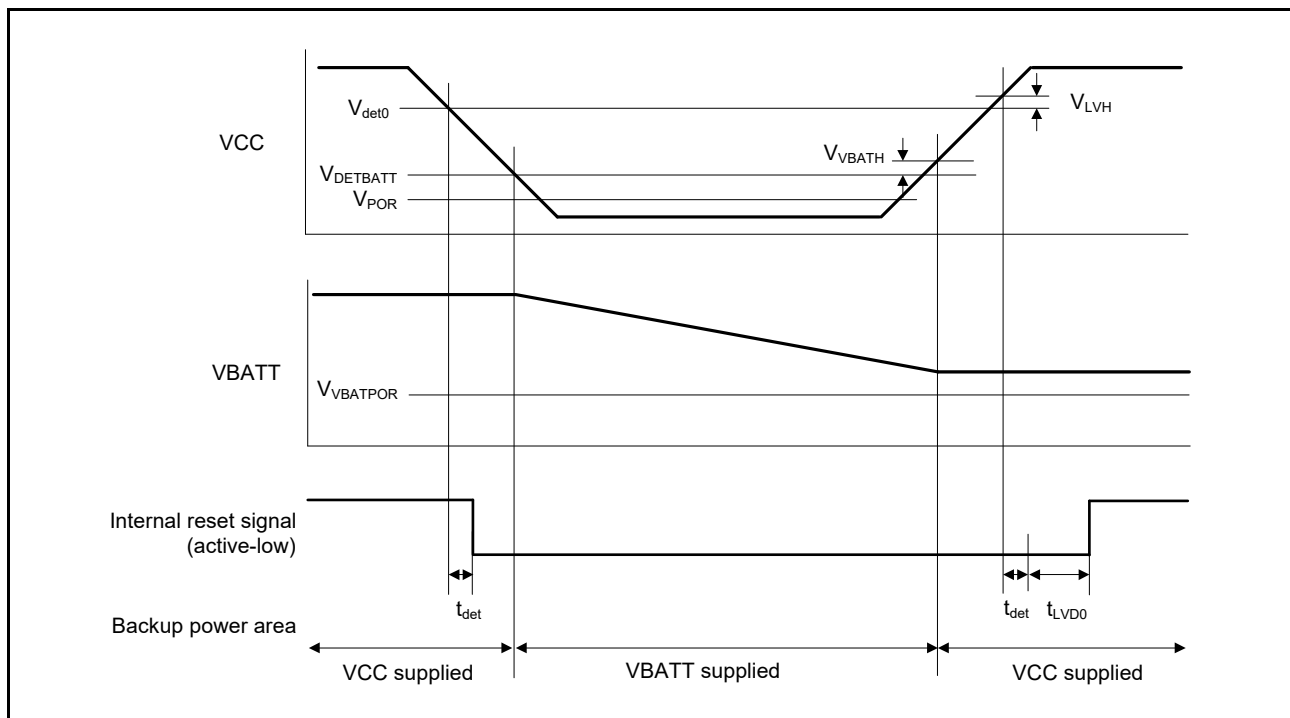
## 2.10 Battery Backup Function Characteristics

**Table 2.65 Battery Backup Function Characteristics**

Conditions: VCC = AVCC0 = 1.6V to 5.5V, VBATT = 1.6 to 3.6 V, VSS = AVSS0 = 0V

Parameter	Symbol	Min	Typ	Max	Unit	Test conditions	
Voltage level for switching to battery backup (falling)	$V_{DET\ BATT}$	1.99	2.09	2.19	V	Figure 2.87, Figure 2.88	
Hysteresis width for switching to battery back up	$V_{VBAT\ TH}$	-	100	-	mV		
VCC-off period for starting power supply switching	$t_{V\ OFF\ BATT}$	300	-	-	$\mu\text{s}$	-	
Voltage detection level VBATT_Power-on reset (VBATT_POR)	$V_{VBAT\ POR}$	1.30	1.40	1.50	V	Figure 2.87, Figure 2.88	
Wait time after VBATT_POR reset time cancellation	$t_{VBAT\ POR}$	-	-	3	mS	-	
Level for detection of voltage drop on the VBATT pin (falling)	VBTLVDLVL[1:0] = 10b	$V_{DET\ BAT\ LVD}$	2.11	2.2	2.29	V	Figure 2.89
	VBTLVDLVL[1:0] = 11b		1.92	2	2.08	V	
Hysteresis width for VBATT pin LVD	$V_{VBAT\ LVD\ TH}$	-	50	-	mV		
VBATT pin LVD operation stabilization time	$t_{d\_vbat}$	-	-	300	$\mu\text{s}$	Figure 2.89	
VBATT pin LVD response delay time	$t_{det\_vbat}$	-	-	350	$\mu\text{s}$		
Allowable voltage change rising/falling gradient	$dt/dVCC$	1.0	-	-	ms/V	-	
VCC voltage level for access to the VBATT backup registers	$V_{\_BKBATT}$	1.8	-	-	V	-	

Note: The VCC-off period for starting power supply switching indicates the period in which VCC is below the minimum value of the voltage level for switching to battery backup ( $V_{DET\ BATT}$ ).


**Figure 2.87 Power supply switching and LVD0 reset Timing**

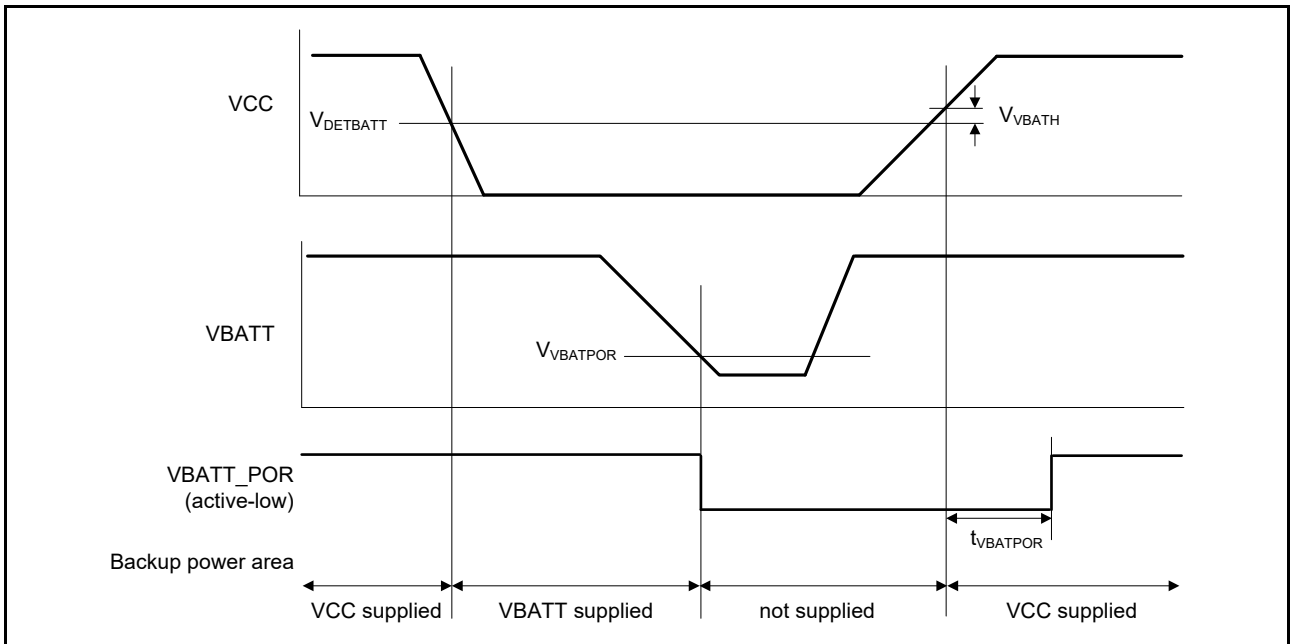


Figure 2.88 VBATT\_POR reset timing

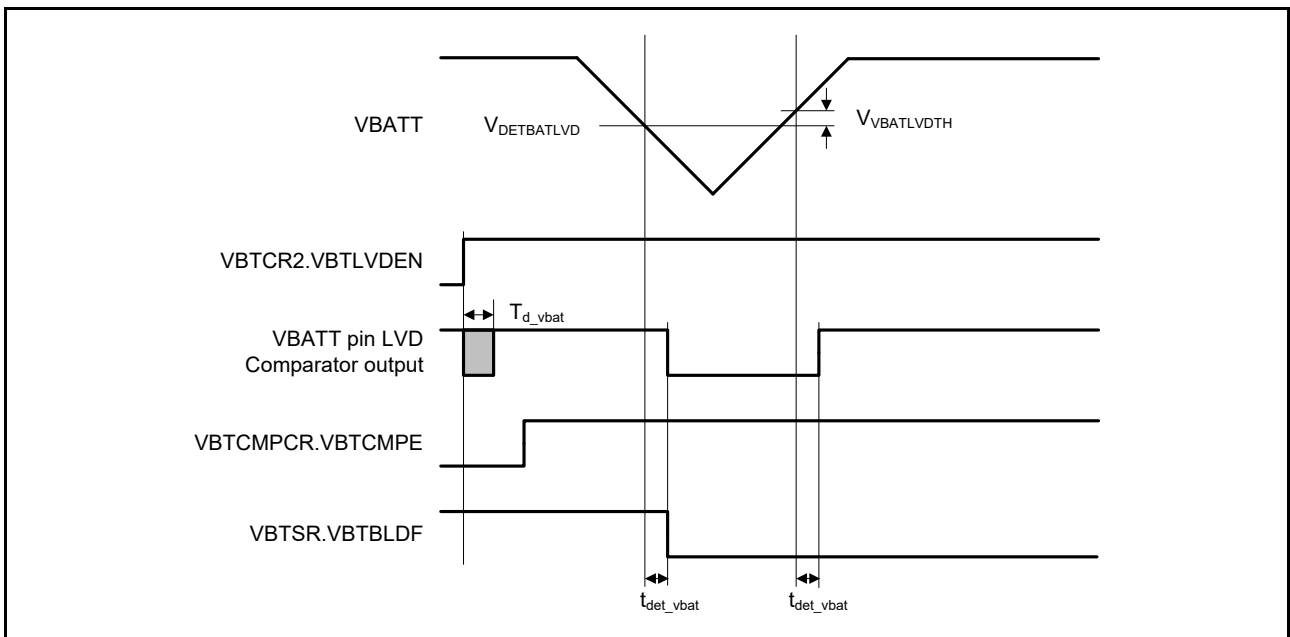


Figure 2.89 VBATT pin voltage detection circuit timing

**Table 2.66 VBATT-I/O characteristics**

Parameter			Symbol	Min	Typ	Max	Unit	Test conditions
VBATWIO n/I/O output characteristics (n = 0 to 2)	VCC > V <sub>DET</sub> BATT	VCC = 4.0 to 5.5 V	V <sub>OH</sub>	VCC - 0.8	-	-	V	I <sub>OH</sub> = -200 μA
			V <sub>OL</sub>	-	-	0.8		I <sub>OL</sub> = 200 μA
		VCC = 2.7 to 4.0 V	V <sub>OH</sub>	VCC - 0.5	-	-		I <sub>OH</sub> = -100 μA
			V <sub>OL</sub>	-	-	0.5		I <sub>OL</sub> = 100 μA
		VCC = V <sub>DET</sub> BATT to 2.7 V	V <sub>OH</sub>	VCC - 0.3	-	-		I <sub>OH</sub> = -50 μA
			V <sub>OL</sub>	-	-	0.3		I <sub>OL</sub> = 50 μA
	VCC < V <sub>DET</sub> BATT	VBATT = 2.7 to 3.6 V	V <sub>OH</sub>	V <sub>BATT</sub> - 0.5	-	-		I <sub>OH</sub> = -100 μA
			V <sub>OL</sub>	-	-	0.5		I <sub>OL</sub> = 100 μA
		VBATT = 1.6 to 2.7 V	V <sub>OH</sub>	V <sub>BATT</sub> - 0.3	-	-		I <sub>OH</sub> = -50 μA
			V <sub>OL</sub>	-	-	0.3		I <sub>OL</sub> = 50 μA

## 2.11 CTSU Characteristics

**Table 2.67 CTSU characteristics**

Conditions: VCC = AVCC0 = 1.8 to 5.5 V

Parameter	Symbol	Min	Typ	Max	Unit	Test conditions
External capacitance connected to TSCAP pin	C <sub>tscap</sub>	9	10	11	nF	-
TS pin capacitive load	C <sub>base</sub>	-	-	50	pF	-
Permissible output high current	ΣI <sub>oH</sub>	-	-	-24	mA	When the mutual capacitance method is applied

## 2.12 Segment LCD Controller/Driver Characteristics

### 2.12.1 Resistance Division Method

[Static Display Mode]

**Table 2.68 Resistance division method LCD characteristics (1)**

Conditions: VL4 ≤ VCC ≤ 5.5 V

Parameter	Symbol	Min	Typ	Max	Unit	Test conditions
LCD drive voltage	V <sub>L4</sub>	2.0	-	VCC	V	-

[1/2 Bias Method, 1/4 Bias Method]

**Table 2.69 Resistance division method LCD characteristics (2)**

Conditions: VL4 ≤ VCC ≤ 5.5 V

Parameter	Symbol	Min	Typ	Max	Unit	Test conditions
LCD drive voltage	V <sub>L4</sub>	2.7	-	VCC	V	-

[1/3 Bias Method]

**Table 2.70 Resistance division method LCD characteristics (3)**

Conditions: VL4 ≤ VCC ≤ 5.5 V

Parameter	Symbol	Min	Typ	Max	Unit	Test conditions
LCD drive voltage	V <sub>L4</sub>	2.5	-	VCC	V	-

## 2.12.2 Internal Voltage Boosting Method

[1/3 Bias Method]

**Table 2.71 Internal voltage boosting method LCD characteristics**

Conditions: VCC = AVCC0 = 1.8 V to 5.5 V

Parameter	Symbol	Conditions		Min	Typ	Max	Unit	Test conditions
LCD output voltage variation range	$V_{L1}$	C1 to C4*1 = 0.47 $\mu$ F	VLCD = 04h	0.90	1.0	1.08	V	-
			VLCD = 05h	0.95	1.05	1.13	V	-
			VLCD = 06h	1.00	1.10	1.18	V	-
			VLCD = 07h	1.05	1.15	1.23	V	-
			VLCD = 08h	1.10	1.20	1.28	V	-
			VLCD = 09h	1.15	1.25	1.33	V	-
			VLCD = 0Ah	1.20	1.30	1.38	V	-
			VLCD = 0Bh	1.25	1.35	1.43	V	-
			VLCD = 0Ch	1.30	1.40	1.48	V	-
			VLCD = 0Dh	1.35	1.45	1.53	V	-
			VLCD = 0Eh	1.40	1.50	1.58	V	-
			VLCD = 0Fh	1.45	1.55	1.63	V	-
			VLCD = 10h	1.50	1.60	1.68	V	-
			VLCD = 11h	1.55	1.65	1.73	V	-
VLCD = 12h	1.60	1.70	1.78	V	-			
VLCD = 13h	1.65	1.75	1.83	V	-			
Doubler output voltage	$V_{L2}$	C1 to C4*1 = 0.47 $\mu$ F		$2 \times V_{L1} - 0.1$	$2 \times V_{L1}$	$2 \times V_{L1}$	V	-
Tripler output voltage	$V_{L4}$	C1 to C4*1 = 0.47 $\mu$ F		$3 \times V_{L1} - 0.15$	$3 \times V_{L1}$	$3 \times V_{L1}$	V	-
Reference voltage setup time*2	$t_{VL1S}$			5	-	-	ms	Figure 2.90
LCD output voltage variation range*3	$t_{VLWT}$	C1 to C4*1 = 0.47 $\mu$ F		500	-	-	ms	

Note 1. This is a capacitor that is connected between voltage pins used to drive the LCD.

C1: A capacitor connected between CAPH and CAPL

C2: A capacitor connected between VL1 and GND

C3: A capacitor connected between VL2 and GND

C4: A capacitor connected between VL4 and GND

C1 = C2 = C3 = C4 = 0.47  $\mu$ F  $\pm$ 30%

Note 2. This is the time required to wait from when the reference voltage is specified using the VLCD register (or when the internal voltage boosting method is selected (by setting the MDSET[1:0] bits in the LCDM0 register to 01b) if the default value reference voltage is used) until voltage boosting starts (VLCON = 1).

Note 3. This is the wait time from when voltage boosting is started (VLCON = 1) until display is enabled (LCDON = 1).

[1/4 Bias Method]

**Table 2.72 Internal voltage boosting method LCD characteristics**

Conditions: VCC = AVCC0 = 1.8 V to 5.5 V

Parameter	Symbol	Conditions	Min	Typ	Max	Unit	Test conditions	
LCD output voltage variation range	V <sub>L1</sub>	C1 to C5*1 = 0.47 μF	VLCD = 04h	0.90	1.0	1.08	V	-
			VLCD = 05h	0.95	1.05	1.13	V	-
			VLCD = 06h	1.00	1.10	1.18	V	-
			VLCD = 07h	1.05	1.15	1.23	V	-
			VLCD = 08h	1.10	1.20	1.28	V	-
			VLCD = 09h	1.15	1.25	1.33	V	-
			VLCD = 0Ah	1.20	1.30	1.38	V	-
			VLCD = 0Bh	1.25	1.35	1.43	V	-
		VLCD = 0Ch	1.30	1.40	1.48	V	-	
Doubler output voltage	V <sub>L2</sub>	C1 to C5*1 = 0.47 μF	2V <sub>L1</sub> - 0.08	2V <sub>L1</sub>	2V <sub>L1</sub>	V	-	
Tripler output voltage	V <sub>L3</sub>	C1 to C5*1 = 0.47 μF	3V <sub>L1</sub> - 0.12	3V <sub>L1</sub>	3V <sub>L1</sub>	V	-	
Quadruply output voltage	V <sub>L4</sub> *4	C1 to C5*1 = 0.47 μF	4V <sub>L1</sub> - 0.16	4V <sub>L1</sub>	4V <sub>L1</sub>	V	-	
Reference voltage setup time*2	t <sub>VL1S</sub>		5	-	-	ms	Figure 2.90	
LCD output voltage variation range*3	t <sub>VLWT</sub>	C1 to C5*1 = 0.47 μF	500	-	-	ms		

Note 1. This is a capacitor that is connected between voltage pins used to drive the LCD.

C1: A capacitor connected between CAPH and CAPL

C2: A capacitor connected between VL1 and GND

C3: A capacitor connected between VL2 and GND

C4: A capacitor connected between VL3 and GND

C5: A capacitor connected between VL4 and GND

C1 = C2 = C3 = C4 = C5 = 0.47 μF ± 30%

Note 2. This is the time required to wait from when the reference voltage is specified by using the VLCD register (or when the internal voltage boosting method is selected (by setting the MDSET1 and MDSET0 bits in the LCDM0 register to 01b) if the default value reference voltage is used) until voltage boosting starts (VLCON = 1).

Note 3. This is the wait time from when voltage boosting is started (VLCON = 1) until display is enabled (LCDON = 1).

Note 4. V<sub>L4</sub> must be 5.5 V or lower.

### 2.12.3 Capacitor Split Method

[1/3 Bias Method]

**Table 2.73 Internal voltage boosting method LCD characteristics**

Conditions: VCC = AVCC0 = 2.2 V to 5.5 V

Parameter	Symbol	Conditions	Min	Typ	Max	Unit	Test conditions
VL4 voltage*1	$V_{L4}$	C1 to C4 = 0.47 $\mu\text{F}$ *2	-	VCC	-	V	-
VL2 voltage*1	$V_{L2}$	C1 to C4 = 0.47 $\mu\text{F}$ *2	$2/3 \times V_{L4} - 0.07$	$2/3 \times V_{L4}$	$2/3 \times V_{L4} + 0.07$	V	-
VL1 voltage*1	$V_{L1}$	C1 to C4 = 0.47 $\mu\text{F}$ *2	$1/3 \times V_{L4} - 0.08$	$1/3 \times V_{L4}$	$1/3 \times V_{L4} + 0.08$	V	-
Capacitor split wait time*1	$t_{\text{WAIT}}$		100	-	-	ms	Figure 2.90

Note 1. This is the wait time from when voltage bucking is started (VLCON = 1) until display is enabled (LCDON = 1).

Note 2. This is a capacitor that is connected between voltage pins used to drive the LCD.

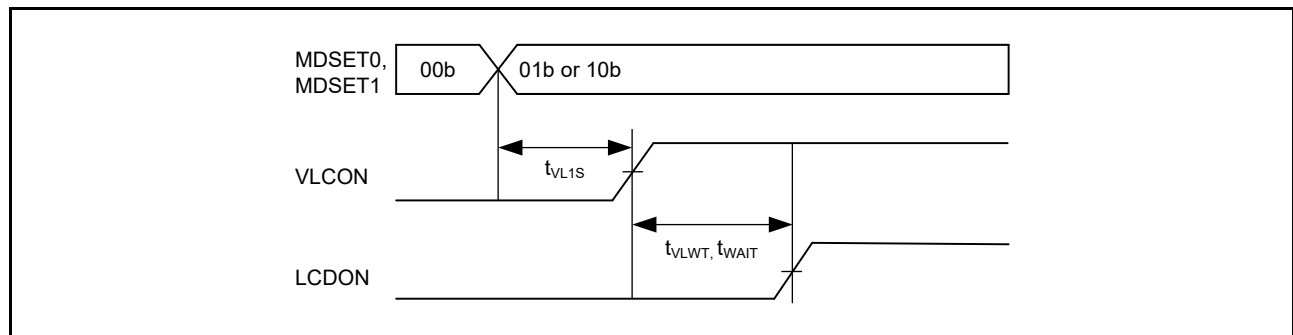
C1: A capacitor connected between CAPH and CAPL

C2: A capacitor connected between VL1 and GND

C3: A capacitor connected between VL2 and GND

C4: A capacitor connected between VL4 and GND

C1 = C2 = C3 = C4 = 0.47  $\mu\text{F} \pm 30\%$



**Figure 2.90 LCD reference voltage setup time, voltage boosting wait time, and capacitor split wait time**

## 2.13 Comparator Characteristics

**Table 2.74 ACMPHS characteristics**

Conditions: VCC = AVCC0 = 2.7 to 5.5 V, VSS = AVSS0 = 0 V

Parameter	Symbol	Min	Typ	Max	Unit	Test conditions
Input offset voltage	V <sub>IOCOMP</sub>	-	±5	±40	mV	-
Input voltage range	V <sub>ICMP</sub>	0	-	AVCC0	V	-
Internal reference voltage	-	1.36	1.44	1.50	V	-
Input signal cycle	t <sub>PCMP</sub>	10	-	-	µs	-
Output delay time	t <sub>d</sub>	-	50	100	ns	Input amplitude ± 100 mV
Stabilization wait time during input channel switching*1	t <sub>WAIT</sub>	300	-	-	ns	Input amplitude ± 100 mV
Operation stabilization wait time*2	t <sub>CMP</sub>	1	-	-	µs	3.3 V ≤ AVCC0 ≤ 5.5 V
		3	-	-	µs	2.7 V ≤ AVCC0 < 3.3 V

Note 1. Period of time from when the comparator input channel is switched until the comparator is switched to output.

Note 2. Period of time from when the comparator operation is enabled (CMPCTL.HCMPON = 1) until the comparator satisfies the DC/AC characteristics.

**Table 2.75 ACMPLP characteristics**

Conditions: VCC = AVCC0 = 1.8 to 5.5 V, VSS = AVSS0 = 0 V

Parameter	Symbol	Min	Typ	Max	Unit	Test conditions	
Reference voltage range	VREF	0	-	VCC -1.4	V	-	
Input voltage range	V <sub>I</sub>	0	-	VCC	V	-	
Internal reference voltage	-	1.36	1.44	1.50	V	-	
Output delay	High-speed mode	T <sub>d</sub>	-	-	1.2	µs	VCC = 3.0 Slew rate of input signal > 50 mV/µs
	Low-speed mode		-	-	5	µs	
	Window mode		-	-	2	µs	
Offset voltage	High-speed mode	-	-	-	50	mV	-
	Low-speed mode	-	-	-	40	mV	-
	Window mode	-	-	-	60	mV	-
Internal reference voltage for window mode	VRFH	-	0.76 × VCC	-	V	-	
	VRFL	-	0.24 × VCC	-	V	-	
Operation stabilization wait time	T <sub>cmp</sub>	100	-	-	µs	-	

## 2.14 OPAMP Characteristics

**Table 2.76 OPAMP characteristics**Conditions:  $1.8\text{ V} \leq AVCC0 = VCC \leq 5.5\text{ V}$ ,  $VSS = AVSS0 = 0\text{ V}$ 

Parameter	Symbol	Conditions	Min	Typ	Max	Unit	
Common mode input range	Vicm1	Low power mode	0.2	-	$AVCC0 - 0.5$	V	
	Vicm2	High-speed mode	0.3	-	$AVCC0 - 0.6$	V	
Output voltage range	Vo1	Low power mode	0.1	-	$AVCC0 - 0.1$	V	
	Vo2	High-speed mode	0.1	-	$AVCC0 - 0.1$	V	
Input offset voltage	Vioff	$3\sigma$	-10	-	10	mV	
Open gain	Av		60	120	-	dB	
Gain-bandwidth (GB) product	GBW1	Low power mode	-	0.04	-	MHz	
	GBW2	High-speed mode	-	1.7	-	MHz	
Phase margin	PM	CL = 20 pF	50	-	-	deg	
Gain margin	GM	CL = 20 pF	10	-	-	dB	
Equivalent input noise	Vnoise1	f = 1 kHz	Low power mode	-	230	-	$nV/\sqrt{\text{Hz}}$
	Vnoise2	f = 10 kHz		-	200	-	$nV/\sqrt{\text{Hz}}$
	Vnoise3	f = 1 kHz	High-speed mode	-	90	-	$nV/\sqrt{\text{Hz}}$
	Vnoise4	f = 2 kHz		-	70	-	$nV/\sqrt{\text{Hz}}$
Power supply reduction ratio	PSRR		-	90	-	dB	
Common mode signal reduction ratio	CMRR		-	90	-	dB	
Stabilization wait time	Tstd1	CL = 20 pF Only operational amplifier is activated *1	Low power mode	650	-	-	$\mu\text{s}$
	Tstd2		High-speed mode	13	-	-	$\mu\text{s}$
	Tstd3	CL = 20 pF Operational amplifier and reference current circuit are activated simultaneously	Low power mode	650	-	-	$\mu\text{s}$
	Tstd4		High-speed mode	13	-	-	$\mu\text{s}$
Settling time	Tset1	CL = 20 pF	Low power mode	-	-	750	$\mu\text{s}$
	Tset2		High-speed mode	-	-	13	$\mu\text{s}$
Slew rate	Tslew1	CL = 20 pF	Low power mode	-	0.02	-	$\text{V}/\mu\text{s}$
	Tslew2		High-speed mode	-	1.1	-	$\text{V}/\mu\text{s}$
Load current	Iload1	Low power mode	-100	-	100	$\mu\text{A}$	
	Iload2	High-speed mode	-100	-	100	$\mu\text{A}$	
Load capacitance	CL		-	-	20	pF	

Note 1. When the operational amplifier reference current circuit is activated in advance.



## 2.15 Flash Memory Characteristics

### 2.15.1 Code Flash Memory Characteristics

**Table 2.77 Code flash characteristics (1)**

Parameter	Symbol	Min	Typ	Max	Unit	Test conditions
Reprogramming/erasure cycle*1	N <sub>PEC</sub>	1000	-	-	Times	-
Data hold time	After 1000 times of N <sub>PEC</sub>	t <sub>DRP</sub>	20*2, *3	-	Year	T <sub>a</sub> = +85°C

Note 1. The reprogram/erase cycle is the number of erasure for each block. When the reprogram/erase cycle is n times (n = 1,000), erasing can be performed n times for each block. For instance, when 8-byte programming is performed 256 times for different addresses in 2-KB blocks, and then the entire block is erased, the reprogram/erase cycle is counted as one. However, programming the same address for several times as one erasure is not enabled. (overwriting is prohibited).

Note 2. Characteristic when using the flash memory programmer and the self-programming library provided by Renesas Electronics.

Note 3. This result is obtained from reliability testing.

**Table 2.78 Code flash characteristics (2)**

High-speed operating mode

Conditions: VCC = AVCC0 = 2.7 to 5.5 V

Parameter	Symbol	FCLK = 1 MHz			FCLK = 32 MHz			Unit	
		Min	Typ	Max	Min	Typ	Max		
Programming time	8-byte	t <sub>P8</sub>	-	116	998	-	54	506	μs
Erasure time	2-KB	t <sub>E2K</sub>	-	9.03	287	-	5.67	222	ms
Blank check time	8-byte	t <sub>BC8</sub>	-	-	56.8	-	-	16.6	μs
	2-KB	t <sub>BC2K</sub>	-	-	1899	-	-	140	μs
Erase suspended time		t <sub>SED</sub>	-	-	22.5	-	-	10.7	μs
Startup area switching setting time		t <sub>SAS</sub>	-	21.7	585	-	12.1	447	ms
Access window time		t <sub>AWS</sub>	-	21.7	585	-	12.1	447	ms
OCD/serial programmer ID setting time		t <sub>OSIS</sub>	-	21.7	585	-	12.1	447	ms
Flash memory mode transition wait time 1		t <sub>DIS</sub>	2	-	-	2	-	-	μs
Flash memory mode transition wait time 2		t <sub>MS</sub>	5	-	-	5	-	-	μs

Note: Does not include the time until each operation of the flash memory is started after instructions are executed by the software.

Note: The lower-limit frequency of FCLK is 1 MHz during programming or erasing the flash memory. When using FCLK at below 4 MHz, the frequency can be set to 1 MHz, 2 MHz, or 3 MHz. A non-integer frequency such as 1.5 MHz cannot be set.

Note: The frequency accuracy of FCLK must be ±3.5%. Confirm the frequency accuracy of the clock source.

**Table 2.79 Code flash characteristics (3)**

Middle-speed operating mode

Conditions: VCC = AVCC0 = 1.8 to 5.5 V, Ta = -40 to +85°C

Parameter		Symbol	FCLK = 1 MHz			FCLK = 8 MHz			Unit
			Min	Typ	Max	Min	Typ	Max	
Programming time	8-byte	t <sub>P8</sub>	-	157	1411	-	101	966	μs
Erase time	2-KB	t <sub>E2K</sub>	-	9.10	289	-	6.10	228	ms
Blank check time	8-byte	t <sub>BC8</sub>	-	-	87.7	-	-	52.5	μs
	2-KB	t <sub>BC2K</sub>	-	-	1930	-	-	414	μs
Erase suspended time		t <sub>SED</sub>	-	-	32.7	-	-	21.6	μs
Startup area switching setting time		t <sub>SAS</sub>	-	22.5	592	-	14.0	464	ms
Access window time		t <sub>AWS</sub>	-	22.5	592	-	14.0	464	ms
OCD/serial programmer ID setting time		t <sub>OSIS</sub>	-	22.5	592	-	14.0	464	ms
Flash memory mode transition wait time 1		t <sub>DIS</sub>	2	-	-	2	-	-	μs
Flash memory mode transition wait time 2		t <sub>MS</sub>	720	-	-	720	-	-	ns

Note: Does not include the time until each operation of the flash memory is started after instructions are executed by the software.

Note: The lower-limit frequency of FCLK is 1 MHz during programming or erasing the flash memory. When using FCLK at below 4 MHz, the frequency can be set to 1 MHz, 2 MHz, or 3 MHz. A non-integer frequency such as 1.5 MHz cannot be set.

Note: The frequency accuracy of FCLK must be ±3.5%. Confirm the frequency accuracy of the clock source.

## 2.15.2 Data Flash Memory Characteristics

**Table 2.80 Data flash characteristics (1)**

Parameter		Symbol	Min	Typ	Max	Unit	Test conditions
Reprogramming/erase cycle*1		N <sub>DPEC</sub>	100,000	1,000,000	-	Times	-
Data hold time	After 10000 times of N <sub>DPEC</sub>	t <sub>DDRP</sub>	20*2, *3	-	-	Year	Ta = +85°C
	After 100000 times of N <sub>DPEC</sub>		5*2, *3	-	-	Year	
	After 1000000 times of N <sub>DPEC</sub>		-	1*2, *3	-	-	Year

Note 1. The reprogram/erase cycle is the number of erasure for each block. When the reprogram/erase cycle is n times (n = 100,000), erasing can be performed n times for each block. For instance, when 1-byte programming is performed 1,000 times for different addresses in 1-byte blocks, and then the entire block is erased, the reprogram/erase cycle is counted as one. However, programming the same address for several times as one erasure is not enabled. (overwriting is prohibited).

Note 2. Characteristics when using the flash memory programmer and the self-programming library provided by Renesas Electronics.

Note 3. These results are obtained from reliability testing.

**Table 2.81 Data flash characteristics (2)**

High-speed operating mode

Conditions: VCC = AVCC0 = 2.7 to 5.5 V

Parameter		Symbol	FCLK = 4 MHz			FCLK = 32 MHz			Unit
			Min	Typ	Max	Min	Typ	Max	
Programming time	1-byte	t <sub>DP1</sub>	-	52.4	463	-	42.1	387	μs
Erase time	1-KB	t <sub>DE1K</sub>	-	8.98	286	-	6.42	237	ms
Blank check time	1-byte	t <sub>DBC1</sub>	-	-	24.3	-	-	16.6	μs
	1-KB	t <sub>DBC1K</sub>	-	-	1872	-	-	512	μs
Suspended time during erasing		t <sub>DSED</sub>	-	-	13.0	-	-	10.7	μs
Data flash STOP recovery time		t <sub>DSTOP</sub>	5	-	-	5	-	-	μs

Note 1. Does not include the time until each operation of the flash memory is started after instructions are executed by the software.

Note 2. The lower-limit frequency of FCLK is 1 MHz during programming or erasing the flash memory. When using FCLK at below 4 MHz, the frequency can be set to 1 MHz, 2 MHz, or 3 MHz. A non-integer frequency such as 1.5 MHz cannot be set.

Note 3. The frequency accuracy of FCLK must be ±3.5%. Confirm the frequency accuracy of the clock source.

**Table 2.82 Data flash characteristics (3)**

Middle-speed operating mode

Conditions: VCC = AVCC0 = 1.8 to 5.5 V, Ta = -40 to +85°C

Parameter	Symbol	FCLK = 4 MHz			FCLK = 8 MHz			Unit	
		Min	Typ	Max	Min	Typ	Max		
Programming time	1-byte	t <sub>DP1</sub>	-	94.7	886	-	89.3	849	μs
Erase time	1-KB	t <sub>DE1K</sub>	-	9.59	299	-	8.29	273	ms
Blank check time	1-byte	t <sub>DBC1</sub>	-	-	56.2	-	-	52.5	μs
	1-KB	t <sub>DBC1K</sub>	-	-	2.17	-	-	1.51	ms
Suspended time during erasing		t <sub>DSER</sub>	-	-	23.0	-	-	21.7	μs
Data flash STOP recovery time		t <sub>DSTOP</sub>	720	-	-	720	-	-	ns

Note 1. Does not include the time until each operation of the flash memory is started after instructions are executed by the software.

Note 2. The lower-limit frequency of FCLK is 1 MHz during programming or erasing the flash memory. When using FCLK at below 4 MHz, the frequency can be set to 1 MHz, 2 MHz, or 3 MHz. A non-integer frequency such as 1.5 MHz cannot be set.

Note 3. The frequency accuracy of FCLK must be ±3.5%. Confirm the frequency accuracy of the clock source.

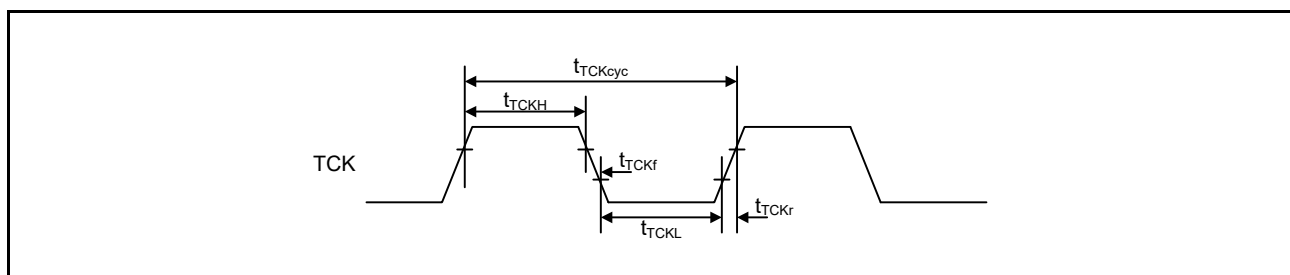
## 2.16 Boundary Scan

**Table 2.83 Boundary scan**

Conditions: VCC = AVCC0 = 2.4 to 5.5 V

Parameter	Symbol	Min	Typ	Max	Unit	Test conditions
TCK clock cycle time	t <sub>TCKcyc</sub>	100	-	-	ns	Figure 2.91
TCK clock high pulse width	t <sub>TCKH</sub>	45	-	-	ns	
TCK clock low pulse width	t <sub>TCKL</sub>	45	-	-	ns	
TCK clock rise time	t <sub>TCKr</sub>	-	-	5	ns	
TCK clock fall time	t <sub>TCKf</sub>	-	-	5	ns	
TMS setup time	t <sub>TMSS</sub>	20	-	-	ns	Figure 2.92
TMS hold time	t <sub>TMSH</sub>	20	-	-	ns	
TDI setup time	t <sub>TDIS</sub>	20	-	-	ns	
TDI hold time	t <sub>TDIH</sub>	20	-	-	ns	
TDO data delay	t <sub>TDOD</sub>	-	-	70	ns	Figure 2.93
Boundary Scan circuit start up time*1	t <sub>BSSTUP</sub>	t <sub>RESWP</sub>	-	-	-	

Note 1. Boundary scan does not function until Power-On-Reset becomes negative.

**Figure 2.91 Boundary scan TCK timing**

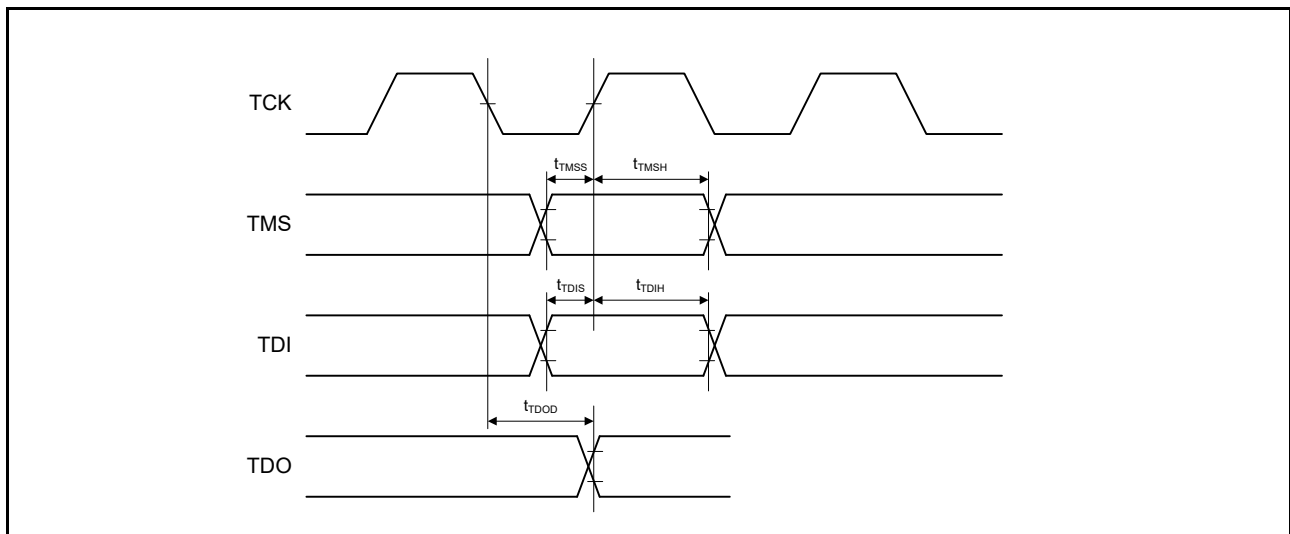


Figure 2.92 Boundary scan input/output timing

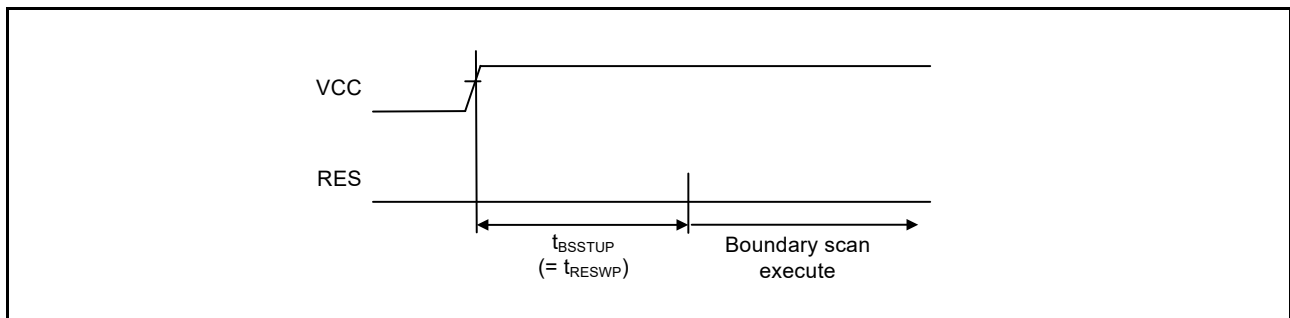


Figure 2.93 Boundary scan circuit start up timing

## 2.17 Joint Test Action Group (JTAG)

**Table 2.84 JTAG (Debug) characteristics (1)**

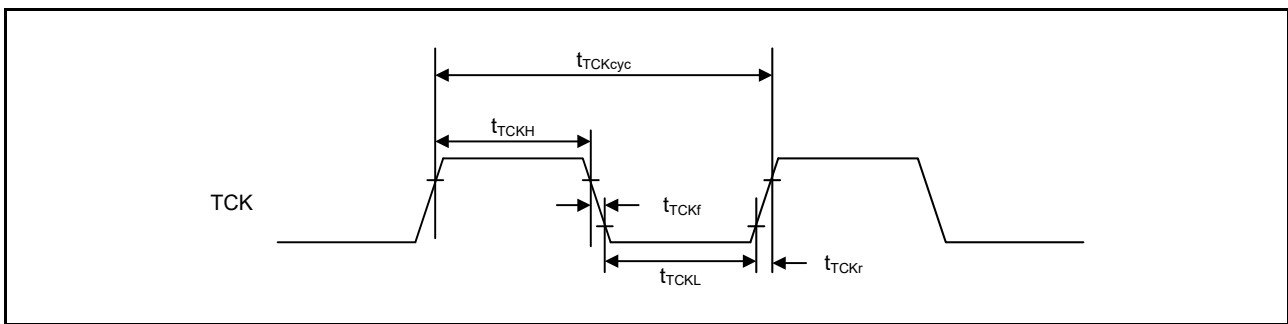
Conditions: VCC = AVCC0 = 2.4 to 5.5 V

Parameter	Symbol	Min	Typ	Max	Unit	Test conditions
TCK clock cycle time	$t_{TCKcyc}$	80	-	-	ns	Figure 2.94
TCK clock high pulse width	$t_{TCKH}$	35	-	-	ns	
TCK clock low pulse width	$t_{TCKL}$	35	-	-	ns	
TCK clock rise time	$t_{TCKr}$	-	-	5	ns	
TCK clock fall time	$t_{TCKf}$	-	-	5	ns	
TMS setup time	$t_{TMSS}$	16	-	-	ns	Figure 2.95
TMS hold time	$t_{TMSh}$	16	-	-	ns	
TDI setup time	$t_{TDIS}$	16	-	-	ns	
TDI hold time	$t_{TDIH}$	16	-	-	ns	
TDO data delay time	$t_{TDOD}$	-	-	70	ns	

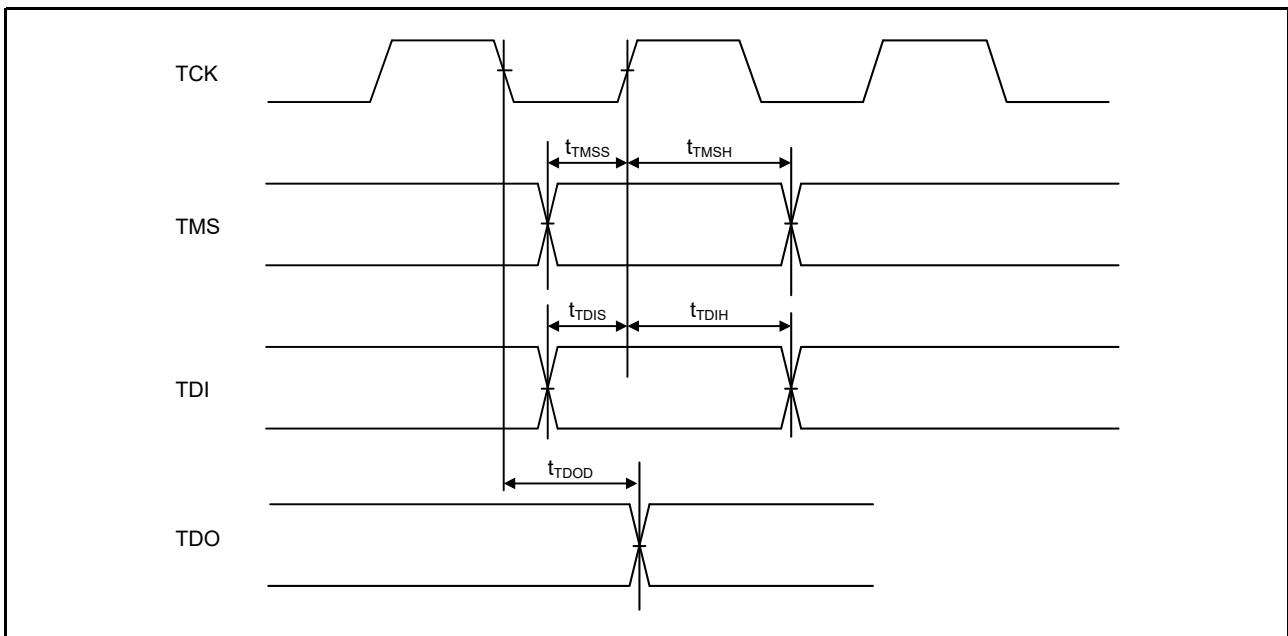
**Table 2.85 JTAG (Debug) characteristics (2)**

Conditions: VCC = AVCC0 = 1.6 to 2.4 V

Parameter	Symbol	Min	Typ	Max	Unit	Test conditions
TCK clock cycle time	$t_{TCKcyc}$	250	-	-	ns	Figure 2.94
TCK clock high pulse width	$t_{TCKH}$	120	-	-	ns	
TCK clock low pulse width	$t_{TCKL}$	120	-	-	ns	
TCK clock rise time	$t_{TCKr}$	-	-	5	ns	
TCK clock fall time	$t_{TCKf}$	-	-	5	ns	
TMS setup time	$t_{TMSS}$	50	-	-	ns	Figure 2.95
TMS hold time	$t_{TMSh}$	50	-	-	ns	
TDI setup time	$t_{TDis}$	50	-	-	ns	
TDI hold time	$t_{TDIH}$	50	-	-	ns	
TDO data delay time	$t_{TDOD}$	-	-	150	ns	



**Figure 2.94 JTAG TCK timing**



**Figure 2.95 JTAG input/output timing**

2.17.1 Serial Wire Debug (SWD)

**Table 2.86 SWD characteristics (1)**

Conditions: VCC = AVCC0 = 2.4 to 5.5 V

Parameter	Symbol	Min	Typ	Max	Unit	Test conditions
SWCLK clock cycle time	$t_{SWCKcyc}$	80	-	-	ns	Figure 2.96
SWCLK clock high pulse width	$t_{SWCKH}$	35	-	-	ns	
SWCLK clock low pulse width	$t_{SWCKL}$	35	-	-	ns	
SWCLK clock rise time	$t_{SWCKr}$	-	-	5	ns	
SWCLK clock fall time	$t_{SWCKf}$	-	-	5	ns	
SWDIO setup time	$t_{SWDS}$	16	-	-	ns	Figure 2.97
SWDIO hold time	$t_{SWDH}$	16	-	-	ns	
SWDIO data delay time	$t_{SWDD}$	2	-	70	ns	

**Table 2.87 SWD characteristics (2)**

Conditions: VCC = AVCC0 = 1.6 to 2.4 V

Parameter	Symbol	Min	Typ	Max	Unit	Test conditions
SWCLK clock cycle time	$t_{SWCKcyc}$	250	-	-	ns	Figure 2.96
SWCLK clock high pulse width	$t_{SWCKH}$	120	-	-	ns	
SWCLK clock low pulse width	$t_{SWCKL}$	120	-	-	ns	
SWCLK clock rise time	$t_{SWCKr}$	-	-	5	ns	
SWCLK clock fall time	$t_{SWCKf}$	-	-	5	ns	
SWDIO setup time	$t_{SWDS}$	50	-	-	ns	Figure 2.97
SWDIO hold time	$t_{SWDH}$	50	-	-	ns	
SWDIO data delay time	$t_{SWDD}$	2	-	150	ns	

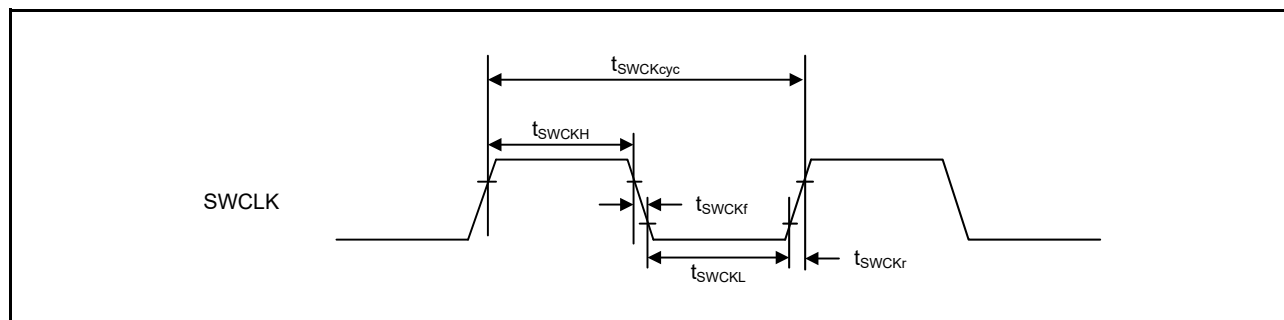


Figure 2.96 SWD SWCLK timing

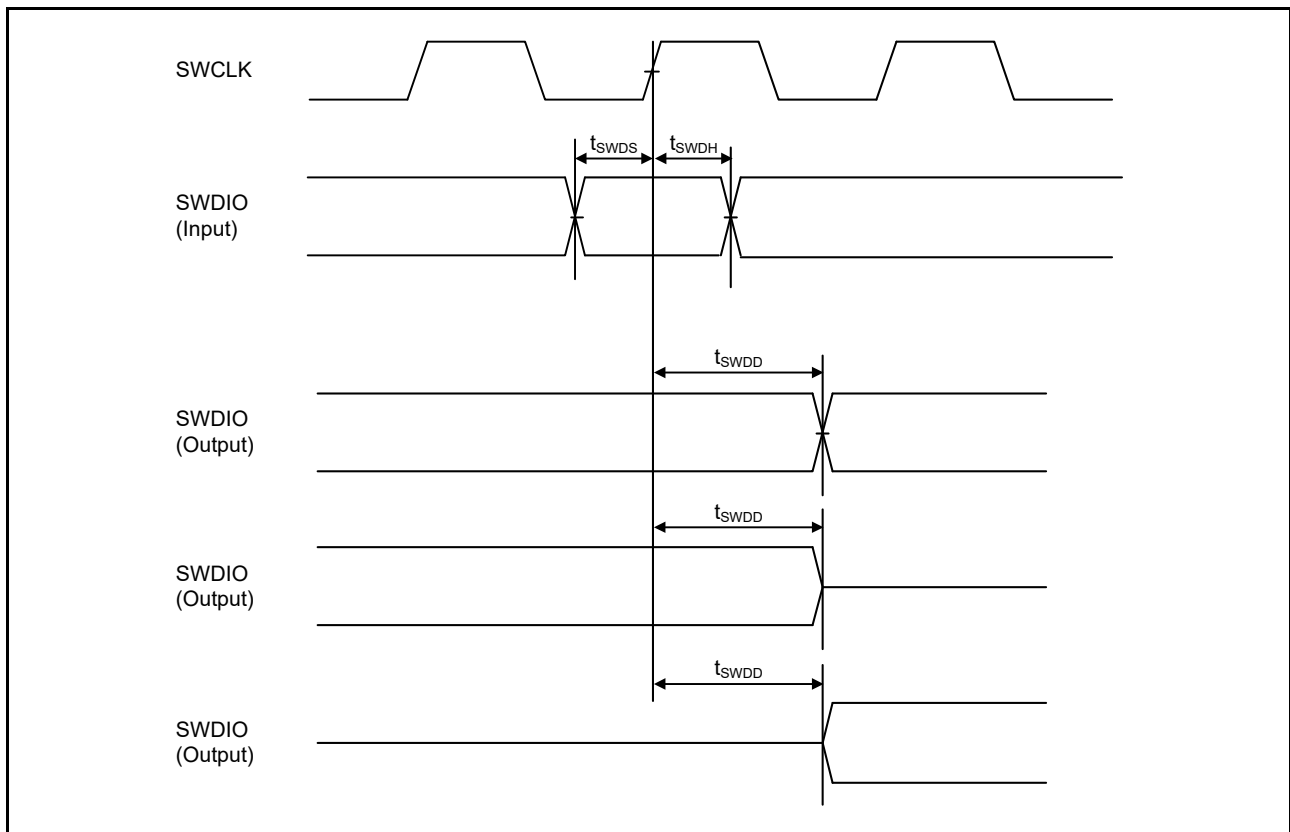


Figure 2.97 SWD input/output timing

## Appendix 1. Package Dimensions

Information on the latest version of the package dimensions or mountings is displayed in “Packages” on the Renesas Electronics Corporation website.

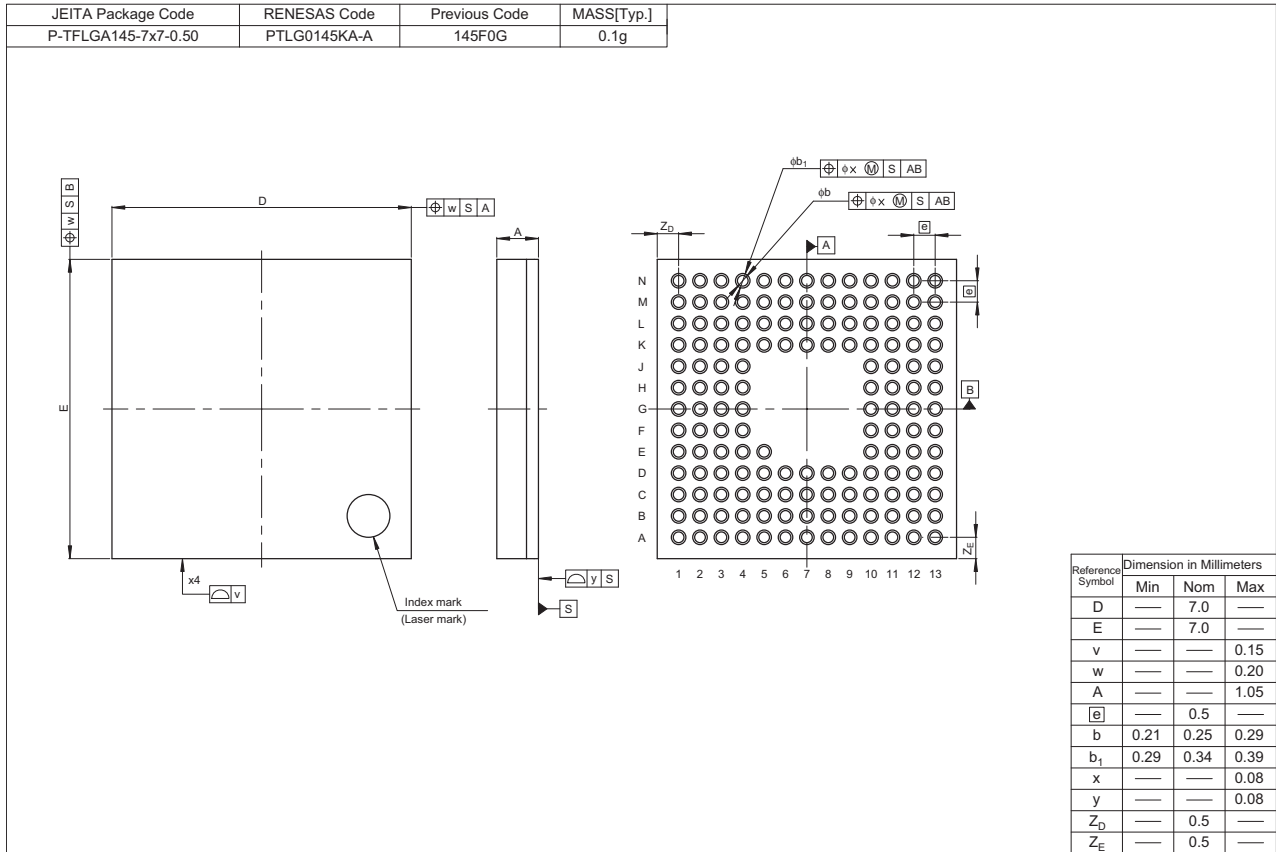
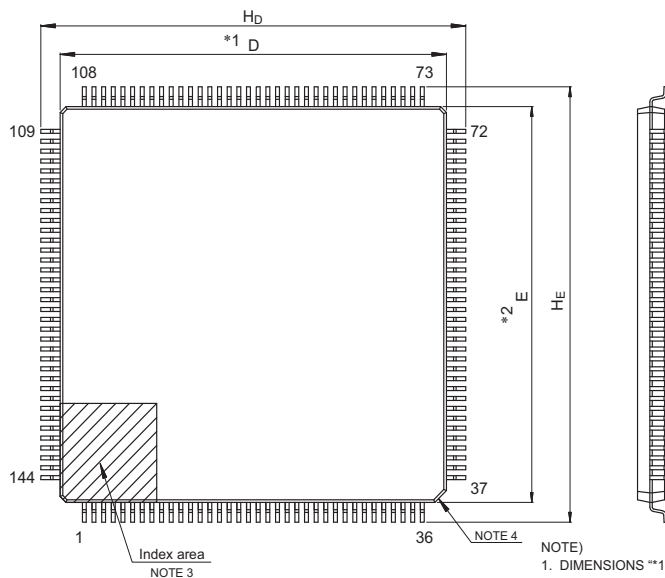


Figure 1.1 LGA 145-pin

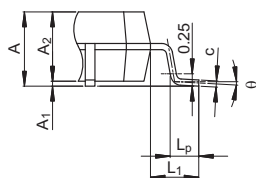
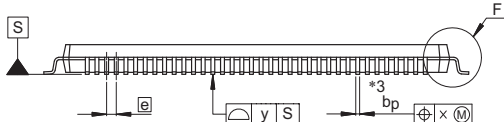


JEITA Package Code	RENESAS Code	Previous Code	MASS (Typ) [g]
P-LFQFP144-20x20-0.50	PLQP0144KA-B	—	1.2

Unit: mm



- NOTE)
1. DIMENSIONS \*\*1\* AND \*\*2\* DO NOT INCLUDE MOLD FLASH.
  2. DIMENSION \*\*3\* DOES NOT INCLUDE TRIM OFFSET.
  3. PIN 1 VISUAL INDEX FEATURE MAY VARY, BUT MUST BE LOCATED WITHIN THE HATCHED AREA.
  4. CHAMFERS AT CORNERS ARE OPTIONAL, SIZE MAY VARY.



Detail F

Reference Symbol	Dimensions in millimeters		
	Min	Nom	Max
D	19.9	20.0	20.1
E	19.9	20.0	20.1
A <sub>2</sub>	—	1.4	—
H <sub>D</sub>	21.8	22.0	22.2
H <sub>E</sub>	21.8	22.0	22.2
A	—	—	1.7
A <sub>1</sub>	0.05	—	0.15
b <sub>p</sub>	0.17	0.20	0.27
c	0.09	—	0.20
θ	0°	3.5°	8°
e	—	0.5	—
x	—	—	0.08
y	—	—	0.10
L <sub>p</sub>	0.45	0.6	0.75
L <sub>1</sub>	—	1.0	—

Figure 1.2 LQFP 144-pin

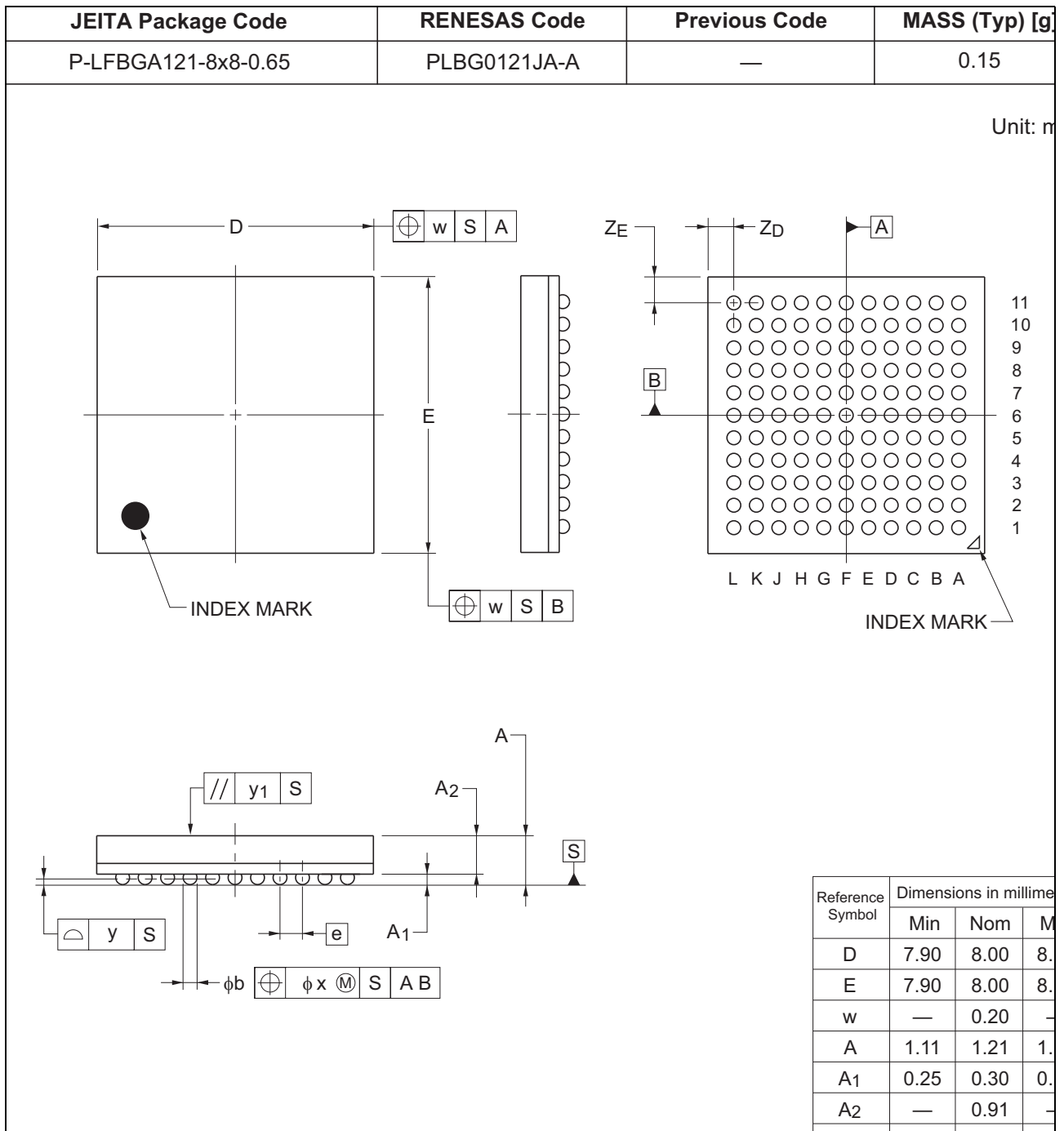


Figure 1.3 BGA 121-pin

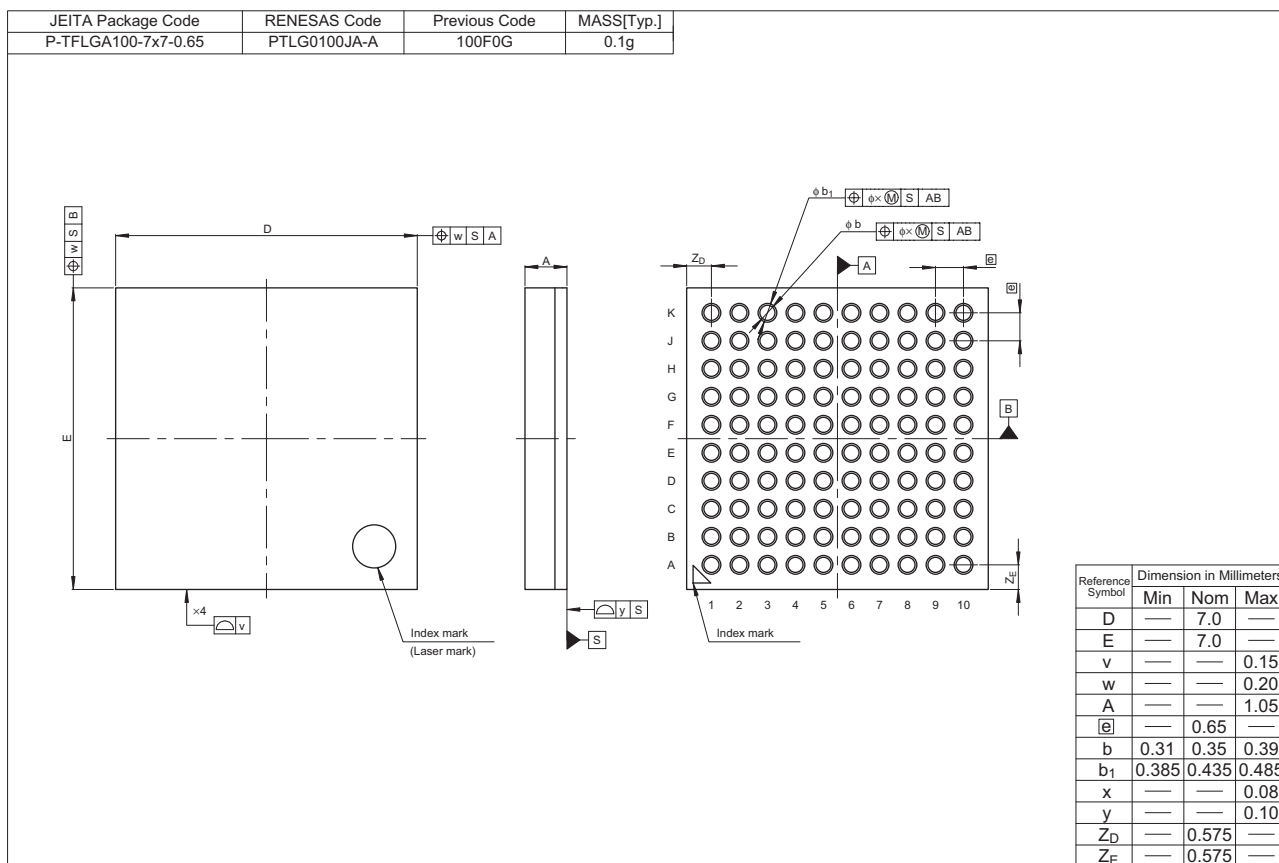
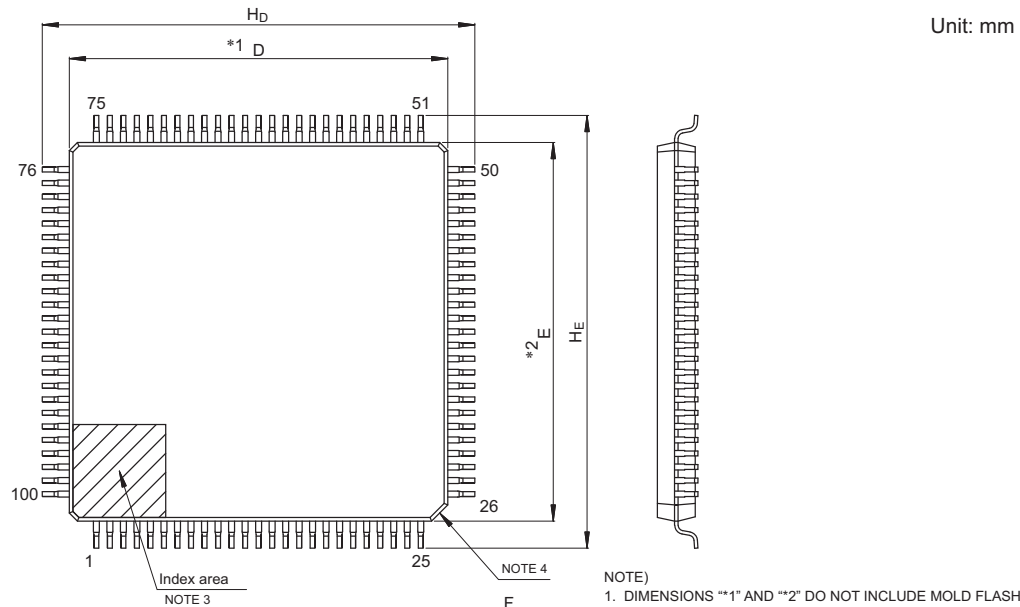


Figure 1.4 LGA 100-pin

JEITA Package Code	RENESAS Code	Previous Code	MASS (Typ) [g]
P-LFQFP100-14x14-0.50	PLQP0100KB-B	—	0.6



Unit: mm

- NOTE)
1. DIMENSIONS “\*1” AND “\*2” DO NOT INCLUDE MOLD FLASH.
  2. DIMENSION “\*3” DOES NOT INCLUDE TRIM OFFSET.
  3. PIN 1 VISUAL INDEX FEATURE MAY VARY, BUT MUST BE LOCATED WITHIN THE HATCHED AREA.
  4. CHAMFERS AT CORNERS ARE OPTIONAL, SIZE MAY VARY.

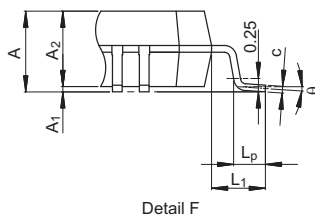
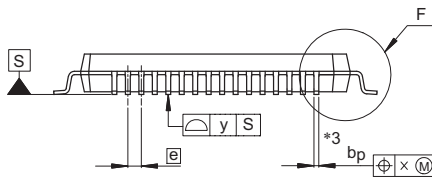
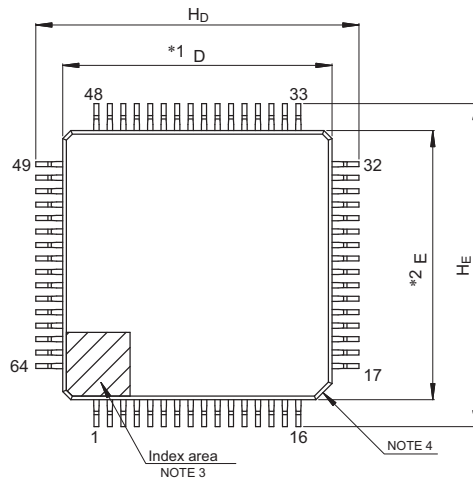
Reference Symbol	Dimensions in millimeters		
	Min	Nom	Max
D	13.9	14.0	14.1
E	13.9	14.0	14.1
A <sub>2</sub>	—	1.4	—
H <sub>D</sub>	15.8	16.0	16.2
H <sub>E</sub>	15.8	16.0	16.2
A	—	—	1.7
A <sub>1</sub>	0.05	—	0.15
b <sub>p</sub>	0.15	0.20	0.27
c	0.09	—	0.20
θ	0°	3.5°	8°
ⓔ	—	0.5	—
x	—	—	0.08
y	—	—	0.08
L <sub>p</sub>	0.45	0.6	0.75
L <sub>1</sub>	—	1.0	—

© 2015 Renesas Electronics Corporation. All rights reserved.

Figure 1.5 LQFP 100-pin

JEITA Package Code	RENESAS Code	Previous Code	MASS (Typ) [g]
P-LFQFP64-10x10-0.50	PLQP0064KB-C	—	0.3

Unit: mm



NOTE)

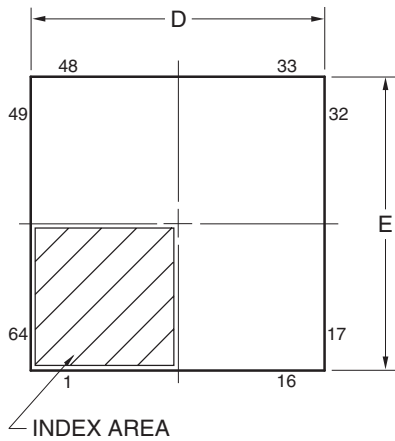
1. DIMENSIONS "\*1" AND "\*2" DO NOT INCLUDE MOLD FLASH.
2. DIMENSION "\*3" DOES NOT INCLUDE TRIM OFFSET.
3. PIN 1 VISUAL INDEX FEATURE MAY VARY, BUT MUST BE LOCATED WITHIN THE HATCHED AREA.
4. CHAMFERS AT CORNERS ARE OPTIONAL, SIZE MAY VARY.

Reference Symbol	Dimensions in millimeters		
	Min	Nom	Max
D	9.9	10.0	10.1
E	9.9	10.0	10.1
A <sub>2</sub>	—	1.4	—
H <sub>D</sub>	11.8	12.0	12.2
H <sub>E</sub>	11.8	12.0	12.2
A	—	—	1.7
A <sub>1</sub>	0.05	—	0.15
b <sub>p</sub>	0.15	0.20	0.27
c	0.09	—	0.20
θ	0°	3.5°	8°
e	—	0.5	—
x	—	—	0.08
y	—	—	0.08
L <sub>p</sub>	0.45	0.6	0.75
L <sub>1</sub>	—	1.0	—

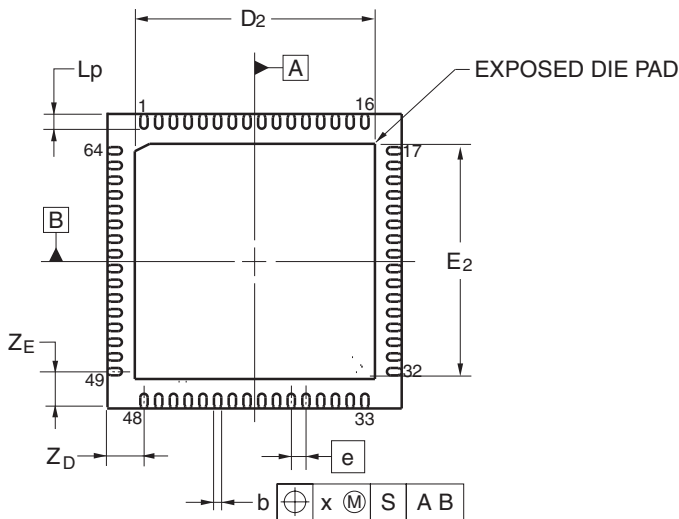
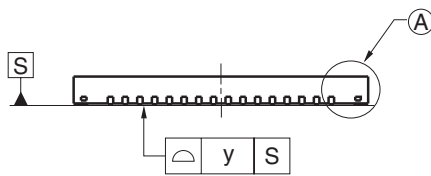
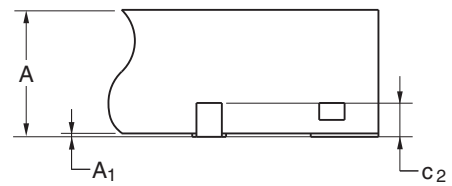
© 2015 Renesas Electronics Corporation. All rights reserved.

Figure 1.6 LQFP 64-pin

JEITA Package code	RENESAS code	Previous code	MASS(TYP.)[g]
P-HWQFN64-8x8-0.40	PWQN0064LA-A	P64K8-40-9B5-3	0.16



DETAIL OF (A) PART



Reference Symbol	Dimension in Millimeters		
	Min	Nom	Max
D	7.95	8.00	8.05
E	7.95	8.00	8.05
A	—	—	0.80
A <sub>1</sub>	0.00	—	—
b	0.17	0.20	0.23
e	—	0.40	—
L <sub>p</sub>	0.30	0.40	0.50
x	—	—	0.05
y	—	—	0.05
Z <sub>D</sub>	—	1.00	—
Z <sub>E</sub>	—	1.00	—
c <sub>2</sub>	0.15	0.20	0.25
D <sub>2</sub>	—	6.50	—
E <sub>2</sub>	—	6.50	—

©2013 Renesas Electronics Corporation. All rights reserved.

Figure 1.7 QFN 64-pin (1)

JEITA Package code	RENESAS code	MASS(TYP.)[g]
P-HWQFN064-8x8-0.40	PWQN0064LB-B	0.14

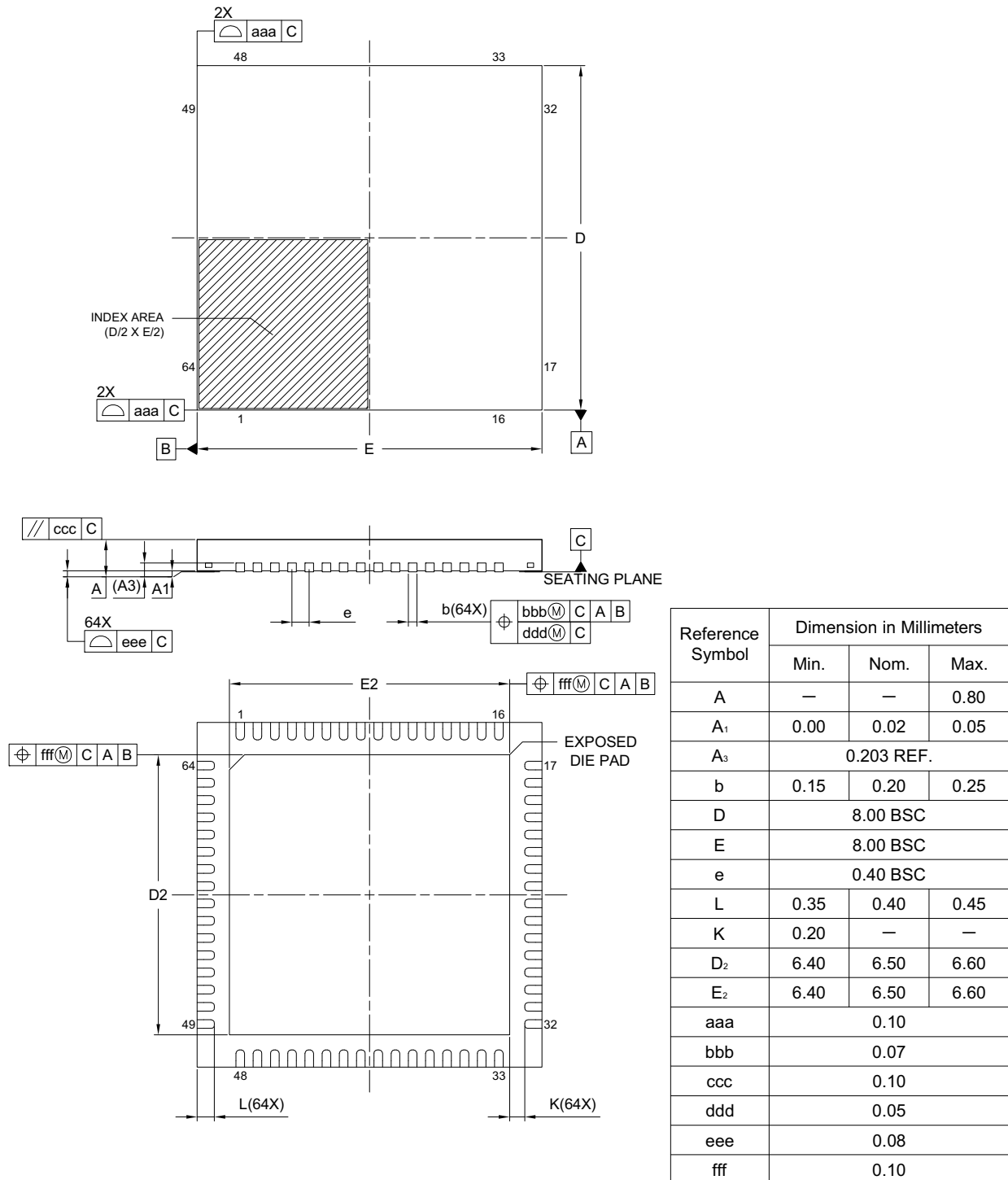


Figure 1.8 QFN 64-pin (2)

Revision History	S3A7 Microcontroller Group Datasheet
------------------	--------------------------------------

Rev.	Date	Summary
1.00	Feb 23, 2016	First release
1.30	Feb 7, 2018	Second release
1.40	Oct 29, 2018	Third release
1.50	Feb 28, 2025	Fourth release

## Website and Support

Visit the following vanity URLs to learn about key elements of the Synergy Platform, download components and related documentation, and get support.

Synergy Software	<a href="https://renesassynergy.com/software">renesassynergy.com/software</a>
Synergy Software Package	<a href="https://renesassynergy.com/sfp">renesassynergy.com/sfp</a>
Software add-ons	<a href="https://renesassynergy.com/addons">renesassynergy.com/addons</a>
Software glossary	<a href="https://renesassynergy.com/softwareglossary">renesassynergy.com/softwareglossary</a>
Development tools	<a href="https://renesassynergy.com/tools">renesassynergy.com/tools</a>
Synergy Hardware	<a href="https://renesassynergy.com/hardware">renesassynergy.com/hardware</a>
Microcontrollers	<a href="https://renesassynergy.com/mcus">renesassynergy.com/mcus</a>
MCU glossary	<a href="https://renesassynergy.com/mcuglossary">renesassynergy.com/mcuglossary</a>
Parametric search	<a href="https://renesassynergy.com/parametric">renesassynergy.com/parametric</a>
Kits	<a href="https://renesassynergy.com/kits">renesassynergy.com/kits</a>
Synergy Solutions Gallery	<a href="https://renesassynergy.com/solutionsgallery">renesassynergy.com/solutionsgallery</a>
Partner projects	<a href="https://renesassynergy.com/partnerprojects">renesassynergy.com/partnerprojects</a>
Application projects	<a href="https://renesassynergy.com/applicationprojects">renesassynergy.com/applicationprojects</a>
Self-service support resources:	
Documentation	<a href="https://renesassynergy.com/docs">renesassynergy.com/docs</a>
Knowledgebase	<a href="https://renesassynergy.com/knowledgebase">renesassynergy.com/knowledgebase</a>
Forums	<a href="https://renesassynergy.com/forum">renesassynergy.com/forum</a>
Training	<a href="https://renesassynergy.com/training">renesassynergy.com/training</a>
Videos	<a href="https://renesassynergy.com/videos">renesassynergy.com/videos</a>
Chat and web ticket	<a href="https://renesassynergy.com/support">renesassynergy.com/support</a>

## Proprietary Notice

All text, graphics, photographs, trademarks, logos, artwork and computer code, collectively known as content, contained in this document is owned, controlled or licensed by or to Renesas, and is protected by trade dress, copyright, patent and trademark laws, and other intellectual property rights and unfair competition laws. Except as expressly provided herein, no part of this document or content may be copied, reproduced, republished, posted, publicly displayed, encoded, translated, transmitted or distributed in any other medium for publication or distribution or for any commercial enterprise, without prior written consent from Renesas.

Arm® and Cortex® are registered trademarks of Arm Limited. CoreSight™ is a trademark of Arm Limited.

CoreMark® is a registered trademark of the Embedded Microprocessor Benchmark Consortium.

Magic Packet™ is a trademark of Advanced Micro Devices, Inc.

SuperFlash® is a registered trademark of Silicon Storage Technology, Inc. in several countries including the United States and Japan.

Other brands and names mentioned in this document may be the trademarks or registered trademarks of their respective holders.



## General Precautions

### 1. Precaution against Electrostatic Discharge (ESD)

A strong electrical field, when exposed to a CMOS device, can cause destruction of the gate oxide and ultimately degrade the device operation. Steps must be taken to stop the generation of static electricity as much as possible, and quickly dissipate it when it occurs. Environmental control must be adequate. When it is dry, a humidifier should be used. This is recommended to avoid using insulators that can easily build up static electricity. Semiconductor devices must be stored and transported in an anti-static container, static shielding bag or conductive material. All test and measurement tools including work benches and floors must be grounded. The operator must also be grounded using a wrist strap. Semiconductor devices must not be touched with bare hands. Similar precautions must be taken for printed circuit boards with mounted semiconductor devices.

### 2. Processing at power-on

The state of the product is undefined at the time when power is supplied. The states of internal circuits in the LSI are indeterminate and the states of register settings and pins are undefined at the time when power is supplied. In a finished product where the reset signal is applied to the external reset pin, the states of pins are not guaranteed from the time when power is supplied until the reset process is completed. In a similar way, the states of pins in a product that is reset by an on-chip power-on reset function are not guaranteed from the time when power is supplied until the power reaches the level at which resetting is specified.

### 3. Input of signal during power-off state

Do not input signals or an I/O pull-up power supply while the device is powered off. The current injection that results from input of such a signal or I/O pull-up power supply may cause malfunction and the abnormal current that passes in the device at this time may cause degradation of internal elements. Follow the guideline for input signal during power-off state as described in your product documentation.

### 4. Handling of unused pins

Handle unused pins in accordance with the directions given under handling of unused pins in the manual. The input pins of CMOS products are generally in the high-impedance state. In operation with an unused pin in the open-circuit state, extra electromagnetic noise is induced in the vicinity of the LSI, an associated shoot-through current flows internally, and malfunctions occur due to the false recognition of the pin state as an input signal become possible.

### 5. Clock signals

After applying a reset, only release the reset line after the operating clock signal becomes stable. When switching the clock signal during program execution, wait until the target clock signal is stabilized. When the clock signal is generated with an external resonator or from an external oscillator during a reset, ensure that the reset line is only released after full stabilization of the clock signal. Additionally, when switching to a clock signal produced with an external resonator or by an external oscillator while program execution is in progress, wait until the target clock signal is stable.

### 6. Voltage application waveform at input pin

Waveform distortion due to input noise or a reflected wave may cause malfunction. If the input of the CMOS device stays in the area between  $V_{IL}$  (Max.) and  $V_{IH}$  (Min.) due to noise, for example, the device may malfunction. Take care to prevent chattering noise from entering the device when the input level is fixed, and also in the transition period when the input level passes through the area between  $V_{IL}$  (Max.) and  $V_{IH}$  (Min.).

### 7. Prohibition of access to reserved addresses

Access to reserved addresses is prohibited. The reserved addresses are provided for possible future expansion of functions. Do not access these addresses as the correct operation of the LSI is not guaranteed.

### 8. Differences between products

Before changing from one product to another, for example to a product with a different part number, confirm that the change will not lead to problems. The characteristics of a microprocessing unit or microcontroller unit products in the same group but having a different part number might differ in terms of internal memory capacity, layout pattern, and other factors, which can affect the ranges of electrical characteristics, such as characteristic values, operating margins, immunity to noise, and amount of radiated noise. When changing to a product with a different part number, implement a system-evaluation test for the given product.

## Notice

1. Descriptions of circuits, software and other related information in this document are provided only to illustrate the operation of semiconductor products and application examples. You are fully responsible for the incorporation or any other use of the circuits, software, and information in the design of your product or system. Renesas Electronics disclaims any and all liability for any losses and damages incurred by you or third parties arising from the use of these circuits, software, or information.
2. Renesas Electronics hereby expressly disclaims any warranties against and liability for infringement or any other claims involving patents, copyrights, or other intellectual property rights of third parties, by or arising from the use of Renesas Electronics products or technical information described in this document, including but not limited to, the product data, drawings, charts, programs, algorithms, and application examples.
3. No license, express, implied or otherwise, is granted hereby under any patents, copyrights or other intellectual property rights of Renesas Electronics or others.
4. You shall be responsible for determining what licenses are required from any third parties, and obtaining such licenses for the lawful import, export, manufacture, sales, utilization, distribution or other disposal of any products incorporating Renesas Electronics products, if required.
5. You shall not alter, modify, copy, or reverse engineer any Renesas Electronics product, whether in whole or in part. Renesas Electronics disclaims any and all liability for any losses or damages incurred by you or third parties arising from such alteration, modification, copying or reverse engineering.
6. Renesas Electronics products are classified according to the following two quality grades: "Standard" and "High Quality". The intended applications for each Renesas Electronics product depends on the product's quality grade, as indicated below.

"Standard": Computers; office equipment; communications equipment; test and measurement equipment; audio and visual equipment; home electronic appliances; machine tools; personal electronic equipment; industrial robots; etc.

"High Quality": Transportation equipment (automobiles, trains, ships, etc.); traffic control (traffic lights); large-scale communication equipment; key financial terminal systems; safety control equipment; etc.

Unless expressly designated as a high reliability product or a product for harsh environments in a Renesas Electronics data sheet or other Renesas Electronics document, Renesas Electronics products are not intended or authorized for use in products or systems that may pose a direct threat to human life or bodily injury (artificial life support devices or systems; surgical implantations; etc.), or may cause serious property damage (space system; undersea repeaters; nuclear power control systems; aircraft control systems; key plant systems; military equipment; etc.). Renesas Electronics disclaims any and all liability for any damages or losses incurred by you or any third parties arising from the use of any Renesas Electronics product that is inconsistent with any Renesas Electronics data sheet, user's manual or other Renesas Electronics document.

7. No semiconductor product is absolutely secure. Notwithstanding any security measures or features that may be implemented in Renesas Electronics hardware or software products, Renesas Electronics shall have absolutely no liability arising out of any vulnerability or security breach, including but not limited to any unauthorized access to or use of a Renesas Electronics product or a system that uses a Renesas Electronics product. RENESAS ELECTRONICS DOES NOT WARRANT OR GUARANTEE THAT RENESAS ELECTRONICS PRODUCTS, OR ANY SYSTEMS CREATED USING RENESAS ELECTRONICS PRODUCTS WILL BE INVULNERABLE OR FREE FROM CORRUPTION, ATTACK, VIRUSES, INTERFERENCE, HACKING, DATA LOSS OR THEFT, OR OTHER SECURITY INTRUSION ("Vulnerability Issues"). RENESAS ELECTRONICS DISCLAIMS ANY AND ALL RESPONSIBILITY OR LIABILITY ARISING FROM OR RELATED TO ANY VULNERABILITY ISSUES. FURTHERMORE, TO THE EXTENT PERMITTED BY APPLICABLE LAW, RENESAS ELECTRONICS DISCLAIMS ANY AND ALL WARRANTIES, EXPRESS OR IMPLIED, WITH RESPECT TO THIS DOCUMENT AND ANY RELATED OR ACCOMPANYING SOFTWARE OR HARDWARE, INCLUDING BUT NOT LIMITED TO THE IMPLIED WARRANTIES OF MERCHANTABILITY, OR FITNESS FOR A PARTICULAR PURPOSE.
8. When using Renesas Electronics products, refer to the latest product information (data sheets, user's manuals, application notes, "General Notes for Handling and Using Semiconductor Devices" in the reliability handbook, etc.), and ensure that usage conditions are within the ranges specified by Renesas Electronics with respect to maximum ratings, operating power supply voltage range, heat dissipation characteristics, installation, etc. Renesas Electronics disclaims any and all liability for any malfunctions, failure or accident arising out of the use of Renesas Electronics products outside of such specified ranges.
9. Although Renesas Electronics endeavors to improve the quality and reliability of Renesas Electronics products, semiconductor products have specific characteristics, such as the occurrence of failure at a certain rate and malfunctions under certain use conditions. Unless designated as a high reliability product or a product for harsh environments in a Renesas Electronics data sheet or other Renesas Electronics document, Renesas Electronics products are not subject to radiation resistance design. You are responsible for implementing safety measures to guard against the possibility of bodily injury, injury or damage caused by fire, and/or danger to the public in the event of a failure or malfunction of Renesas Electronics products, such as safety design for hardware and software, including but not limited to redundancy, fire control and malfunction prevention, appropriate treatment for aging degradation or any other appropriate measures. Because the evaluation of microcomputer software alone is very difficult and impractical, you are responsible for evaluating the safety of the final products or systems manufactured by you.
10. Please contact a Renesas Electronics sales office for details as to environmental matters such as the environmental compatibility of each Renesas Electronics product. You are responsible for carefully and sufficiently investigating applicable laws and regulations that regulate the inclusion or use of controlled substances, including without limitation, the EU RoHS Directive, and using Renesas Electronics products in compliance with all these applicable laws and regulations. Renesas Electronics disclaims any and all liability for damages or losses occurring as a result of your noncompliance with applicable laws and regulations.
11. Renesas Electronics products and technologies shall not be used for or incorporated into any products or systems whose manufacture, use, or sale is prohibited under any applicable domestic or foreign laws or regulations. You shall comply with any applicable export control laws and regulations promulgated and administered by the governments of any countries asserting jurisdiction over the parties or transactions.
12. It is the responsibility of the buyer or distributor of Renesas Electronics products, or any other party who distributes, disposes of, or otherwise sells or transfers the product to a third party, to notify such third party in advance of the contents and conditions set forth in this document.
13. This document shall not be reprinted, reproduced or duplicated in any form, in whole or in part, without prior written consent of Renesas Electronics.
14. Please contact a Renesas Electronics sales office if you have any questions regarding the information contained in this document or Renesas Electronics products.

(Note1) "Renesas Electronics" as used in this document means Renesas Electronics Corporation and also includes its directly or indirectly controlled subsidiaries.

(Note2) "Renesas Electronics product(s)" means any product developed or manufactured by or for Renesas Electronics.

(Rev.5.0-1 October 2020)

## Corporate Headquarters

TOYOSU FORESIA, 3-2-24 Toyosu,  
Koto-ku, Tokyo 135-0061, Japan  
[www.renesas.com](http://www.renesas.com)

## Trademarks

Renesas and the Renesas logo are trademarks of Renesas Electronics Corporation. All trademarks and registered trademarks are the property of their respective owners.

## Contact Information

For further information on a product, technology, the most up-to-date version of a document, or your nearest sales office, please visit:  
[www.renesas.com/contact/](http://www.renesas.com/contact/)