

SLG46857-A

Auto AEC-Q100 Qualified GreenPAK Programmable Mixed-Signal Matrix

The SLG46857-A provides a small, low power component for commonly used Mixed-Signal functions. The user creates their circuit design by programming the one time programmable (OTP) Non-Volatile Memory (NVM) to configure the interconnect logic, the IO Pins, and the macrocells of the SLG46857-A.

This highly versatile device allows a wide variety of Mixed-Signal functions to be designed within a very small, low power single integrated circuit.

Features

- Two High Speed General Purpose Analog Comparators (ACMPxH)
- Two Low Power General Purpose Analog Comparators (ACMPxL)
- Two Voltage References (Vref)
 - Two Vref Outputs
- Fifteen Combination Function Macrocells
 - Three Selectable DFF/LATCH or 2-bit LUTs
 - One Selectable Programmable Pattern Generator or 2-bit LUT
 - Nine Selectable DFF/LATCH or 3-bit LUTs
 - One Selectable Pipe Delay or Ripple Counter, or 3-bit LUT
 - One Selectable DFF/LATCH or 4-bit LUTs
- Eight Multi-Function Macrocells
 - Seven Selectable DFF/LATCH or 3-bit LUTs + 8-bit Delay/Counters
 - One Selectable DFF/LATCH or 4-bit LUT + 16-bit Delay/Counter
- Serial Communications
 - I²C Protocol Interface
- Programmable Delay with Edge Detector Output
- Deglitch Filter or Edge Detector
- Three Oscillators (OSC)
 - 2.048 kHz Oscillator
 - 2.048 MHz Oscillator
 - 25 MHz Oscillator
- Analog Temperature Sensor
- Power-On Reset (POR)
- Read Back Protection (Read Lock)
- Power Supply
 - 2.5 V ($\pm 8\%$) to 5.0 V ($\pm 10\%$)
- Ambient Operating Temperature Range: -40 °C to 125 °C
- RoHS Compliant/Halogen-Free
- Available Package
 - 14-pin STQFN: 3.0 mm x 3.1 mm x 0.75 mm, 0.65 mm pitch
- AEC-Q100 ($T_A = -40\text{ °C to }+125\text{ °C}$) Qualified

Applications

- Infotainment
- E/E Architecture
- Powertrain
- xEV
- Chassis/Body

Contents

Features	1
Applications	1
1. Block Diagram	10
2. Pin Information	11
2.1 Pin Assignments	11
2.2 Pin Descriptions	11
3. Specifications	15
3.1 Absolute Maximum Ratings	15
3.2 Electrostatic Discharge Ratings	15
3.3 Recommended Operating Conditions	16
3.4 Electrical Specifications	16
3.5 I ² C Pins Electrical Specifications	21
3.6 Macrocells Current Consumption	24
3.7 Timing Specifications	25
3.8 Counter/Delay Specifications	29
3.9 Oscillator Specifications	30
3.9.1 OSC Power-On Delay	30
3.10 ACMP Specifications	30
3.11 Analog Temperature Sensor Specifications	34
4. User Programmability	36
5. Input/Output Pins	37
5.1 GPIO Pins	37
5.2 GPI Pins	37
5.3 GPO Pins	37
5.4 Pull-Up/Down Resistors	37
5.5 Fast Pull-Up/Down During Power-Up	37
5.6 GPI Structure	38
5.6.1 GPI Structure (for GPIO)	38
5.7 GPIO with I ² C Mode IO Structure	39
5.7.1 GPIO with I ² C Mode Structure (for GPIO0 and GPIO1)	39
5.8 Matrix OE IO Structure	40
5.8.1 Matrix OE IO Structure (for GPIO2, GPIO3, GPIO5, GPIO6, GPIO7, GPIO8, and GPIO9)	40
5.8.2 Matrix OE 4x Drive Structure (for GPIO4)	41
5.9 GPO Structure	42
5.9.1 GPO Register OE Structure (for GPO0)	42
5.10 IO Typical Performance	43
6. Connection Matrix	48
6.1 Matrix Input Table	49
6.2 Matrix Output Table	51
6.3 Connection Matrix Virtual Inputs	54
6.4 Connection Matrix Virtual Outputs	55
7. Combination Function Macrocells	56
7.1 2-Bit LUT or D Flip-Flop Macrocells	56
7.1.1 2-Bit LUT or D Flip-Flop Macrocell Used as 2-Bit LUT	58

7.1.2	Initial Polarity Operations	59
7.2	2-bit LUT or Programmable Pattern Generator	59
7.2.1	2-Bit LUT or PGen Macrocell Used as 2-Bit LUT	60
7.3	3-Bit LUT or D Flip-Flop with Set/Reset Macrocells	61
7.3.1	3-Bit LUT or D Flip-Flop Macrocells Used as 3-Bit LUTs	66
7.3.2	Initial Polarity Operations	68
7.4	4-Bit LUT or D Flip-Flop with Set/Reset Macrocell	69
7.4.1	4-Bit LUT Macrocell Used as 4-Bit LUT	71
7.5	3-bit LUT or Pipe Delay/Ripple Counter Macrocell	71
7.5.1	3-bit LUT or Pipe Delay Macrocells Used as 3-bit LUT	74
8.	Multi-Function Macrocells	75
8.1	3-Bit LUT or DFF/LATCH with 8-Bit Counter/Delay Macrocells	75
8.1.1	3-Bit LUT or 8-Bit CNT/DLY Block Diagrams	76
8.1.2	3-bit LUT or CNT/DLYs Used as 3-bit LUTs	80
8.2	4-bit LUT or DFF/LATCH with 16-bit Counter/Delay Macrocell	81
8.2.1	4-bit LUT or DFF/LATCH with 16-bit CNT/DLY Block Diagram	82
8.2.2	4-bit LUT or 16-bit Counter/Delay Macrocells Used as 4-bit LUTs	83
8.3	CNT/DLY/FSM Timing Diagrams	84
8.3.1	Delay Mode CNT/DLY0 to CNT/DLY7	84
8.3.2	Count Mode (Count Data: 3), Counter Reset (Rising Edge Detect) CNT/DLY0 to CNT/DLY7	85
8.3.3	One-Shot Mode CNT/DLY0 to CNT/DLY7	85
8.3.4	Frequency Detection Mode CNT/DLY0 to CNT/DLY7	86
8.3.5	Edge Detection Mode CNT/DLY1 to CNT/DLY7	86
8.3.6	Delayed Edge Detection Mode CNT/DLY0 to CNT/DLY7	87
8.3.7	CNT/FSM Mode CNT/DLY0	87
8.3.8	Difference in Counter Value for Counter, Delay, One-Shot, and Frequency Detect Modes	89
8.4	Wake and Sleep Controller	90
9.	Analog Comparators	94
9.1	ACMP0H Block Diagram	95
9.2	ACMP1H Block Diagram	95
9.3	ACMP2L Block Diagram	96
9.4	ACMP3L Block Diagram	96
9.5	ACMP Typical Performance	97
10.	Programmable Delay/Edge Detector	100
10.1	Programmable Delay Timing Diagram - Edge Detector Output	100
11.	Additional Logic Function. Deglitch Filter	101
12.	Voltage Reference	102
12.1	Voltage Reference Overview	102
12.2	Vref Selection Table	102
12.3	Vref Block Diagram	103
12.4	Vref Load Regulation	104
13.	Clocking	106
13.1	OSC General Description	106
13.2	Oscillator0 (2.048 kHz)	107
13.3	Oscillator1 (2.048 MHz)	107
13.4	Oscillator2 (25 MHz)	108
13.5	CNT/DLY Clock Scheme	108

13.6	External Clocking	109
13.6.1	GPIO Source for Oscillator0 (2.048 kHz)	109
13.6.2	GPIO2 Source for Oscillator1 (2.048 MHz)	109
13.6.3	GPIO8 Source for Oscillator2 (25 MHz)	109
13.7	Oscillators Power-On Delay	110
13.8	Oscillators Accuracy	112
13.9	Oscillators Settling Time	114
14.	Power-On Reset	116
14.1	General Operation	116
14.2	POR Sequence	117
14.3	Macrocells Output States during POR Sequence	117
14.3.1	Initialization	118
14.3.2	Power-Down	119
15.	I²C Serial Communications Macrocell	120
15.1	I ² C Serial Communications Macrocell Overview	120
15.2	I ² C Serial Communications Device Addressing	120
15.3	I ² C Serial Communications General Timing	121
15.4	I ² C Serial Communications Commands	121
15.4.1	Byte Write Command	121
15.4.2	Sequential Write Command	122
15.4.3	Current Address Read Command	122
15.4.4	Random Read Command	122
15.4.5	Sequential Read Command	123
15.4.6	I ² C Serial Reset Command	123
15.5	I ² C Serial Command Register Map	124
15.6	I ² C Additional Options	125
15.6.1	Reading Counter Data via I ² C	126
15.6.2	I ² C Expander	126
15.6.3	I ² C Byte Write Bit Masking	126
16.	Analog Temperature Sensor	127
17.	Register Definitions	129
17.1	Register Map	129
18.	Package Top Marking Definitions	211
18.1	STQFN 14L 3.0 mm x 3.1 mm 0.65P FCD	211
19.	Package Information	212
19.1	Package Outlines for STQFN 14L 3.0 mm x 3.1 mm x 0.75 mm 0.65P FC Package	212
19.2	STQFN Handling	213
19.3	Soldering Information	213
20.	Layout Guidelines	214
20.1	STQFN 14L 3.0 mm x 3.1 mm x 0.75 mm 0.65P FC Green Package	214
21.	Ordering Information	215
21.1	Tape and Reel Specifications	215
21.2	Carrier Tape Drawing and Dimensions	215
	Glossary	216
	Revision History	219

Figures

Figure 1. Block Diagram	10
Figure 2. Pin Assignments - STQFN - 14L	11
Figure 3. Steps to Create a Custom GreenPAK Device	36
Figure 4. IO0 GPI Structure Diagram	38
Figure 5. GPIO with I ² C Mode IO Structure Diagram	39
Figure 6. Matrix OE IO Structure Diagram	40
Figure 7. Matrix OE IO 4x Drive Structure Diagram	41
Figure 8. GPO Register OE 4x Drive Structure Diagram	42
Figure 9. Typical High Level Output Current vs. High Level Output Voltage at T _A = 25 °C	43
Figure 10. Typical Low Level Output Current vs. Low Level Output Voltage, 1x Drive at T _A = 25 °C, Full Range	43
Figure 11. Typical Low Level Output Current vs. Low Level Output Voltage, 1x Drive at T _A = 25 °C	44
Figure 12. Typical Low Level Output Current vs. Low Level Output Voltage, 2x Drive at T _A = 25 °C, Full Range	44
Figure 13. Typical Low Level Output Current vs. Low Level Output Voltage, 2x Drive at T _A = 25 °C	45
Figure 14. Typical Low Level Output Current vs. Low Level Output Voltage, 3.2x Drive at T _A = 25 °C, Full Range	45
Figure 15. Typical Low Level Output Current vs. Low Level Output Voltage, 3.2x Drive at T _A = 25 °C	46
Figure 16. Typical Low Level Output Current vs. Low Level Output Voltage, 4x Drive at T _A = 25 °C, Full Range	46
Figure 17. Typical Low Level Output Current vs. Low Level Output Voltage, 4x Drive at T _A = 25 °C	47
Figure 18. Connection Matrix	48
Figure 19. Connection Matrix Example	48
Figure 20. 2-bit LUT0 or DFF0	56
Figure 21. 2-bit LUT1 or DFF1	57
Figure 22. 2-bit LUT2 or DFF2	57
Figure 23. DFF Polarity Operations	59
Figure 24. 2-bit LUT3 or PGen	60
Figure 25. PGen Timing Diagram	60
Figure 26. 3-bit LUT0 or DFF3	61
Figure 27. 3-bit LUT1 or DFF4	62
Figure 28. 3-bit LUT2 or DFF5	62
Figure 29. 3-bit LUT3 or DFF6	63
Figure 30. 3-bit LUT4 or DFF7	63
Figure 31. 3-bit LUT5 or DFF8	64
Figure 32. 3-bit LUT6 or DFF9	64
Figure 33. 3-bit LUT7 or DFF10	65
Figure 34. 3-bit LUT8 or DFF11	65
Figure 35. DFF Polarity Operations with nReset	68
Figure 36. DFF Polarity Operations with nSet	69
Figure 37. 4-bit LUT0 or DFF12	70
Figure 38. 3-bit LUT16/Pipe Delay/Ripple Counter	73
Figure 39. Example: Ripple Counter Functionality	74
Figure 40. Possible Connections inside Multi-Function Macrocell	75
Figure 41. 8-bit Multi-Function Macrocells Block Diagram (3-bit LUT9/DFF13, CNT/DLY1)	76
Figure 42. 8-bit Multi-Function Macrocells Block Diagram (3-bit LUT10/DFF14, CNT/DLY2)	76
Figure 43. 8-bit Multi-Function Macrocells Block Diagram (3-bit LUT11/DFF15, CNT/DLY3)	77
Figure 44. 8-bit Multi-Function Macrocells Block Diagram (3-bit LUT12/DFF16, CNT/DLY4)	77
Figure 45. 8-bit Multi-Function Macrocells Block Diagram (3-bit LUT13/DFF17, CNT/DLY5)	78
Figure 46. 8-bit Multi-Function Macrocells Block Diagram (3-bit LUT14/DFF18, CNT/DLY6)	78
Figure 47. 8-bit Multi-Function Macrocells Block Diagram (3-bit LUT15/DFF19, CNT/DLY7)	79
Figure 48. 4-bit LUT1 or CNT/DLY0	82
Figure 49. Delay Mode Timing Diagram, Edge Select: Both, Counter Data: 3	84
Figure 50. Delay Mode Timing Diagram for Different Edge Select Mode	84
Figure 51. Counter Mode Timing Diagram without Two DFFs Synced Up	85

Figure 52. Counter Mode Timing Diagram with Two DFFs Synced Up	85
Figure 53. One-Shot Function Timing Diagram	85
Figure 54. Frequency Detection Mode Timing Diagram	86
Figure 55. Edge Detection Mode Timing Diagram	86
Figure 56. Delayed Edge Detection Mode Timing Diagram	87
Figure 57. CNT/FSM Timing Diagram (Reset Rising Edge Mode, Oscillator is Forced On, UP = 0)	87
Figure 58. CNT/FSM Timing Diagram (Set Rising Edge Mode, Oscillator is Forced On, UP = 0)	88
Figure 59. CNT/FSM Timing Diagram (Reset Rising Edge Mode, Oscillator is Forced On, UP = 1)	88
Figure 60. CNT/FSM Timing Diagram (Set Rising Edge Mode, Oscillator Is Forced On, UP = 1)	89
Figure 61. Counter Value, Counter Data = 3	89
Figure 62. Wake/Sleep Controller	90
Figure 63. Wake/Sleep Timing Diagram, Normal Wake Mode, Counter Reset is Used	91
Figure 64. Wake/Sleep Timing Diagram, Short Wake Mode, Counter Reset is Used	91
Figure 65. Wake/Sleep Timing Diagram, Normal Wake Mode, Counter Set is Used	92
Figure 66. Wake/Sleep Timing Diagram, Short Wake Mode, Counter Set is Used	92
Figure 67. ACMP0H Block Diagram	95
Figure 68. ACMP1H Block Diagram	95
Figure 69. ACMP2L Block Diagram	96
Figure 70. ACMP3L Block Diagram	96
Figure 71. Typical Propagation Delay vs. Vref for ACMPxH at $T_A = 25\text{ }^\circ\text{C}$, Gain = 1, Hysteresis = 0	97
Figure 72. Typical Propagation Delay vs. Vref for ACMPxL at $T_A = 25\text{ }^\circ\text{C}$, Gain = 1, Hysteresis = 0	97
Figure 73. ACMPxH Power-On Delay vs. V_{DD}	98
Figure 74. ACMPxL Power-On Delay vs. V_{DD}	98
Figure 75. ACMPxH Input Offset Voltage vs. Vref at $T_A = -40\text{ }^\circ\text{C}$ to $125\text{ }^\circ\text{C}$	99
Figure 76. ACMPxH Input Offset Voltage vs. Vref at $T_A = -40\text{ }^\circ\text{C}$ to $125\text{ }^\circ\text{C}$, Input Buffer Enabled	99
Figure 77. Programmable Delay	100
Figure 78. Edge Detector Output	100
Figure 79. Deglitch Filter/Edge Detector	101
Figure 80. Voltage Reference Block Diagram	103
Figure 81. Typical Load Regulation, Vref = 320 mV, $T_A = -40\text{ }^\circ\text{C}$ to $+125\text{ }^\circ\text{C}$, Buffer - Enabled	104
Figure 82. Typical Load Regulation, Vref = 640 mV, $T_A = -40\text{ }^\circ\text{C}$ to $+125\text{ }^\circ\text{C}$, Buffer - Enabled	104
Figure 83. Typical Load Regulation, Vref = 1280 mV, $T_A = -40\text{ }^\circ\text{C}$ to $+125\text{ }^\circ\text{C}$, Buffer - Enabled	105
Figure 84. Typical Load Regulation, Vref = 2016 mV, $T_A = -40\text{ }^\circ\text{C}$ to $+125\text{ }^\circ\text{C}$, Buffer - Enabled	105
Figure 85. Oscillator0 Block Diagram	107
Figure 86. Oscillator1 Block Diagram	107
Figure 87. Oscillator2 Block Diagram	108
Figure 88. Clock Scheme	109
Figure 89. Oscillator Startup Diagram	110
Figure 90. Oscillator0 Maximum Power-On Delay vs. V_{DD} at $T_A = 25\text{ }^\circ\text{C}$, OSC0 = 2.048 kHz	110
Figure 91. Oscillator1 Maximum Power-On Delay vs. V_{DD} at $T_A = 25\text{ }^\circ\text{C}$, OSC1 = 2.048 MHz	111
Figure 92. Oscillator1 Maximum Power-On Delay vs. V_{DD} at $T_A = 25\text{ }^\circ\text{C}$, OSC1 = 2.048 MHz	111
Figure 93. Oscillator0 Frequency vs. Temperature, OSC0 = 2.048 kHz	112
Figure 94. Oscillator1 Frequency vs. Temperature, OSC1 = 2.048 MHz	112
Figure 95. Oscillator2 Frequency vs. Temperature, OSC1 = 25 MHz	113
Figure 96. Oscillators Total error vs. Temperature	113
Figure 97. Oscillator0 Settling Time, $V_{DD} = 3.3\text{ V}$, $T_A = 25\text{ }^\circ\text{C}$, OSC0 = 2.048 kHz	114
Figure 98. Oscillator1 Settling Time, $V_{DD} = 3.3\text{ V}$, $T_A = 25\text{ }^\circ\text{C}$, OSC1 = 2.048 MHz	114
Figure 99. Oscillator2 Settling Time, $V_{DD} = 3.3\text{ V}$, $T_A = 25\text{ }^\circ\text{C}$, OSC2 = 25 MHz (Normal Start)	115
Figure 100. Oscillator2 Settling Time, $V_{DD} = 3.3\text{ V}$, $T_A = 25\text{ }^\circ\text{C}$, OSC2 = 25 MHz (Start with Delay)	115
Figure 101. POR Sequence	117
Figure 102. Internal Macrocell States during POR Sequence	118
Figure 103. Power-Down	119
Figure 104. Basic Command Structure	121

Figure 105. I²C General Timing Characteristics121

Figure 106. Byte Write Command, R/W = 0122

Figure 107. Sequential Write Command122

Figure 108. Current Address Read Command, R/W = 1122

Figure 109. Random Read Command123

Figure 110. Sequential Read Command123

Figure 111. Reset Command Timing123

Figure 112. Example of I²C Byte Write Bit Masking126

Figure 113. Analog Temperature Sensor Structure Diagram128

Figure 114. TS Output vs. Temperature, V_{DD} = 2.3 V to 5.5 V128

Figure 115. STQFN 14L 3.0x3.1mm 0.65P FC Package212

Tables

Table 1. Pin Description	11
Table 2. Pin Type Definitions	12
Table 3. Functional Pin Description	12
Table 4. Absolute Maximum Ratings	15
Table 5. Electrostatic Discharge Ratings	15
Table 6. Recommended Operating Conditions	16
Table 7. ES at $T_A = -40\text{ }^\circ\text{C}$ to $+125\text{ }^\circ\text{C}$, $V_{DD} = 2.3\text{ V}$ to 5.5 V Unless Otherwise Noted	16
Table 8. ES of the I ² C Pins for DI Mode at $T_A = -40\text{ }^\circ\text{C}$ to $+125\text{ }^\circ\text{C}$, $V_{DD} = 2.3\text{ V}$ to 5.5 V Unless Otherwise Noted	21
Table 9. ES of the I ² C Pins for DILV Mode at $T_A = -40\text{ }^\circ\text{C}$ to $+125\text{ }^\circ\text{C}$, $V_{DD} = 2.3\text{ V}$ to 5.5 V Unless Otherwise Noted	21
Table 10. I ² C Pins Timing Specifications, DI Mode, $T_A = -40\text{ }^\circ\text{C}$ to $+125\text{ }^\circ\text{C}$, $V_{DD} = 2.3\text{ V}$ to 5.5 V Unless Otherwise Noted	22
Table 11. I ² C Pins Timing Specifications, DILV Mode, $T_A = -40\text{ }^\circ\text{C}$ to $+125\text{ }^\circ\text{C}$, $V_{DD} = 2.3\text{ V}$ to 5.5 V Unless Otherwise Noted	23
Table 12. Typical Current Estimated for Each Macrocell at $T_A = 25\text{ }^\circ\text{C}$	24
Table 13. Typical Delay Estimated for Each Macrocell at $T_A = 25\text{ }^\circ\text{C}$	25
Table 14. Typical Propagations Delays and Pulse Widths at $T_A = 25\text{ }^\circ\text{C}$	28
Table 15. Typical Propagations Delays and Pulse Widths at $T_A = 25\text{ }^\circ\text{C}$	29
Table 16. Typical Counter/Delay Offset at $T_A = 25\text{ }^\circ\text{C}$	29
Table 17. Oscillators Frequency Limits, $V_{DD} = 2.3\text{ V}$ to 5.5 V	30
Table 18. Oscillators Power-On Delay at $T_A = -40\text{ }^\circ\text{C}$ to $+125\text{ }^\circ\text{C}$, OSC Power Setting: "Auto Power-On"	30
Table 19. ACMP Specifications at $T_A = -40\text{ }^\circ\text{C}$ to $+125\text{ }^\circ\text{C}$, $V_{DD} = 2.3\text{ V}$ to 5.5 V Unless Otherwise Noted	30
Table 20. TS Output vs. Temperature, $V_{DD} = 2.3\text{ V}$ to 5.5 V	34
Table 21. Matrix Input Table	49
Table 22. Matrix Output Table	51
Table 23. Connection Matrix Virtual Inputs	54
Table 24. 2-bit LUT0 Truth Table	58
Table 25. 2-bit LUT1 Truth Table	58
Table 26. 2-bit LUT2 Truth Table	58
Table 27. 2-bit LUT Standard Digital Functions	58
Table 28. 2-bit LUT1 Truth Table	60
Table 29. 2-bit LUT Standard Digital Functions	61
Table 30. 3-bit LUT0 Truth Table	66
Table 31. 3-bit LUT1 Truth Table	66
Table 32. 3-bit LUT2 Truth Table	66
Table 33. 3-bit LUT3 Truth Table	66
Table 34. 3-bit LUT4 Truth Table	66
Table 35. 3-bit LUT5 Truth Table	66
Table 36. 3-bit LUT6 Truth Table	66
Table 37. 3-bit LUT7 Truth Table	66
Table 38. 3-bit LUT8 Truth Table	67
Table 39. 3-bit LUT Standard Digital Functions	67
Table 40. 4-bit LUT0 Truth Table	71
Table 41. 4-bit LUT Standard Digital Functions	71
Table 42. 3-bit LUT16 Truth Table	74
Table 43. 3-bit LUT9 Truth Table	80
Table 44. 3-bit LUT10 Truth Table	80
Table 45. 3-bit LUT11 Truth Table	80
Table 46. 3-bit LUT12 Truth Table	80
Table 47. 3-bit LUT13 Truth Table	80
Table 48. 3-bit LUT14 Truth Table	80

Table 49. 3-bit LUT15 Truth Table80
Table 50. 4-bit LUT1 Truth Table83
Table 51. 4-bit LUT Standard Digital Functions83
Table 52. Vref Selection Table102
Table 53. Oscillator Operation Mode Configuration Settings106
Table 54. Read/Write Protection Options124
Table 55. Register Map129

1. Block Diagram

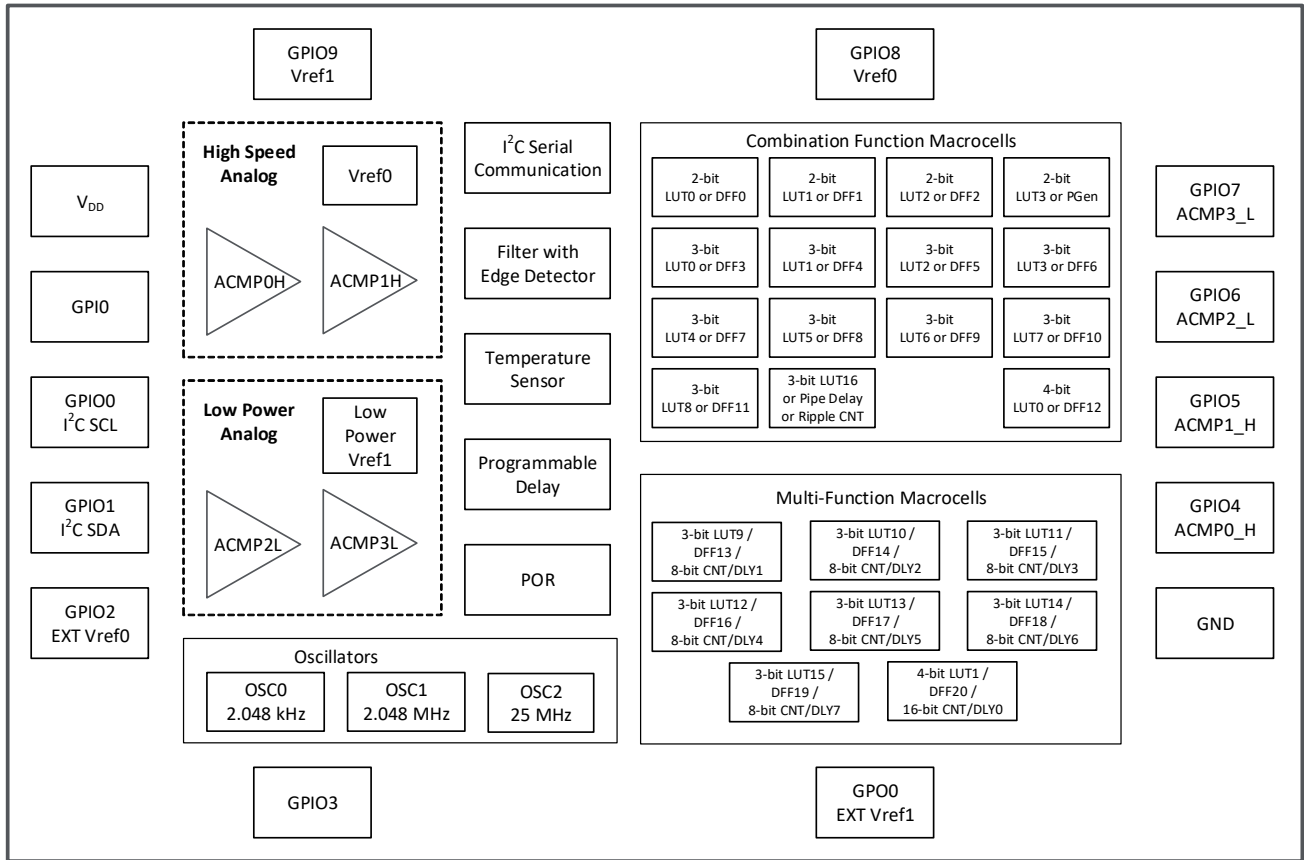


Figure 1. Block Diagram

2. Pin Information

2.1 Pin Assignments

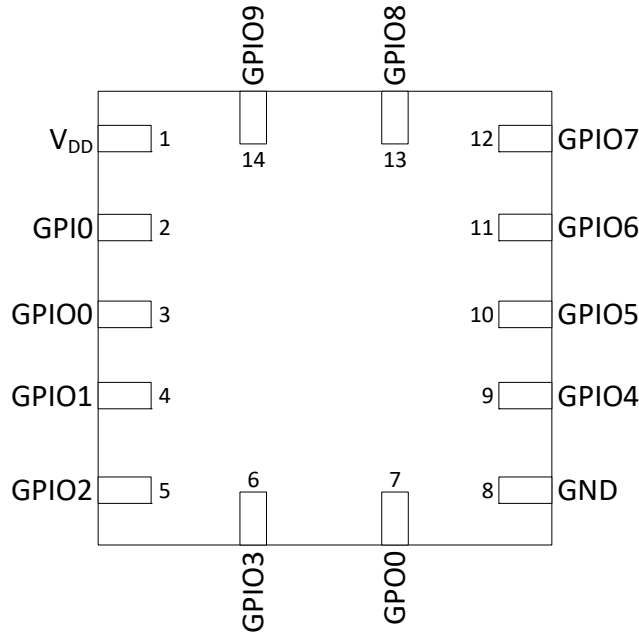


Figure 2. Pin Assignments - STQFN - 14L

2.2 Pin Descriptions

Table 1. Pin Description

Pin Number	Pin Name	Description
1	V _{DD}	Power Supply
2	GPIO0	GPI, SLA_0
3	GPIO0	GPIO, SCL
4	GPIO1	GPIO, SDA
5	GPIO2	GPIO with OE, EXT_Vref0, SLA_1
6	GPIO3	GPIO with OE
7	GPO0	GPO, EXT_Vref1
8	GND	Ground
9	GPIO4	GPIO with OE, ACMP0_H+, SLA_2
10	GPIO5	GPIO with OE, ACMP1_H+, SLA_3
11	GPIO6	GPIO with OE, ACMP2_L+
12	GPIO7	GPIO with OE, ACMP3_L+
13	GPIO8	GPIO with OE, Vref0_OUT, TS_OUT
14	GPIO9	GPIO with OE, Vref1_OUT

Table 2. Pin Type Definitions

Pin type	Definition
V _{DD}	Power Supply
GPI	General Purpose Input
GPIO	General Purpose Input/Output
GPO	General Purpose Output
SCL	I ² C Serial Clock Input
SDA	I ² C Serial Data Input/Output
GND	General Ground

Table 3. Functional Pin Description

STQFN 14L Pin #	Pin Name	Signal Name	Function	Input Options	Output Options
1	V _{DD}	V _{DD}	Power Supply	--	--
		ACMP0_H+	Analog Comparator 0 Positive Input	Analog	--
		ACMP1_H+	Analog Comparator 1 Positive Input	Analog	--
		ACMP2_L+	Analog Comparator 2 Positive Input	Analog	--
		ACMP3_L+	Analog Comparator 3 Positive Input	Analog	--
2	GPIO	GPIO	General Purpose Input	Digital Input without Schmitt Trigger	--
				Digital Input with Schmitt Trigger	--
				Low Voltage Digital Input	--
		Slave Address 0		--	--
3	GPIO0	GPIO0	General Purpose IO with OE [1]	Digital Input without Schmitt Trigger	Open-Drain NMOS (3.2x)
				Digital Input with Schmitt Trigger	
				Low Voltage Digital Input	--
	SCL	SCL	I ² C Serial Clock	Digital Input without Schmitt Trigger	--
				Digital Input with Schmitt Trigger	--
				Low Voltage Digital Input	--

Table 3. Functional Pin Description (Cont.)

STQFN 14L Pin #	Pin Name	Signal Name	Function	Input Options	Output Options
4	GPIO1	GPIO1	General Purpose IO	Digital Input without Schmitt Trigger	Open-Drain NMOS (3.2x)
				Digital Input with Schmitt Trigger	--
				Low Voltage Digital Input	--
		SDA	I ² C Serial Data	Digital Input without Schmitt Trigger	--
				Digital Input with Schmitt Trigger	--
				Low Voltage Digital Input	--
5	GPIO2	GPIO2	General Purpose IO with OE [1]	Digital Input without Schmitt Trigger	Push-Pull (1x) (2x)
				Digital Input with Schmitt Trigger	Open-Drain NMOS (1x) (2x)
				Low Voltage Digital Input	--
		Slave Address 1	--	--	
		EXT_VREF0	Analog Comparator Negative Input	Analog	--
6	GPIO3	GPIO3	General Purpose IO with OE [1]	Digital Input without Schmitt Trigger	Push-Pull (1x) (2x)
				Digital Input with Schmitt Trigger	Open-Drain NMOS (1x) (2x)
				Low Voltage Digital Input	--
7	GPO0	GPO0	General Purpose Output	--	Push-Pull (1x) (2x)
				--	Open-Drain NMOS (1x) (2x) (4x)
		EXT_VREF1	Analog Comparator Negative Input	Analog	--
8	GND	GND	Power Supply	--	--
9	GPIO4	GPIO4	General Purpose IO with OE [1]	Digital Input without Schmitt Trigger	Push-Pull (1x) (2x)
				Digital Input with Schmitt Trigger	Open-Drain NMOS (1x) (2x) (4x)
				Low Voltage Digital Input	--
		ACMP0_H+	Analog Comparator 0_H Positive Input	Analog	--
		Slave Address 2	--	--	--

Table 3. Functional Pin Description (Cont.)

STQFN 14L Pin #	Pin Name	Signal Name	Function	Input Options	Output Options
10	GPIO5	GPIO5	General Purpose IO with OE [1]	Digital Input without Schmitt Trigger	Push-Pull (1x) (2x)
				Digital Input with Schmitt Trigger	Open-Drain NMOS (1x) (2x)
				Low Voltage Digital Input	--
		ACMP1_H+	Analog Comparator 1_H Positive Input	Analog	--
		Slave Address 3		--	--
11	GPIO6	GPIO6	General Purpose IO with OE [1]	Digital Input without Schmitt Trigger	Push-Pull (1x) (2x)
				Digital Input with Schmitt Trigger	Open-Drain NMOS (1x) (2x)
				Low Voltage Digital Input	--
		ACMP2_L+	Analog Comparator 2_L Positive Input	Analog	--
12	GPIO7	GPIO7	General Purpose IO with OE [1]	Digital Input without Schmitt Trigger	Push-Pull (1x) (2x)
				Digital Input with Schmitt Trigger	Open-Drain NMOS (1x) (2x)
				Low Voltage Digital Input	--
		ACMP3_L+	Analog Comparator 3_L Positive Input	Analog	--
13	GPIO8	GPIO8	General Purpose IO with OE [1]	Digital Input without Schmitt Trigger	Push-Pull (1x) (2x)
				Digital Input with Schmitt Trigger	Open-Drain NMOS (1x) (2x)
				Low Voltage Digital Input	--
		Vref0	Vref0 Output	Analog	--
14	GPIO9	GPIO9	General Purpose IO with OE [1]	Digital Input without Schmitt Trigger	Push-Pull (1x) (2x)
				Digital Input with Schmitt Trigger	Open-Drain NMOS (1x) (2x)
				Low Voltage Digital Input	--
		Vref1	Vref1 Output	Analog	--

[1] General Purpose IO's with OE can be used to implement bidirectional signals under user control via Connection Matrix to OE signal in IO structure.

3. Specifications

3.1 Absolute Maximum Ratings

Stresses beyond those listed under Absolute Maximum Ratings may cause permanent damage to the device. These are stress ratings only, so functional operation of the device at these or any other conditions beyond those indicated in the operational sections of the specification are not implied. Exposure to Absolute Maximum Rating conditions for extended periods may affect device reliability.

Table 4. Absolute Maximum Ratings

Parameter		Min	Max	Unit
Supply Voltage on V_{DD} relative to GND		-0.3	7	V
DC Input Voltage		GND - 0.5 V	$V_{DD} + 0.5$ V	V
Maximum Average or DC Current through V_{DD} pin		--	26	mA
Maximum Average or DC Current through GND pin		--	67	mA
Maximum Average or DC Current (Through pin)	Push-Pull 1x	--	5	mA
	Push-Pull 2x	--	10	
	Push-Pull 4x	--	20	
	Open-Drain 1x	--	5	
	Open-Drain 2x	--	10	
	Open-Drain 4x	--	20	
Current at Input Pin		-1.0	1.0	mA
Input Leakage Current (Absolute Value)		--	1000	nA
Storage Temperature Range		-65	150	°C
Junction Temperature		--	150	°C
Moisture Sensitive Level		1		

3.2 Electrostatic Discharge Ratings

Table 5. Electrostatic Discharge Ratings

Parameter	Min	Max	Unit
ESD Protection (Human Body Model)	2000	--	V
ESD Protection (Charged Device Model)	1300	--	V

3.3 Recommended Operating Conditions

Table 6. Recommended Operating Conditions

Parameter	Condition	Min	Max	Unit
Supply Voltage (V_{DD})		2.3	5.5	V
Operating Ambient Temperature		-40	125	°C
Maximal Voltage Applied to any PIN in High Impedance State		--	$V_{DD} + 0.3$	V
Capacitor Value at V_{DD}		0.1	--	μF
Analog Input Common Mode Range	Allowable Input Voltage at Analog Pins	0	V_{DD}	V

3.4 Electrical Specifications

Table 7. ES at $T_A = -40\text{ }^\circ\text{C}$ to $+125\text{ }^\circ\text{C}$, $V_{DD} = 2.3\text{ V}$ to 5.5 V Unless Otherwise Noted

Parameter	Description	Condition	Min	Typ	Max	Unit
V_{IH}	HIGH-Level Input Voltage	Logic Input [1]	$0.7 \times V_{DD}$	--	$V_{DD} + 0.3$	V
		Logic Input with Schmitt Trigger	$0.8 \times V_{DD}$	--	$V_{DD} + 0.3$	V
		Low-Level Logic Input [1]	1.25	--	$V_{DD} + 0.3$	V
V_{IL}	LOW-Level Input Voltage	Logic Input [1]	GND-0.3	--	$0.3 \times V_{DD}$	V
		Logic Input with Schmitt Trigger	GND-0.3	--	$0.2 \times V_{DD}$	V
		Low-Level Logic Input [1]	GND-0.3	--	0.5	V
V_{HYS}	Schmitt Trigger Hysteresis Voltage	$V_{DD} = 2.3\text{ V}$	0.27	0.40	0.59	V
		$V_{DD} = 3.3\text{ V}$	0.33	0.44	0.59	V
		$V_{DD} = 5.5\text{ V}$	0.49	0.60	0.75	V

Table 7. ES at $T_A = -40\text{ }^{\circ}\text{C}$ to $+125\text{ }^{\circ}\text{C}$, $V_{DD} = 2.3\text{ V}$ to 5.5 V Unless Otherwise Noted (Cont.)

Parameter	Description	Condition	Min	Typ	Max	Unit
V_{OH}	HIGH-Level Output Voltage	Push-Pull, 1x Drive, $V_{DD} = 2.3\text{ V}$, $I_{OH} = 1\text{ mA}$	2.16	--	--	V
		Push-Pull, 1x Drive, $V_{DD} = 3.3\text{ V}$, $I_{OH} = 3\text{ mA}$	3.00	--	--	V
		Push-Pull, 1x Drive, $V_{DD} = 5.5\text{ V}$, $I_{OH} = 5\text{ mA}$	5.18	--	--	V
		Push-Pull, 2x Drive, $V_{DD} = 2.3\text{ V}$, $I_{OH} = 1\text{ mA}$	2.23	--	--	V
		Push-Pull, 2x Drive, $V_{DD} = 3.3\text{ V}$, $I_{OH} = 3\text{ mA}$	3.15	--	--	V
		Push-Pull, 2x Drive, $V_{DD} = 5.5\text{ V}$, $I_{OH} = 5\text{ mA}$	5.33	--	--	V
		Push-Pull, 4x Drive (only for GPO0 and GPIO4), $V_{DD} = 2.3\text{ V}$, $I_{OH} = 1\text{ mA}$	2.26	--	--	V
		Push-Pull, 4x Drive (only for GPO0 and GPIO4), $V_{DD} = 3.3\text{ V}$, $I_{OH} = 3\text{ mA}$	3.22	--	--	V
		Push-Pull, 4x Drive (only for GPO0 and GPIO4), $V_{DD} = 5.5\text{ V}$, $I_{OH} = 5\text{ mA}$	5.41	--	--	V
		V_{OL}	LOW-Level Output Voltage	Push-Pull, 1x Drive, $V_{DD} = 2.3\text{ V}$, $I_{OL} = 1\text{ mA}$	--	--
Push-Pull, 1x Drive, $V_{DD} = 3.3\text{ V}$, $I_{OL} = 3\text{ mA}$	--			--	0.240	V
Push-Pull, 1x Drive, $V_{DD} = 5.5\text{ V}$, $I_{OL} = 5\text{ mA}$	--			--	0.286	V
Push-Pull, 2x Drive, $V_{DD} = 2.3\text{ V}$, $I_{OL} = 1\text{ mA}$	--			--	0.052	V
Push-Pull, 2x Drive, $V_{DD} = 3.3\text{ V}$, $I_{OL} = 3\text{ mA}$	--			--	0.118	V
Push-Pull, 2x Drive, $V_{DD} = 5.5\text{ V}$, $I_{OL} = 5\text{ mA}$	--			--	0.144	V
Push-Pull, 4x Drive (only for GPO0 and GPIO4), $V_{DD} = 2.3\text{ V}$, $I_{OL} = 1\text{ mA}$	--			--	0.025	V
Push-Pull, 4x Drive (only for GPO0 and GPIO4), $V_{DD} = 3.3\text{ V}$, $I_{OL} = 3\text{ mA}$	--			--	0.058	V
Push-Pull, 4x Drive (only for GPO0 and GPIO4), $V_{DD} = 5.5\text{ V}$, $I_{OL} = 5\text{ mA}$	--			--	0.070	V
NMOS OD, 1x Drive, $V_{DD} = 2.3\text{ V}$, $I_{OL} = 1\text{ mA}$	--			--	0.045	V

Table 7. ES at $T_A = -40\text{ }^\circ\text{C}$ to $+125\text{ }^\circ\text{C}$, $V_{DD} = 2.3\text{ V}$ to 5.5 V Unless Otherwise Noted (Cont.)

Parameter	Description	Condition	Min	Typ	Max	Unit
V_{OL}	LOW-Level Output Voltage	NMOS OD, 1x Drive, $V_{DD} = 3.3\text{ V}$, $I_{OL} = 3\text{ mA}$	--	--	0.099	V
		NMOS OD, 1x Drive, $V_{DD} = 5.5\text{ V}$, $I_{OL} = 5\text{ mA}$	--	--	0.123	V
		NMOS OD, 2x Drive, $V_{DD} = 2.3\text{ V}$, $I_{OL} = 1\text{ mA}$	--	--	0.021	V
		NMOS OD, 2x Drive, $V_{DD} = 3.3\text{ V}$, $I_{OL} = 3\text{ mA}$	--	--	0.049	V
		NMOS OD, 2x Drive, $V_{DD} = 5.5\text{ V}$, $I_{OL} = 5\text{ mA}$	--	--	0.061	V
		NMOS OD, 4x Drive (only for GPO0 and GPIO4), $V_{DD} = 2.3\text{ V}$, $I_{OL} = 1\text{ mA}$	--	--	0.009	V
		NMOS OD, 4x Drive (only for GPO0 and GPIO4), $V_{DD} = 3.3\text{ V}$, $I_{OL} = 3\text{ mA}$	--	--	0.023	V
		NMOS OD, 4x Drive (only for GPO0 and GPIO4), $V_{DD} = 5.5\text{ V}$, $I_{OL} = 5\text{ mA}$	--	--	0.029	V
I_{OH}	HIGH-Level Output Pulse Current [2]	Push-Pull, 1x Drive, $V_{DD} = 2.3\text{ V}$, $V_{OH} = V_{DD} - 0.2$	1.39	--	--	mA
		Push-Pull, 1x Drive, $V_{DD} = 3.3\text{ V}$, $V_{OH} = 2.4\text{ V}$	7.46	--	--	mA
		Push-Pull, 1x Drive, $V_{DD} = 5.5\text{ V}$, $V_{OH} = 2.75\text{ V}$	26.18	--	--	mA
		Push-Pull, 2x Drive, $V_{DD} = 2.3\text{ V}$, $V_{OH} = V_{DD} - 0.2$	2.72	--	--	mA
		Push-Pull, 2x Drive, $V_{DD} = 3.3\text{ V}$, $V_{OH} = 2.4\text{ V}$	14.55	--	--	mA
		Push-Pull, 2x Drive, $V_{DD} = 5.5\text{ V}$, $V_{OH} = 2.75\text{ V}$	50.38	--	--	mA
		Push-Pull, 4x Drive (only for GPO0 and GPIO4), $V_{DD} = 2.3\text{ V}$, $V_{OH} = V_{DD} - 0.2$	5.24	--	--	mA
		Push-Pull, 4x Drive (only for GPO0 and GPIO4), $V_{DD} = 3.3\text{ V}$, $V_{OH} = 2.4\text{ V}$	27.69	--	--	mA
		Push-Pull, 4x Drive (only for GPO0 and GPIO4), $V_{DD} = 5.5\text{ V}$, $V_{OH} = 2.75\text{ V}$	94.38	--	--	mA

Table 7. ES at $T_A = -40\text{ }^\circ\text{C}$ to $+125\text{ }^\circ\text{C}$, $V_{DD} = 2.3\text{ V}$ to 5.5 V Unless Otherwise Noted (Cont.)

Parameter	Description	Condition	Min	Typ	Max	Unit
I_{OL}	LOW-Level Output Pulse Current [2]	Push-Pull, 1x Drive, $V_{DD} = 2.3\text{ V}$, $V_{OL} = 0.2\text{ V}$	1.84	--	--	mA
		Push-Pull, 1x Drive, $V_{DD} = 3.3\text{ V}$, $V_{OL} = 0.4\text{ V}$	4.78	--	--	mA
		Push-Pull, 1x Drive, $V_{DD} = 5.5\text{ V}$, $V_{OL} = 0.4\text{ V}$	6.78	--	--	mA
		Push-Pull, 2x Drive, $V_{DD} = 2.3\text{ V}$, $V_{OL} = 0.2\text{ V}$	3.65	--	--	mA
		Push-Pull, 2x Drive, $V_{DD} = 3.3\text{ V}$, $V_{OL} = 0.4\text{ V}$	9.46	--	--	mA
		Push-Pull, 2x Drive, $V_{DD} = 5.5\text{ V}$, $V_{OL} = 0.4\text{ V}$	13.26	--	--	mA
		Push-Pull, 4x Drive (only for GPO0 and GPIO4), $V_{DD} = 2.3\text{ V}$, $V_{OL} = 0.2\text{ V}$	7.14	--	--	mA
		Push-Pull, 4x Drive (only for GPO0 and GPIO4), $V_{DD} = 3.3\text{ V}$, $V_{OL} = 0.4\text{ V}$	19.02	--	--	mA
		Push-Pull, 4x Drive (only for GPO0 and GPIO4), $V_{DD} = 5.5\text{ V}$, $V_{OL} = 0.4\text{ V}$	26.98	--	--	mA
		NMOS OD, 1x Drive, $V_{DD} = 2.3\text{ V}$, $V_{OL} = 0.2\text{ V}$	4.48	--	--	mA
		NMOS OD, 1x Drive, $V_{DD} = 3.3\text{ V}$, $V_{OL} = 0.4\text{ V}$	11.62	--	--	mA
		NMOS OD, 1x Drive, $V_{DD} = 5.5\text{ V}$, $V_{OL} = 0.4\text{ V}$	16.12	--	--	mA
		NMOS OD, 2x Drive, $V_{DD} = 2.3\text{ V}$, $V_{OL} = 0.2\text{ V}$	8.80	--	--	mA
		NMOS OD, 2x Drive, $V_{DD} = 3.3\text{ V}$, $V_{OL} = 0.4\text{ V}$	22.54	--	--	mA
		NMOS OD, 2x Drive, $V_{DD} = 5.5\text{ V}$, $V_{OL} = 0.4\text{ V}$	31.06	--	--	mA
		NMOS OD, 4x Drive (only for GPO0 and GPIO4), $V_{DD} = 2.3\text{ V}$, $V_{OL} = 0.2\text{ V}$	18.07	--	--	mA
		NMOS OD, 4x Drive (only for GPO0 and GPIO4), $V_{DD} = 3.3\text{ V}$, $V_{OL} = 0.4\text{ V}$	46.69	--	--	mA
		NMOS OD, 4x Drive (only for GPO0 and GPIO4), $V_{DD} = 5.5\text{ V}$, $V_{OL} = 0.4\text{ V}$	64.95	--	--	mA
		T_{SU}	Startup Time	$T_{RAMP} = 10\text{ ms}$	--	1.5
PON_{THR}	Power-On Threshold	V_{DD} Level Required to Start Up the Chip	1.56	1.84	2.03	V

Table 7. ES at $T_A = -40\text{ }^\circ\text{C}$ to $+125\text{ }^\circ\text{C}$, $V_{DD} = 2.3\text{ V}$ to 5.5 V Unless Otherwise Noted (Cont.)

Parameter	Description	Condition	Min	Typ	Max	Unit
$POFF_{THR}$	Power-Off Threshold	V_{DD} Level Required to Switch Off the Chip	0.43	1.07	1.63	V
R_{PULL}	Pull-up or Pull-down Resistance	1 M for Pull-up: $V_{IN} = GND$; for Pull-down: $V_{IN} = V_{DD}$	--	1	--	$M\Omega$
		100 k for Pull-up: $V_{IN} = GND$; for Pull-down: $V_{IN} = V_{DD}$	--	100	--	$k\Omega$
		10 k For Pull-up: $V_{IN} = GND$; for Pull-down: $V_{IN} = V_{DD}$	--	10	--	$k\Omega$
C_{IN}	Input Capacitance			4		pF
I_{LKG}	Logic Input without Schmitt Trigger (Floating) Leakage	$V_{in} = V_{DD}$, $V_{DD} = 2.3\text{ V}$, All Pins	--	14	--	nA
		$V_{in} = V_{DD}$, $V_{DD} = 3.3\text{ V}$, All Pins	--	16	--	nA
		$V_{in} = V_{DD}$, $V_{DD} = 5.5\text{ V}$, All Pins	--	20	--	nA
		$V_{in} = 0$, $V_{DD} = 2.3\text{ V}$, All Pins	--	5	--	nA
		$V_{in} = 0$, $V_{DD} = 3.3\text{ V}$, All Pins	--	5	--	nA
		$V_{in} = 0$, $V_{DD} = 5.5\text{ V}$, All Pins	--	11	--	nA
	Logic Input with Schmitt Trigger (Floating) Leakage	$V_{in} = V_{DD}$, $V_{DD} = 2.3\text{ V}$, All Pins	--	15	--	nA
		$V_{in} = V_{DD}$, $V_{DD} = 3.3\text{ V}$, All Pins	--	16	--	nA
		$V_{in} = V_{DD}$, $V_{DD} = 5.5\text{ V}$, All Pins	--	20	--	nA
		$V_{in} = 0$, $V_{DD} = 2.3\text{ V}$, All Pins	--	5	--	nA
		$V_{in} = 0$, $V_{DD} = 3.3\text{ V}$, All Pins	--	5	--	nA
		$V_{in} = 0$, $V_{DD} = 5.5\text{ V}$, All Pins	--	11	--	nA
	Low-Level Logic Input (Floating) Leakage	$V_{in} = V_{DD}$, $V_{DD} = 2.3\text{ V}$, All Pins	--	15	--	nA
		$V_{in} = V_{DD}$, $V_{DD} = 3.3\text{ V}$, All Pins	--	16	--	nA
		$V_{in} = V_{DD}$, $V_{DD} = 5.5\text{ V}$, All Pins	--	20	--	nA
		$V_{in} = 0$, $V_{DD} = 2.3\text{ V}$, All Pins	--	5	--	nA
		$V_{in} = 0$, $V_{DD} = 3.3\text{ V}$, All Pins	--	5	--	nA
		$V_{in} = 0$, $V_{DD} = 5.5\text{ V}$, All Pins	--	11	--	nA

[1] No hysteresis.

[2] DC or average current through any pin should not exceed value given in Absolute Maximum Conditions.

3.5 I²C Pins Electrical Specifications

Table 8. ES of the I²C Pins for DI Mode at T_A = -40 °C to +125 °C, V_{DD} = 2.3 V to 5.5 V Unless Otherwise Noted

Parameter	Description	Condition	Fast-Mode		Fast-Mode plus		Unit
			Min	Max	Min	Max	
V _{IL}	LOW-level Input Voltage		-0.5	0.3xV _{DD}	-0.5	0.3xV _{DD}	V
V _{IH}	HIGH-level Input Voltage		0.7xV _{DD}	5.5	0.7xV _{DD}	5.5	V
V _{HYS}	Hysteresis of Schmitt Trigger Inputs		0.05xV _{DD}	--	0.05xV _{DD}	--	V
V _{OL1}	LOW-Level Output Voltage 1	(Open-Drain or open collector) at 3mA sink current V _{DD} > 2.3 V	0	0.4	0	0.4	V
V _{OL2}	LOW-Level Output Voltage 2	(Open-Drain or open collector) at 2 mA sink current V _{DD} = 2.3 V	0	0.2xV _{DD}	0	0.2xV _{DD}	V
I _{OL}	LOW-Level Output Current [1]	V _{OL} = 0.4 V, V _{DD} = 2.3 V	3	--	19.5	--	mA
		V _{OL} = 0.4 V, V _{DD} = 3.0 V	3	--	20	--	mA
		V _{OL} = 0.4 V, V _{DD} = 4.5 V	3	--	20	--	mA
		V _{OL} = 0.6 V	6	--	--	--	mA
t _{of}	Output Fall Time from V _{IHmin} to V _{ILmax} [1]		14x (V _{DD} /5.5V)	250	10x (V _{DD} /5.5V)	120	ns
t _{SP}	Pulse Width of Spikes that must be suppressed by the Input Filter		0	50	0	50	ns
I _i	Input Current each IO Pin	0.1xV _{DD} < V _I < 0.9xV _{DDmax}	-10	+10	-10	+10	μA
C _i	Capacitance for each IO Pin		--	10	--	10	pF

[1] Does not meet standard I²C specifications: t_{of} = 20x(V_{DD}/5.5V) (min); For Fast-mode Plus I_{OL} = 20 mA (min) at V_{OL} = 0.4 V.

[2] For Fast-mode Plus SDA pin must be configured as NMOS 2x Open-Drain, see register [789] in section 17. Register Definitions.

Table 9. ES of the I²C Pins for DILV Mode at T_A = -40°C to +125°C, V_{DD} = 2.3V to 5.5V Unless Otherwise Noted

Parameter	Description	Condition	Fast-mode		Unit
			Min	Max	
V _{IL}	LOW-level Input Voltage [1]		GND-0.3	0.5	V
V _{IH}	HIGH-level Input Voltage [1]		1.25	V _{DD} +0.3	V
V _{OL1}	LOW-Level Output Voltage 1	(Open-Drain or open collector) at 3mA sink current V _{DD} > 2.3 V	0	0.4	V

Table 9. ES of the I²C Pins for DILV Mode at T_A = -40°C to +125°C, V_{DD} = 2.3V to 5.5V Unless Otherwise Noted (Cont.)

Parameter	Description	Condition	Fast-mode		Unit
			Min	Max	
V _{OL2}	LOW-Level Output Voltage 2	(Open-Drain or open collector) at 2 mA sink current V _{DD} = 2.3 V	0	0.2xV _{DD}	V
I _{OL}	LOW-Level Output Current	V _{OL} = 0.4 V, V _{DD} = 2.3 V	3	--	mA
		V _{OL} = 0.4 V, V _{DD} = 3.0 V	3	--	mA
		V _{OL} = 0.4 V, V _{DD} = 4.5 V	3	--	mA
		V _{OL} = 0.6 V	6	--	mA
t _{of}	Output Fall Time from V _{IHmin} to V _{ILmax} [1]		14x (V _{DD} /5.5V)	250	ns
t _{SP}	Pulse Width of Spikes that must be suppressed by the Input Filter		0	50	ns
I _i	Input Current each IO Pin	0.1xV _{DD} < V _i < 0.9xV _{DDmax}	-10	+10	μA
C _i	Capacitance for each IO Pin		--	10	pF

[1] Does not meet standard I²C specifications: V_{IL} = -0.5 V (min), V_{IL} = 0.3xV_{DD} (max), V_{IH} = 0.7xV_{DD} (min), V_{IH} = 5.5 V (max), t_{of} = 20x(V_{DD}/5.5V) (min).

Table 10. I²C Pins Timing Specifications, DI Mode, T_A = -40 °C to +125 °C, V_{DD} = 2.3 V to 5.5 V Unless Otherwise Noted

Parameter	Description	Condition	Speed						Unit
			400 kHz			1 MHz			
			Min	Typ	Max	Min	Typ	Max	
F _{SCL}	Clock Frequency, SCL		--	--	400	--	--	1000	kHz
t _{LOW}	Clock Pulse Width Low		1300	--	--	500	--	--	ns
t _{HIGH}	Clock Pulse Width High		600	--	--	260	--	--	ns
t _i	Input Filter Spike Suppression (SCL, SDA)[1]	V _{DD} = 2.5 V ±8 %	--	--	80	--	--	87	ns
		V _{DD} = 3.3 V ±10%	--	--	87	--	--	87	
		V _{DD} = 5.5 V ±10%	--	--	89	--	--	87	
t _{VD_ACK}	Data Valid Acknowledge Time		--	--	900	--	--	450	ns
t _{BUF}	Bus Free Time between Stop and Start		1300	--	--	500	--	--	ns
t _{HD_STA}	Start Hold Time		600	--	--	260	--	--	ns
t _{SU_STA}	Start Set-up Time		600	--	--	260	--	--	ns
t _{HD_DAT}	Data Hold Time	Rising Edge	0	--	--	0	--	--	ns
		Falling Edge	0	--	--	0	--	--	ns
t _{SU_DAT}	Data Set-up Time		100	--	--	50	--	--	ns
t _R	Inputs Rise Time	C = 15 pF	--	--	300	--	--	120	ns
		C = 100 pF	--	--	300	--	--	120	ns
		C = 400 pF	--	--	300	--	--	120	ns

Table 10. I²C Pins Timing Specifications, DI Mode, T_A = -40 °C to +125 °C, V_{DD} = 2.3 V to 5.5 V Unless Otherwise Noted

Parameter	Description	Condition	Speed						Unit
			400 kHz			1 MHz			
			Min	Typ	Max	Min	Typ	Max	
t _F	Inputs Fall Time	C = 15 pF	--	--	300	--	--	120	ns
		C = 100 pF	--	--	300	--	--	120	ns
		C = 400 pF	--	--	300	--	--	120	ns
t _{SU_STO}	Stop Set-up Time		600	--	--	260	--	--	ns
t _{VD_DAT}	Data Valid Time		50	--	--	50	--	--	ns

[1] Does not meet standard I²C specifications: t_i = 95 ns for V_{DD} = 2.3 V, t_i = 95 ns for V_{DD} = 3.3 V, t_i = 111 ns for V_{DD} = 5.5V for 400 kHz; t_i = 168 ns for V_{DD} = 2.3 V, t_i = 157 ns for V_{DD} = 3.3 V, t_i = 156 ns for V_{DD} = 5.5 V for 1 MHz.
 [2] Timing diagram can be found in the [Figure 105](#).
 [3] Please follow official I²C spec UM10204.

Table 11. I²C Pins Timing Specifications, DILV Mode, T_A = -40°C to +125°C, V_{DD} = 2.3 V to 5.5 V Unless Otherwise Noted

Parameter	Description	Condition	Speed			Unit
			400 kHz			
			Min	Typ	Max	
F _{SCL}	Clock Frequency, SCL		--	--	400	kHz
t _{LOW}	Clock Pulse Width Low		1300	--	--	ns
t _{HIGH}	Clock Pulse Width High		600	--	--	ns
t _i	Input Filter Spike Suppression (SCL, SDA) [1]	V _{DD} = 2.3 V ± 8 %	--	--	300	ns
		V _{DD} = 3.3 V ± 10 %	--	--	235	
		V _{DD} = 5.5 V ± 10 %	--	--	187	
t _{VD_ACK}	Data Valid Acknowledge Time		--	--	900	ns
t _{BUF}	Bus Free Time between Stop and Start		1300	--	--	ns
t _{HD_STA}	Start Hold Time		600	--	--	ns
t _{SU_STA}	Start Set-up Time		600	--	--	ns
t _{HD_DAT}	Data Hold Time [1]	Rising Edge	0.3	--	--	ns
		Falling Edge	0	--	--	ns
t _{SU_DAT}	Data Set-up Time		100	--	--	ns
t _R	Inputs Rise Time	C = 15 pF	--	--	300	ns
		C = 100 pF	--	--	300	ns
		C = 400pF	--	--	300	ns
t _F	Inputs Fall Time	C = 15 pF	--	--	300	ns
		C = 100 pF	--	--	300	ns
		C = 400 pF	--	--	300	ns
t _{SU_STO}	Stop Set-up Time		600	--	--	ns

Table 11. I²C Pins Timing Specifications, DILV Mode, T_A = -40°C to +125°C, V_{DD} = 2.3 V to 5.5 V Unless Otherwise Noted (Cont.)

Parameter	Description	Condition	Speed			Unit
			400 kHz			
			Min	Typ	Max	
t _{VD_DAT}	Data Out Hold Time		50	--	--	ns

[1] Does not meet standard I²C specifications: t_l = 95 ns for V_{DD} = 2.3 V, t_l = 95 ns for V_{DD} = 3.3 V, t_l = 111 ns for V_{DD} = 5.5 V; t_{HD_DAT} = 0 ns (min) for Rising Edge.
 [2] Timing diagram can be found in the [Figure 105](#).
 [3] Please follow official I²C spec UM10204.
 [4] When SCL Input is in Low-Level Logic mode max frequency is 400 kHz.

3.6 Macrocells Current Consumption

Table 12. Typical Current Estimated for Each Macrocell at T_A = 25 °C

Parameter	Description	Note	V _{DD} = 2.5 V	V _{DD} = 3.3 V	V _{DD} = 5.0 V	Unit
I _{DD}	Current	Chip Quiescent	0.34	0.39	0.46	μA
		Vref0, SourceNone	7.61	7.67	7.88	μA
		Vref1, SourceNone	1.39	1.42	1.51	μA
		OSC2 25 MHz, pre-divider = 1, second divider = 1	50.46	62.63	90.60	μA
		OSC2 25 MHz, pre-divider = 4, second divider = 1	33.46	39.91	55.47	μA
		OSC2 25 MHz, pre-divider = 8, second divider = 1	30.35	35.75	49.03	μA
		OSC1 2.048 MHz, pre-divider = 1, second divider = 1	20.64	21.99	24.94	μA
		OSC1 2.048 MHz, pre-divider = 4, second divider = 1	18.56	19.21	20.61	μA
		OSC1 2.048 MHz, pre-divider = 8, second divider = 1	18.18	18.71	19.84	μA
		OSC0 2.048 kHz, pre-divider = 1, second divider = 1	0.62	0.66	0.77	μA
		OSC0 2.048 kHz, pre-divider = 4, second divider = 1	0.62	0.66	0.76	μA
		OSC0 2.048 kHz, pre-divider = 8, second divider = 1	0.61	0.66	0.76	μA
		Temperature Sensor, Output Range 1 (0.62 V to 0.99 V)	14.80	14.87	15.43	μA
		Temperature Sensor, Output Range 2 (0.75 V to 1.2 V)	14.94	15.02	15.43	μA
		All ACMPs (includes internal Vref, Vin+ = 0, Vref = 32 mV)	37.36	38.10	40.42	μA
All ACMPxH (includes internal Vref, Vin+ = 0, Vref = 32 mV)	35.95	36.65	38.92	μA		

Table 12. Typical Current Estimated for Each Macrocell at T_A = 25 °C (Cont.)

Parameter	Description	Note	V _{DD} = 2.5 V	V _{DD} = 3.3 V	V _{DD} = 5.0 V	Unit
I _{DD}	Current	ACMP0H 100µA Enabled (includes internal Vref, Vin+ = 0, Vref = 32 mV)	48.95	50.26	53.90	µA
		Any ACMPxL (includes internal Vref, Vin+ = 0, Vref = 32 mV)	1.89	1.93	2.04	µA

3.7 Timing Specifications

Table 13. Typical Delay Estimated for Each Macrocell at T_A = 25 °C

Parameter	Description	Note	V _{DD} = 2.5 V		V _{DD} = 3.3 V		V _{DD} = 5.0 V		Unit
			Rising	Falling	Rising	Falling	Rising	Falling	
tpd	Delay	Digital Input to PP 1x	23	26	17	19	12	15	ns
tpd	Delay	Digital Input to PP 2x	22	25	16	16	12	14	ns
tpd	Delay	Digital Input with Schmitt Trigger to PP 1x	24	27	18	21	14	15	ns
tpd	Delay	Low Voltage Digital Input to PP 1x	38	241	26	164	18	104	ns
tpd	Delay	Digital input to NMOS 1x	--	24	--	18	--	13	ns
tpd	Delay	Digital input to NMOS 2x	--	23	--	17	--	13	ns
tpd	Delay	Digital input to NMOS 4x	--	23	--	17	--	13	ns
tpd	Delay	Output enable from Pin, OE Hi-Z to 1	23	--	16	--	12	--	ns
tpd	Delay	Output enable from Pin, OE Hi-Z to 0	--	22	--	16	--	12	ns
tpd	Delay	PP 1x 3 State Hi-Z to 1	22	--	16	--	12	--	ns
tpd	Delay	PP 1x 3 State Hi-Z to 0	--	22	--	16	--	12	ns
tpd	Delay	PP 2x 3 State Hi-Z to 1	21	--	16	--	12	--	ns
tpd	Delay	PP 2x 3 State Hi-Z to 0	--	21	--	15	--	11	ns
tpd	Delay	LATCH Q	16	18	11	13	8	9	ns
tpd	Delay	LATCH nQ	19	15	14	11	9	7	ns
tpd	Delay	LATCH nRESET High Q	25	21	17	15	12	10	ns
tpd	Delay	LATCH nRESET High nQ	22	24	16	17	11	12	ns
tpd	Delay	LATCH nRESET Low Q	22	23	15	16	11	12	ns
tpd	Delay	LATCH nRESET Low nQ	24	21	17	15	12	10	ns
tpd	Delay	LATCH nSET High Q	19	21	14	15	9	10	ns
tpd	Delay	LATCH nSET High nQ	22	19	16	13	11	9	ns
tpd	Delay	LATCH nSET Low Q	22	18	16	13	11	9	ns
tpd	Delay	LATCH nSET Low nQ	19	21	14	15	9	10	ns
tpd	Delay	Multi-Function LATCH Q	19	22	14	16	9	11	ns
tpd	Delay	Multi-Function LATCH nQ	22	19	16	13	11	9	ns
tpd	Delay	Multi-Function LATCH nRESET Q	23	27	16	19	11	14	ns
tpd	Delay	Multi-Function LATCH nRESET nQ	27	23	20	17	14	11	ns

Table 13. Typical Delay Estimated for Each Macrocell at T_A = 25 °C (Cont.)

Parameter	Description	Note	V _{DD} = 2.5 V		V _{DD} = 3.3 V		V _{DD} = 5.0 V		Unit
			Rising	Falling	Rising	Falling	Rising	Falling	
tpd	Delay	Multi-Function LATCH nSET Q	25	21	18	15	13	10	ns
tpd	Delay	Multi-Function LATCH nSET nQ	21	25	15	18	10	13	ns
tpd	Delay	LATCH3, LATCH12 First Q	17	19	12	14	8	9	ns
tpd	Delay	LATCH3, LATCH12 First nQ	20	17	14	12	10	8	ns
tpd	Delay	LATCH3, LATCH12 First nRESET High Q	26	23	18	16	13	11	ns
tpd	Delay	LATCH3, LATCH12 First nRESET High nQ	24	26	17	18	12	13	ns
tpd	Delay	LATCH3, LATCH12 First nRESET Low Q	23	25	16	18	11	12	ns
tpd	Delay	LATCH3, LATCH12 First nRESET Low nQ	26	23	18	16	13	11	ns
tpd	Delay	LATCH3, LATCH12 First nSET High Q	21	22	15	16	10	11	ns
tpd	Delay	LATCH3, LATCH12 First nSET High nQ	23	20	17	14	12	10	ns
tpd	Delay	LATCH3, LATCH12 First nSET Low Q	23	20	16	14	11	10	ns
tpd	Delay	LATCH3, LATCH12 First nSET Low nQ	21	23	15	16	10	11	ns
tpd	Delay	LATCH3, LATCH12 Second Q	19	19	13	13	9	9	ns
tpd	Delay	LATCH3, LATCH12 Second nQ	20	18	14	13	10	9	ns
tpd	Delay	LATCH3, LATCH12 Second nRESET High Q	--	22	--	16	--	11	ns
tpd	Delay	LATCH3, LATCH12 Second nRESET High nQ	23	--	17	--	12	--	ns
tpd	Delay	LATCH3, LATCH12 Second nRESET Low Q	--	25	--	18	--	12	ns
tpd	Delay	LATCH3, LATCH12 Second nRESET Low nQ	26	--	18	--	13	--	ns
tpd	Delay	LATCH3, LATCH12 Second nSET High Q	20	--	14	--	10	--	ns
tpd	Delay	LATCH3, LATCH12 Second nSET High nQ	--	20	--	14	--	10	ns
tpd	Delay	LATCH3, LATCH12 Second nSET Low Q	23	--	16	--	11	--	ns
tpd	Delay	LATCH3, LATCH12 Second nSET Low nQ	--	22	--	16	--	11	ns
tpd	Delay	2-bit LUT	15	16	11	11	7	8	ns
tpd	Delay	3-bit LUT	16	17	11	12	8	8	ns
tpd	Delay	4-bit LUT	19	17	13	12	9	9	ns
tpd	Delay	Multi-Function 3-bit LUT	18	21	13	15	9	11	ns
tpd	Delay	Multi-Function 3-bit LUT, CNT Delay	46	47	33	34	23	24	ns
tpd	Delay	Multi-Function 4-bit LUT	21	23	15	17	10	12	ns
tpd	Delay	Multi-Function 4-bit LUT, CNT Delay	48	46	34	34	23	24	ns
tpd	Delay	Edge detect	19	20	13	14	9	9	ns

Table 13. Typical Delay Estimated for Each Macrocell at T_A = 25 °C (Cont.)

Parameter	Description	Note	V _{DD} = 2.5 V		V _{DD} = 3.3 V		V _{DD} = 5.0 V		Unit
			Rising	Falling	Rising	Falling	Rising	Falling	
tw	Width	Edge detect	211	212	156	157	115	115	ns
tpd	Delay	Edge detect Delayed	231	235	170	173	124	126	ns
tpd	Delay	Ripple CNT CLK DOWN Q0	18	16	13	11	9	8	ns
tpd	Delay	Ripple CNT CLK DOWN Q1	29	22	20	16	14	11	ns
tpd	Delay	Ripple CNT CLK DOWN Q2	27	29	20	21	14	14	ns
tpd	Delay	Ripple CNT CLK UP Q0	18	16	13	11	9	8	ns
tpd	Delay	Ripple CNT CLK UP Q1	24	24	17	17	12	12	ns
tpd	Delay	Ripple CNT CLK UP Q2	29	23	21	17	15	12	ns
tpd	Delay	Ripple CNT nSET DOWN Q0	26	33	19	23	14	16	ns
tpd	Delay	Ripple CNT nSET DOWN Q1	26	41	19	29	13	21	ns
tpd	Delay	Ripple CNT nSET DOWN Q2	25	41	18	29	13	20	ns
tpd	Delay	Ripple CNT nSET UP Q0	26	33	19	23	14	16	ns
tpd	Delay	Ripple CNT nSET UP Q1	26	38	19	27	13	19	ns
tpd	Delay	Ripple CNT nSET UP Q2	25	44	18	32	13	22	ns
tpd	Delay	DFF Q	17	17	12	12	8	8	ns
tpd	Delay	DFF nQ	18	16	13	11	9	8	ns
tpd	Delay	DFF nRESET High Q	--	20	--	14	--	10	ns
tpd	Delay	DFF nRESET High nQ	21	--	15	--	10	--	ns
tpd	Delay	DFF nRESET Low Q	--	22	--	16	--	11	ns
tpd	Delay	DFF nRESET Low nQ	23	--	17	--	12	--	ns
tpd	Delay	DFF nSET High Q	21	--	15	--	10	--	ns
tpd	Delay	DFF nSET High nQ	--	20	--	14	--	10	ns
tpd	Delay	DFF nSET Low Q	23	--	16	--	12	--	ns
tpd	Delay	DFF nSET Low nQ	--	22	--	16	--	11	ns
tpd	Delay	Multi-Function DFF Q	19	19	13	13	9	9	ns
tpd	Delay	Multi-Function DFF nQ	20	19	14	13	9	9	ns
tpd	Delay	Multi-Function DFF nRESET Q	--	26	--	19	--	13	ns
tpd	Delay	Multi-Function DFF nRESET nQ	26	--	19	--	13	--	ns
tpd	Delay	Multi-Function DFF nSET Q	26	--	19	--	13	--	ns
tpd	Delay	Multi-Function DFF nSET nQ	--	26	--	19	--	14	ns
tpd	Delay	DFF3, DFF12 First Q	18	18	13	13	9	9	ns
tpd	Delay	DFF3, DFF12 First nQ	19	18	14	13	9	9	ns
tpd	Delay	DFF3, DFF12 First nRESET High Q	--	22	--	15	--	11	ns
tpd	Delay	DFF3, DFF12 First nRESET High nQ	22	--	16	--	11	--	ns
tpd	Delay	DFF3, DFF12 First nRESET Low Q	--	24	--	17	--	12	ns
tpd	Delay	DFF3, DFF12 First nRESET Low nQ	25	--	18	--	12	--	ns

Table 13. Typical Delay Estimated for Each Macrocell at T_A = 25 °C (Cont.)

Parameter	Description	Note	V _{DD} = 2.5 V		V _{DD} = 3.3 V		V _{DD} = 5.0 V		Unit
			Rising	Falling	Rising	Falling	Rising	Falling	
tpd	Delay	DFF3, DFF12 First nSET High Q	22	--	16	--	11	--	ns
tpd	Delay	DFF3, DFF12 First nSET High nQ	--	22	--	15	--	11	ns
tpd	Delay	DFF3, DFF12 First nSET Low Q	24	--	17	--	12	--	ns
tpd	Delay	DFF3, DFF12 First nSET Low nQ	--	24	--	17	--	12	ns
tpd	Delay	DFF3, DFF12 Second Q	20	21	14	15	10	10	ns
tpd	Delay	DFF3, DFF12 Second nQ	21	20	15	14	11	10	ns
tpd	Delay	DFF3, DFF12 Second nRESET High Q	--	21	--	15	--	10	ns
tpd	Delay	DFF3, DFF12 Second nRESET High nQ	22	--	16	--	11	--	ns
tpd	Delay	DFF3, DFF12 Second nRESET Low Q	--	23	--	17	--	12	ns
tpd	Delay	DFF3, DFF12 Second nRESET Low nQ	24	--	17	--	12	--	ns
tpd	Delay	DFF3, DFF12 Second nSET High Q	22	--	15	--	11	--	ns
tpd	Delay	DFF3, DFF12 Second nSET High nQ	--	21	--	15	--	10	ns
tpd	Delay	DFF3, DFF12 Second nSET Low Q	24	--	17	--	12	--	ns
tpd	Delay	DFF3, DFF12 Second nSET Low nQ	--	23	--	17	--	12	ns
tpd	Delay	PGen CLK	16	16	12	11	8	8	ns
tpd	Delay	PGen nRESET Hi-Z to 0	--	21	--	15	--	11	ns
tpd	Delay	PGen nRESET Hi-Z to 1	20	--	14	--	10	--	ns
tpd	Delay	Pipe Delay Out	23	20	16	15	11	10	ns
tpd	Delay	Pipe Delay nRESET Out	30	28	22	21	16	15	ns
tpd	Delay	Filter Q	160	140	109	98	68	65	ns
tpd	Delay	Filter nQ	141	159	99	108	66	68	ns

Table 14. Typical Propagations Delays and Pulse Widths at T_A = 25 °C

Parameter	Description	Note	V _{DD} = 2.5 V	V _{DD} = 3.3 V	V _{DD} = 5.0 V	Unit
tw	Pulse Width, 1 cell	mode: (any)edge detect, edge detect output	221	163	119	ns
tw	Pulse Width, 2 cell	mode: (any)edge detect, edge detect output	438	322	234	ns
tw	Pulse Width, 3 cell	mode: (any)edge detect, edge detect output	652	480	349	ns
tw	Pulse Width, 4 cell	mode: (any)edge detect, edge detect output	869	639	464	ns
time1	Delay, 1 cell	mode: (any)edge detect, edge detect output	18	13	9	ns
time1	Delay, 2 cell	mode: (any)edge detect, edge detect output	18	13	9	ns
time1	Delay, 3 cell	mode: (any)edge detect, edge detect output	18	13	9	ns
time1	Delay, 4 cell	mode: (any)edge detect, edge detect output	18	13	9	ns
time2	Delay, 1 cell	mode: both edge delay, edge detect output	240	176	128	ns
time2	Delay, 2 cell	mode: both edge delay, edge detect output	455	334	243	ns

Table 14. Typical Propagations Delays and Pulse Widths at T_A = 25 °C (Cont.)

Parameter	Description	Note	V _{DD} = 2.5 V	V _{DD} = 3.3 V	V _{DD} = 5.0 V	Unit
time2	Delay, 3 cell	mode: both edge delay, edge detect output	672	493	358	ns
time2	Delay, 4 cell	mode: both edge delay, edge detect output	888	673	473	ns

Table 15. Typical Propagations Delays and Pulse Widths at T_A = 25 °C

Parameter	V _{DD} = 2.5 V	V _{DD} = 3.3 V	V _{DD} = 5.0 V	Unit
Filtered Pulse Width	< 127	< 86	< 54	ns
Inverter Filtered Pulse Width	< 109	< 77	< 52	ns

3.8 Counter/Delay Specifications

Table 16. Typical Counter/Delay Offset at T_A = 25 °C

Parameter	OSC freq	OSC Power-on	V _{DD} = 2.5 V	V _{DD} = 3.3 V	V _{DD} = 5.0 V	Unit
Power-On time	25 MHz	auto	0.14	0.14	0.14	μs
Power-On time	2.048 MHz	auto	0.5	0.5	0.4	μs
Power-On time	2.048 kHz	auto	628	544	466	μs
frequency settling time	25 MHz	auto	4	4	8	μs
frequency settling time	2.048 MHz	auto	0.3	0.4	0.4	μs
frequency settling time	2.048 kHz	auto	660	570	480	μs
variable (CLK period)	25 MHz	forced	0-40	0-40	0-40	ns
variable (CLK period)	2.048 MHz	forced	0-0.5	0-0.5	0-0.5	μs
variable (CLK period)	2.048 kHz	forced	0-488	0-488	0-488	μs
tpd (non-delayed edge)	25 MHz/ 2.048 kHz	either	35	14	10	ns

3.9 Oscillator Specifications

Table 17. Oscillators Frequency Limits, $V_{DD} = 2.3 \text{ V to } 5.5 \text{ V}$

OSC	Junction Temperature Range					
	+25 °C			-40 °C to +125 °C		
	Minimum value, kHz	Maximum value, kHz	Error, %	Minimum value, kHz	Maximum value, kHz	Error, %
2.048 kHz OSC0	1.99728	2.07872	+1.500	1.6000	2.1187	+3.452
			-2.477			-21.875
2.048 MHz OSC1	2004.98	2078.72	+1.500	1936.88	2097.32	+2.408
			-2.101			-5.426
25 MHz OSC2	24457.6	25404.3	+1.617	23127.8	25602.0	+2.408
			-2.170			-7.489

3.9.1 OSC Power-On Delay

Table 18. Oscillators Power-On Delay at $T_A = -40 \text{ °C to } +125 \text{ °C}$, OSC Power Setting: "Auto Power-On"

Power Supply Range (V_{DD}) V	OSC0 2.048 kHz		OSC1 2.048 MHz		OSC2 25 MHz		OSC2 25 MHz Start with Delay	
	Typical value, μs	Maximum value, μs	Typical value, ns	Maximum value, ns	Typical value, ns	Maximum value, ns	Typical value, ns	Maximum value, ns
2.30	725	1165	528	567	45	64	145	167
2.50	684	1081	506	548	40	56	143	165
3.00	613	932	471	516	32	44	141	165
3.30	583	868	458	503	28	40	140	166
3.60	560	817	448	492	26	37	140	167
4.00	535	762	437	480	24	33	140	168
5.00	488	662	416	458	20	28	140	171
5.50	464	617	409	450	18	27	140	172

3.10 ACMP Specifications

Table 19. ACMP Specifications at $T_A = -40 \text{ °C to } +125 \text{ °C}$, $V_{DD} = 2.3 \text{ V to } 5.5 \text{ V}$ Unless Otherwise Noted

Parameter	Description	Note	Condition	Min	Typ	Max	Unit
V_{ACMP}	ACMP Input Voltage Range	Positive Input		0	--	V_{DD}	V
		Negative Input		0	--	V_{DD}	V
V_{offset}	ACMP Input Offset	ACMPxH $V_{HYS} = 0 \text{ mV}$, Gain = 1, $V_{ref} = 32 \text{ mV to } 2016 \text{ mV}$		-7.0	--	8.0	mV
		ACMPxL $V_{HYS} = 0 \text{ mV}$, Gain = 1, $V_{ref} = 32 \text{ mV to } 2016 \text{ mV}$		-5.0	--	7.0	mV

Table 19. ACMP Specifications at $T_A = -40\text{ }^\circ\text{C}$ to $+125\text{ }^\circ\text{C}$, $V_{DD} = 2.3\text{ V}$ to 5.5 V Unless Otherwise Noted (Cont.)

Parameter	Description	Note	Condition	Min	Typ	Max	Unit
t_{start}	ACMP Startup Time	ACMP Power-On delay, Minimal required wake time for the "Wake and Sleep function", for ACMPxH		--	--	37.3	μs
		ACMP Power-On delay, Minimal required wake time for the "Wake and Sleep function", for ACMPxL		--	--	294.1	μs
V_{HYS}	ACMP0H, ACMP1H Built-in Hysteresis [1]	$V_{HYS} = 32\text{ mV}$	$T_A = 25\text{ }^\circ\text{C}$	23.0	--	37.0	mV
		$V_{HYS} = 64\text{ mV}$	$T_A = 25\text{ }^\circ\text{C}$	55.0	--	69.0	mV
		$V_{HYS} = 192\text{ mV}$	$T_A = 25\text{ }^\circ\text{C}$	183.0	--	198.0	mV
		$V_{HYS} = 32\text{ mV}$		22.0	--	38.0	mV
		$V_{HYS} = 64\text{ mV}$		53.0	--	69.0	mV
		$V_{HYS} = 192\text{ mV}$		181.0	--	198.0	mV
	ACMP2L, ACMP3L Built-in Hysteresis [1]	$V_{HYS} = 32\text{ mV}$	$T_A = 25\text{ }^\circ\text{C}$	26.0	--	37.0	mV
		$V_{HYS} = 64\text{ mV}$	$T_A = 25\text{ }^\circ\text{C}$	58.0	--	70.0	mV
		$V_{HYS} = 192\text{ mV}$	$T_A = 25\text{ }^\circ\text{C}$	186.0	--	199.0	mV
		$V_{HYS} = 32\text{ mV}$		24.0	--	37.0	mV
		$V_{HYS} = 64\text{ mV}$		56.0	--	70.0	mV
		$V_{HYS} = 192\text{ mV}$		184.0	--	199.0	mV
R_{sin}	Series Input Resistance	Gain = 1x		--	10.00	--	$\text{G}\Omega$
		Gain = 0.5x		--	2.00	--	$\text{M}\Omega$
		Gain = 0.33x		--	2.00	--	$\text{M}\Omega$
		Gain = 0.25x		--	2.00	--	$\text{M}\Omega$
PROP	Propagation Delay, Response Time for ACMP0H, ACMP1H	Gain = 1, $V_{ref} = 32\text{ mV}$ to 2016 mV , Overdrive = 10 mV	Low to High	--	1.85	13.55	μs
			High to Low	--	2.48	10.04	μs
		Gain = 1, $V_{ref} = 32\text{ mV}$ to 2016 mV , Overdrive = 100 mV	Low to High	--	0.53	2.03	μs
			High to Low	--	0.52	0.97	μs
		Gain = 1, $T_A = 25\text{ }^\circ\text{C}$, $V_{ref} = 32\text{ mV}$, Overdrive = 10 mV	Low to High	--	1.46	--	μs
			High to Low	--	1.75	--	μs
		Gain = 1, $T_A = 25\text{ }^\circ\text{C}$, $V_{ref} = 32\text{ mV}$, Overdrive = 100 mV	Low to High	--	0.55	--	μs
			High to Low	--	0.53	--	μs

Table 19. ACMP Specifications at $T_A = -40\text{ }^\circ\text{C}$ to $+125\text{ }^\circ\text{C}$, $V_{DD} = 2.3\text{ V}$ to 5.5 V Unless Otherwise Noted (Cont.)

Parameter	Description	Note	Condition	Min	Typ	Max	Unit			
PROP	Propagation Delay, Response Time for ACMP2L, ACMP3L	Gain = 1, Vref = 32 mV to 2016 mV, Overdrive = 10 mV	Low to High	--	55.95	128.40	μs			
			High to Low	--	63.01	152.94	μs			
		Gain = 1, Vref = 32 mV to 2016 mV, Overdrive = 100 mV	Low to High	--	19.73	60.49	μs			
			High to Low	--	19.33	60.93	μs			
		Gain = 1, $T_A = 25\text{ }^\circ\text{C}$, Vref = 32 mV, Overdrive = 10 mV	Low to High	--	68.15	--	μs			
			High to Low	--	66.31	--	μs			
Gain = 1, $T_A = 25\text{ }^\circ\text{C}$, Vref = 32 mV, Overdrive = 100 mV	Low to High	--	27.54	--	μs					
	High to Low	--	27.01	--	μs					
G	Gain error	G = 1	Vref = 32 mV	1.000	1.000	1.000				
				G = 0.5	0.484	0.502	0.527			
				G = 0.33	0.324	0.338	0.358			
				G = 0.25	0.238	0.250	0.263			
		G = 1	Vref = 480 mV	1.000	1.000	1.000				
				G = 0.5	0.497	0.501	0.504			
				G = 0.33	0.330	0.333	0.337			
				G = 0.25	0.248	0.250	0.253			
Vref0	Internal Vref0 error, Vref0 = 32 mV to 2016 mV, Buffer Disabled	$V_{DD} = 4.0\text{ V}$	$T_A = +25\text{ }^\circ\text{C}$	-0.98	--	+4.95	%			
				Internal Vref0 Output error, Vref0 = 320 mV to 2016 mV, Buffer Enabled	$V_{DD} = 2.3\text{ V}$ to 5.5 V	$T_A = +25\text{ }^\circ\text{C}$, $I_{LOAD} = 1\text{ }\mu\text{A}$	-8.09	--	+2.49	%
							Internal Vref0 Output error, Vref0 = 320 mV to 2016 mV, Buffer Enabled	$V_{DD} = 2.3\text{ V}$ to 5.5 V	$T_A = -40\text{ }^\circ\text{C}$ to $+125\text{ }^\circ\text{C}$, $I_{LOAD} = 1\text{ }\mu\text{A}$	-8.58

Table 19. ACMP Specifications at $T_A = -40\text{ }^\circ\text{C}$ to $+125\text{ }^\circ\text{C}$, $V_{DD} = 2.3\text{ V}$ to 5.5 V Unless Otherwise Noted (Cont.)

Parameter	Description	Note	Condition	Min	Typ	Max	Unit
Vref1	Internal Vref1 error, Vref1 = 32 mV to 2016 mV, Buffer Disabled	$V_{DD} = 4.0\text{ V}$	$T_A = +25\text{ }^\circ\text{C}$	-1.92	--	+5.30	%
	Internal Vref1 Output error, Vref1 = 320 mV to 2016 mV, Buffer Enabled	$V_{DD} = 2.3\text{ V}$ to 5.5 V	$T_A = +25\text{ }^\circ\text{C}$, $I_{LOAD} = 1\text{ }\mu\text{A}$	-6.17	--	+2.43	%
	Internal Vref1 Output error, Vref1 = 320 mV to 2016 mV, Buffer Enabled	$V_{DD} = 2.3\text{ V}$ to 5.5 V	$T_A = -40\text{ }^\circ\text{C}$ to $+125\text{ }^\circ\text{C}$, $I_{LOAD} = 1\text{ }\mu\text{A}$	-6.94	--	+2.62	%
Is	Input Current Source	$V_{in} = V_{DD} - 0.7\text{ V}$	$V_{DD} = 2.3\text{ V}$	23.3	93.1	117.7	μA
			$V_{DD} = 2.5\text{ V}$	78.4	94.2	111.4	μA
			$V_{DD} = 3.3\text{ V}$	78.2	95.0	111.8	μA
			$V_{DD} = 4.0\text{ V}$	78.2	95.2	112.0	μA
			$V_{DD} = 5.0\text{ V}$	79.4	96.2	112.9	μA
			$V_{DD} = 5.5\text{ V}$	81.7	98.3	116.4	μA
[1] $V_{IL} = V_{in} - V_{HYS}$, $V_{IH} = V_{in}$.							

3.11 Analog Temperature Sensor Specifications

Temperature Sensor typical nonlinearity $\pm 2.12\%$ for output range 1 and $\pm 2.56\%$ for output range 2 at $V_{DD} = 2.3\text{ V}$ to 5.5 V .

Table 20. TS Output vs. Temperature, $V_{DD} = 2.3\text{ V}$ to 5.5 V

Parameter	$T_J, ^\circ\text{C}$	Target V_{TS_OUT}, mV	V_{TS_OUT}, mV		Calculated $T_J, ^\circ\text{C}$		V_{TS_OUT} Accuracy, %		T_J Accuracy, $^\circ\text{C}$	
			Min	Max	Min	Max	Min	Max	Min	Max
TS Output vs. Temperature (Output Range 1) Buffer Enabled	-40	997	985	1011	-45.9	-34.7	-1.20	1.32	-5.9	5.3
	-20	952	942	964	-25.4	-15.5	-1.09	1.28	-5.4	4.5
	0	906	897	917	-4.8	4.0	-1.02	1.22	-4.8	4.0
	20	860	852	870	15.6	23.3	-0.90	1.18	-4.4	3.3
	25	848	840	858	20.8	28.4	-0.94	1.15	-4.2	3.4
	40	813	804	824	35.4	44.1	-1.19	1.34	-4.6	4.1
	60	766	755	779	54.6	64.8	-1.49	1.67	-5.4	4.8
	80	718	705	732	74.1	85.4	-1.82	1.97	-5.9	5.4
	100	670	655	685	93.5	105.9	-2.14	2.36	-6.5	5.9
	110	645	630	662	103.3	116.1	-2.32	2.54	-6.7	6.1
	120	621	605	638	113.0	126.4	-2.53	2.77	-7.0	6.4
	130	596	580	613	123.0	136.3	-2.63	2.90	-7.0	6.3
TS Output vs. Temperature (Output Range 1) Buffer Disabled	-40	997	985	1011	-46.0	-34.6	-1.21	1.35	-6.0	5.4
	-20	952	942	964	-25.4	-15.4	-1.10	1.28	-5.4	4.6
	0	906	897	917	-4.8	4.0	-1.01	1.22	-4.8	4.0
	20	860	852	870	15.6	23.3	-0.90	1.18	-4.4	3.3
	25	848	840	858	20.9	28.5	-0.95	1.14	-4.1	3.5
	40	813	803	824	35.4	44.2	-1.21	1.33	-4.6	4.2
	60	766	754	779	54.6	64.9	-1.53	1.67	-5.4	4.9
	80	718	705	732	74.2	85.5	-1.84	1.96	-5.8	5.5
	100	670	655	685	93.6	106.0	-2.17	2.33	-6.4	6.0
	110	645	630	661	103.4	116.2	-2.36	2.51	-6.6	6.2
	120	621	605	638	113.0	126.4	-2.54	2.76	-7.0	6.4
	130	596	580	613	123.0	136.4	-2.66	2.88	-7.0	6.4

Table 20. TS Output vs. Temperature, $V_{DD} = 2.3\text{ V to }5.5\text{ V}$ (Cont.)

Parameter	$T_J, ^\circ\text{C}$	Target $V_{TS_OUT},$ mV	V_{TS_OUT}, mV		Calculated $T_J, ^\circ\text{C}$		V_{TS_OUT} Accuracy, %		T_J Accuracy, $^\circ\text{C}$	
			Min	Max	Min	Max	Min	Max	Min	Max
TS Output vs. Temperature (Output Range 2) Buffer Enabled	-40	1205	1180	1222	-46.2	-30.8	-2.09	1.39	-6.2	9.2
	-20	1150	1137	1164	-24.8	-15.0	-1.20	1.16	-4.8	5.0
	0	1095	1083	1108	-4.5	4.2	-1.07	1.16	-4.5	4.2
	20	1038	1029	1050	15.8	23.5	-0.94	1.16	-4.2	3.5
	25	1024	1015	1036	20.9	28.4	-0.95	1.14	-4.1	3.4
	40	981	970	995	35.2	43.9	-1.13	1.40	-4.8	3.9
	60	924	911	940	54.3	64.4	-1.37	1.77	-5.7	4.4
	80	865	851	884	73.7	84.8	-1.63	2.15	-6.3	4.8
	100	806	791	827	92.9	105.1	-1.88	2.61	-7.1	5.1
	110	777	761	799	102.5	115.2	-2.02	2.89	-7.5	5.2
	120	747	731	770	112.1	125.3	-2.15	3.16	-7.9	5.3
TS Output vs. Temperature (Output Range 2) Buffer Disabled	-40	1205	1180	1223	-46.4	-30.9	-2.08	1.45	-6.4	9.1
	-20	1150	1137	1164	-24.9	-15.0	-1.21	1.17	-4.9	5.0
	0	1095	1083	1107	-4.5	4.2	-1.07	1.14	-4.5	4.2
	20	1038	1029	1050	15.8	23.5	-0.94	1.15	-4.2	3.5
	25	1024	1014	1036	20.9	28.5	-0.96	1.14	-4.1	3.5
	40	981	970	995	35.3	43.9	-1.15	1.39	-4.7	3.9
	60	924	911	940	54.4	64.4	-1.39	1.76	-5.6	4.4
	80	865	851	884	73.7	84.8	-1.64	2.14	-6.3	4.8
	100	806	791	827	92.9	105.1	-1.89	2.60	-7.1	5.1
	110	777	761	799	102.5	115.3	-2.04	2.86	-7.5	5.3
	120	747	731	770	112.2	125.4	-2.16	3.14	-7.8	5.4
130	717	701	741	122.0	135.3	-2.22	3.35	-8.0	5.3	

4. User Programmability

The SLG46857-A is a user programmable device with one time programmable (OTP) memory elements that are able to configure the connection matrix and macrocells. A programming development kit allows the user the ability to create initial devices. Once the design is finalized, the programming code (.gpx file) is forwarded to Renesas Electronics Corporation to integrate into a production process.

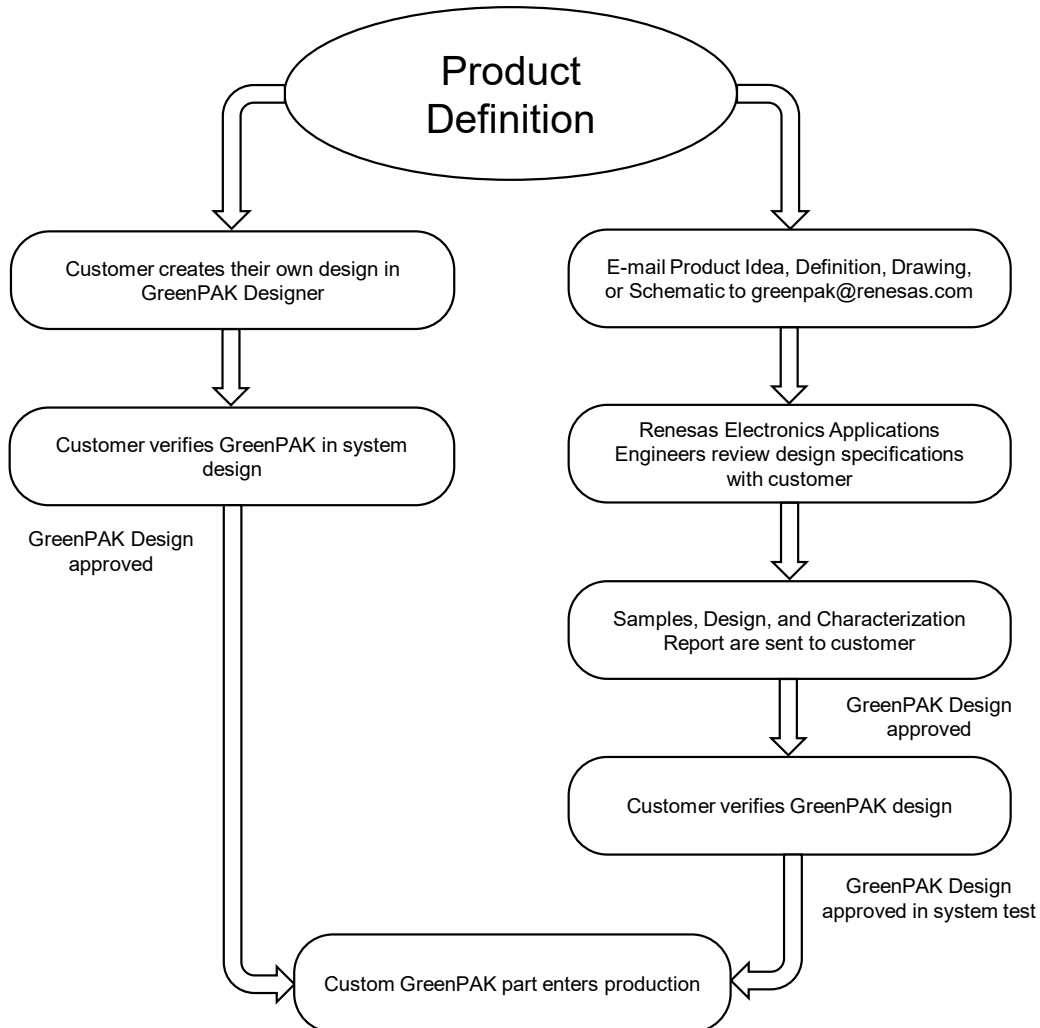


Figure 3. Steps to Create a Custom GreenPAK Device

5. Input/Output Pins

The SLG46857-A has a total of 10 GPIO, 1 GPI, and 1 GPO Pins, which can function as either a user-defined Input or Output, as well as serving as a special function (such as outputting the voltage reference).

5.1 GPIO Pins

GPIO0, GPIO1, GPIO2, GPIO3, GPIO4, GPIO5, GPIO6, GPIO7, GPIO8, and GPIO9 serve as General Purpose IO Pins.

5.2 GPI Pins

GPI0 serves as General Purpose Input Pin.

5.3 GPO Pins

GPO0 serves as General Purpose Output Pin.

5.4 Pull-Up/Down Resistors

All IO Pins have the option for user selectable resistors connected to the input structure. The selectable values on these resistors are 10 k Ω , 100 k Ω , and 1 M Ω . The internal resistors can be configured as either Pull-Up or Pull-Downs.

5.5 Fast Pull-Up/Down During Power-Up

During power-up, IO Pull-Up/Down resistance will switch to 2.6 k Ω initially and then it will switch to the normal setting value. This function is enabled by register [778].

5.6 GPI Structure

5.6.1 GPI Structure (for GPIO)

Input Mode [1:0]
 00: Digital In without Schmitt Trigger, wosmt_en = 1, OE=0
 01: Digital In with Schmitt Trigger, smt_en = 1, OE = 0
 10: Low Voltage Digital In mode, lv_en = 1, OE = 0
 11: Reserved

Note: OE cannot be selected by user and is controlled by register. Digital In is Matrix input.

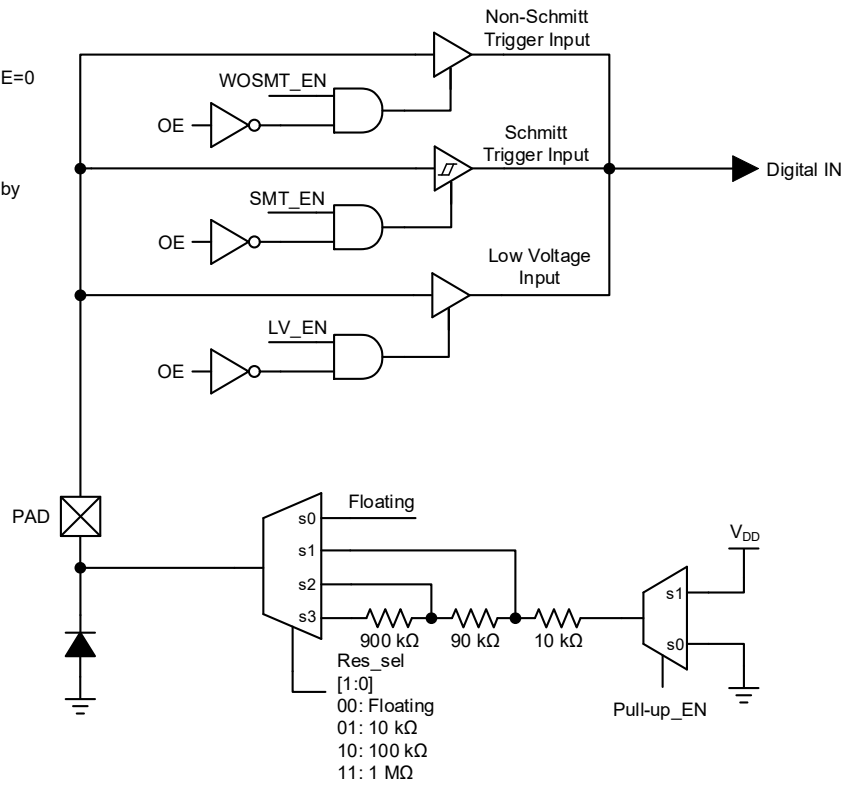


Figure 4. IO0 GPI Structure Diagram

5.7 GPIO with I²C Mode IO Structure

5.7.1 GPIO with I²C Mode Structure (for GPIO0 and GPIO1)

IO6, IO7 Mode [2:0]
 00: Digital Input without Schmitt Trigger
 01: Digital Input with Schmitt Trigger
 10: Low Voltage Digital Input
 11: Reserved

register [790]=1: Open-Drain NMOS for GPIO0
 register [796]=1: Open-Drain NMOS for GPIO1

Note 1: OE cannot be selected by user and is controlled by register.
 Digital In is Matrix input.
 Note 2: GPIO0 and GPIO1 do not support Push-Pull and PMOS Open-Drain modes.
 Note 3: It is possible to apply an input voltage higher than V_{DD} to GPIO0 and GPIO1. However, this voltage should not exceed 5.5 V.
 Note 4: Can be varied over PVT, for reference only

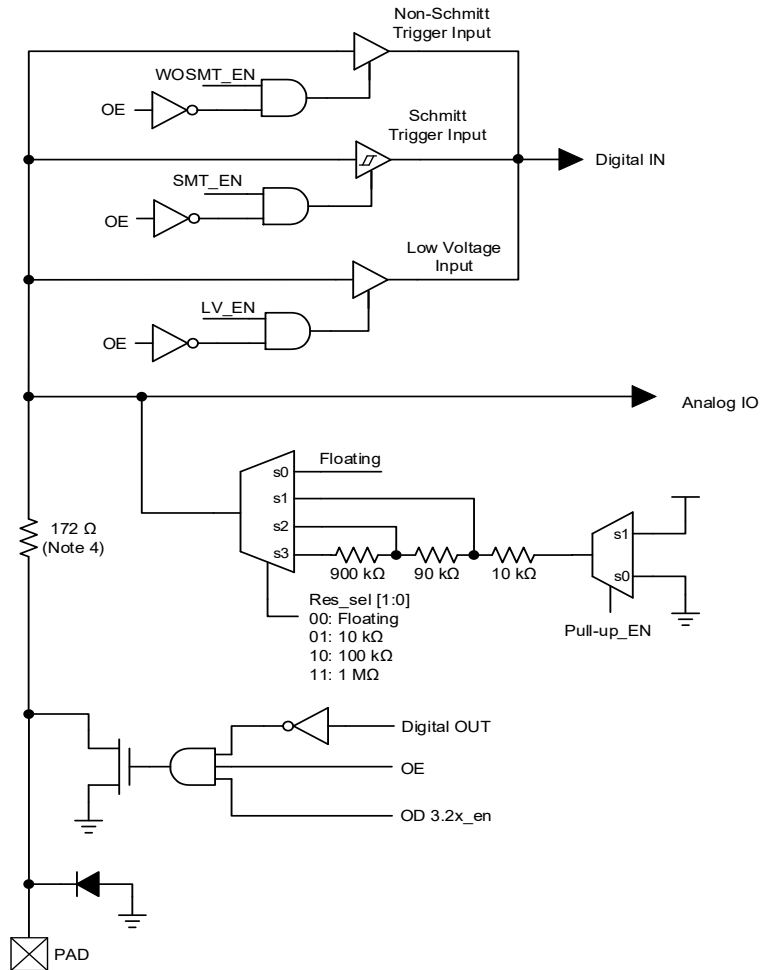


Figure 5. GPIO with I²C Mode IO Structure Diagram

5.8 Matrix OE IO Structure

5.8.1 Matrix OE IO Structure (for GPIO2, GPIO3, GPIO5, GPIO6, GPIO7, GPIO8, and GPIO9)

Input Mode [1:0]
 00: Digital In without Schmitt Trigger, wosmt_en = 1
 01: Digital In with Schmitt Trigger, smt_en = 1
 10: Low Voltage Digital In mode, lv_en = 1
 11: analog IO mode

Output Mode [1:0]
 00: Push-Pull 1x mode, pp1x_en = 1
 01: Push-Pull 2x mode, pp2x_en = 1, pp1x_en = 1
 10: NMOS 1x Open-Drain mode, od1x_en = 1
 11: NMOS 2x Open-Drain mode, od2x_en = 1, od1x_en = 1

Note 1: Digital Out and OE are Matrix Output, Digital In is Matrix Input
 Note 2: Can be varied over PVT, for reference only.

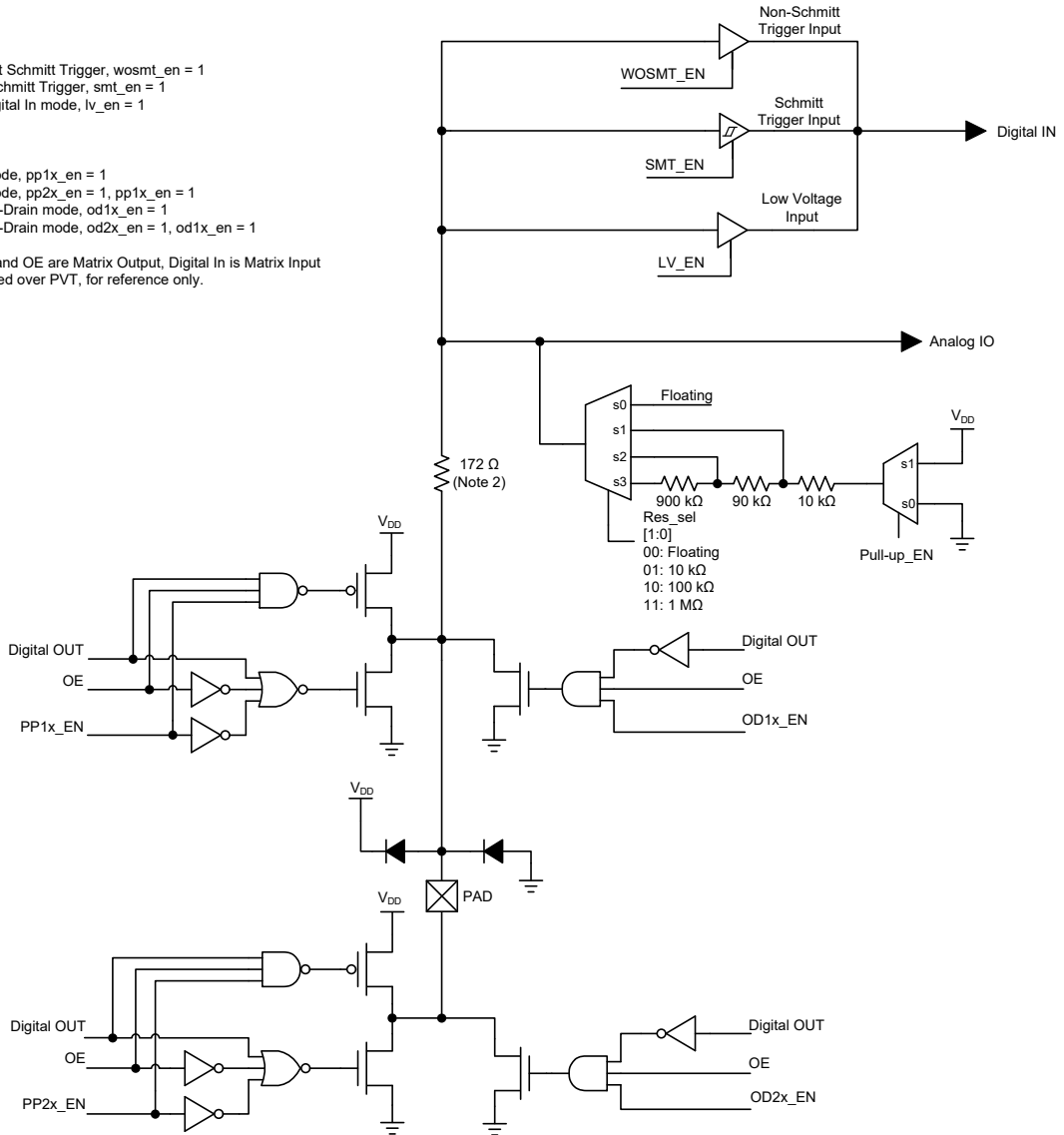


Figure 6. Matrix OE IO Structure Diagram

5.8.2 Matrix OE 4x Drive Structure (for GPIO4)

Input Mode [1:0]
 00: Digital In without Schmitt Trigger, wosmt_en = 1
 01: Digital In with Schmitt Trigger, smt_en = 1
 10: Low Voltage Digital In mode, lv_en = 1
 11: Analog IO mode

Output Mode [2:0]
 Registers [828], [824:823]
 000: Push-Pull 1x mode (pp1x_en)
 001: Push-Pull 2x mode (pp2x_en)
 010: NMOS 1x Open-Drain mode (od1x_en)
 011: NMOS 2x Open-Drain mode (od2x_en)
 100: Reserved
 101: Push-Pull 4x mode (pp4x_en)
 110: Reserved
 111: NMOS 4x Open-Drain mode (od4x_en)

Note 1: Digital Out and OE are Matrix output, Digital In is Matrix input
 Note 2: Can be varied over PVT, for reference only

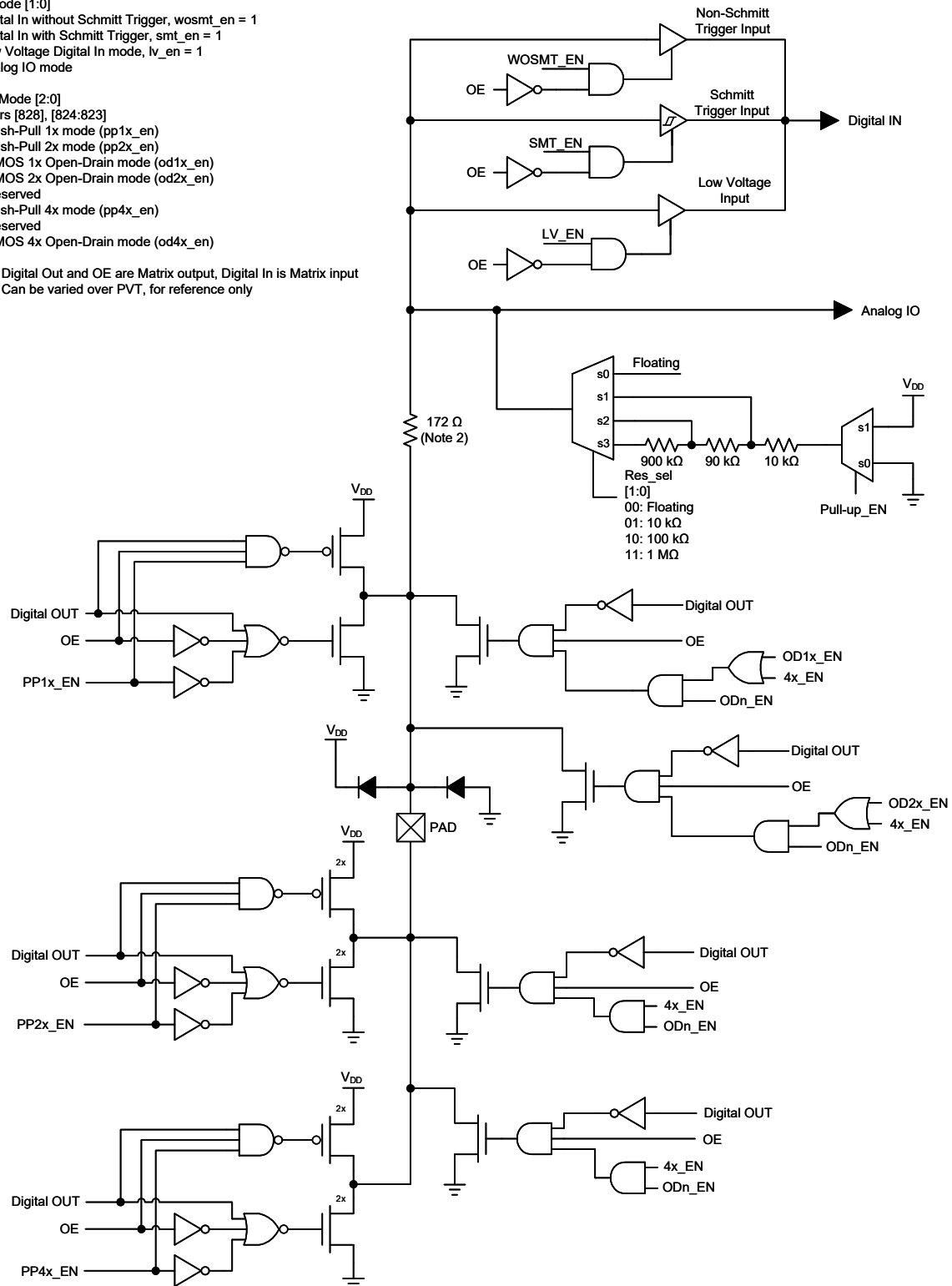


Figure 7. Matrix OE IO 4x Drive Structure Diagram

5.9 GPO Structure

5.9.1 GPO Register OE Structure (for GPO0)

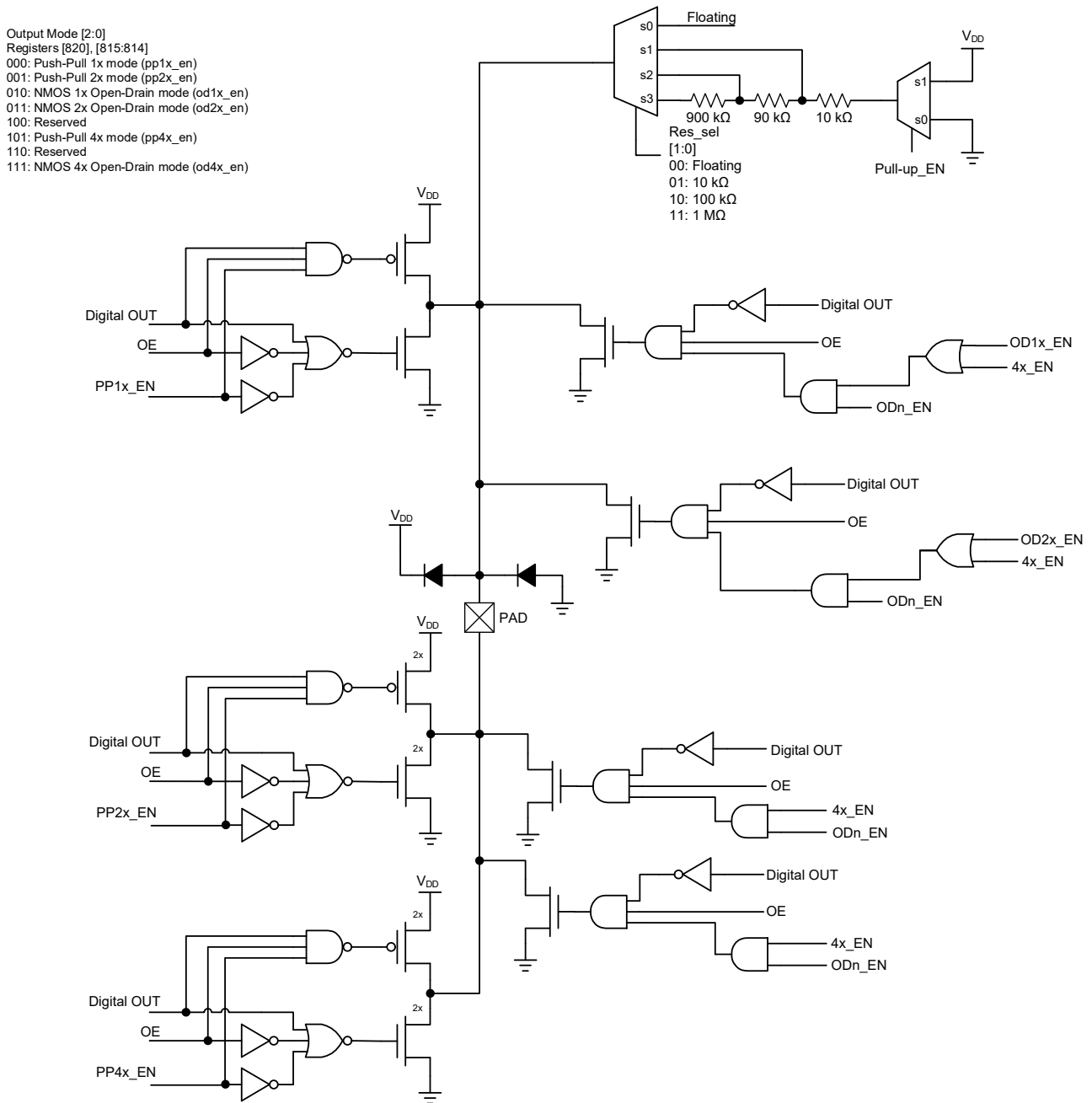


Figure 8. GPO Register OE 4x Drive Structure Diagram

5.10 IO Typical Performance

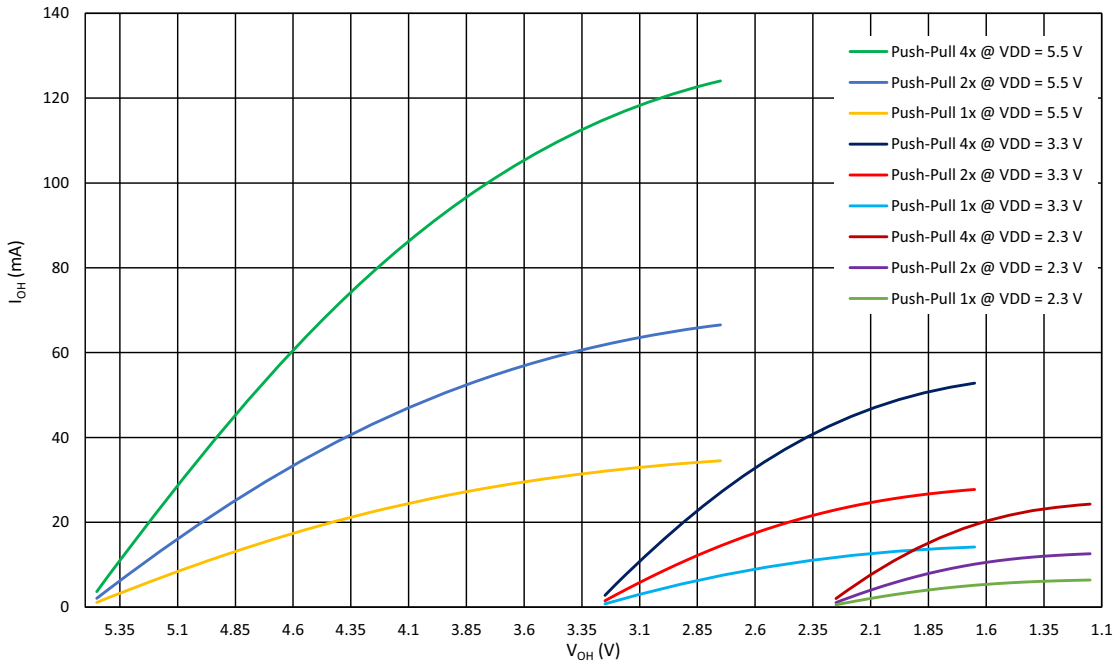


Figure 9. Typical High Level Output Current vs. High Level Output Voltage at $T_A = 25\text{ }^\circ\text{C}$

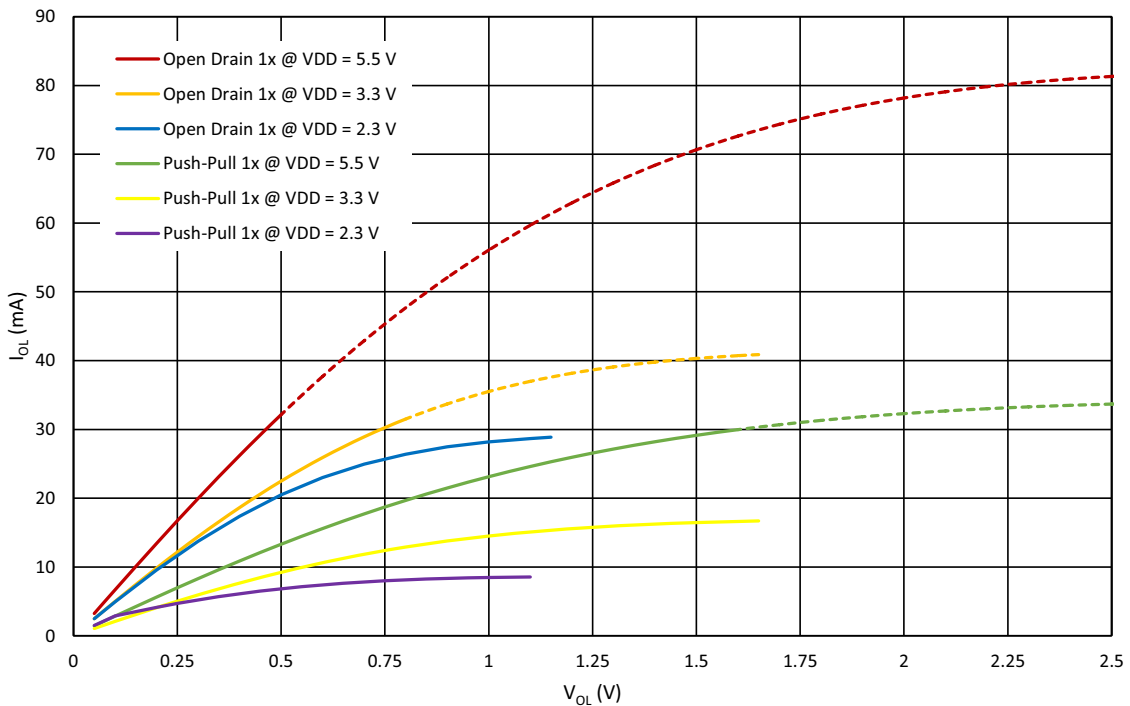


Figure 10. Typical Low Level Output Current vs. Low Level Output Voltage, 1x Drive at $T_A = 25\text{ }^\circ\text{C}$, Full Range

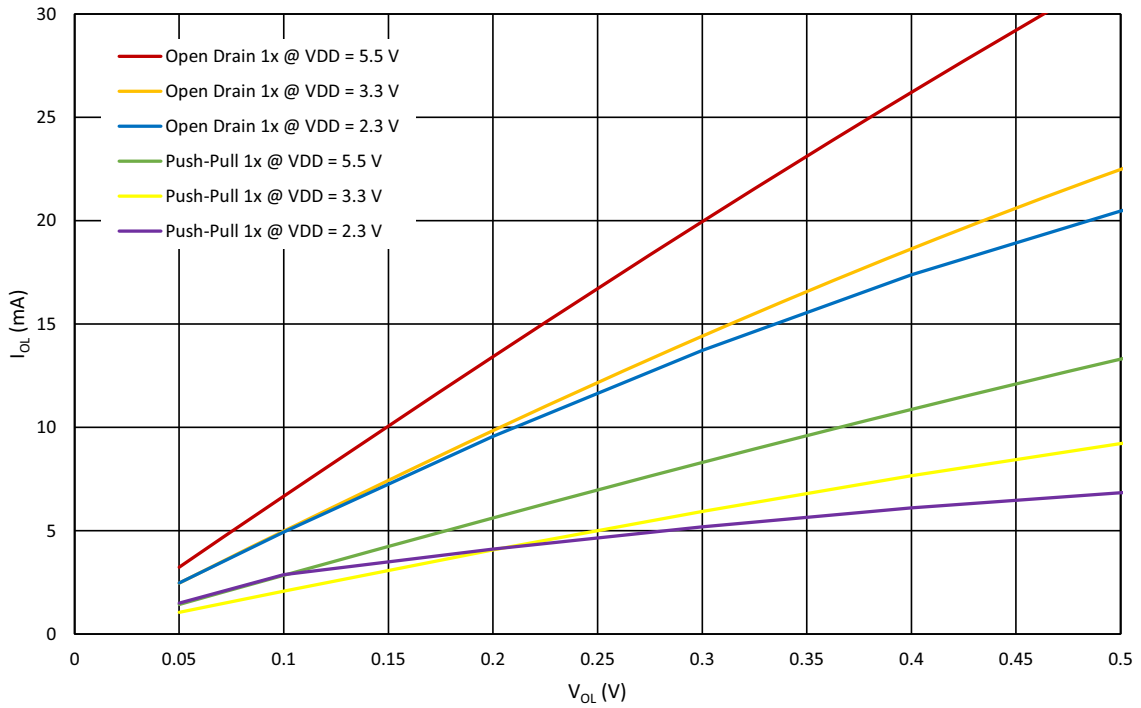


Figure 11. Typical Low Level Output Current vs. Low Level Output Voltage, 1x Drive at T_A = 25 °C

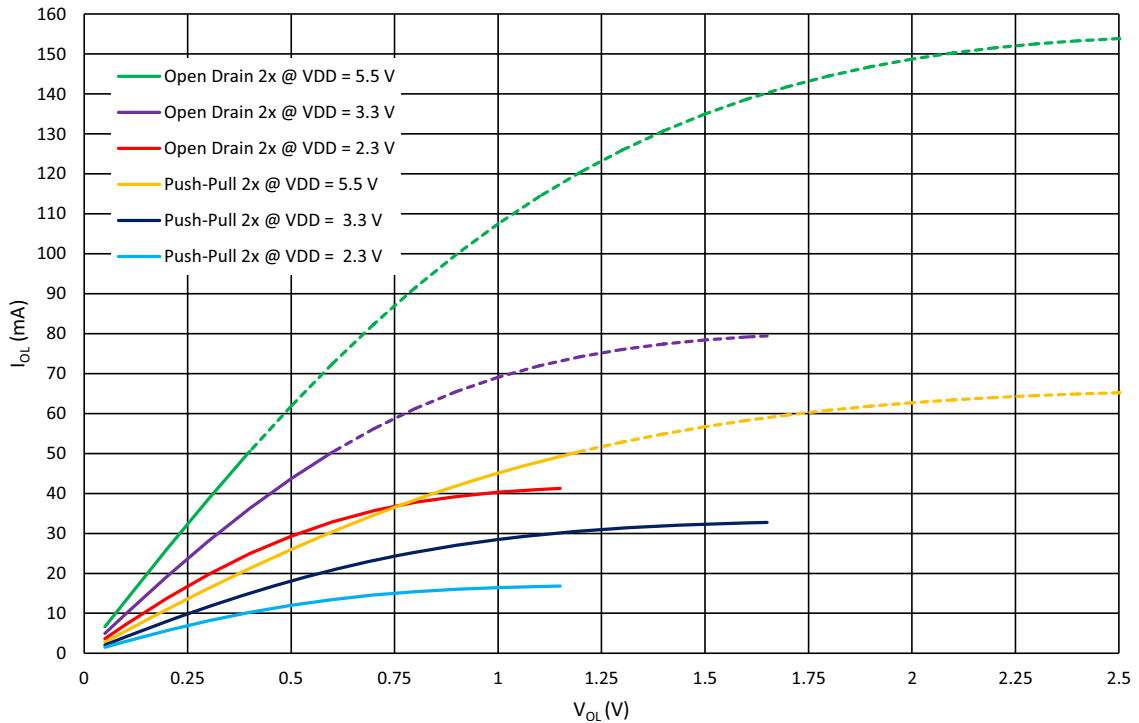


Figure 12. Typical Low Level Output Current vs. Low Level Output Voltage, 2x Drive at T_A = 25 °C, Full Range

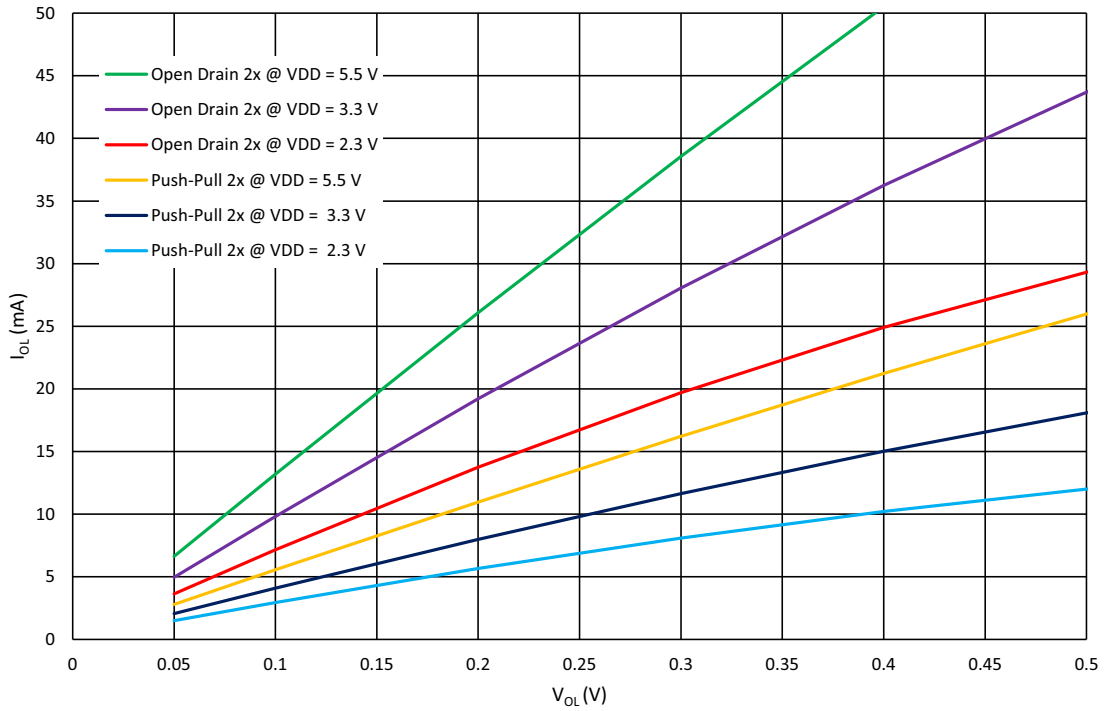


Figure 13. Typical Low Level Output Current vs. Low Level Output Voltage, 2x Drive at T_A = 25 °C

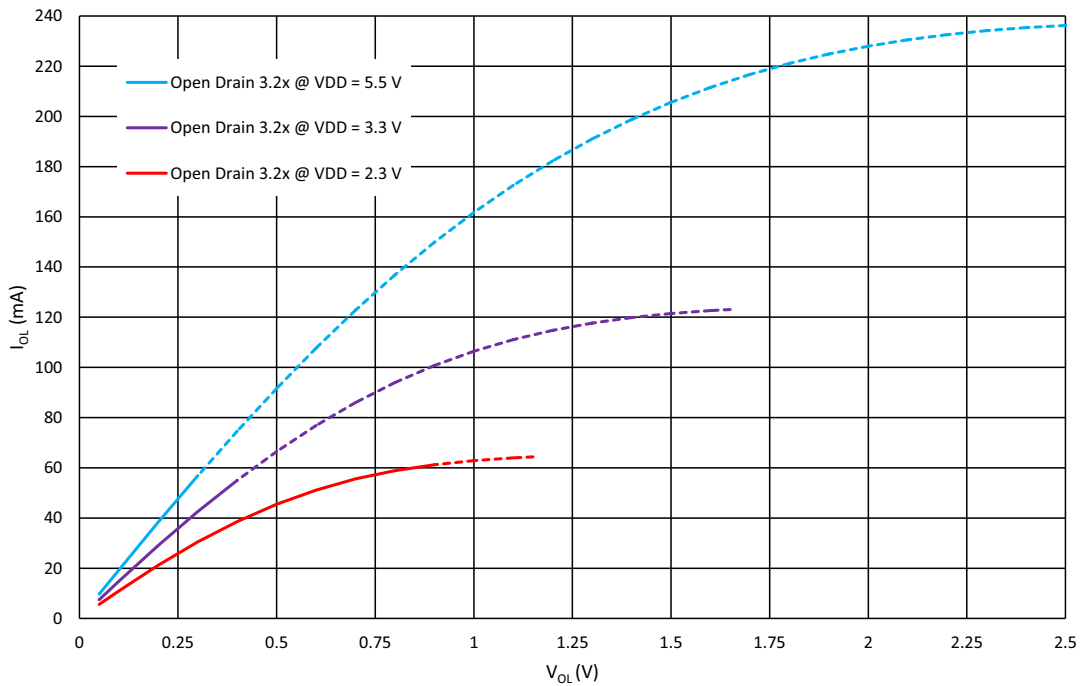


Figure 14. Typical Low Level Output Current vs. Low Level Output Voltage, 3.2x Drive at T_A = 25 °C, Full Range

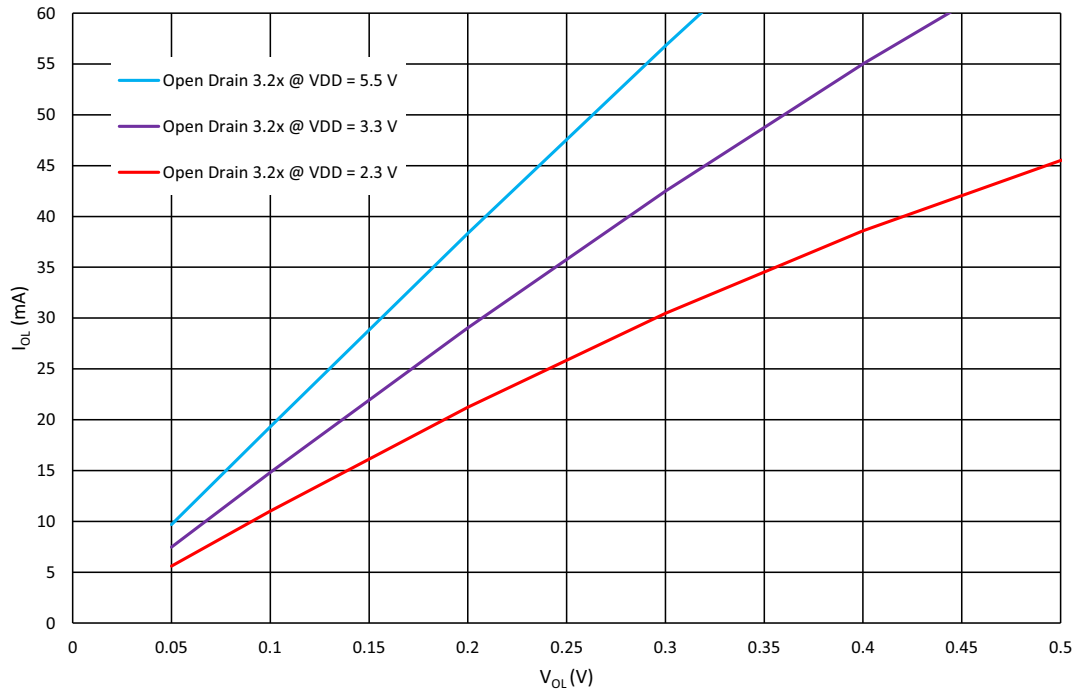


Figure 15. Typical Low Level Output Current vs. Low Level Output Voltage, 3.2x Drive at $T_A = 25\text{ }^\circ\text{C}$

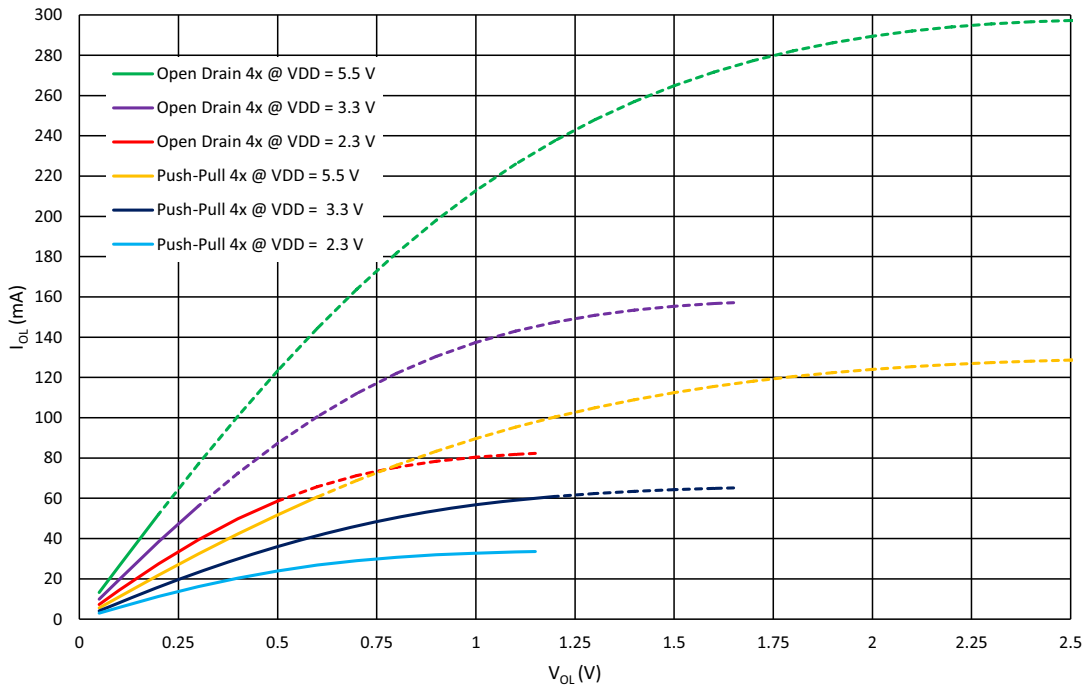


Figure 16. Typical Low Level Output Current vs. Low Level Output Voltage, 4x Drive at $T_A = 25\text{ }^\circ\text{C}$, Full Range

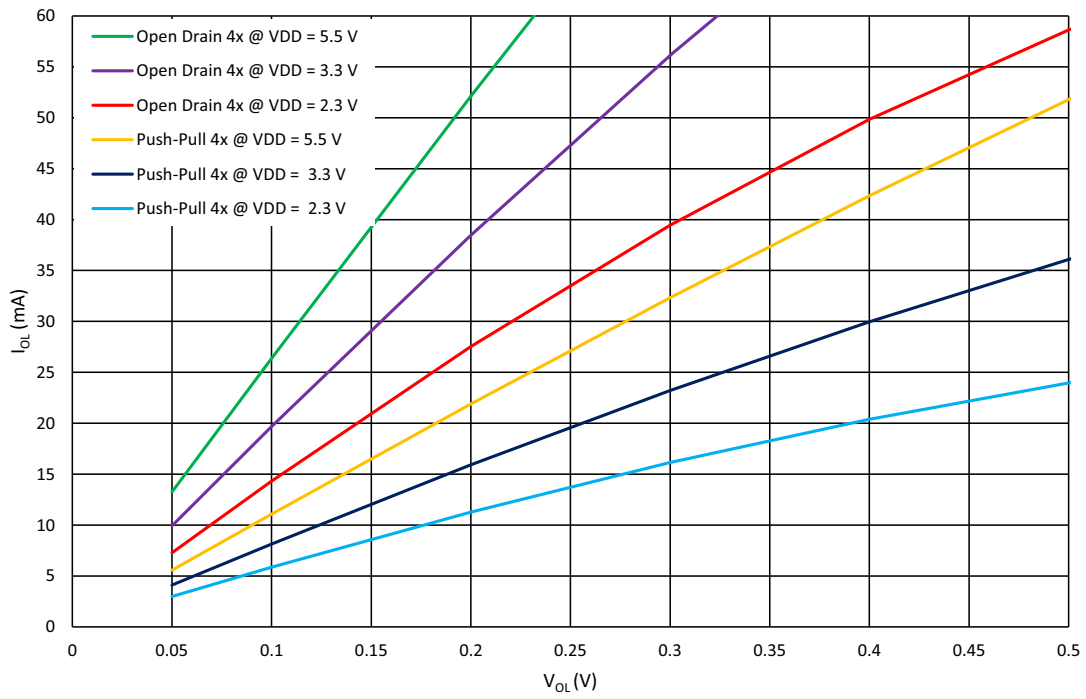


Figure 17. Typical Low Level Output Current vs. Low Level Output Voltage, 4x Drive at $T_A = 25\text{ }^\circ\text{C}$

6. Connection Matrix

The Connection Matrix in the SLG46857-A is used to create the internal routing for internal functional macrocells of the device once it is programmed. The registers are programmed from the one-time programmable (OTP) NVM cell during Test Mode Operation. The output of each functional macrocell within the SLG46857-A has a specific digital bit code assigned to it, that is either set to active “HIGH”, or inactive “LOW”, based on the design that is created. Once the 2048 register bits within the SLG46857-A are programmed, a fully custom circuit will be created.

The Connection matrix has 64 inputs and 96 outputs. Each of the 64 inputs to the Connection matrix is hard-wired to the digital output of a particular source macrocell, including IO pins, LUTs, analog comparators, other digital resources, such as V_{DD} and GND. The input to a digital macrocell uses a 6-bit register to select one of these 64 input lines.

For a complete list of the SLG46857-A’s register table, see Section 17. Register Definitions.

Matrix Input Signal	N					
GND	0					
GPIO1 Digital In	1					
GPIO2 Digital In	2					
GPIO3 Digital In	2					
⋮	⋮					
nRST_core	62					
VDD	63					
Matrix Input	N	0	1	2	⋮	95
	Register	[5:0]	[11:6]	[17:12]	⋮	[575:570]
Matrix Output	Function	IN0 of LUT2_0 or Clock Input of DFF0	IN1 of LUT2_0 or Data Input of DFF0	IN0 of LUT2_1 or Clock Input of PGen	⋮	Multi3_lut3_in2

Figure 18. Connection Matrix

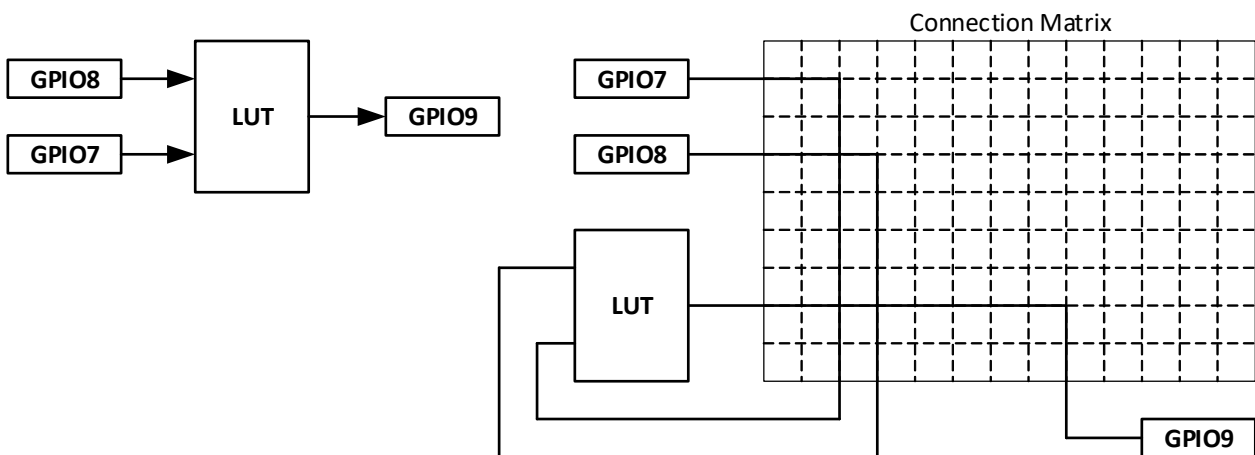


Figure 19. Connection Matrix Example

6.1 Matrix Input Table

Table 21. Matrix Input Table

Matrix Input Number	Matrix Input Signal Function	Matrix Decode					
		5	4	3	2	1	0
0	GND	0	0	0	0	0	0
1	LUT2_0/DFF0 output	0	0	0	0	0	1
2	LUT2_1/DFF1 output	0	0	0	0	1	0
3	LUT2_2/DFF2 output	0	0	0	0	1	1
4	LUT2_3/PGen output	0	0	0	1	0	0
5	LUT3_0/DFF3 output	0	0	0	1	0	1
6	LUT3_1/DFF4 output	0	0	0	1	1	0
7	LUT3_2/DFF5 output	0	0	0	1	1	1
8	LUT3_3/DFF6 output	0	0	1	0	0	0
9	LUT3_4/DFF7 output	0	0	1	0	0	1
10	LUT3_5/DFF8 output	0	0	1	0	1	0
11	LUT3_6/DFF9 output	0	0	1	0	1	1
12	LUT3_7/DFF10 output	0	0	1	1	0	0
13	LUT3_8/DFF11 output	0	0	1	1	0	1
14	CNT0 output	0	0	1	1	1	0
15	MF0_LUT4/DFF_OUT	0	0	1	1	1	1
16	CNT1 output	0	1	0	0	0	0
17	MF1_LUT3/DFF_OUT	0	1	0	0	0	1
18	CNT2 output	0	1	0	0	1	0
19	MF2_LUT3/DFF_OUT	0	1	0	0	1	1
20	CNT3 output	0	1	0	1	0	0
21	MF3_LUT3/DFF_OUT	0	1	0	1	0	1
22	CNT4 output	0	1	0	1	1	0
23	MF4_LUT3/DFF_OUT	0	1	0	1	1	1
24	CNT5 output	0	1	1	0	0	0
25	MF5_LUT3/DFF_OUT	0	1	1	0	0	1
26	CNT6 output	0	1	1	0	1	0
27	MF6_LUT3/DFF_OUT	0	1	1	0	1	1
28	CNT7 output	0	1	1	1	0	0
29	MF7_LUT3/DFF_OUT	0	1	1	1	0	1
30	LUT3_16/Ripple CNT/Pipe Delay_out0	0	1	1	1	1	0
31	Ripple CNT/Pipe Delay_out1	0	1	1	1	1	1
32	GPIO0 digital input or I ² C_virtual_0 Input	1	0	0	0	0	0
33	GPIO1 digital input or I ² C_virtual_1 Input	1	0	0	0	0	1
34	I ² C_virtual_2 Input	1	0	0	0	1	0

Table 21. Matrix Input Table (Cont.)

Matrix Input Number	Matrix Input Signal Function	Matrix Decode					
		5	4	3	2	1	0
35	I ² C_virtual_3 Input	1	0	0	0	1	1
36	I ² C_virtual_4 Input	1	0	0	1	0	0
37	I ² C_virtual_5 Input	1	0	0	1	0	1
38	I ² C_virtual_6 Input	1	0	0	1	1	0
39	I ² C_virtual_7 Input	1	0	0	1	1	1
40	Ripple CNT_out2	1	0	1	0	0	0
41	LUT4_0/DFF12 output	1	0	1	0	0	1
42	Programmable Delay Edge Detect Output	1	0	1	0	1	0
43	Edge Detect Filter Output	1	0	1	0	1	1
44	GPIO Digital Input	1	0	1	1	0	0
45	GPIO2 Digital Input	1	0	1	1	0	1
46	GPIO3, Digital Input	1	0	1	1	1	0
47	GPIO4 Digital Input	1	0	1	1	1	1
48	GPIO5 Digital Input	1	1	0	0	0	0
49	GPIO6 Digital Input	1	1	0	0	0	1
50	GPIO7 Digital Input	1	1	0	0	1	0
51	GPIO8 Digital Input	1	1	0	0	1	1
52	GPIO9, Digital Input	1	1	0	1	0	0
53	Oscillator0 output 0	1	1	0	1	0	1
54	Oscillator1 output 0	1	1	0	1	1	0
55	Oscillator2 output	1	1	0	1	1	1
56	ACMP0 Output (normal speed)	1	1	1	0	0	0
57	ACMP1 Output (normal speed)	1	1	1	0	0	1
58	ACMP2 Output (low speed)	1	1	1	0	1	0
59	ACMP3 output (low speed)	1	1	1	0	1	1
60	Oscillator0 output 1	1	1	1	1	0	0
61	Oscillator1 output 1	1	1	1	1	0	1
62	POR OUT	1	1	1	1	1	0
63	V _{DD}	1	1	1	1	1	1

6.2 Matrix Output Table

Table 22. Matrix Output Table

Register Bit Address	Matrix Output Signal Function	Matrix Output Number
[5:0]	IN0 of LUT2_0 or Clock Input of DFF0	0
[11:6]	IN1 of LUT2_0 or Data Input of DFF0	1
[17:12]	IN0 of LUT2_1 or Clock Input of DFF1	2
[23:18]	IN1 of LUT2_1 or Data Input of DFF1	3
[29:24]	IN0 of LUT2_2 or Clock Input of DFF2	4
[35:30]	IN1 of LUT2_2 or Data Input of DFF2	5
[41:36]	IN0 of LUT2_3 or Clock Input of PGen	6
[47:42]	IN1 of LUT2_3 or nRST of PGen	7
[53:48]	IN0 of LUT3_0 or CLK Input of DFF3	8
[59:54]	IN1 of LUT3_0 or Data of DFF3	9
[65:60]	IN2 of LUT3_0 or nRST (nSET) of DFF3	10
[71:66]	IN0 of LUT3_1 or CLK Input of DFF4	11
[77:72]	IN1 of LUT3_1 or Data of DFF4	12
[83:78]	IN2 of LUT3_1 or nRST (nSET) of DFF4	13
[89:84]	IN0 of LUT3_2 or CLK Input of DFF5	14
[95:90]	IN1 of LUT3_2 or Data of DFF5	15
[101:96]	IN2 of LUT3_2 or nRST (nSET) of DFF5	16
[107:102]	IN0 of LUT3_3 or CLK Input of DFF6	17
[113:108]	IN1 of LUT3_3 or Data of DFF6	18
[119:114]	IN2 of LUT3_3 or nRST (nSET) of DFF6	19
[125:120]	IN0 of LUT3_4 or CLK Input of DFF7	20
[131:126]	IN1 of LUT3_4 or Data of DFF7	21
[137:132]	IN2 of LUT3_4 or Data of DFF7	22
[143:138]	IN0 of LUT3_5 or CLK Input of DFF8	23
[149:144]	IN1 of LUT3_5 or Data of DFF8	24
[155:150]	IN2 of LUT3_5 or nRST (nSET) of DFF8	25
[161:156]	IN0 of LUT3_6 or CLK Input of DFF9	26
[167:162]	IN1 of LUT3_6 or Data of DFF9	27
[173:168]	IN2 of LUT3_6 or nRST (nSET) of DFF9	28
[179:174]	IN0 of LUT3_7 or CLK Input of DFF10	29
[185:180]	IN1 of LUT3_7 or Data of DFF10	30
[191:186]	IN2 of LUT3_7 or nRST (nSET) of DFF10	31
[197:192]	IN0 of LUT3_8 or CLK Input of DFF11	32
[203:198]	IN1 of LUT3_8 or CLK Input of DFF11	33
[209:204]	IN2 of LUT3_8 or nRST (nSET) of DFF11	34

Table 22. Matrix Output Table (Cont.)

Register Bit Address	Matrix Output Signal Function	Matrix Output Number
[215:210]	IN0 of LUT3_12 or CLK Input of DFF16 Delay4 Input (or Counter4 nRST Input)	35
[221:216]	IN1 of LUT3_12 or nRST (nSET) of DFF16 Delay4 Input (or Counter4 nRST Input)	36
[227:222]	IN2 of LUT3_12 or Data of DFF16 Delay4 Input (or Counter4 nRST Input)	37
[233:228]	IN0 of LUT3_13 or CLK Input of DFF17 Delay5 Input (or Counter5 nRST Input)	38
[239:234]	IN1 of LUT3_13 or nRST (nSET) of DFF17 Delay5 Input (or Counter5 nRST Input)	39
[245:240]	IN2 of LUT3_13 or Data of DFF17 Delay5 Input (or Counter5 nRST Input)	40
[251:246]	IN0 of LUT3_14 or CLK Input of DFF18 Delay6 Input (or Counter6 nRST Input)	41
[257:252]	IN1 of LUT3_14 or nRST (nSET) of DFF18 Delay6 Input (or Counter6 nRST Input)	42
[263:258]	IN2 of LUT3_14 or Data of DFF18 Delay6 Input (or Counter6 nRST Input)	43
[269:264]	IN0 of LUT3_15 or CLK Input of DFF19 Delay7 Input (or Counter7 nRST Input)	44
[275:270]	IN1 of LUT3_15 or nRST (nSET) of DFF19 Delay7 Input (or Counter7 nRST Input)	45
[281:276]	IN2 of LUT3_15 or Data of DFF19 Delay7 Input (or Counter7 nRST Input)	46
[287:282]	IN0 of LUT3_16 or Input of Pipe Delay or UP signal of RIPP CNT	47
[293:288]	IN1 of LUT3_16 or nRST of Pipe Delay or nSET of RIPP CNT	48
[299:294]	IN2 of LUT3_16 or Clock of Pipe Delay_RIPP CNT	49
[305:300]	IN0 of LUT4_0 or CLK Input of DFF12	50
[311:306]	IN1 of LUT4_0 or Data of DFF12	51
[317:312]	IN2 of LUT4_0 or nRST (nSET) of DFF12	52
[323:318]	IN3 of LUT4_0	53
[329:324]	Programmable delay/edge detect input	54
[335:330]	Filter/Edge detect input	55
[341:336]	GPIO0 Digital Output	56
[347:342]	GPIO1 Digital Output	57
[353:348]	GPIO2 Digital Output	58
[359:354]	GPIO2 Digital Output OE	59
[365:360]	GPIO3, Digital Output	60
[371:366]	GPIO3, Digital Output OE	61

Table 22. Matrix Output Table (Cont.)

Register Bit Address	Matrix Output Signal Function	Matrix Output Number
[377:372]	GPO0 Digital Output	62
[383:378]	GPIO4 Digital Output	63
[389:384]	GPIO4 Digital Output OE	64
[395:390]	GPIO5 Digital Output	65
[401:396]	GPIO5 Digital Output OE	66
[407:402]	GPIO6 Digital Output	67
[413:408]	GPIO6 Digital Output OE	68
[419:414]	GPIO7 Digital Output	69
[425:420]	GPIO7 Digital Output OE	70
[431:426]	GPIO8 Digital Output	71
[437:432]	GPIO8 Digital Output OE	72
[443:438]	GPIO9, Digital Output	73
[449:444]	GPIO9 Digital Output OE	74
[455:450]	PWR UP of ACMP0_H	75
[461:456]	PWR UP of ACMP1_H	76
[467:462]	PWR UP of ACMP2_L	77
[473:468]	PWR UP of ACMP3_L	78
[479:474]	Temp sensor, Vref Out_0, Vref Out_1 Power Up	79
[485:480]	Oscillator0 ENABLE	80
[491:486]	Oscillator1 ENABLE	81
[497:492]	Oscillator2 ENABLE	82
[503:498]	IN0 of LUT4_1 or CLK Input of DFF20 Delay0 Input (or Counter0 nRST Input)	83
[509:504]	IN1 of LUT4_1 or nRST of DFF20 Delay0 Input (or Counter0 nRST Input)	84
[515:510]	IN2 of LUT4_1 or nSET of DFF20 Delay0 Input (or Counter0 nRST Input)	85
[521:516]	IN3 of LUT4_1 or Data of DFF20 Delay0 Input (or Counter0 nRST Input)	86
[527:522]	IN0 of LUT3_9 or CLK Input of DFF13 Delay1 Input (or Counter1 nRST Input)	87
[533:528]	IN1 of LUT3_9 or nRST (nSET) of DFF13 Delay1 Input (or Counter1 nRST Input)	88
[539:523]	IN2 of LUT3_9 or Data of DFF13 Delay1 Input (or Counter1 nRST Input)	89
[545:540]	IN0 of LUT3_10 or CLK Input of DFF14 Delay2 Input (or Counter2 nRST Input)	90
[551:546]	IN1 of LUT3_10 or nRST (nSET) of DFF14 Delay2 Input (or Counter2 nRST Input)	91

Table 22. Matrix Output Table (Cont.)

Register Bit Address	Matrix Output Signal Function	Matrix Output Number
[557:552]	IN2 of LUT3_10 or Data of DFF14 Delay2 Input (or Counter2 nRST Input)	92
[563:558]	IN0 of LUT3_11 or CLK Input of DFF15 Delay3 Input (or Counter3 nRST Input)	93
[569:564]	IN1 of LUT3_11 or nRST (nSET) of DFF15 Delay3 Input (or Counter3 nRST Input)	94
[575:570]	IN2 of LUT3_11 or Data of DFF15 Delay3 Input (or Counter3 nRST Input)	95

[1] For each Address, the two most significant bits are unused.

6.3 Connection Matrix Virtual Inputs

As mentioned previously, the Connection Matrix inputs come from the outputs of various digital macrocells on the device. Eight of the Connection Matrix inputs have the special characteristic that the state of these signal lines comes from a corresponding data bit written as a register value via I²C. This gives the user the ability to write data via the serial channel, and have this information translated into signals that can be driven into the Connection Matrix and from the Connection Matrix to the digital inputs of other macrocells on the device. The I²C address for reading and writing these register values is at byte 0x4C (076).

Six of the eight Connection Matrix Virtual Inputs are dedicated to this virtual input function. An I²C write command to these register bits will set the signal values going into the Connection Matrix to the desired state. A read command to these register bits will read either the original data values coming from the NVM memory bits (that were loaded during the initial device startup), or the values from a previous write command (if that has happened).

Two of the eight Connection Matrix Virtual Inputs are shared with Pin digital inputs (GPIO0 Digital or I²C_virtual_0 Input), and (GPIO1 Digital or I²C_virtual_1 Input). If the virtual input mode is selected, an I²C write command to these register bits will set the signal values going into the Connection Matrix to the desired state. A read command to these register bits will read either the original data values coming from the NVM memory bits (that were loaded during the initial device startup), or the values from a previous write command (if that has happened). The I²C disable/enable register bit [2032] selects whether the Connection Matrix input comes from the Pin input or from the virtual register:

- Select SCL & Virtual Input 0 or GPIO0
- Select SDA & Virtual Input 1 or GPIO1

See [Table 23](#) for Connection Matrix Virtual Inputs..

Table 23. Connection Matrix Virtual Inputs

Matrix Input Number	Matrix Input Signal Function	Register Bit Addresses (d)
32	I ² C_virtual_0 Input	[608]
33	I ² C_virtual_1 Input	[609]
34	I ² C_virtual_2 Input	[610]
35	I ² C_virtual_3 Input	[611]

Table 23. Connection Matrix Virtual Inputs (Cont.)

Matrix Input Number	Matrix Input Signal Function	Register Bit Addresses (d)
36	I ² C_virtual_4 Input	[612]
37	I ² C_virtual_5 Input	[613]
38	I ² C_virtual_6 Input	[614]
39	I ² C_virtual_7 Input	[615]

6.4 Connection Matrix Virtual Outputs

The digital outputs of the various macrocells are routed to the Connection Matrix to enable interconnections to the inputs of other macrocells in the device. At the same time, it is possible to read the state of each of the macrocell outputs as a register value via I²C. This option, called Connection Matrix Virtual Outputs, allows the user to remotely read the values of each macrocell output. The I²C addresses for reading these register values are bytes 0x48 (072) to 0x4F (079). Write commands to these same register values will be ignored (with the exception of the Virtual Input register bits at byte 0x4C (076)).

7. Combination Function Macrocells

The SLG46857-A has 15 combination function macrocells that can serve more than one logic or timing function. In each case, they can serve as a Look Up Table (LUT), or as another logic or timing function. See the list below for the functions that can be implemented in these macrocells.

- Three macrocells that can serve as either 2-bit LUT or as D Flip-Flop
- Nine macrocells that can serve as either 3-bit LUTs or as D Flip-Flops with Set/Reset Input
- One macrocell that can serve as either 3-bit LUT or as Pipe Delay/Ripple Counter
- One macrocell that can serve as either 2-bit LUT or as Programmable Pattern Generator (PGen)
- One macrocell that can serve as either 4-bit LUT or as D Flip-Flop with Set/Reset Input

Inputs/Outputs for the 15 combination function macrocells are configured from the connection matrix with specific logic functions being defined by the state of configuration bits.

When used as a LUT to implement combinatorial logic functions, the outputs of the LUTs can be configured to any user defined function, including the following standard digital logic devices (AND, NAND, OR, NOR, XOR, XNOR).

7.1 2-Bit LUT or D Flip-Flop Macrocells

There are three macrocells that can serve as either 2-bit LUT or as D Flip-Flop. When used to implement LUT functions, the 2-bit LUT takes in two input signals from the connection matrix and produce a single output, which goes back into the connection matrix. When used to implement D Flip-Flop function, the two input signals from the connection matrix go to the data (D) and clock (CLK) inputs for the Flip-Flop, with the output going back to the connection matrix.

The operation of the D Flip-Flop and LATCH will follow the functional descriptions below:

DFF: CLK is rising edge triggered, then Q = D; otherwise Q will not change

LATCH: when CLK is LOW, then Q = D; otherwise Q remains its previous value (input D has no effect on the output, when CLK is HIGH).

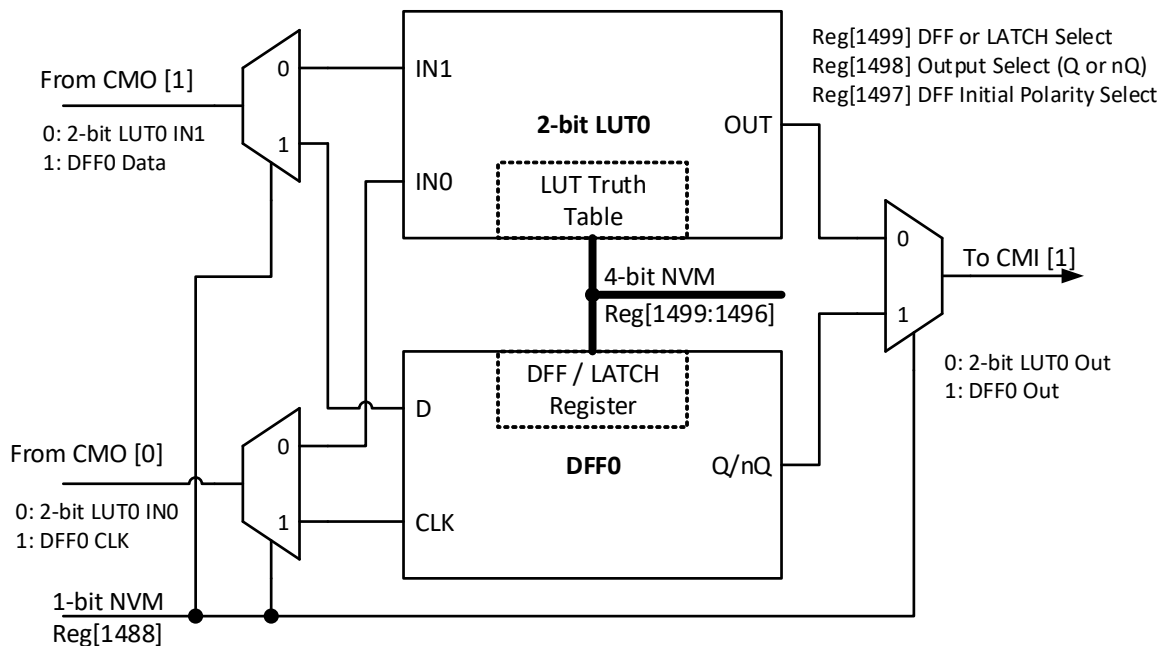


Figure 20. 2-bit LUT0 or DFF0

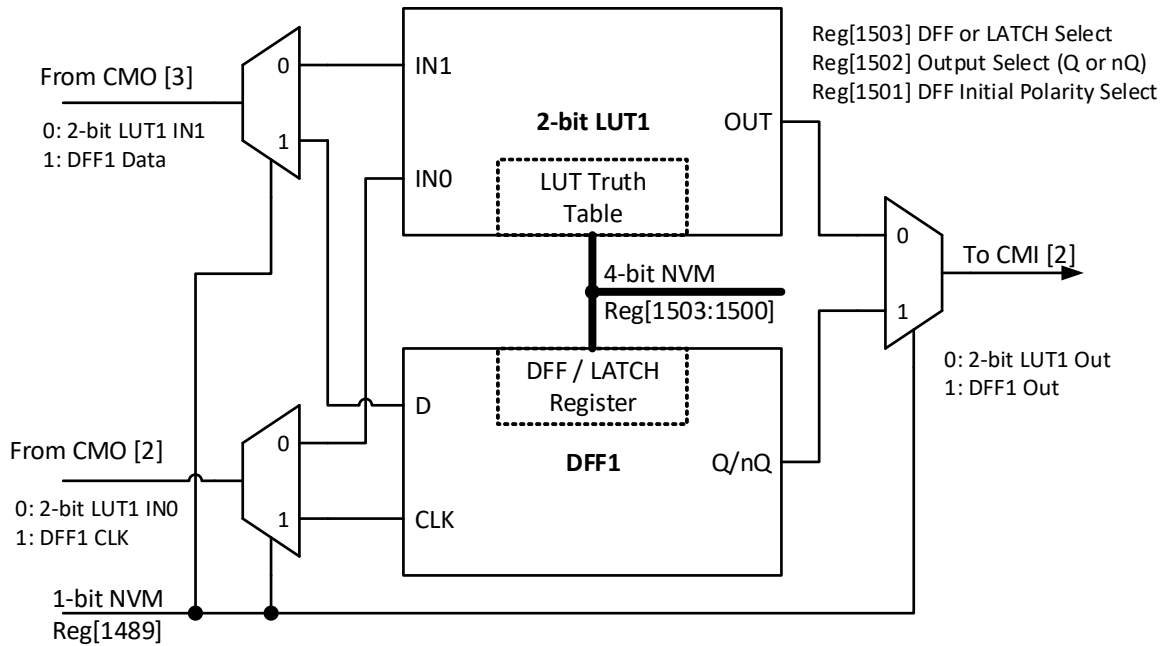


Figure 21. 2-bit LUT1 or DFF1

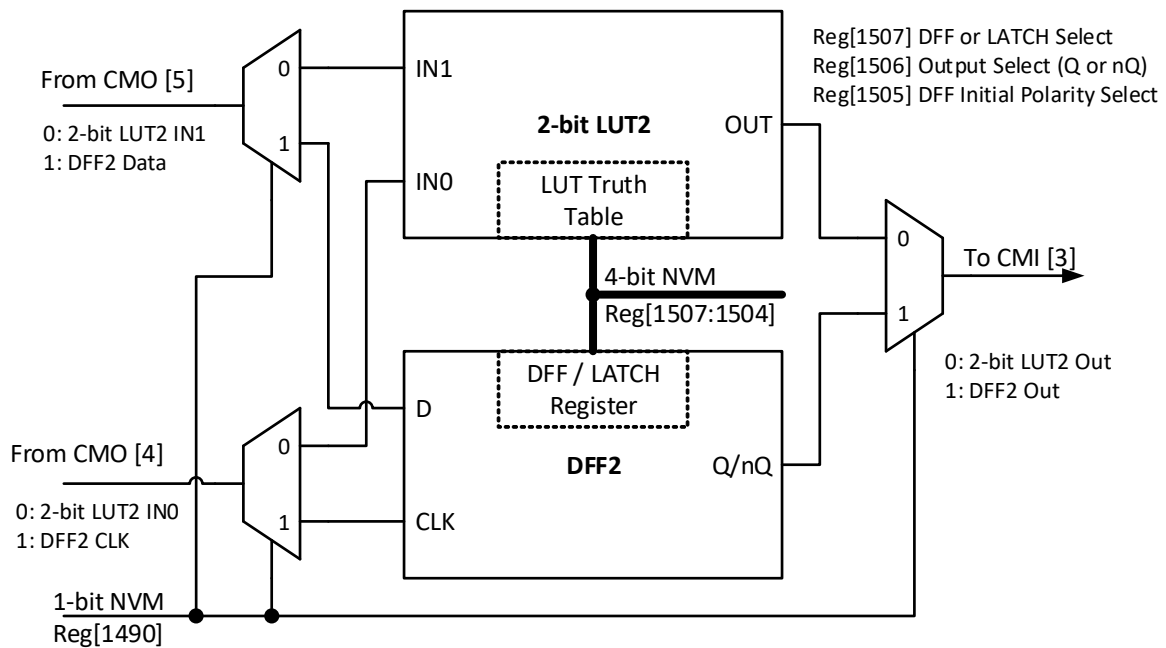


Figure 22. 2-bit LUT2 or DFF2

7.1.1 2-Bit LUT or D Flip-Flop Macrocell Used as 2-Bit LUT

Table 24. 2-bit LUT0 Truth Table

IN1	IN0	OUT	
0	0	register [1496]	LSB
0	1	register [1497]	
1	0	register [1498]	
1	1	register [1499]	MSB

Table 25. 2-bit LUT1 Truth Table

IN1	IN0	OUT	
0	0	register [1500]	LSB
0	1	register [1501]	
1	0	register [1502]	
1	1	register [1503]	MSB

Table 26. 2-bit LUT2 Truth Table

IN1	IN0	OUT	
0	0	register [1504]	LSB
0	1	register [1505]	
1	0	register [1506]	
1	1	register [1507]	MSB

This macrocell, when programmed for a LUT function, uses a 4-bit register to define their output function:

2-bit LUT0 is defined by registers [1499:1496]

2-bit LUT1 is defined by registers [1503:1500]

2-bit LUT2 is defined by registers [1507:1504]

Table 27 shows the register bits for the standard digital logic devices (AND, NAND, OR, NOR, XOR, XNOR) that can be created within each of the 2-bit LUT logic cells.

Table 27. 2-bit LUT Standard Digital Functions

Function	MSB			LSB
AND-2	1	0	0	0
NAND-2	0	1	1	1
OR-2	1	1	1	0
NOR-2	0	0	0	1
XOR-2	0	1	1	0
XNOR-2	1	0	0	1

7.1.2 Initial Polarity Operations

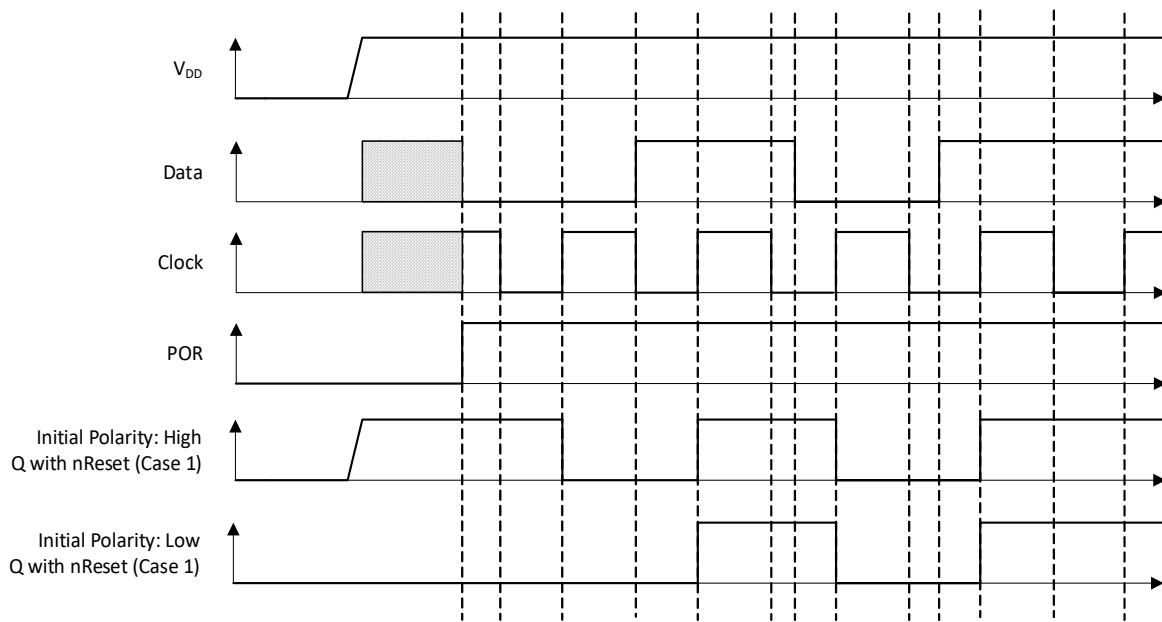


Figure 23. DFF Polarity Operations

7.2 2-bit LUT or Programmable Pattern Generator

The SLG46857-A has one combination function macrocell that can serve as a logic or timing function. This macrocell can serve as a Look Up Table (LUT), or a Programmable Pattern Generator (PGen).

When used to implement LUT functions, the 2-bit LUT takes in two input signals from the connection matrix and produces a single output, which goes back into the connection matrix. When used as a LUT to implement combinatorial logic functions, the outputs of the LUT can be configured to any user defined function, including the following standard digital logic devices (AND, NAND, OR, NOR, XOR, XNOR). The user can also define the combinatorial relationship between inputs and outputs to be any selectable function.

It is possible to define the RST level for the PGen macrocell. There are both high level reset (RST) and a low level reset (nRST) options available, which are selected by register [1409]. When operating as a Programmable Pattern Generator, the output of the macrocell will clock out a sequence of two to sixteen bits that are user selectable in their bit values, and user selectable in the number of bits (up to sixteen) that are output before the pattern repeats.

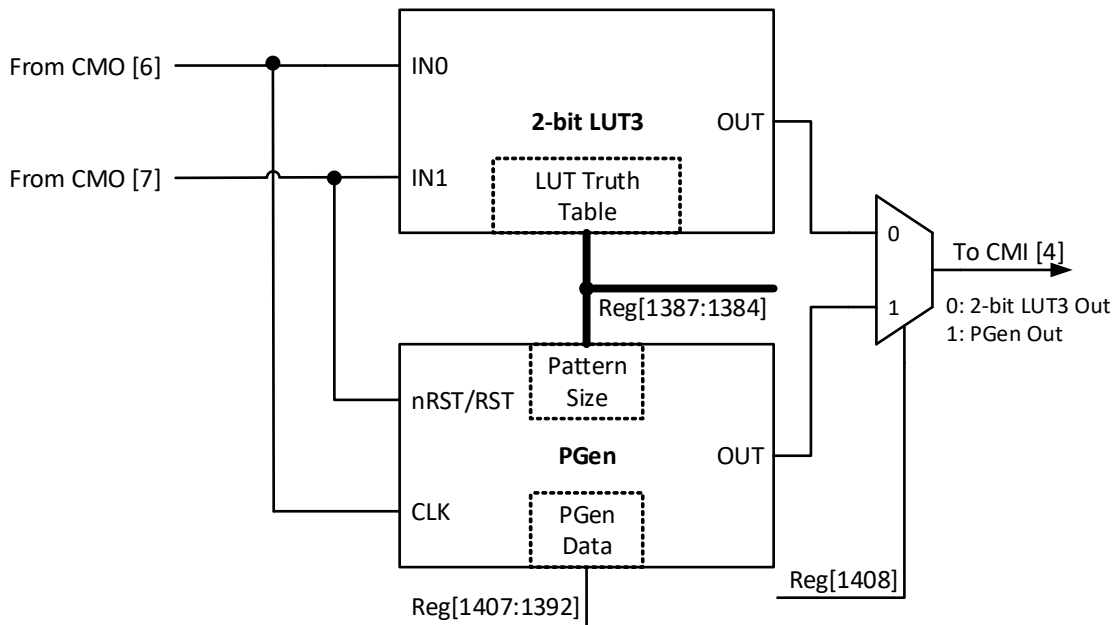


Figure 24. 2-bit LUT3 or PGen

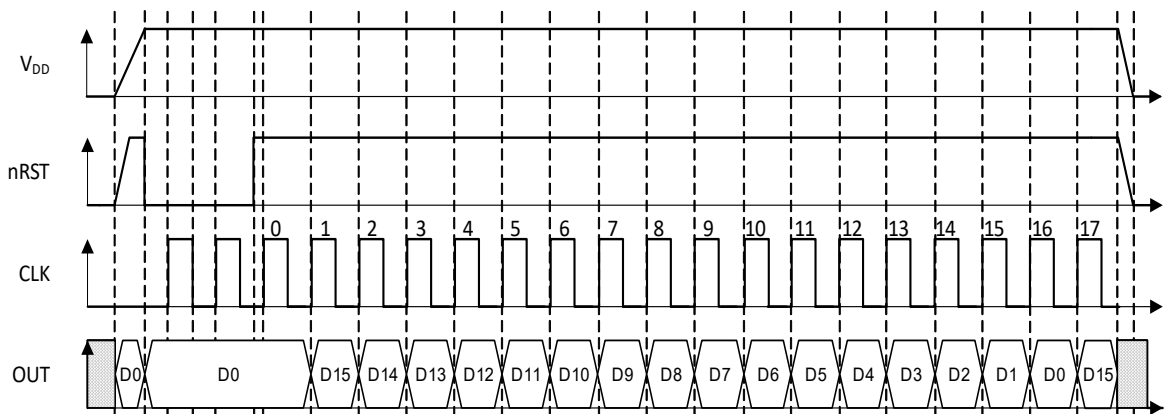


Figure 25. PGen Timing Diagram

7.2.1 2-Bit LUT or PGen Macrocell Used as 2-Bit LUT

Table 28. 2-bit LUT1 Truth Table

IN1	IN0	OUT	
0	0	register [1384]	LSB
0	1	register [1385]	
1	0	register [1386]	
1	1	register [1387]	MSB

This macrocell, when programmed for a LUT function, uses a 4-bit register to define their output function:

2-bit LUT3 is defined by registers [1387:1384]

Table 29 shows the register bits for the standard digital logic devices (AND, NAND, OR, NOR, XOR, XNOR) that can be created within each of the 2-bit LUT logic cells.

Table 29. 2-bit LUT Standard Digital Functions

Function	MSB			LSB
AND-2	1		0	0
NAND-2	0		1	1
OR-2	1		1	0
NOR-2	0		0	1
XOR-2	0		1	0
XNOR-2	1		0	1

7.3 3-Bit LUT or D Flip-Flop with Set/Reset Macrocells

There are nine macrocells that can serve as either 3-bit LUTs or as D Flip-Flops with Set/Reset inputs. When used to implement LUT functions, the 3-bit LUTs each take in three input signals from the connection matrix and produce a single output, which goes back into the connection matrix. When used to implement D Flip-Flop function, the three input signals from the connection matrix go to the data (D) and clock (CLK), and Reset/Set (nRST/nSET) inputs for the Flip-Flop, with the output going back to the connection matrix. It is possible to define the active level for the reset/set input of DFF/LATCH macrocell. There are both active high level reset/set (RST/SET) and active low level reset/set (nRST/nSET) options available which are selected by register [1442].

DFF3 operation will flow the functional description below:

- If register [1444] = 0, and the CLK is rising edge triggered, then Q = D, otherwise Q will not change.
- If register [1444] = 1, then data from D is written into the DFF by the rising edge on CLK and output to Q by the falling edge on CLK.

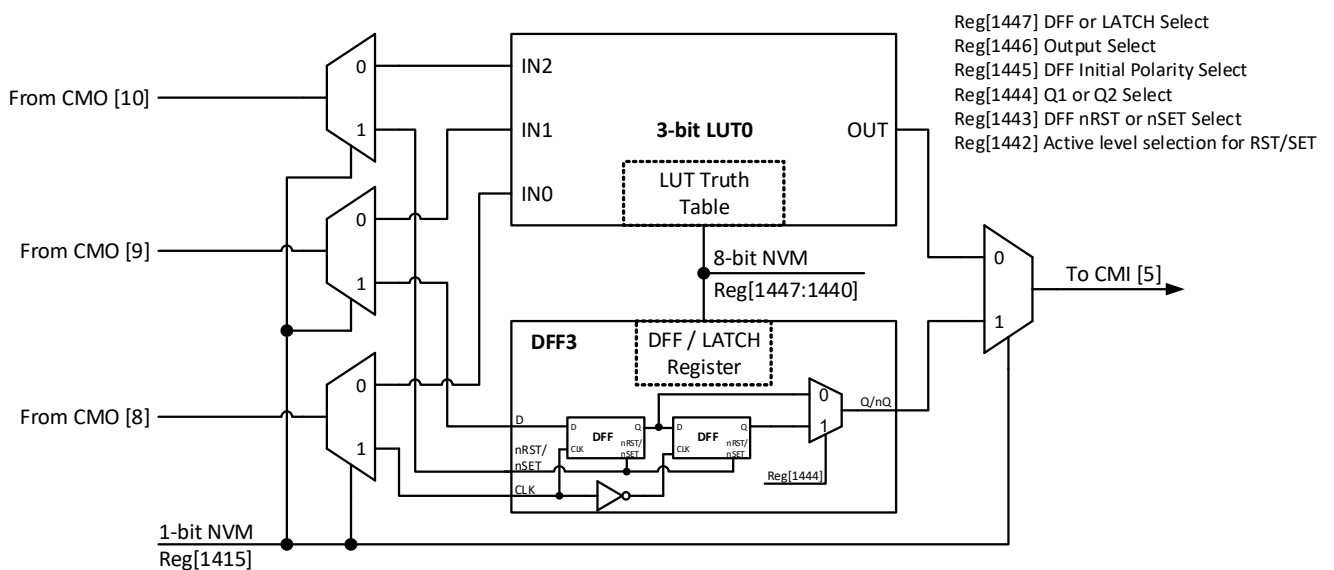


Figure 26. 3-bit LUT0 or DFF3

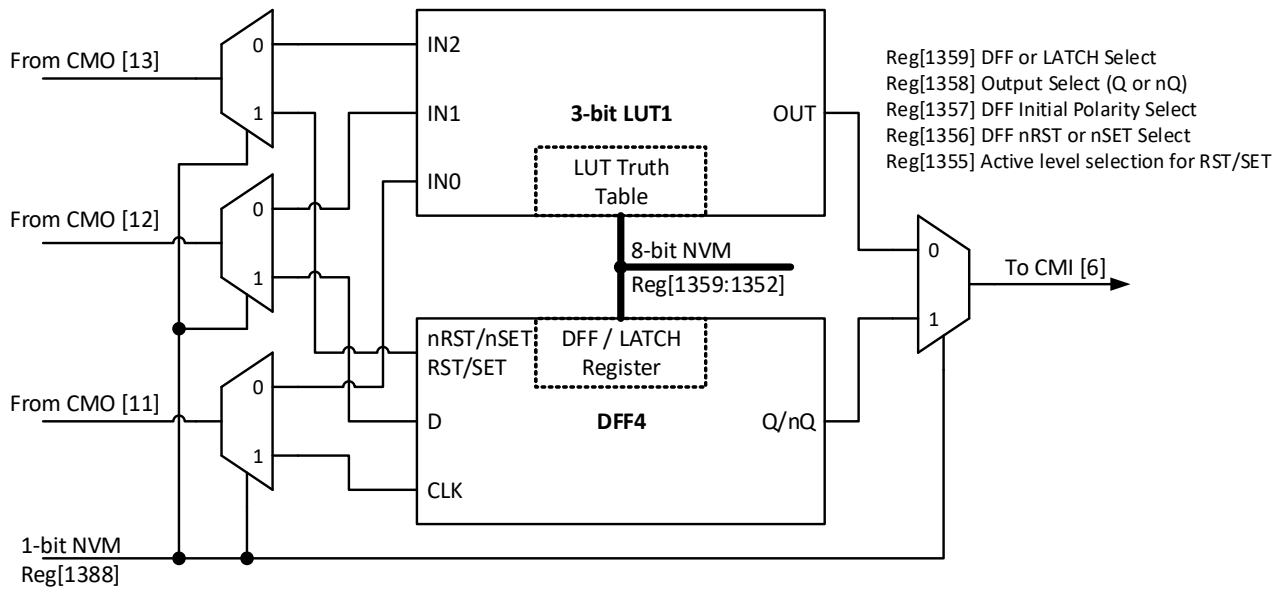


Figure 27. 3-bit LUT1 or DFF4

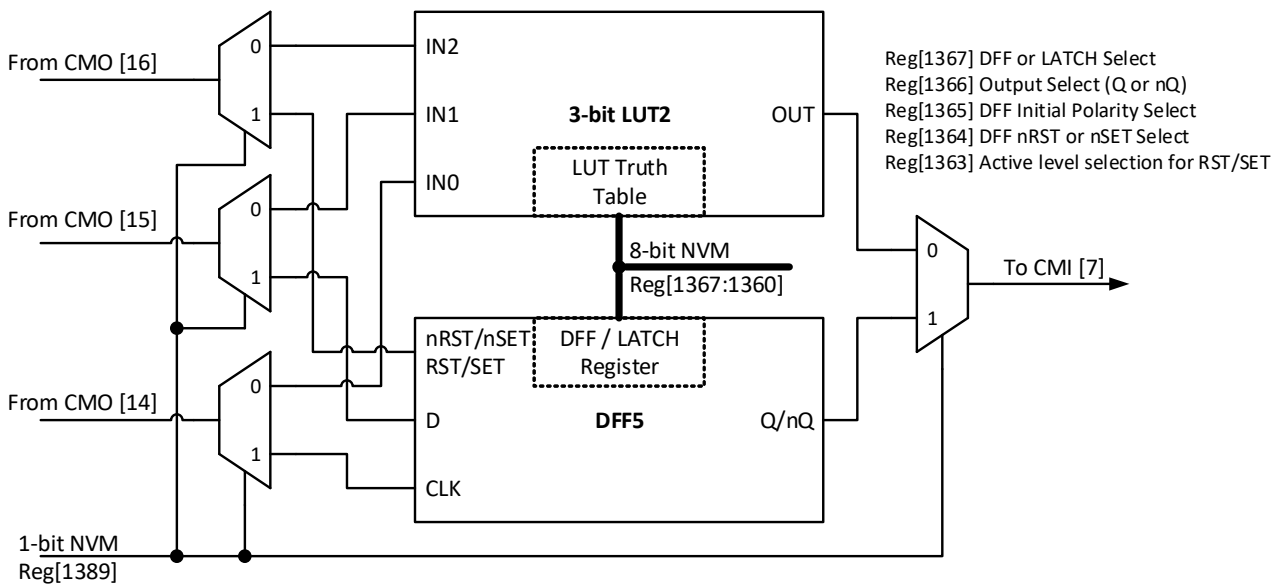


Figure 28. 3-bit LUT2 or DFF5

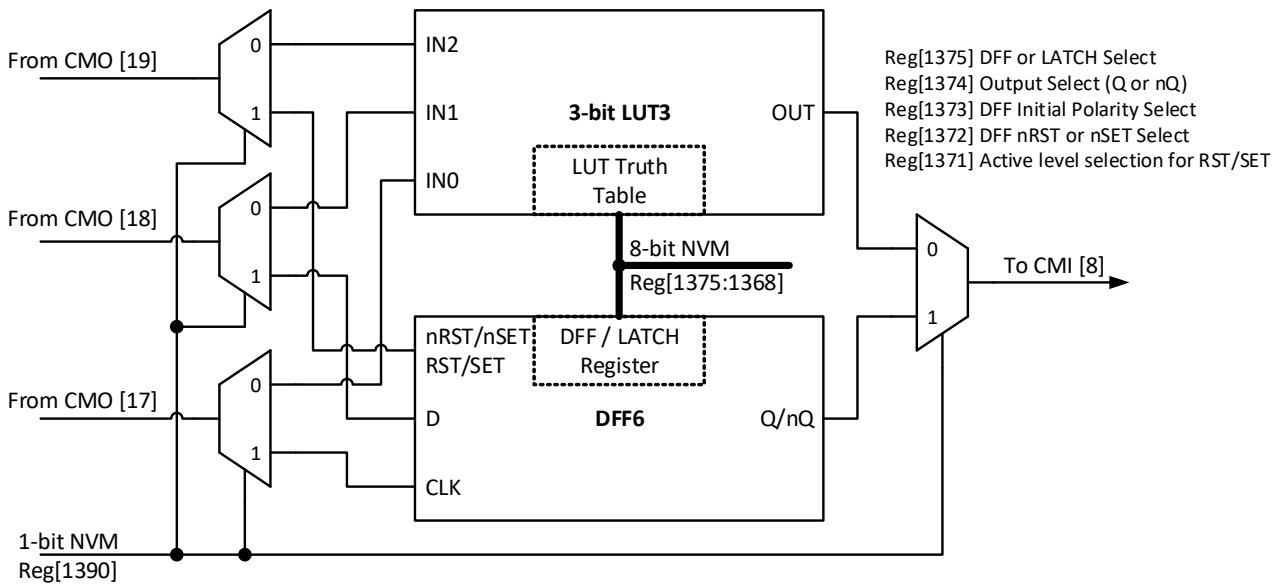


Figure 29. 3-bit LUT3 or DFF6

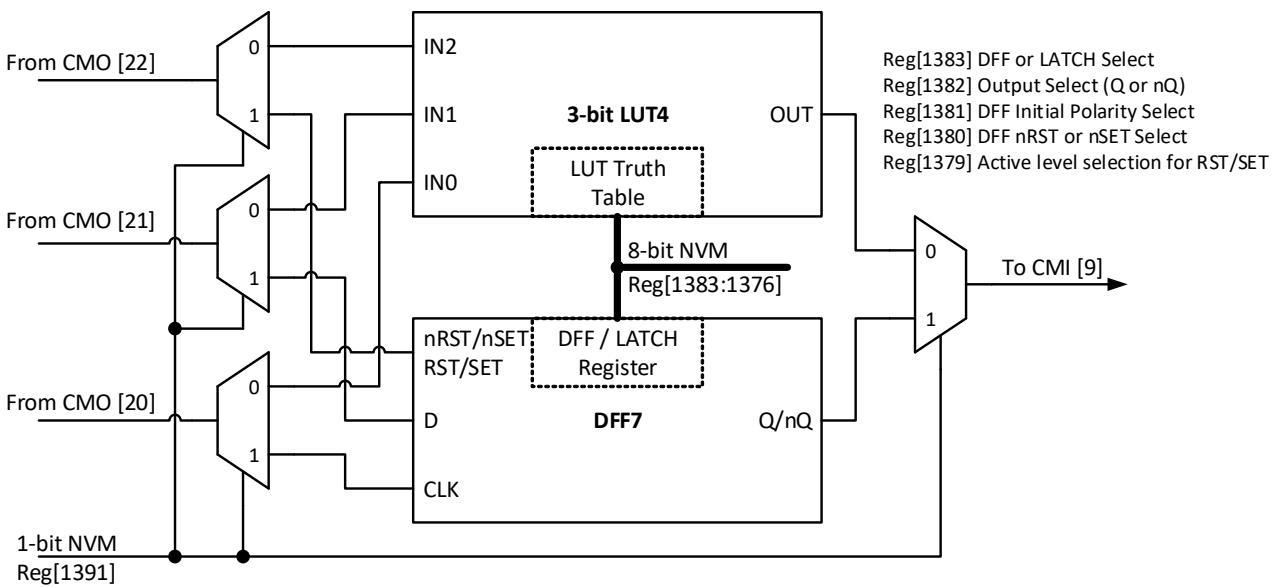


Figure 30. 3-bit LUT4 or DFF7

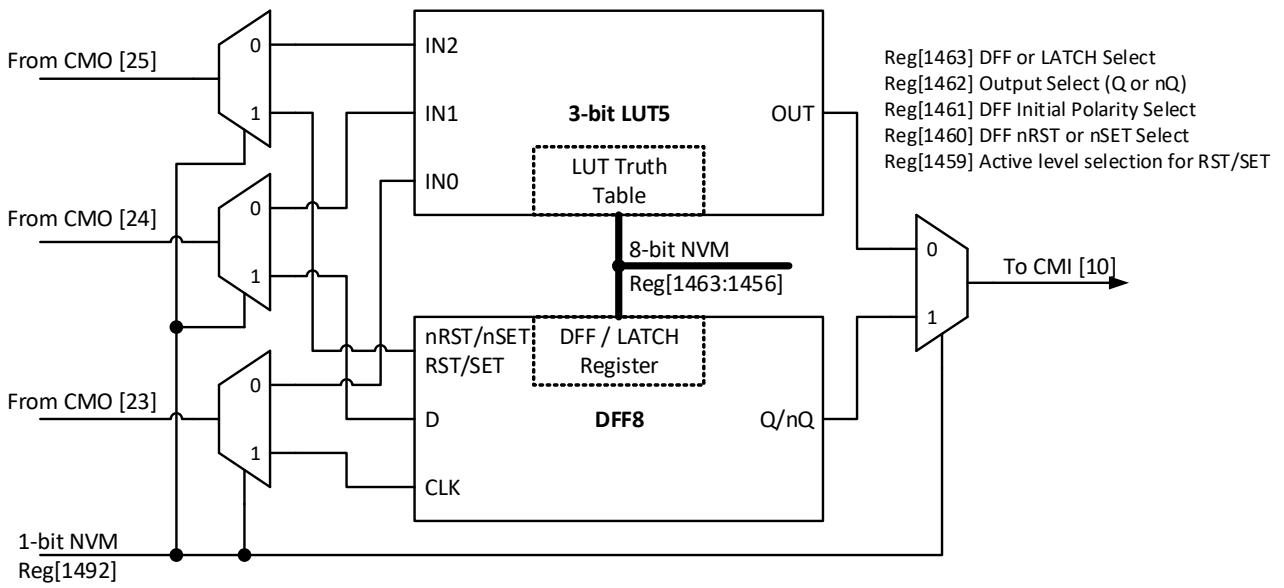


Figure 31. 3-bit LUT5 or DFF8

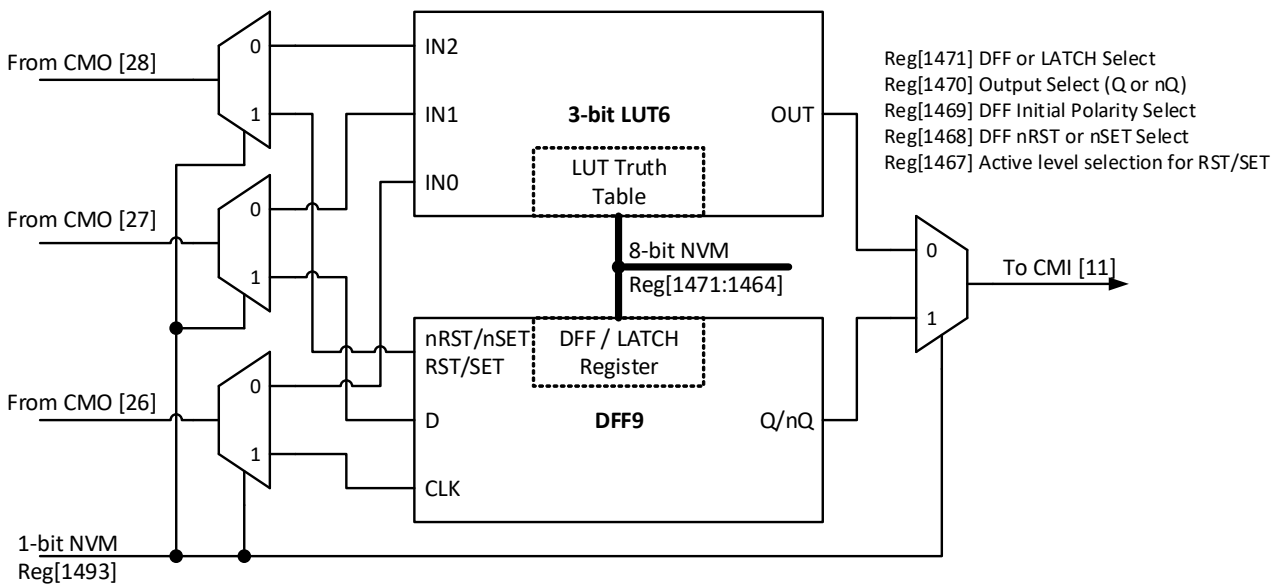


Figure 32. 3-bit LUT6 or DFF9

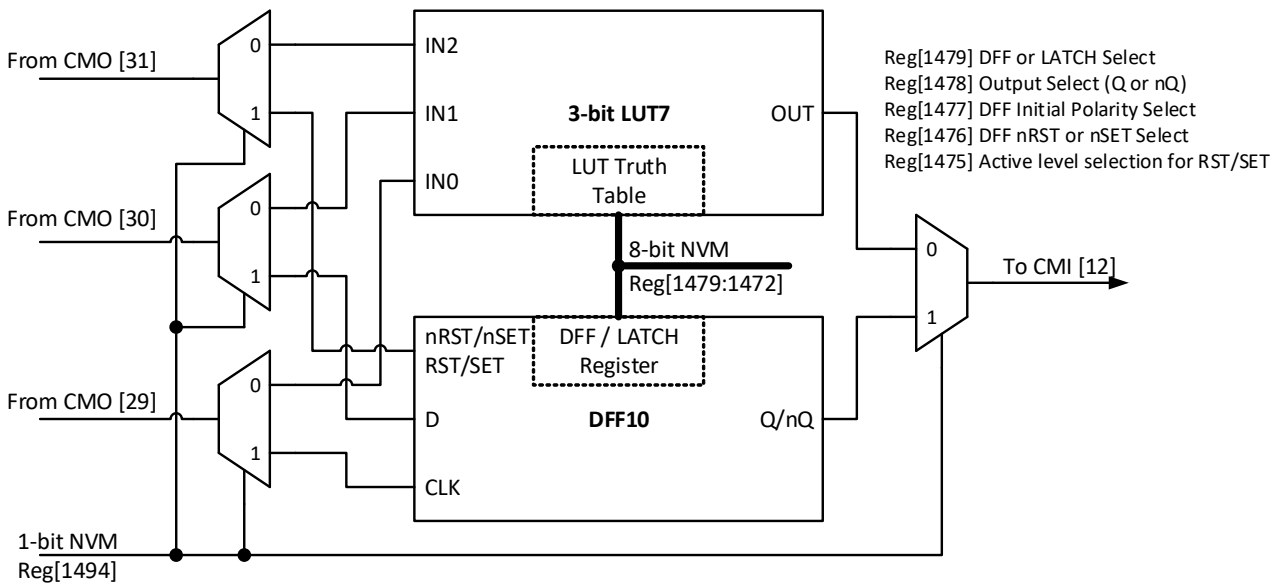


Figure 33. 3-bit LUT7 or DFF10

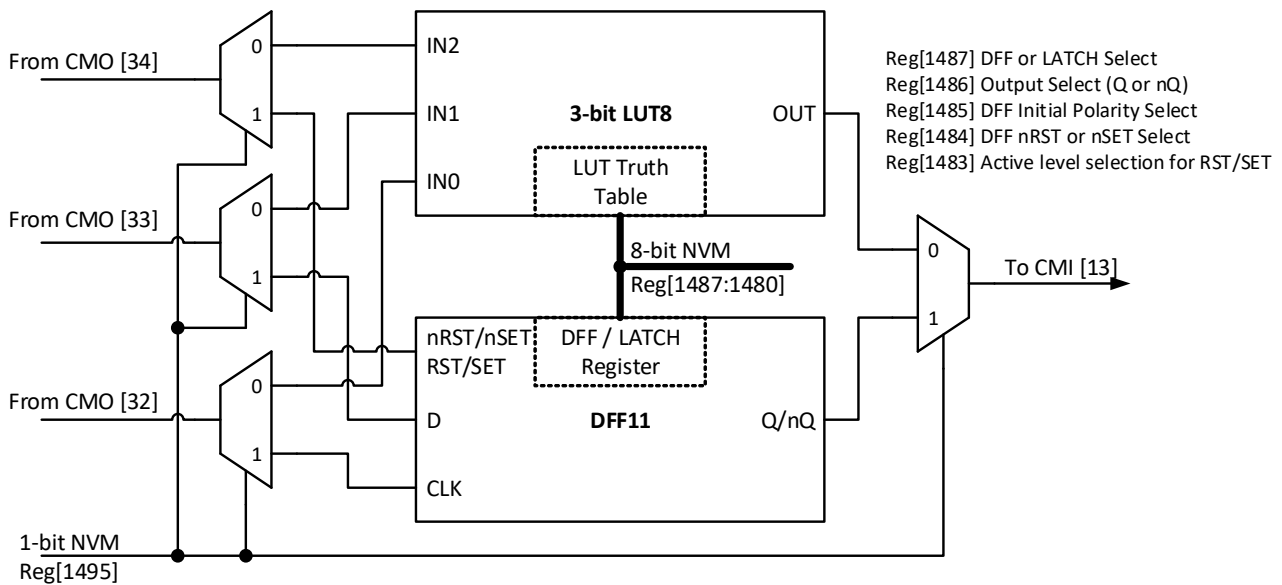


Figure 34. 3-bit LUT8 or DFF11

7.3.1 3-Bit LUT or D Flip-Flop Macrocells Used as 3-Bit LUTs

Table 30. 3-bit LUT0 Truth Table

IN2	IN1	IN0	OUT	
0	0	0	register [1440]	LSB
0	0	1	register [1441]	
0	1	0	register [1442]	
0	1	1	register [1443]	
1	0	0	register [1444]	
1	0	1	register [1445]	
1	1	0	register [1446]	
1	1	1	register [1447]	MSB

Table 31. 3-bit LUT1 Truth Table

IN2	IN1	IN0	OUT	
0	0	0	register [1352]	LSB
0	0	1	register [1353]	
0	1	0	register [1354]	
0	1	1	register [1355]	
1	0	0	register [1356]	
1	0	1	register [1357]	
1	1	0	register [1358]	
1	1	1	register [1359]	MSB

Table 32. 3-bit LUT2 Truth Table

IN2	IN1	IN0	OUT	
0	0	0	register [1360]	LSB
0	0	1	register [1361]	
0	1	0	register [1362]	
0	1	1	register [1363]	
1	0	0	register [1364]	
1	0	1	register [1365]	
1	1	0	register [1366]	
1	1	1	register [1367]	MSB

Table 33. 3-bit LUT3 Truth Table

IN2	IN1	IN0	OUT	
0	0	0	register [1368]	LSB
0	0	1	register [1369]	
0	1	0	register [1370]	
0	1	1	register [1371]	
1	0	0	register [1372]	
1	0	1	register [1373]	
1	1	0	register [1374]	
1	1	1	register [1375]	MSB

Table 34. 3-bit LUT4 Truth Table

IN2	IN1	IN0	OUT	
0	0	0	register [1376]	LSB
0	0	1	register [1377]	
0	1	0	register [1378]	
0	1	1	register [1379]	
1	0	0	register [1380]	
1	0	1	register [1381]	
1	1	0	register [1382]	
1	1	1	register [1383]	MSB

Table 35. 3-bit LUT5 Truth Table

IN2	IN1	IN0	OUT	
0	0	0	register [1356]	LSB
0	0	1	register [1357]	
0	1	0	register [1358]	
0	1	1	register [1359]	
1	0	0	register [1360]	
1	0	1	register [1361]	
1	1	0	register [1362]	
1	1	1	register [1363]	MSB

Table 36. 3-bit LUT6 Truth Table

IN2	IN1	IN0	OUT	
0	0	0	register [1364]	LSB
0	0	1	register [1365]	
0	1	0	register [1366]	
0	1	1	register [1367]	
1	0	0	register [1368]	
1	0	1	register [1369]	
1	1	0	register [1370]	
1	1	1	register [1371]	MSB

Table 37. 3-bit LUT7 Truth Table

IN2	IN1	IN0	OUT	
0	0	0	register [1472]	LSB
0	0	1	register [1473]	
0	1	0	register [1474]	
0	1	1	register [1475]	
1	0	0	register [1476]	
1	0	1	register [1477]	
1	1	0	register [1478]	
1	1	1	register [1479]	MSB

Table 38. 3-bit LUT8 Truth Table

IN2	IN1	IN0	OUT	
0	0	0	register [1480]	LSB
0	0	1	register [1481]	
0	1	0	register [1482]	
0	1	1	register [1483]	
1	0	0	register [1484]	
1	0	1	register [1485]	
1	1	0	register [1486]	
1	1	1	register [1487]	MSB

Each macrocell, when programmed for a LUT function, uses a 8-bit register to define their output function:

3-bit LUT0 is defined by registers [1447:1440]

3-bit LUT1 is defined by registers [1359:1352]

3-bit LUT2 is defined by registers [1367:1360]

3-bit LUT3 is defined by registers [1375:1368]

3-bit LUT4 is defined by registers [1383:1376]

3-bit LUT5 is defined by registers [1463:1456]

3-bit LUT6 is defined by registers [1471:1464]

3-bit LUT7 is defined by registers [1479:1472]

3-bit LUT8 is defined by registers [1487:1480]

Table 39 shows the register bits for the standard digital logic devices (AND, NAND, OR, NOR, XOR, XNOR) that can be created within each of the four 3-bit LUT logic cells.

Table 39. 3-bit LUT Standard Digital Functions

Function	MSB							LSB
AND-3	1	0	0	0	0	0	0	0
NAND-3	0	1	1	1	1	1	1	1
OR-3	1	1	1	1	1	1	1	0
NOR-3	0	0	0	0	0	0	0	1
XOR-3	1	0	0	1	0	1	1	0
XNOR-3	0	1	1	0	1	0	0	1

7.3.2 Initial Polarity Operations

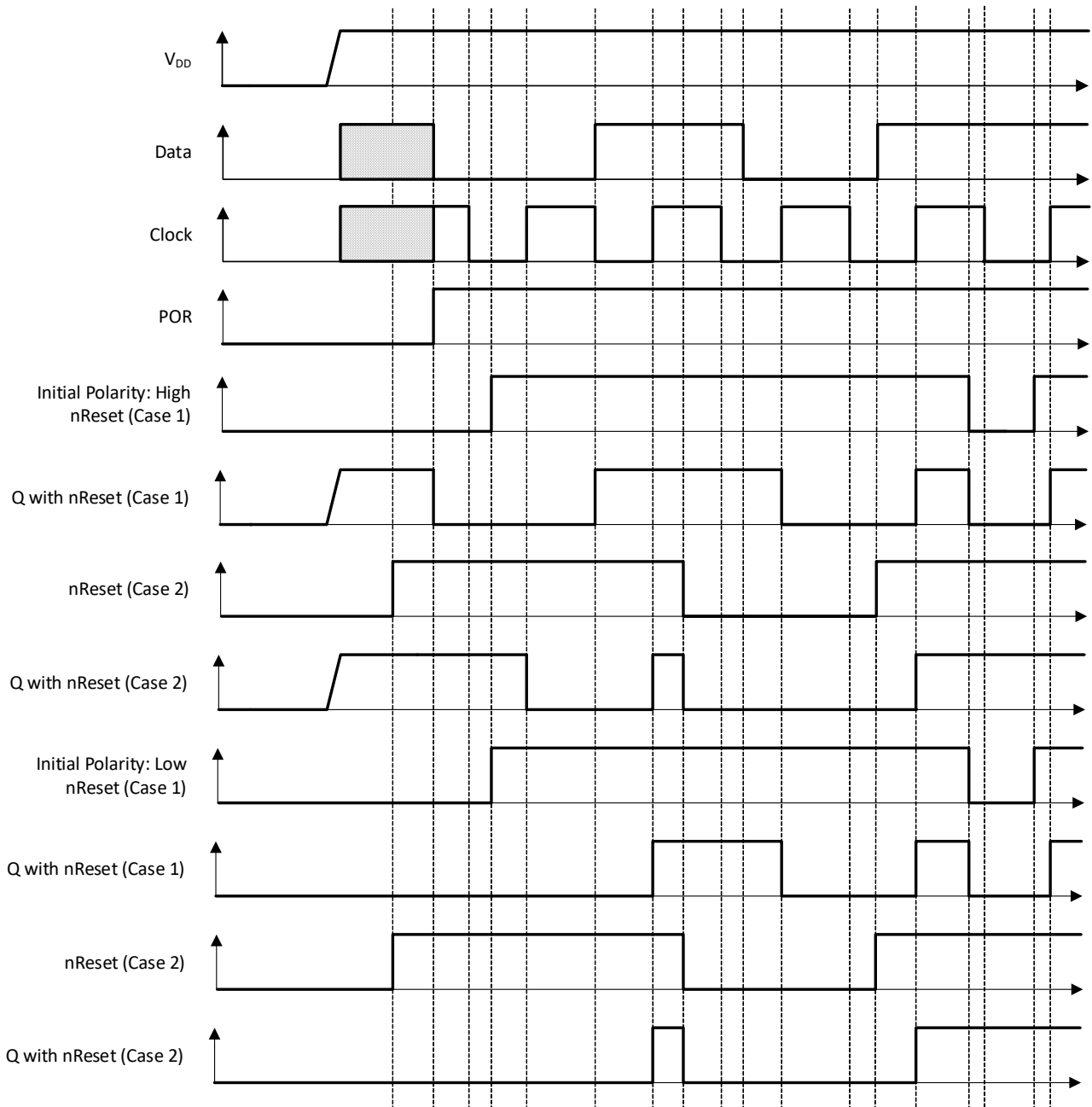


Figure 35. DFF Polarity Operations with nReset

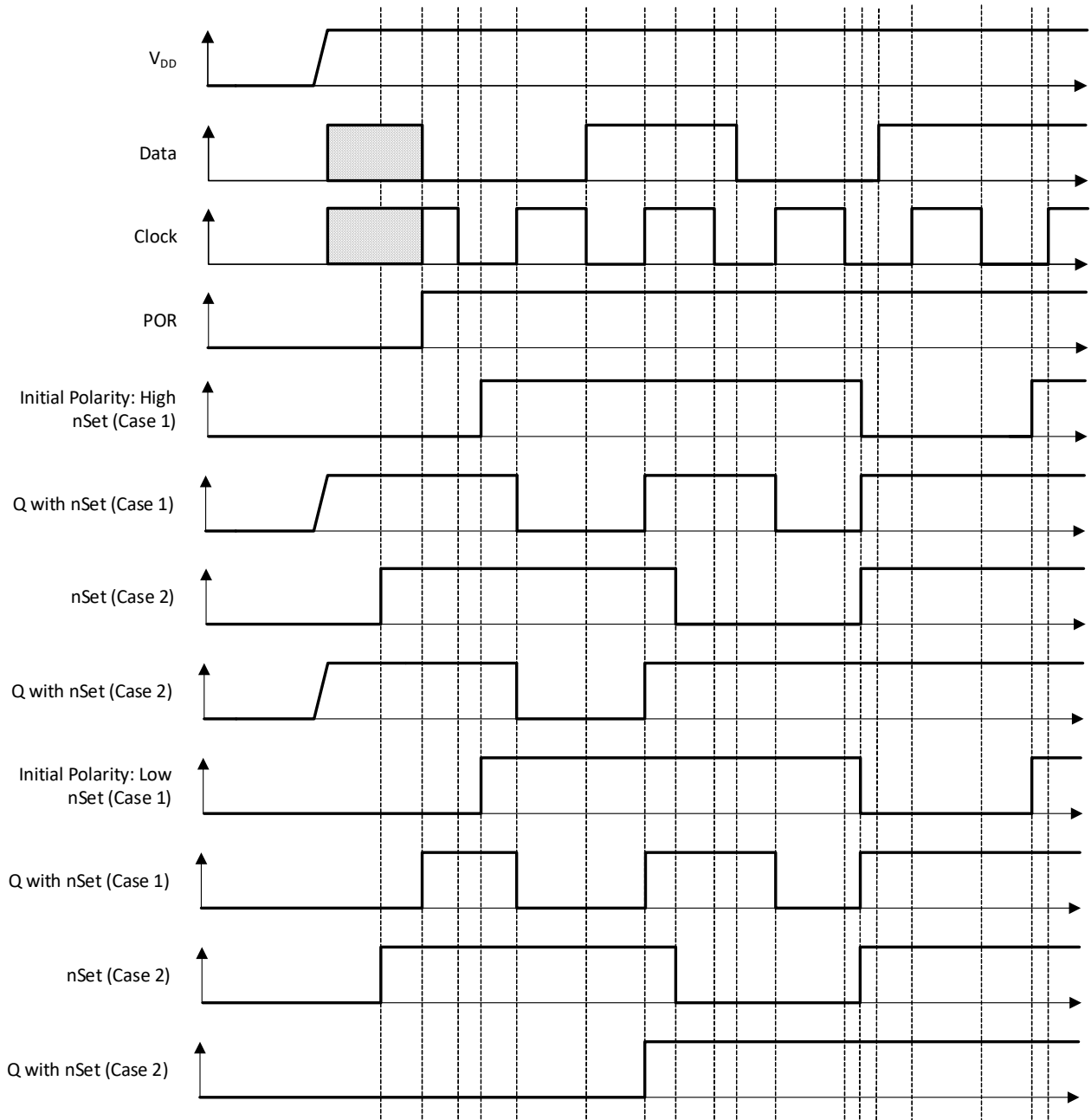


Figure 36. DFF Polarity Operations with nSet

7.4 4-Bit LUT or D Flip-Flop with Set/Reset Macrocell

There is one macrocell that can serve as either a 4-bit LUT or as a D Flip-Flop with Set/Reset inputs. When used to implement LUT functions, the 4-bit LUT takes in four input signals from the connection matrix and produce a single output, which goes back into the connection matrix. When used to implement D Flip-Flop function, the input signals from the connection matrix go to the data (D) and clock (CLK), and Reset/Set (nRST/nSET) inputs for the Flip-Flop, with the output going back to the connection matrix.

- If register [1436] = 0, and the CLK is rising edge triggered, then Q = D, otherwise Q will not change.

- If register [1436] = 1, then data from D is written into the DFF by the rising edge on CLK and output to Q by the falling edge on CLK.

It is possible to define the active level for the reset/set input of DFF/LATCH macrocell. There are both active high level reset/set (RST/SET) and active low level reset/set (nRST/nSET) options available which are selected by register [1434].

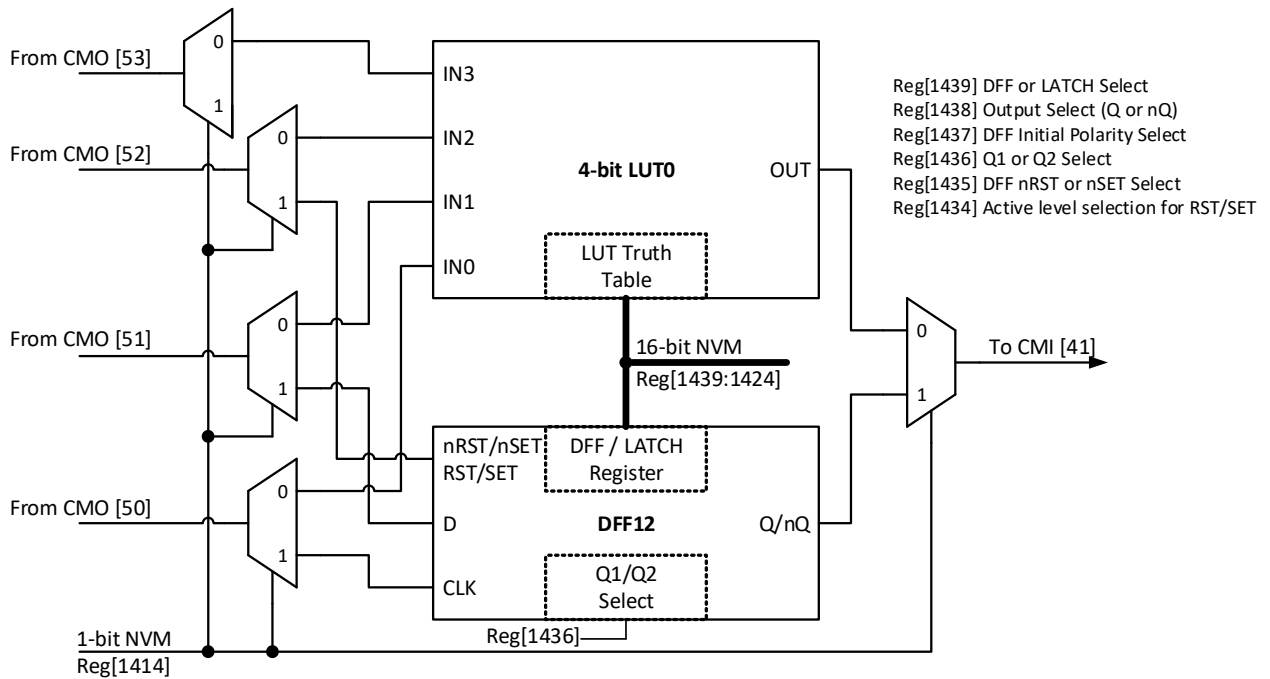


Figure 37. 4-bit LUT0 or DFF12

7.4.1 4-Bit LUT Macrocell Used as 4-Bit LUT

Table 40. 4-bit LUT0 Truth Table

IN3	IN2	IN1	IN0	OUT	
0	0	0	0	register [1424]	LSB
0	0	0	1	register [1425]	
0	0	1	0	register [1426]	
0	0	1	1	register [1427]	
0	1	0	0	register [1428]	
0	1	0	1	register [1429]	
0	1	1	0	register [1430]	
0	1	1	1	register [1431]	
1	0	0	0	register [1432]	
1	0	0	1	register [1433]	
1	0	1	0	register [1434]	
1	0	1	1	register [1435]	
1	1	0	0	register [1436]	
1	1	0	1	register [1437]	
1	1	1	0	register [1438]	
1	1	1	1	register [1439]	MSB

This macrocell, when programmed for a LUT function, uses a 16-bit register to define their output function:

4-bit LUT0 is defined by registers [1439:1424]

Table 41. 4-bit LUT Standard Digital Functions

Function	MSB															LSB
AND-4	1	0	0	0	0	0	0	0	0	0	0	0	0	0	0	0
NAND-4	0	1	1	1	1	1	1	1	1	1	1	1	1	1	1	1
OR-4	1	1	1	1	1	1	1	1	1	1	1	1	1	1	1	0
NOR-4	0	0	0	0	0	0	0	0	0	0	0	0	0	0	0	1
XOR-4	0	1	1	0	1	0	0	1	1	0	0	1	0	1	1	0
XNOR-4	1	0	0	1	0	1	1	0	0	1	1	0	1	0	0	1

7.5 3-bit LUT or Pipe Delay/Ripple Counter Macrocell

There is one macrocell that can serve as either a 3-bit LUT or as a Pipe Delay/Ripple Counter.

When used to implement LUT functions, the 3-bit LUT takes in three input signals from the connection matrix and produces a single output, which goes back into the connection matrix.

When used as a Pipe Delay, there are three inputs signals from the matrix, Input (IN), Clock (CLK), and Reset (nRST). The Pipe Delay cell is built from 16 D Flip-Flop logic cells that provide the three delay options, two of which are user selectable. The DFF cells are tied in series where the output (Q) of each delay cell goes to the next DFF cell input (IN). Both of the two outputs (OUT0 and OUT1) provide user selectable options for 1 – 16 stages of delay. There are delay output points for each set of the OUT0 and OUT1 outputs to a 4-input mux that is controlled

by registers [1419:1416] for OUT0 and registers [1423:1420] for OUT1. The 4-input mux is used to control the selection of the amount of delay.

The overall time of the delay is based on the clock used in the SLG46857-A design. Each DFF cell has a time delay of the inverse of the clock time (either external clock or the internal Oscillator within the SLG46857-A). The sum of the number of DFF cells used will be the total time delay of the Pipe Delay logic cell. OUT1 Output can be inverted (as selected by register [1413]).

In the Ripple Counter mode there are 3 options for setting which use 7 bits. There are 3 bits to set **nSET value (SV)** in range from 0 to 7. This value will be set into the Ripple Counter outputs when nSET input goes LOW. **End value (EV)** will use 3 bits for setting output code, which will be last code in the cycle. After reaching the EV, the Ripple Counter goes to the first code by the rising edge on CLK input. The **Functionality mode** option uses 1 bit. This setting defines how exactly Ripple Counter will operate.

The user can select one of the functionality modes by register: RANGE or FULL. If the RANGE option is selected, the count starts from SV. If UP input is LOW the count goes down: $SV \rightarrow EV \rightarrow EV-1$ to $SV+1 \rightarrow SV$, and others (if SV is smaller than EV), or $SV \rightarrow SV-1$ to $EV+1 \rightarrow EV \rightarrow SV$ (if SV is bigger than EV). If UP input is HIGH, count starts from SV up to EV, and others.

In the FULL range configuration the Ripple Counter functions as follows. If UP input is LOW, the count starts from SV and goes down to 0. Then current counter value jumps to EV and goes down to 0, and others.

If UP input is HIGH, count goes up starting from SV. Then current counter value jumps to 0 and counts up to EV, and others. See Ripple Counter functionality example in [Figure 39](#).

Every step is executed by the rising edge on CLK input.

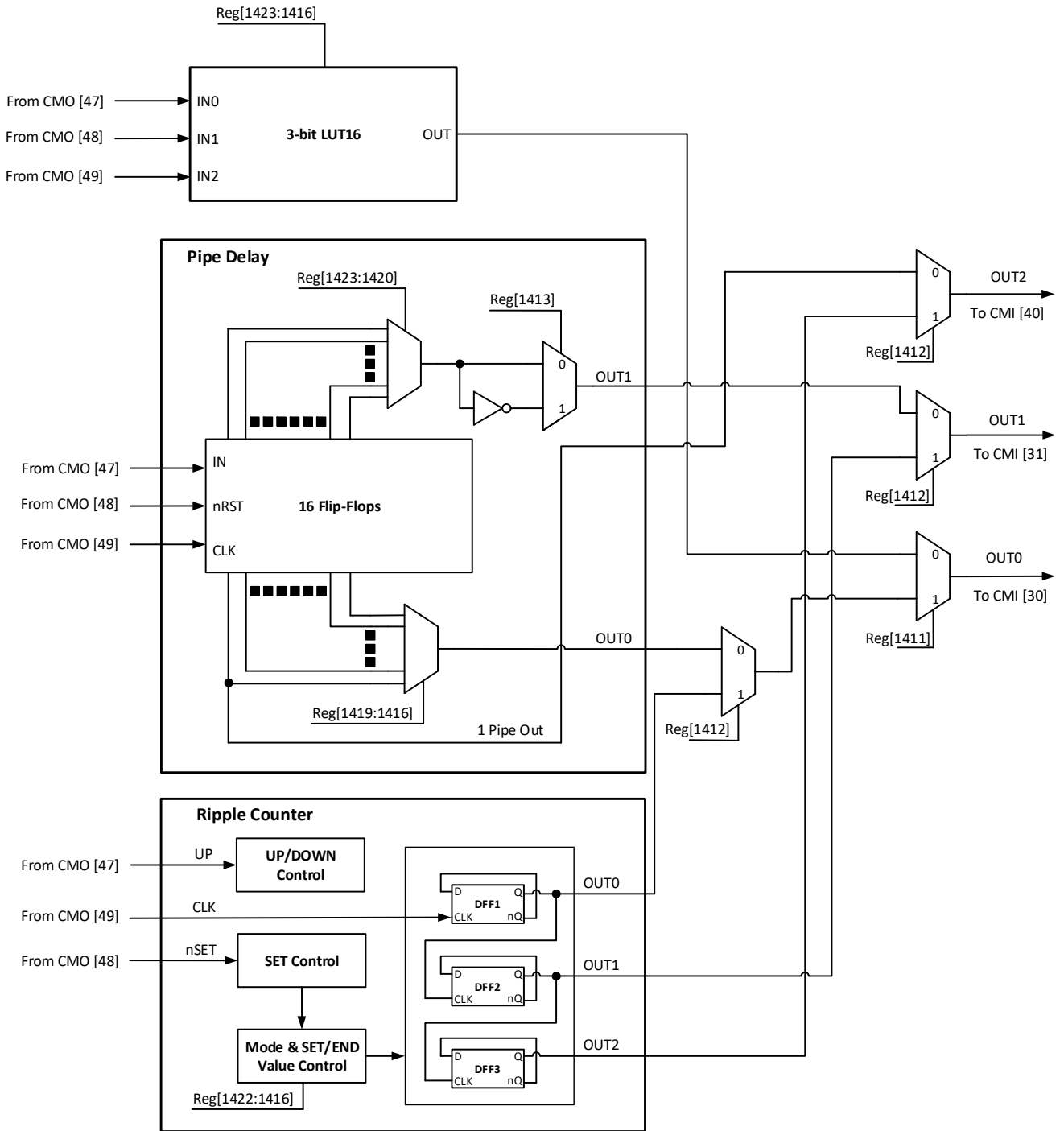


Figure 38. 3-bit LUT16/Pipe Delay/Ripple Counter

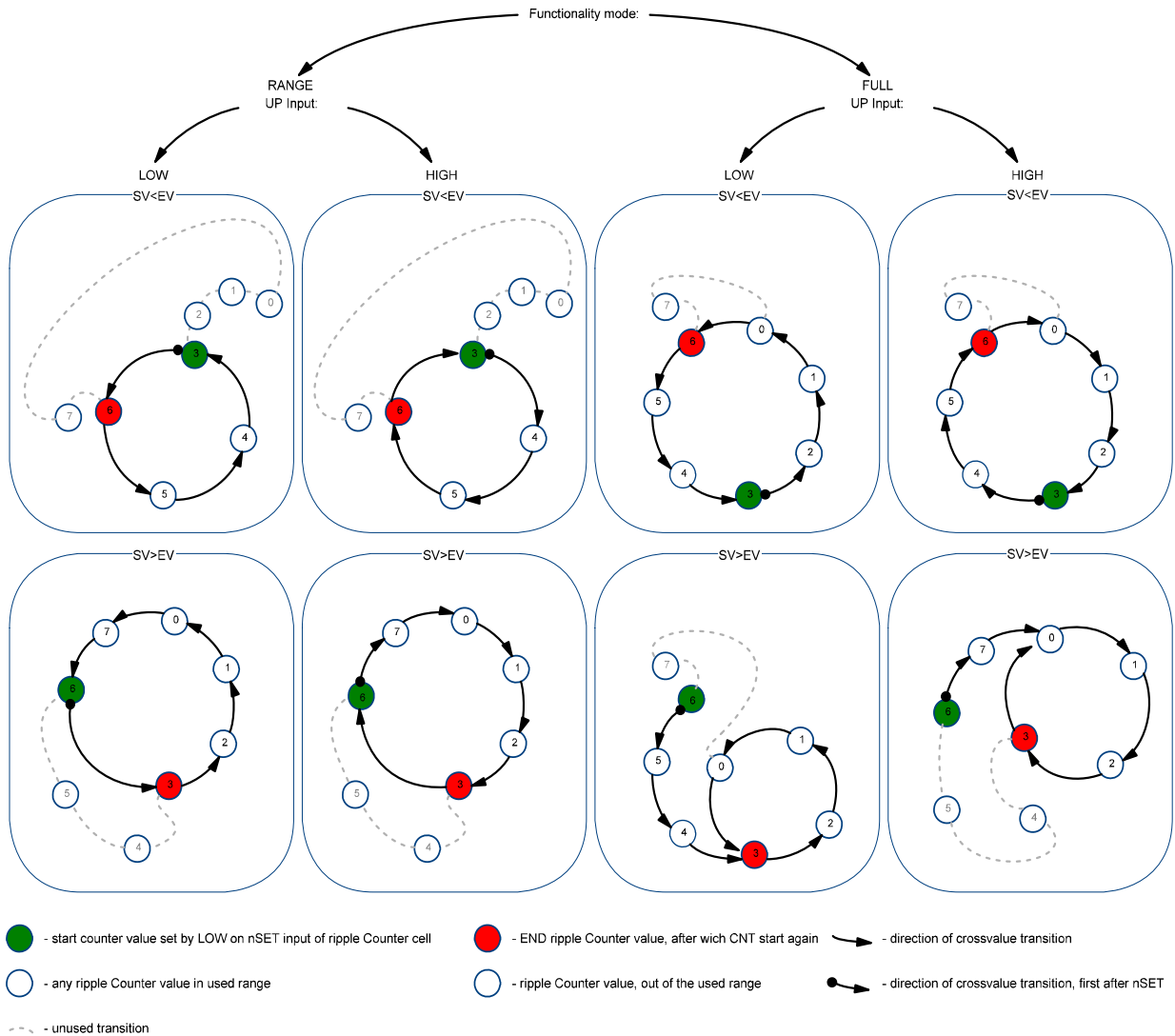


Figure 39. Example: Ripple Counter Functionality

7.5.1 3-bit LUT or Pipe Delay Macrocells Used as 3-bit LUT

Table 42. 3-bit LUT16 Truth Table

IN2	IN1	IN0	OUT
0	0	0	register [1416]
0	0	1	register [1417]
0	1	0	register [1418]
0	1	1	register [1419]
1	0	0	register [1420]
1	0	1	register [1421]
1	1	0	register [1422]
1	1	1	register [1423]

Each macrocell, when programmed for a LUT function, uses a 8-bit register to define their output function:

3-bit LUT16 is defined by registers [1423:1416]

8. Multi-Function Macrocells

The SLG46857-A has 8 Multi-Function macrocells that can serve more than one logic or timing function. In each case, they can serve as a LUT, DFF with flexible settings, or as CNT/DLY with multiple modes, such as One Shot, Frequency Detect, Edge Detect, and others. Also, the macrocell is capable to combine those functions: LUT/DFF connected to CNT/DLY or CNT/DLY connected to LUT/DFF, see [Figure 40](#).

See the list below for the functions that can be implemented in these macrocells:

- Seven macrocells that can serve as 3-bit LUTs/D Flip-Flops and as 8-bit Counter/Delays
- One macrocell that can serve as a 4-bit LUT/D Flip-Flop and as 16-bit Counter/Delay/FSM

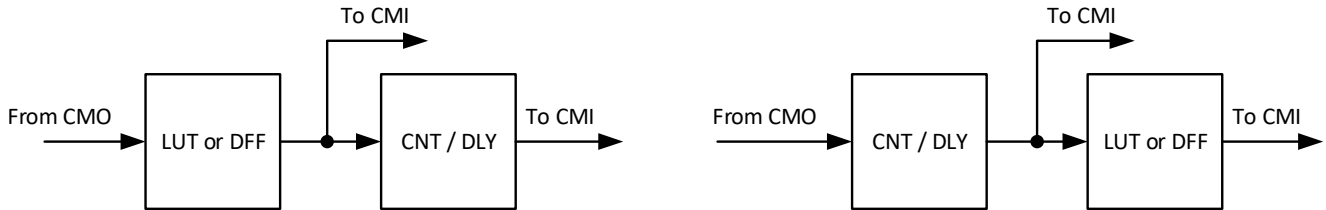


Figure 40. Possible Connections inside Multi-Function Macrocell

Inputs/Outputs for the 8 Multi-Function macrocells are configured from the connection matrix with specific logic functions being defined by the state of NVM bits.

When used as a LUT to implement combinatorial logic functions, the outputs of the LUTs can be configured to any user-defined function, including the following standard digital logic devices (AND, NAND, OR, NOR, XOR, XNOR).

8.1 3-Bit LUT or DFF/LATCH with 8-Bit Counter/Delay Macrocells

There are seven macrocells that can serve as 3-bit LUTs/D Flip-Flops and as 8-Bit Counter/Delays.

When used to implement LUT functions, the 3-bit LUTs each take in three input signals from the connection matrix and produce a single output, which goes back into the connection matrix or can be connected to CNT/DLY's input.

When used to implement D Flip-Flop function, the three input signals from the connection matrix go to the data (D), clock (CLK), and Reset/Set (nRST/nSET) inputs of the Flip-Flop, with the output going back to the connection matrix or to the CNT/DLY's input.

When used to implement Counter/Delays, each macrocell has a dedicated matrix input connection. For flexibility, each of these macrocells has a large selection of internal and external clock sources, as well as the option to chain from the output of the previous (N-1) CNT/DLY macrocell, to implement longer count/delay circuits. These macrocells can also operate in a One-Shot mode, which will generate an output pulse of user-defined width. They can also operate in a Frequency Detection or Edge Detection mode.

Counter/Delay macrocell has an initial value, which define its initial value after GPAK is powered up. It is possible to select initial Low or initial High, as well as initial value defined by a Delay In signal.

For example, in case initial LOW option is used, the rising edge delay will start operation.

For timing diagrams refer to [Section 7.1 2-Bit LUT or D Flip-Flop Macrocells](#) and [8.3 CNT/DLY/FSM Timing Diagrams](#).

Note: After two DFF – counters initialize with counter data = 0 after POR.

Initial state = 1 – counters initialize with counter data = 0 after POR. Initial state = 0 And After two DFF is bypass – counters initialize with counter data after POR.

CNT6 and CNT7 current count value can be read via I²C. However, it is possible to change the counter data (value counter starts operating from) for any macrocell using I²C write commands. In this mode, it is possible to load count data immediately (after two DFF) or after counter ends counting. See [Section 15.6.1 Reading Counter Data via I2C](#) for further details.

8.1.1 3-Bit LUT or 8-Bit CNT/DLY Block Diagrams

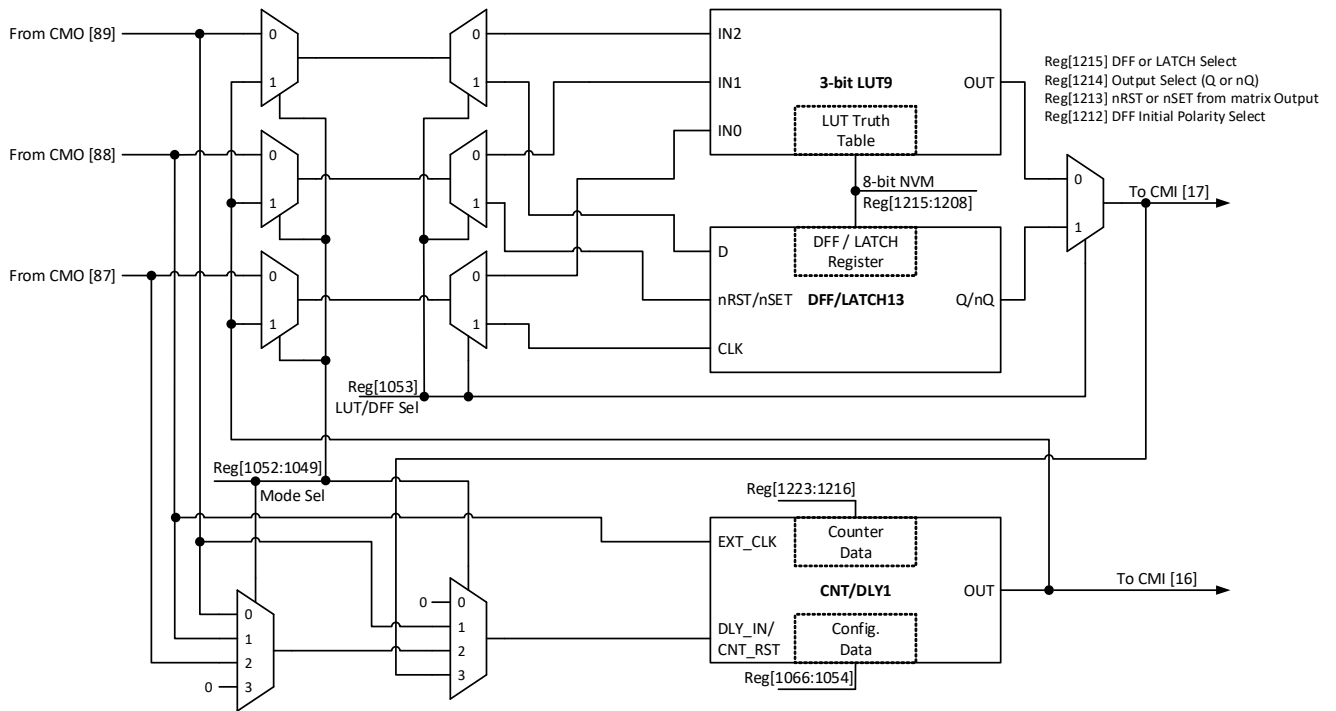


Figure 41. 8-bit Multi-Function Macrocells Block Diagram (3-bit LUT9/DFF13, CNT/DLY1)

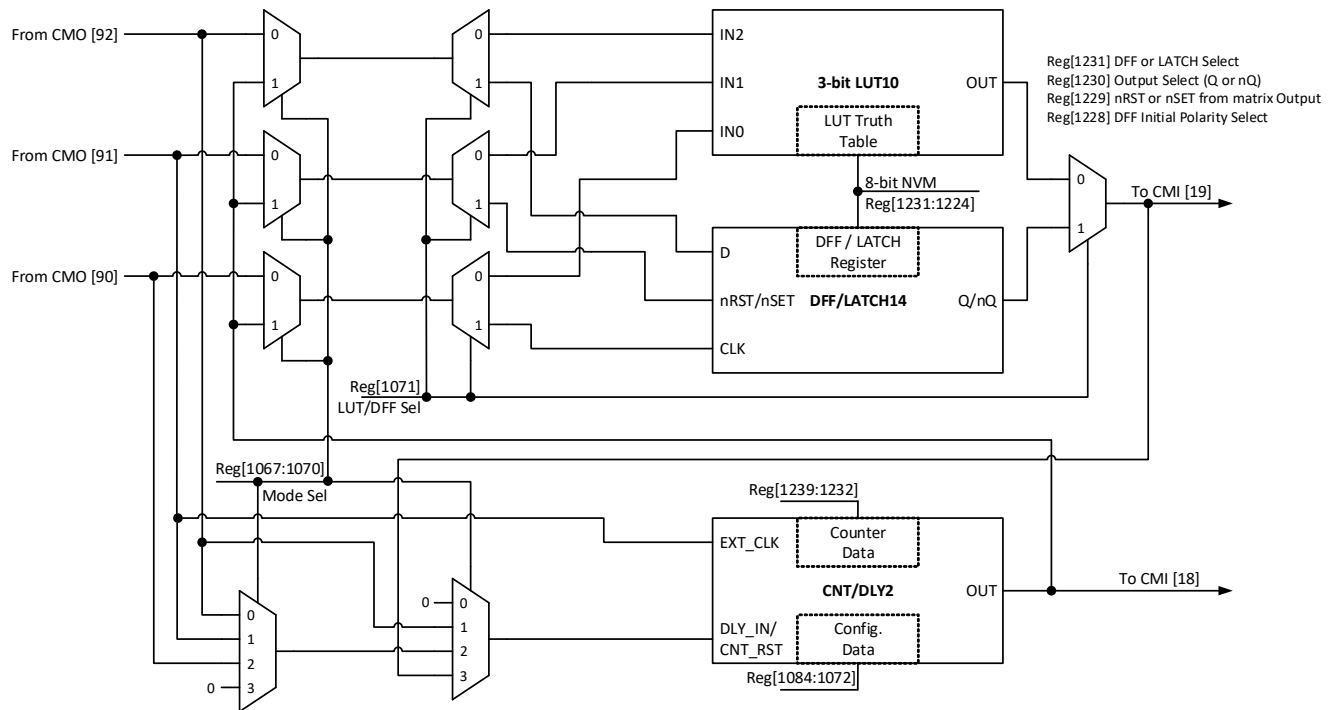


Figure 42. 8-bit Multi-Function Macrocells Block Diagram (3-bit LUT10/DFF14, CNT/DLY2)

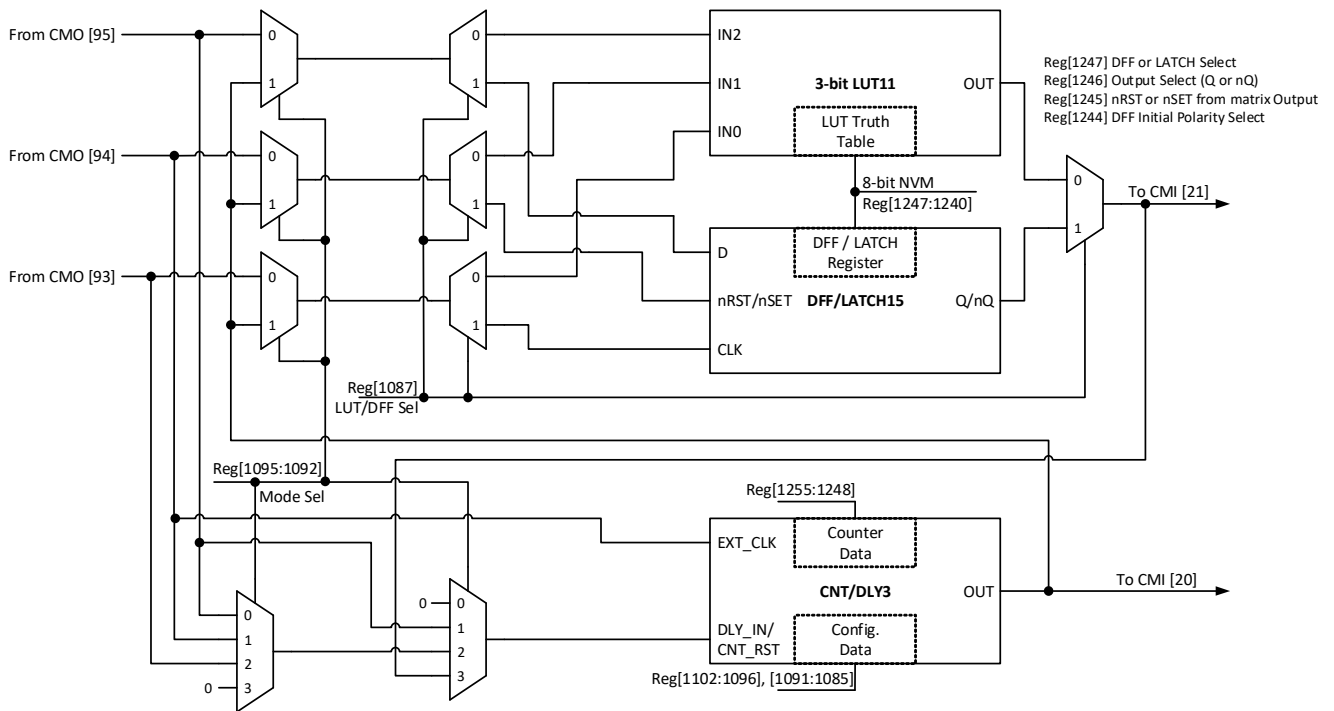


Figure 43. 8-bit Multi-Function Macrocells Block Diagram (3-bit LUT11/DFF15, CNT/DLY3)

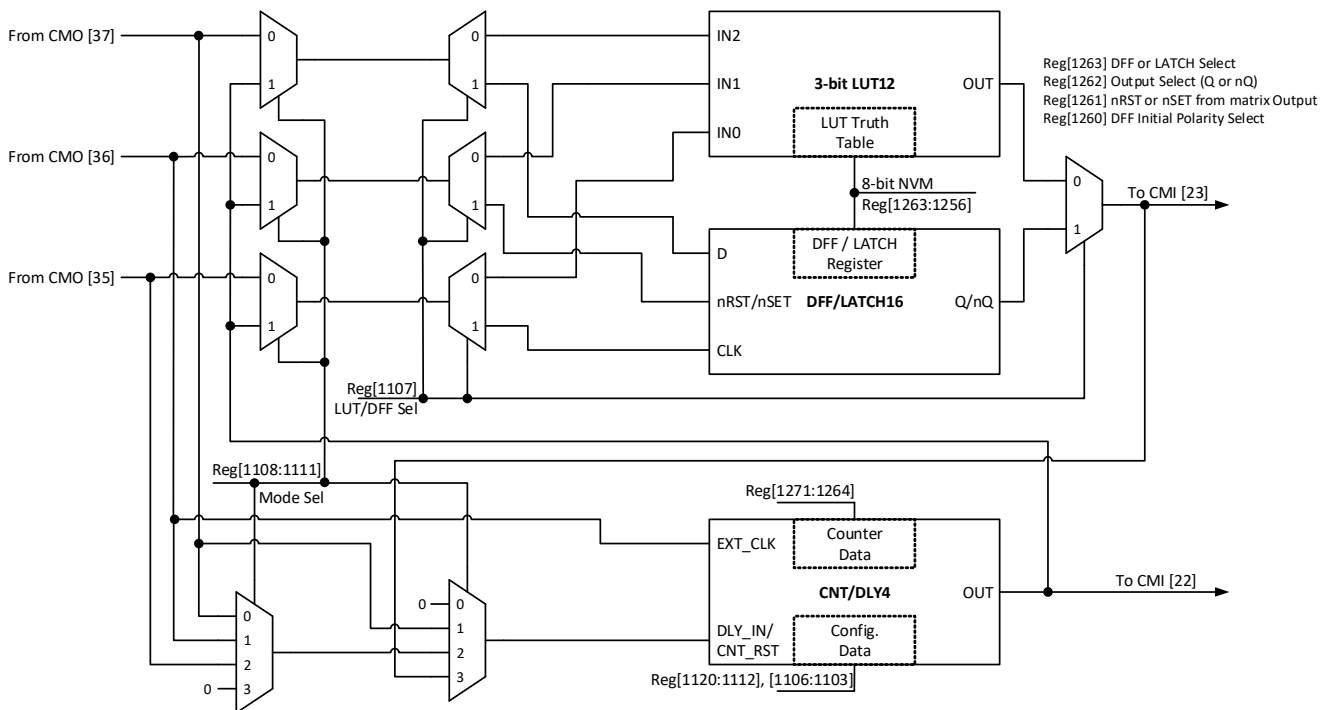


Figure 44. 8-bit Multi-Function Macrocells Block Diagram (3-bit LUT12/DFF16, CNT/DLY4)

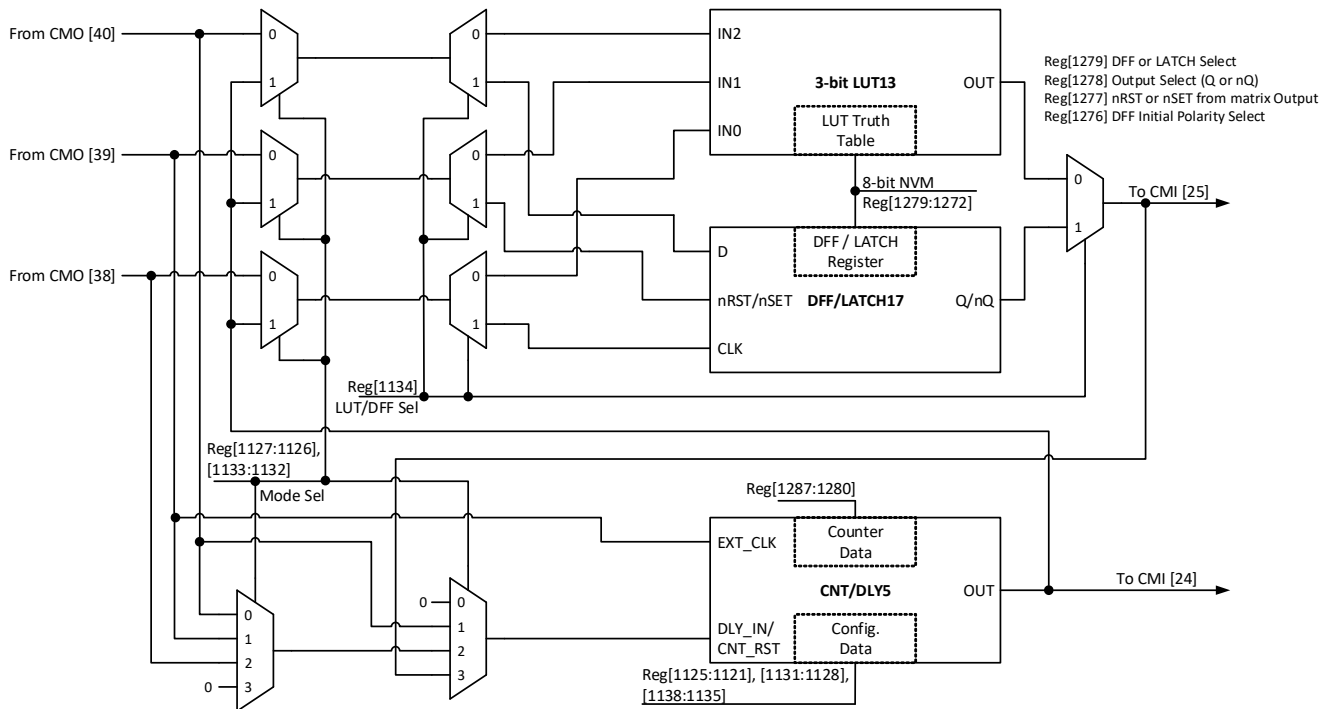


Figure 45. 8-bit Multi-Function Macrocells Block Diagram (3-bit LUT13/DFF17, CNT/DLY5)

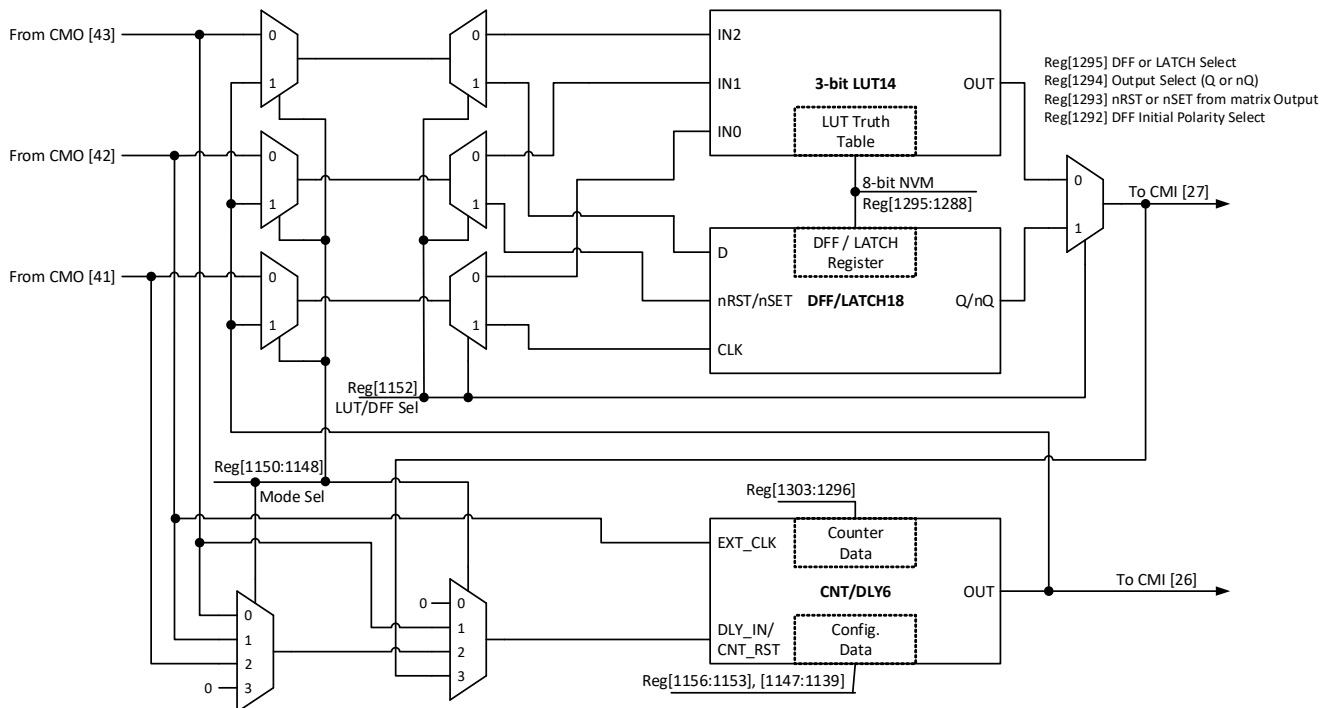


Figure 46. 8-bit Multi-Function Macrocells Block Diagram (3-bit LUT14/DFF18, CNT/DLY6)

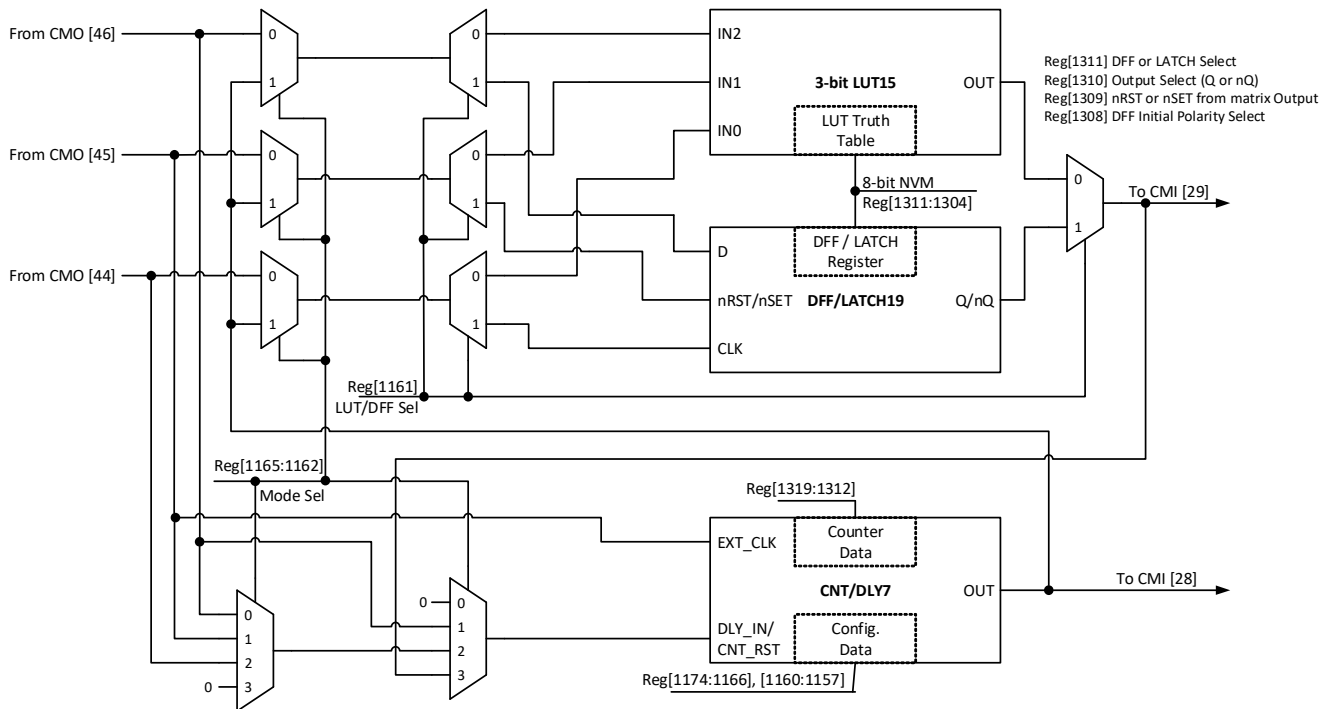


Figure 47. 8-bit Multi-Function Macrocells Block Diagram (3-bit LUT15/DFF19, CNT/DLY7)

As shown in Figures 41-47 there is a possibility to use LUT/DFF and CNT/DLY simultaneously.

Note: It is not possible to use LUT and DFF at once, one of these macrocells must be selected.

- Case 1. LUT/DFF in front of CNT/DLY. Three input signals from the connection matrix go to previously selected LUT or DFF's inputs and produce a single output which goes to a CNT/DLY input. In its turn Counter/Delay's output goes back to the matrix.
- Case 2. CNT/DLY in front of LUT/DFF. Two input signals from the connection matrix go to CNT/DLY's inputs (IN and CLK). Its output signal can be connected to any input of previously selected LUT or DFF, after which the signal goes back to the matrix.
- Case 3. Single LUT/DFF or CNT/DLY. Also, it is possible to use a standalone LUT/DFF or CNT/DLY. In this case, all inputs and output of the macrocell are connected to the matrix.

8.1.2 3-bit LUT or CNT/DLYs Used as 3-bit LUTs

Table 43. 3-bit LUT9 Truth Table

IN2	IN1	IN0	OUT	
0	0	0	register [1208]	LSB
0	0	1	register [1209]	
0	1	0	register [1210]	
0	1	1	register [1211]	
1	0	0	register [1212]	
1	0	1	register [1213]	
1	1	0	register [1214]	
1	1	1	register [1215]	MSB

Table 47. 3-bit LUT13 Truth Table

IN2	IN1	IN0	OUT	
0	0	0	register [1272]	LSB
0	0	1	register [1273]	
0	1	0	register [1274]	
0	1	1	register [1275]	
1	0	0	register [1276]	
1	0	1	register [1277]	
1	1	0	register [1278]	
1	1	1	register [1279]	MSB

Table 44. 3-bit LUT10 Truth Table

IN2	IN1	IN0	OUT	
0	0	0	register [1224]	LSB
0	0	1	register [1225]	
0	1	0	register [1226]	
0	1	1	register [1227]	
1	0	0	register [1228]	
1	0	1	register [1229]	
1	1	0	register [1230]	
1	1	1	register [1231]	MSB

Table 48. 3-bit LUT14 Truth Table

IN2	IN1	IN0	OUT	
0	0	0	register [1288]	LSB
0	0	1	register [1289]	
0	1	0	register [1290]	
0	1	1	register [1291]	
1	0	0	register [1292]	
1	0	1	register [1293]	
1	1	0	register [1294]	
1	1	1	register [1295]	MSB

Table 45. 3-bit LUT11 Truth Table

IN2	IN1	IN0	OUT	
0	0	0	register [1240]	LSB
0	0	1	register [1241]	
0	1	0	register [1242]	
0	1	1	register [1243]	
1	0	0	register [1244]	
1	0	1	register [1245]	
1	1	0	register [1246]	
1	1	1	register [1247]	MSB

Table 49. 3-bit LUT15 Truth Table

IN2	IN1	IN0	OUT	
0	0	0	register [1304]	LSB
0	0	1	register [1305]	
0	1	0	register [1306]	
0	1	1	register [1307]	
1	0	0	register [1308]	
1	0	1	register [1309]	
1	1	0	register [1310]	
1	1	1	register [1311]	MSB

Table 46. 3-bit LUT12 Truth Table

IN2	IN1	IN0	OUT	
0	0	0	register [1256]	LSB
0	0	1	register [1257]	
0	1	0	register [1258]	
0	1	1	register [1259]	
1	0	0	register [1260]	
1	0	1	register [1261]	
1	1	0	register [1262]	
1	1	1	register [1263]	MSB

Each macrocell, when programmed for a LUT function, uses a 8-bit register to define their output function:

3-bit LUT9 is defined by registers [1215:1208]

3-bit LUT10 is defined by registers [1231:1224]

3-bit LUT11 is defined by registers [1247:1240]

3-bit LUT12 is defined by registers [1263:1256]

3-bit LUT13 is defined by registers [1279:1272]

3-bit LUT14 is defined by registers [1295:1288]

3-bit LUT15 is defined by registers [1311:1304]

8.2 4-bit LUT or DFF/LATCH with 16-bit Counter/Delay Macrocell

There is one macrocell that can serve as either 4-bit LUT/D Flip-Flops or as 16-bit Counter/Delay.

When used to implement LUT function, the 4-bit LUT takes in four input signals from the Connection Matrix and produces a single output, which goes back into the Connection Matrix.

When used to implement D Flip-Flop function, the two input signals from the connection matrix go to the data (D) and clock (CLK) inputs for the Flip-Flop, with the output going back to the connection matrix.

When used to implement 16-Bit Counter/Delay function, two of the four input signals from the connection matrix go to the external clock (EXT_CLK) and reset (DLY_IN/CNT Reset) for the Counter/Delay, with the output going back to the connection matrix.

This macrocell has an optional Finite State Machine (FSM) function. There are two additional matrix inputs for Up and Keep to support FSM functionality.

This macrocell can also operate in a one-shot mode, which will generate an output pulse of user-defined width.

This macrocell can also operate in a frequency detection or edge detection mode.

This macrocell can have its active count value read via I²C. See Section [15.6.1 Reading Counter Data via I2C](#) for further details.

Note: After two DFF – counters initialize with counter data = 0 after POR.

Initial state = 1 – counters initialize with counter data = 0 after POR.

Initial state = 0 And After two DFF is bypass – counters initialize with counter data after POR.

8.2.1 4-bit LUT or DFF/LATCH with 16-bit CNT/DLY Block Diagram

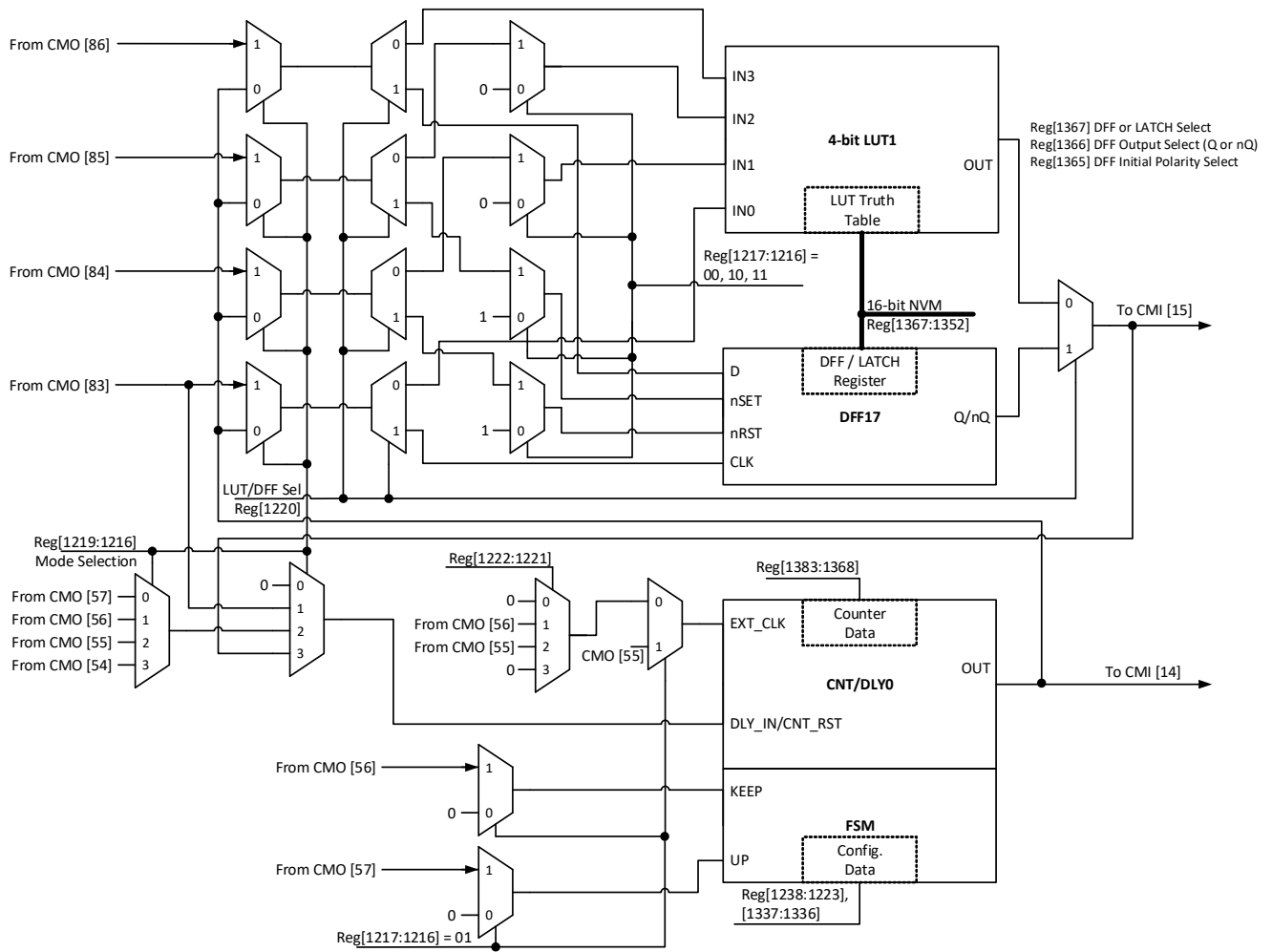


Figure 48. 4-bit LUT1 or CNT/DLY0

8.2.2 4-bit LUT or 16-bit Counter/Delay Macrocells Used as 4-bit LUTs

Table 50. 4-bit LUT1 Truth Table

IN3	IN2	IN1	IN0	OUT	
0	0	0	0	register [1176]	LSB
0	0	0	1	register [1177]	
0	0	1	0	register [1178]	
0	0	1	1	register [1179]	
0	1	0	0	register [1180]	
0	1	0	1	register [1181]	
0	1	1	0	register [1182]	
0	1	1	1	register [1183]	
1	0	0	0	register [1184]	
1	0	0	1	register [1185]	
1	0	1	0	register [1186]	
1	0	1	1	register [1187]	
1	1	0	0	register [1188]	
1	1	0	1	register [1189]	
1	1	1	0	register [1190]	
1	1	1	1	register [1191]	MSB

This macrocell, when programmed for a LUT function, uses a 16-bit register to define their output function:

4-bit LUT1 is defined by registers [1191:1176]

Table 51. 4-bit LUT Standard Digital Functions

Function	MSB															LSB
AND-4	1	0	0	0	0	0	0	0	0	0	0	0	0	0	0	0
NAND-4	0	1	1	1	1	1	1	1	1	1	1	1	1	1	1	1
OR-4	1	1	1	1	1	1	1	1	1	1	1	1	1	1	1	0
NOR-4	0	0	0	0	0	0	0	0	0	0	0	0	0	0	0	1
XOR-4	0	1	1	0	1	0	0	1	1	1	0	0	1	1	1	0
XNOR-4	1	0	0	1	0	1	1	0	0	0	1	1	0	0	0	1

8.3 CNT/DLY/FSM Timing Diagrams

8.3.1 Delay Mode CNT/DLY0 to CNT/DLY7

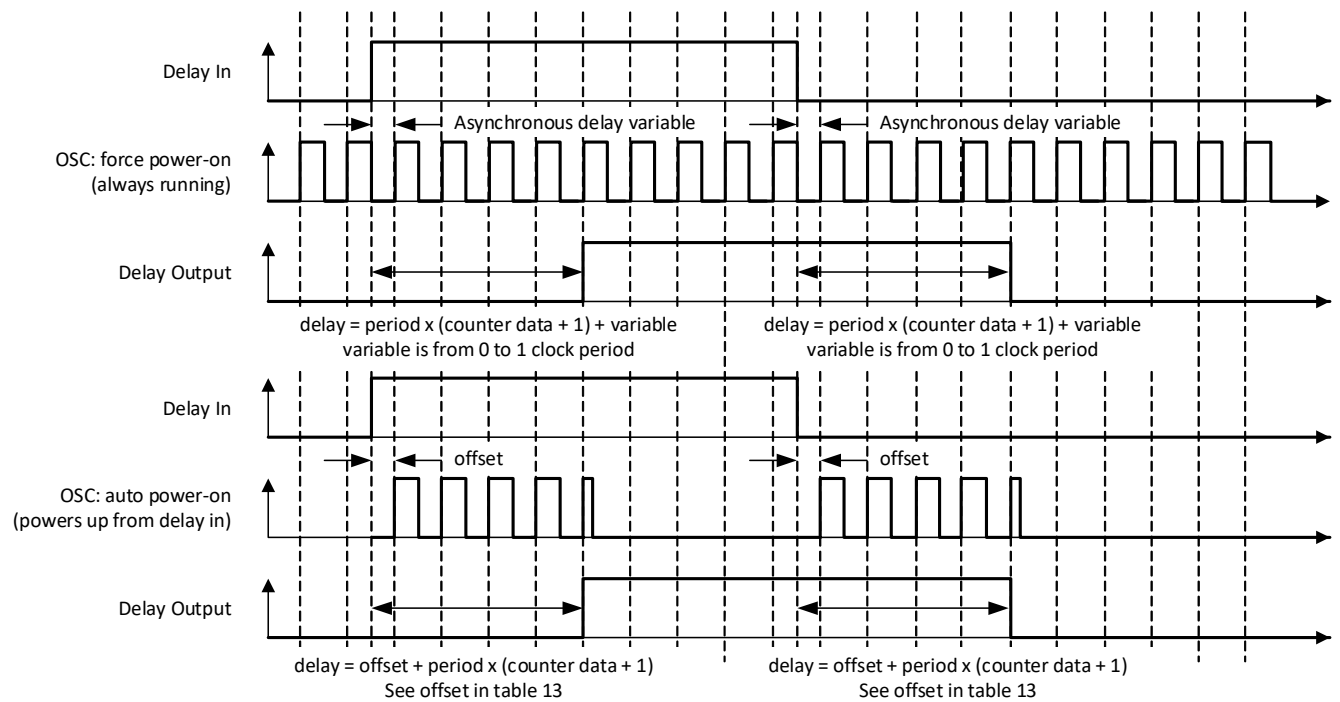


Figure 49. Delay Mode Timing Diagram, Edge Select: Both, Counter Data: 3

The macrocell shifts the respective edge to a set time and restarts by appropriate edge. It works as a filter if the input signal is shorter than the delay time.

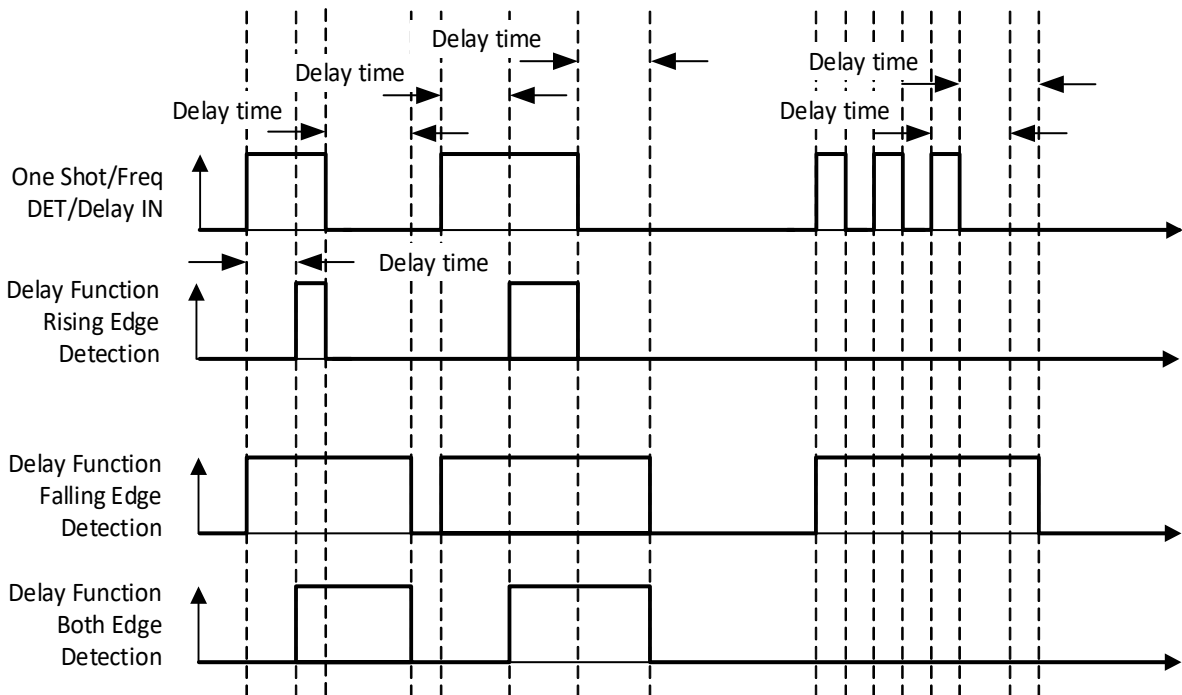


Figure 50. Delay Mode Timing Diagram for Different Edge Select Mode

8.3.2 Count Mode (Count Data: 3), Counter Reset (Rising Edge Detect) CNT/DLY0 to CNT/DLY7

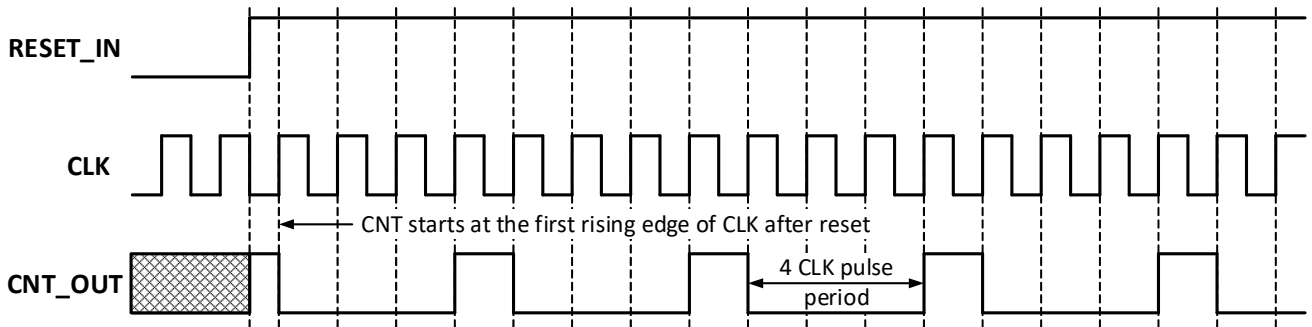


Figure 51. Counter Mode Timing Diagram without Two DFFs Synced Up

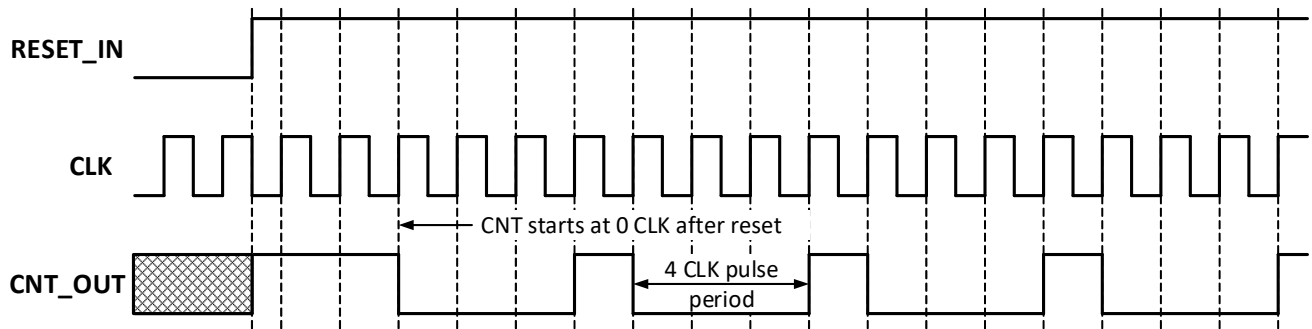


Figure 52. Counter Mode Timing Diagram with Two DFFs Synced Up

8.3.3 One-Shot Mode CNT/DLY0 to CNT/DLY7

This macrocell will generate a pulse whenever a selected edge is detected on its input. Register bits set the edge selection. The pulse width determines by counter data and clock selection properties. The output pulse polarity (non-inverted or inverted) is selected by register bit. Any incoming edges will be ignored during the pulse width generation. The following diagram shows one-shot function for non-inverted output.

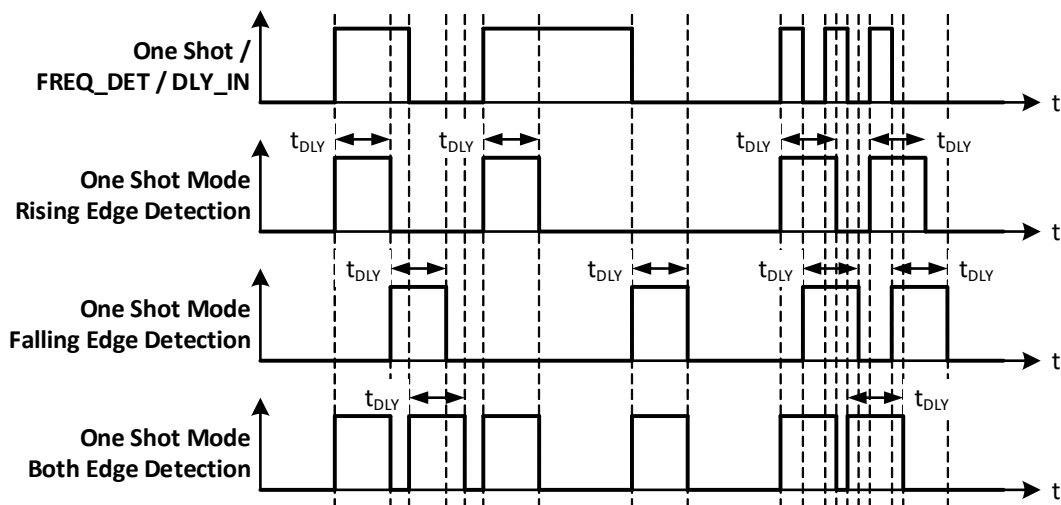


Figure 53. One-Shot Function Timing Diagram

This macrocell generates a high-level pulse with a set width (defined by counter data) when detecting the respective edge. It does not restart while pulse is HIGH.

8.3.4 Frequency Detection Mode CNT/DLY0 to CNT/DLY7

Rising Edge: The output goes high if the time between two successive edges is less than the delay. The output goes low if the second rising edge has not come after the last rising edge in specified time.

Falling Edge: The output goes high if the time between two falling edges is less than the set time. The output goes low if the second falling edge has not come after the last falling edge in specified time.

Both Edge: The output goes high if the time between the rising and falling edges is less than the set time, which is equivalent to the length of the pulse. The output goes low if after the last rising/falling edge and specified time, the second edge has not come.

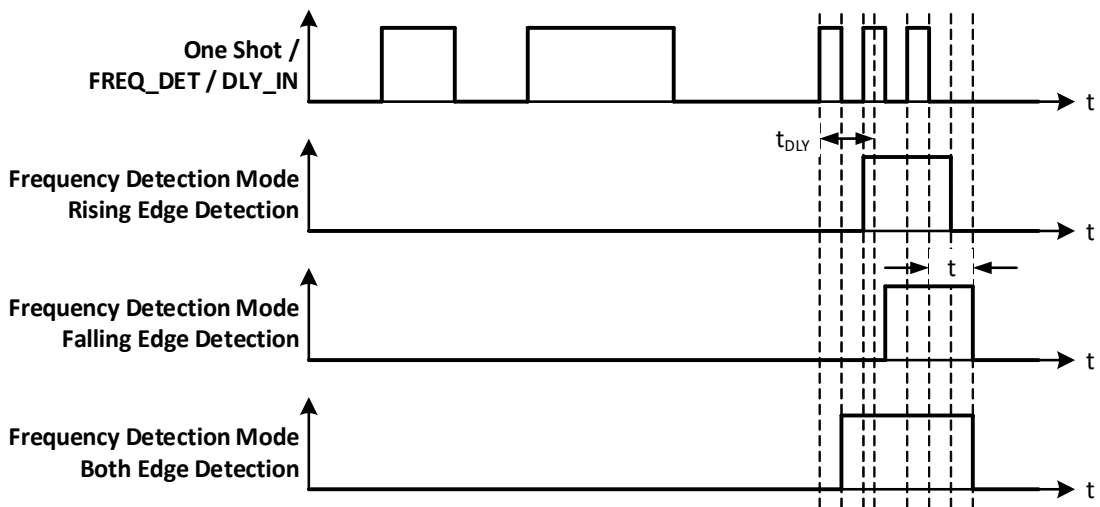


Figure 54. Frequency Detection Mode Timing Diagram

8.3.5 Edge Detection Mode CNT/DLY1 to CNT/DLY7

The macrocell generates high-level short pulse when detecting the respective edge. See [Table 13](#).

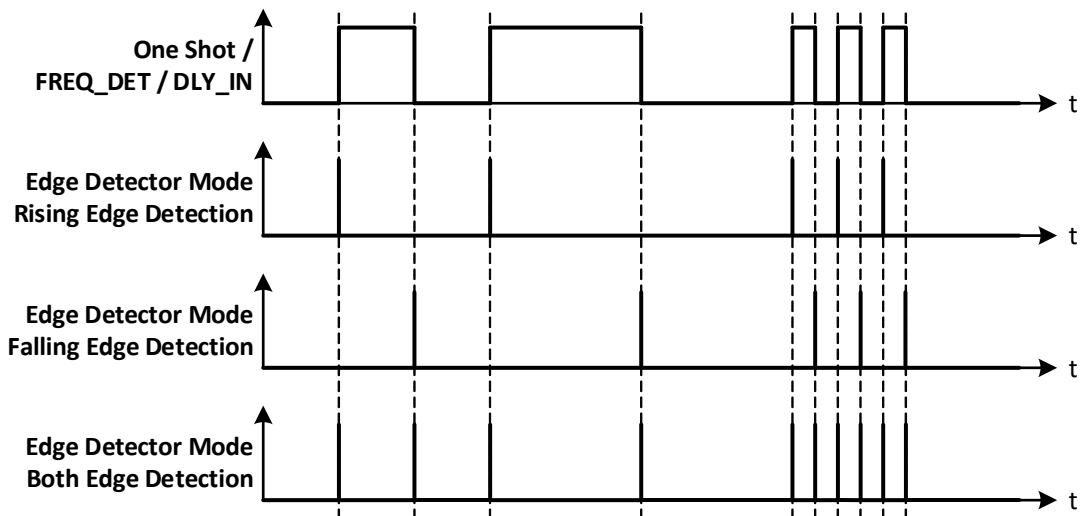


Figure 55. Edge Detection Mode Timing Diagram

8.3.6 Delayed Edge Detection Mode CNT/DLY0 to CNT/DLY7

In Delayed Edge Detection Mode, High level short pulses are generated on the macrocell output after the configured delay time, if the corresponding edge was detected on the input.

If the input signal is changed during the set delay time, the pulse will not be generated. See [Figure 56](#).

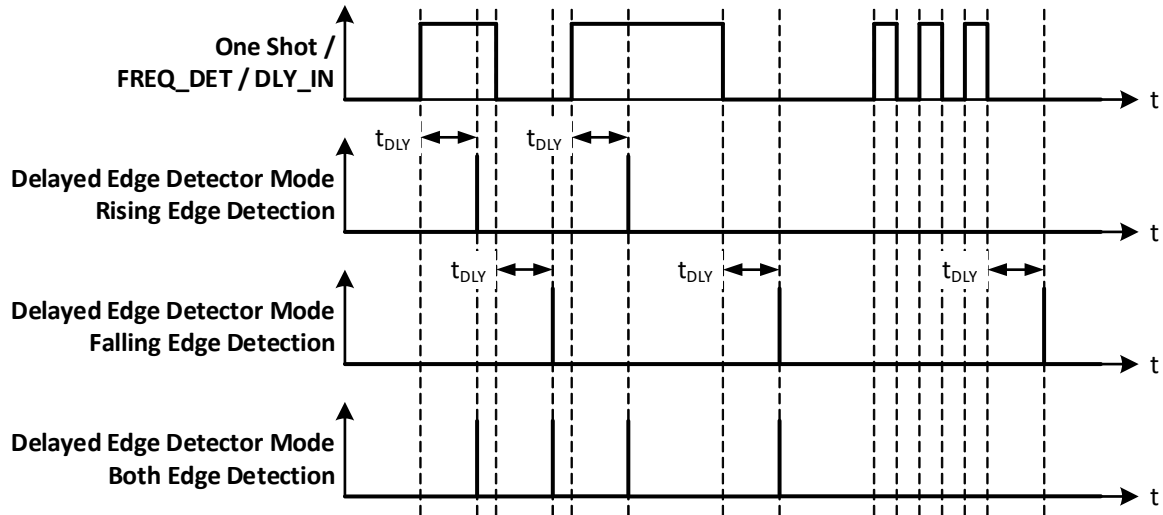
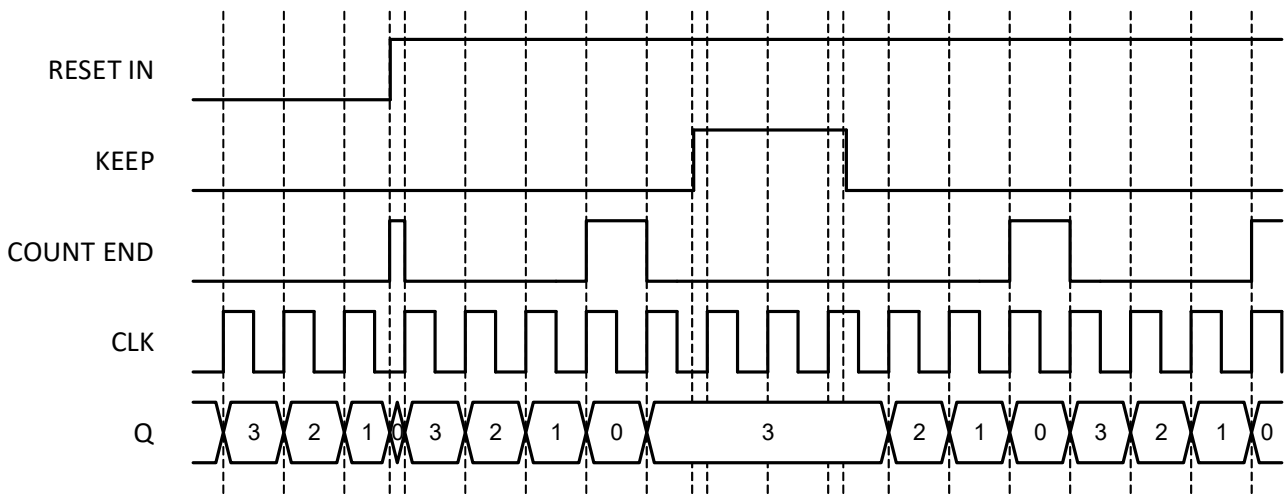


Figure 56. Delayed Edge Detection Mode Timing Diagram

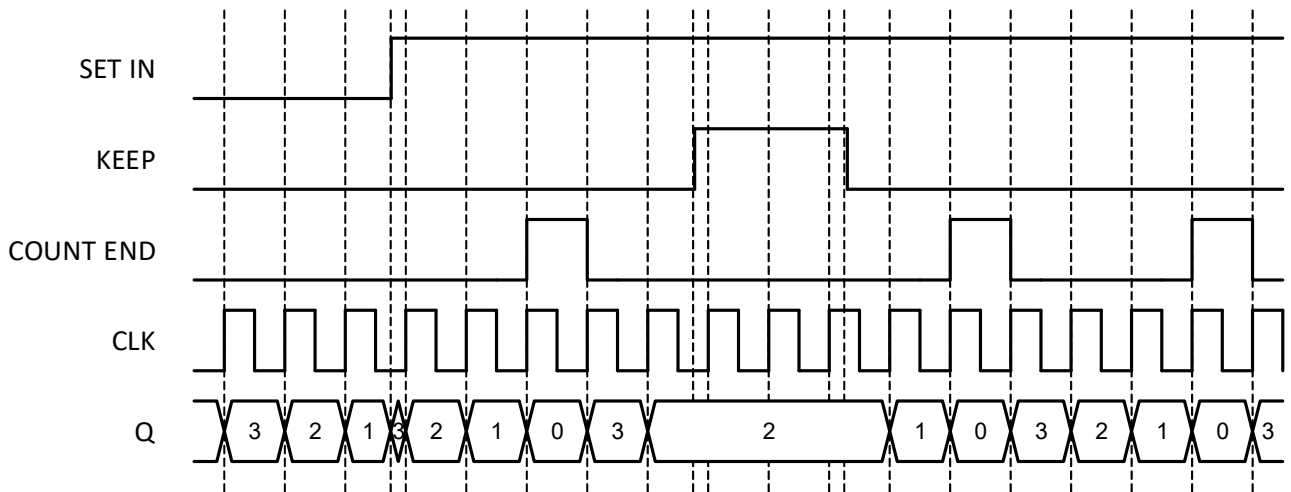
8.3.7 CNT/FSM Mode CNT/DLY0



Note 1: CNT Data = 3.

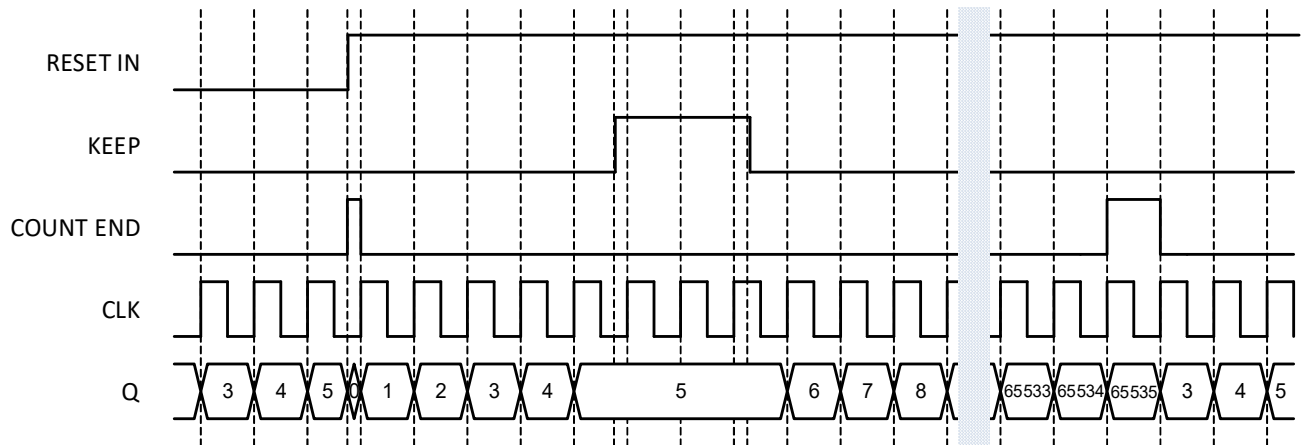
Note 2: Q = current counter value.

Figure 57. CNT/FSM Timing Diagram (Reset Rising Edge Mode, Oscillator is Forced On, UP = 0)



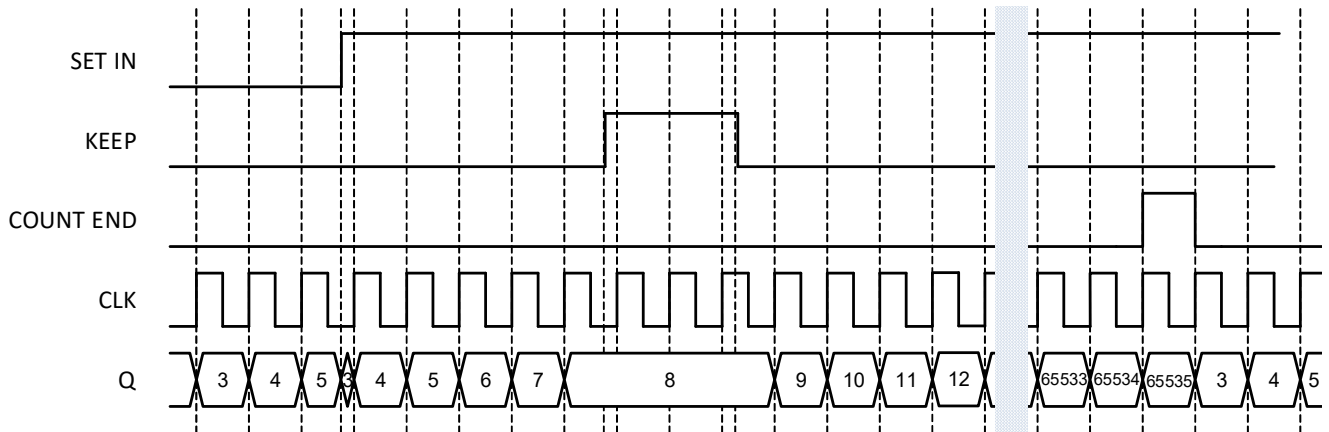
Note 1: CNT Data = 3.
Note 2: Q = current counter value.

Figure 58. CNT/FSM Timing Diagram (Set Rising Edge Mode, Oscillator is Forced On, UP = 0)



Note 1: CNT Data = 3.
Note 2: Q = current counter value.

Figure 59. CNT/FSM Timing Diagram (Reset Rising Edge Mode, Oscillator is Forced On, UP = 1)



Note 1: CNT Data = 3.
 Note 2: Q = current counter value.

Figure 60. CNT/FSM Timing Diagram (Set Rising Edge Mode, Oscillator Is Forced On, UP = 1)

8.3.8 Difference in Counter Value for Counter, Delay, One-Shot, and Frequency Detect Modes

There is a difference in counter value for Counter and Delay/One-Shot/Frequency Detect modes. The counter value is shifted for two rising edges of the clock signal in Delay/One-Shot/Frequency Detect modes compared to Counter mode. See Figure 61.

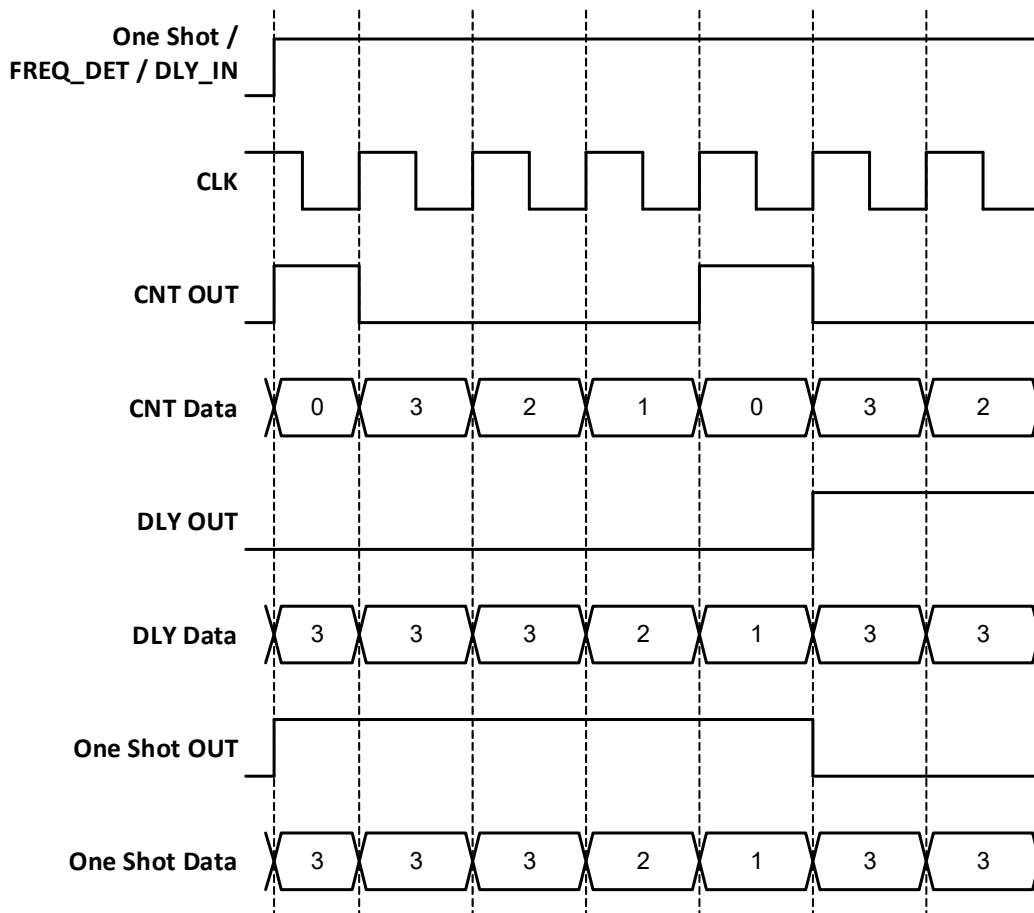


Figure 61. Counter Value, Counter Data = 3

8.4 Wake and Sleep Controller

The SLG46857-A has a Wake and Sleep function for all ACMPs. The macrocell CNT/DLY0 can be reconfigured for this purpose registers [1032:1031] = 11 and register [1046] = 1. The WS serves for power saving, it allows to switch on and off selected ACMPs on selected bit of 16-bit counter.

Note 1: BG/Analog_Good time is long and should be considered in wake and sleep timing in case it dynamically powers on/off.

Note 2: Wake time should be long enough to make sure ACMP and Vref have enough time to get a sample before going to sleep.

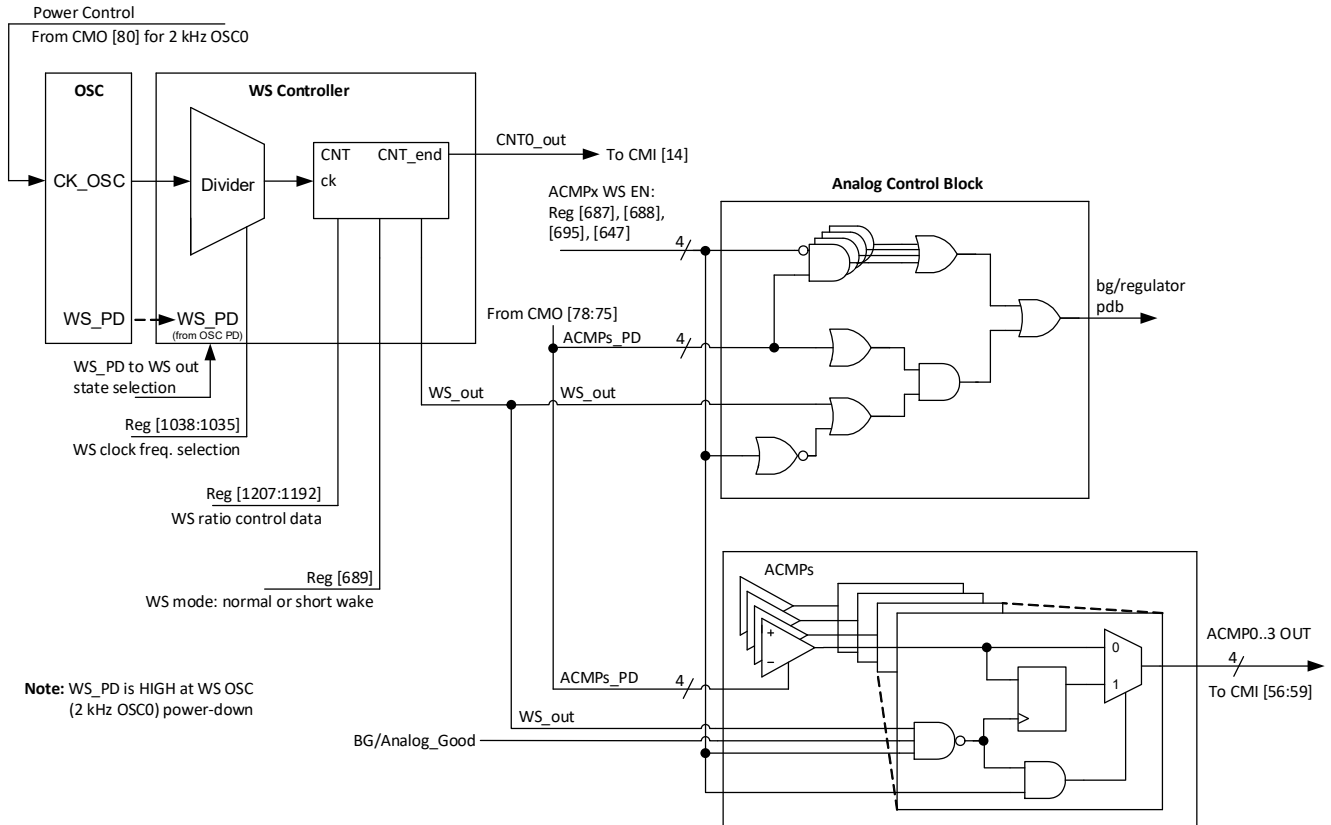
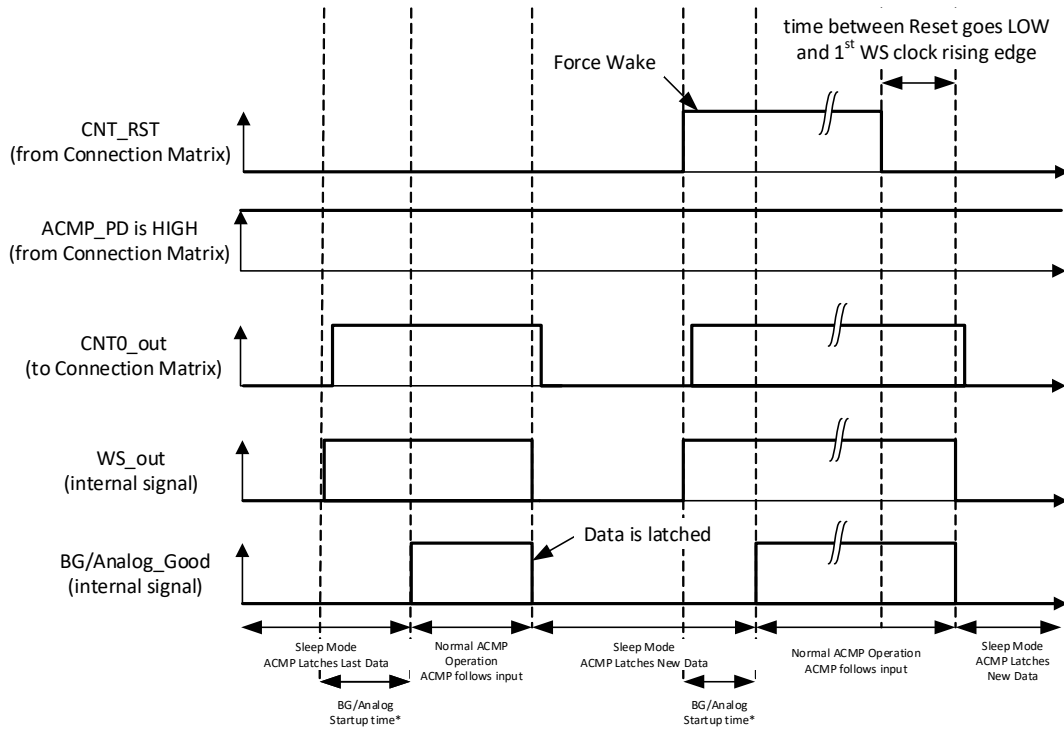
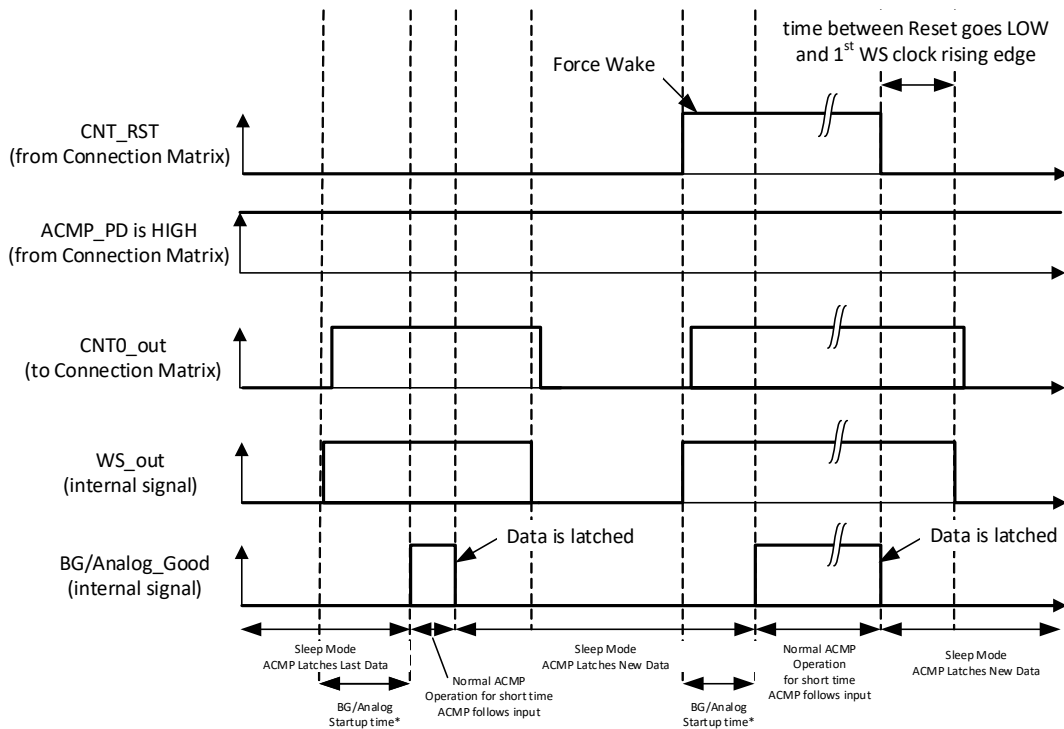


Figure 62. Wake/Sleep Controller



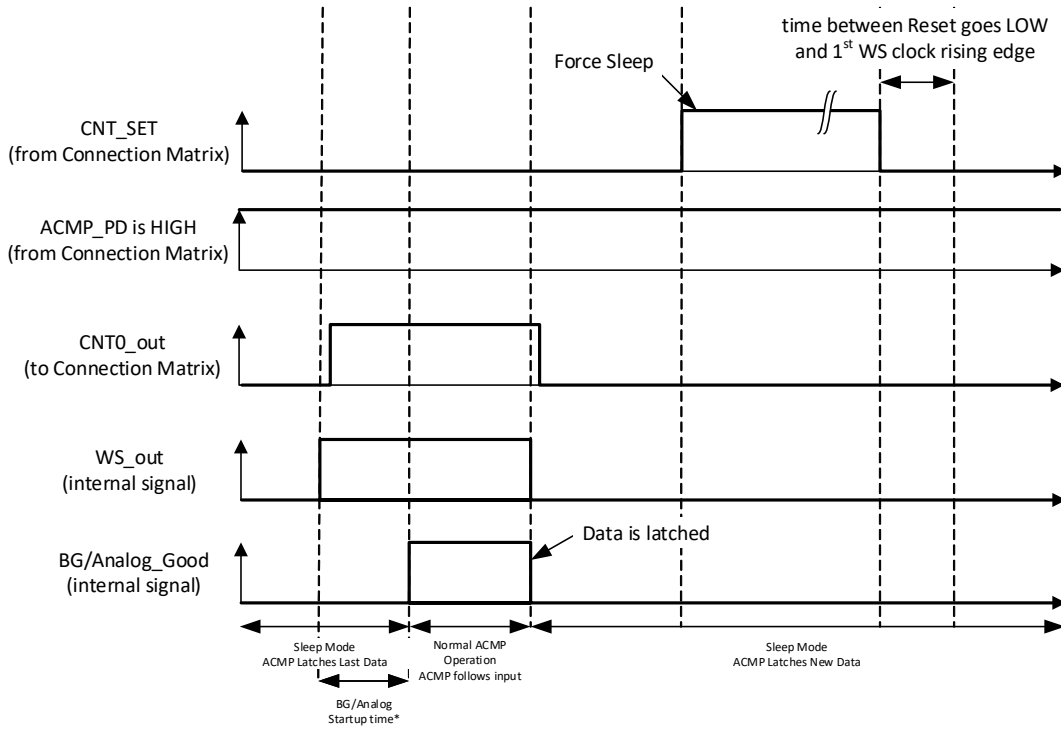
Note: CNT0_out is a delayed WS_out signal for 1 us to make sure the data is correct during LATCH.

Figure 63. Wake/Sleep Timing Diagram, Normal Wake Mode, Counter Reset is Used



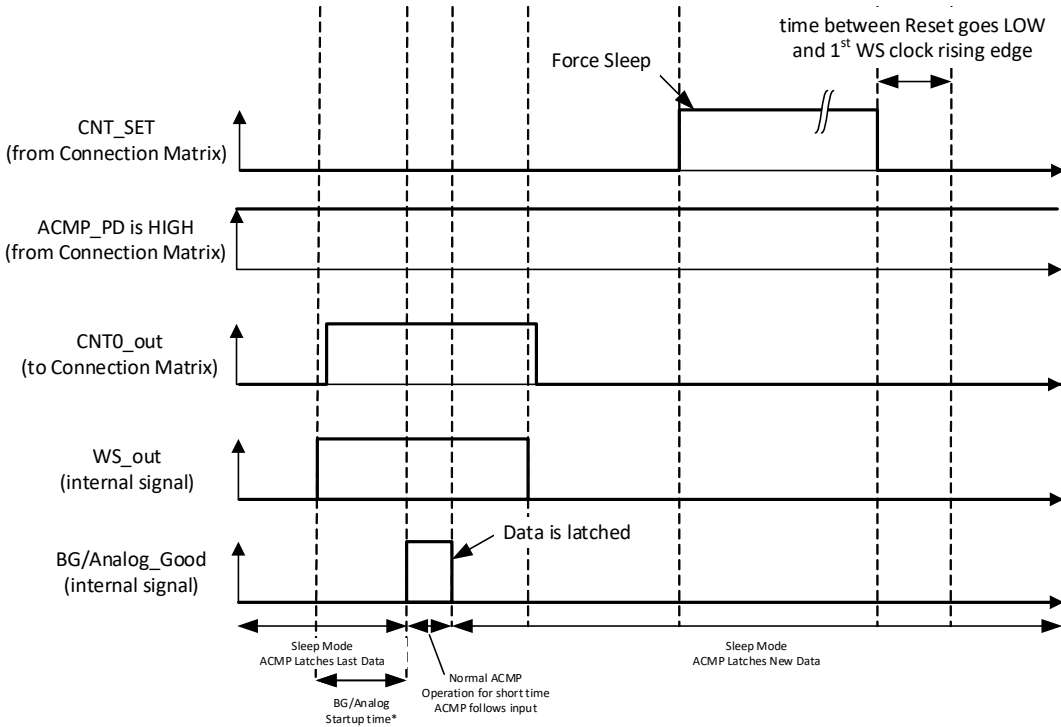
Note: CNT0_out is a delayed WS_out signal for 1 us to make sure the data is correct during LATCH.

Figure 64. Wake/Sleep Timing Diagram, Short Wake Mode, Counter Reset is Used



Note: CNT0_out is a delayed WS_out signal for 1 us to make sure the data is correct during LATCH.

Figure 65. Wake/Sleep Timing Diagram, Normal Wake Mode, Counter Set is Used



Note: CNT0_out is a delayed WS_out signal for 1 us to make sure the data is correct during LATCH.

Figure 66. Wake/Sleep Timing Diagram, Short Wake Mode, Counter Set is Used

Note: If low power BG is powered on/off by WS, the wake time should be longer than 2.1 ms. The BG/analog start up time will take maximal 2 ms. Therefore, 8 periods of the Oscillator0 is recommended for the wake time, when BG is configured to Auto Power mode. If low power BG is always on, Oscillator0 period is longer than required wake time. The BG/analog start up time will take maximal 450 us for ACMP0/1 and a shorter time for ACMP2/3. The short wake mode can be used to reduce the current consumption.

To use any ACMP under WS controller, the following settings must be done:

- ACMP Power Up Input from matrix = 1 (for each ACMP separately);
- CNT/DLY0 must be set to Wake and Sleep Controller function (for all ACMP);
- Register WS → enable (for each ACMP separately);
- CNT/DLY0 set/reset input = 0 (for all ACMP).

The user can select a period of time while the ACMP is sleeping in a range of 1 - 65535 clock cycles. Before they are sent to sleep their outputs are latched, so the ACMPs remain their state (High or Low) while sleeping.

WS controller has the following settings:

- Wake and Sleep Output State (High/Low)
If OSC is powered off (Power-down option is selected; Power-down input = 1) and Wake and Sleep Output State = High, the ACMP is continuously on.

If OSC is powered off (Power-down option is selected; Power-down input = 1) and Wake and Sleep Output State = Low, the ACMP is continuously off.

Both cases WS function is turned off.
- Counter Data (Range: 1 - 65535)
User can select wake and sleep ratio of the ACMP; counter data = sleep time, one clock = wake time.
- Q mode - defines the state of WS counter data when Set/Reset signal appears
Reset - when active signal appears, the WS counter will reset to zero and High level signal on its output will turn on the ACMPs. When Reset signal goes out, the WS counter will go Low and turn off the ACMP until the counter counts up to the end.
Set - when active signal appears, the WS counter will stop and Low level signal on its output will turn off the ACMP. When Set signal goes out, the WS counter will go on counting and High level signal will turn on the ACMP while counter is counting up to the end.

Note: The OSC0 matrix power-down to control ACMP WS is not supported for short wait time option.

- Edge Select defines the edge for Q mode
High level Set/Reset - switches mode Set/Reset when level is High

Note: Q mode operates only in case of "High Level Set/Reset".

- Wake time selection - time required for wake signal to turn the ACMPxH on
Normal Wake Time - when WS signal is High, it takes BG/analog start up time to turn the ACMPs on. They will stay on until WS signal is Low again. Wake time is one clock period. It should be longer than BG turn on time and minimal required comparing time of the ACMP.

Short Wake Time - when WS signal is High, it takes BG/analog start up time to turn the ACMPs on. They will stay on for 1 μs and turn off regardless of WS signal. The WS signal width does not matter.
- Keep - pauses counting while Keep = 1
- Up - reverses counting
If Up = 1, CNT is counting up from user selected value to 65535.
If Up = 0, CNT is counting down from user selected value to 0.

9. Analog Comparators

There are two High Speed and two Low Power Rail-to-Rail General Purpose Analog Comparators (ACMP) macrocells in the SLG46857-A. In order for the ACMP cells to be used in a GreenPAK design, the power up signals (ACMP0H PWR UP, ACMP1H PWR UP, ACMP2L PWR UP, and ACMP3L PWR UP) need to be active. By connecting to signals coming from the Connection Matrix, it is possible to have each ACMP be ON continuously, OFF continuously, or switched on periodically based on a digital signal coming from the Connection Matrix. When ACMP is powered down, its output is low.

Two of the four General Purpose Analog Comparators are optimized for high speed operation (ACMP0H and ACMP1H), and two other are optimized for low power operation (ACMP2L and ACMP3L).

Each of the ACMP cells has a positive input signal that can be provided by a variety of external sources, and can also have a selectable gain stage (1x, 0.5x, 0.33x, 0.25x) before connection to the analog comparator. The gain divider is unbuffered and has input resistance of 2 M Ω (typ) for 0.5x, 0.33x, 0.25x, and 10 G Ω for 1x. Each of the ACMP cells has a negative input signal that is either created from an internal Vref or provided by any external source (GPIO2 and GPO0). Note that the external Vref signal is filtered with a 2nd order low pass filter with 8 kHz typical bandwidth, see [Figure 67](#) to [Figure 70](#).

Input bias current < 1 nA (typ).

PWR UP = 1 => ACMP is powered up.

PWR UP = 0 => ACMP is powered down.

During power-up, the ACMP output will remain LOW, and then becomes valid in 52 μ s (max) after power up signal goes high for ACMP0H and ACMP1H, and becomes valid 325 μ s (max) after power up signal goes high for ACMP2L and ACMP3L.

Each High Speed ACMP (ACMP0H and ACMP1H) has an optional Rail-to-Rail Input Buffer, which can be used along with the Gain divider to increase ACMP input resistance. However, Input buffer will increase an input offset voltage.

Each cell also has a hysteresis selection, to offer hysteresis of (0, 32, 64, 192) mV. The hysteresis option is available when using an internal Vref only.

The ACMP0H has an additional option of connecting an internal 100 μ A current source to its positive input, register [690]. It is also possible to connect the 100 μ A current source to each next ACMP via an internal analog MUX.

ACMP0H IN+ options are GPIO4, buffered GPIO4, V_{DD}, 100 μ A Current Source

ACMP1H IN+ options are GPIO5, buffered GPIO5, ACMP0H IN+ MUX output

ACMP2L IN+ options are GPIO6, ACMP0H IN+ MUX output, ACMP1H IN+ MUX output

ACMP3L IN+ options are GPIO7, ACMP2L IN+ MUX output, Temp Sensor OUT

9.1 ACMP0H Block Diagram

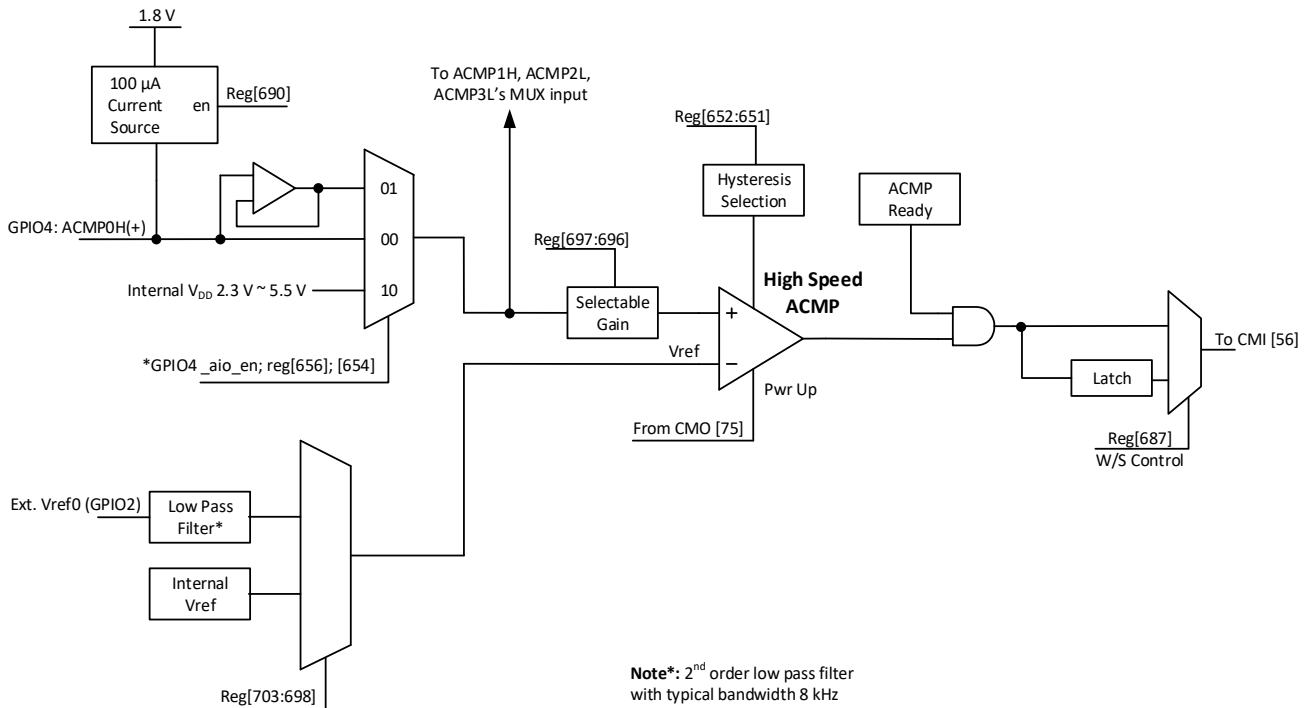


Figure 67. ACMP0H Block Diagram

9.2 ACMP1H Block Diagram

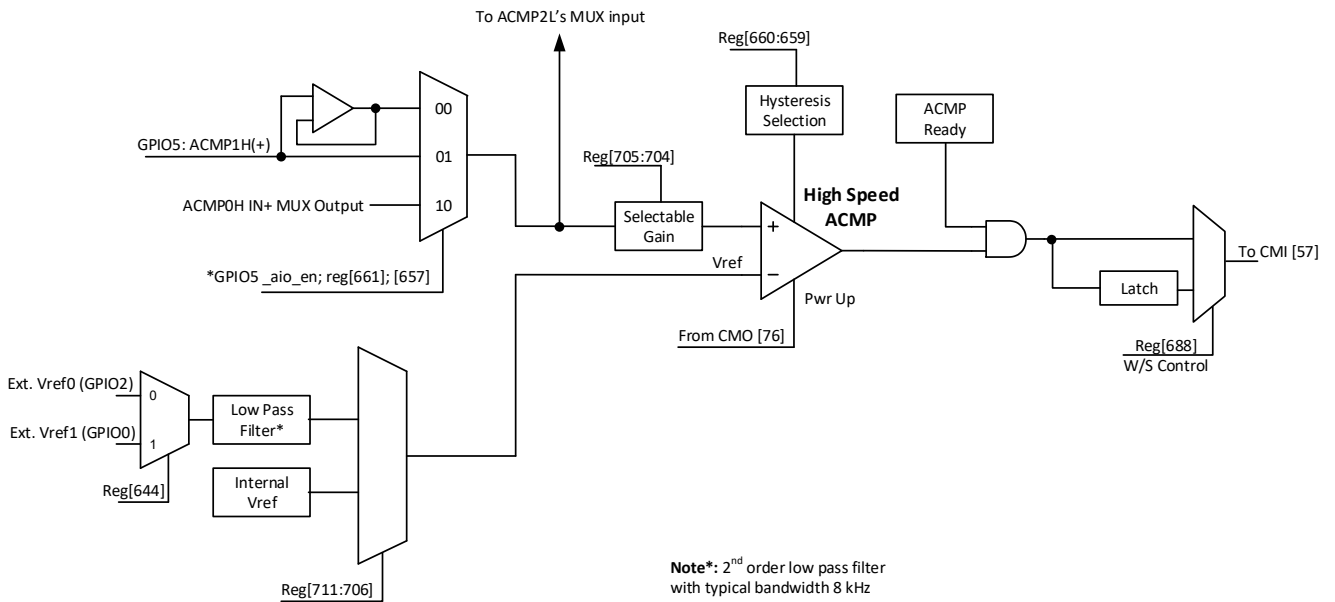


Figure 68. ACMP1H Block Diagram

9.3 ACMP2L Block Diagram

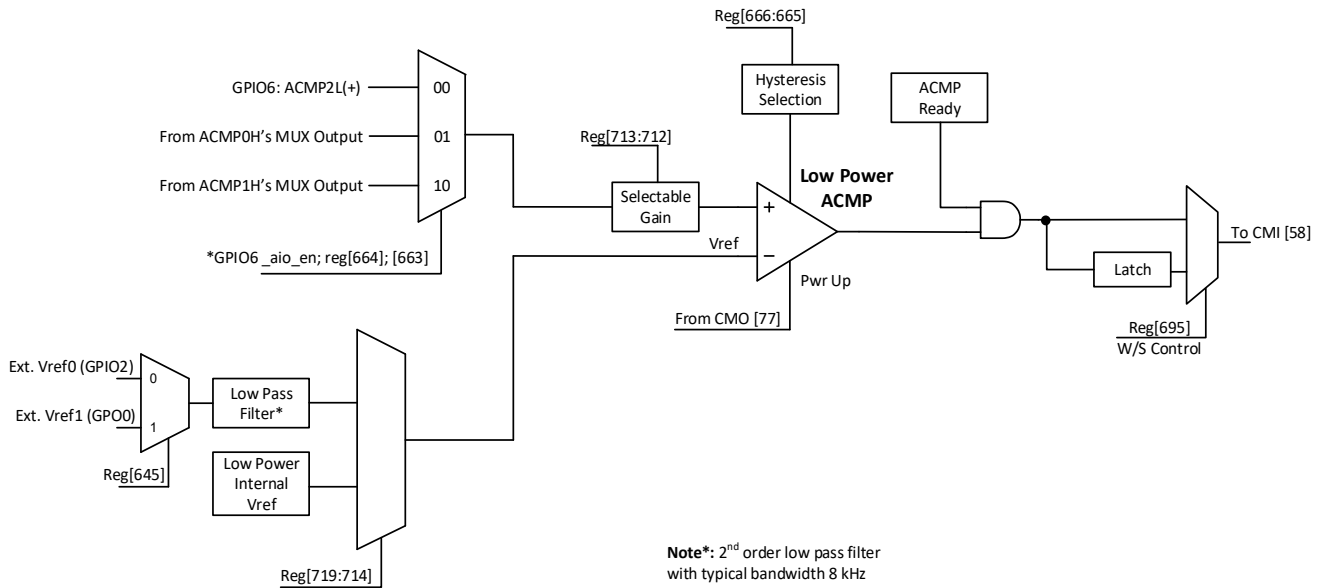


Figure 69. ACMP2L Block Diagram

9.4 ACMP3L Block Diagram

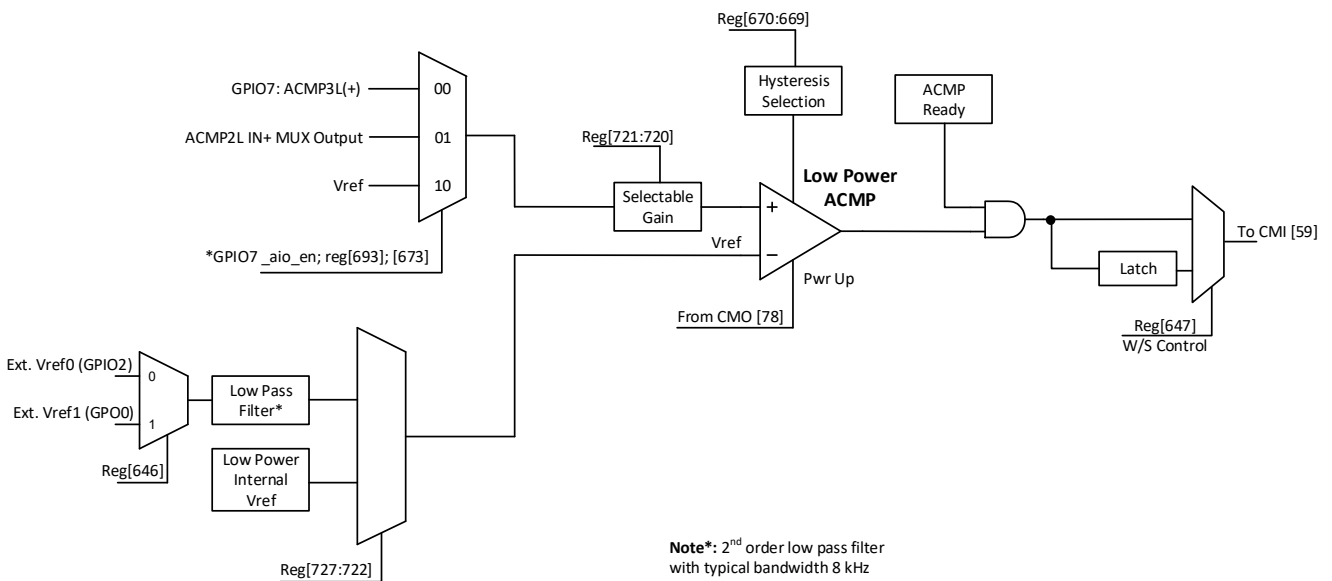


Figure 70. ACMP3L Block Diagram

9.5 ACMP Typical Performance

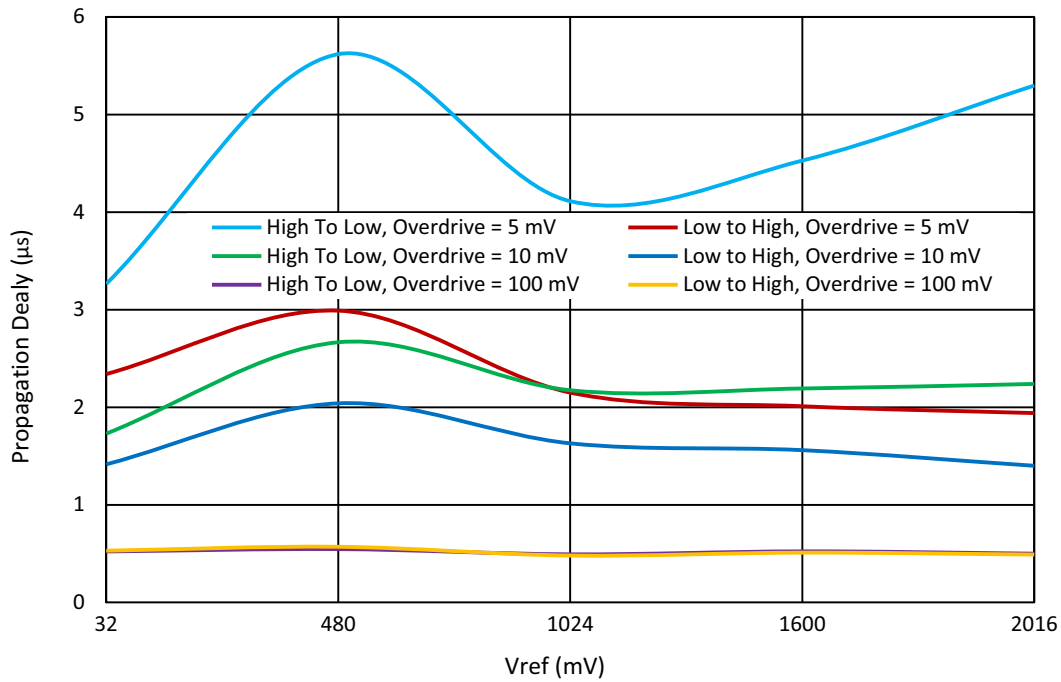


Figure 71. Typical Propagation Delay vs. Vref for ACMPxH at $T_A = 25\text{ }^\circ\text{C}$, Gain = 1, Hysteresis = 0

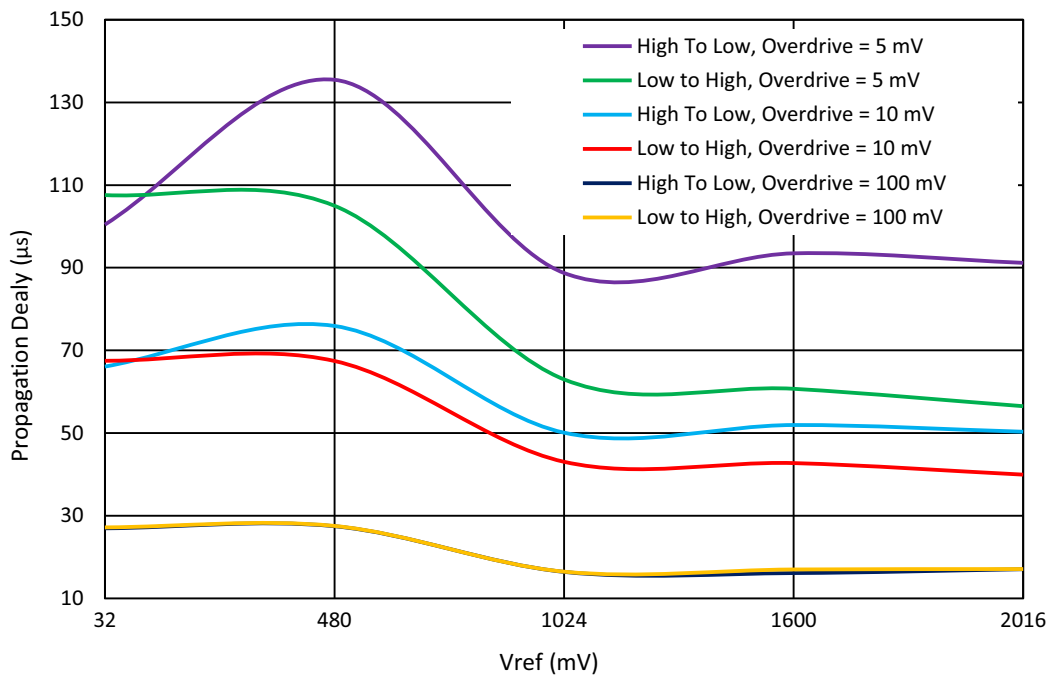


Figure 72. Typical Propagation Delay vs. Vref for ACMPxL at $T_A = 25\text{ }^\circ\text{C}$, Gain = 1, Hysteresis = 0

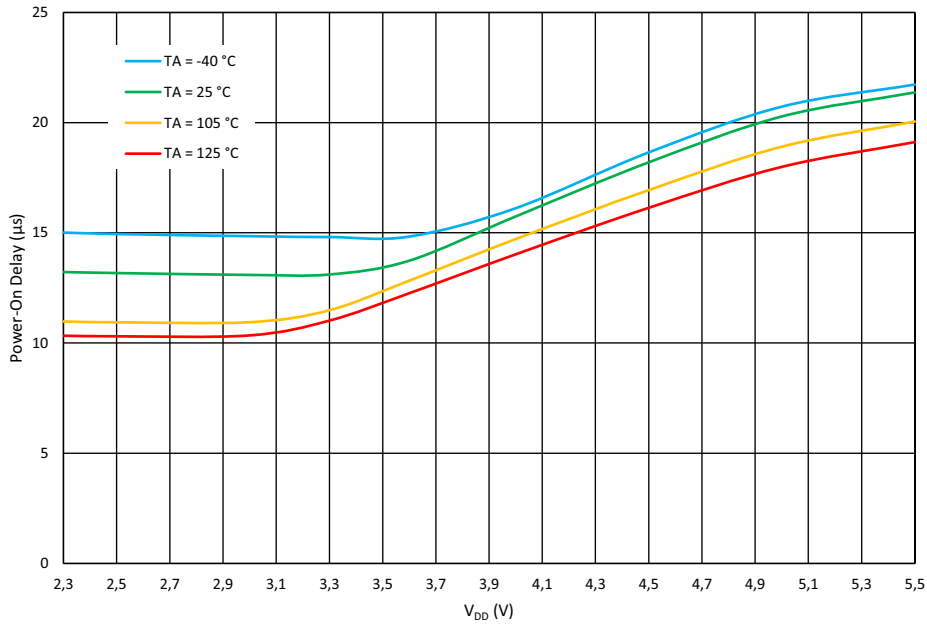


Figure 73. ACMPxH Power-On Delay vs. V_{DD}

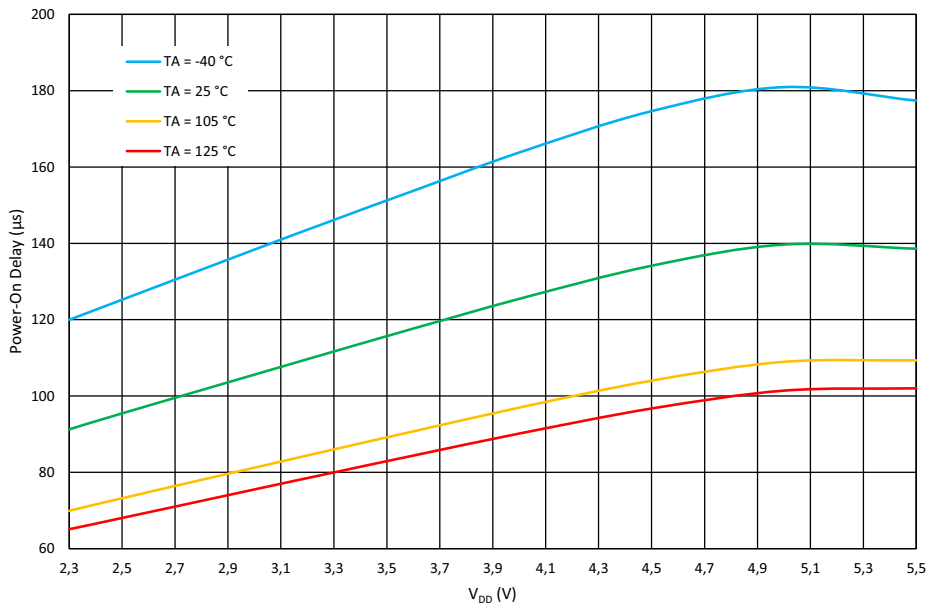


Figure 74. ACMPxL Power-On Delay vs. V_{DD}

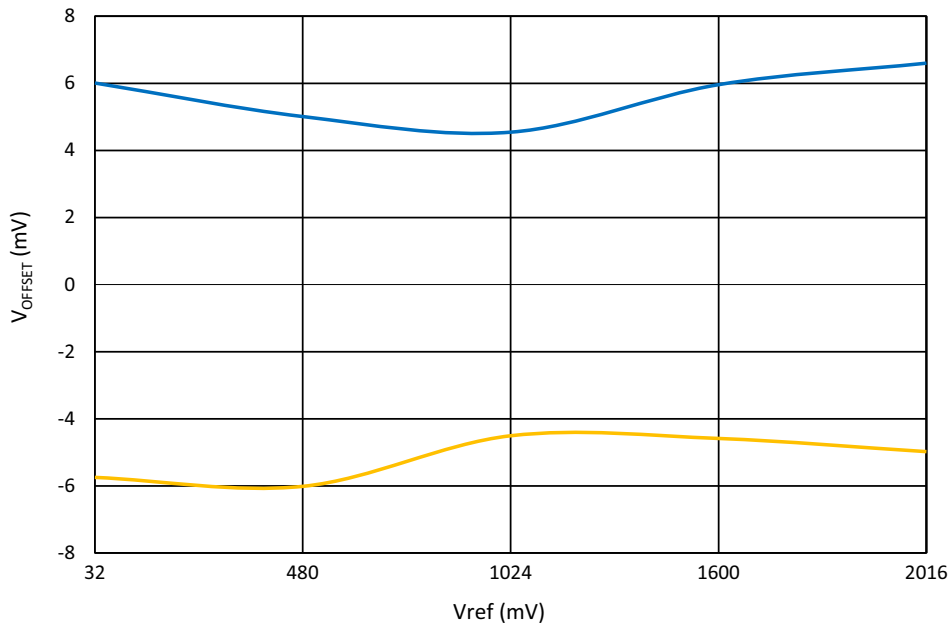


Figure 75. ACMPxH Input Offset Voltage vs. Vref at T_A = -40 °C to 125 °C

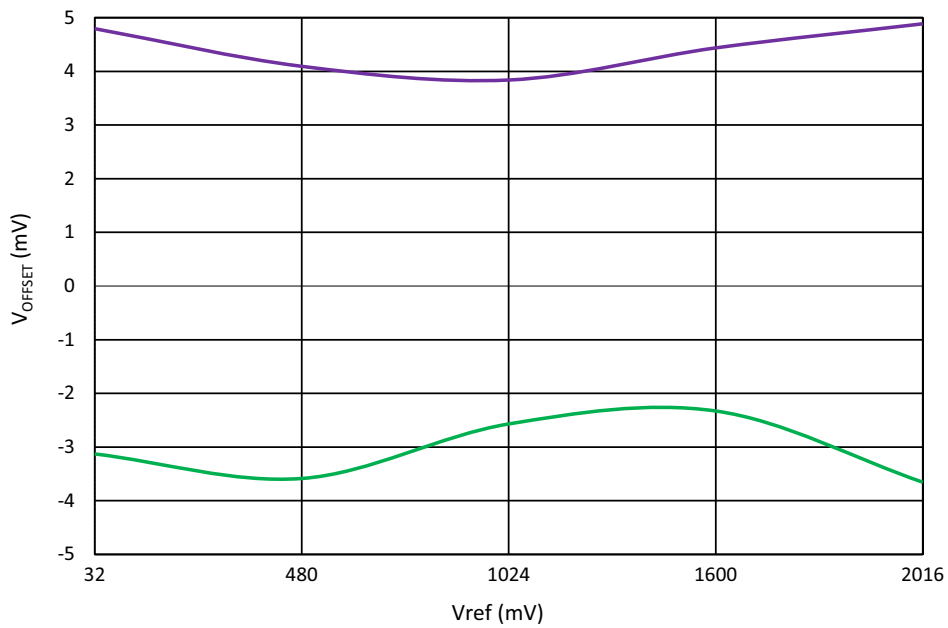


Figure 76. ACMPxH Input Offset Voltage vs. Vref at T_A = -40 °C to 125 °C, Input Buffer Enabled

10. Programmable Delay/Edge Detector

The SLG46857-A has a programmable time delay logic cell that can generate a delay that is selectable from one of four timings (time2) configured in the GreenPAK Designer. The programmable time delay cell can generate one of four different delay patterns, rising edge detection, falling edge detection, both edge detection, and both edge delay. These four patterns can be further modified with the addition of delayed edge detection, which adds an extra unit of delay, as well as glitch rejection during the delay period. See [Figure 77](#) for further information.

Note: The input signal must be longer than the delay, otherwise it will be filtered out. t

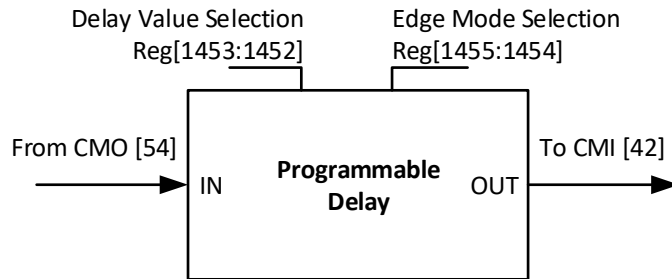


Figure 77. Programmable Delay

10.1 Programmable Delay Timing Diagram - Edge Detector Output

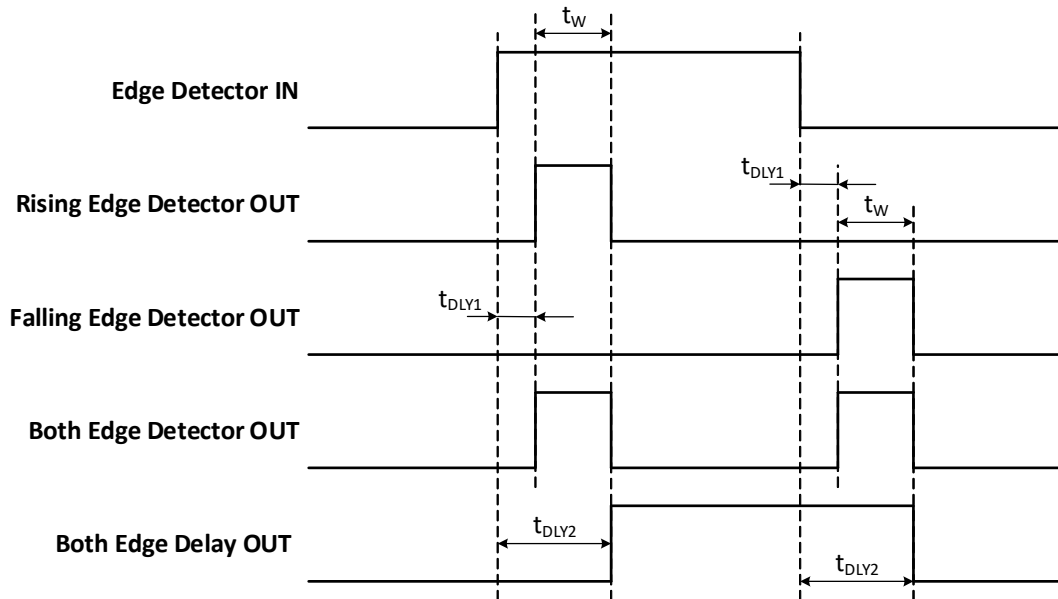


Figure 78. Edge Detector Output

Please refer to [Table 13](#).

11. Additional Logic Function. Deglitch Filter

The SLG46857-A has one Deglitch Filter macrocell with inverter function that is connected directly to the Connection matrix inputs and outputs. In addition, this macrocell can be configured as an Edge Detector, with the following settings:

- Rising Edge Detector
- Falling Edge Detector
- Both Edge Detector
- Both Edge Delay

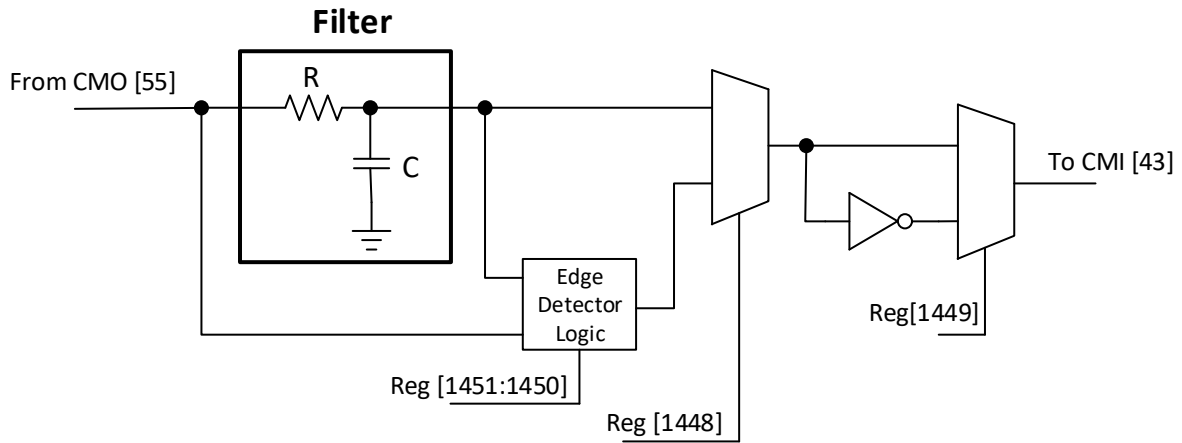


Figure 79. Deglitch Filter/Edge Detector

12. Voltage Reference

12.1 Voltage Reference Overview

The SLG46857-A has a Voltage Reference (Vref) macrocell to provide references to the four analog comparators. This macrocell can supply a user selection of fixed voltage references, or temperature sensor output. The macrocell also has the option to output reference voltages on GPIO8 and GPIO9. See [Table 52](#) for the available selections for each analog comparator.

Also, see [Figure 80](#), which shows the reference output structure.

12.2 Vref Selection Table

Table 52. Vref Selection Table

SEL	Vref	SEL	Vref
0	0.032	32	1.056
1	0.064	33	1.088
2	0.096	34	1.12
3	0.128	35	1.152
4	0.16	36	1.184
5	0.192	37	1.216
6	0.224	38	1.248
7	0.256	39	1.28
8	0.288	40	1.312
9	0.32	41	1.344
10	0.352	42	1.376
11	0.384	43	1.408
12	0.416	44	1.44
13	0.448	45	1.472
14	0.48	46	1.504
15	0.512	47	1.536
16	0.544	48	1.568
17	0.576	49	1.6
18	0.608	50	1.632
19	0.64	51	1.664
20	0.672	52	1.696
21	0.704	53	1.728
22	0.736	54	1.76
23	0.768	55	1.792
24	0.8	56	1.824
25	0.832	57	1.856
26	0.864	58	1.888
27	0.896	59	1.92

Table 52. Vref Selection Table (Cont.)

SEL	Vref	SEL	Vref
28	0.928	60	1.952
29	0.96	61	1.984
30	0.992	62	2.016
31	1.024	63	External

12.3 Vref Block Diagram

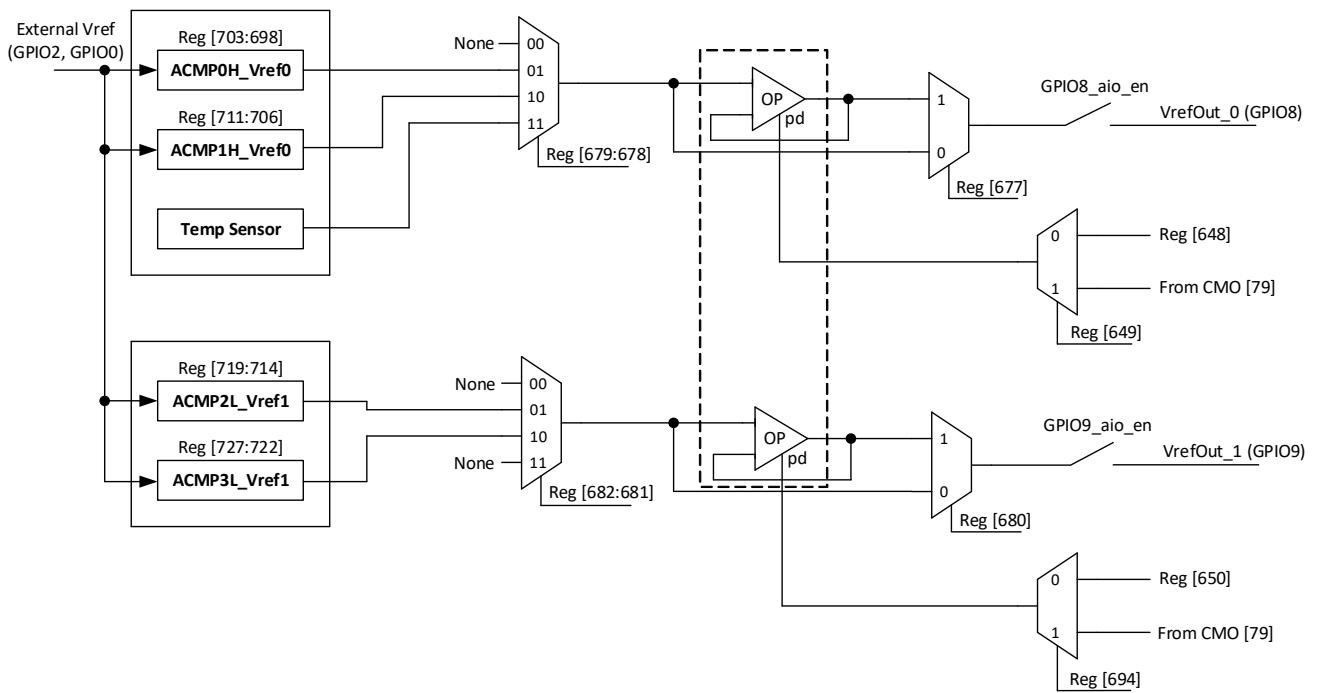


Figure 80. Voltage Reference Block Diagram

12.4 Vref Load Regulation

Note 1: It is not recommended to use Vref connected to external pin without buffer.

Note 2: Vref buffer performance is not guaranteed at $V_{DD} < 2.7$ V.

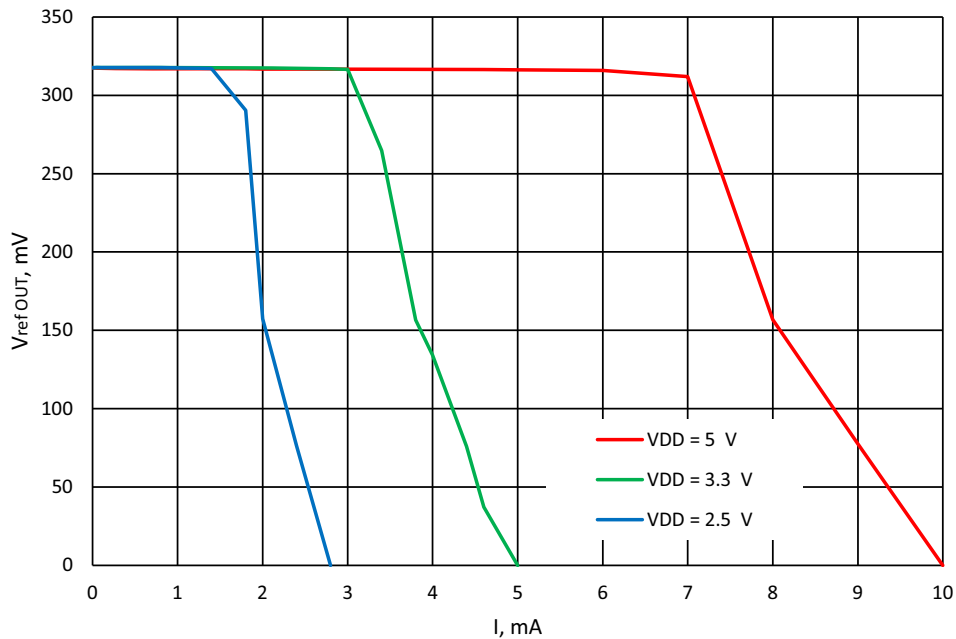


Figure 81. Typical Load Regulation, Vref = 320 mV, $T_A = -40$ °C to +125 °C, Buffer - Enabled

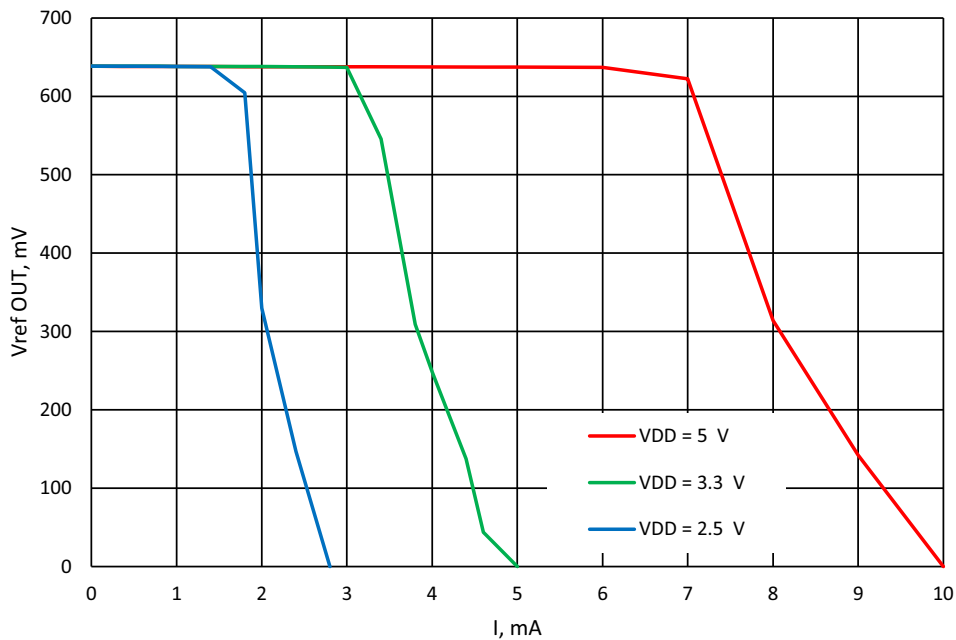


Figure 82. Typical Load Regulation, Vref = 640 mV, $T_A = -40$ °C to +125 °C, Buffer - Enabled

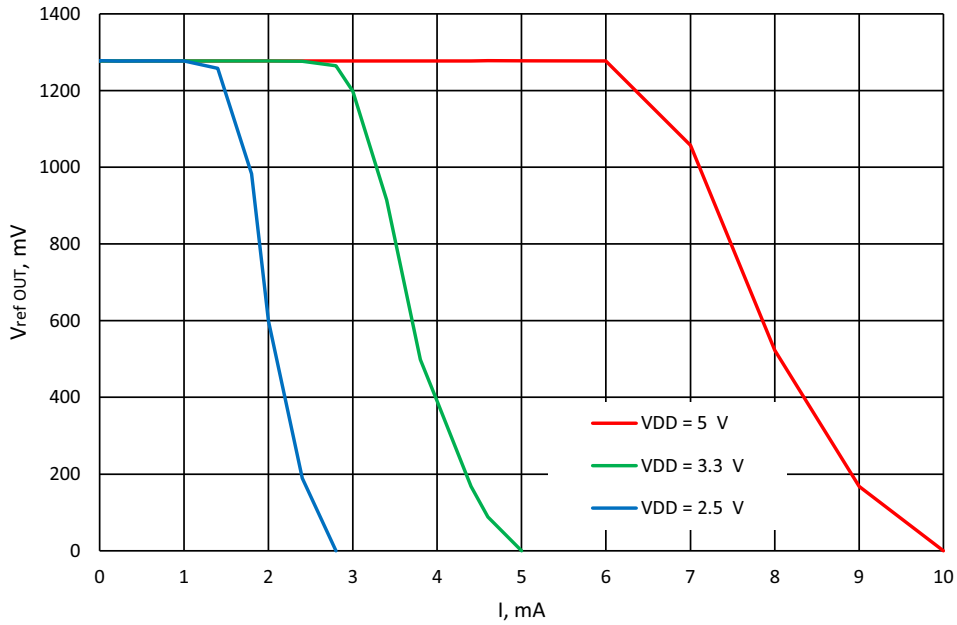


Figure 83. Typical Load Regulation, V_{ref} = 1280 mV, T_A = -40 °C to +125 °C, Buffer - Enabled

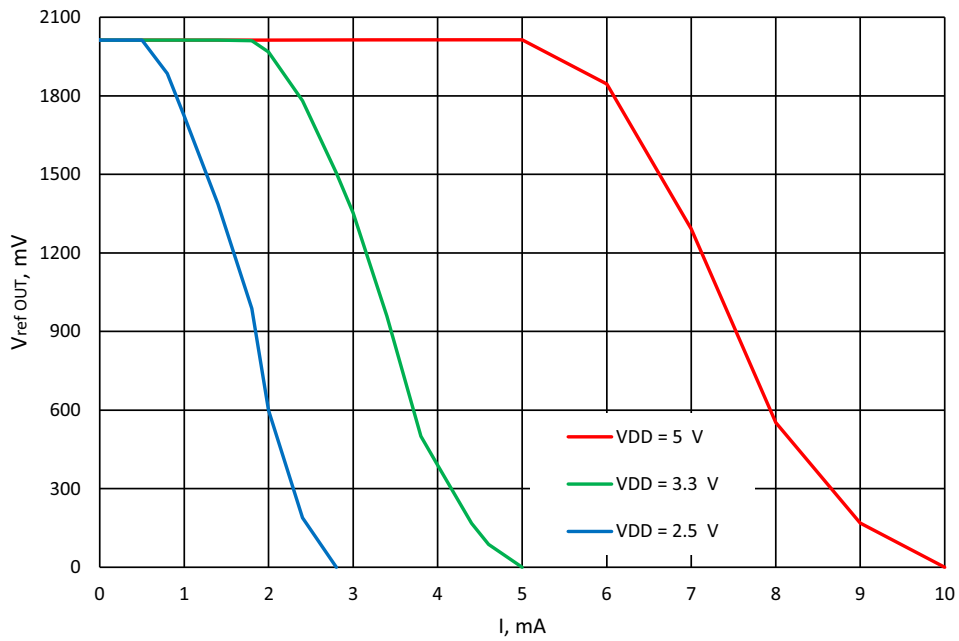


Figure 84. Typical Load Regulation, V_{ref} = 2016 mV, T_A = -40 °C to +125 °C, Buffer - Enabled

13. Clocking

13.1 OSC General Description

The SLG46857-A has three internal oscillators to support a variety of applications:

- Oscillator0 (2.048 kHz)
- Oscillator1 (2.048 MHz)
- Oscillator2 (25 MHz).

There are two divider stages for each oscillator that gives the user flexibility for introducing clock signals to connection matrix, as well as various other macrocells. The pre-divider (first stage) for Oscillator allows the selection of /1, /2, /4 or /8 to divide down frequency from the fundamental. The second stage divider has an input of frequency from the pre-divider, and outputs one of eight different frequencies divided by /1, /2, /3, /4, /8, /12, /24 or /64 on Connection Matrix Input lines [53], [54], and [55]. Please see [Figure 88](#) for more details on the SLG46857-A clock scheme.

Oscillator2 (25 MHz) has an additional function of 100 ns delayed startup, which can be enabled/disabled by register [749]. This function is recommended to use when analog blocks are used along with the Oscillator.

The Matrix Power-Down/Force-On function allows switching off or force on the oscillator using an external pin. The Matrix Power-Down/Force-On (Connection Matrix Output [80], [81], [82]) signal has the highest priority. The OSC operates according to the following table:

Table 53. Oscillator Operation Mode Configuration Settings

POR	External Clock selection	Signal from Connection matrix	Register: Power-Down or Force On by matrix input	Register: Auto Power-On or Force On	OSC Enable Signal from CNT/DLY macrocells	OSC operation mode
0	X	X	X	X	X	OFF
1	1	X	X	X	X	Internal OSC is OFF, logic is ON
1	0	1	0	X	X	OFF
1	0	1	1	X	X	ON
1	0	0	X	1	X	ON
1	0	0	X	0	CNT/DLY requires OSC	ON
1	0	0	X	0	CNT/DLY does not require OSC	OFF

[1] The OSC will run only when any macrocell that uses OSC is powered on.

13.2 Oscillator0 (2.048 kHz)

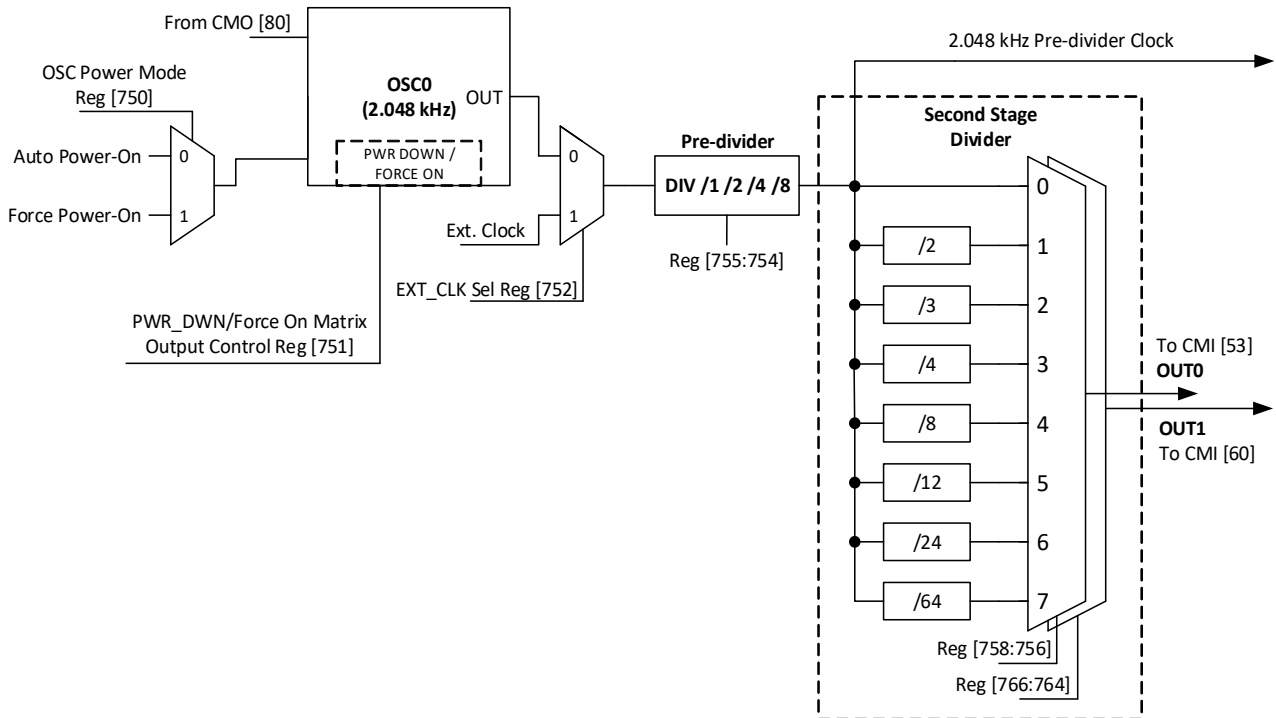


Figure 85. Oscillator0 Block Diagram

13.3 Oscillator1 (2.048 MHz)

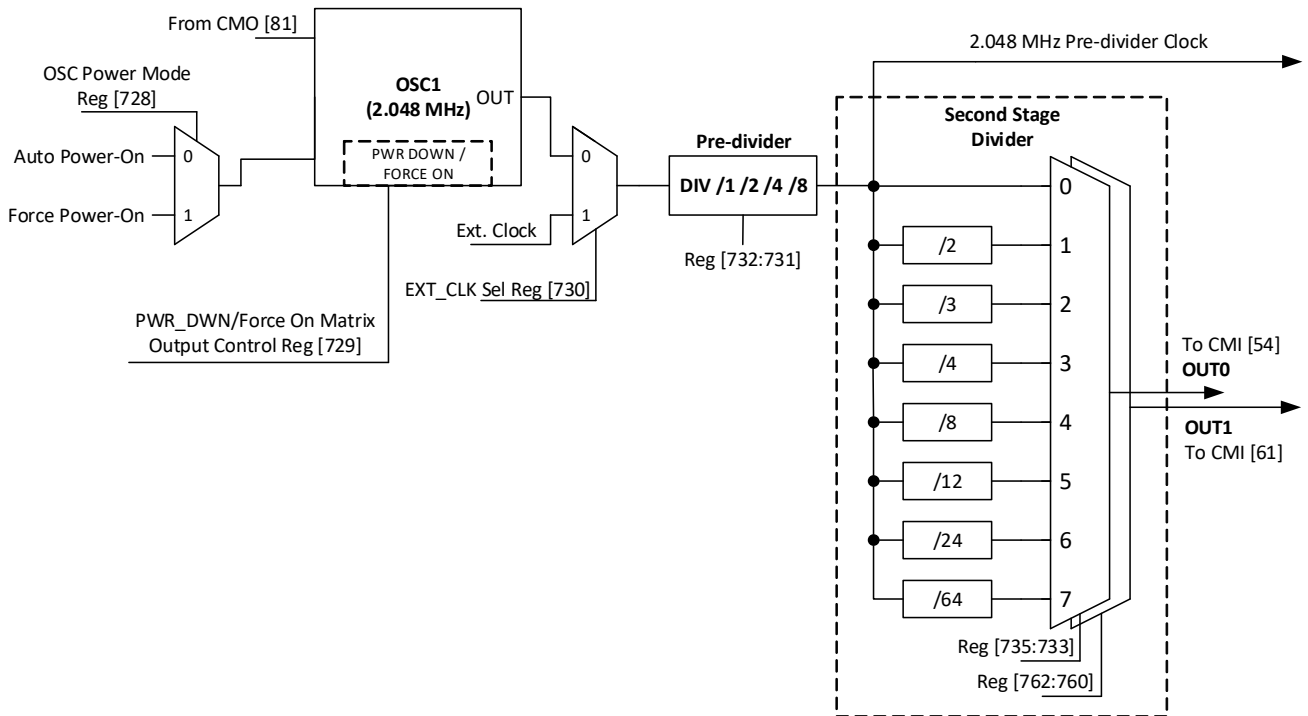


Figure 86. Oscillator1 Block Diagram

13.4 Oscillator2 (25 MHz)

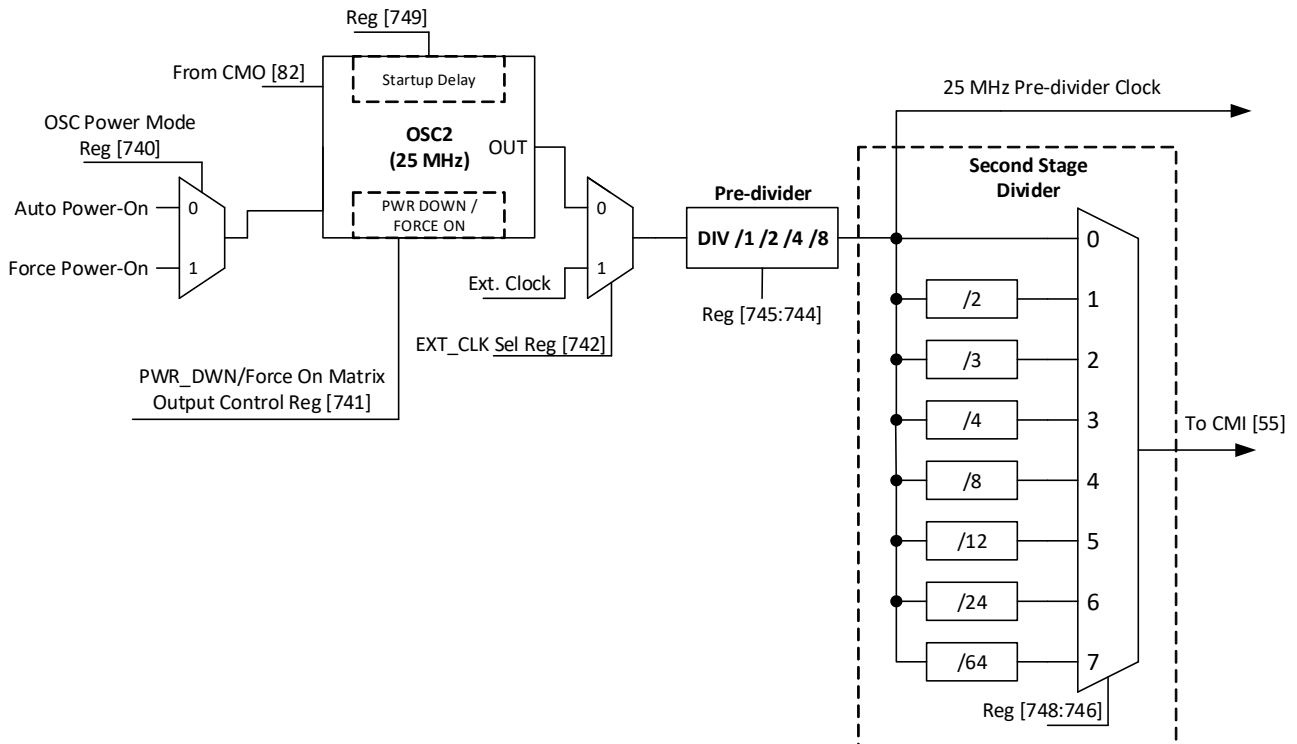


Figure 87. Oscillator2 Block Diagram

13.5 CNT/DLY Clock Scheme

Each CNT/DLY within Multi-Function macrocell has its own additional clock divider connected to oscillators pre-divider. Available dividers are:

- OSC0/1, OSC0/8, OSC0/64, OSC0/512, OSC0/4096, OSC0/32768, OSC0/262144
- OSC1/1, OSC1/8, OSC1/64, OSC1/512
- OSC2/1, OSC2/4

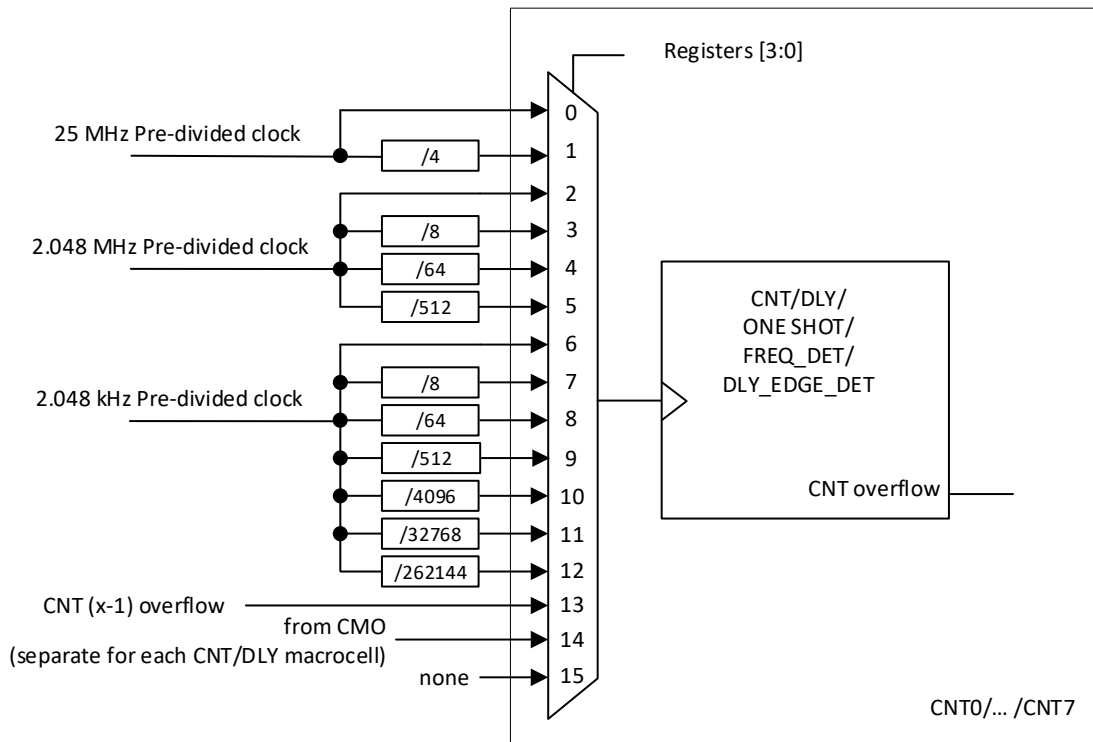


Figure 88. Clock Scheme

13.6 External Clocking

The SLG46857-A supports several ways to use an external, higher accuracy clock as a reference source for internal operations.

13.6.1 GPIO Source for Oscillator0 (2.048 kHz)

When register [752] is set to 1, an external clocking signal on GPIO will be routed in place of the internal oscillator derived 2.048 kHz clock source. See [Figure 85](#). The low and high limits for external frequency that can be selected are 0 MHz and 10 MHz.

13.6.2 GPIO2 Source for Oscillator1 (2.048 MHz)

When register [730] is set to 1, an external clocking signal on GPIO2 will be routed in place of the internal oscillator derived 2.048 MHz clock source. See [Figure 86](#). The low and high limits for external frequency that can be selected are 0 MHz and 10 MHz.

13.6.3 GPIO8 Source for Oscillator2 (25 MHz)

When register [742] is set to 1, an external clocking signal on GPIO8 will be routed in place of the internal oscillator derived 25 MHz clock source. See [Figure 87](#). The external frequency range is 0 MHz to 20 MHz at $V_{DD} = 2.3\text{ V}$, 30 MHz at $V_{DD} = 3.3\text{ V}$, 50 MHz at $V_{DD} = 5.0\text{ V}$. When an external clock is selected for OSC2, the oscillator's output signal will be inverted with respect to the GPIO8 input signal.

13.7 Oscillators Power-On Delay

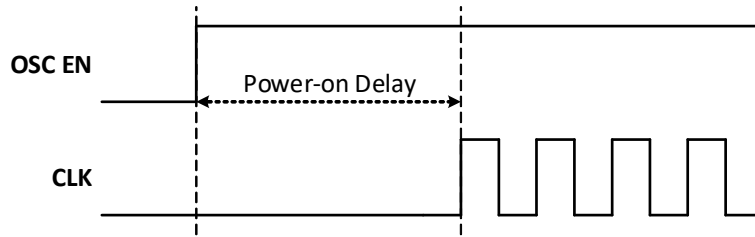


Figure 89. Oscillator Startup Diagram

Note 1: OSC power mode: “Auto Power-On”.

Note 2: OSC enable” signal appears when any macrocell that uses OSC is powered on.

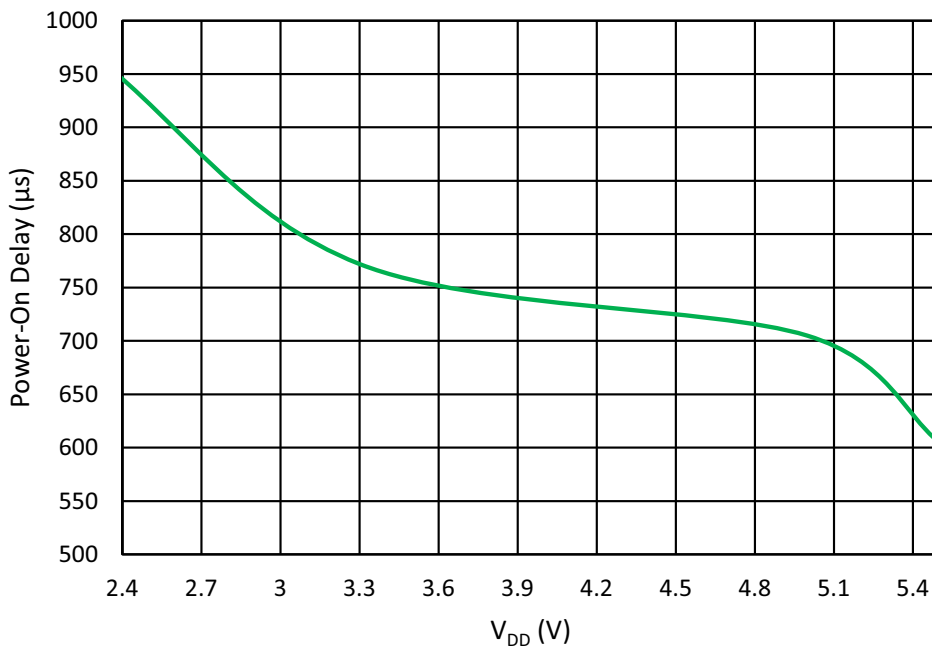


Figure 90. Oscillator0 Maximum Power-On Delay vs. V_{DD} at T_A = 25 °C, OSC0 = 2.048 kHz

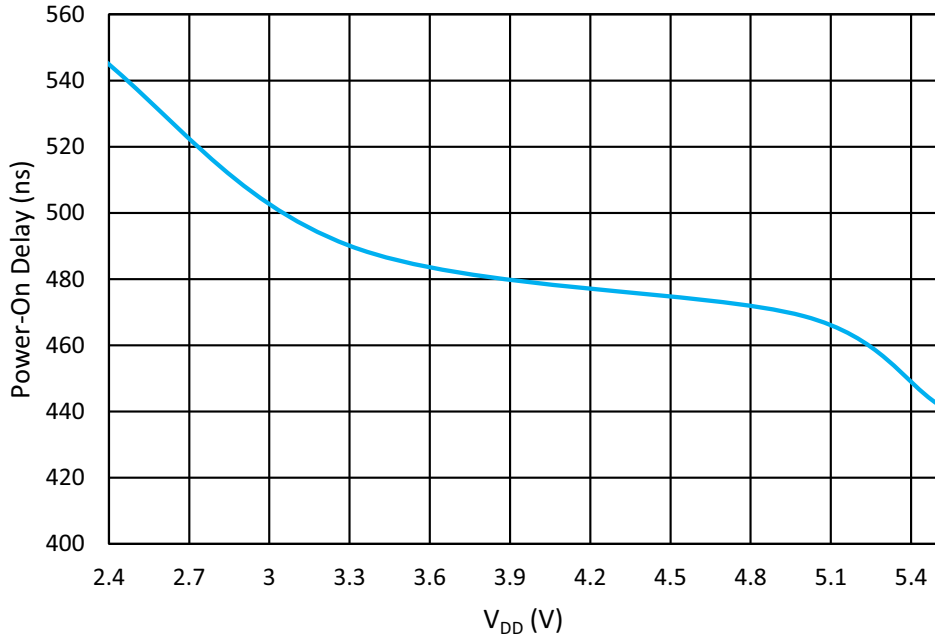


Figure 91. Oscillator1 Maximum Power-On Delay vs. V_{DD} at T_A = 25 °C, OSC1 = 2.048 MHz

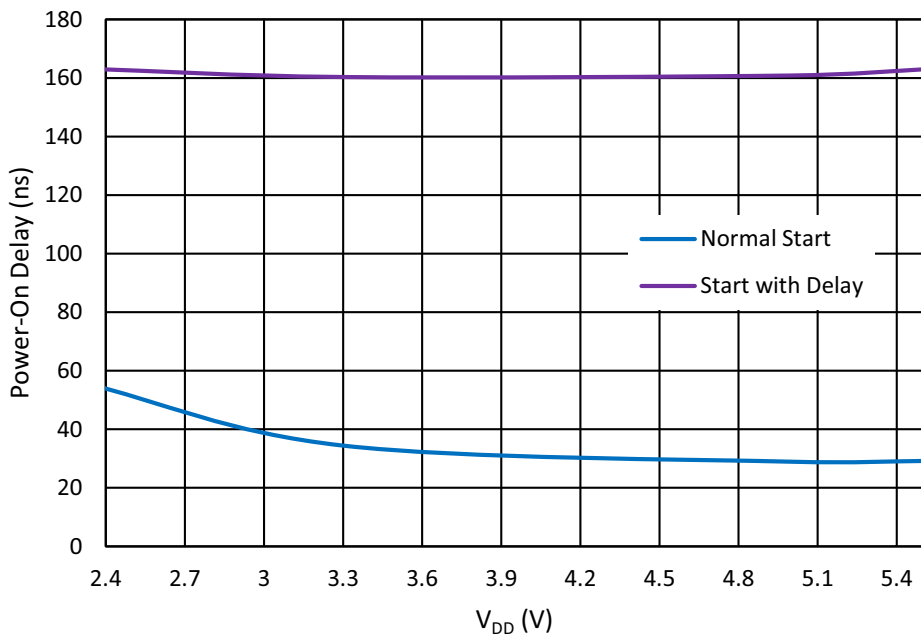


Figure 92. Oscillator1 Maximum Power-On Delay vs. V_{DD} at T_A = 25 °C, OSC1 = 2.048 MHz

13.8 Oscillators Accuracy

Note 1: OSC power setting: Force Power-On; Clock to matrix input - enable; Bandgap: turn on by register - enable.

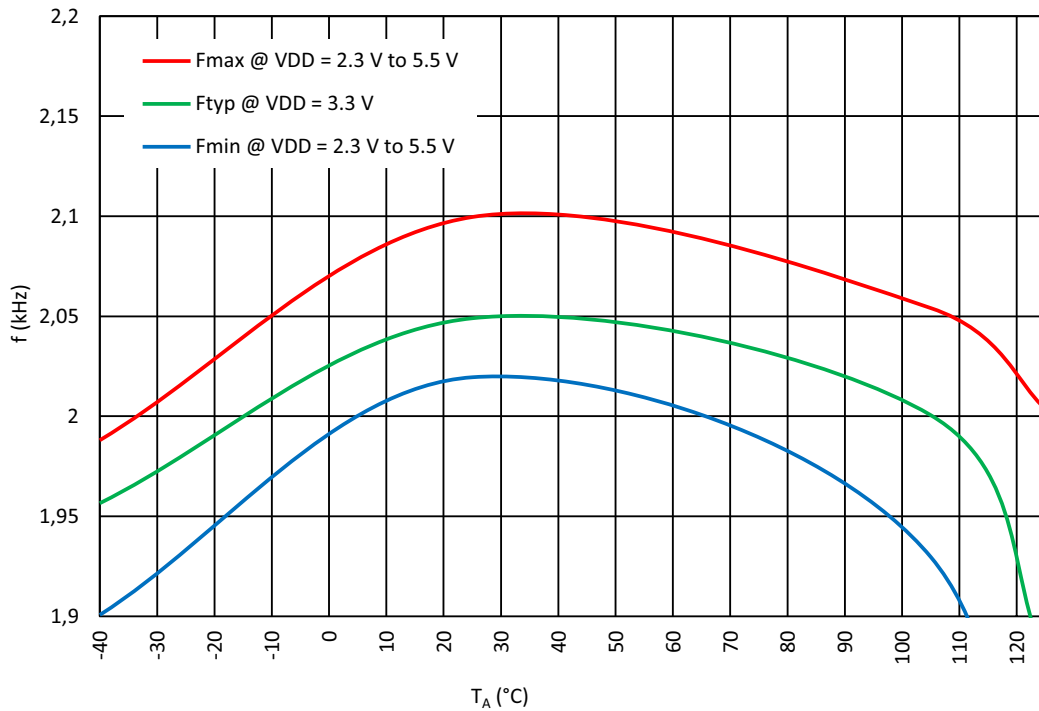


Figure 93. Oscillator0 Frequency vs. Temperature, OSC0 = 2.048 kHz

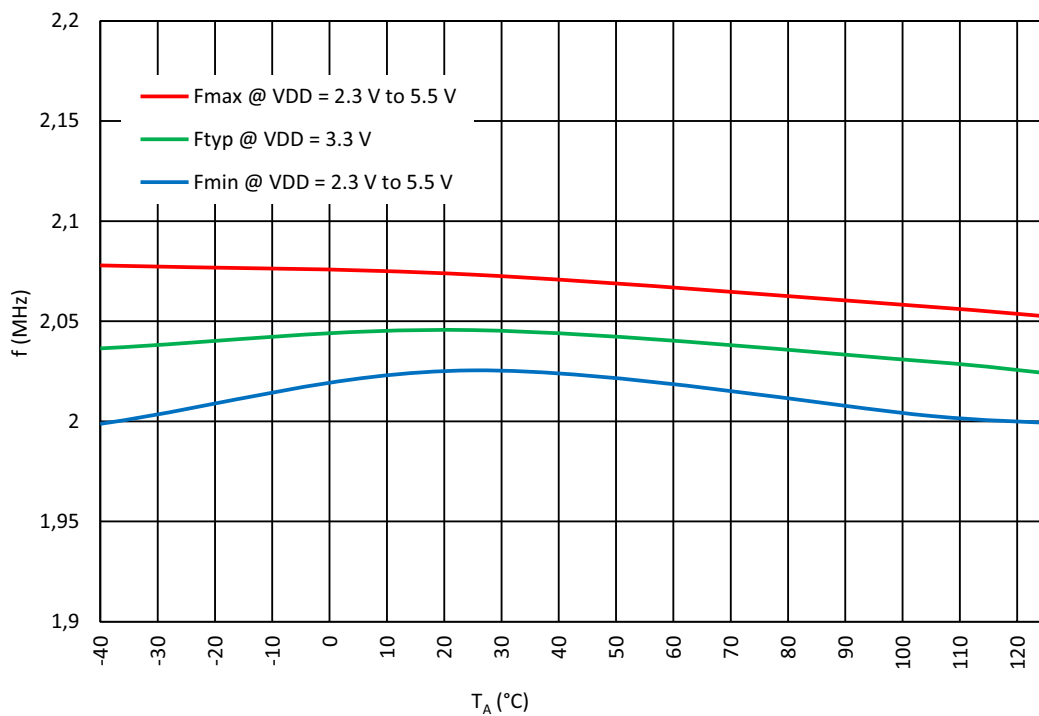


Figure 94. Oscillator1 Frequency vs. Temperature, OSC1 = 2.048 MHz

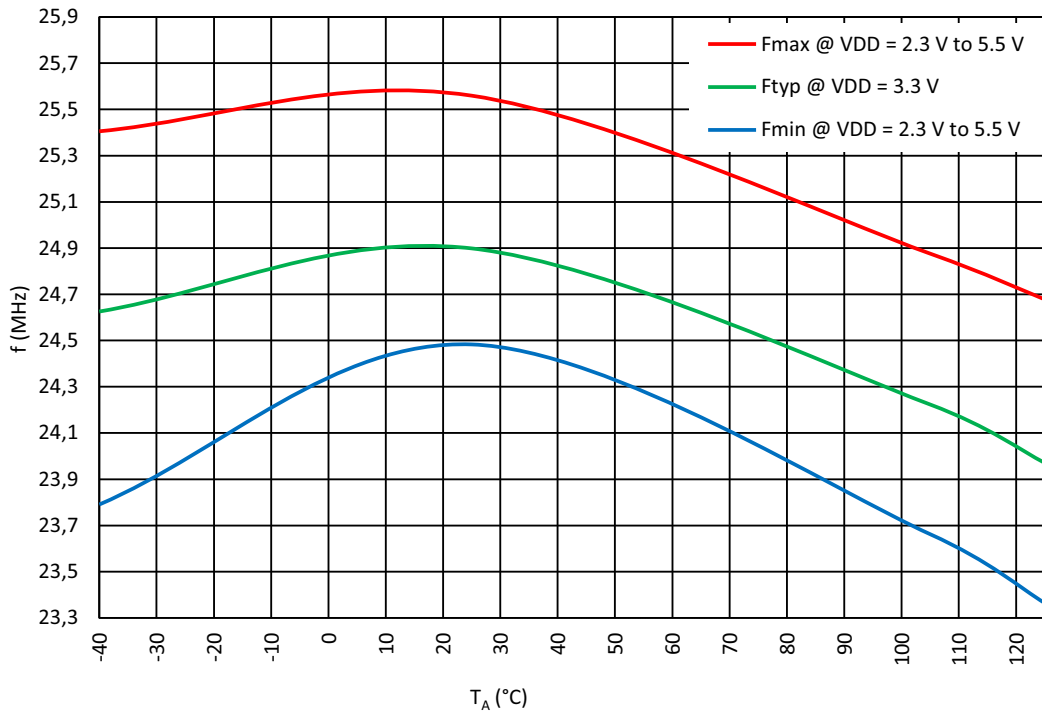


Figure 95. Oscillator2 Frequency vs. Temperature, OSC1 = 25 MHz

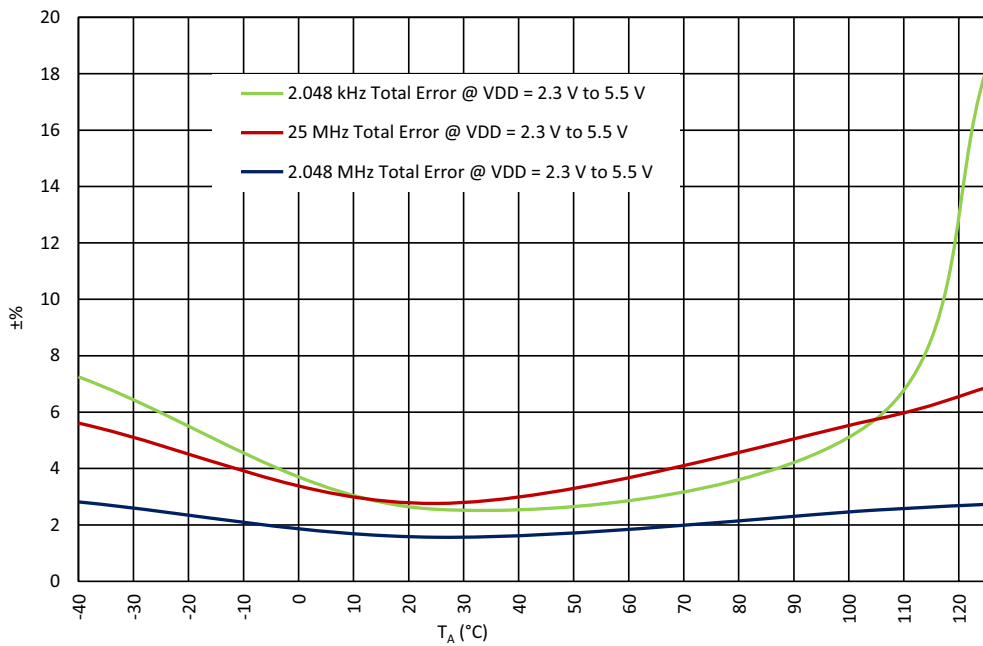


Figure 96. Oscillators Total error vs. Temperature

Note 2: For more information see section 3.9 Oscillator Specifications.

13.9 Oscillators Settling Time

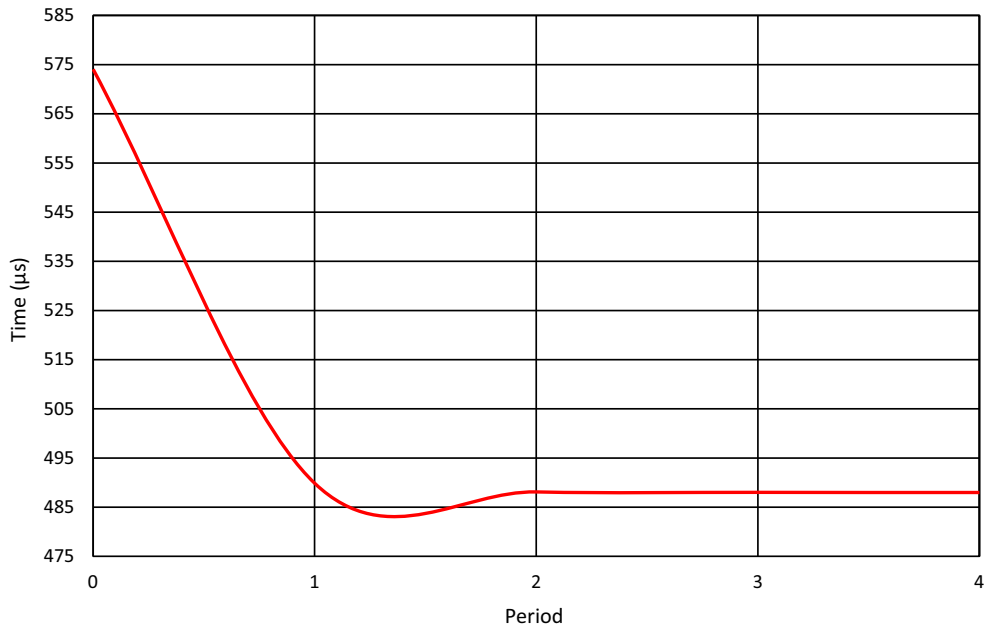


Figure 97. Oscillator0 Settling Time, $V_{DD} = 3.3\text{ V}$, $T_A = 25\text{ }^\circ\text{C}$, $OSC0 = 2.048\text{ kHz}$

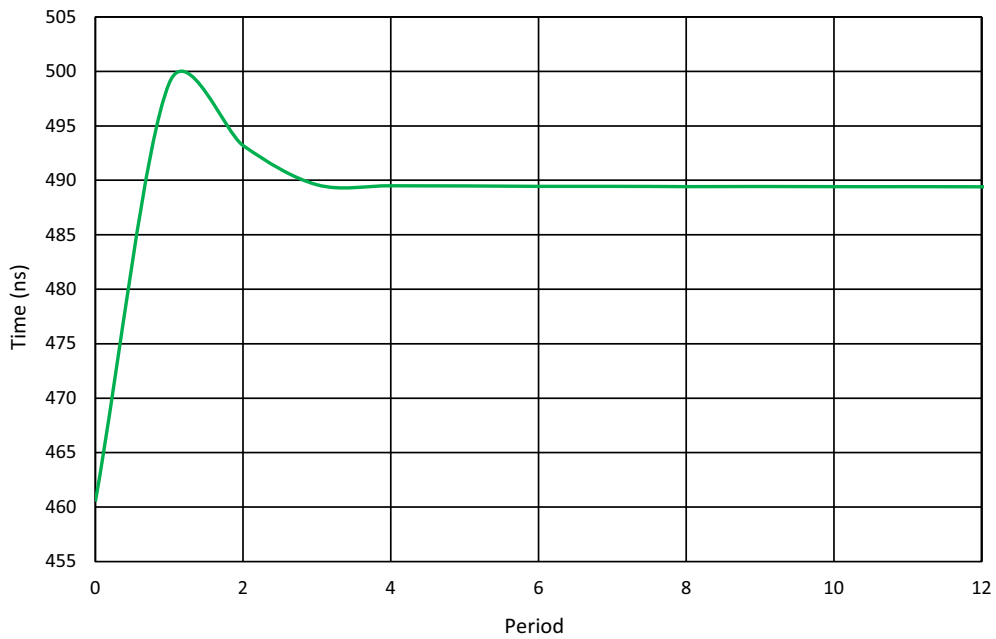


Figure 98. Oscillator1 Settling Time, $V_{DD} = 3.3\text{ V}$, $T_A = 25\text{ }^\circ\text{C}$, $OSC1 = 2.048\text{ MHz}$

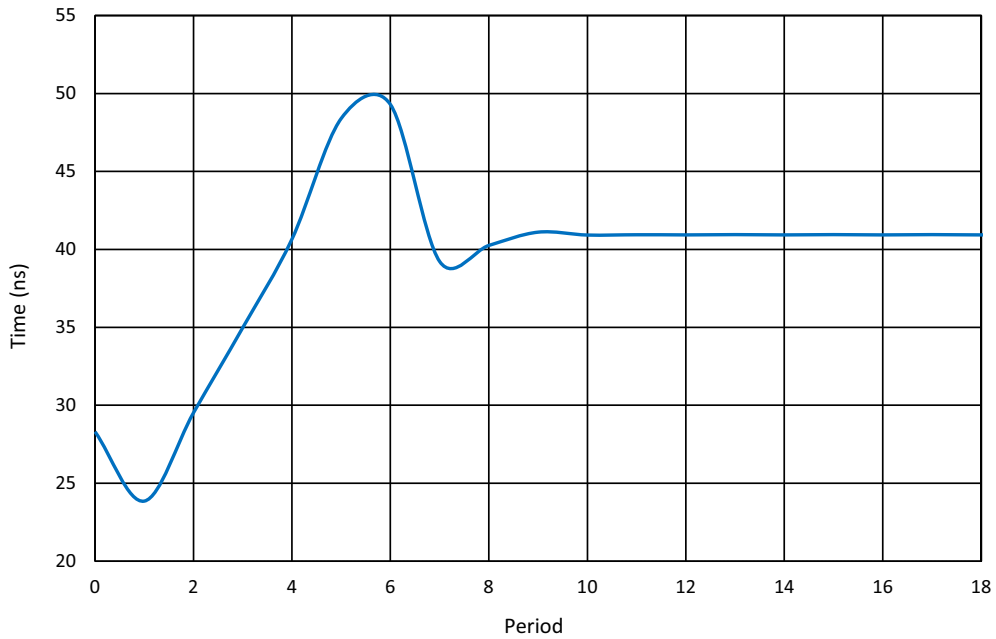


Figure 99. Oscillator2 Settling Time, $V_{DD} = 3.3\text{ V}$, $T_A = 25\text{ }^\circ\text{C}$, OSC2 = 25 MHz (Normal Start)

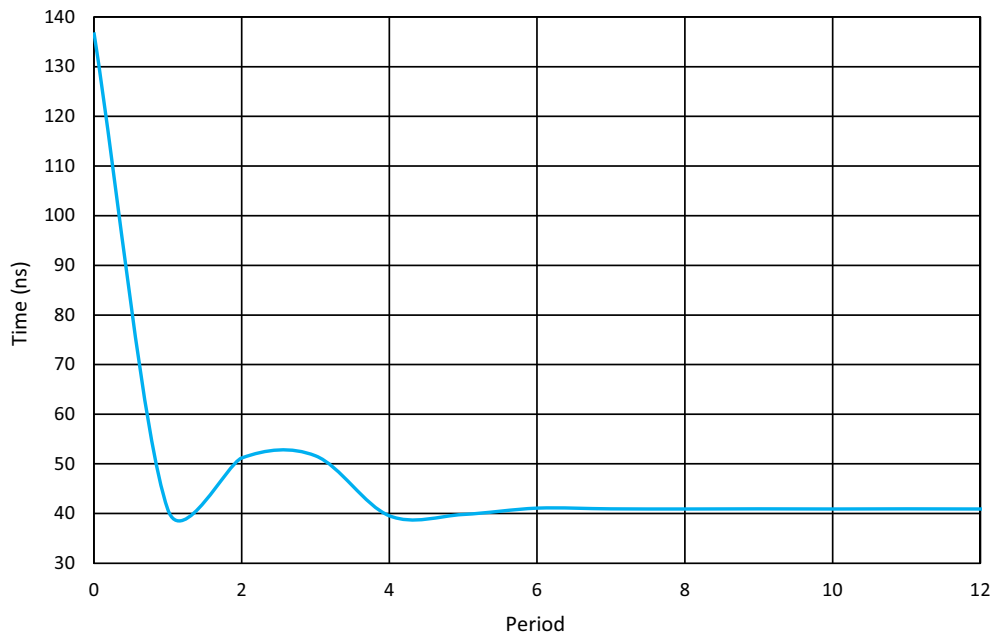


Figure 100. Oscillator2 Settling Time, $V_{DD} = 3.3\text{ V}$, $T_A = 25\text{ }^\circ\text{C}$, OSC2 = 25 MHz (Start with Delay)

14. Power-On Reset

The SLG46857-A has a Power-On Reset (POR) macrocell to ensure correct device initialization and operation of all macrocells in the device. The purpose of the POR circuit is to have consistent behavior and predictable results when the V_{DD} power is first ramping to the device, and also while the V_{DD} is falling during Power-down. To accomplish this goal, the POR drives a defined sequence of internal events that trigger changes to the states of different macrocells inside the device, and finally to the state of the IOs.

14.1 General Operation

The SLG46857-A is guaranteed to be powered down and non-operational when the V_{DD} voltage (voltage on Pin 1) is less than Power-Off Threshold (see in [Table 7](#)), but not less than -0.6 V. Another essential condition for the chip to be powered down is that no voltage higher ([Note 1](#)) than the V_{DD} voltage is applied to any other Pin. For example, if V_{DD} voltage is 0.3 V, applying a voltage higher than 0.3 V to any other pin is incorrect, and can lead to incorrect or unexpected device behavior.

Note 1: There is a 0.6 V margin due to forward drop voltage of the ESD protection diodes.

To start the POR sequence in the SLG46857-A, the voltage applied on the V_{DD} should be higher than the Power-On Threshold ([Note 2](#)). The full operational V_{DD} range for the SLG46857-A is 2.3 V to 5.5 V. This means that the V_{DD} voltage must ramp up to the operational voltage value, but the POR sequence will start earlier, as soon as the V_{DD} voltage rises to the Power-On threshold. After the POR sequence is started, the SLG46857-A will have a typical period of time to go through all the steps in the sequence (noted in the datasheet for that device) and will be ready and completely operational after the POR sequence is complete.

Note 2: The Power-On Threshold is defined in [Table 7](#).

To power down the chip the V_{DD} voltage should be lower than the operational and to guarantee that chip is powered down it should be less than Power-Off threshold.

All Pins are in high impedance state when the chip is powered down and while the POR sequence is taking place. The last step in the POR sequence releases the IO structures from the high impedance state, at which time the device is operational. The pin configuration at this point in time is defined by the design programmed into the chip. Also, as it was mentioned before the voltage on Pins can't be bigger than the V_{DD} , this rule also applies to the case when the chip is powered on.

14.2 POR Sequence

The POR system generates a sequence of signals that enable certain macrocells. The sequence is shown in Figure 101.

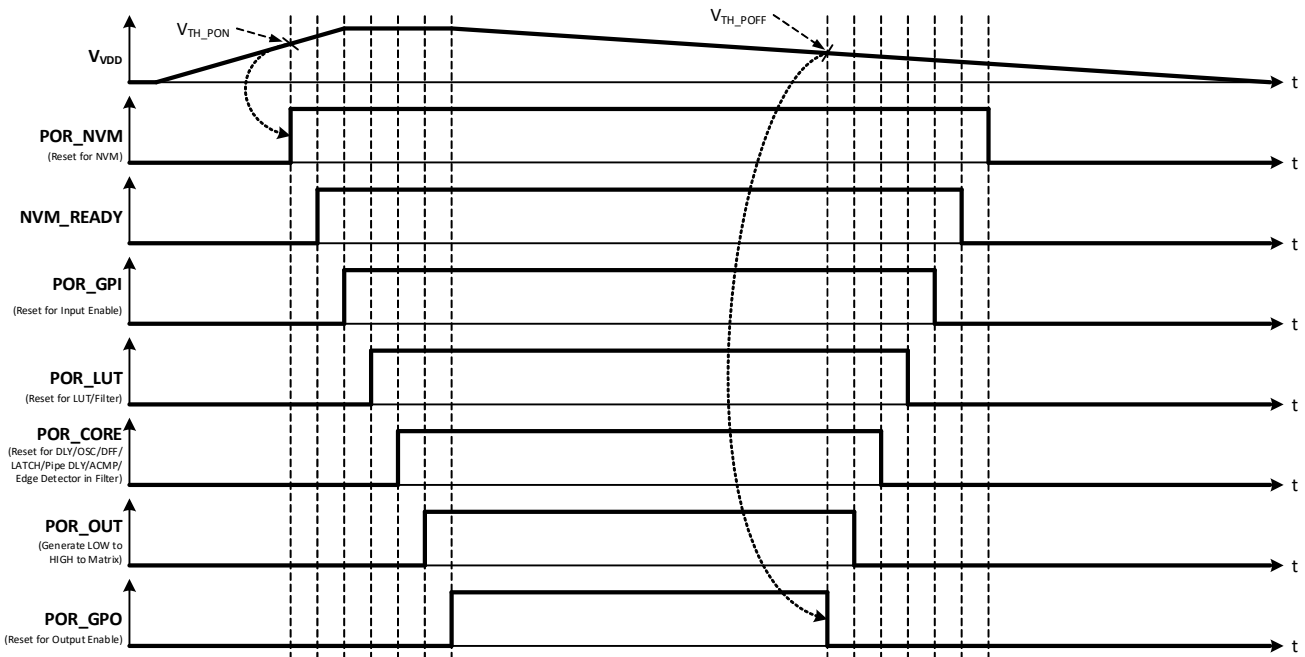


Figure 101. POR Sequence

As can be seen from Figure 101 after the V_{DD} has start ramping up and crosses the Power-On threshold, first, the on-chip NVM memory is reset. Next, the chip reads the data from NVM, and transfers this information to a CMOS LATCH that serves to configure each macrocell, and the Connection Matrix which routes signals between macrocells. The third stage causes the reset of the input pins, and then to enable them. After that, the LUTs are reset and become active. After LUTs the Delay cells, OSCs, DFFs, LATCHES, and Pipe Delay are initialized. Only after all macrocells are initialized internal POR signal (POR macrocell output) goes from LOW to HIGH. The last portion of the device to be initialized are the output pins, which transition from high impedance to active at this point.

The typical time that takes to complete the POR sequence varies by device type in the GreenPAK family. It also depends on many environmental factors, such as: slew rate, V_{DD} value, temperature, and even will vary from chip to chip (process influence).

14.3 Macrocells Output States during POR Sequence

To have a full picture of SLG46857-A operation during powering and POR sequence, review the overview the macrocell output states during the POR sequence (Figure 102 describes the output signals states).

First, before the NVM has been reset, all macrocells have their output set to logic LOW (except the output pins which are in high impedance state). On the next step, some of the macrocells start initialization: input pins output state becomes LOW; LUTs also output LOW. Only P_DLY macrocell configured as edge detector becomes active at this time. After that input pins are enabled.

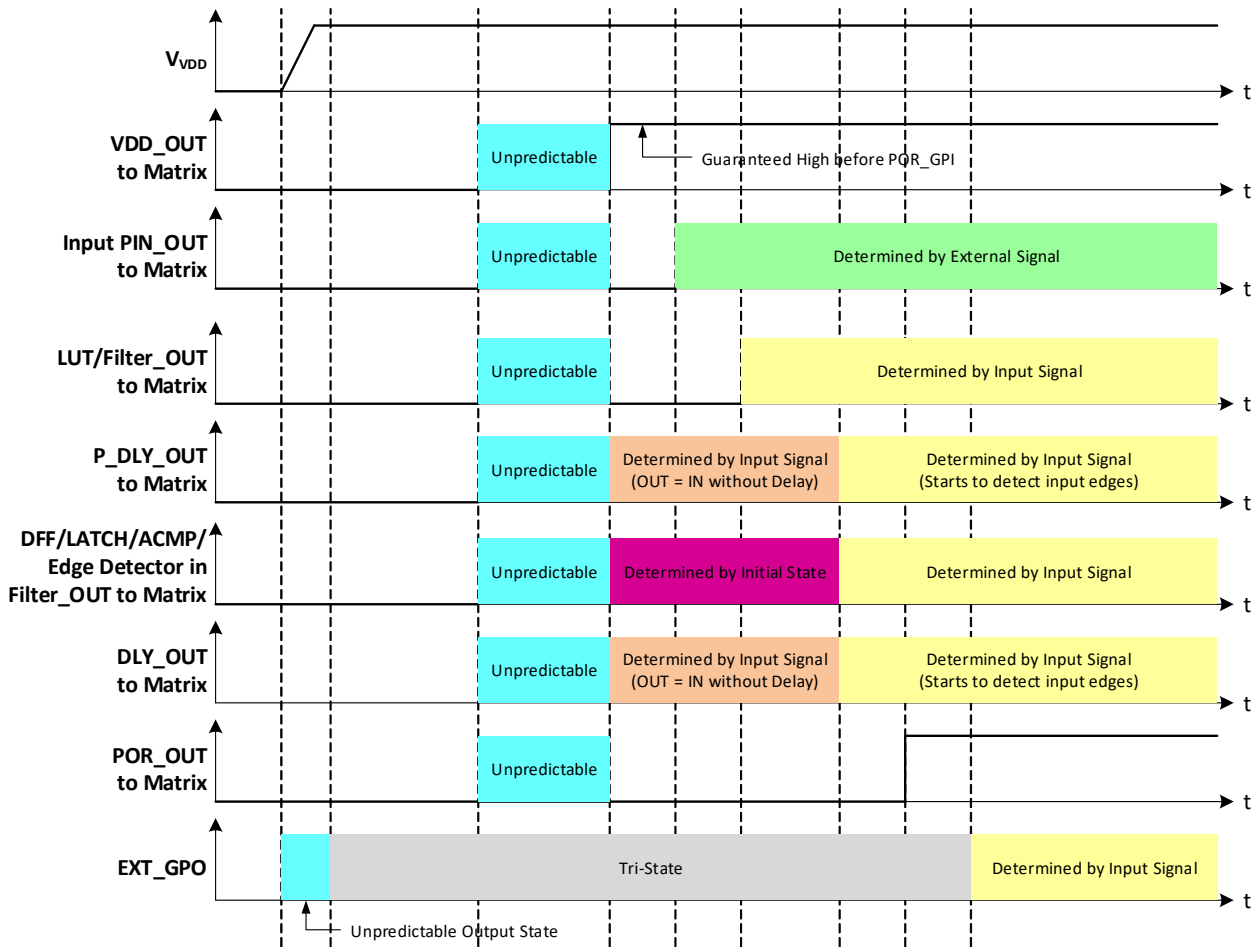


Figure 102. Internal Macrocell States during POR Sequence

14.3.1 Initialization

All internal macrocells by default have initial low level. Starting from indicated power-up time of 1.56 V to 2.03 V, macrocells in SLG46857-A are powered on while forced to the reset state. All outputs are in Hi-Z and chip starts loading data from NVM. Then the reset signal is released for internal macrocells and they start to initialize according to the following sequence:

1. Input pins, ACMP, Pull-up/down.
2. LUTs.
3. DFFs, Delays/Counters, Pipe Delay.
4. POR output to matrix.
5. Output pin corresponds to the internal logic.

The V_{ref} output pin driving signal can precede POR output signal going high by 3 ms to 5 ms. The POR signal going high indicates the mentioned power-up sequence is complete.

Note: The maximum voltage applied to any pin should not be higher than the V_{DD} level. There are ESD Diodes between pin $\rightarrow V_{DD}$ and pin $\rightarrow GND$ on each pin. So, if the input signal applied to pin is higher than V_{DD} , then current will sink through the diode to V_{DD} . Exceeding V_{DD} results in leakage current on the input pin, and V_{DD} will

be pulled up, following the voltage on the input pin. There is no effect from input pin when input voltage is applied at the same time as V_{DD} .

14.3.2 Power-Down

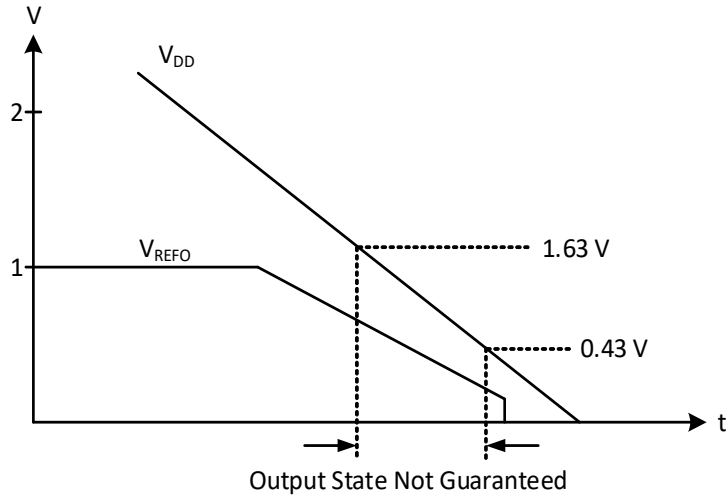


Figure 103. Power-Down

During Power-down, macrocells in SLG46857-A are powered off after V_{DD} falling down below Power-Off Threshold. Please note that during a slow rampdown, outputs can possibly switch state during this time.

15. I²C Serial Communications Macrocell

15.1 I²C Serial Communications Macrocell Overview

In the standard use case for the GreenPAK devices, the configuration choices made by the user are stored as bit settings in the Non-Volatile Memory (NVM), and this information is transferred at startup time to volatile RAM registers that enable the configuration of the macrocells. Other RAM registers in the device are responsible for setting the connections in the Connection Matrix to route signals in the manner most appropriate for the user's application.

The I²C Serial Communications Macrocell in this device allows an I²C bus Master to read and write this information via a serial channel directly to the RAM registers, allowing the remote re-configuration of macrocells, and remote changes to signal chains within the device.

An I²C bus Master is also able to read and write other register bits that are not associated with NVM memory. As an example, the input lines to the Connection Matrix can be read as digital register bits. These are the signal outputs of each of the macrocells in the device, giving an I²C bus Master the capability to remotely read the current value of any macrocell.

The user has the flexibility to control read access and write access via registers bits registers [1967:1965]. See Section [15.5 I²C Serial Command Register Map](#) for more details on I²C read/write memory protection.

15.2 I²C Serial Communications Device Addressing

Each command to the I²C Serial Communications macrocell begins with a Control Byte. The bits inside this Control Byte are shown in [Figure 104](#). After the Start bit, the first four bits are a control code. Each bit in a control code can be sourced independently from the register or by value defined externally by GPIO0, GPIO2, GPIO4, and GPIO5. The LSB of the control code is defined by the value of GPIO0, while the MSB is defined by the value of GPIO5. The address source (either register bit or PIN) for each bit in the control code is defined by registers [2027:2024]. This gives the user flexibility on the chip level addressing of this device and other devices on the same I²C bus. The Block Address is the next three bits (A10, A9, A8), which will define the most significant bits in the addressing of the data to be read or written by the command. The last bit in the Control Byte is the R/W bit, which selects whether a read command or write command is requested, with a "1" selecting for a Read command, and a "0" selecting for a Write command. This Control Byte will be followed by an Acknowledge bit (ACK), which is sent by this device to indicate successful communication of the Control Byte data.

In the I²C-bus specification and user manual, there are two groups of eight addresses (0000 xxx and 1111 xxx) that are reserved for the special functions, such as a system General Call address. If the user of this device chooses to set the Control Code to either "1111" or "0000" in a system with other slave device, please consult the I²C-bus specification and user manual to understand the addressing and implementation of these special functions, to insure reliable operation.

In the read and write command address structure, there are a total of 11 bits of addressing, each pointing to a unique byte of information, resulting in a total address space of 2K bytes. Of this 2K byte address space, the valid addresses accessible to the I²C Macrocell on the SLG46857-A are in the range from 0 (0x00) to 255 (0xFF). The MSB address bits (A10, A9, and A8) will be "0" for all commands to the SLG46857-A.

With the exception of the Current Address Read command, all commands will have the Control Byte followed by the Word Address. [Figure 104](#) shows this basic command structure.

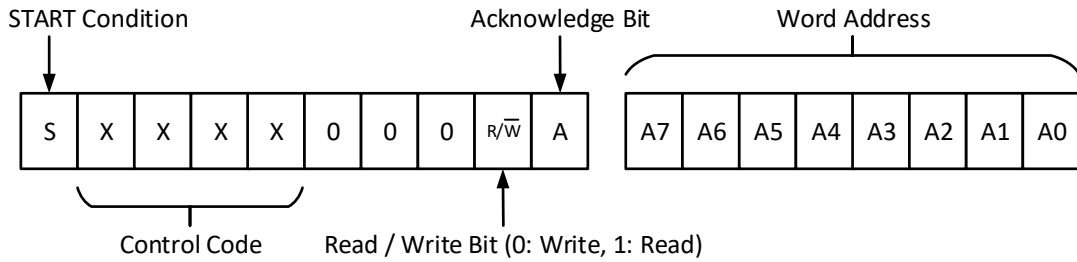


Figure 104. Basic Command Structure

15.3 I²C Serial Communications General Timing

General timing characteristics for the I²C Serial Communications macrocell are shown in Figure 105. Timing specifications can be found in the AC Characteristics section.

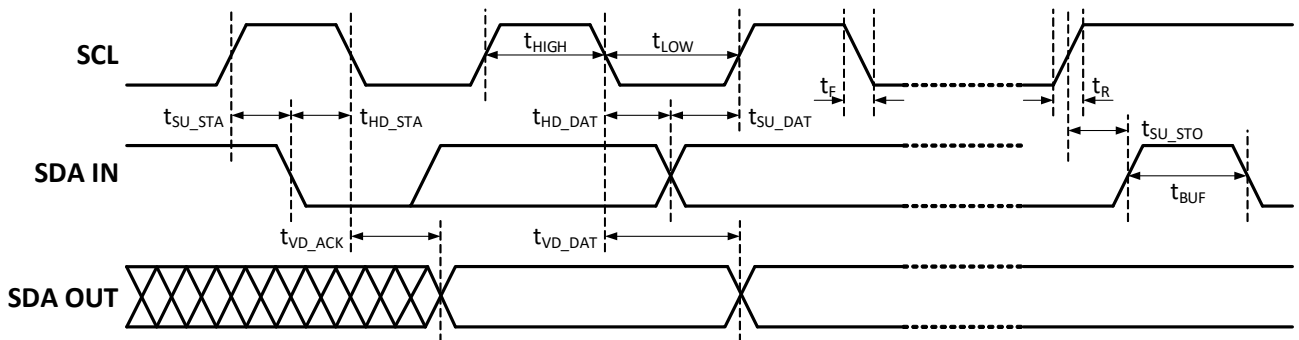


Figure 105. I²C General Timing Characteristics

15.4 I²C Serial Communications Commands

15.4.1 Byte Write Command

Following the Start condition from the Master, the Control Code [4 bits], the Block Address [3 bits], and the R/W bit (set to “0”) are placed onto the I²C bus by the Master. After the SLG46857-A sends an Acknowledge bit (ACK), the next byte transmitted by the Master is the Word Address. The Block Address (A10, A9, A8), combined with the Word Address (A7 through A0), together set the internal address pointer in the SLG46857-A, where the data byte is to be written. After the SLG46857-A sends another Acknowledge bit, the Master will transmit the data byte to be written into the addressed memory location. The SLG46857-A again provides an Acknowledge bit and then the Master generates a Stop condition. The internal write cycle for the data will take place at the time that the SLG46857-A generates the Acknowledge bit.

It is possible to latch all IOs during I²C write command, register [1961] = 1 - Enable. It means that IOs will remain their state until the write command is done.

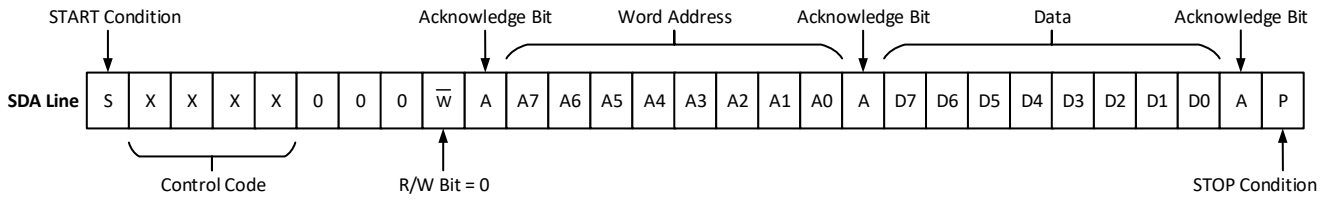


Figure 106. Byte Write Command, R/W = 0

15.4.2 Sequential Write Command

The write Control Byte, Word Address, and the first data byte are transmitted to the SLG46857-A in the same way as in a Byte Write command. However, instead of generating a Stop condition, the Bus Master continues to transmit data bytes to the SLG46857-A. Each subsequent data byte will increment the internal address counter, and will be written into the next higher byte in the command addressing. As in the case of the Byte Write command, the internal write cycle will take place at the time that the SLG46857-A generates the Acknowledge bit.

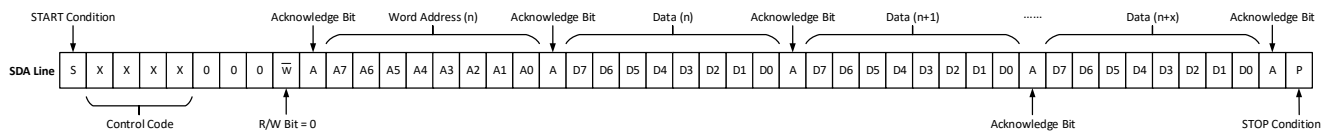


Figure 107. Sequential Write Command

15.4.3 Current Address Read Command

The Current Address Read Command reads from the current pointer address location. The address pointer is incremented at the first STOP bit following any write control byte. For example, if a Sequential Read Command (which contains a write control byte) reads data up to address n, the address pointer would get incremented to n + 1 upon the STOP of that command. Subsequently, a Current Address Read that follows would start reading data at n + 1. The Current Address Read Command contains the Control Byte sent by the Master, with the R/W bit = "1". The SLG46857-A will issue an Acknowledge bit, and then transmit eight data bits for the requested byte. The Master will not issue an Acknowledge bit, and follow immediately with a Stop condition.

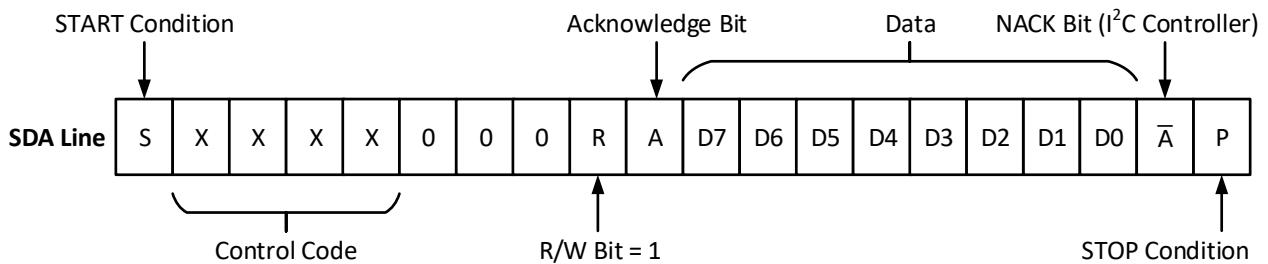


Figure 108. Current Address Read Command, R/W = 1

15.4.4 Random Read Command

The Random Read Command starts with a Control Byte (with R/W bit set to "0", indicating a Write Command) and Word Address to set the internal byte address, followed by a Start bit, and then the Control Byte for the read (exactly the same as the Byte Write command). The Start bit in the middle of the command will halt the decoding of a Write command, but will set the internal address counter in preparation for the second half of the command.

After the Start bit, the Bus Master issues a second control byte with the R/W bit set to “1”, after which the SLG46857-A issues an Acknowledge bit, followed by the requested eight data bits.

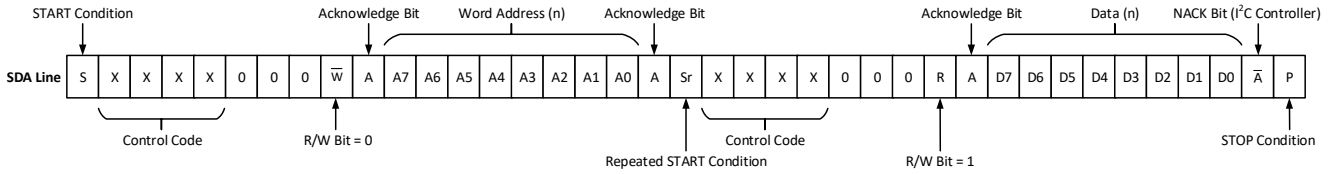


Figure 109. Random Read Command

15.4.5 Sequential Read Command

The Sequential Read Command is initiated in the same way as a Random Read Command, except that, once the SLG46857-A transmits the first data byte, the Bus Master issues an Acknowledge bit as opposed to a Stop condition in a random read. The Bus Master can continue reading sequential bytes of data, and will terminate the command with a Stop condition.

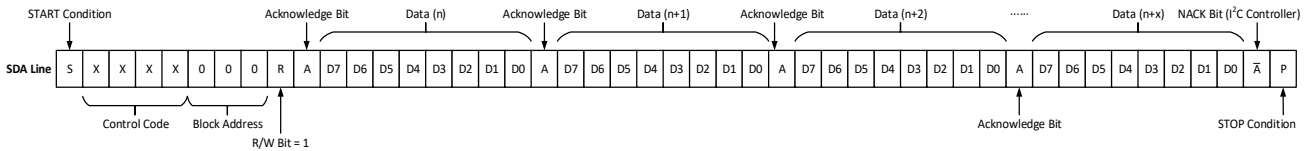


Figure 110. Sequential Read Command

15.4.6 I2C Serial Reset Command

If I2C serial communication is established with the device, it is possible to reset the device to initial power up conditions, including configuration of all macrocells, and all connections provided by the Connection Matrix. This is implemented by setting register [1960] I2C reset bit to “1”, which causes the device to re-enable the Power-On Reset (POR) sequence, including the reload of all register data from NVM. During the POR sequence, the outputs of the device will be in tri-state. After the reset has taken place, the contents of register [1960] will be set to “0” automatically. The Figure 111 illustrates the sequence of events for this reset function.

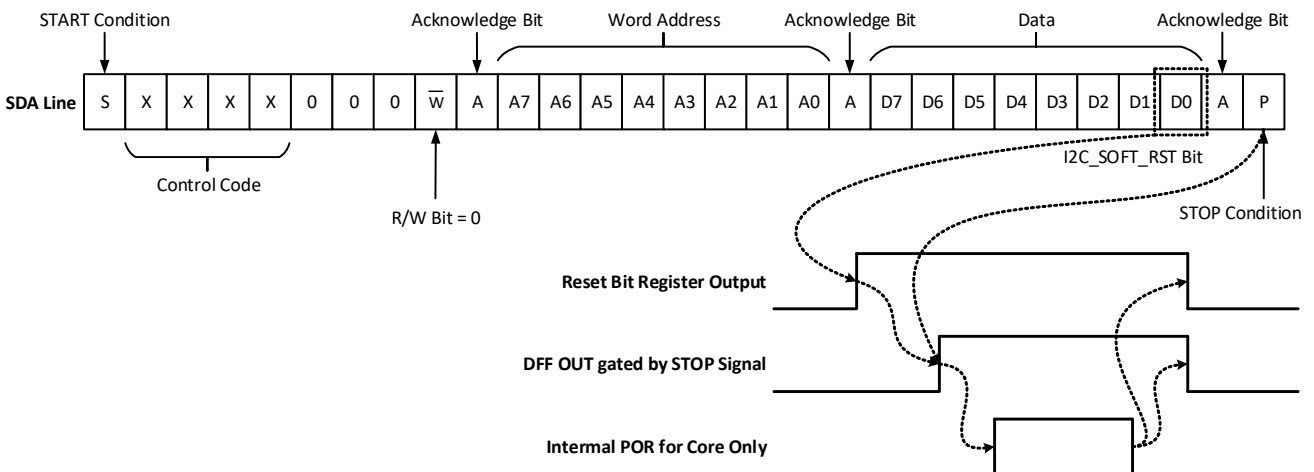


Figure 111. Reset Command Timing

15.5 I²C Serial Command Register Map

There are seven read/write protect modes for the design sequence from being corrupted or copied. See [Table 54](#) for details.

Table 54. Read/Write Protection Options

Configurations	Protection modes configuration							Data output from	Register address
	Unlocked	Partly Lock Read1	Partly Lock Read2	Partly Lock Read2/ Write	Lock Read	Lock Write	Lock Read/ Write		
	(Mode 0)	(Mode 1)	(Mode 2)	(Mode 3)	(Mode 4)	(Mode 5)	(Mode 6)		
I ² C Byte Write Bit Masking (section 15.6.3 I²C Byte Write Bit Masking)	R/W	R/W	R/W	R/W	W	R	-	Memory	0xF6
I ² C Serial Reset Command (section 15.6 I²C Additional Options)	R/W	R/W	R/W	R/W	W	R	-	Memory	0xF5,b'0
Outputs LATCHing during I ² C Write	R/W	R/W	R/W	R/W	W	R	-	Memory	0xF5,b'1
Connection Matrix Virtual Inputs (section 6.3 Connection Matrix Virtual Inputs)	R/W	R/W	R/W	R/W	W	R	-	Macrocell	0x4C
Configuration Bits for All Macrocells (IO Pins, ACMPs, Combination Function Macrocells, and others)	R/W	R/W	W	-	W	R	-	Memory	
Macrocells Inputs Configuration (Connection Matrix Outputs, section 6.2 Matrix Output Table)	R/W	W	W	-	W	R	-	Memory	0x00~0x47
Protection Mode Enable	R/W	R	R	R	R	R	R	Memory	0xF5,b'3
Protection Mode Selection	R/W	R	R	R	R	R	R	Memory	0xF5,b'7~5
Macrocells Output Values (Connection Matrix Inputs, section 6.1 Matrix Input Table)	R	R	R	R	-	R	-	Macrocell	0x48~0x4B; 0x4D~0x4F
Counter Current Value (for 16-bit CNT)	R	R	R	R	-	R	-	Macrocell	0xA5, 0xA6

Table 54. Read/Write Protection Options (Cont.)

Configurations	Protection modes configuration							Data output from	Register address
	Unlocked	Partly Lock Read1	Partly Lock Read2	Partly Lock Read2/Write	Lock Read	Lock Write	Lock Read/Write		
	(Mode 0)	(Mode 1)	(Mode 2)	(Mode 3)	(Mode 4)	(Mode 5)	(Mode 6)		
Counter Current Value (for 8-bit CNT)	R	R	R	R	-	R	-	Macrocell	0xA7, 0xA8
Silicon Identification Service Bits	R	R	R	R	R	R	R	Memory	0xFC
Pattern ID0/1	R	R	R	R	R	R	R	Memory	0xFA, 0xF8
I ² C Control Code (section 15.2 I ² C Serial Communications Device Addressing)	R	R	R	R	R	R	R	Memory	0xFD,b'3~0
Pin Slave Address Select	R	R	R	R	R	R	R	Memory	0xFD,b'7~4
I ² C Disable/Enable	R	R	R	R	R	R	R	Memory	0xFE,b'0

R/W	Allow Read and Write Data
W	Allow Write Data Only
R	Allow Read Data Only
-	The Data is protected for Read and Write

It is possible to read some data from macrocells, such as counter current value, connection matrix, and connection matrix virtual inputs. The I²C write will not have any impact on data in case data comes from macrocell output, except Connection Matrix Virtual Inputs. The silicon identification service bits allows identifying silicon family, its revision, and others. See Section 17. Register Definitions for detailed information on all registers.

15.6 I²C Additional Options

When output latching during I²C write, register [1961] = 1 allows all PINs output value to be latched until I²C write is done. It will protect the output change due to configuration process during I²C write in case multiple register bytes are changed. Inputs and internal macrocells retain their status during I²C write (Note).

If the user sets GPIO0 and GPIO1 function to a selection other than SDA and SCL, all access via I²C will be disabled.

Note: Any write commands that come to the device via I²C that are not blocked, based on the protection bits, will change the contents of the RAM register bits that mirror the NVM bits. These write commands will not change the NVM bits themselves, and a POR event will restore the register bits to original programmed contents of the NVM. See Section 17. Register Definitions for detailed information on all registers.

15.6.1 Reading Counter Data via I²C

The current counter value in three counters in the device can be read via I²C. The counters that have this additional functionality are 16-bit CNT0, and 8-bit counters CNT6 and CNT7.

15.6.2 I²C Expander

In addition to the eight Connection Matrix Virtual Inputs, the SLG46857-A chip has four pins which can be used as an I²C Expander. These four pins are GPO0, GPIO6, GPIO7, and GPIO8.

Each of these pins can be used as an I²C Expander output or used as a normal pin. Also, each of these four expander outputs have initial state settings which are specified in registers [1959:1952].

15.6.3 I²C Byte Write Bit Masking

The I²C macrocell inside SLG46857-A supports masking of individual bits within a byte that is written to the RAM memory space. This function is supported across the entire RAM memory space. To implement this function, the user performs a Byte Write Command (see Section 15.4.1 Byte Write Command for details) on the I²C Byte Write Mask Register (address 0F6H) with the desired bit mask pattern. This sets a bit mask pattern for the target memory location that will take effect on the next Byte Write Command to this register byte. Any bit in the mask that is set to “1” in the I²C Byte Write Mask Register will mask the effect of changing that particular bit in the target register, during the next Byte Write Command. The contents of the I²C Byte Write Mask Register are reset (set to 00h) after valid Byte Write Command. If the next command received by the device is not a Byte Write Command, the effect of the bit masking function will be aborted, and the I²C Byte Write Mask Register will be reset with no effect. Figure 112 shows an example of this function.

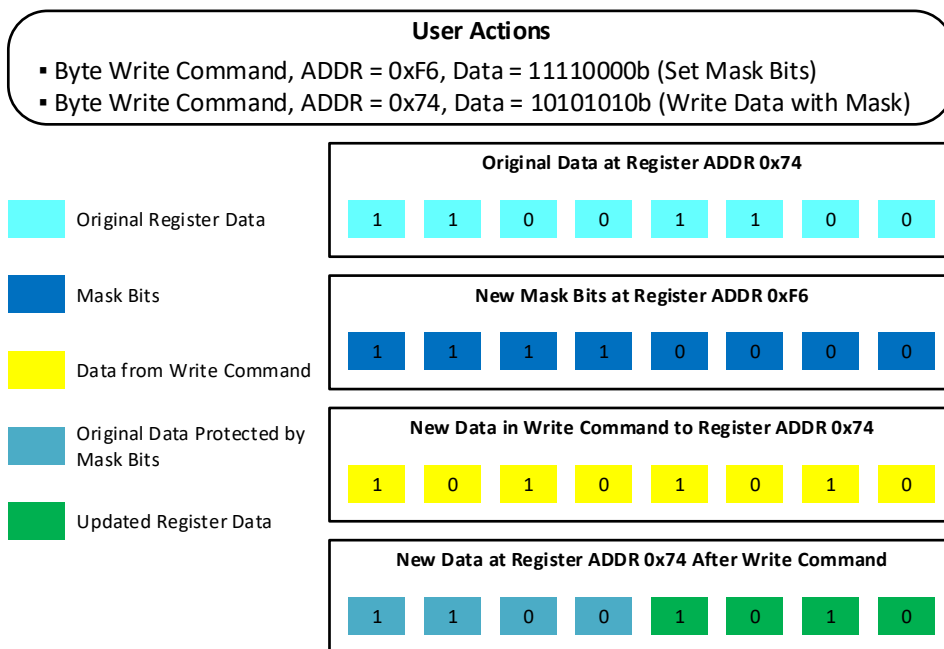


Figure 112. Example of I²C Byte Write Bit Masking

16. Analog Temperature Sensor

The SLG46857-A has an Analog Temperature sensor (TS) with an output voltage linearly-proportional to the Centigrade temperature. The TS cell shares buffer with Vref0, so it is impossible to use both cells simultaneously, its output can be connected directly to the GPIO8 or to the ACMP3_L positive input. Using buffer causes low-output impedance, linear output, and makes interfacing to readout or control circuitry especially easy. The TS is rated to operate over a -40 °C to 125 °C temperature range. The error in the whole temperature range does not exceed ±3.36 %. For more details refer to Section [3.11 Analog Temperature Sensor Specifications](#).

The equations below calculates the typical analog voltage passed from the TS to the ACMPs' IN+ source input and the temperature at this voltage accordingly. It is important to note that there will be a chip to chip variation of about ±2 °C.

$$V_{TS1} = -0.000676 \times T_{TS1}^2 - 2.3 \times T_{TS1} + 906.4$$

$$T_{TS1} = \frac{100}{169} \times (\sqrt{5} \times \sqrt{2419033 - 845 \times V_{TS1}} - 2875)$$

$$V_{TS2} = -0.000840 \times T_{TS2}^2 - 2.8 \times T_{TS2} + 1094.8$$

$$T_{TS2} = \frac{50}{21} \times (\sqrt{719908 - 210 \times V_{TS2}} - 700)$$

where:

V_{TS1} (mV) - TS Output Voltage, range 1

V_{TS2} (mV) - TS Output Voltage, range 2

T (°C) - Temperature

Temperature hysteresis can be setup by enabling the GreenPAK's internal ACMP hysteresis.

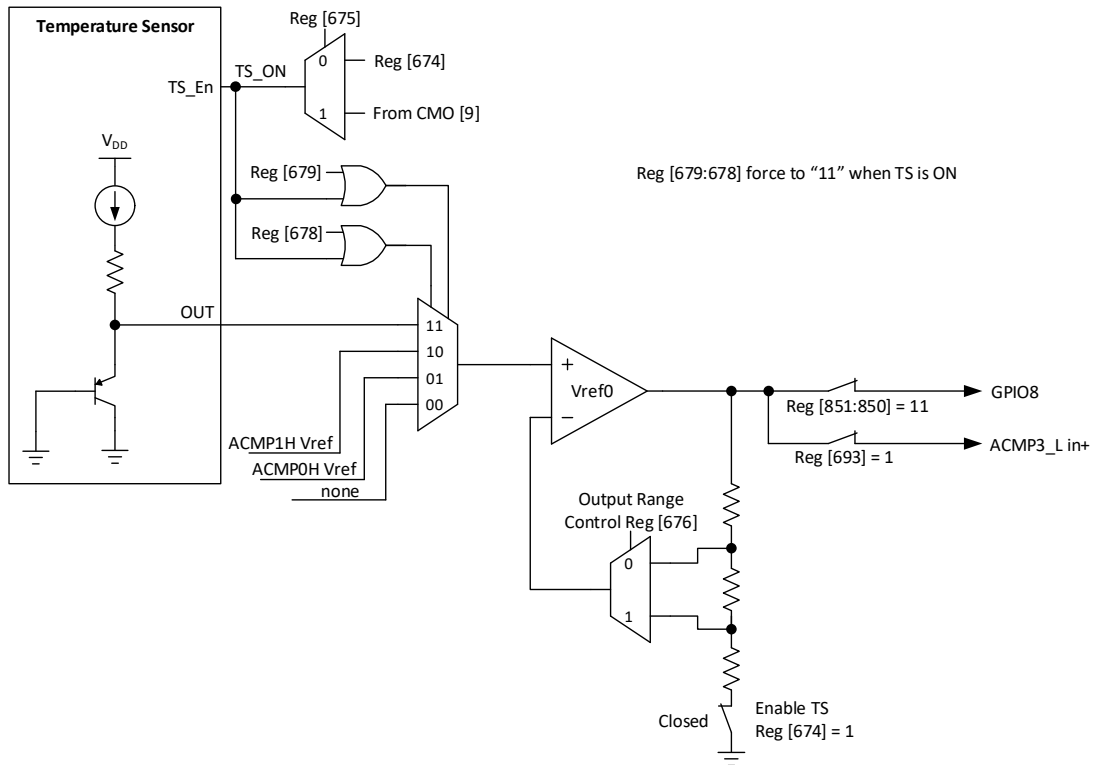


Figure 113. Analog Temperature Sensor Structure Diagram

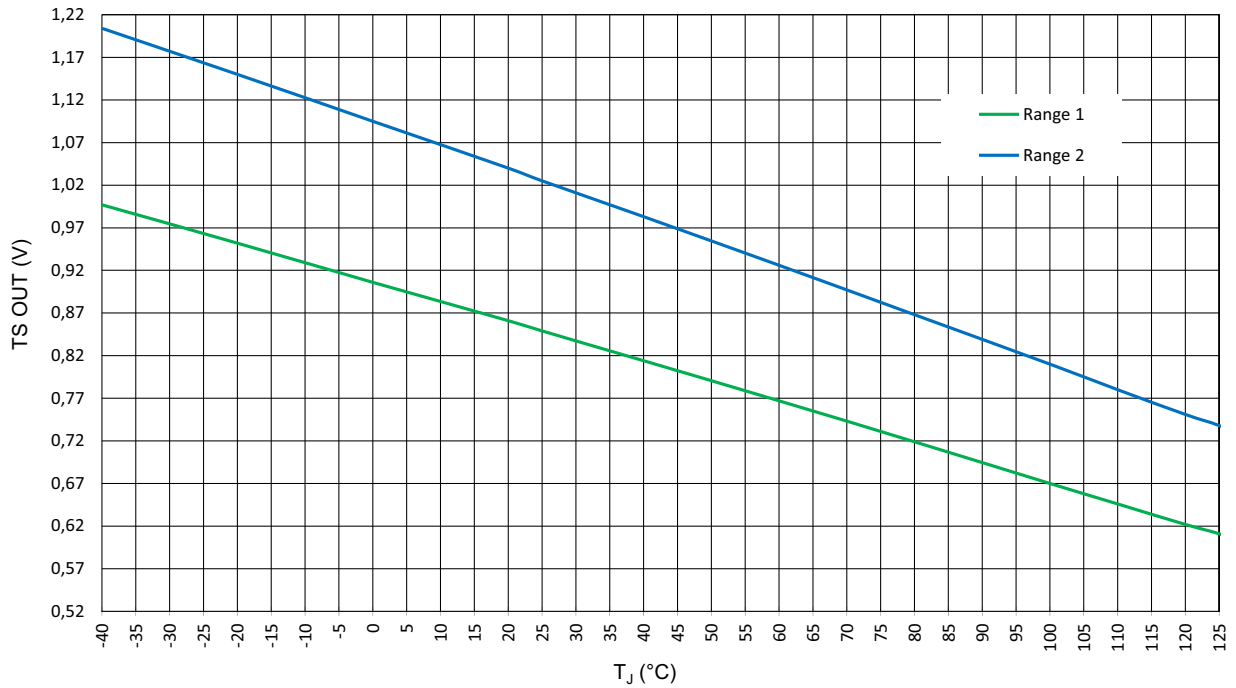


Figure 114. TS Output vs. Temperature, V_{DD} = 2.3 V to 5.5 V

17. Register Definitions

17.1 Register Map

Table 55. Register Map

Address		Signal Function	Access Type	Register Bit Definition
Byte	Register Bit			
Matrix Output				
0x00	0	LUT2_0 & DFF0	R/W	OUT0: IN0 of LUT2_0 or Clock Input of DFF0
	1			
	2			
	3			
	4			
	5			
	6			
0x01	7	LUT2_1 & DFF1	R/W	OUT1 IN1 of LUT2_0 or Data Input of DFF0
	8			
	9			
	10			
	11			
0x02	12	LUT2_2 & DFF2	R/W	OUT2: IN0 of LUT2_1 or Clock Input of DFF1
	13			
	14			
	15			
	16			
	17			
	18			
	19			
0x03	20	LUT2_2 & DFF2	R/W	OUT3: IN1 of LUT2_1 or Data Input of DFF1
	21			
	22			
	23			
	24			
	25			
	26			
0x03	27	LUT2_2 & DFF2	R/W	OUT4: IN0 of LUT2_2 or Clock Input of DFF2
	28			
	29			
	29			

Table 55. Register Map (Cont.)

Address		Signal Function	Access Type	Register Bit Definition		
Byte	Register Bit					
0x03	30	LUT2_2 & DFF2	R/W	OUT5: IN1 of LUT2_2 or Data Input of DFF2		
	31					
0x04	32					
	33					
	34					
	35					
	36				R/W	OUT6: IN0 of LUT2_3 or Clock Input of PGen
	37					
	38					
	39					
0x05	40	LUT2_3 & PGen	R/W	OUT7: IN1 of LUT2_3 or nRST of PGen		
	41					
	42					
	43					
	44					
	45					
	46					
	47					
0x06	48	LUT3_0 & DFF3	R/W	OUT8: IN0 of LUT3_0 or CLK Input of DFF3		
	49					
	50					
	51					
	52					
	53					
	54					
	55					
0x07	56		R/W	OUT9: IN1 of LUT3_0 or Data of DFF3		
	57					
	58					
	59					
	60				R/W	OUT10: IN2 of LUT3_0 or nRST (nSET) of DFF3
	61					
	62					
	63					

Table 55. Register Map (Cont.)

Address		Signal Function	Access Type	Register Bit Definition
Byte	Register Bit			
0x08	64	LUT3_0 & DFF3	R/W	OUT10: IN2 of LUT3_0 or nRST (nSET) of DFF3
	65			
	66	LUT3_1 & DFF4	R/W	OUT11: IN0 of LUT3_1 or CLK Input of DFF4
	67			
	68			
	69			
	70			
	71			
0x09	72	LUT3_1 & DFF4	R/W	OUT12: IN1 of LUT3_1 or Data of DFF4
	73			
	74			
	75			
	76		R/W	OUT13: IN2 of LUT3_1 or nRST (nSET) of DFF4
	77			
	78			
	79			
0x0A	80	LUT3_2 & DFF5	R/W	OUT14: IN0 of LUT3_2 or CLK Input of DFF5
	81			
	82			
	83			
	84		R/W	OUT15: IN1 of LUT3_2 or Data of DFF5
	85			
	86			
	87			
0x0B	88	LUT3_2 & DFF5	R/W	OUT15: IN1 of LUT3_2 or Data of DFF5
	89			
	90			
	91			
	92		R/W	OUT15: IN1 of LUT3_2 or Data of DFF5
	93			
	94			
	95			

Table 55. Register Map (Cont.)

Address		Signal Function	Access Type	Register Bit Definition
Byte	Register Bit			
0x0C	96	LUT3_2 & DFF5	R/W	OUT16: IN2 of LUT3_2 or nRST (nSET) of DFF5
	97			
	98			
	99			
	100			
	101			
	102			
0x0D	103	LUT3_3 & DFF6	R/W	OUT17: IN0 of LUT3_3 or CLK Input of DFF6
	104			
	105			
	106		R/W	OUT18: IN1 of LUT3_3 or Data of DFF6
	107			
	108			
	109			
0x0E	110	LUT3_4 & DFF7	R/W	OUT19: IN2 of LUT3_3 or nRST (nSET) of DFF6
	111			
	112			
	113			
	114			
	115			
	116			
0x0F	117	LUT3_4 & DFF7	R/W	OUT20: IN0 of LUT3_4 or CLK Input of DFF7
	118			
	119			
	120			
	121			
	122			
	123			
0x0F	124	LUT3_4 & DFF7	R/W	OUT21: IN1 of LUT3_4 or Data of DFF7
	125			
	126		R/W	OUT21: IN1 of LUT3_4 or Data of DFF7
	127			

Table 55. Register Map (Cont.)

Address		Signal Function	Access Type	Register Bit Definition
Byte	Register Bit			
0x10	128	LUT3_4 & DFF7	R/W	OUT21: IN1 of LUT3_4 or Data of DFF7
	129			
	130			
	131			
	132		R/W	OUT22: IN2 of LUT3_4 or nRST (nSET) of DFF7
	133			
	134			
	135			
0x11	136	LUT3_5 & DFF8	R/W	OUT23: IN0 of LUT3_5 or CLK Input of DFF8
	137			
	138			
	139			
	140		R/W	OUT24: IN1 of LUT3_5 or Data of DFF8
	141			
	142			
	143			
0x12	144	LUT3_6 & DFF9	R/W	OUT25: IN2 of LUT3_5 or nRST (nSET) of DFF8
	145			
	146			
	147			
	148		R/W	OUT26: IN0 of LUT3_6 or CLK Input of DFF9
	149			
	150			
	151			
0x13	152	LUT3_6 & DFF9	R/W	OUT26: IN0 of LUT3_6 or CLK Input of DFF9
	153			
	154			
	155			
	156		R/W	OUT26: IN0 of LUT3_6 or CLK Input of DFF9
	157			
	158			
	159			

Table 55. Register Map (Cont.)

Address		Signal Function	Access Type	Register Bit Definition
Byte	Register Bit			
0x14	160	LUT3_6 & DFF9	R/W	OUT26: IN0 of LUT3_6 or CLK Input of DFF9
	161			
	162		R/W	OUT27: IN1 of LUT3_6 or Data of DFF9
	163			
	164			
	165			
	166			
	167			
168	0x15			
169				
170				
171				
172				
173				
174	LUT3_7 & DFF10		R/W	OUT29: IN0 of LUT3_7 or CLK Input of DFF10
175				
176				
177				
178		0x16	R/W	OUT30: IN1 of LUT3_7 or Data of DFF10
179				
180				
181				
182				
183				
184	0x17	R/W	OUT31: IN2 of LUT3_7 or nRST (nSET) of DFF10	
185				
186				
187				
188				
189				
190				
191				

Table 55. Register Map (Cont.)

Address		Signal Function	Access Type	Register Bit Definition	
Byte	Register Bit				
0x18	192	LUT3_8 & DFF11	R/W	OUT32: IN0 of LUT3_8 or CLK Input of DFF11	
	193				
	194				
	195				
	196				
	197				
	198				
199	R/W		OUT33: IN1 of LUT3_8 or Data of DFF11		
200					
201					
202					
203					
204					
205					
0x19	206	R/W	OUT34: IN2 of LUT3_8 or nRST (nSET) of DFF11		
	207				
	208			R/W	OUT35: IN0 of LUT3_12 or CLK Input of DFF16 Delay4 Input (or Counter4 nRST Input)
	209				
	210				
	211				
	212				
213					
214					
0x1A	215	R/W	OUT36: IN1 of LUT3_12 or nRST (nSET) of DFF16 Delay4 Input (or Counter4 nRST Input)		
	216				
	217				
	218				
	219				
	220				
	221				
0x1B	222	Multi_function4	R/W	OUT37: IN2 of LUT3_12 or Data of DFF16 Delay4 Input (or Counter4 nRST Input)	
	223				

Table 55. Register Map (Cont.)

Address		Signal Function	Access Type	Register Bit Definition			
Byte	Register Bit						
0x1C	224	Multi_function4	R/W	OUT37: IN2 of LUT3_12 or Data of DFF16 Delay4 Input (or Counter4 nRST Input)			
	225						
	226						
	227						
	228	Multi_function5	R/W	OUT38: IN0 of LUT3_13 or CLK Input of DFF17 Delay5 Input (or Counter5 nRST Input)			
	229						
	230						
	231						
0x1D	232				Multi_function5	R/W	OUT39: IN1 of LUT3_13 or nRST (nSET) of DFF17 Delay5 Input (or Counter5 nRST Input)
	233						
	234						
	235						
	236						
	237						
	238						
0x1E	239	Multi_function5	R/W	OUT40: IN2 of LUT3_13 or Data of DFF17 Delay5 Input (or Counter5 nRST Input)			
	240						
	241						
	242						
	243						
	244						
	245						
0x1F	246	Multi_function6	R/W	OUT41: IN0 of LUT3_14 or CLK Input of DFF18 Delay6 Input (or Counter6 nRST Input)			
	247						
	248						
	249						
	250		R/W	OUT42: IN1 of LUT3_14 or nRST (nSET) of DFF18 Delay6 Input (or Counter6 nRST Input)			
	251						
	252						
	253						
254							
255							

Table 55. Register Map (Cont.)

Address		Signal Function	Access Type	Register Bit Definition
Byte	Register Bit			
0x20	256	Multi_function6	R/W	OUT42: IN1 of LUT3_14 or nRST (nSET) of DFF18 Delay6 Input (or Counter6 nRST Input)
	257			
	258		R/W	OUT43: IN2 of LUT3_14 or Data of DFF18 Delay6 Input (or Counter6 nRST Input)
	259			
	260			
	261			
	262			
	263			
0x21	264	Multi_function7	R/W	OUT44: IN0 of LUT3_15 or CLK Input of DFF19 Delay7 Input (or Counter7 nRST Input)
	265			
	266			
	267			
	268		R/W	OUT45: IN1 of LUT3_15 or nRST (nSET) of DFF19 Delay7 Input (or Counter7 nRST Input)
	269			
	270			
	271			
0x22	272	LUT3_16 & Pipe Delay (RIPP CNT)	R/W	OUT46: IN2 of LUT3_15 or Data of DFF19 Delay7 Input (or Counter7 nRST Input)
	273			
	274			
	275			
	276		R/W	OUT47: IN0 of LUT3_16 or Input of Pipe Delay or UP signal of RIPP CNT
	277			
	278			
	279			
0x23	280	LUT3_16 & Pipe Delay (RIPP CNT)	R/W	OUT47: IN0 of LUT3_16 or Input of Pipe Delay or UP signal of RIPP CNT
	281			
	282			
	283			
	284			
	285			
	286			
	287			

Table 55. Register Map (Cont.)

Address		Signal Function	Access Type	Register Bit Definition		
Byte	Register Bit					
0x24	288	LUT3_16 & Pipe Delay (RIPP CNT)	R/W	OUT48: IN1 of LUT3_16 or nRST of Pipe Delay or nSET of RIPP CNT		
	289					
	290					
	291					
	292					
	293					
	294					
0x25	295		R/W	OUT49: IN2 of LUT3_16 or Clock of Pipe Delay_RIPP CNT		
	296					
	297					
	298					
	299					
	300				R/W	OUT50: IN0 of LUT4_0 or CLK Input of DFF12
	301					
302						
303						
0x26	304	LUT4_DFF12	R/W	OUT51: IN1 of LUT4_0 or Data of DFF12		
	305					
	306					
	307					
	308					
	309					
	310					
0x27	311	LUT4_DFF12	R/W	OUT52: IN2 of LUT4_0 or nRST (nSET) of DFF12		
	312					
	313					
	314					
	315					
	316					
317						

Table 55. Register Map (Cont.)

Address		Signal Function	Access Type	Register Bit Definition			
Byte	Register Bit						
0x27	318	LUT4_DFF12	R/W	OUT53: IN3 of LUT4_0			
	319						
0x28	320						
	321						
	322						
	323						
	324				Programmable delay	R/W	OUT54: Programmable delay/edge detect input
	325						
	326						
	327						
0x29	328	Filter/Edge Detect	R/W	OUT55: Filter/Edge detect input			
	329						
	330						
	331						
	332						
	333						
	334						
0x2A	336	GPIO0	R/W	OUT56: GPIO0 DOUT			
	337						
	338						
	339						
	340						
	341						
0x2B	342	GPIO1	R/W	OUT57: GPIO1 DOUT			
	343						
	344						
	345						
	0x2B	346	GPIO2	R/W	OUT58: GPIO2 DOUT		
		347					
		348					
		349					
	350						
	351						

Table 55. Register Map (Cont.)

Address		Signal Function	Access Type	Register Bit Definition
Byte	Register Bit			
0x2C	352	GPIO2	R/W	OUT58: GPIO2 DOUT
	353			
	354		R/W	OUT59: GPIO2 DOUT OE
	355			
	356			
	357			
	358			
	359			
0x2D	360	GPIO3 DOUT and Input of Power Switch ON0	R/W	OUT60: GPIO3 DOUT and Input of Power Switch ON0
	361			
	362			
	363			
	364		R/W	OUT61: GPIO3 DOUT OE
	365			
	366			
	367			
0x2E	368	GPO0 and Input of Power Switch ON1	R/W	OUT62: GPO0 DOUT and Input of Power Switch ON1
	369			
	370			
	371			
	372			
0x2F	373	GPIO4	R/W	OUT63: GPIO4 DOUT
	374			
	375			
	376			
	377			
	378			
	379			
380				
381				
382				
383				

Table 55. Register Map (Cont.)

Address		Signal Function	Access Type	Register Bit Definition
Byte	Register Bit			
0x30	384	GPIO4	R/W	OUT64: GPIO4 DOUT OE
	385			
	386			
	387			
	388			
	389			
0x31	390	GPIO5	R/W	OUT65: GPIO5 DOUT
	391			
	392			
	393			
	394			
	395			
	396		R/W	OUT66: GPIO5 DOUT OE
	397			
398				
399				
0x32	400	GPIO6	R/W	OUT67: GPIO6 DOUT
	401			
	402			
	403			
	404			
	405			
	406			
0x33	407	GPIO7	R/W	OUT68: GPIO6 DOUT OE
	408			
	409			
	410			
	411			
	412			
	413			
414	R/W	OUT69: GPIO7 DOUT		
415				

Table 55. Register Map (Cont.)

Address		Signal Function	Access Type	Register Bit Definition
Byte	Register Bit			
0x34	416	GPIO7	R/W	OUT69: GPIO7 DOUT
	417			
	418			
	419			
	420			
	421			
	422			
	423			
0x35	424	GPIO8	R/W	OUT70: GPIO7 DOUT OE
	425			
	426			
	427			
	428			
	429			
	430			
	431			
0x36	432	GPIO8	R/W	OUT71: GPIO8 DOUT
	433			
	434			
	435			
	436			
	437			
	438			
	439			
0x37	440	GPIO9	R/W	OUT72: GPIO8 DOUT OE
	441			
	442			
	443			
	444			
	445			
	446			
	447			
0x38	448	GPIO9	R/W	OUT73: GPIO9 DOUT
	449			
				OUT74: GPIO9 DOUT OE

Table 55. Register Map (Cont.)

Address		Signal Function	Access Type	Register Bit Definition			
Byte	Register Bit						
0x38	450	ACMP0H	R/W	OUT75: PWR UP of ACMP0H			
	451						
	452						
	453						
	454						
	455						
0x39	456	ACMP1H	R/W	OUT76: PWR UP of ACMP1H			
	457						
	458						
	459						
	460						
	461						
0x3A	462	ACMP2L	R/W	OUT77: PWR UP of ACMP2L			
	463						
	464						
	465						
	466						
	467						
	468				ACMP3L	R/W	OUT78: PWR UP of ACMP3L
	469						
0x3B	470	Temp Sensor	R/W	OUT79: Temp sensor, Vref Out_0, Vref Out_1 Power Up			
	471						
	472						
	473						
	474						
	475						
	476						
	477						
478							
479							

Table 55. Register Map (Cont.)

Address		Signal Function	Access Type	Register Bit Definition
Byte	Register Bit			
0x3C	480	OSC0	R/W	OUT80: OSC0 ENABLE
	481			
	482			
	483			
	484			
	485			
	486			
0x3D	487	OSC1	R/W	OUT81: OSC1 ENABLE
	488			
	489			
	490			
0x3D	491	OSC2	R/W	OUT82: OSC2 ENABLE
	492			
	493			
	494			
0x3E	495	Multi_function0	R/W	OUT83: IN0 of LUT4_1 or CLK Input of DFF20 Delay0 Input (or Counter0 nRST Input)
	496			
	497			
	498			
	499			
	500			
	501			
0x3F	502	Multi_function0	R/W	OUT84: IN1 of LUT4_1 or nRST of DFF20 Delay0 Input (or Counter0 nRST Input) Delay/Counter0 External CLK source
	503			
	504			
	505			
	506			
	507			
508				
509				

Table 55. Register Map (Cont.)

Address		Signal Function	Access Type	Register Bit Definition		
Byte	Register Bit					
0x3F	510	Multi_function0	R/W	OUT85: IN2 of LUT4_1 or nSET of DFF20 Delay0 Input (or Counter0 nRST Input) Delay/Counter0 External CLK source KEEP Input of FSM0		
	511					
0x40	512					
	513					
	514					
	515					
	516					
	517				R/W	OUT86: IN3 of LUT4_1 or Data of DFF20 Delay0 Input (or Counter0 nRST Input) UP Input of FSM0
	518					
519						
0x41	520		R/W	OUT87: IN0 of LUT3_9 or CLK Input of DFF13 Delay1 Input (or Counter1 nRST Input)		
	521					
	522					
	523					
	524					
	525					
	526					
527						
0x42	528	Multi_function1			R/W	OUT88: IN1 of LUT3_9 or nRST (nSET) of DFF13 Delay1 Input (or Counter1 nRST Input)
	529					
	530					
	531					
	532					
	533					
	534					
0x43	535	Multi_function2	R/W	OUT89: IN2 of LUT3_9 or Data of DFF13 Delay1 Input (or Counter1 nRST Input)		
	536					
	537					
	538					
	539		R/W	OUT90: IN0 of LUT3_10 or CLK Input of DFF14 Delay2 Input (or Counter2 nRST Input)		
	540					
	541					
542						
	543					

Table 55. Register Map (Cont.)

Address		Signal Function	Access Type	Register Bit Definition
Byte	Register Bit			
0x44	544	Multi_function2	R/W	OUT90: IN0 of LUT3_10 or CLK Input of DFF14 Delay2 Input (or Counter2 nRST Input)
	545			
	546		R/W	OUT91: IN1 of LUT3_10 or nRST (nSET) of DFF14 Delay2 Input (or Counter2 nRST Input)
	547			
	548			
	549			
	550			
	551			
0x45	552		R/W	OUT92: IN2 of LUT3_10 or Data of DFF14 Delay2 Input (or Counter2 nRST Input)
	553			
	554			
	555			
	556			
	557			
	558			
559				
0x46	560	R/W	OUT94: IN1 of LUT3_11 or nRST (nSET) of DFF15 Delay3 Input (or Counter3 nRST Input)	
	561			
	562			
	563			
	564			
	565			
	566			
0x47	567	R/W	OUT95: IN2 of LUT3_11 or Data of DFF15 Delay3 Input (or Counter3 nRST Input)	
	568			
	569			
	570			
	571			
	572			
	573			
	574			
575				

Table 55. Register Map (Cont.)

Address		Signal Function	Access Type	Register Bit Definition
Byte	Register Bit			
0x48	576	Matrix Input 0	R	GND
	577	Matrix Input 1	R	LUT2_0/DFF0 output
	578	Matrix Input 2	R	LUT2_1/DFF1 output
	579	Matrix Input 3	R	LUT2_2/DFF2 output
	580	Matrix Input 4	R	LUT2_3/PGen output
	581	Matrix Input 5	R	LUT3_0/DFF3 output
	582	Matrix Input 6	R	LUT3_1/DFF4 output
	583	Matrix Input 7	R	LUT3_2/DFF5 output
0x49	584	Matrix Input 8	R	LUT3_3/DFF6 output
	585	Matrix Input 9	R	LUT3_4/DFF7 output
	586	Matrix Input 10	R	LUT3_5/DFF8 output
	587	Matrix Input 11	R	LUT3_6/DFF9 output
	588	Matrix Input 12	R	LUT3_7/DFF10 output
	589	Matrix Input 13	R	LUT3_8/DFF11 output
	590	Matrix Input 14	R	CNT0 output
	591	Matrix Input 15	R	MF0_LUT4/DFF_OUT
0x4A	592	Matrix Input 16	R	CNT1 output
	593	Matrix Input 17	R	MF1_LUT3/DFF_OUT
	594	Matrix Input 18	R	CNT2 output
	595	Matrix Input 19	R	MF2_LUT3/DFF_OUT
	596	Matrix Input 20	R	CNT3 output
	597	Matrix Input 21	R	MF3_LUT3/DFF_OUT
	598	Matrix Input 22	R	CNT4 output
	599	Matrix Input 23	R	MF4_LUT3/DFF_OUT
0x4B	600	Matrix Input 24	R	CNT5 output
	601	Matrix Input 25	R	MF5_LUT3/DFF_OUT
	602	Matrix Input 26	R	CNT6 output
	603	Matrix Input 27	R	MF6_LUT3/DFF_OUT
	604	Matrix Input 28	R	CNT7 output
	605	Matrix Input 29	R	MF7_LUT3/DFF_OUT
	606	Matrix Input 30	R	LUT3_16/Ripple CNT/Pipe Delay_out0
	607	Matrix Input 31	R	Ripple CNT/Pipe Delay_out1

Table 55. Register Map (Cont.)

Address		Signal Function	Access Type	Register Bit Definition
Byte	Register Bit			
0x4C	608	Matrix Input 32	R/W	GPIO0 digital input or I2C_virtual_0 Input
	609	Matrix Input 33	R/W	GPIO1 digital input or I2C_virtual_1 Input
	610	Matrix Input 34	R/W	I2C_virtual_2 Input
	611	Matrix Input 35	R/W	I2C_virtual_3 Input
	612	Matrix Input 36	R/W	I2C_virtual_4 Input
	613	Matrix Input 37	R/W	I2C_virtual_5 Input
	614	Matrix Input 38	R/W	I2C_virtual_6 Input
	615	Matrix Input 39	R/W	I2C_virtual_7 Input
0x4D	616	Matrix Input 40	R	Ripple CNT_out2
	617	Matrix Input 41	R	LUT4_0/DFF12 output
	618	Matrix Input 42	R	Programmable Delay Edge Detect Output
	619	Matrix Input 43	R	Edge Detect Filter Output
	620	Matrix Input 44	R	GPIO0 Digital Input
	621	Matrix Input 45	R	GPIO2 Digital Input
	622	Matrix Input 46	R	Power Switch ON0, GPIO3 Digital Input
	623	Matrix Input 47	R	GPIO4 Digital Input
0x4E	624	Matrix Input 48	R	GPIO5 Digital Input
	625	Matrix Input 49	R	GPIO6 Digital Input
	626	Matrix Input 50	R	GPIO7 Digital Input
	627	Matrix Input 51	R	GPIO8 Digital Input
	628	Matrix Input 52	R	GPIO9 Digital Input
	629	Matrix Input 53	R	OSC0 output 0
	630	Matrix Input 54	R	OSC1 output 0
	631	Matrix Input 55	R	OSC2 output
0x4F	632	Matrix Input 56	R	ACMP0H Output (normal speed)
	633	Matrix Input 57	R	ACMP1H Output (normal speed)
	634	Matrix Input 58	R	ACMP2L Output (low speed)
	635	Matrix Input 59	R	ACMP3L output (low speed)
	636	Matrix Input 60	R	OSC0 output 1
	637	Matrix Input 61	R	OSC1 output 1
	638	Matrix Input 62	R	Matrix nRST
	639	Matrix Input 63	R	V _{DD}

Table 55. Register Map (Cont.)

Address		Signal Function	Access Type	Register Bit Definition
Byte	Register Bit			
0x50	640	BG CHOP OFF	R/W	0: CHOP enable 1: chopper off
	641	BG Chopper clock test enable	R/W	1: enable
	642	Bandgap internal voltage output to IO enable	R/W	1: enable
	643	Bandgap power-down control	R/W	0: always on 1: power-down if no function enable it (ACMP, Vref, TS)
	644	ACMP1H external Vref0 source selection	R/W	0: from GPIO2 1: from GPO0
	645	ACMP2L external Vref1 source selection	R/W	0: from GPIO2 1: from GPO0
	646	ACMP3L external Vref1 source selection	R/W	0: from GPIO2 1: from GPO0
	647	ACMP3L wake sleep enable	R/W	1: enable 0: disable
0x51	648	VrefO0 register Power-On/Off	R/W	1: on 0: off
	649	VrefO0 power-down selection	R/W	0: come from register [648] 1: come from matrix out92
	650	VrefO1 register Power-On/Off	R/W	1: on 0: off
	651	ACMP0H hysteresis	R/W	00: 0 mV 01: 32 mV
	652		R/W	10: 64 mV 11: 192 mV
	653	Reserved	R/W	
	654	ACMP0_H input buffer enable	R/W	1: enable
	655	Reserved	R/W	
0x52	656	ACMP0H input tie to V _{DD} enable	R/W	1: enable
	657	ACMP1_H positive input come from ACMP0_H's input mux output enable; 1:enable	R/W	
	658	Reserved	R/W	
	659	ACMP1H hysteresis	R/W	00: 0 mV 01: 32 mV
	660		R/W	10: 64 mV 11: 192 mV
	661	ACMP1H input buffer enable	R/W	1: enable
	662	Reserved	R/W	
	663	ACMP2L positive input come from ACMP0H's input mux output enable	R/W	1: enable

Table 55. Register Map (Cont.)

Address		Signal Function	Access Type	Register Bit Definition
Byte	Register Bit			
0x53	664	ACMP2L positive input come from ACMP1H's input mux output enable	R/W	1: enable
	665	ACMP2L hysteresis	R/W	00: 0 mV
	666		R/W	01: 32 mV 10: 64 mV 11: 192 mV
	667	Reserved	R/W	
	668	Reserved	R/W	
	669	ACMP3_L hysteresis	R/W	00: 0 mV
	670		R/W	01: 32 mV 10: 64 mV 11: 192 mV
671	Reserved	R/W		
0x54	672	Reserved	R/W	
	673	ACMP3_L positive input come from ACMP2L's input mux output enable	R/W	1: enable
	674	Temp sensor register pdb control	R/W	0: Power-down 1: Power-On
	675	Temp sensor register pdb select	R/W	0: come from register 1: come from Matrix
	676	Temp sensor range select	R/W	0: range 1 (0.62V ~ 0.99V (TYP)) 1: range 2 (0.75V ~ 1.2V (TYP))
	677	Vref0 output OP	R/W	0: disable 1: enable
	678	Vref0 input selection	R/W	00: None
679	R/W		01: ACMP0H Vref 10: ACMP1H Vref 11: temp sensor	
0x55	680	Vref1 output OP	R/W	0: disable 1: enable
	681	Vref1 input selection	R/W	00: None
	682		R/W	01: ACMP2L Vref 10: ACMP3L Vref
	683	VBG fine tune selection	R/W	0000: 1.194, 0001:1.195, 0011:1.196, 0100:1.197, 0101:1.198, 0110:1.199 0111:1.2, 1000:1.201, 1001:1.202, 1010:1.203, 1011:1.204, 1100:1.205, 1101:1.206, 1110:1.207, 1111:1.208
	684		R/W	
	685		R/W	
	686		R/W	
687	ACMP0H Wake/Sleep enable	R/W		

Table 55. Register Map (Cont.)

Address		Signal Function	Access Type	Register Bit Definition
Byte	Register Bit			
0x56	688	ACMP1H Wake/Sleep enable	R/W	
	689	ACMP Wake/Sleep time selection	R/W	0: short time 1: normal w/s
	690	ACMP0H 100 uA current source enable	R/W	
	691	Reserve for ACMP	R/W	
	692	Reserved	R/W	
	693	ACMP3L input come from Temp sensor output enable	R/W	
	694	VrefO1 power-down selection	R/W	0: come from register [650] 1: come from matrix OUT92
	695	ACMP2L wake sleep enable	R/W	0: disable 1: enable
0x57	696	ACMP0H Gain divider	R/W	ACMP gain divider select: 00: 1x 01:0.5x 10:0.33x 11:0.25x
	697		R/W	
	698	ACMP0H Vref0	R/W	ACMP Vref select: 000000: 32mV ~ 111110: 2.016V/step = 32 mV 111111: External Vref
	699		R/W	
	700		R/W	
	701		R/W	
	702		R/W	
703	R/W			
0x58	704	ACMP1H Gain divider	R/W	ACMP gain divider select: 00: 1x 01:0.5x 10:0.33x 11:0.25x
	705		R/W	
	706	ACMP1H Vref0	R/W	ACMP Vref select: 000000: 32 mV ~ 1 11110: 2.016V/step = 32mV 111111: External Vref
	707		R/W	
	708		R/W	
	709		R/W	
	710		R/W	
711	R/W			

Table 55. Register Map (Cont.)

Address		Signal Function	Access Type	Register Bit Definition
Byte	Register Bit			
0x59	712	ACMP2L Gain divider	R/W	ACMP gain divider select: 00: 1x 01:0.5x 10:0.33x 11:0.25x
	713		R/W	
	714	ACMP2L Vref1	R/W	ACMP Vref select: 000000: 32 mV ~ 111110: 2.016V/step = 32mV 111111: External Vref
	715		R/W	
	716		R/W	
	717		R/W	
	718		R/W	
	719		R/W	
0x5A	720	ACMP3L Gain divider	R/W	ACMP gain divider select: 00: 1x 01:0.5x 10:0.33x 11:0.25x
	721		R/W	
	722	ACMP3L Vref1	R/W	ACMP Vref select: 000000: 32 mV ~ 111110: 2.016V/step = 32mV 111112: External Vref
	723		R/W	
	724		R/W	
	725		R/W	
	726		R/W	
	727		R/W	
OSC1				
0x5B	728	OSC1 turn on by register	R/W	when matrix output enable/pd control signal = 0: 0: auto on by delay cells 1: always on
	729	matrix power-down or on select	R/W	0: matrix down 1: matrix on
	730	external clock source enable	R/W	0: internal OSC1 1: external clock from GPIO2
	731	post divider ratio control OSC1	R/W	00: div 1 01: div 2 10: div 4 11: div 8
	732		R/W	
	733	matrix divider ratio control OSC1, OUT0	R/W	000: /1, 001:/2 , 010:/4, 011: /3, 100: /8, 101: /12, 110: /24, 111: /64
	734		R/W	
735	R/W			

Table 55. Register Map (Cont.)

Address		Signal Function	Access Type	Register Bit Definition
Byte	Register Bit			
0x5C	736	matrix out enable OSC1, OUT0	R/W	0: disable 1: enable
	737	Reserved	R/W	
	738	Reserved	R/W	
	739	Reserved	R/W	
OSC2				
0x5C	740	OSC2 turn on by register	R/W	when matrix output enable/pd control signal = 0: 0: auto on by delay cells 1: always on
	741	matrix power-down or on select	R/W	0: matrix down 1: matrix on
	742	external clock source enable	R/W	0: internal OSC2 1: external clock from GPIO8
	743	matrix out enable	R/W	0: disable 1: enable
0x5D	744	post divider ratio control OSC2	R/W	00: div 1 01: div 2 10: div 4 11: div 8
	745		R/W	
	746	matrix divider ratio control OSC2	R/W	000: /1, 001:/2 , 010:/4, 011: /3, 100: /8, 101: /12, 110: /24, 111: /64
	747		R/W	
	748		R/W	
749	startup delay with 100 ns	R/W	0: enable 1: disable	
OSC0				
0x5D	750	OSC0 turn on by register	R/W	when matrix output enable/pd control signal = 0: 0: auto on by delay cells 1: always on
	751	matrix power-down or on select	R/W	0: matrix down 1: matrix on

Table 55. Register Map (Cont.)

Address		Signal Function	Access Type	Register Bit Definition
Byte	Register Bit			
0x5E	752	external clock source enable	R/W	0: internal OSC0 1: external clock from GPIO
	753	matrix out enable OSC0, OUT0	R/W	0: disable 1: enable
	754	post divider ratio control OSC0	R/W	00: div 1 01: div 2 10: div 4 11: div 8
	755		R/W	
	756	matrix divider ratio control OSC0, OUT0	R/W	000: /1, 001:/2 , 010:/4, 011: /3, 100: /8, 101: /12, 110: /24, 111: /64
	757		R/W	
	758		R/W	
759	enable OSC0 output gating by wake_sleep signal (note: the wake_sleep clock is separated path, so it is not gated)	R/W	0: no gating 1: enable	
0x5F	760	matrix divider ratio control OSC1, OUT1	R/W	000: /1, 001:/2 , 010:/4, 011: /3, 100: /8, 101: /12, 110: /24, 111: /64
	761		R/W	
	762		R/W	
	763	2nd output to matrix enable OSC1	R/W	0: disable 1: enable
	764	matrix divider ratio control OSC0, OUT1	R/W	000: /1, 001:/2 , 010:/4, 011: /3, 100: /8, 101: /12, 110: /24, 111: /64
	765		R/W	
	766		R/W	
767	2nd output to matrix enable OSC0, OUT1	R/W	0: disable 1: enable	
0x60	768	Reserved	R/W	
	769		R/W	
	770	Reserved	R/W	
	771	Reserved	R/W	
	772	Reserved	R/W	
	773	Reserved	R/W	
	774	Reserved	R/W	
0x61	775	Reserved	R/W	
	776	Reserved	R/W	
	777	Reserved	R/W	
	778	IO fast Pull-up/down enable	R/W	0: disable 1: enable
GPIO				

Table 55. Register Map (Cont.)

Address		Signal Function	Access Type	Register Bit Definition
Byte	Register Bit			
0x61	779	input mode configuration	R/W	00: digital without Schmitt Trigger 01: digital with Schmitt Trigger
	780		R/W	10: low voltage digital in 11: analog IO
	781	Pull-up/down resistance selection	R/W	00: floating 01: 10K
	782		R/W	10: 100K 11: 1M
	783	Pull-up/down selection	R/W	0: Pull-down 1: Pull-up
GPI00				
0x62	784	input mode configuration	R/W	00: digital in without Schmitt Trigger 01: digital in with Schmitt Trigger
	785		R/W	(when register [2032] = 1) 10: low voltage digital in 11: Reserved
	786	Pull-up/down resistance selection	R/W	00: floating 01: 10K
	787		R/W	10: 100K 11: 1M
	788	Pull-up/down selection	R/W	0: Pull-down 1: Pull-up
	789	I ² C mode selection	R/W	0: I ² C fast mode+ (3.2x drivability) 1: I ² C standard/fast mode
	790	I/O selection	R/W	0: digital input 1: digital output (1x Open-Drain NMOS)
GPI01				
0x62	791	input mode configuration	R/W	00: digital without Schmitt Trigger 01: digital in with Schmitt Trigger
0x63	792		R/W	(when register [2032] = 1) 10: low voltage digital in 11: Reserved
	793	Pull-up/down resistance selection	R/W	00: floating 01: 10K
	794		R/W	10: 100K 11: 1M
	795	Pull-up/down selection	R/W	0: Pull-down 1: Pull-up
	796	I/O selection	R/W	0: digital input 1: digital output (1x Open-Drain NMOS)
	797	Reserved	R/W	

Table 55. Register Map (Cont.)

Address		Signal Function	Access Type	Register Bit Definition
Byte	Register Bit			
GPIO2				
0x63	798	input mode configuration	R/W	00: digital without Schmitt Trigger 01: digital with Schmitt Trigger 10: low voltage digital in 11: analog IO
	799		R/W	
0x64	800	output mode configuration	R/W	00: Push-Pull 1x 01: Push-Pull 2x 10: 1x Open-Drain 11: 2x Open-Drain
	801		R/W	
	802	Pull-up/down resistance selection	R/W	00: floating 01: 10K 10: 100K 11: 1M
	803		R/W	
804	Pull-up/down selection	R/W	0: Pull-down 1: Pull-up	
GPIO3				
0x64	805	input mode configuration	R/W	00: digital without Schmitt Trigger 01: digital with Schmitt Trigger 10: low voltage digital in 11: analog IO
	806		R/W	
	807	output mode configuration	R/W	00: Push-Pull 1x 01: Push-Pull 2x 10: 1x Open-Drain 11: 2x Open-Drain
0x65	808		R/W	
0x65	809	Pull-up/down resistance selection	R/W	00: floating 01: 10K 10: 100K 11: 1M
	810		R/W	
	811	Pull-up/down selection	R/W	0: Pull-down 1: Pull-up
GPO0				
0x65	812	Reserved	R/W	00: Push-Pull 1x 01: Push-Pull 2x 10: 1x Open-Drain 11: 2x Open-Drain
	813		R/W	
	814	output mode configuration	R/W	
	815		R/W	

Table 55. Register Map (Cont.)

Address		Signal Function	Access Type	Register Bit Definition
Byte	Register Bit			
0x66	816	Pull-up/down resistance selection	R/W	00: floating
	817		R/W	01: 10K 10: 100K 11: 1M
	818	Pull-up/down selection	R/W	0: Pull-down 1: Pull-up
	819	output enable	R/W	0: output disable (input mode) 1: output enable
	820	4x drive	R/W	0: disable 1: enable
GPIO4				
0x66	821	input mode configuration	R/W	00: digital without Schmitt Trigger
	822		R/W	01: digital with Schmitt Trigger 10: low voltage digital in 11: analog IO
	823	output mode configuration	R/W	00: Push-Pull 1x 01: Push-Pull 2x
824	R/W		10: 1x Open-Drain 11: 2x Open-Drain	
0x67	825	Pull-up/down resistance selection	R/W	00: floating
	826		R/W	01: 10K 10: 100K 11: 1M
	827	Pull-up/down selection	R/W	0: Pull-down 1: Pull-up
	828	4x drive	R/W	0: disable 1: enable
GPIO5				
0x67	829	input mode configuration	R/W	00: digital without Schmitt Trigger
	830		R/W	01: digital with Schmitt Trigger 10: low voltage digital in 11: analog IO
	831	output mode configuration	R/W	00: Push-Pull 1x 01: Push-Pull 2x
832	R/W		10: 1x Open-Drain 11: 2x Open-Drain	
0x68	833	Pull-up/down resistance selection	R/W	00: floating
	834		R/W	01: 10K 10: 100K 11: 1M
	835	Pull-up/down selection	R/W	0: Pull-down 1: Pull-up

Table 55. Register Map (Cont.)

Address		Signal Function	Access Type	Register Bit Definition
Byte	Register Bit			
GPIO6				
0x68	836	input mode configuration	R/W	00: digital without Schmitt Trigger 01: digital with Schmitt Trigger 10: low voltage digital in 11: analog IO
	837		R/W	
	838	output mode configuration	R/W	00: Push-Pull 1x 01: Push-Pull 2x 10: 1x Open-Drain 11: 2x Open-Drain
	839		R/W	
0x69	840	Pull-up/down resistance selection	R/W	00: floating 01: 10K 10: 100K 11: 1M
	841		R/W	
	842	Pull-up/down selection	R/W	0: Pull-down 1: Pull-up
GPIO7				
0x69	843	input mode configuration	R/W	00: digital without Schmitt Trigger 01: digital with Schmitt Trigger 10: low voltage digital in 11: analog IO
	844		R/W	
	845	output mode configuration	R/W	00: Push-Pull 1x 01: Push-Pull 2x 10: 1x Open-Drain 11: 2x Open-Drain
	846		R/W	
	847	Pull-up/down resistance selection	R/W	00: floating 01: 10K 10: 100K 11: 1M
848	R/W			
0x6A	849	Pull-up/down selection	R/W	0: Pull-down 1: Pull-up
GPIO8				
0x6A	850	input mode configuration	R/W	00: digital without Schmitt Trigger 01: digital with Schmitt Trigger 10: low voltage digital in 11: analog IO
	851		R/W	
	852	output mode configuration	R/W	00: Push-Pull 1x 01: Push-Pull 2x 10: 1x Open-Drain 11: 2x Open-Drain
	853		R/W	
	854	Pull-up/down resistance selection	R/W	00: floating 01: 10K 10: 100K 11: 1M
	855		R/W	

Table 55. Register Map (Cont.)

Address		Signal Function	Access Type	Register Bit Definition
Byte	Register Bit			
0x6B	856	Pull-up/down selection	R/W	0: Pull-down 1: Pull-up
GPIO9				
0x6B	857	input mode configuration	R/W	00: digital without Schmitt Trigger 01: digital with Schmitt Trigger 10: low voltage digital in 11: analog IO
	858		R/W	
	859	output mode configuration	R/W	00: Push-Pull 1x 01: Push-Pull 2x 10: 1x Open-Drain 11: 2x Open-Drain
	860		R/W	
	861	Pull-up/down resistance selection	R/W	00: floating 01: 10K 10: 100K 11: 1M
	862		R/W	
	863	Pull-up/down selection	R/W	0: Pull-down 1: Pull-up
0x6C	864	Reserved	R	
	865	Reserved	R	
	866	Reserved	R	
	867	Reserved	R	
	868	Reserved	R	
	869	Reserved	R	
	870	Reserved	R	
0x6D	871	Reserved	R	
	872	Reserved	R	
	873	Reserved	R	
	874	Reserved	R	
	875	Reserved	R	
	876	Reserved	R	
	877	Reserved	R	
	878	Reserved	R	
879	Reserved	R		

Table 55. Register Map (Cont.)

Address		Signal Function	Access Type	Register Bit Definition
Byte	Register Bit			
0x6E	880	Reserved	R	
	881	Reserved	R	
	882	Reserved	R	
	883	Reserved	R	
	884	Reserved	R	
	885	Reserved	R	
	886	Reserved	R	
	887	Reserved	R	
0x6F	888	Reserved	R	
	889	Reserved	R	
	890	Reserved	R	
	891	Reserved	R	
	892	Reserved	R	
	893	Reserved	R	
	894	Reserved	R	
	895	Reserved	R	
0x70	896	Reserved	R	
	897	Reserved	R	
	898	Reserved	R	
	899	Reserved	R	
	900	Reserved	R	
	901	Reserved	R	
	902	Reserved	R	
	903	Reserved	R	
0x71	904	Reserved	R	
	905	Reserved	R	
	906	Reserved	R	
	907	Reserved	R	
	908	Reserved	R	
	909	Reserved	R	
	910	Reserved	R	
	911	Reserved	R	

Table 55. Register Map (Cont.)

Address		Signal Function	Access Type	Register Bit Definition
Byte	Register Bit			
0x72	912	Reserved	R	
	913	Reserved	R	
	914	Reserved	R	
	915	Reserved	R	
	916	Reserved	R	
	917	Reserved	R	
	918	Reserved	R	
	919	Reserved	R	
0x73	920	Reserved	R	
	921	Reserved	R	
	922	Reserved	R	
	923	Reserved	R	
	924	Reserved	R	
	925	Reserved	R	
	926	Reserved	R	
	927	Reserved	R	
0x74	928	Reserved	R	
	929	Reserved	R	
	930	Reserved	R	
	931	Reserved	R	
	932	Reserved	R	
	933	Reserved	R	
	934	Reserved	R	
	935	Reserved	R	
0x75	936	Reserved	R	
	937	Reserved	R	
	938	Reserved	R	
	939	Reserved	R	
	940	Reserved	R	
	941	Reserved	R	
	942	Reserved	R	
	943	Reserved	R	

Table 55. Register Map (Cont.)

Address		Signal Function	Access Type	Register Bit Definition
Byte	Register Bit			
0x76	944	Reserved	R	
	945	Reserved	R	
	946	Reserved	R	
	947	Reserved	R	
	948	Reserved	R	
	949	Reserved	R	
	950	Reserved	R	
	951	Reserved	R	
0x77	952	Reserved	R	
	953	Reserved	R	
	954	Reserved	R	
	955	Reserved	R	
	956	Reserved	R	
	957	Reserved	R	
	958	Reserved	R	
	959	Reserved	R	
0x78	960	Reserved	R	
	961	Reserved	R	
	962	Reserved	R	
	963	Reserved	R	
	964	Reserved	R	
	965	Reserved	R	
	966	Reserved	R	
	967	Reserved	R	
0x79	968	Reserved	R	
	969	Reserved	R	
	970	Reserved	R	
	971	Reserved	R	
	972	Reserved	R	
	973	Reserved	R	
	974	Reserved	R	
	975	Reserved	R	

Table 55. Register Map (Cont.)

Address		Signal Function	Access Type	Register Bit Definition
Byte	Register Bit			
0x7A	976	Reserved	R	
	977	Reserved	R	
	978	Reserved	R	
	979	Reserved	R	
	980	Reserved	R	
	981	Reserved	R	
	982	Reserved	R	
	983	Reserved	R	
0x7B	984	Reserved	R	
	985	Reserved	R	
	986	Reserved	R	
	987	Reserved	R	
	988	Reserved	R	
	989	Reserved	R	
	990	Reserved	R	
	991	Reserved	R	
0x7C	992	Reserved	R	
	993	Reserved	R	
	994	Reserved	R	
	995	Reserved	R	
	996	Reserved	R	
	997	Reserved	R	
	998	Reserved	R	
	999	Reserved	R	
0x7D	1000	Reserved	R	
	1001	Reserved	R	
	1002	Reserved	R	
	1003	Reserved	R	
	1004	Reserved	R	
	1005	Reserved	R	
	1006	Reserved	R	
	1007	Reserved	R	

Table 55. Register Map (Cont.)

Address		Signal Function	Access Type	Register Bit Definition
Byte	Register Bit			
0x7E	1008	Reserved	R	
	1009	Reserved	R	
	1010	Reserved	R	
	1011	Reserved	R	
	1012	Reserved	R	
	1013	Reserved	R	
	1014	Reserved	R	
	1015	Reserved	R	
0x7F	1016	Reserved	R	
	1017	Reserved	R	
	1018	Reserved	R	
	1019	Reserved	R	
	1020	Reserved	R	
	1021	Reserved	R	
	1022	Reserved	R	
	1023	Reserved	R	
0x80	1030:1024	Single 4-bit LUT	R/W	0000000: Matrix A - In3; Matrix B - In2; Matrix C - In1; Matrix D - In0 (DLY_IN - LOW)
		Single DFF w RST and SET	R/W	0010000: Matrix A - D; Matrix B - nSET; Matrix C - nRST; Matrix D - CLK (DLY_IN - LOW)
		Single CNT/DLY	R/W	0000001: Matrix A - UP (CNT); Matrix B - KEEP (CNT); Matrix C - EXT_CLK (CNT); Matrix D - DLY_IN (CNT) (DLY_OUT connected to LUT/DFF)
		CNT/DLY → LUT	R/W	0000010: Matrix A - DLY_IN; Matrix B - In2; Matrix C - In1; Matrix D - In0 (DLY_OUT connected to In3)
		CNT/DLY → DFF	R/W	0010010: Matrix A - DLY_IN; Matrix B - nSET; Matrix C - nRST; Matrix D - CLK (DLY_OUT connected to D)
		CNT/DLY → LUT	R/W	0100010: Matrix A - DLY_IN; Matrix B - EXT_CLK (CNT); Matrix C - In1; Matrix D - In0 (DLY_OUT connected to In3; In2 - LOW)
		CNT/DLY → DFF	R/W	0110010: Matrix A - DLY_IN; Matrix B - EXT_CLK (CNT); Matrix C - nRST; Matrix D - CLK (DLY_OUT connected to D; nSET - HIGH)

Table 55. Register Map (Cont.)

Address		Signal Function	Access Type	Register Bit Definition
Byte	Register Bit			
0x80	1030:1024	CNT/DLY → LUT	R/W	100010: Matrix A - DLY_IN; Matrix B - In2; Matrix C - EXT_CLK (CNT); Matrix D - In0 (DLY_OUT connected to In3; In1 - LOW)
		CNT/DLY → DFF	R/W	1010010: Matrix A - DLY_IN; Matrix B - nSET; Matrix C - EXT_CLK (CNT); Matrix D - CLK (DLY_OUT connected to D; nRST - HIGH)
		CNT/DLY → LUT	R/W	0000110: Matrix A - In3; Matrix B - DLY_IN; Matrix C - In1; Matrix D - In0 (DLY_OUT connected to In2)
		CNT/DLY → DFF	R/W	0010110: Matrix A - D; Matrix B - DLY_IN; Matrix C - nRST; Matrix D - CLK (DLY_OUT connected to nSET)
		CNT/DLY → LUT	R/W	1000110: Matrix A - In3; Matrix B - DLY_IN; Matrix C - EXT_CLK (CNT); Matrix D - In0 (DLY_OUT connected to In2; In1 - LOW)
		CNT/DLY → DFF	R/W	1010110: Matrix A - D; Matrix B - DLY_IN; Matrix C - EXT_CLK (CNT); Matrix D - CLK (DLY_OUT connected to nSET; nRST - HIGH)
		CNT/DLY → LUT	R/W	0001010: Matrix A - In3; Matrix B - In2; Matrix C - DLY_IN; Matrix D - In0 (DLY_OUT connected to In1)
		CNT/DLY → DFF	R/W	0011010: Matrix A - D; Matrix B - nSET; Matrix C - DLY_IN; Matrix D - CLK (DLY_OUT connected to nRST)
		CNT/DLY → LUT	R/W	0101010: Matrix A - In3; Matrix B - EXT_CLK (CNT); Matrix C - DLY_IN; Matrix D - In0 (DLY_OUT connected to In1; In2 - LOW)
		CNT/DLY → DFF	R/W	0111010: Matrix A - D; Matrix B - EXT_CLK (CNT); Matrix C - DLY_IN; Matrix D - CLK (DLY_OUT connected to nRST; nSET - HIGH)
		CNT/DLY → LUT	R/W	0001110: Matrix A - In3; Matrix B - In2; Matrix C - In1; Matrix D - DLY_IN (DLY_OUT connected to In0)
		CNT/DLY → DFF	R/W	0011110: Matrix A - D; Matrix B - nSET; Matrix C - nRST; Matrix D - DLY_IN (DLY_OUT connected to CLK)

Table 55. Register Map (Cont.)

Address		Signal Function	Access Type	Register Bit Definition
Byte	Register Bit			
0x80	1030:1024	CNT/DLY → LUT	R/W	0101110: Matrix A - In3; Matrix B - EXT_CLK (CNT); Matrix C - In1; Matrix D - DLY_IN (DLY_OUT connected to In0; In2 - LOW)
		CNT/DLY → DFF	R/W	0111110: Matrix A - D; Matrix B - EXT_CLK (CNT); Matrix C - nRST; Matrix D - DLY_IN (DLY_OUT connected to CLK; nSET - HIGH)
		CNT/DLY → LUT	R/W	1001110: Matrix A - In3; Matrix B - In2; Matrix C - EXT_CLK (CNT); Matrix D - DLY_IN (DLY_OUT connected to In0; In1 - LOW)
		CNT/DLY → DFF	R/W	1011110: Matrix A - D; Matrix B - nSET; Matrix C - EXT_CLK (CNT); Matrix D - DLY_IN (DLY_OUT connected to CLK; nRST - HIGH)
		LUT → CNT/DLY	R/W	0000011: Matrix A - In3; Matrix B - In2; Matrix C - In1; Matrix D - In0 (LUT_OUT connected to DLY_IN)
		DFF → CNT/DLY	R/W	0010011: Matrix A - D; Matrix B - nSET; Matrix C - nRST; Matrix D - CLK (DFF_OUT connected to DLY_IN)
		LUT → CNT/DLY	R/W	0100011: Matrix A - In3; Matrix B - EXT_CLK (CNT); Matrix C - In1; Matrix D - In0 (LUT_OUT connected to DLY_IN; In2 - LOW)
		DFF → CNT/DLY	R/W	0110011: Matrix A - D; Matrix B - EXT_CLK (CNT); Matrix C - nRST; Matrix D - CLK (DFF_OUT connected to DLY_IN; nSET - HIGH)
		LUT → CNT/DLY	R/W	1000011: Matrix A - In3; Matrix B - In2; Matrix C - EXT_CLK (CNT); Matrix D - In0 (LUT_OUT connected to DLY_IN; In1 - LOW)
		DFF → CNT/DLY	R/W	1010011: Matrix A - D; Matrix B - nSET; Matrix C - EXT_CLK (CNT); Matrix D - CLK (DFF_OUT connected to DLY_IN; nRST - HIGH)

Table 55. Register Map (Cont.)

Address		Signal Function	Access Type	Register Bit Definition	
Byte	Register Bit				
0x80	1031	DLY/CNT0 Mode Selection	R/W	00: DLY 01: one shot	
	1032		R/W	10: frequency det 11: CNT register [1040] = 0	
	1033	DLY/CNT0 edge Mode Selection	R/W	00: both edge 01: falling edge	
	1034		R/W	10: rising edge 11: High Level Reset (only in CNT mode)	
0x81	1035	DLY/CNT0 Clock Source Select	R/W	Clock source sel[3:0]	
	1036		R/W	0000: 25M(OSC2); 0001: 25M/4;	
	1037		R/W	0010: 2M(OSC1); 0011: 2M/8;	
	1038		R/W	0100: 2M/64; 0101: 2M/512; 0110: 2K(OSC0); 0111: 2K/8;	
					1000: 2K/64; 1001: 2K/512; 1010: 2K/4096; 1011: 2K/32768;
					1100: 2 K/262144; 1101: CNT7_END;
					1110: External; 1111: Not used
	1039	FSM0 SET/RST Selection	R/W	0: Reset to 0 1: Set to data	
0x82	1040	CNT0 DLY EDET FUNCTION Selection	R/W	0: normal 1: DLY function edge detection (registers [1032:1031] = 00)	
	1041	UP signal SYNC selection	R/W	0: bypass 1: after two DFF	
	1042	Keep signal SYNC selection	R/W	0: bypass 1: after two DFF	
	1043	CNT0 initial value selection	R/W	00: bypass the initial 01: initial 0	
	1044		R/W	10: initial 1 11: initial 1	
	1045	Wake sleep power-down state selection	R/W	0: low 1: high	
	1046	wake sleep mode selection	R/W	0: Default Mode 1: Wake Sleep Mode (registers [1032:1031] = 11)	
0x82	1047	CNT0 output pol selection	R/W	0: Default Output 1: Inverted Output	

Table 55. Register Map (Cont.)

Address		Signal Function	Access Type	Register Bit Definition
Byte	Register Bit			
0x83	1048	CNT0 CNT mode SYNC selection	R/W	0: bypass 1: after two DFF
	1053:1049	Single 3-bit LUT	R/W	00000: Matrix A - In2; Matrix B - In1; Matrix C - In0 (DLY_IN - LOW)
		Single DFF w RST and SET	R/W	10000: Matrix A - D; Matrix B - nSET/nRST; Matrix C - CLK (DLY_IN - LOW)
		Single CNT/DLY	R/W	00001: Matrix A - DLY_IN (CNT); Matrix B - EXT_CLK (CNT); Matrix C - NC (DLY_OUT connected to LUT/DFF)
		CNT/DLY → LUT	R/W	00010: Matrix A - DLY_IN; Matrix B - In1; Matrix C - In0 (DLY_OUT connected to In2)
		CNT/DLY → DFF	R/W	10010: Matrix A - DLY_IN; Matrix B - nSET/nRST; Matrix C - CLK (DLY_OUT connected to D)
		CNT/DLY → LUT	R/W	00110: Matrix A - In2; Matrix B - DLY_IN; Matrix C - In0 (DLY_OUT connected to In1)
		CNT/DLY → DFF	R/W	10110: Matrix A - D; Matrix B - DLY_IN; Matrix C - CLK (DLY_OUT connected to nSET/nRST)
		CNT/DLY → LUT	R/W	01010: Matrix A - In2; Matrix B - In1; Matrix C - DLY_IN (DLY_OUT connected to In0)
		CNT/DLY → DFF	R/W	11010: Matrix A - D; Matrix B - nSET/nRST; Matrix C - DLY_IN (DLY_OUT connected to CLK)
		LUT → CNT/DLY	R/W	00011: Matrix A - In2; Matrix B - In1; Matrix C - In0 (LUT_OUT connected to DLY_IN)
		DFF → CNT/DLY	R/W	10011: Matrix A - D; Matrix B - nSET/nRST; Matrix C - CLK (DFF_OUT connected to DLY_IN)

Table 55. Register Map (Cont.)

Address		Signal Function	Access Type	Register Bit Definition	
Byte	Register Bit				
0x83	1054	CNT1 function and edge mode selection	R/W	0000: both edge Delay; 0001: falling edge delay; 0010: rising edge delay; 0011: both edge One Shot; 0100: falling edge One Shot; 0101: rising edge One Shot; 0110: both edge freq detect; 0111: falling edge freq detect; 1000: rising edge freq detect; 1001: both edge detect; 1010: falling edge detect; 1011: rising edge detect; 1100: both edge reset CNT; 1101: falling edge reset CNT; 1110: rising edge reset CNT; 1111: high level reset CNT	
	1055		R/W		
0x84	1056		R/W		
	1057		R/W		
	1058		R/W		00: bypass the initial 01: initial 0
	1059		R/W		10: initial 1 11: initial 1
0x84	1060	DLY/CNT1 Clock Source Select	R/W	Clock source sel[3:0] 0000: 25M(OSC2); 0001: 25M/4; 0010: 2M(OSC1); 0011: 2M/8; 0100: 2M/64; 0101: 2M/512; 0110: 2K(OSC0); 0111: 2K/8; 1000: 2K/64; 1001: 2K/512; 1010: 2K/4096; 1011: 2K/32768; 1100: 2K/262144; 1101: CNT0_END; 1110: External; 1111: Not used	
	1061		R/W		
	1062		R/W		
	1063		R/W		
			R/W		

Table 55. Register Map (Cont.)

Address		Signal Function	Access Type	Register Bit Definition
Byte	Register Bit			
0x85	1064	CNT1 output pol selection	R/W	0: Default Output 1: Inverted Output
	1065	CNT1 CNT mode SYNC selection	R/W	0: bypass 1: after two DFF
	1066	CNT1 DLY EDET FUNCTION Selection	R/W	0: normal 1: DLY function edge detection (registers[1057:1054]=0000/0001/0010)
	1071:1067	Single 3-bit LUT	R/W	00000: Matrix A - In2; Matrix B - In1; Matrix C - In0 (DLY_IN - LOW)
		Single DFF w RST and SET	R/W	10000: Matrix A - D; Matrix B - nSET/nRST; Matrix C - CLK (DLY_IN - LOW)
		Single CNT/DLY	R/W	00001: Matrix A - DLY_IN (CNT); Matrix B - EXT_CLK (CNT); Matrix C - NC (DLY_OUT connected to LUT/DFF)
		CNT/DLY → LUT	R/W	00010: Matrix A - DLY_IN; Matrix B - In1; Matrix C - In0 (DLY_OUT connected to In2)
		CNT/DLY → DFF	R/W	10010: Matrix A - DLY_IN; Matrix B - nSET/nRST; Matrix C - CLK (DLY_OUT connected to D)
		CNT/DLY → LUT	R/W	00110: Matrix A - In2; Matrix B - DLY_IN; Matrix C - In0 (DLY_OUT connected to In1)
		CNT/DLY → DFF	R/W	10110: Matrix A - D; Matrix B - DLY_IN; Matrix C - CLK (DLY_OUT connected to nSET/nRST)
		CNT/DLY → LUT	R/W	01010: Matrix A - In2; Matrix B - In1; Matrix C - DLY_IN (DLY_OUT connected to In0)
		CNT/DLY → DFF	R/W	11010: Matrix A - D; Matrix B - nSET/nRST; Matrix C - DLY_IN (DLY_OUT connected to CLK)
		LUT → CNT/DLY	R/W	00011: Matrix A - In2; Matrix B - In1; Matrix C - In0 (LUT_OUT connected to DLY_IN)
	DFF → CNT/DLY	R/W	10011: Matrix A - D; Matrix B - nSET/nRST; Matrix C - CLK (DFF_OUT connected to DLY_IN)	

Table 55. Register Map (Cont.)

Address		Signal Function	Access Type	Register Bit Definition	
Byte	Register Bit				
0x86	1072	CNT2 initial value selection	R/W	00: bypass the initial	
	1073		R/W	01: initial 0 10: initial 1 11: initial 1	
	1074	CNT2 function and edge mode selection	R/W	0000: both edge Delay; 0001: falling edge delay; 0010: rising edge delay; 0011: both edge One Shot; 0100: falling edge One Shot; 0101: rising edge One Shot; 0110: both edge freq detect; 0111: falling edge freq detect; 1000: rising edge freq detect; 1001: both edge detect; 1010: falling edge detect; 1011: rising edge detect; 1100: both edge reset CNT; 1101: falling edge reset CNT; 1110: rising edge reset CNT; 1111: high level reset CNT	
	1075		R/W		
	1076		R/W		
	1077		R/W		
	1078		R/W		
	1079		R/W		
	0x87	1080	DLY/CNT2 Clock Source Select	R/W	Clock source sel[3:0] 0000: 25M(OSC2); 0001: 25M/4; 0010: 2M(OSC1); 0011: 2M/8; 0100: 2M/64; 0101: 2M/512; 0110: 2K(OSC0); 0111: 2K/8; 1000: 2K/64; 1001: 2K/512; 1010: 2K/4096; 1011: 2K/32768; 1100: 2K/262144; 1101: CNT1_END; 1110: External; 1111: Not used
		1081		R/W	
1082		R/W		0: Default Output, 1: Inverted Output	
1083		R/W		0: bypass; 1: after two DFF	
1084		R/W		0: normal; 1: DLY function edge detection(registers[1077:1074] = 0000/0001/0010)	
1085		CNT3 initial value selection		R/W	00:bypass the initial; 01: initial 0; 10: initial 1; 11: initial 1
1086				R/W	
1087	R/W	Multi3 register configure	refer to byte 0x88		

Table 55. Register Map (Cont.)

Address		Signal Function	Access Type	Register Bit Definition
Byte	Register Bit			
0x88	1088	CNT3 function and edge mode selection	R/W	0000: both edge Delay; 0001: falling edge delay; 0010: rising edge delay; 0011: both edge One Shot; 0100: falling edge One Shot; 0101: rising edge One Shot; 0110: both edge freq detect; 0111: falling edge freq detect; 1000: rising edge freq detect; 1001: both edge detect; 1010: falling edge detect; 1011: rising edge detect; 1100: both edge reset CNT; 1101: falling edge reset CNT; 1110: rising edge reset CNT; 1111: high level reset CNT
	1089		R/W	
	1090		R/W	
	1091		R/W	
	1087, 1093:1092, 1095:1094	Single 3-bit LUT	R/W	00000: Matrix A - In2; Matrix B - In1; Matrix C - In0 (DLY_IN - LOW)
		Single DFF w RST and SET	R/W	10000: Matrix A - D; Matrix B - nSET/nRST; Matrix C - CLK (DLY_IN - LOW)
		Single CNT/DLY	R/W	00001: Matrix A - DLY_IN (CNT); Matrix B - EXT_CLK (CNT); Matrix C - NC (DLY_OUT connected to LUT/DFF)
		CNT/DLY → LUT	R/W	00010: Matrix A - DLY_IN; Matrix B - In1; Matrix C - In0 (DLY_OUT connected to In2)
		CNT/DLY → DFF	R/W	10010: Matrix A - DLY_IN; Matrix B - nSET/nRST; Matrix C - CLK (DLY_OUT connected to D)
		CNT/DLY → LUT	R/W	00110: Matrix A - In2; Matrix B - DLY_IN; Matrix C - In0 (DLY_OUT connected to In1)
CNT/DLY → DFF		R/W	10110: Matrix A - D; Matrix B - DLY_IN; Matrix C - CLK (DLY_OUT connected to nSET/nRST)	
CNT/DLY → LUT		R/W	01010: Matrix A - In2; Matrix B - In1; Matrix C - DLY_IN (DLY_OUT connected to In0)	
CNT/DLY → DFF	R/W	11010: Matrix A - D; Matrix B - nSET/nRST; Matrix C - DLY_IN (DLY_OUT connected to CLK)		

Table 55. Register Map (Cont.)

Address		Signal Function	Access Type	Register Bit Definition
Byte	Register Bit			
0x88	1087, 1093:1092, 1095:1094	LUT → CNT/DLY	R/W	00011: Matrix A - In2; Matrix B - In1; Matrix C - In0 (LUT_OUT connected to DLY_IN)
		DFF → CNT/DLY	R/W	10011: Matrix A - D; Matrix B - nSET/nRST; Matrix C - CLK (DFF_OUT connected to DLY_IN)
0x89	1096	DLY/CNT3 Clock Source Select	R/W	Clock source sel[3:0]
	1097		R/W	0000: 25M(OSC2); 0001: 25M/4;
	1098		R/W	0010: 2M(OSC1); 0011:2M/8;
	1099		R/W	0100: 2M/64; 0101: 2M/512;
			R/W	0110:2K(OSC0); 0111: 2K/8;
			R/W	1000:2K/64; 1001: 2K/512;
			R/W	1010: 2K/4096; 1011:2K/32768;
	1100		CNT3 output pol selection	R/W
1101	CNT3 CNT mode SYNC selection	R/W	0: bypass 1: after two DFF	
1102	CNT3 DLY EDET FUNCTION Selection	R/W	0: normal 1: DLY function edge detection (registers[1091:1088]=0000/0001/0010)	
1103	CNT4 CNT mode SYNC selection	R/W	0: bypass 1: after two DFF	
0x8A	1104	CNT4 initial value selection	R/W	00: bypass the initial
	1105		R/W	01: initial 0 10: initial 1 11: initial 1
	1106	CNT4 DLY EDET FUNCTION Selection	R/W	0: normal 1: DLY function edge detection (registers[1119:1116]=0000/0001/0010)

Table 55. Register Map (Cont.)

Address		Signal Function	Access Type	Register Bit Definition
Byte	Register Bit			
0x8A	1111:1107	Single 3-bit LUT	R/W	00000: Matrix A - In2; Matrix B - In1; Matrix C - In0 (DLY_IN - LOW)
		Single DFF w RST and SET	R/W	10000: Matrix A - D; Matrix B - nSET/nRST; Matrix C - CLK (DLY_IN - LOW)
		Single CNT/DLY	R/W	00001: Matrix A - DLY_IN (CNT); Matrix B - EXT_CLK (CNT); Matrix C - NC (DLY_OUT connected to LUT/DFF)
		CNT/DLY → LUT	R/W	00010: Matrix A - DLY_IN; Matrix B - In1; Matrix C - In0 (DLY_OUT connected to In2)
		CNT/DLY → DFF	R/W	10010: Matrix A - DLY_IN; Matrix B - nSET/nRST; Matrix C - CLK (DLY_OUT connected to D)
		CNT/DLY → LUT	R/W	00110: Matrix A - In2; Matrix B - DLY_IN; Matrix C - In0 (DLY_OUT connected to In1)
		CNT/DLY → DFF	R/W	10110: Matrix A - D; Matrix B - DLY_IN; Matrix C - CLK (DLY_OUT connected to nSET/nRST)
		CNT/DLY → LUT	R/W	01010: Matrix A - In2; Matrix B - In1; Matrix C - DLY_IN (DLY_OUT connected to In0)
		CNT/DLY → DFF	R/W	11010: Matrix A - D; Matrix B - nSET/nRST; Matrix C - DLY_IN (DLY_OUT connected to CLK)
		LUT → CNT/DLY	R/W	00011: Matrix A - In2; Matrix B - In1; Matrix C - In0 (LUT_OUT connected to DLY_IN)
DFF → CNT/DLY	R/W	10011: Matrix A - D; Matrix B - nSET/nRST; Matrix C - CLK (DFF_OUT connected to DLY_IN)		

Table 55. Register Map (Cont.)

Address		Signal Function	Access Type	Register Bit Definition
Byte	Register Bit			
0x8B	1112	DLY/CNT4 Clock Source Select	R/W	Clock source sel[3:0] 0000: 25M(OSC2); 0001: 25M/4; 0010: 2M(OSC1); 0011: 2M/8; 0100: 2M/64; 0101: 2M/512; 0110: 2K(OSC0); 0111: 2K/8; 1000: 2K/64; 1001: 2K/512; 1010: 2K/4096; 1011: 2K/32768; 1100: 2K/262144; 1101: CNT3_END; 1110: External; 1111: Not used
	1113		R/W	
	1114		R/W	
	1115		R/W	
0x8B	1116	CNT4 function and edge mode selection	R/W	0000: both edge Delay; 0001: falling edge delay; 0010: rising edge delay; 0011: both edge One Shot; 0100: falling edge One Shot; 0101: rising edge One Shot; 0110: both edge freq detect; 0111: falling edge freq detect; 1000: rising edge freq detect; 1001: both edge detect; 1010: falling edge detect; 1011: rising edge detect; 1100: both edge reset CNT; 1101: falling edge reset CNT; 1110: rising edge reset CNT; 1111: high level reset CNT
	1117		R/W	
	1118		R/W	
	1119		R/W	

Table 55. Register Map (Cont.)

Address		Signal Function	Access Type	Register Bit Definition
Byte	Register Bit			
0x8C	1120	CNT4 output pol selection	R/W	0: Default Output 1: Inverted Output
	1121	CNT5 function and edge mode selection	R/W	0000: both edge Delay; 0001: falling edge delay; 0010: rising edge delay; 0011: both edge One Shot; 0100: falling edge One Shot; 0101: rising edge One Shot; 0110: both edge freq detect; 0111: falling edge freq detect; 1000: rising edge freq detect; 1001: both edge detect; 1010: falling edge detect; 1011: rising edge detect; 1100: both edge reset CNT; 1101: falling edge reset CNT; 1110: rising edge reset CNT; 1111: high level reset CNT
	1122		R/W	
	1123		R/W	
	1124		R/W	
	1125	CNT5 output pol selection	R/W	0: Default Output 1: Inverted Output
	1134, 1127:1126, 1133:1132	Single 3-bit LUT	R/W	00000: Matrix A - In2; Matrix B - In1; Matrix C - In0 (DLY_IN - LOW)
		Single DFF w RST and SET	R/W	10000: Matrix A - D; Matrix B - nSET/nRST; Matrix C - CLK (DLY_IN - LOW)
		Single CNT/DLY	R/W	00001: Matrix A - DLY_IN (CNT); Matrix B - EXT_CLK (CNT); Matrix C - NC (DLY_OUT connected to LUT/DFF)
		CNT/DLY → LUT	R/W	00010: Matrix A - DLY_IN; Matrix B - In1; Matrix C - In0 (DLY_OUT connected to In2)
		CNT/DLY → DFF	R/W	10010: Matrix A - DLY_IN; Matrix B - nSET/nRST; Matrix C - CLK (DLY_OUT connected to D)
		CNT/DLY → LUT	R/W	00110: Matrix A - In2; Matrix B - DLY_IN; Matrix C - In0 (DLY_OUT connected to In1)
		CNT/DLY → DFF	R/W	10110: Matrix A - D; Matrix B - DLY_IN; Matrix C - CLK (DLY_OUT connected to nSET/nRST)
		CNT/DLY → LUT	R/W	01010: Matrix A - In2; Matrix B - In1; Matrix C - DLY_IN (DLY_OUT connected to In0)

Table 55. Register Map (Cont.)

Address		Signal Function	Access Type	Register Bit Definition
Byte	Register Bit			
0x8C	1134, 1127:1126, 1133:1132	CNT/DLY → DFF	R/W	11010: Matrix A - D; Matrix B - nSET/nRST; Matrix C - DLY_IN (DLY_OUT connected to CLK)
		LUT → CNT/DLY	R/W	00011: Matrix A - In2; Matrix B - In1; Matrix C - In0 (LUT_OUT connected to DLY_IN)
		DFF → CNT/DLY	R/W	10011: Matrix A - D; Matrix B - nSET/nRST; Matrix C - CLK (DFF_OUT connected to DLY_IN)
0x8D	1128	DLY/CNT5 Clock Source Select	R/W	Clock source sel[3:0]
	1129		R/W	0000: 25M(OSC2);
	1130		R/W	0001: 25M/4;
	1131		R/W	0010: 2M(OSC1); 0011: 2M/8; 0100: 2M/64; 0101: 2M/512; 0110: 2K(OSC0); 0111: 2K/8; 1000: 2K/64; 1001: 2K/512; 1010: 2K/4096; 1011: 2K/32768; 1100: 2K/262144; 1101: CNT4_END; 1110: External; 1111: Not used
	1135	CNT5 DLY EDET FUNCTION Selection	R/W	0: normal; 1: DLY function edge detection (registers[1124:1121]=0000/0001/0010)
0x8E	1136	CNT5 CNT mode SYNC selection	R/W	0: bypass; 1: after two DFF
	1137	CNT5 initial value selection	R/W	00: bypass the initial
	1138		R/W	01: initial 0 10: initial 1 11: initial 1

Table 55. Register Map (Cont.)

Address		Signal Function	Access Type	Register Bit Definition
Byte	Register Bit			
0x8E	1139	CNT6 function and edge mode selection	R/W	0000: both edge Delay; 0001: falling edge delay; 0010: rising edge delay; 0011: both edge One Shot; 0100: falling edge One Shot; 0101: rising edge One Shot; 0110: both edge freq detect; 0111: falling edge freq detect; 1000: rising edge freq detect; 1001: both edge detect; 1010: falling edge detect; 1011: rising edge detect; 1100: both edge reset CNT; 1101: falling edge reset CNT; 1110: rising edge reset CNT; 1111: high level reset CNT
	1140		R/W	
	1141		R/W	
	1142		R/W	
	1143	CNT6 output pol selection	R/W	0: Default Output 1: Inverted Output
0x8F	1144	DLY/CNT6 Clock Source Select	R/W	Clock source sel[3:0] 0000: 25M(OSC2); 0001: 25M/4; 0010: 2M(OSC1); 0011: 2M/8; 0100: 2M/64; 0101: 2M/512; 0110: 2K(OSC0); 0111: 2K/8; 1000: 2K/64; 1001: 2K/512; 1010: 2K/4096; 1011: 2K/32768; 1100: 2K/262144; 1101: CNT5_END; 1110: External; 1111: Not used
	1145		R/W	
	1146		R/W	
	1147		R/W	

Table 55. Register Map (Cont.)

Address		Signal Function	Access Type	Register Bit Definition
Byte	Register Bit			
0x8F	1152, 1149:1148, 1151:1150	Single 3-bit LUT	R/W	00000: Matrix A - In2; Matrix B - In1; Matrix C - In0 (DLY_IN - LOW)
		Single DFF w RST and SET	R/W	10000: Matrix A - D; Matrix B - nSET/nRST; Matrix C - CLK (DLY_IN - LOW)
		Single CNT/DLY	R/W	00001: Matrix A - DLY_IN (CNT); Matrix B - EXT_CLK (CNT); Matrix C - NC (DLY_OUT connected to LUT/DFF)
		CNT/DLY → LUT	R/W	00010: Matrix A - DLY_IN; Matrix B - In1; Matrix C - In0 (DLY_OUT connected to In2)
		CNT/DLY → DFF	R/W	10010: Matrix A - DLY_IN; Matrix B - nSET/nRST; Matrix C - CLK (DLY_OUT connected to D)
		CNT/DLY → LUT	R/W	00110: Matrix A - In2; Matrix B - DLY_IN; Matrix C - In0 (DLY_OUT connected to In1)
		CNT/DLY → DFF	R/W	10110: Matrix A - D; Matrix B - DLY_IN; Matrix C - CLK (DLY_OUT connected to nSET/nRST)
		CNT/DLY → LUT	R/W	01010: Matrix A - In2; Matrix B - In1; Matrix C - DLY_IN (DLY_OUT connected to In0)
		CNT/DLY → DFF	R/W	11010: Matrix A - D; Matrix B - nSET/nRST; Matrix C - DLY_IN (DLY_OUT connected to CLK)
		LUT → CNT/DLY	R/W	00011: Matrix A - In2; Matrix B - In1; Matrix C - In0 (LUT_OUT connected to DLY_IN)

Table 55. Register Map (Cont.)

Address		Signal Function	Access Type	Register Bit Definition
Byte	Register Bit			
0x90	1152, 1149:1148, 1151:1150	DFF → CNT/DLY	R/W	10011: Matrix A - D; Matrix B - nSET/nRST; Matrix C - CLK (DFF_OUT connected to DLY_IN)
	1153	CNT6 DLY EDET FUNCTION Selection	R/W	0: normal 1: DLY function edge detection (registers[1142:1139]=0000/0001/0010)
	1154	CNT6 CNT mode SYNC selection	R/W	0: bypass 1: after two DFF
	1155	CNT6 initial value selection	R/W	00: bypass the initial 01: initial 0 10: initial 1 11: initial 1
	1156		R/W	
	1157	CNT7 initial value selection	R/W	00: bypass the initial 01: initial 0 10: initial 1 11: initial 1
	1158		R/W	
1159	CNT7 CNT mode SYNC selection	R/W	0: bypass 1: after two DFF	
0x91	1160	CNT7 DLY EDET FUNCTION Selection	R/W	0: normal 1: DLY function edge detection (registers [1174:1171]=0000/0001/0010)
	1161, 1165:1162	Single 3-bit LUT	R/W	00000: Matrix A - In2; Matrix B - In1; Matrix C - In0 (DLY_IN - LOW)
		Single DFF w RST and SET	R/W	10000: Matrix A - D; Matrix B - nSET/nRST; Matrix C - CLK (DLY_IN - LOW)
		Single CNT/DLY	R/W	00001: Matrix A - DLY_IN (CNT); Matrix B - EXT_CLK (CNT); Matrix C - NC (DLY_OUT connected to LUT/DFF)
		CNT/DLY → LUT	R/W	00010: Matrix A - DLY_IN; Matrix B - In1; Matrix C - In0 (DLY_OUT connected to In2)
		CNT/DLY → DFF	R/W	10010: Matrix A - DLY_IN; Matrix B - nSET/nRST; Matrix C - CLK (DLY_OUT connected to D)
		CNT/DLY → LUT	R/W	00110: Matrix A - In2; Matrix B - DLY_IN; Matrix C - In0 (DLY_OUT connected to In1)
CNT/DLY → DFF	R/W	10110: Matrix A - D; Matrix B - DLY_IN; Matrix C - CLK (DLY_OUT connected to nSET/nRST)		

Table 55. Register Map (Cont.)

Address		Signal Function	Access Type	Register Bit Definition
Byte	Register Bit			
0x91	1161, 1165:1162	CNT/DLY → LUT	R/W	01010: Matrix A - In2; Matrix B - In1; Matrix C - DLY_IN (DLY_OUT connected to In0)
		CNT/DLY → DFF	R/W	11010: Matrix A - D; Matrix B - nSET/nRST; Matrix C - DLY_IN (DLY_OUT connected to CLK)
		LUT → CNT/DLY	R/W	00011: Matrix A - In2; Matrix B - In1; Matrix C - In0 (LUT_OUT connected to DLY_IN)
		DFF → CNT/DLY	R/W	10011: Matrix A - D; Matrix B - nSET/nRST; Matrix C - CLK (DFF_OUT connected to DLY_IN)
0x92	1166	DLY/CNT7 Clock Source Select	R/W	Clock source sel[3:0]
	1167		R/W	0000: 25M(OSC2);
	1168, 1169		R/W	0001: 25M/4;
			R/W	0010: 2M(OSC1);
			R/W	0011: 2M/8;
			R/W	0100: 2M/64;
			R/W	0101: 2M/512;
			R/W	0110: 2K(OSC0);
			R/W	0111: 2K/8;
			R/W	1000: 2K/64;
R/W	1001: 2K/512;			
R/W	1010: 2K/4096;			
R/W	1011: 2K/32768;			
R/W	1100: 2K/262144;			
R/W	1101: CNT6_END;			
R/W	1110: External;			
R/W	1111: Not used			
1170	CNT7 output pol selection	R/W	0: Default Output 1: Inverted Output	
1171	CNT7 function and edge mode selection	R/W	0000: both edge Delay;	
1172		R/W	0001: falling edge delay;	
1173		R/W	0010: rising edge delay;	
1174		R/W	0011: both edge One Shot;	
		R/W	0100: falling edge One Shot;	
	R/W	0101: rising edge One Shot;		
	R/W	0110: both edge freq detect;		
	R/W	0111: falling edge freq detect;		
	R/W	1000: rising edge freq detect;		
	R/W	1001: both edge detect;		
R/W	1010: falling edge detect;			
R/W	1011: rising edge detect;			
R/W	1100: both edge reset CNT;			
R/W	1101: falling edge reset CNT;			
R/W	1110: rising edge reset CNT;			
R/W	1111: high level reset CNT			

Table 55. Register Map (Cont.)

Address		Signal Function	Access Type	Register Bit Definition
Byte	Register Bit			
0x92	1175	Reserved	R/W	
0x93	1176	Multi0_LUT4_DFF setting	R/W	[15]:LUT4_1 [15]/DFF20 or LATCH Select 0: DFF function, 1: LATCH function [14]:LUT4_1 [14]/DFF20 Output Select 0: Q output, 1: QB output [13]:LUT4_1 [13]/DFF20 Initial Polarity Select 0: Low, 1: High [12:0]:LUT4_1 [12:0]
	1177			
	1178			
	1179			
	1180			
	1181			
	1182			
1183				
0x94	1184			
	1185			
	1186			
	1187			
	1188			
	1189			
	1190			
1191				
0x95	1192	REG_CNT0_D[15:0]	R/W	Data[15:0]
	1193			
	1194			
	1195			
	1196			
	1197			
	1198			
1199				
0x96	1200			
	1201			
	1202			
	1203			
	1204			
	1205			
	1206			
1207				

Table 55. Register Map (Cont.)

Address		Signal Function	Access Type	Register Bit Definition
Byte	Register Bit			
0x97	1208	Multi1_LUT3_DFF setting	R/W	[7]:LUT3_9 [7]/DFF13 or LATCH Select 0: DFF function, 1: LATCH function [6]:LUT3_9 [6]/DFF13 Output Select 0: Q output, 1: QB output [5]:LUT3_9 [5]/DFF13 0: nRST from Matrix Output, 1: nSET from Matrix Output [4]:LUT3_9 [4]/DFF13 Initial Polarity Select 0: Low, 1: High [3:0]:LUT3_9 [3:0]
	1209			
	1210			
	1211			
	1212			
	1213			
	1214			
	1215			
0x98	1216	REG_CNT1_D[7:0]	R/W	Data[7:0]
	1217			
	1218			
	1219			
	1220			
	1221			
	1222			
	1223			
0x99	1224	Multi2_LUT3_DFF setting	R/W	[7]:LUT3_10 [7]/DFF14 or LATCH Select 0: DFF function, 1: LATCH function [6]:LUT3_10[6]/DFF14 Output Select 0: Q output, 1: QB output [5]:LUT3_10 [5]/DFF14 0: nRST from Matrix Output, 1: nSET from Matrix Output [4]:LUT3_10 [4]/DFF14 Initial Polarity Select 0: Low, 1: High [3:0]:LUT3_10 [3:0]
	1225			
	1226			
	1227			
	1228			
	1229			
	1230			
	1231			
0x9A	1232	REG_CNT2_D[7:0]	R/W	Data[7:0]
	1233			
	1234			
	1235			
	1236			
	1237			
	1238			
	1239			

Table 55. Register Map (Cont.)

Address		Signal Function	Access Type	Register Bit Definition
Byte	Register Bit			
0x9B	1240	Multi3_LUT3_DFF setting	R/W	[7]:LUT3_11 [7]/DFF15 or LATCH Select 0: DFF function, 1: LATCH function [6]:LUT3_11[6]/DFF15 Output Select 0: Q output, 1: QB output [5]:LUT3_11 [5]/DFF15 0: nRST from Matrix Output, 1: nSET from Matrix Output [4]:LUT3_11 [4]/DFF15 Initial Polarity Select 0: Low, 1: High [3:0]:LUT3_11 [3:0]
	1241			
	1242			
	1243			
	1244			
	1245			
	1246			
	1247			
0x9C	1248	REG_CNT3_D[7:0]	R/W	Data[7:0]
	1249			
	1250			
	1251			
	1252			
	1253			
	1254			
	1255			
0x9D	1256	Multi4_LUT3_DFF setting	R/W	[7]:LUT3_12 [7]/DFF16 or LATCH Select 0: DFF function, 1: LATCH function [6]:LUT3_12[6]/DFF16 Output Select 0: Q output, 1: QB output [5]:LUT3_12 [5]/DFF16 0: nRST from Matrix Output, 1: nSET from Matrix Output [4]:LUT3_12 [4]/DFF16 Initial Polarity Select 0: Low, 1: High [3:0]:LUT3_12 [3:0]
	1257			
	1258			
	1259			
	1260			
	1261			
	1262			
	1263			
0x9E	1264	REG_CNT4_D[7:0]	R/W	Data[7:0]
	1265			
	1266			
	1267			
	1268			
	1269			
	1270			
	1271			

Table 55. Register Map (Cont.)

Address		Signal Function	Access Type	Register Bit Definition
Byte	Register Bit			
0x9F	1272	Multi5_LUT3_DFF setting	R/W	[7]:LUT3_13 [7]/DFF17 or LATCH Select 0: DFF function, 1: LATCH function [6]:LUT3_13[6]/DFF17 Output Select 0: Q output, 1: QB output [5]:LUT3_13 [5]/DFF17 0: nRST from Matrix Output, 1: nSET from Matrix Output [4]:LUT3_13 [4]/DFF17 Initial Polarity Select 0: Low, 1: High [3:0]:LUT3_13 [3:0]
	1273			
	1274			
	1275			
	1276			
	1277			
	1278			
	1279			
0xA0	1280	REG_CNT5_D[7:0]	R/W	Data[7:0]
	1281			
	1282			
	1283			
	1284			
	1285			
	1286			
	1287			
0xA1	1288	Multi6_LUT3_DFF setting	R/W	[7]:LUT3_14 [7]/DFF18 or LATCH Select 0: DFF function, 1: LATCH function [6]:LUT3_14[6]/DFF18 Output Select 0: Q output, 1: QB output [5]:LUT3_14 [5]/DFF18 0: nRST from Matrix Output, 1: nSET from Matrix Output [4]:LUT3_14 [4]/DFF18 Initial Polarity Select 0: Low, 1: High [3:0]:LUT3_14 [3:0]
	1289			
	1290			
	1291			
	1292			
	1293			
	1294			
	1295			
0xA2	1296	REG_CNT6_D[7:0]	R/W	Data[7:0]
	1297			
	1298			
	1299			
	1300			
	1301			
	1302			
	1303			

Table 55. Register Map (Cont.)

Address		Signal Function	Access Type	Register Bit Definition		
Byte	Register Bit					
0xA3	1304	Multi7_LUT3_DFF setting	R/W	[7]:LUT3_15 [7]/DFF19 or LATCH Select 0: DFF function, 1: LATCH function [6]:LUT3_15[6]/DFF19 Output Select 0: Q output, 1: QB output [5]:LUT3_15 [5]/DFF19 0: nRST from Matrix Output, 1: nSET from Matrix Output [4]:LUT3_15 [4]/DFF19 Initial Polarity Select 0: Low, 1: High [3:0]:LUT3_15 [3:0]		
	1305					
	1306					
	1307					
	1308					
	1309					
	1310					
	1311					
0xA4	1312	REG_CNT7_D[7:0]	R/W	Data[7:0]		
	1313					
	1314					
	1315					
	1316					
	1317					
	1318					
	1319					
0xA5	1320	CNT0 (16bits) Counted Value	R	Virtual Input		
	1321					
	1322					
	1323					
	1324					
	1325					
	1326					
	1327					
0xA6	1328				R	
	1329					
	1330					
	1331					
	1332					
	1333					
	1334					
	1335					

Table 55. Register Map (Cont.)

Address		Signal Function	Access Type	Register Bit Definition
Byte	Register Bit			
0xA7	1336	CNT6 (8bits) Counted Value	R	Virtual Input
	1337			
	1338			
	1339			
	1340			
	1341			
	1342			
	1343			
0xA8	1344	CNT7 (8bits) Counted Value	R	Virtual Input
	1345			
	1346			
	1347			
	1348			
	1349			
	1350			
	1351			
0xA9	1352	LUT3_1_DFF4 setting	R/W	[7]:LUT3_1 [7]/DFF4 or LATCH Select 0: DFF function, 1: LATCH function [6]:LUT3_1 [6]/DFF4 Output Select 0: Q output, 1: QB output [5]:LUT3_1 [5]/DFF4 Initial Polarity Select 0: Low, 1: High [4]:LUT3_1 [4]/DFF4 0: nRST from Matrix Output, 1: nSET from Matrix Output [3]:LUT3_1 [3]/DFF4 Active level selection for RST/SET 0: Active low level reset/set, 1: Active high level reset/set [2:0]: LUT3_1 [2:0]
	1353			
	1354			
	1355			
	1356			
	1357			
	1358			
	1359			
0xAA	1360	LUT3_2_DFF5 setting	R/W	[7]:LUT3_2 [7]/DFF5 or LATCH Select 0: DFF function, 1: LATCH function [6]:LUT3_2 [6]/DFF5 Output Select 0: Q output, 1: QB output [5]:LUT3_2 [5]/DFF5 Initial Polarity Select 0: Low, 1: High [4]:LUT3_2 [4]/DFF5 0: nRST from Matrix Output, 1: nSET from Matrix Output [3]:LUT3_2 [3]/DFF5 Active level selection for RST/SET 0: Active low level reset/set, 1: Active high level reset/set [2:0]: LUT3_2 [2:0]
	1361			
	1362			
	1363			
	1364			
	1365			
	1366			
	1367			

Table 55. Register Map (Cont.)

Address		Signal Function	Access Type	Register Bit Definition
Byte	Register Bit			
0xAB	1368	LUT3_3_DFF6 setting	R/W	[7]:LUT3_3 [7]/DFF6 or LATCH Select 0: DFF function, 1: LATCH function [6]:LUT3_3 [6]/DFF6 Output Select 0: Q output, 1: QB output [5]:LUT3_3 [5]/DFF6 Initial Polarity Select 0: Low, 1: High [4]:LUT3_3 [4]/DFF6 0: nRST from Matrix Output, 1: nSET from Matrix Output [3]:LUT3_3 [3]/DFF6 Active level selection for RST/SET 0: Active low level reset/set, 1: Active high level reset/set [2:0]: LUT3_3 [2:0]
	1369			
	1370			
	1371			
	1372			
	1373			
	1374			
	1375			
0xAC	1376	LUT3_4_DFF7 setting	R/W	[7]:LUT3_4 [7]/DFF7 or LATCH Select 0: DFF function, 1: LATCH function [6]:LUT3_4 [6]/DFF7 Output Select 0: Q output, 1: QB output [5]:LUT3_4 [5]/DFF7 Initial Polarity Select 0: Low, 1: High [4]:LUT3_4 [4]/DFF7 0: nRST from Matrix Output, 1: nSET from Matrix Output [3]:LUT3_4 [3]/DFF7 Active level selection for RST/SET 0: Active low level reset/set, 1: Active high level reset/set [2:0]: LUT3_4 [2:0]
	1377			
	1378			
	1379			
	1380			
	1381			
	1382			
	1383			
0xAD	1384	LUT2_3_VAL or PGen_data	R/W	LUT2_3[3:0] or PGen 4bit counter data[3:0]
	1385		R/W	
	1386		R/W	
	1387		R/W	
	1388	LUT3_1 or DFF4 Select	R/W	0: LUT3_1 1: DFF4
	1389	LUT3_2 or DFF5 Select	R/W	0: LUT3_2 1: DFF5
	1390	LUT3_3 or DFF6 Select	R/W	0: LUT3_3 1: DFF6
	1391	LUT3_4 or DFF7 Select	R/W	0: LUT3_4 1: DFF7

Table 55. Register Map (Cont.)

Address		Signal Function	Access Type	Register Bit Definition
Byte	Register Bit			
0xAE	1392	PGen data	R/W	PGen Data[15:0]
	1393		R/W	
	1394		R/W	
	1395		R/W	
	1396		R/W	
	1397		R/W	
	1398		R/W	
	1399		R/W	
0xAF	1400		R/W	
	1401		R/W	
	1402		R/W	
	1403		R/W	
	1404		R/W	
	1405		R/W	
	1406		R/W	
	1407	R/W		
0xB0	1408	LUT2_3 or PGen Select	R/W	0: LUT2_3 1: PGen
	1409	Active level selection for RST/SET for LUT2_3 or PGen	R/W	0: Active low level reset/set 1: Active high level reset/set
	1410	Active level selection for RST/SET for LUT3_16 or Pipe Delay/RIPP CNT	R/W	0: Active low level reset/set 1: Active high level reset/set
	1411	Out of LUT3_16 or Out0 of Pipe Delay/RIPP CNT Select	R/W	0: LUT3_16 1: OUT0 of Pipe Delay or RIPP CNT
	1412	PIPE_RIPP_CNT_S	R/W	0: Pipe delay mode selection 1: Ripple Counter mode selection
	1413	Pipe Delay OUT1 Polarity Select	R/W	0: Non-inverted 1: Inverted
	1414	LUT4_0 or DFF12 Select	R/W	0: LUT4_0 1: DFF12
	1415	LUT3_0 or DFF3 Select	R/W	0: LUT3_0 1: DFF3

Table 55. Register Map (Cont.)

Address		Signal Function	Access Type	Register Bit Definition
Byte	Register Bit			
0xB1	1416	LUT value or pipe delay out sel or nSET/END value	R/W	[7:4]: LUT3_8 [7:4]/REG_S1[3:0] pipe delay out1 sel [3:0]: LUT3_8 [3:0]/REG_S0[3:0] pipe delay out0 sel at RIPP CNT mode: bit[1418:1416] is the nSET value bit[1421:1419] is the END value bit[1422] is the range control: 0 full cycle, 1 range cycle bit[1423] Not used
	1417		R/W	
	1418		R/W	
	1419		R/W	
	1420		R/W	
	1421		R/W	
	1422		R/W	
	1423		R/W	
0xB2	1424	LUT4_0_DFF12 setting	R/W	[15]:LUT4_0 [15]/DFF12 or LATCH Select 0: DFF function, 1: LATCH function [14]:LUT4_0 [14]/DFF12 Output Select 0: Q output, 1: QB output [13]:LUT4_0 [13]/DFF12 Initial Polarity Select 0: Low, 1: High [12]:LUT4_0 [12]/DFF12 stage selection 0: Q of first DFF; 1 Q of second DFF [11]:LUT4_0 [11]/DFF12 0: nRST from Matrix Output, 1: nSET from Matrix Output [10]:LUT4_0 [10]/DFF12 Active level selection for RST/SET 0: Active low level reset/set, 1: Active high level reset/set [9:0]: LUT4_0 [9:0]
	1425		R/W	
	1426		R/W	
	1427		R/W	
	1428		R/W	
	1429		R/W	
	1430		R/W	
	1431		R/W	
0xB3	1432		R/W	
	1433		R/W	
	1434		R/W	
	1435		R/W	
	1436		R/W	
	1437		R/W	
	1438		R/W	
	1439		R/W	
0xB4	1440	LUT3_0_DFF3 setting	R/W	[7]:LUT3_0 [7]/DFF3 or LATCH Select 0: DFF function, 1: LATCH function [6]:LUT3_0 [6]/DFF3 Output Select 0: Q output, 1: QB output [5]:LUT3_0 [5]/DFF3 Initial Polarity Select 0: Low, 1: High [4]:LUT3_0 [4]/DFF3stage selection 0: Q of first DFF; 1 Q of second DFF [3]:LUT3_0 [3]/DFF3 0: nRST from Matrix Output, 1: nSET from Matrix Output [2]:LUT3_0 [2]/DFF3 Active level selection for RST/SET 0: Active low level reset/set, 1: Active high level reset/set [1:0]: LUT3_0 [1:0]
	1441		R/W	
	1442		R/W	
	1443		R/W	
	1444		R/W	
	1445		R/W	
	1446		R/W	
	1447		R/W	

Table 55. Register Map (Cont.)

Address		Signal Function	Access Type	Register Bit Definition
Byte	Register Bit			
0xB5	1448	Filter or Edge Detector selection	R/W	0, filter 1, edge det
	1449	Output Polarity Select	R/W	0: output non-invert 1: output invert
	1450	Select the edge mode	R/W	00: Rising Edge Det 01: Falling Edge Det
	1451		R/W	10: Both Edge Det 11: Both Edge DLY
	1452	Delay Value Select for Programmable Delay & Edge Detector	R/W	00: 125 ns 01: 250 ns
	1453		R/W	10: 375 ns 11: 500 ns
	1454	Select the Edge Mode of Programmable Delay & Edge Detector	R/W	00: Rising Edge Detector 01: Falling Edge Detector
	1455		R/W	10: Both Edge Detector 11: Both Edge Delay
0xB6	1456	LUT3_5_DFF8 setting	R/W	[7]:LUT3_5 [7]/DFF8 or LATCH Select 0: DFF function, 1: LATCH function
	1457		R/W	[6]:LUT3_5 [6]/DFF8 Output Select 0: Q output, 1: QB output
	1458		R/W	[5]:LUT3_5 [5]/DFF8 Initial Polarity Select 0: Low, 1: High
	1459		R/W	[4]:LUT3_5 [4]/DFF8 0: nRST from Matrix Output, 1: nSET from Matrix Output
	1460		R/W	[3]:LUT3_5 [3]/DFF8 Active level selection for RST/SET 0: Active low level reset/set, 1: Active high level reset/set
	1461		R/W	[2:0]: LUT3_5 [2:0]
	1462		R/W	
	1463		R/W	
0xB7	1464	LUT3_6_DFF9 setting	R/W	[7]:LUT3_6 [7]/DFF9 or LATCH Select 0: DFF function, 1: LATCH function
	1465		R/W	[6]:LUT3_6 [6]/DFF9 Output Select 0: Q output, 1: QB output
	1466		R/W	[5]:LUT3_6 [5]/DFF9 Initial Polarity Select 0: Low, 1: High
	1467		R/W	[4]:LUT3_6 [4]/DFF9 0: nRST from Matrix Output, 1: nSET from Matrix Output
	1468		R/W	[3]:LUT3_6 [3]/DFF9 Active level selection for RST/SET 0: Active low level reset/set, 1: Active high level reset/set
	1469		R/W	[2:0]: LUT3_6 [2:0]
	1470		R/W	
	1471		R/W	

Table 55. Register Map (Cont.)

Address		Signal Function	Access Type	Register Bit Definition
Byte	Register Bit			
0xB8	1472	LUT3_7_DFF10 setting	R/W	[7]:LUT3_7 [7]/DFF10 or LATCH Select 0: DFF function, 1: LATCH function
	1473		R/W	[6]:LUT3_7 [6]/DFF10 Output Select 0: Q output, 1: QB output
	1474		R/W	[5]:LUT3_7 [5]/DFF10 Initial Polarity Select 0: Low, 1: High
	1475		R/W	[4]:LUT3_7 [4]/DFF10
	1476		R/W	0: nRST from Matrix Output, 1: nSET from Matrix Output
	1477		R/W	[3]:LUT3_7 [3]/DFF10 Active level selection for RST/SET 0: Active low level reset/set, 1: Active high level reset/set
	1478		R/W	[2:0]: LUT3_7 [2:0]
	1479		R/W	
0xB9	1480	LUT3_8_DFF11 setting	R/W	[7]:LUT3_8 [7]/DFF11 or LATCH Select 0: DFF function, 1: LATCH function
	1481		R/W	[6]:LUT3_8 [6]/DFF11 Output Select 0: Q output, 1: QB output
	1482		R/W	[5]:LUT3_8 [5]/DFF11 Initial Polarity Select 0: Low, 1: High
	1483		R/W	[4]:LUT3_8 [4]/DFF11
	1484		R/W	0: nRST from Matrix Output, 1: nSET from Matrix Output
	1485		R/W	[3]:LUT3_8 [3]/DFF11 Active level selection for RST/SET 0: Active low level reset/set, 1: Active high level reset/set
	1486		R/W	[2:0]: LUT3_8 [2:0]
	1487		R/W	
0xBA	1488	LUT2_0 or DFF0 Select	R/W	0: LUT2_0 1: DFF0
	1489	LUT2_1 or DFF1 Select	R/W	0: LUT2_1 1: DFF1
	1490	LUT2_2 or DFF2 Select	R/W	0: LUT2_2 1: DFF2
	1491	Reserved	R/W	
	1492	LUT3_5 or DFF8 Select	R/W	0: LUT3_5 1: DFF8
	1493	LUT3_6 or DFF9 Select	R/W	0: LUT3_6 1: DFF9
	1494	LUT3_7 or DFF10 Select	R/W	0: LUT3_7 1: DFF10
	1495	LUT3_8 or DFF11 Select	R/W	0: LUT3_8 1: DFF11

Table 55. Register Map (Cont.)

Address		Signal Function	Access Type	Register Bit Definition
Byte	Register Bit			
0xBB	1496	LUT2_0/DFF0 setting	R/W	[3]:LUT2_0 [3]/DFF0 or LATCH Select 0: DFF function, 1: LATCH function [2]:LUT2_0 [2]/DFF0 Output Select 0: Q output, 1: QB output [1]:LUT2_0 [1]/DFF0 Initial Polarity Select 0: Low, 1: High [0]:LUT2_0 [0]
	1497		R/W	
	1498		R/W	
	1499		R/W	
	1500	LUT2_1/DFF1 setting	R/W	[3]:LUT2_1 [3]/DFF1 or LATCH Select 0: DFF function, 1: LATCH function [2]:LUT2_1 [2]/DFF1 Output Select 0: Q output, 1: QB output [1]:LUT2_1 [1]/DFF1 Initial Polarity Select 0: Low, 1: High [0]:LUT2_1 [0]
	1501		R/W	
	1502		R/W	
	1503		R/W	
0xBC	1504	LUT2_2/DFF2 setting	R/W	[3]:LUT2_2 [3]/DFF2 or LATCH Select 0: DFF function, 1: LATCH function [2]:LUT2_2 [2]/DFF2 Output Select 0: Q output, 1: QB output [1]:LUT2_2 [1]/DFF2 Initial Polarity Select 0: Low, 1: High [0]:LUT2_2 [0]
	1505		R/W	
	1506		R/W	
	1507		R/W	
	1508		R/W	
	1509		R/W	
	1510		R/W	
	1511		R/W	
0xBD	1512	Reserved	R/W	
	1513		R/W	
	1514		R/W	
	1515		R/W	
	1516		R/W	
	1517		R/W	
	1518		R/W	
	1519		R/W	
0xBE	1520	Reserved	R/W	
	1521	Reserved	R/W	
	1522	Reserved	R/W	
	1523	Reserved	R/W	
	1524	Reserved	R/W	
	1525			
	1526			
	1527			

Table 55. Register Map (Cont.)

Address		Signal Function	Access Type	Register Bit Definition
Byte	Register Bit			
0xBF	1528	Reserved	R/W	
	1529	Reserved	R/W	
	1530	Reserved	R/W	
	1531	Reserved	R/W	
	1532	Reserved	R/W	
	1533	Reserved	R/W	
	1534	Reserved	R/W	
	1535	Reserved	R/W	
0xC0	1536	Reserved	R/W	
	1537	Reserved	R/W	
	1538	Reserved	R/W	
	1539	Reserved	R/W	
	1540	Reserved	R/W	
	1541	Reserved	R/W	
	1542	Reserved	R/W	
	1543	Reserved	R/W	
0xC1	1544	Reserved	R/W	
	1545	Reserved	R/W	
	1546	Reserved	R/W	
	1547	Reserved	R/W	
	1548	Reserved	R/W	
	1549	Reserved	R/W	
	1550	Reserved	R/W	
	1551	Reserved	R/W	
0xC2	1552	Reserved	R	
	1553	Reserved	R	
	1554	Reserved	R	
	1555	Reserved	R	
	1556	Reserved	R	
	1557	Reserved	R	
	1558	Reserved	R	
	1559	Reserved	R	

Table 55. Register Map (Cont.)

Address		Signal Function	Access Type	Register Bit Definition
Byte	Register Bit			
0xC3	1560	Reserved	R	
	1561	Reserved	R	
	1562	Reserved	R	
	1563	Reserved	R	
	1564	Reserved	R	
	1565	Reserved	R	
	1566	Reserved	R	
	1567	Reserved	R	
0xC4	1568	Reserved	R	
	1569	Reserved	R	
	1570	Reserved	R	
	1571	Reserved	R	
	1572	Reserved	R	
	1573	Reserved	R	
	1574	Reserved	R	
	1575	Reserved	R	
0xC5	1576	Reserved	R	
	1577	Reserved	R	
	1578	Reserved	R	
	1579	Reserved	R	
	1580	Reserved	R	
	1581	Reserved	R	
	1582	Reserved	R	
	1583	Reserved	R	
0xC6	1584	Reserved	R	
	1585	Reserved	R	
	1586	Reserved	R	
	1587	Reserved	R	
	1588	Reserved	R	
	1589	Reserved	R	
	1590	Reserved	R	
	1591	Reserved	R	

Table 55. Register Map (Cont.)

Address		Signal Function	Access Type	Register Bit Definition
Byte	Register Bit			
0xC7	1592	Reserved	R	
	1593	Reserved	R	
	1594	Reserved	R	
	1595	Reserved	R	
	1596	Reserved	R	
	1597	Reserved	R	
	1598	Reserved	R	
	1599	Reserved	R	
0xC8	1600	Reserved	R	
	1601	Reserved	R	
	1602	Reserved	R	
	1603	Reserved	R	
	1604	Reserved	R	
	1605	Reserved	R	
	1606	Reserved	R	
	1607	Reserved	R	
0xC9	1608	Reserved	R	
	1609	Reserved	R	
	1610	Reserved	R	
	1611	Reserved	R	
	1612	Reserved	R	
	1613	Reserved	R	
	1614	Reserved	R	
	1615	Reserved	R	
0xCA	1616	Reserved	R	
	1617	Reserved	R	
	1618	Reserved	R	
	1619	Reserved	R	
	1620	Reserved	R	
	1621	Reserved	R	
	1622	Reserved	R	
	1623	Reserved	R	

Table 55. Register Map (Cont.)

Address		Signal Function	Access Type	Register Bit Definition
Byte	Register Bit			
0xCB	1624	Reserved	R	
	1625	Reserved	R	
	1626	Reserved	R	
	1627	Reserved	R	
	1628	Reserved	R	
	1629	Reserved	R	
	1630	Reserved	R	
	1631	Reserved	R	
0xCC	1632	Reserved	R	
	1633	Reserved	R	
	1634	Reserved	R	
	1635	Reserved	R	
	1636	Reserved	R	
	1637	Reserved	R	
	1638	Reserved	R	
	1639	Reserved	R	
0xCD	1640	Reserved	R	
	1641	Reserved	R	
	1642	Reserved	R	
	1643	Reserved	R	
	1644	Reserved	R	
	1645	Reserved	R	
	1646	Reserved	R	
	1647	Reserved	R	
0xCE	1648	Reserved	R	
	1649	Reserved	R	
	1650	Reserved	R	
	1651	Reserved	R	
	1652	Reserved	R	
	1653	Reserved	R	
	1654	Reserved	R	
	1655	Reserved	R	

Table 55. Register Map (Cont.)

Address		Signal Function	Access Type	Register Bit Definition
Byte	Register Bit			
0xCF	1656	Reserved	R	
	1657	Reserved	R	
	1658	Reserved	R	
	1659	Reserved	R	
	1660	Reserved	R	
	1661	Reserved	R	
	1662	Reserved	R	
	1663	Reserved	R	
0xD0	1664	Reserved	R	
	1665	Reserved	R	
	1666	Reserved	R	
	1667	Reserved	R	
	1668	Reserved	R	
	1669	Reserved	R	
	1670	Reserved	R	
	1671	Reserved	R	
0xD1	1672	Reserved	R	
	1673	Reserved	R	
	1674	Reserved	R	
	1675	Reserved	R	
	1676	Reserved	R	
	1677	Reserved	R	
	1678	Reserved	R	
	1679	Reserved	R	
0xD2	1680	Reserved	R	
	1681	Reserved	R	
	1682	Reserved	R	
	1683	Reserved	R	
	1684	Reserved	R	
	1685	Reserved	R	
	1686	Reserved	R	
	1687	Reserved	R	

Table 55. Register Map (Cont.)

Address		Signal Function	Access Type	Register Bit Definition
Byte	Register Bit			
0xD3	1688	Reserved	R	
	1689	Reserved	R	
	1690	Reserved	R	
	1691	Reserved	R	
	1692	Reserved	R	
	1693	Reserved	R	
	1694	Reserved	R	
	1695	Reserved	R	
0xD4	1696	Reserved	R	
	1697	Reserved	R	
	1698	Reserved	R	
	1699	Reserved	R	
	1700	Reserved	R	
	1701	Reserved	R	
	1702	Reserved	R	
0xD5	1703	Reserved	R	
	1704	Reserved	R	
	1705	Reserved	R	
	1706	Reserved	R	
	1707	Reserved	R	
	1708	Reserved	R	
	1709	Reserved	R	
0xD6	1710	Reserved	R	
	1711	Reserved	R	
	1712	Reserved	R	
	1713	Reserved	R	
	1714	Reserved	R	
	1715	Reserved	R	
	1716	Reserved	R	
	1717	Reserved	R	
1718	Reserved	R		
	1719	Reserved	R	

Table 55. Register Map (Cont.)

Address		Signal Function	Access Type	Register Bit Definition
Byte	Register Bit			
0xD7	1720	Reserved	R	
	1721	Reserved	R	
	1722	Reserved	R	
	1723	Reserved	R	
	1724	Reserved	R	
	1725	Reserved	R	
	1726	Reserved	R	
	1727	Reserved	R	
0xD8	1728	Reserved	R	
	1729	Reserved	R	
	1730	Reserved	R	
	1731	Reserved	R	
	1732	Reserved	R	
	1733	Reserved	R	
	1734	Reserved	R	
	1735	Reserved	R	
0xD9	1736	Reserved	R	
	1737	Reserved	R	
	1738	Reserved	R	
	1739	Reserved	R	
	1740	Reserved	R	
	1741	Reserved	R	
	1742	Reserved	R	
	1743	Reserved	R	
0xDA	1744	Reserved	R	
	1745	Reserved	R	
	1746	Reserved	R	
	1747	Reserved	R	
	1748	Reserved	R	
	1749	Reserved	R	
	1750	Reserved	R	
	1751	Reserved	R	

Table 55. Register Map (Cont.)

Address		Signal Function	Access Type	Register Bit Definition
Byte	Register Bit			
0xDB	1752	Reserved	R	
	1753	Reserved	R	
	1754	Reserved	R	
	1755	Reserved	R	
	1756	Reserved	R	
	1757	Reserved	R	
	1758	Reserved	R	
	1759	Reserved	R	
0xDC	1760	Reserved	R	
	1761	Reserved	R	
	1762	Reserved	R	
	1763	Reserved	R	
	1764	Reserved	R	
	1765	Reserved	R	
	1766	Reserved	R	
	1767	Reserved	R	
0xDD	1768	Reserved	R	
	1769	Reserved	R	
	1770	Reserved	R	
	1771	Reserved	R	
	1772	Reserved	R	
	1773	Reserved	R	
	1774	Reserved	R	
	1775	Reserved	R	
0xDE	1776	Reserved	R	
	1777	Reserved	R	
	1778	Reserved	R	
	1779	Reserved	R	
	1780	Reserved	R	
	1781	Reserved	R	
	1782	Reserved	R	
	1783	Reserved	R	

Table 55. Register Map (Cont.)

Address		Signal Function	Access Type	Register Bit Definition
Byte	Register Bit			
0xDF	1784	Reserved	R	
	1785	Reserved	R	
	1786	Reserved	R	
	1787	Reserved	R	
	1788	Reserved	R	
	1789	Reserved	R	
	1790	Reserved	R	
	1791	Reserved	R	
0xE0	1792	Reserved	R	
	1793	Reserved	R	
	1794	Reserved	R	
	1795	Reserved	R	
	1796	Reserved	R	
	1797	Reserved	R	
	1798	Reserved	R	
	1799	Reserved	R	
0xE1	1800	Reserved	R	
	1801	Reserved	R	
	1802	Reserved	R	
	1803	Reserved	R	
	1804	Reserved	R	
	1805	Reserved	R	
	1806	Reserved	R	
	1807	Reserved	R	
0xE2	1808	Reserved	R	
	1809	Reserved	R	
	1810	Reserved	R	
	1811	Reserved	R	
	1812	Reserved	R	
	1813	Reserved	R	
	1814	Reserved	R	
	1815	Reserved	R	

Table 55. Register Map (Cont.)

Address		Signal Function	Access Type	Register Bit Definition
Byte	Register Bit			
0xE3	1816	Reserved	R	
	1817	Reserved	R	
	1818	Reserved	R	
	1819	Reserved	R	
	1820	Reserved	R	
	1821	Reserved	R	
	1822	Reserved	R	
	1823	Reserved	R	
0xE4	1824	Reserved	R	
	1825	Reserved	R	
	1826	Reserved	R	
	1827	Reserved	R	
	1828	Reserved	R	
	1829	Reserved	R	
	1830	Reserved	R	
	1831	Reserved	R	
0xE5	1832	Reserved	R	
	1833	Reserved	R	
	1834	Reserved	R	
	1835	Reserved	R	
	1836	Reserved	R	
	1837	Reserved	R	
	1838	Reserved	R	
	1839	Reserved	R	
0xE6	1840	Reserved	R	
	1841	Reserved	R	
	1842	Reserved	R	
	1843	Reserved	R	
	1844	Reserved	R	
	1845	Reserved	R	
	1846	Reserved	R	
	1847	Reserved	R	

Table 55. Register Map (Cont.)

Address		Signal Function	Access Type	Register Bit Definition
Byte	Register Bit			
0xE7	1848	Reserved	R	
	1849	Reserved	R	
	1850	Reserved	R	
	1851	Reserved	R	
	1852	Reserved	R	
	1853	Reserved	R	
	1854	Reserved	R	
	1855	Reserved	R	
0xE8	1856	Reserved	R	
	1857	Reserved	R	
	1858	Reserved	R	
	1859	Reserved	R	
	1860	Reserved	R	
	1861	Reserved	R	
	1862	Reserved	R	
	1863	Reserved	R	
0xE9	1864	Reserved	R	
	1865	Reserved	R	
	1866	Reserved	R	
	1867	Reserved	R	
	1868	Reserved	R	
	1869	Reserved	R	
	1870	Reserved	R	
	1871	Reserved	R	
0xEA	1872	Reserved	R	
	1873	Reserved	R	
	1874	Reserved	R	
	1875	Reserved	R	
	1876	Reserved	R	
	1877	Reserved	R	
	1878	Reserved	R	
	1879	Reserved	R	

Table 55. Register Map (Cont.)

Address		Signal Function	Access Type	Register Bit Definition
Byte	Register Bit			
0xEB	1880	Reserved	R	
	1881	Reserved	R	
	1882	Reserved	R	
	1883	Reserved	R	
	1884	Reserved	R	
	1885	Reserved	R	
	1886	Reserved	R	
	1887	Reserved	R	
0xEC	1888	Reserved	R/W	
	1889	Reserved	R/W	
	1890	Reserved	R/W	
	1891	Reserved	R/W	
	1892	Reserved	R/W	
	1893	Reserved	R/W	
	1894	Reserved	R/W	
	1895	Reserved	R/W	
0xED	1896	Reserved	R/W	
	1897	Reserved	R/W	
	1898	Reserved	R/W	
	1899	Reserved	R/W	
	1900	Reserved	R/W	
	1901	Reserved	R/W	
	1902	Reserved	R/W	
	1903	Reserved	R/W	
0xEE	1904	Reserved	R/W	
	1905	Reserved	R/W	
	1906	Reserved	R/W	
	1907	Reserved	R/W	
	1908	Reserved	R/W	
	1909	Reserved	R/W	
	1910	Reserved	R/W	
	1911	Reserved	R/W	

Table 55. Register Map (Cont.)

Address		Signal Function	Access Type	Register Bit Definition
Byte	Register Bit			
0xEF	1912	Reserved	R/W	
	1913	Reserved	R/W	
	1914	Reserved	R/W	
	1915	Reserved	R/W	
	1916	Reserved	R/W	
	1917	Reserved	R/W	
	1918	Reserved	R/W	
	1919	Reserved	R/W	
0xF0	1920	Reserved	R/W	
	1921	Reserved	R/W	
	1922	Reserved	R/W	
	1923	Reserved	R/W	
	1924	Reserved	R/W	
	1925	Reserved	R/W	
	1926	Reserved	R/W	
	1927	Reserved	R/W	
0xF1	1928	Reserved	R/W	
	1929	Reserved	R/W	
	1930	Reserved	R/W	
	1931	Reserved	R/W	
	1932	Reserved	R/W	
	1933	Reserved	R/W	
	1934	Reserved	R/W	
	1935	Reserved	R/W	
0xF2	1936	Reserved	R/W	
	1937	Reserved	R/W	
	1938	Reserved	R/W	
	1939	Reserved	R/W	
	1940	Reserved	R/W	
	1941	Reserved	R/W	
	1942	Reserved	R/W	
	1943	Reserved	R/W	

Table 55. Register Map (Cont.)

Address		Signal Function	Access Type	Register Bit Definition
Byte	Register Bit			
0xF3	1944	Reserved	R/W	
	1945	Reserved	R/W	
	1946	Reserved	R/W	
	1947	Reserved	R/W	
	1948	Reserved	R/W	
	1949	Reserved	R/W	
	1950	Reserved	R/W	
	1951	Reserved	R/W	
0xF4	1952	GPO0 I ² C output expander data	R/W	
	1953	GPO0 I ² C output expander select	R/W	0: GPO0 output come from matrix 1: GPO0 output is register
	1954	GPIO6 I ² C output expander data	R/W	
	1955	GPIO6 I ² C output expander select	R/W	0: GPIO6 output come from matrix 1: GPIO6 output is register
	1956	GPIO7 I ² C output expander data	R/W	
	1957	GPIO7 I ² C output expander select	R/W	0: GPIO7 output come from matrix 1: GPIO7 output is register
	1958	GPIO8 I ² C output expander data	R/W	
	1959	GPIO8 I ² C output expander select	R/W	0: GPIO8 output come from matrix 1: GPIO8 output is register
0xF5	1960	I ² C reset bit with reloading NVM into Data register (soft reset)	R	0: Keep existing condition 1: Reset execution
	1961	IO Latching Enable During I ² C Write Interface	R	0: Disable 1: Enable
	1962	Reserved	R	
	1963	Protect mode enable	R	0: Disable 1: Enable
	1964	Reserved	R	
	1965	Register protection mode bit 0	R	000: all open read/write (mode 0); 001: partly lock read (mode 1); 010: partly lock read2 (mode 2); 011: partly lock read2/write (mode 3); 100: all lock read (mode 4); 101: all lock write (mode 5); 110: all lock read/write (mode 6).
	1966	Register protection mode bit 1	R	
	1967	Register protection mode bit 2	R	

Table 55. Register Map (Cont.)

Address		Signal Function	Access Type	Register Bit Definition
Byte	Register Bit			
0xF6	1968	Reserved I ² C write mask bits	R/W	0: overwrite 1: mask
	1969		R/W	
	1970		R/W	
	1971		R/W	
	1972		R/W	
	1973		R/W	
	1974		R/W	
	1975		R/W	
0xF7	1976	Reserved	R	
	1977		R	
	1978		R	
	1979		R	
	1980		R	
	1981		R	
	1982		R	
	1983		R	
0xF8	1984	Reserved	R	
	1985		R	
	1986		R	
	1987		R	
	1988		R	
	1989		R	
	1990		R	
	1991		R	
0xF9	1992	Reserved	R	
	1993	Reserved	R	
	1994	Reserved	R	
	1995		R	
	1996	Reserved	R	
	1997		R	
	1998		R	
	1999		R	

Table 55. Register Map (Cont.)

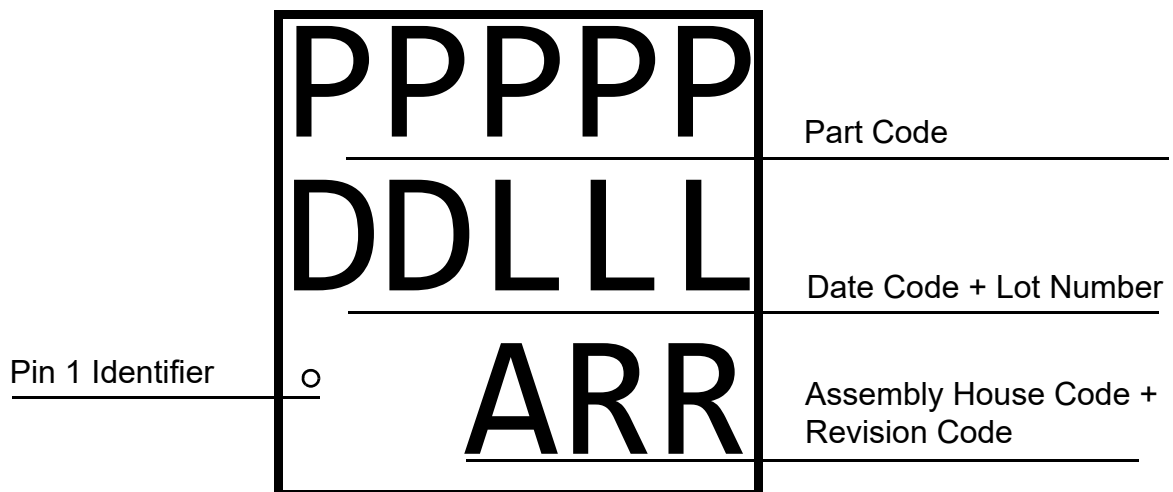
Address		Signal Function	Access Type	Register Bit Definition
Byte	Register Bit			
0xFA	2000	8-bit Pattern ID Byte 0 (from NVM): ID[23:16]	R	
	2001		R	
	2002		R	
	2003		R	
	2004		R	
	2005		R	
	2006		R	
	2007		R	
0xFB	2008	Reserved	R	
	2009		R	
	2010		R	
	2011		R	
	2012		R	
	2013		R	
	2014		R	
	2015		R	
0xFC	2016	Reserved	R	
	2017		R	
	2018		R	
	2019		R	
	2020		R	
	2021		R	
	2022		R	
	2023		R	
0xFD	2024	I ² C slave address	R	
	2025		R	
	2026		R	
	2027		R	
	2028	Slave address selection bit0	R	0: from register [2024] 1: from GPIO
	2029	Slave address selection bit1	R	0: from register [2025] 1: from GPIO2
	2030	Slave address selection bit2	R	0: from register [2026] 1: from GPIO4
	2031	Slave address selection bit3	R	0: from register [2027] 1: from GPIO5

Table 55. Register Map (Cont.)

Address		Signal Function	Access Type	Register Bit Definition
Byte	Register Bit			
0xFE	2032	I ² C operation disable bit	R	0: I ² C operation enable; matrix in 32(33) select I2C_virtual_0(1) Input 1: I ² C operation disable; matrix in 32(33) select GPIO0(GPIO1) digital input
	2033	Reserved	R	
	2034	Reserved	R	
	2035	Reserved	R	
	2036	Reserved	R	
	2037	Reserved	R	
	2038	Reserved	R	
	2039	Reserved	R	
0xFF	2040	Reserved	R	
	2041		R	
	2042		R	
	2043		R	
	2044		R	
	2045		R	
	2046		R	
	2047		R	

18. Package Top Marking Definitions

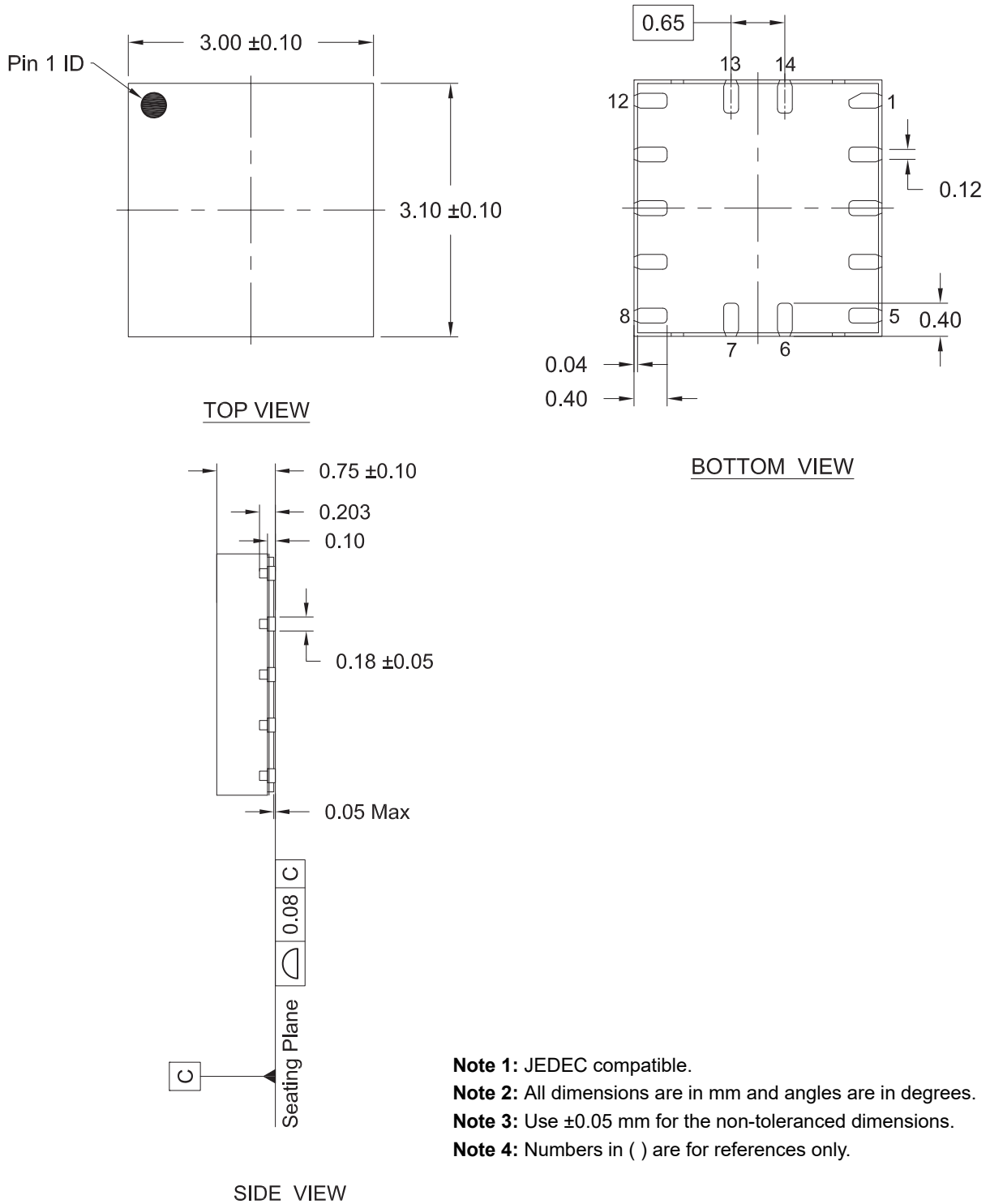
18.1 STQFN 14L 3.0 mm x 3.1 mm 0.65P FCD



19. Package Information

19.1 Package Outlines for STQFN 14L 3.0 mm x 3.1 mm x 0.75 mm 0.65P FC Package

JEDEC MO-220
IC Net Weight: 0.016 g



- Note 1:** JEDEC compatible.
- Note 2:** All dimensions are in mm and angles are in degrees.
- Note 3:** Use ± 0.05 mm for the non-toleranced dimensions.
- Note 4:** Numbers in () are for references only.

Figure 115. STQFN 14L 3.0x3.1mm 0.65P FC Package

19.2 STQFN Handling

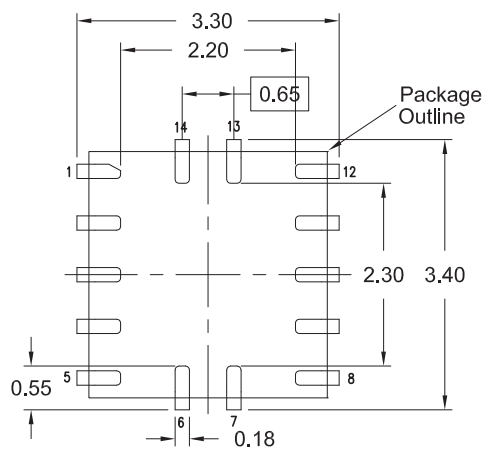
Be sure to handle STQFN package only in a clean, ESD-safe environment. Tweezers or vacuum pick-up tools are suitable for handling. Do not handle STQFN package with fingers as this can contaminate the package pins and interface with solder reflow.

19.3 Soldering Information

Please see IPC/JEDEC J-STD-020: latest revision for re-flow profile based on package volume of 2.64 mm³ (nominal) for STQFN 14L Package. More information can be found at <http://www.jedec.org>.

20. Layout Guidelines

20.1 STQFN 14L 3.0 mm x 3.1 mm x 0.75 mm 0.65P FC Green Package



RECOMMENDED LAND PATTERN
(PCB Top View, NSMD Design)

Unit: mm

21. Ordering Information

Part number	Type
SLG46857-AP	14-pin STQFN

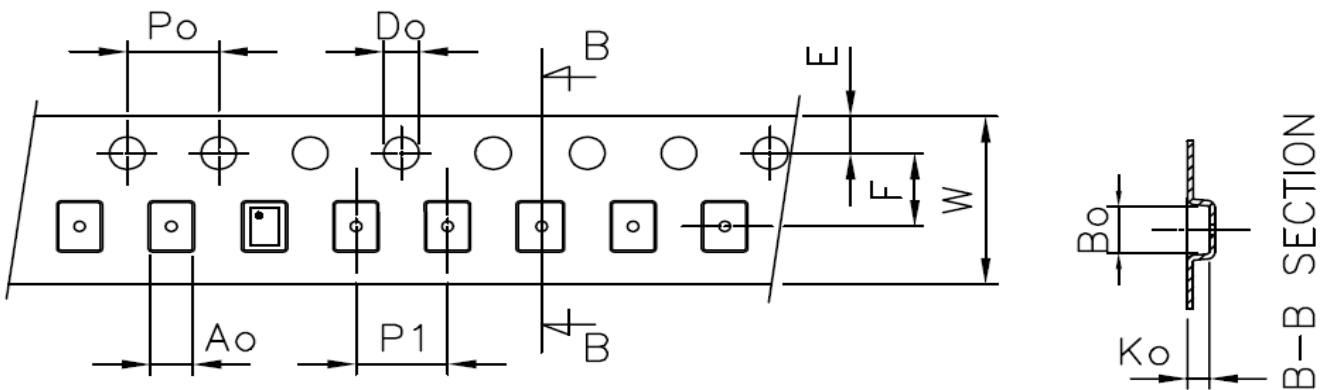
Note: Use SLG46857-AP to order. Shipments are automatically in Tape and Reel.

21.1 Tape and Reel Specifications

Package type	# of pins	Nominal Package size (mm)	Max units		Reel & Hub size (mm)	Leader (min)		Trailer (min)		Tape Width (mm)	Part Pitch (mm)
			per Reel	per Box		Pockets	Length (mm)	Pockets	Length (mm)		
STQFN 14L 3.0 mm x 3.1 mm 0.65P FC Green	14	3.0x3.1x0.75	5000	5000	330/102	42	336	42	336	12	8

21.2 Carrier Tape Drawing and Dimensions

Package type	Pocket BTM length (mm)	Pocket BTM width (mm)	Pocket depth (mm)	Index hole pitch (mm)	Pocket pitch (mm)	Index hole diameter (mm)	Index hole to tape edge (mm)	Index hole to pocket center (mm)	Tape width (mm)
	A0	B0	K0	P0	P1	D0	E	F	W
STQFN 14L 3.0 mm x 3.1 mm 0.65P FC Green	3.25	3.35	1.00	4.00	8.00	1.50	1.75	5.50	12.15



Glossary

A

ACK	Acknowledge bit
ACMP	Analog Comparator
ACMPH	Analog Comparator High Speed
ACMPL	Analog Comparator Low Power
ADAS	Advanced Driver Assistance Systems

B

BG	Bandgap
----	---------

C

CLK	Clock
CMO	Connection matrix output
CMP	Comparator
CNT	Counter

D

DFF	D Flip-Flop
DLY	Delay

E

ESD	Electrostatic discharge
EV	End Value

F

FSM	Finite State Machine
-----	----------------------

G

GPI	General Purpose Input
GPIO	General Purpose Input/Output
GPO	General Purpose Output

I

IN	Input
IO	Input/Output

L

LPF	Low-pass Filter
LSB	Least Significant Bit

LUT Look Up Table

LV Low Voltage

M

MSB Most Significant Bit

MUX Multiplexer

N

NPR Non-Volatile Memory Read/Write/Erase Protection

nRST Reset

NVM Non-Volatile Memory

O

OD Open-drain

OE Output Enable

OSC Oscillator

OTP One Time Programmable

OUT Output

P

PD Power-Down

PGen Pattern Generator

POR Power-On Reset

PP Push-pull

PWR Power

P DLY Programmable Delay

R

R/W Read/Write

S

SCL I²C Clock Input

SDA I²C Data Input/Output

SLA Slave Address

SMT With Schmitt trigger

SV nSET Value

T

TS Temperature Sensor

V

Vref Voltage Reference

W

WOSMT Without Schmitt trigger

WS Wake and Sleep Controller

Revision History

Revision	Date	Description
1.00	Aug 6, 2024	Initial release

RoHS Compliance

Renesas Electronics Corporation's suppliers certify that its products are in compliance with the requirements of Directive 2011/65/EU of the European Parliament on the restriction of the use of certain hazardous substances in electrical and electronic equipment. RoHS certificates from our suppliers are available on request.

Notice

1. Descriptions of circuits, software and other related information in this document are provided only to illustrate the operation of semiconductor products and application examples. You are fully responsible for the incorporation or any other use of the circuits, software, and information in the design of your product or system. Renesas Electronics disclaims any and all liability for any losses and damages incurred by you or third parties arising from the use of these circuits, software, or information.
2. Renesas Electronics hereby expressly disclaims any warranties against and liability for infringement or any other claims involving patents, copyrights, or other intellectual property rights of third parties, by or arising from the use of Renesas Electronics products or technical information described in this document, including but not limited to, the product data, drawings, charts, programs, algorithms, and application examples.
3. No license, express, implied or otherwise, is granted hereby under any patents, copyrights or other intellectual property rights of Renesas Electronics or others.
4. You shall be responsible for determining what licenses are required from any third parties, and obtaining such licenses for the lawful import, export, manufacture, sales, utilization, distribution or other disposal of any products incorporating Renesas Electronics products, if required.
5. You shall not alter, modify, copy, or reverse engineer any Renesas Electronics product, whether in whole or in part. Renesas Electronics disclaims any and all liability for any losses or damages incurred by you or third parties arising from such alteration, modification, copying or reverse engineering.
6. Renesas Electronics products are classified according to the following two quality grades: "Standard" and "High Quality". The intended applications for each Renesas Electronics product depends on the product's quality grade, as indicated below.

"Standard": Computers; office equipment; communications equipment; test and measurement equipment; audio and visual equipment; home electronic appliances; machine tools; personal electronic equipment; industrial robots; etc.

"High Quality": Transportation equipment (automobiles, trains, ships, etc.); traffic control (traffic lights); large-scale communication equipment; key financial terminal systems; safety control equipment; etc.

Unless expressly designated as a high reliability product or a product for harsh environments in a Renesas Electronics data sheet or other Renesas Electronics document, Renesas Electronics products are not intended or authorized for use in products or systems that may pose a direct threat to human life or bodily injury (artificial life support devices or systems; surgical implantations; etc.), or may cause serious property damage (space system; undersea repeaters; nuclear power control systems; aircraft control systems; key plant systems; military equipment; etc.). Renesas Electronics disclaims any and all liability for any damages or losses incurred by you or any third parties arising from the use of any Renesas Electronics product that is inconsistent with any Renesas Electronics data sheet, user's manual or other Renesas Electronics document.
7. No semiconductor product is absolutely secure. Notwithstanding any security measures or features that may be implemented in Renesas Electronics hardware or software products, Renesas Electronics shall have absolutely no liability arising out of any vulnerability or security breach, including but not limited to any unauthorized access to or use of a Renesas Electronics product or a system that uses a Renesas Electronics product. RENESAS ELECTRONICS DOES NOT WARRANT OR GUARANTEE THAT RENESAS ELECTRONICS PRODUCTS, OR ANY SYSTEMS CREATED USING RENESAS ELECTRONICS PRODUCTS WILL BE INVULNERABLE OR FREE FROM CORRUPTION, ATTACK, VIRUSES, INTERFERENCE, HACKING, DATA LOSS OR THEFT, OR OTHER SECURITY INTRUSION ("Vulnerability Issues"). RENESAS ELECTRONICS DISCLAIMS ANY AND ALL RESPONSIBILITY OR LIABILITY ARISING FROM OR RELATED TO ANY VULNERABILITY ISSUES. FURTHERMORE, TO THE EXTENT PERMITTED BY APPLICABLE LAW, RENESAS ELECTRONICS DISCLAIMS ANY AND ALL WARRANTIES, EXPRESS OR IMPLIED, WITH RESPECT TO THIS DOCUMENT AND ANY RELATED OR ACCOMPANYING SOFTWARE OR HARDWARE, INCLUDING BUT NOT LIMITED TO THE IMPLIED WARRANTIES OF MERCHANTABILITY, OR FITNESS FOR A PARTICULAR PURPOSE.
8. When using Renesas Electronics products, refer to the latest product information (data sheets, user's manuals, application notes, "General Notes for Handling and Using Semiconductor Devices" in the reliability handbook, etc.), and ensure that usage conditions are within the ranges specified by Renesas Electronics with respect to maximum ratings, operating power supply voltage range, heat dissipation characteristics, installation, etc. Renesas Electronics disclaims any and all liability for any malfunctions, failure or accident arising out of the use of Renesas Electronics products outside of such specified ranges.
9. Although Renesas Electronics endeavors to improve the quality and reliability of Renesas Electronics products, semiconductor products have specific characteristics, such as the occurrence of failure at a certain rate and malfunctions under certain use conditions. Unless designated as a high reliability product or a product for harsh environments in a Renesas Electronics data sheet or other Renesas Electronics document, Renesas Electronics products are not subject to radiation resistance design. You are responsible for implementing safety measures to guard against the possibility of bodily injury, injury or damage caused by fire, and/or danger to the public in the event of a failure or malfunction of Renesas Electronics products, such as safety design for hardware and software, including but not limited to redundancy, fire control and malfunction prevention, appropriate treatment for aging degradation or any other appropriate measures. Because the evaluation of microcomputer software alone is very difficult and impractical, you are responsible for evaluating the safety of the final products or systems manufactured by you.
10. Please contact a Renesas Electronics sales office for details as to environmental matters such as the environmental compatibility of each Renesas Electronics product. You are responsible for carefully and sufficiently investigating applicable laws and regulations that regulate the inclusion or use of controlled substances, including without limitation, the EU RoHS Directive, and using Renesas Electronics products in compliance with all these applicable laws and regulations. Renesas Electronics disclaims any and all liability for damages or losses occurring as a result of your noncompliance with applicable laws and regulations.
11. Renesas Electronics products and technologies shall not be used for or incorporated into any products or systems whose manufacture, use, or sale is prohibited under any applicable domestic or foreign laws or regulations. You shall comply with any applicable export control laws and regulations promulgated and administered by the governments of any countries asserting jurisdiction over the parties or transactions.
12. It is the responsibility of the buyer or distributor of Renesas Electronics products, or any other party who distributes, disposes of, or otherwise sells or transfers the product to a third party, to notify such third party in advance of the contents and conditions set forth in this document.
13. This document shall not be reprinted, reproduced or duplicated in any form, in whole or in part, without prior written consent of Renesas Electronics.
14. Please contact a Renesas Electronics sales office if you have any questions regarding the information contained in this document or Renesas Electronics products.

(Note1) "Renesas Electronics" as used in this document means Renesas Electronics Corporation and also includes its directly or indirectly controlled subsidiaries.

(Note2) "Renesas Electronics product(s)" means any product developed or manufactured by or for Renesas Electronics.

(Disclaimer Rev.5.0-1)

Corporate Headquarters

TOYOSU FORESIA, 3-2-24 Toyosu,
Koto-ku, Tokyo 135-0061, Japan
www.renesas.com

Trademarks

Renesas and the Renesas logo are trademarks of Renesas Electronics Corporation. All trademarks and registered trademarks are the property of their respective owners.

Contact Information

For further information on a product, technology, the most up-to-date version of a document, or your nearest sales office, please visit:
www.renesas.com/contact/