

General Description

Renesas SLG4B41337 is a low power and small form device. The SoC is housed in a 1.6 x 2.5 mm STQFN package which is optimal for using with small devices.

Features

- Low Power Consumption
- Pb-Free / RoHS Compliant
- Halogen-Free
- STQFN-14 Package

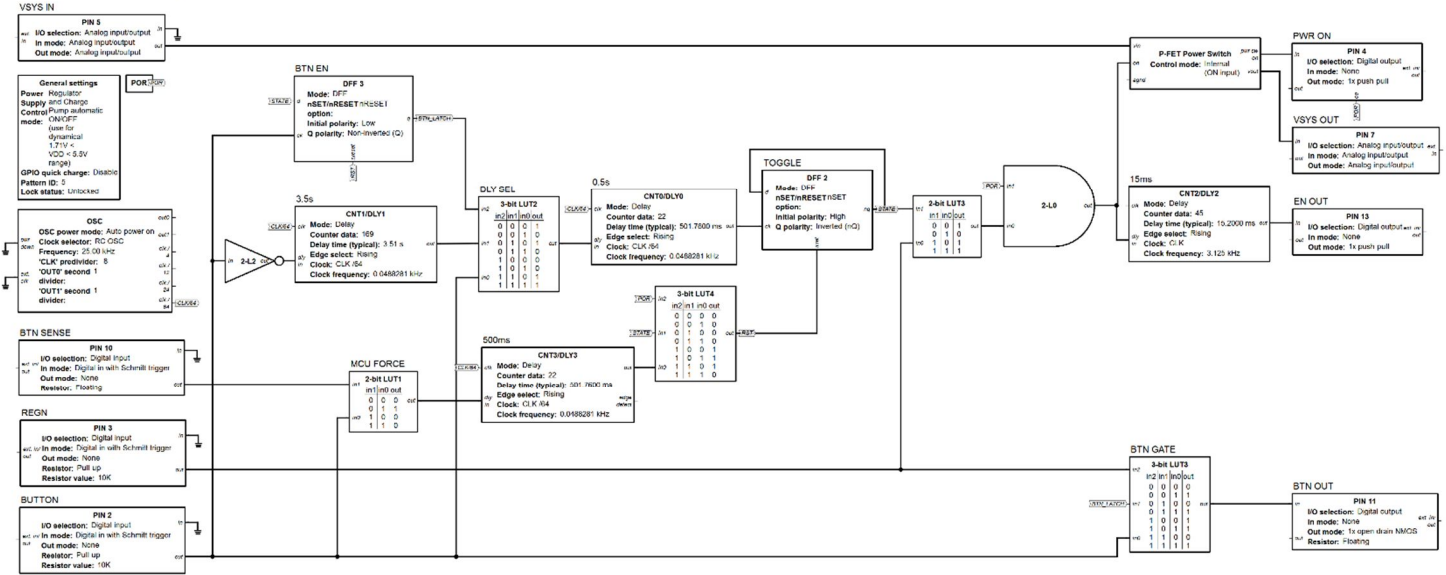
Output Summary

- 2 Outputs — Push Pull 1X
- 1 Output — Open Drain NMOS 1X

Pin Configuration

	VDD	EN OUT	NC	
NC	14 1	13	12 11	BTN OUT
BUTTON	2		10	BTN SENSE
REGN	3		9	AGND
PWR ON	4 5		8 7	GND
	VSYS IN	NC	VSYS OUT	STQFN-14 TOP VIEW

Block Diagram



Pin Configuration

Pin #	Pin Name	Type	Pin Description
1	NC	--	Keep Floating or Connect to GND
2	BUTTON	Digital Input	Digital Input with Schmitt trigger
3	REGN	Digital Input	Digital Input with Schmitt trigger
4	PWR ON	Digital Output	Push Pull 1X
5	VSYS IN	P-FET Power Switch Input	P-FET Power Switch Input
6	NC	--	Keep Floating or Connect to GND
7	VSYS OUT	P-FET Power Switch Output	P-FET Power Switch Output
8	GND	GND	Ground
9	AGND	AGND	Ground
10	BTN SENSE	Digital Input	Digital Input with Schmitt trigger
11	BTN OUT	Digital Output	Open Drain NMOS 1X
12	NC	--	Keep Floating or Connect to GND
13	EN OUT	Digital Output	Push Pull 1X
14	VDD	PWR	Supply Voltage

Ordering Information

Part Number	Package Type
SLG4B41337V	V=STQFN-14L
SLG4B41337VTR	STQFN-14L – Tape and Reel (3k units)

Absolute Maximum Conditions

Parameter	Condition	Min.	Max.	Unit
V_{HIGH} to GND		-0.3	7	V
Voltage at input pins		-0.3	7	V
Current at input pin		-1.0	1.0	mA
Storage temperature range		-65	125	°C
Junction temperature		--	150	°C
ESD Protection (Human Body Model)		2000	--	V
ESD Protection (Charged Device Model)		1000	--	V
Moisture Sensitivity Level		1		
P-FET Power Switch IDS_{PK}	For no more than 1 ms with 1% duty cycle	--	1.5	A

Electrical Characteristics

(@ 25°C, unless otherwise stated)

Symbol	Parameter	Condition/Note	Min.	Typ.	Max.	Unit
V_{DD}	Supply Voltage		2.3	3.3	4.35	V
T_A	Operating Temperature		-40	25	85	°C
I_Q	Quiescent Current	Static inputs and outputs	--	1	--	µA
V_O	Maximal Voltage Applied to any PIN in High-Impedance State		--	--	VDD	V
I_O	Maximal Average or DC Current (note 1)	Per Each Chip Side	--	--	90	mA
V_{IH}	HIGH-Level Input Voltage	Logic Input with Schmitt Trigger, at VDD=3.3V	2.13	--	VDD	V
V_{IL}	LOW-Level Input Voltage	Logic Input with Schmitt Trigger, at VDD=3.3V	--	--	0.95	V
I_{IH}	HIGH-Level Input Current	Logic Input PINs; $V_{IN} = V_{DD}$	-1.0	--	1.0	µA
I_{IL}	LOW-Level Input Current	Logic Input PINs; $V_{IN} = 0V$	-1.0	--	1.0	µA
V_{OH}	HIGH-Level Output Voltage (note 1)	Push Pull & PMOS OD, $I_{OH} = 3mA$, 1X Driver, at VDD=3.3 V	2.71	3.09	--	V
V_{OL}	LOW-Level Output Voltage (note 1)	Push Pull, $I_{OL} = 3mA$, 1X Driver, at VDD=3.3 V	--	0.15	0.28	V
		Open Drain, $I_{OL} = 3mA$, 1X Driver, at VDD=3.3 V	--	0.080	0.147	
I_{OH}	HIGH-Level Output Current (note 1)	Push Pull & PMOS OD, $V_{OH} = 2.4 V$, 1X Driver, at VDD=3.3 V	6.01	12.07	--	mA
I_{OL}	LOW-Level Output Current (note 1)	Push Pull, $V_{OL} = 0.4V$, 1X Driver, at VDD=3.3 V	4.06	6.92	--	mA
		Open Drain, $V_{OL} = 0.4V$, 1X Driver, at VDD=3.3 V	7.313	12.37	--	
R_{PULL_UP}	Internal Pull Up Resistance	Pull up on PINs 2, 3	7	10	13	kΩ
T_{DLY0}	Delay0 Time	At temperature 25°C	456.75	501.76	534.79	ms
		At temperature -40°C +85°C (note 1)	412.66	501.76	633.16	
T_{DLY1}	Delay1 Time	At temperature 25°C	3.24	3.51	3.69	s
		At temperature -40°C +85°C (note 1)	2.93	3.51	4.37	



Battery Saver

T _{DLY2}	Delay2 Time	At temperature 25°C	13.97	15.2	16.05	ms
		At temperature -40°C +85°C (note 1)	12.62	15.2	19	
T _{DLY3}	Delay3 Time	At temperature 25°C	456.75	501.76	534.79	ms
		At temperature -40°C +85°C (note 1)	412.66	501.76	633.16	
V _{IN}	Power Switch Input Voltage	-40 °C to 85 °C	1.5	--	5.0	V
I _{IN}	Power Switch Current (PIN 5)	when Off, V _{IN} = 5.0 V	--	0.02	0.1	μA
		when PWR_SW_ON = V _{IN} , No load	--	0.02	0.1	
I _{DS_LKG}	Leakage Measured from PIN 5 to PIN 7	when Off, V _{IN} = 5.0 V	--	0.05	1	μA
I _{ON_LKG}	PWR_SW_ON Pin Input Leakage		--	--	0.1	μA
R _{DS(ON)}	Static Drain to Source ON Resistance @ T _A 25°C	@ V _{IN} = 5.5 V	--	28.5	32.0	mΩ
		@ V _{IN} = 3.3 V	--	36.4	40.0	
		@ V _{IN} = 2.5 V	--	44.3	49.0	
		@ V _{IN} = 1.8 V	--	60.8	65.0	
		@ V _{IN} = 1.5 V	--	77.6	82.0	
R _{DS(ON)}	Static Drain to Source ON Resistance @ T _A 85°C	@ V _{IN} = 5.5 V	--	34.0	36.0	mΩ
		@ V _{IN} = 3.3 V	--	43.8	46.0	
		@ V _{IN} = 2.5 V	--	53.3	56.0	
		@ V _{IN} = 1.8 V	--	72.2	76.0	
		@ V _{IN} = 1.5 V	--	90.7	94.0	
I _{DS}	Operating Current	V _{IN} = 1.5 V to 5.0 V	--	--	1.0	A
T _{On_Delay}	PWR_SW_ON pin Delay Time	50% PWR_SW_ON to Ramp Begin, V _{IN} = 5 V, V _{OUT_Cap} = 0.1 μF, R _L = 10 Ω	12.0	15.0	18.5	μs
		50% PWR_SW_ON to Ramp Begin, V _{IN} = 3.3 V, V _{OUT_Cap} = 0.1 μF, R _L = 10 Ω	17.0	22.0	30.0	
		50% PWR_SW_ON to Ramp Begin, V _{IN} = 1.5 V, V _{OUT_Cap} = 0.1 μF, R _L = 10 Ω	44.0	55.0	76.0	
T _{Total_On}	Total Turn On Time	50% PWR_SW_ON to 90% V _{OUT} , V _{IN} = 5 V, V _{OUT_Cap} = 0.1 μF, R _L = 10 Ω	114	122	134	μs
		50% PWR_SW_ON to 90% V _{OUT} , V _{IN} = 3.3 V, V _{OUT_Cap} = 0.1 μF, R _L = 10 Ω	146	156	176	
		50% PWR_SW_ON to 90% V _{OUT} , V _{IN} = 1.5 V, V _{OUT_Cap} = 0.1 μF, R _L = 10 Ω	292	332	399	
T _{RISE}	Rise Time	10% V _{OUT} to 90% V _{OUT} , V _{IN} = 5 V, V _{OUT_Cap} = 0.1 μF, R _L = 10 Ω	92	97	107	μs
		10% V _{OUT} to 90% V _{OUT} , V _{IN} = 3.3 V, V _{OUT_Cap} = 0.1 μF, R _L = 10 Ω	116	120	131	
		10% V _{OUT} to 90% V _{OUT} , V _{IN} = 1.5 V, V _{OUT_Cap} = 0.1 μF, R _L = 10 Ω	228	253	296	
PWR_SW_ON_V _{IH}	Initial Turn On Voltage		0.85	--	V _{IN} or V _{DD}	V



Battery Saver

PWR_SW_ON V _{IL}	Low Input Voltage on PWR_SW_ON pin		-0.3	0	0.3	V
T _{Delay_Off}	Off Delay Time	50% PWR_SW_ON to VOUT Fall, V _{IN} = 5 V, R _L = 10 Ω	6.2	6.5	7.0	μs
T _{SU}	Start up Time	From VDD rising past 1.35V	--	0.27	--	ms
PON _{THR}	Power On Threshold	VDD Level Required to Start Up the Chip	1.182	1.346	1.505	V
POFF _{THR}	Power Off Threshold	VDD Level Required to Switch Off the Chip	0.752	0.918	1.110	V

1. Guaranteed by Design.

Functionality Waveforms

Channel 1 (yellow/top line) – PIN#5 (VSYS IN)

D0 – PIN#2 (BUTTON)

D1 – PIN#3 (REGN)

D2 – PIN#10 (BTN SENSE)

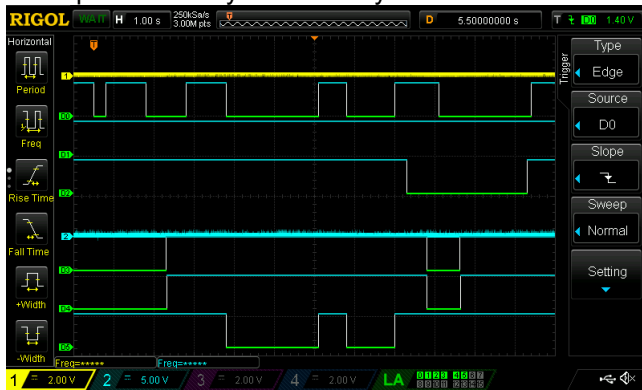
Channel 2 (light blue) – PIN#7 (VSYS OUT) with external 5kΩ pull down resistor

D3 – PIN#4 (PWR ON)

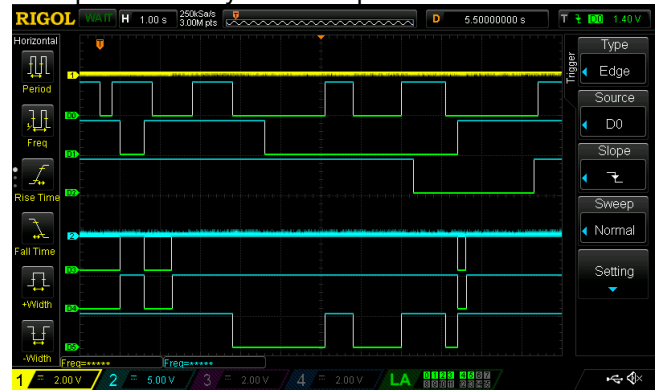
D4 – PIN#13 (EN OUT)

D5 – PIN#11 (BTN OUT) with external 5kΩ pull up resistor

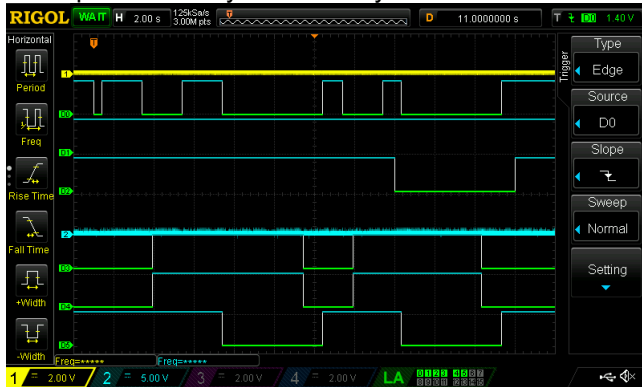
1. Chip functionality: REGN only in HIGH



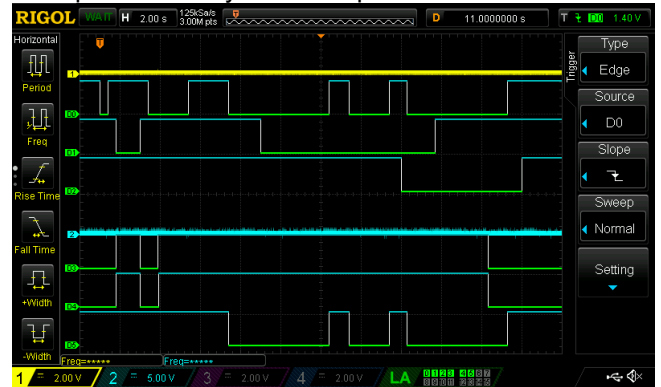
2. Chip functionality: normal operation



3. Chip functionality: REGN only in HIGH



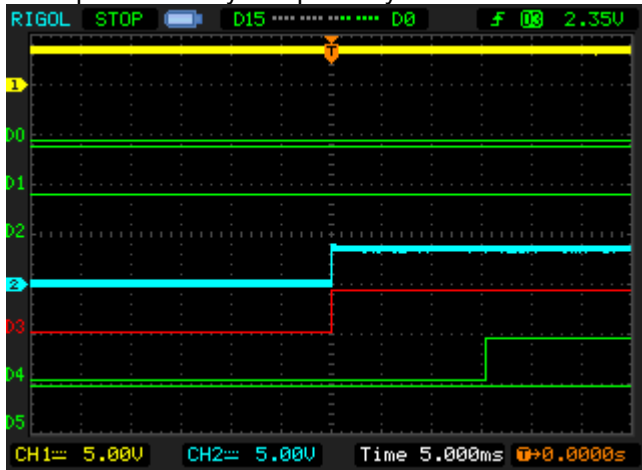
4. Chip functionality: normal operation





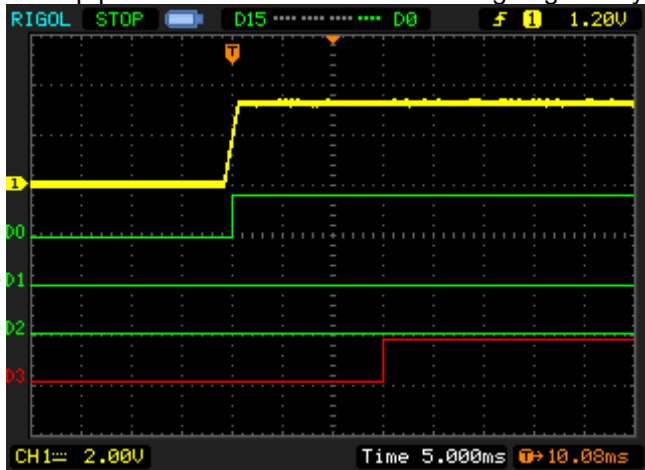
Channel 1 (yellow/top line) – PIN#5 (VSYS IN)
 D0 – PIN#2 (BUTTON)
 D1 – PIN#3 (REGN)
 D2 – PIN#10 (BTN SENSE)
 Channel 2 (light blue) – PIN#7 (VSYS OUT) with external 5kΩ pull down resistor
 D3 – PIN#4 (PWR ON)
 D4 – PIN#13 (EN OUT)
 D5 – PIN#11 (BTN OUT) with external 5kΩ pull up resistor

5. Chip functionality: shape delay time for EN OUT

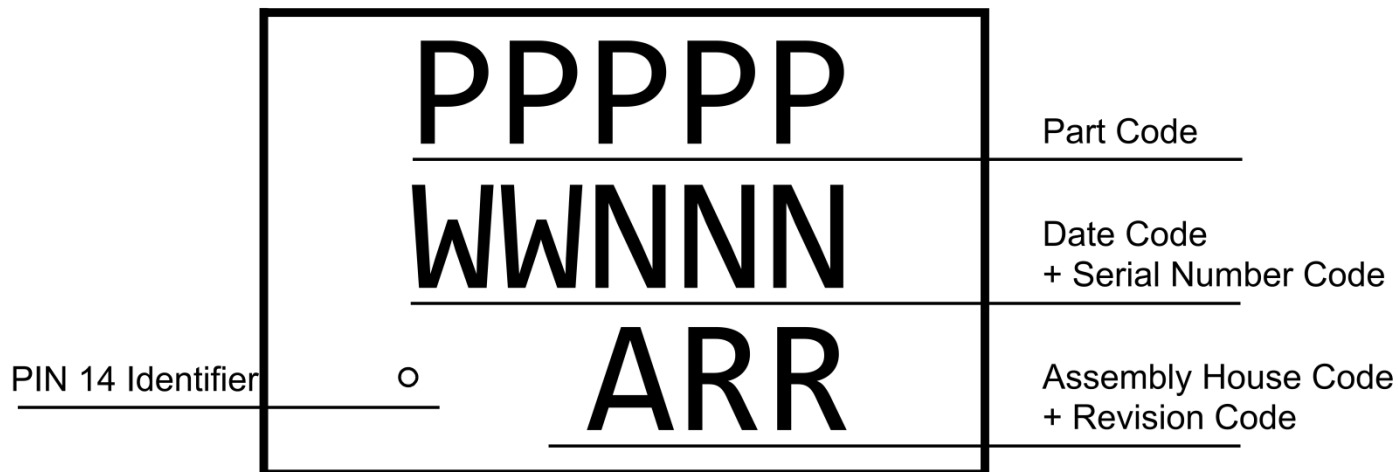


Channel 1 (yellow/top line) – PIN#14 (VDD)
 D0 – POR
 D1 – DFF2 Output
 D2 – PIN#3 (REGN)
 D3 – PIN#13 (EN OUT)

6. Chip powers on: EN OUT is 15ms rising edge delayed



Package Top Marking

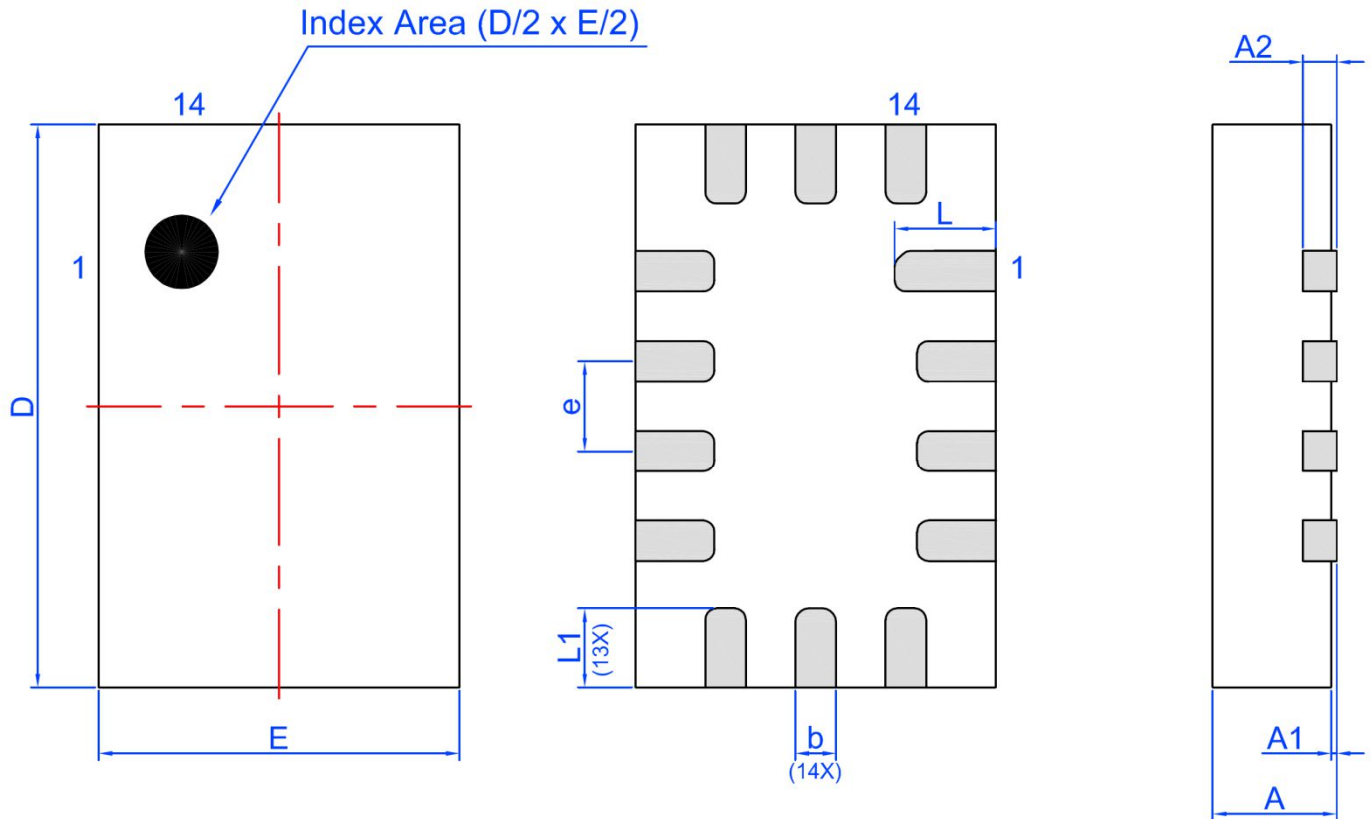


Datasheet Revision	Programming Code Number	Locked Status	Part Code	Revision	Date
1.01	005	L	41337	AB	02/25/2022

The IC security bit is locked/set for code security for production unless otherwise specified. Revision number is not changed for bit locking.

Package Drawing and Dimensions

14 Lead STQFN Package 1.6 x 2.5 mm
JEDEC MO-252



Unit: mm

Symbol	Min	Nom.	Max	Symbol	Min	Nom.	Max
A	0.50	0.55	0.60	D	2.45	2.50	2.55
A1	0.005	-	0.050	E	1.55	1.60	1.65
A2	0.10	0.15	0.20	L	0.40	0.45	0.50
b	0.13	0.18	0.23	L1	0.30	0.35	0.40
e	0.40 BSC						

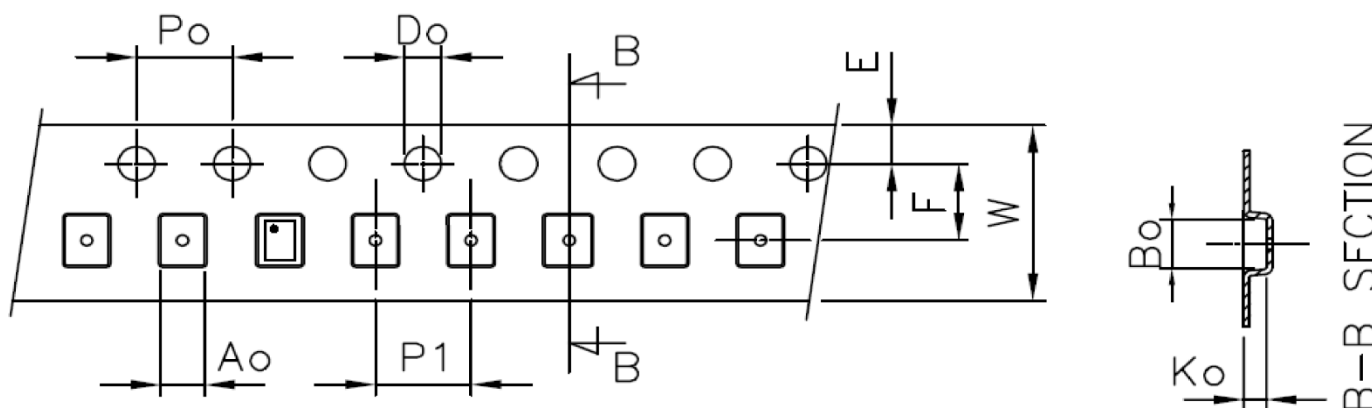
Tape and Reel Specification

Package Type	# of Pins	Nominal Package Size (mm)	Max Units		Reel & Hub Size (mm)	Trailer A		Leader B		Pocket (mm)	
			per reel	per box		Pockets	Length (mm)	Pockets	Length (mm)	Width	Pitch
STQFN 14L 1.6x2.5 mm FC 0.4P Green	14	1.6x2.5x0.55	3000	3000	178/60	100	400	100	400	8	4

Carrier Tape Drawing and Dimensions

Package Type	Pocket BTM Length (mm)	Pocket BTM Width (mm)	Pocket Depth (mm)	Index Hole Pitch (mm)	Pocket Pitch (mm)	Index Hole Diameter (mm)	Index Hole to Tape Edge (mm)	Index Hole to Pocket Center (mm)	Tape Width (mm)
	A0	B0	K0	P0	P1	D0	E	F	W
STQFN 14L 1.6x2.5 mm FC 0.4P Green	1.8	2.8	0.7	4	4	1.55	1.75	3.5	8

Refer to EIA-481 Specifications



Recommended Reflow Soldering Profile

Please see IPC/JEDEC J-STD-020: latest revision for reflow profile based on package volume of 2.2 mm³ (nominal). More information can be found at www.jedec.org.

Datasheet Revision History

Date	Version	Change
07/12/2016	0.10	New design for SLG46116 chip
07/21/2016	0.11	Updated design operation and Functionality Waveforms
07/25/2016	0.12	Updated the time in DLY1 from 1.5 seconds to 3.5 seconds and Functionality Waveforms
07/25/2016	0.13	Updated Device Revision Table
08/10/2016	0.14	Updated design operation and added Functionality Waveform
08/11/2016	0.15	Updated Electrical Characteristics Table
08/16/2016	0.16	Updated block diagram, retook Waveforms 1 through 4
08/16/2016	0.17	Updated Device Revision Table
10/17/2016	0.18	Updated Lock Status
10/20/2016	1.00	Production Release
02/25/2022	1.01	Updated Company name and logo

IMPORTANT NOTICE AND DISCLAIMER

RENESAS ELECTRONICS CORPORATION AND ITS SUBSIDIARIES (“RENESAS”) PROVIDES TECHNICAL SPECIFICATIONS AND RELIABILITY DATA (INCLUDING DATASHEETS), DESIGN RESOURCES (INCLUDING REFERENCE DESIGNS), APPLICATION OR OTHER DESIGN ADVICE, WEB TOOLS, SAFETY INFORMATION, AND OTHER RESOURCES “AS IS” AND WITH ALL FAULTS, AND DISCLAIMS ALL WARRANTIES, EXPRESS OR IMPLIED, INCLUDING, WITHOUT LIMITATION, ANY IMPLIED WARRANTIES OF MERCHANTABILITY, FITNESS FOR A PARTICULAR PURPOSE, OR NON-INFRINGEMENT OF THIRD-PARTY INTELLECTUAL PROPERTY RIGHTS.

These resources are intended for developers who are designing with Renesas products. You are solely responsible for (1) selecting the appropriate products for your application, (2) designing, validating, and testing your application, and (3) ensuring your application meets applicable standards, and any other safety, security, or other requirements. These resources are subject to change without notice. Renesas grants you permission to use these resources only to develop an application that uses Renesas products. Other reproduction or use of these resources is strictly prohibited. No license is granted to any other Renesas intellectual property or to any third-party intellectual property. Renesas disclaims responsibility for, and you will fully indemnify Renesas and its representatives against, any claims, damages, costs, losses, or liabilities arising from your use of these resources. Renesas' products are provided only subject to Renesas' Terms and Conditions of Sale or other applicable terms agreed to in writing. No use of any Renesas resources expands or otherwise alters any applicable warranties or warranty disclaimers for these products.

(Disclaimer Rev.1.01 Jan 2024)

Corporate Headquarters

TOYOSU FORESIA, 3-2-24 Toyosu,
Koto-ku, Tokyo 135-0061, Japan
www.renesas.com

Trademarks

Renesas and the Renesas logo are trademarks of Renesas Electronics Corporation. All trademarks and registered trademarks are the property of their respective owners.

Contact Information

For further information on a product, technology, the most up-to-date version of a document, or your nearest sales office, please visit www.renesas.com/contact-us/.