

SLG59H1013V

A 13.3 mΩ, 3.5 A, 125 °C-Rated, Load Switch with 12 V / 24 V V_{IN} Lockout Select and MOSFET Current Monitor Output

General Description

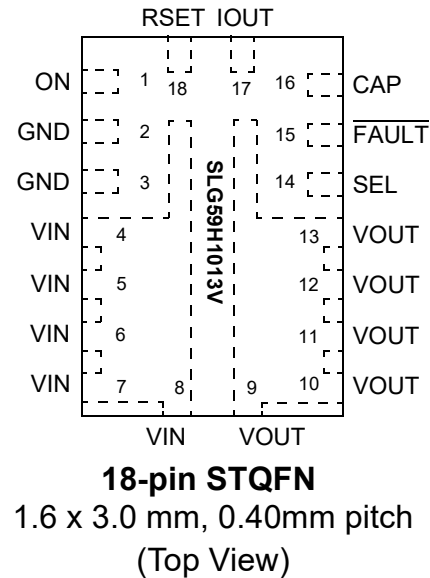
The SLG59H1013V is a high-performance 13.3 mΩ NMOS load switch designed to control 12 V or 24 V power rails up to 3.5 A. Using a proprietary MOSFET design, the SLG59H1013V achieves a stable 13.3 mΩ RDS_{ON} across a wide input voltage range. In combining novel FET design and copper pillar interconnects, the SLG59H1013V package also exhibits a low thermal resistance for high-current operation.

Designed to operate over a -40 °C to 125 °C range, the SLG59H1013V is available in a low thermal resistance, RoHS-compliant, 1.6 x 3.0 mm STQFN package.

Features

- Wide Operating Input Voltage: 12 V or 24 V
- Maximum Continuous Current: 3.5 A
- Automatic nFET SOA Protection
 - 5 W SOA Protection Threshold
- High-performance MOSFET Switch
 - Low RDS_{ON}: 13.3 mΩ at V_{IN} = 24 V
 - Low ΔRDS_{ON}/ΔV_{IN}: < 0.05 mΩ/V
 - Low ΔRDS_{ON}/ΔT: < 0.06 mΩ/°C
- Pin-selectable 12V/24V Input Overvoltage and Undervoltage Lockout
- Capacitor-adjustable Inrush Current Control
- Two stage Current Limit Protection:
 - Resistor-adjustable Active Current Limit
 - Internal Short-circuit Current limit
- Open Drain FAULT Signaling
- MOSFET Current Analog Output Monitor: 10 μA/A
- Fast 4 kΩ Output Discharge
 - Pb-Free / Halogen-Free / RoHS Compliant Packaging

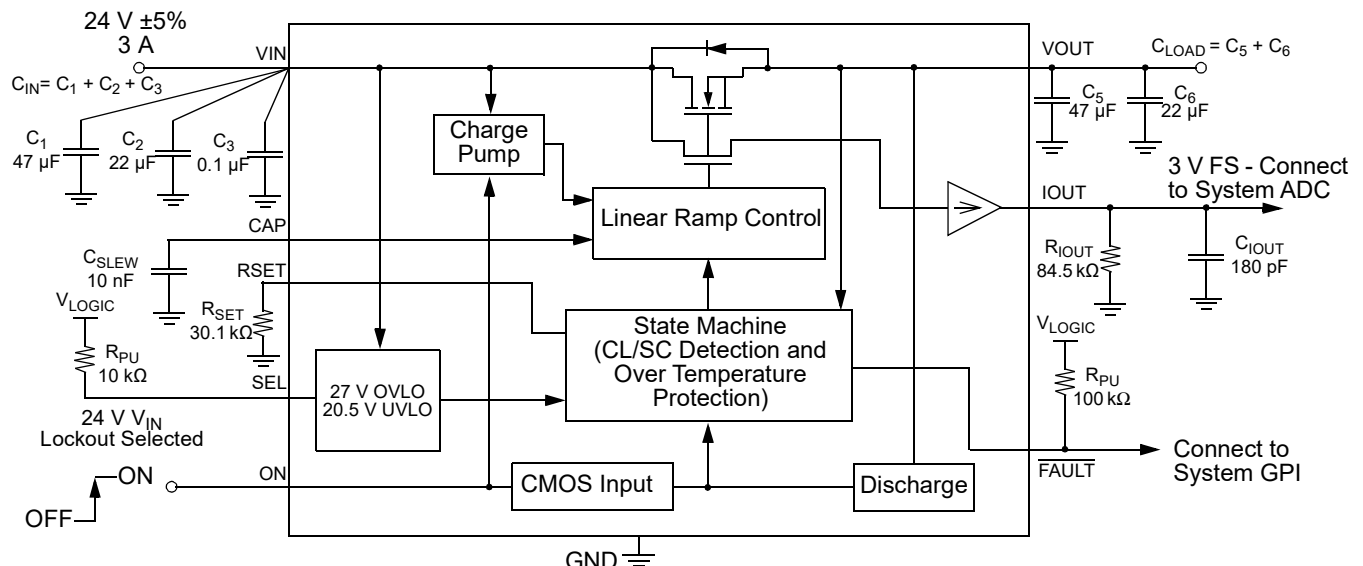
Pin Configuration



Applications

- Power-Rail Switching
- Multifunction Printers
- Large-format Copiers
- Telecommunications Equipment
- High-performance Computing
- 12 V and 24 V Point-of-Load Power Distribution
- Motor Drives

Block Diagram and 3 A Typical Application Circuit



SLG59H1013V

A 13.3 mΩ, 3.5 A, 125 °C-Rated, Load Switch
with 12 V / 24 V V_{IN} Lockout Select and MOSFET Current Monitor Output

Pin Description

Pin #	Pin Name	Type	Pin Description
1	ON	Input	A low-to-high transition on this pin initiates the operation of the SLG59H1013V's state machine. ON is an asserted HIGH, level-sensitive CMOS input with $ON_{V_{IL}} < 0.3 V$ and $ON_{V_{IH}} > 0.9 V$. As the ON pin input circuit does not have an internal pull-down resistor, connect this pin to a general-purpose output (GPO) of a microcontroller, an application processor, or a system controller, do not allow this pin to be open-circuited.
2	GND	GND	Pin 2 is a low-current GND terminal for the SLG59H1013V. Connect directly to Pin 3.
3	GND	GND	Pin 3 is the main ground connection for the SLG59H1013V's internal charge pump, its gate driver and current-limit circuits as well as its internal state machine. Therefore, use a short, stout connection from Pin 3 to the system's analog or power plane.
4-8	VIN	MOSFET	VIN supplies the power for the operation of the SLG59H1013V, its internal control circuitry, and the drain terminal of the nFET load switch. With 5 pins fused together at VIN, connect a 47 μF (or larger) low-ESR capacitor from this pin to ground. Capacitors used at VIN should be rated at 50 V or higher.
9-13	VOUT	MOSFET	Source terminal of n-channel MOSFET (5 pins fused for VOUT). Connect a 47 μF (or larger) low-ESR capacitor from this pin to ground. Capacitors used at VOUT should be rated at 50 V or higher.
14	SEL	Input	As a low logic-level CMOS input with $SEL_{V_{IL}} < 0.3 V$ and $SEL_{V_{IH}} > 1.65 V$, SEL selects one of two undervoltage/overvoltage lockout windows. When SEL = LOW, the V_{IN} undervoltage/overvoltage lockout window is set for 12 V ±10% applications. When SEL = HIGH, the V_{IN} undervoltage/overvoltage lockout window is set for 24 V ± 5% applications. See the Electrical Characteristics table for additional information.
15	\overline{FAULT}	Output	An open drain output, \overline{FAULT} is asserted within $T_{\overline{FAULT}_{LOW}}$ when a V_{IN} undervoltage, V_{IN} overvoltage, a current-limit, or an over-temperature condition is detected. \overline{FAULT} is deasserted within $T_{\overline{FAULT}_{HIGH}}$ when the fault condition is removed. Connect an 100 kΩ external resistor from the \overline{FAULT} pin to local system logic supply.
16	CAP	Output	A low-ESR, stable dielectric, ceramic surface-mount capacitor connected from CAP pin to GND sets the V_{OUT} slew rate and overall turn-on time of the SLG59H1013V. For best performance, the range for C_{SLEW} values are $10 nF \leq C_{SLEW} \leq 20 nF$ – please see typical characteristics for additional information. Capacitors used at the CAP pin should be rated at 10 V or higher. Please consult Applications Section on how to select C_{SLEW} based on V_{OUT} slew rate and loading conditions.
17	IOUT	Output	IOUT is the SLG59H1013V's power MOSFET load current monitor output. As an analog current output, this signal when applied to a ground-reference resistor generates a voltage proportional to the current through the n-channel MOSFET. The I_{OUT} transfer characteristic is typically 10 μA/A with a voltage compliance range of $0.5 V \leq V_{IOUT} \leq 4 V$. Optimal I_{OUT} linearity is exhibited for $0.5 A \leq I_{DS} \leq 3.5 A$. In addition, it is recommended to bypass the IOUT pin to GND with a 0.18 nF capacitor.
18	RSET	Input	A 1%-tolerance, metal-film resistor between 23.7 kΩ and 91 kΩ sets the SLG59H1013V's active current limit. A 91 kΩ resistor sets the SLG59H1013V's active current limit to 1 A and a 23.7 kΩ resistor sets the active current limit to 4 A.

Ordering Information

Part Number	Type	Production Flow
SLG59H1013V	STQFN 18L FC	Industrial, -40 °C to 125 °C
SLG59H1013VTR	STQFN 18L FC (Tape and Reel)	Industrial, -40 °C to 125 °C

SLG59H1013V

A 13.3 mΩ, 3.5 A, 125 °C-Rated, Load Switch
with 12 V / 24 V V_{IN} Lockout Select and MOSFET Current Monitor Output

Absolute Maximum Ratings

Parameter	Description	Conditions	Min.	Typ.	Max.	Unit
V_{IN} to GND	Load Switch Input Voltage to GND	Continuous	-0.3	--	30	V
		Maximum pulsed V_{IN} , pulse width < 0.1 s	--	--	32	V
V_{OUT} to GND	Load Switch Output Voltage to GND		-0.3	--	V_{IN}	V
ON, SEL, CAP, RSET, IOUT, and FAULT to GND	ON, SEL, CAP, RSET, IOUT, and FAULT Pin Voltages to GND		-0.3	--	7	V
T_S	Storage Temperature		-65	--	150	°C
ESD _{HBM}	ESD Protection	Human Body Model	2000	--	--	V
ESD _{CDM}	ESD Protection	Charged Device Model	500	--	--	V
MSL	Moisture Sensitivity Level		1			
θ_{JA}	Thermal Resistance	1.6 x 3.0 mm 18L STQFN; Determined with the device mounted onto a 1 in ² , 1 oz. copper pad of FR-4 material	--	40	--	°C/W
MOSFET IDS _{CONT}	Continuous Current from VIN to VOUT	$T_J < 150$ °C	--	--	3.5	A
MOSFET IDS _{PEAK}	Peak Current from VIN to VOUT	Maximum pulsed switch current, pulse width < 1 ms	--	--	6	A

Note: Stresses greater than those listed under "Absolute Maximum Ratings" may cause permanent damage to the device. This is a stress rating only and functional operation of the device at these or any other conditions above those indicated in the operational sections of this specification is not implied. Exposure to absolute maximum rating conditions for extended periods may affect reliability.

Electrical Characteristics

12 V ≤ V_{IN} ≤ 24 V; C_{IN} = 47 μF; T_A = -40 °C to 125 °C, unless otherwise noted. Typical values are at T_A = 25 °C

Parameter	Description	Conditions	Min.	Typ.	Max.	Unit
V_{IN}	Operating Input Voltage		10.8	--	25.2	V
$V_{IN(OVLO)}$	V_{IN} Overvoltage Lockout Threshold	$V_{IN} \uparrow$; SEL = HIGH	25.3	27	28.5	V
		$V_{IN} \uparrow$; SEL = LOW	13.3	13.7	14.5	V
$V_{IN(UVLO)}$	V_{IN} Undervoltage Lockout Threshold	$V_{IN} \downarrow$; SEL = HIGH	19.5	20.5	21.5	V
		$V_{IN} \downarrow$; SEL = LOW	9.7	10.2	10.7	V
I_Q	Quiescent Supply Current	ON = HIGH; $I_{DS} = 0$ A	--	0.5	0.65	mA
I_{SHDN}	OFF Mode Supply Current	ON = LOW; $I_{DS} = 0$ A	--	1	15	μA
RDS _{ON}	ON Resistance	$T_A = 25$ °C; $I_{DS} = 0.1$ A	--	13.3	14.5	mΩ
		$T_A = 85$ °C; $I_{DS} = 0.1$ A	--	17	18.5	mΩ
		$T_A = 125$ °C; $I_{DS} = 0.1$ A	--	20	21.5	mΩ
MOSFET IDS	Current from VIN to VOUT	Continuous	--	--	3.5	A
I_{LIMIT}	Active Current Limit, I_{ACL}	$V_{OUT} > 0.5$ V; $R_{SET} = 30.1$ kΩ	2.7	3.19	3.5	A
	Short-circuit Current Limit, I_{SCL}	$V_{OUT} < 0.5$ V	--	0.5	-	A
T_{ACL}	Active Current Limit Response Time	$R_{SET} = 51.6$ kΩ	--	120	--	μs
$R_{DISCHRG}$	Output Discharge Resistance		3.5	4.4	5.3	kΩ

SLG59H1013V

A 13.3 mΩ, 3.5 A, 125 °C-Rated, Load Switch with 12 V / 24 V V_{IN} Lockout Select and MOSFET Current Monitor Output

Electrical Characteristics (continued)

12 V ≤ V_{IN} ≤ 24 V; C_{IN} = 47 μF, T_A = -40 °C to 125 °C, unless otherwise noted. Typical values are at T_A = 25 °C

Parameter	Description	Conditions	Min.	Typ.	Max.	Unit
I_{OUT}	MOSFET Current Analog Monitor Output	I_{DS} = 1 A	9	10	11	μA
		I_{DS} = 3 A	27	30	33	μA
T_{IOUT}	I_{OUT} Response Time to Change in Main MOSFET Current	C_{IOUT} = 180 pF; Step load 0 to 2.4 A; 0% to 90% I_{OUT}	--	45	--	μs
C_{LOAD}	Output Load Capacitance	C_{LOAD} connected from V_{OUT} to GND	--	47	--	μF
T_{ON_Delay}	ON Delay Time	50% ON to 10% V_{OUT} ↑; V_{IN} = 12 V; C_{SLEW} = 10 nF; R_{LOAD} = 100 Ω, C_{LOAD} = 10 μF	480	600	720	μs
		50% ON to 10% V_{OUT} ↑; V_{IN} = 24 V; C_{SLEW} = 10 nF; R_{LOAD} = 100 Ω, C_{LOAD} = 10 μF	0.76	0.95	1.2	ms
T_{Total_ON}	Total Turn ON Time	50% ON to 90% V_{OUT} ↑	Set by External C_{SLEW} ¹			ms
		50% ON to 90% V_{OUT} ↑; V_{IN} = 12 V; C_{SLEW} = 10 nF; R_{LOAD} = 100 Ω, C_{LOAD} = 10 μF	2.9	3.6	4.3	ms
		50% ON to 90% V_{OUT} ↑; V_{IN} = 24 V; C_{SLEW} = 10 nF; R_{LOAD} = 100 Ω, C_{LOAD} = 10 μF	5.7	7.1	8.5	ms
$V_{OUT(SR)}$	V_{OUT} Slew rate	10% V_{OUT} to 90% V_{OUT} ↑	Set by External C_{SLEW} ¹			V/ms
		10% V_{OUT} to 90% V_{OUT} ↑; V_{IN} = 12 V or 24 V; C_{SLEW} = 10 nF; R_{LOAD} = 100 Ω, C_{LOAD} = 10 μF	2.6	3.2	3.9	V/ms
T_{OFF_Delay}	OFF Delay Time	50% ON to V_{OUT} Fall Start ↓; V_{IN} = 12 V or 24 V; R_{LOAD} = 100 Ω, No C_{LOAD}	--	15	--	μs
T_{FALL}	V_{OUT} Fall Time	90% V_{OUT} to 10% V_{OUT} ; ON = HIGH-to-LOW; V_{IN} = 12 V or 24 V; R_{LOAD} = 100 Ω, No C_{LOAD}	9	13.5	18	μs
T_{FAULT_LOW}	\overline{FAULT} Assertion Time	Abnormal Step Load Current event to \overline{FAULT} ↓; I_{ACL} = 1 A; V_{IN} = 24 V; R_{SET} = 91 kΩ; switch in 20 Ω load	--	80	--	μs
T_{FAULT_HIGH}	\overline{FAULT} De-assertion Time	Delay to \overline{FAULT} ↑ after fault condition is removed; I_{ACL} = 1 A; V_{IN} = 24 V; R_{SET} = 91 kΩ; switch out 20 Ω load	--	180	--	μs
\overline{FAULT}_{VOL}	\overline{FAULT} Output Low Voltage	I_{FAULT} = 1 mA	--	0.2	--	V
ON_ V_{IH}	ON Pin Input High Voltage		0.9	--	5	V
ON_ V_{IL}	ON Pin Input Low Voltage		-0.3	0	0.3	V
SEL_ V_{IH}	SEL pin Input High Voltage		1.65	--	4.5	V
SEL_ V_{IL}	SEL pin Input Low Voltage		-0.3	--	0.3	V
$I_{ON(Leakage)}$	ON Pin Leakage Current	1 V ≤ ON ≤ 5 V or ON = GND	--	--	1	μA
THERM _{ON}	Thermal Protection Shutdown Threshold		--	150	--	°C
THERM _{OFF}	Thermal Protection Restart Threshold		--	125	--	°C

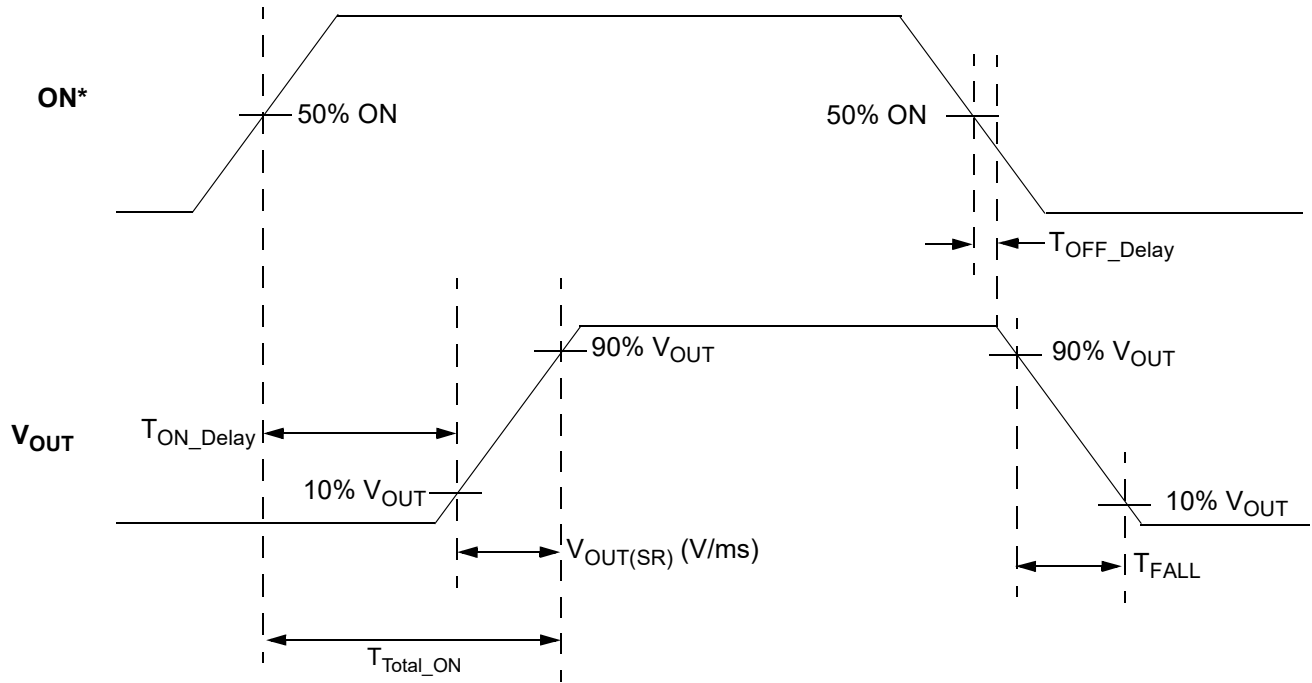
Notes:

1. Refer to typical Timing Parameter vs. C_{SLEW} performance charts for additional information.

SLG59H1013V

A 13.3 mΩ, 3.5 A, 125 °C-Rated, Load Switch
with 12 V / 24 V V_{IN} Lockout Select and MOSFET Current Monitor Output

T_{Total_ON} , T_{ON_Delay} and Slew Rate Measurement



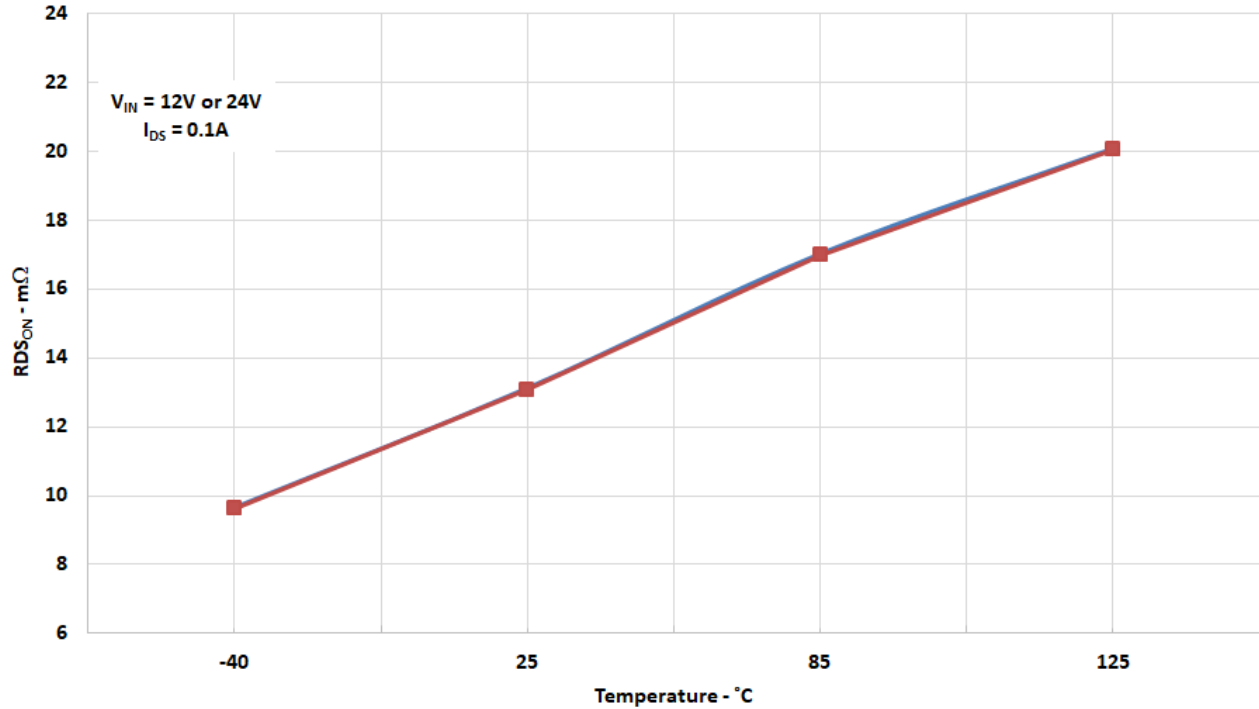
*Rise and Fall Times of the ON Signal are 100 ns

SLG59H1013V

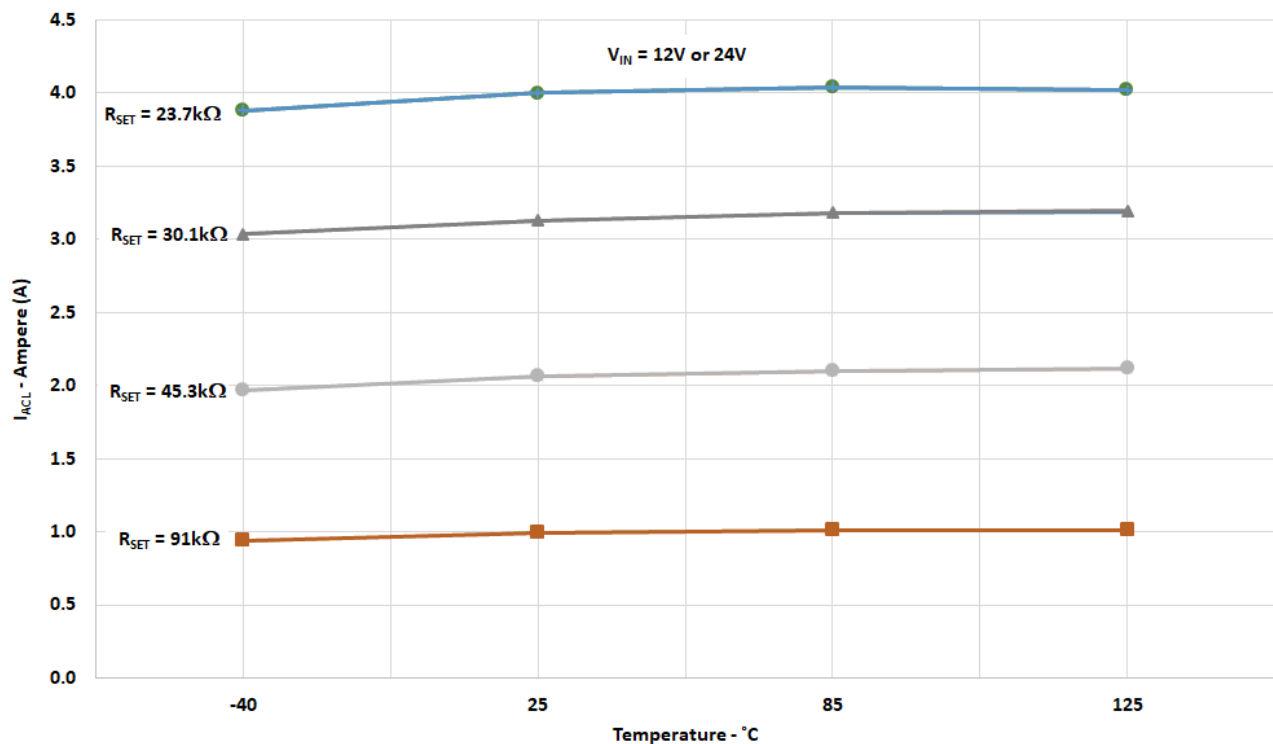
A 13.3 mΩ, 3.5 A, 125 °C-Rated, Load Switch
with 12 V / 24 V V_{IN} Lockout Select and MOSFET Current Monitor Output

Typical Performance Characteristics

$R_{DS(ON)}$ vs. Temperature and V_{IN}



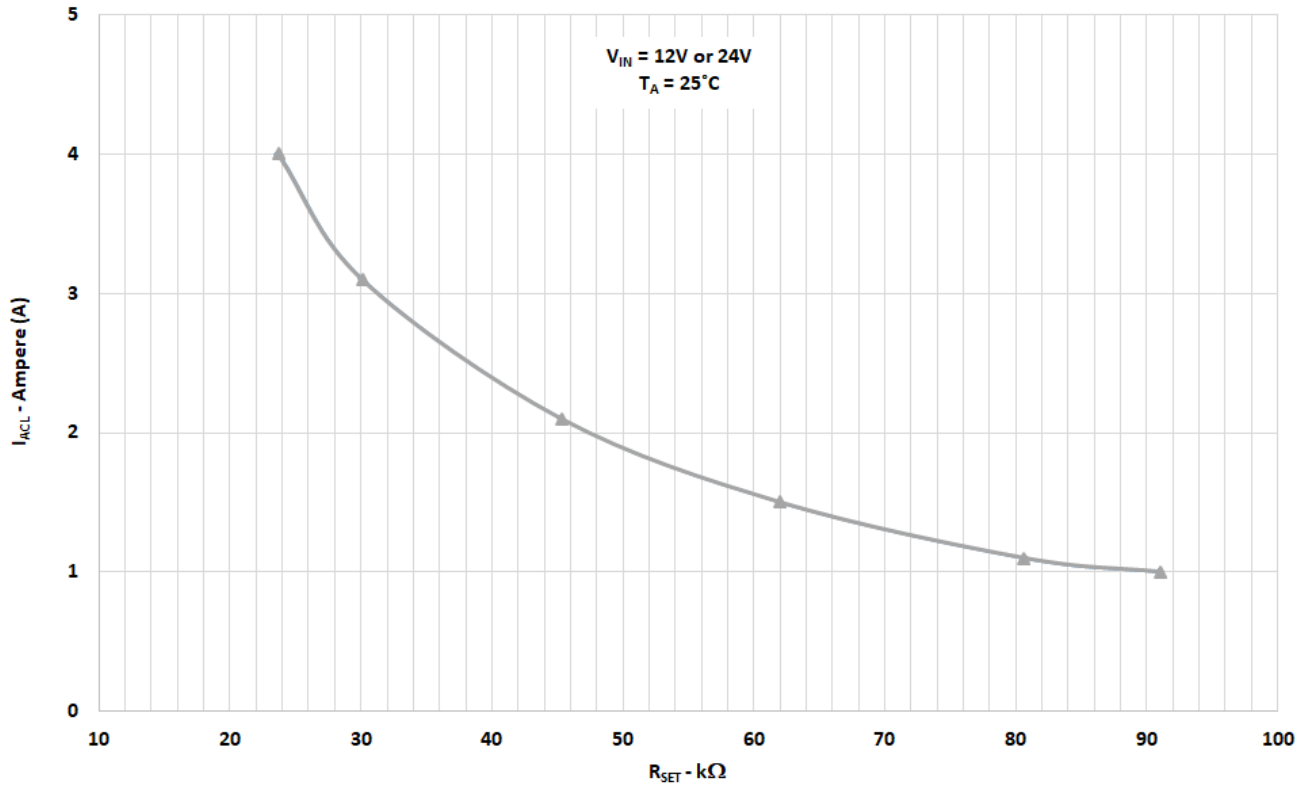
I_{ACL} vs. Temperature and R_{SET}



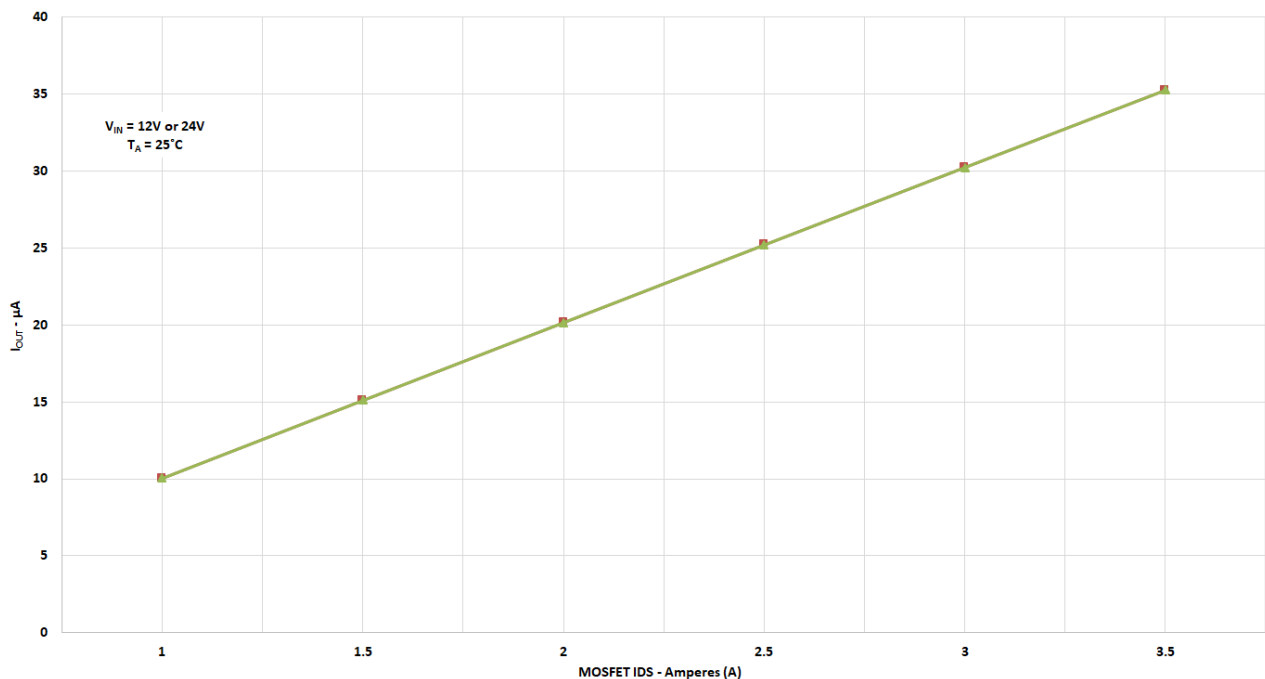
SLG59H1013V

A 13.3 mΩ, 3.5 A, 125 °C-Rated, Load Switch with 12 V / 24 V V_{IN} Lockout Select and MOSFET Current Monitor Output

I_{ACL} vs. R_{SET} and V_{IN}



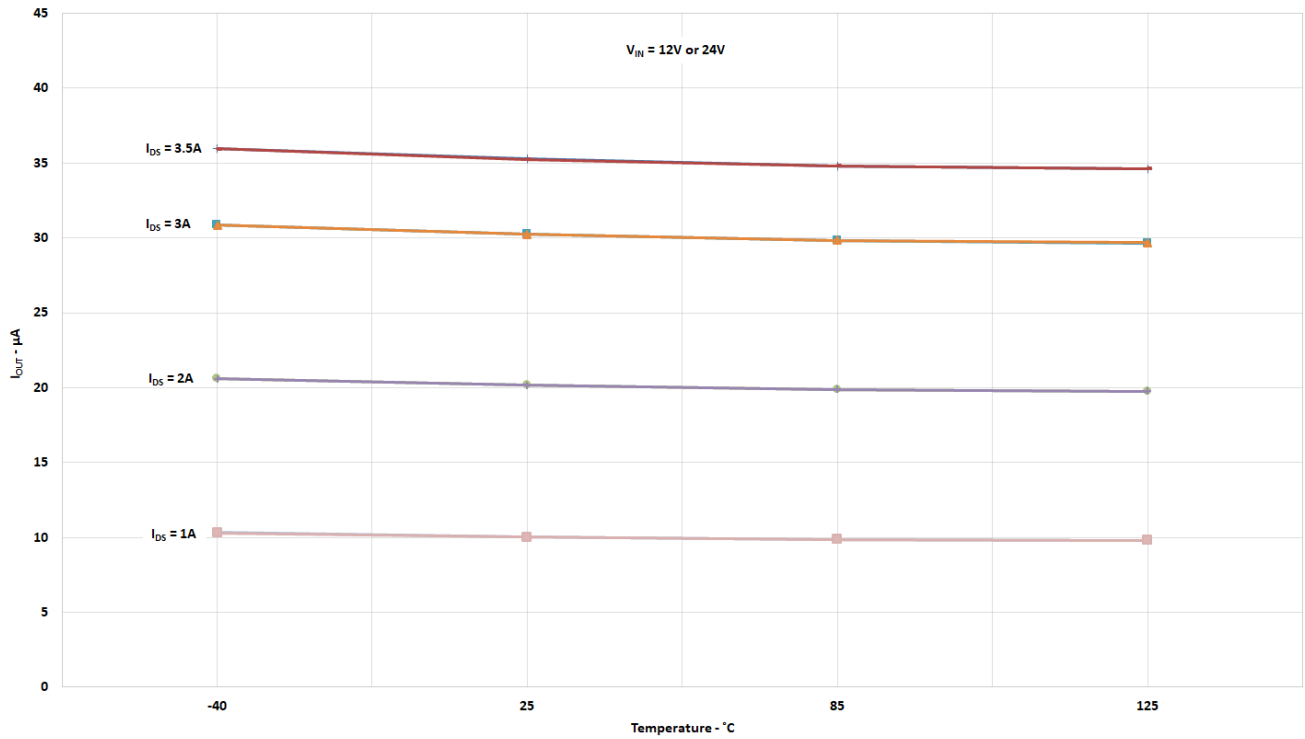
I_{OUT} vs. MOSFET I_{DS} and V_{IN}



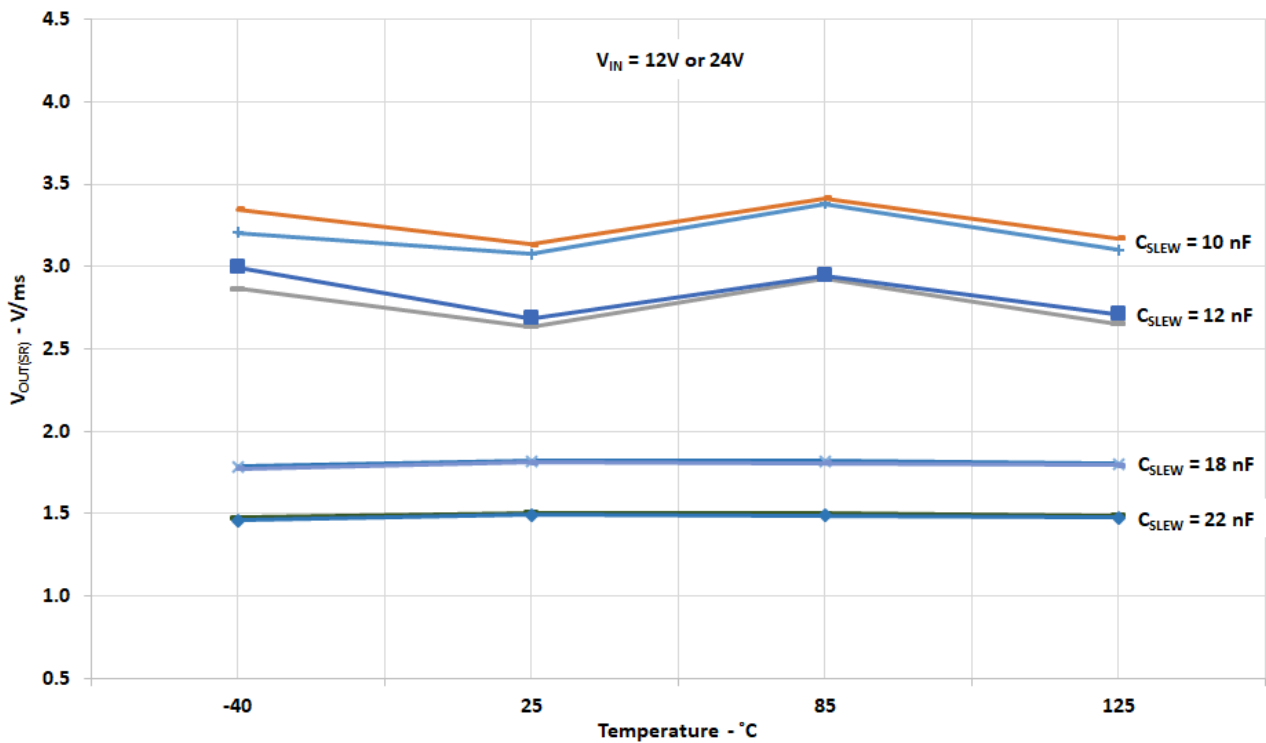
SLG59H1013V

A 13.3 mΩ, 3.5 A, 125 °C-Rated, Load Switch with 12 V / 24 V V_{IN} Lockout Select and MOSFET Current Monitor Output

I_{OUT} vs. Temperature and MOSFET I_{DS}



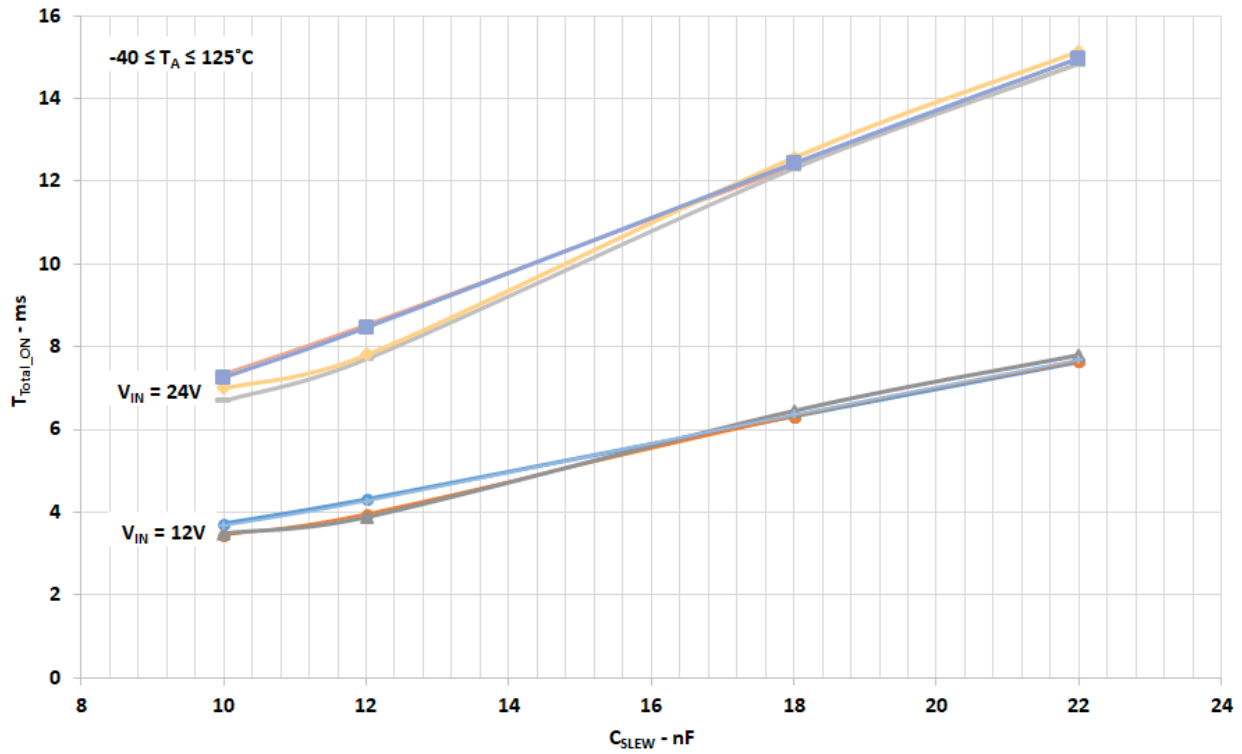
V_{OUT} Slew Rate vs. Temperature, V_{IN} , and C_{SLEW}



SLG59H1013V

A 13.3 mΩ, 3.5 A, 125 °C-Rated, Load Switch
with 12 V / 24 V V_{IN} Lockout Select and MOSFET Current Monitor Output

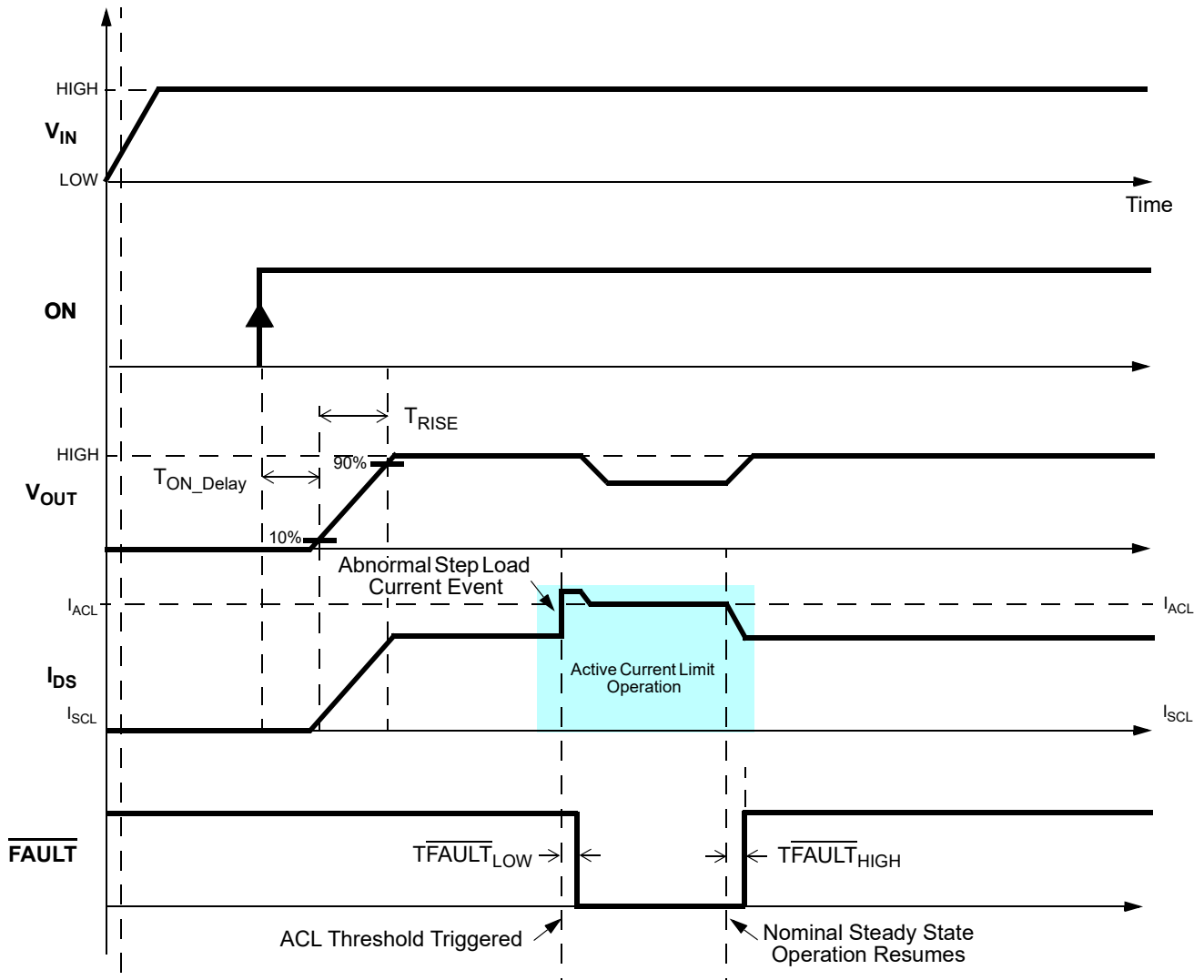
T_{Total_ON} vs. C_{SLEW} , V_{IN} , and Temperature



SLG59H1013V

A 13.3 mΩ, 3.5 A, 125 °C-Rated, Load Switch
with 12 V / 24 V V_{IN} Lockout Select and MOSFET Current Monitor Output

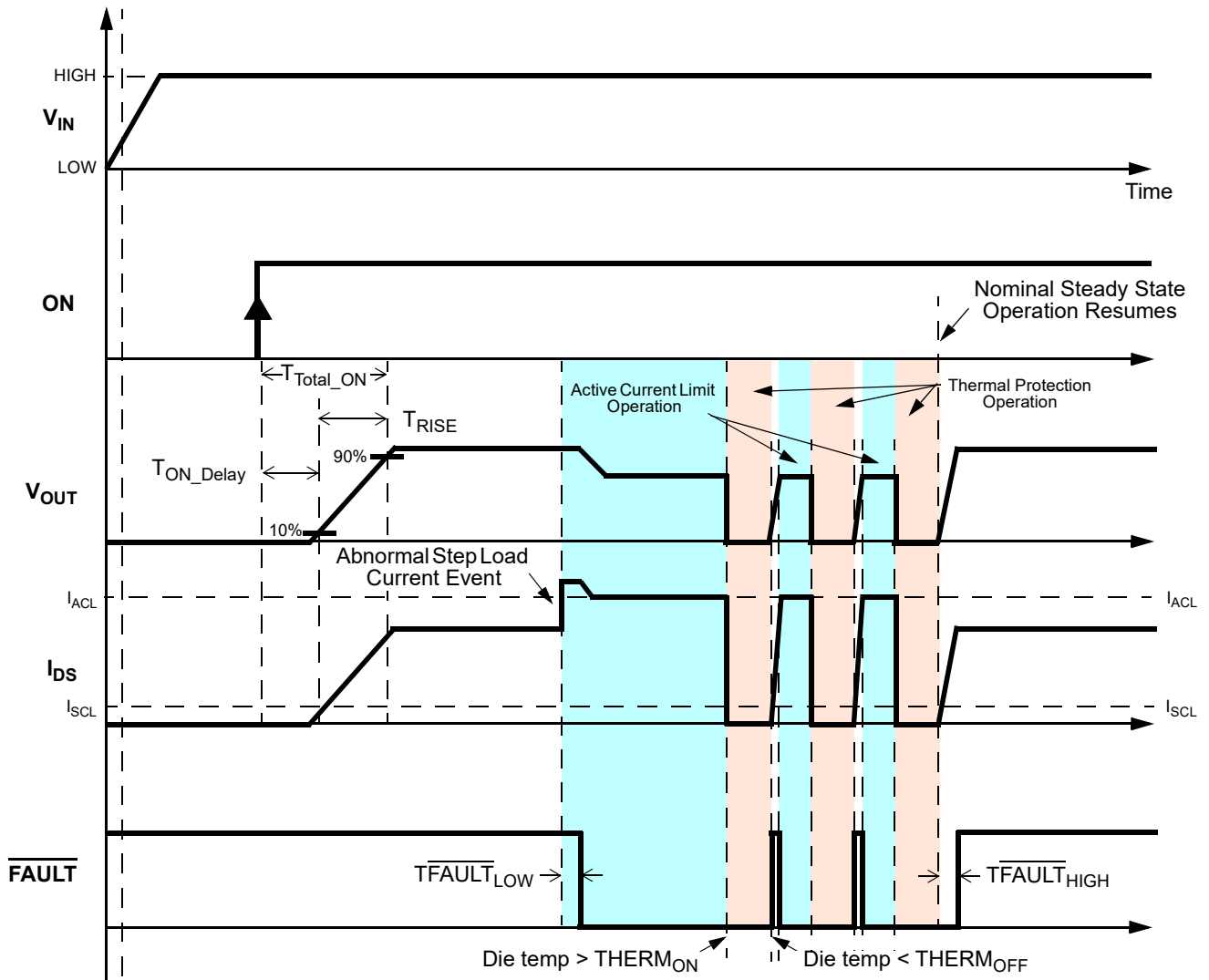
Timing Diagram - Basic Operation including Active Current Limit Protection



SLG59H1013V

A 13.3 mΩ, 3.5 A, 125 °C-Rated, Load Switch
with 12 V / 24 V V_{IN} Lockout Select and MOSFET Current Monitor Output

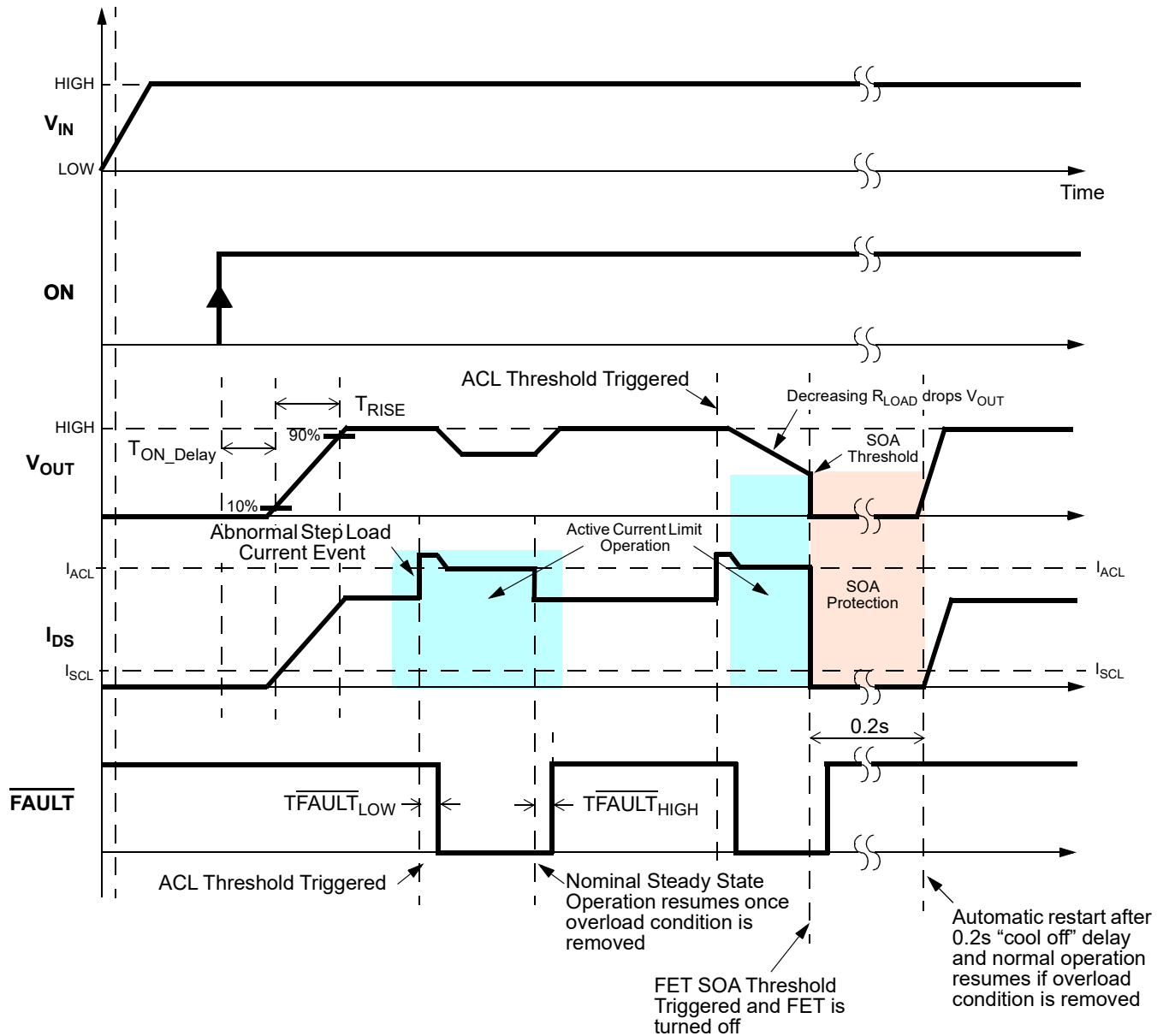
Timing Diagram - Active Current Limit & Thermal Protection Operation



SLG59H1013V

A 13.3 mΩ, 3.5 A, 125 °C-Rated, Load Switch
with 12 V / 24 V V_{IN} Lockout Select and MOSFET Current Monitor Output

Timing Diagram - Basic Operation including Active Current + Internal FET SOA Protection



SLG59H1013V

A 13.3 mΩ, 3.5 A, 125 °C-Rated, Load Switch with 12 V / 24 V V_{IN} Lockout Select and MOSFET Current Monitor Output

SLG59H1013V Application Diagram

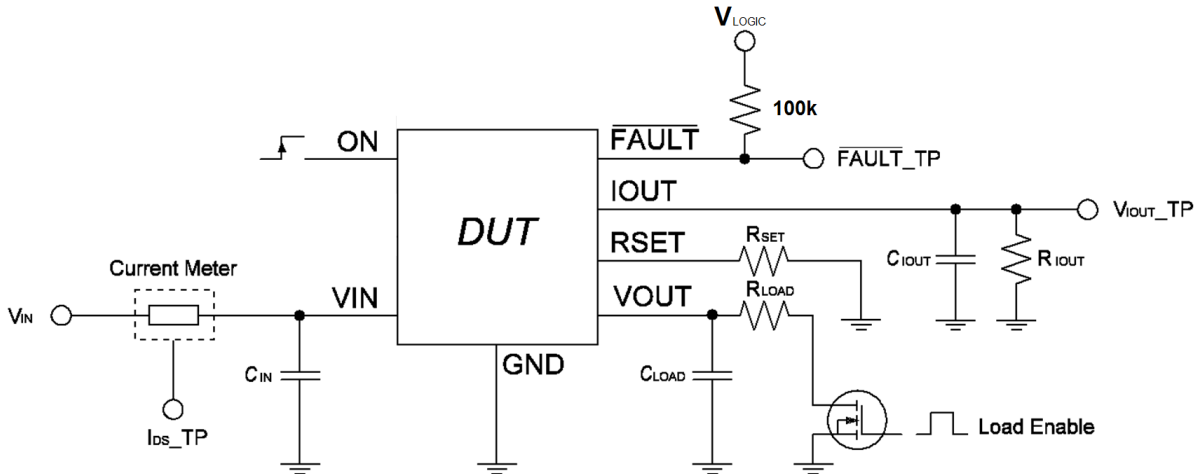


Figure 1. Test setup Application Diagram

Typical Turn-on Waveforms

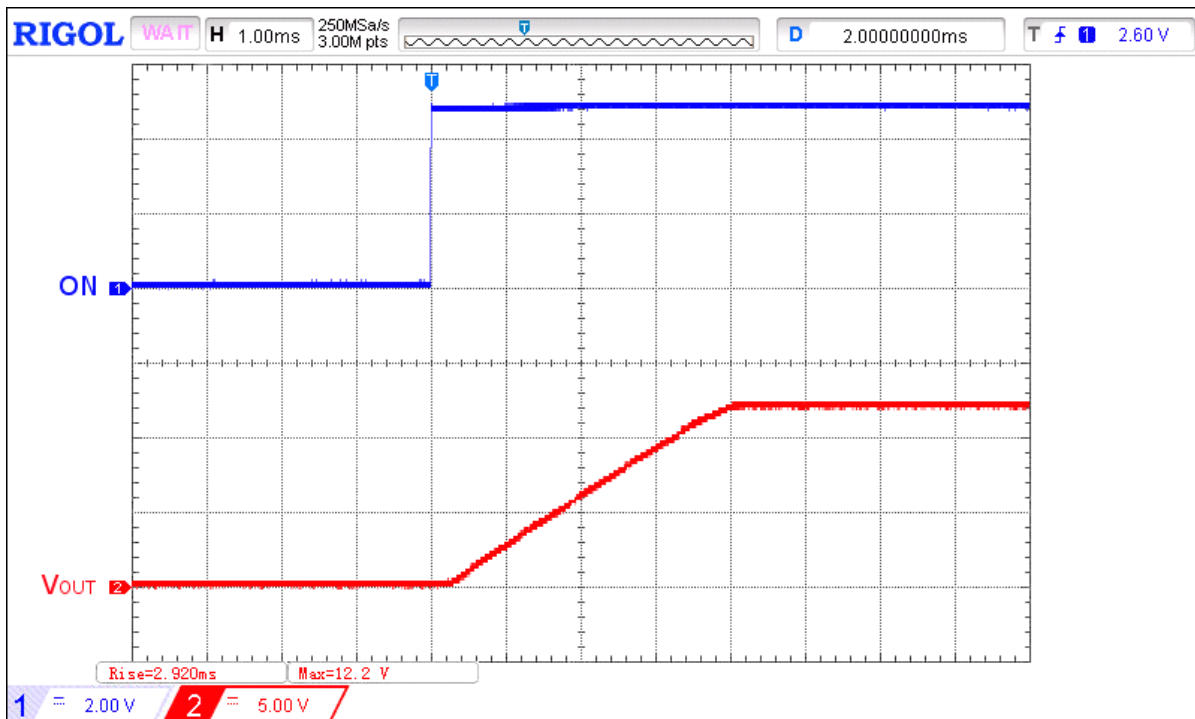


Figure 2. Typical Turn ON operation waveform for $V_{IN} = 12\text{ V}$, $C_{SLEW} = 10\text{ nF}$, $C_{LOAD} = 10\text{ }\mu\text{F}$, $R_{LOAD} = 100\text{ }\Omega$

SLG59H1013V

A 13.3 mΩ, 3.5 A, 125 °C-Rated, Load Switch
with 12 V / 24 V V_{IN} Lockout Select and MOSFET Current Monitor Output

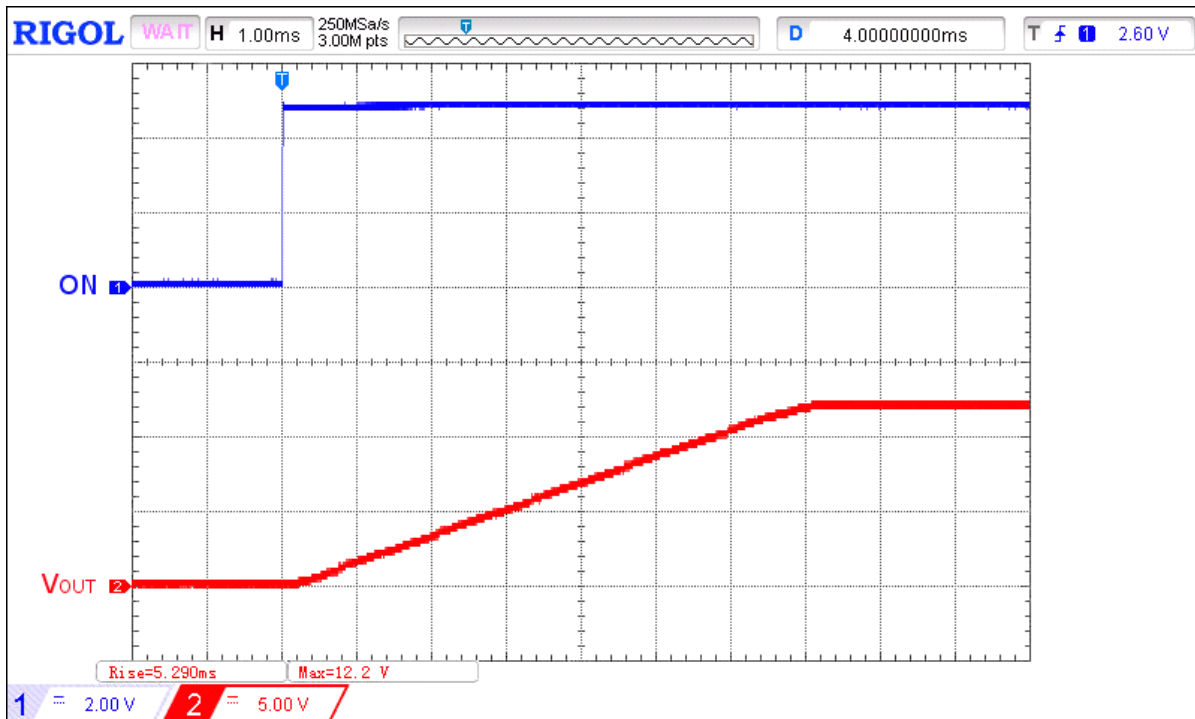


Figure 3. Typical Turn ON operation waveform for $V_{IN} = 12\text{ V}$, $C_{SLEW} = 18\text{ nF}$, $C_{LOAD} = 10\text{ }\mu\text{F}$, $R_{LOAD} = 100\text{ }\Omega$

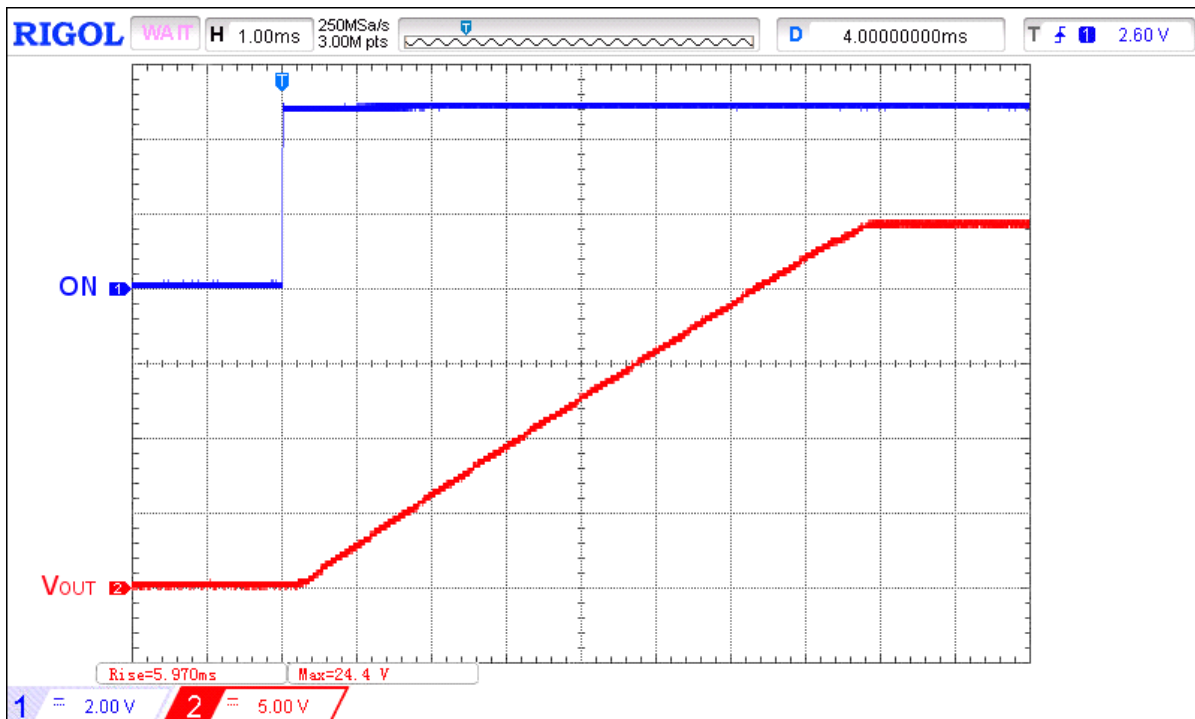


Figure 4. Typical Turn ON operation waveform for $V_{IN} = 24\text{ V}$, $C_{SLEW} = 10\text{ nF}$, $C_{LOAD} = 10\text{ }\mu\text{F}$, $R_{LOAD} = 100\text{ }\Omega$

SLG59H1013V

A 13.3 mΩ, 3.5 A, 125 °C-Rated, Load Switch
with 12 V / 24 V V_{IN} Lockout Select and MOSFET Current Monitor Output

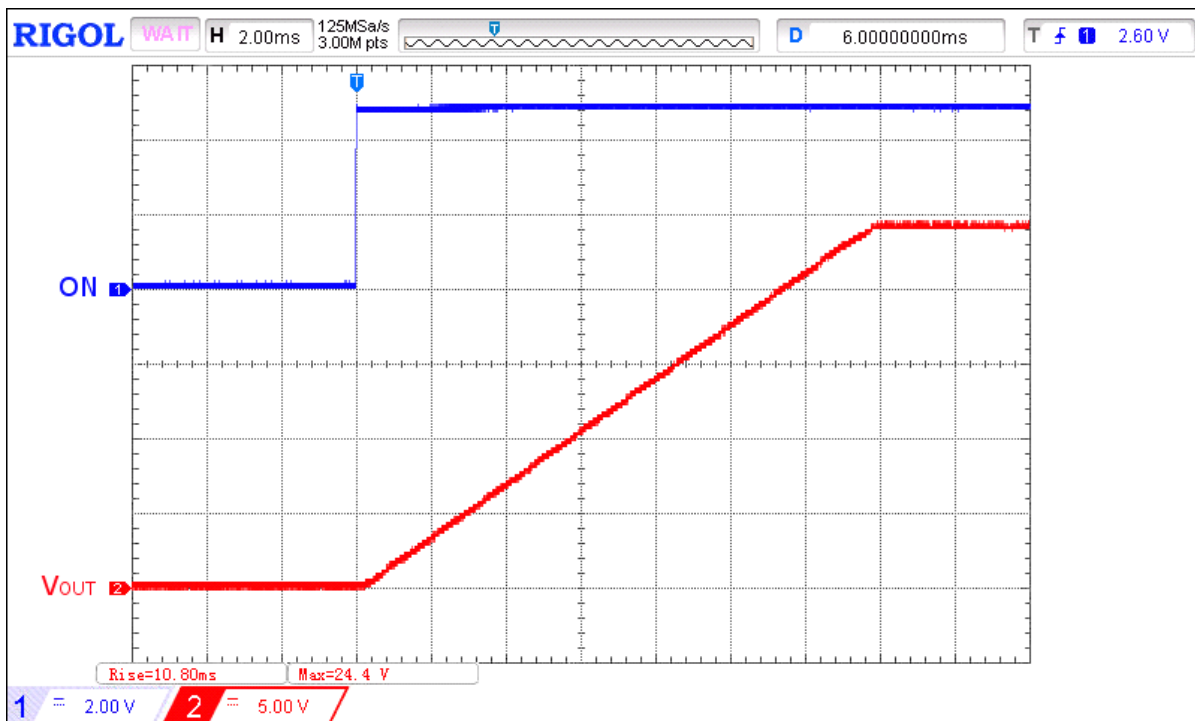


Figure 5. Typical Turn ON operation waveform for $V_{IN} = 24\text{ V}$, $C_{SLEW} = 18\text{ nF}$, $C_{LOAD} = 10\text{ }\mu\text{F}$, $R_{LOAD} = 100\text{ }\Omega$

Typical Turn-off Waveforms

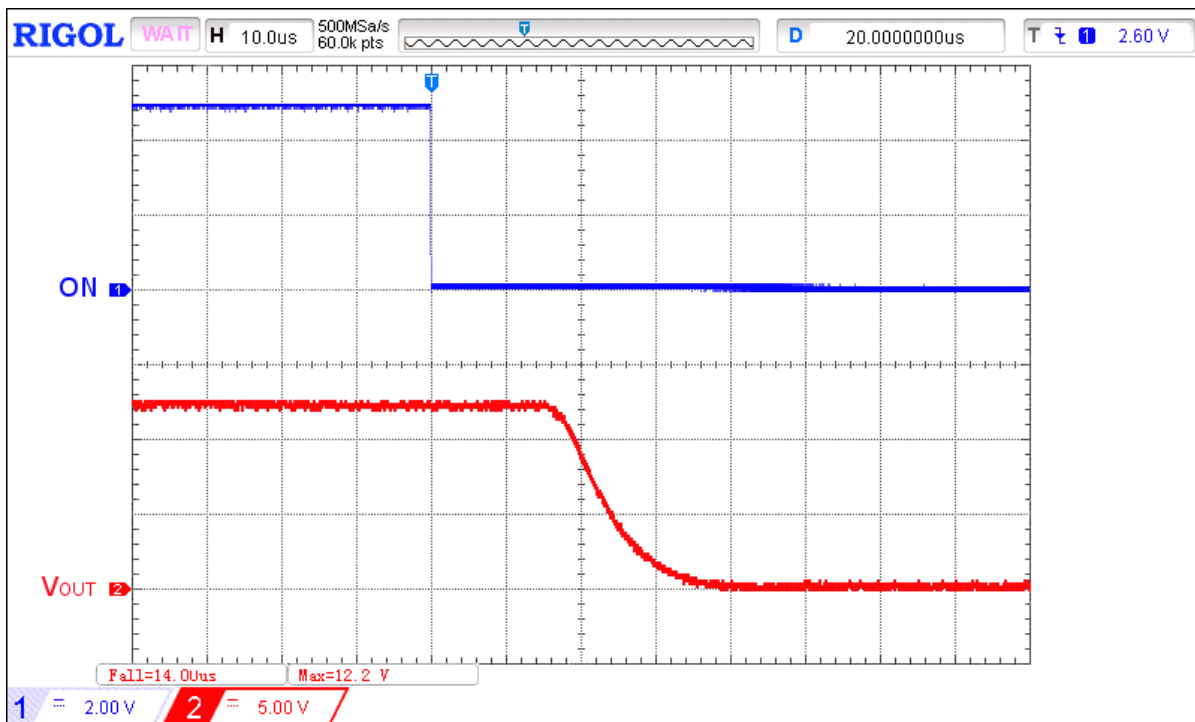


Figure 6. Typical Turn OFF operation waveform for $V_{IN} = 12\text{ V}$, $C_{SLEW} = 10\text{ nF}$, no C_{LOAD} , $R_{LOAD} = 100\text{ }\Omega$

SLG59H1013V

A 13.3 mΩ, 3.5 A, 125 °C-Rated, Load Switch
with 12 V/24 V V_{IN} Lockout Select and MOSFET Current Monitor Output

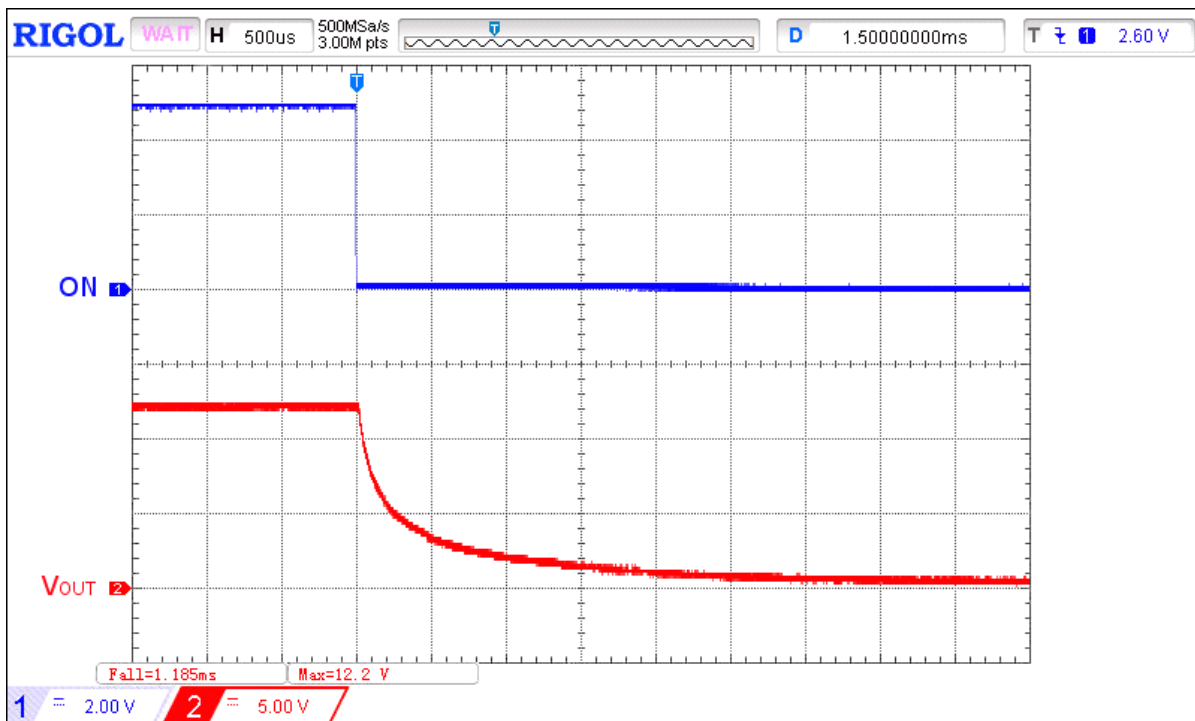


Figure 7. Typical Turn OFF operation waveform for $V_{IN} = 12V$, $C_{SLEW} = 10\text{ nF}$, $C_{LOAD} = 10\text{ }\mu\text{F}$, $R_{LOAD} = 100\text{ }\Omega$

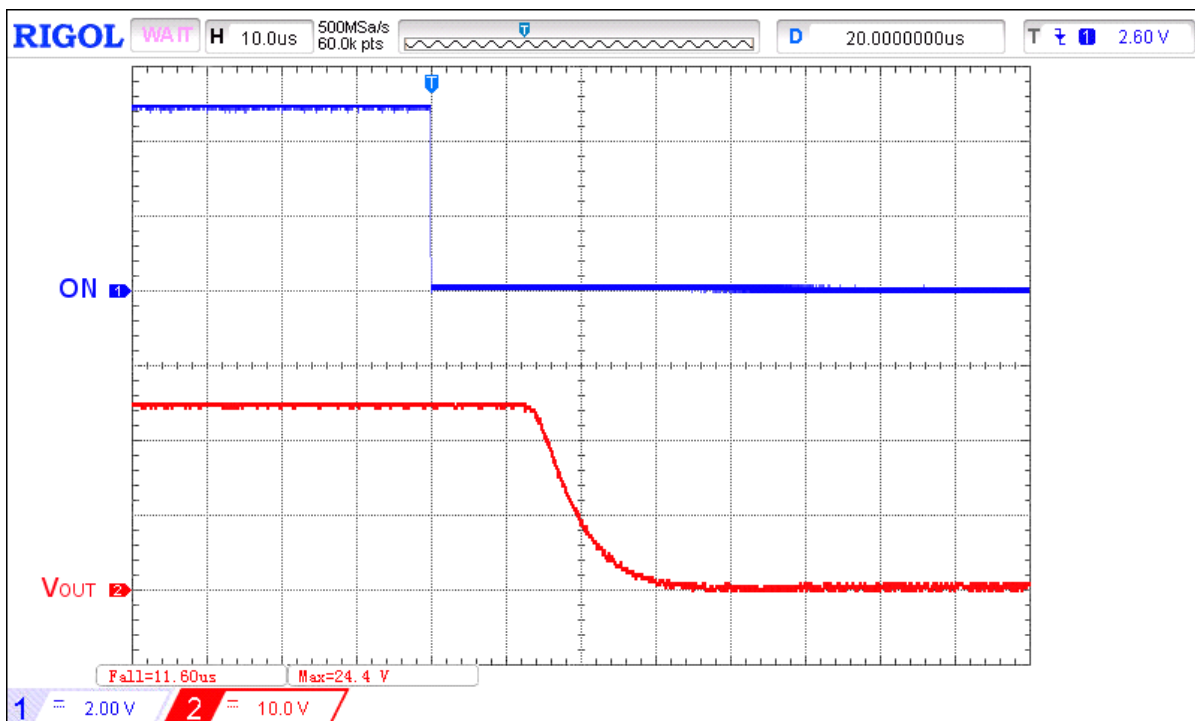


Figure 8. Typical Turn OFF operation waveform for $V_{IN} = 24\text{ V}$, $C_{SLEW} = 10\text{ nF}$, no C_{LOAD} , $R_{LOAD} = 100\text{ }\Omega$

SLG59H1013V

A 13.3 mΩ, 3.5 A, 125 °C-Rated, Load Switch
with 12 V / 24 V V_{IN} Lockout Select and MOSFET Current Monitor Output

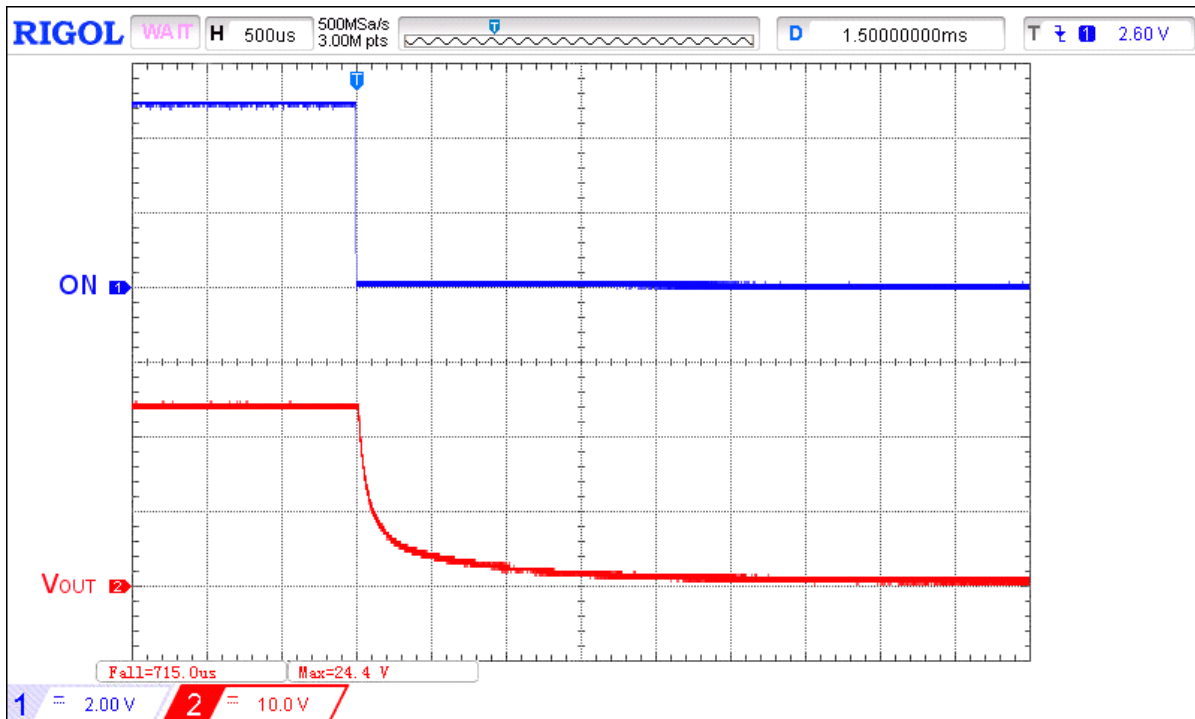


Figure 9. Typical Turn OFF operation waveform for $V_{IN} = 24\text{ V}$, $C_{SLEW} = 10\text{ nF}$, $C_{LOAD} = 10\text{ }\mu\text{F}$, $R_{LOAD} = 100\text{ }\Omega$

Typical ACL Operation Waveforms

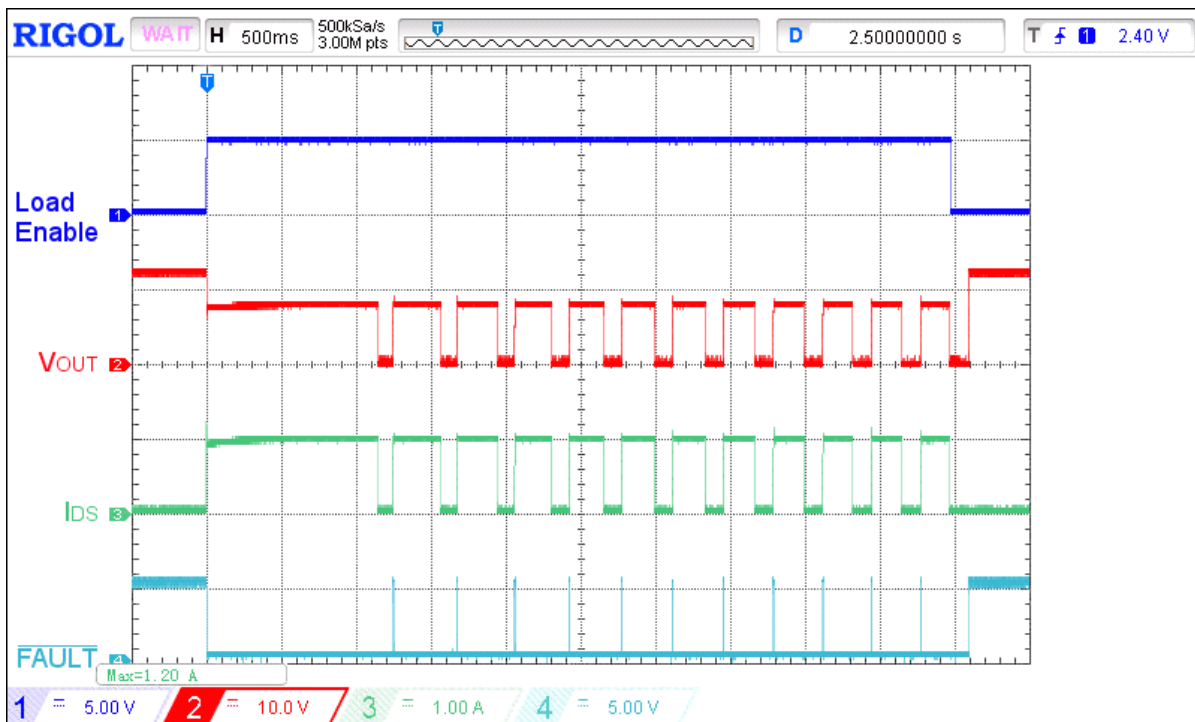


Figure 10. Typical ACL operation waveform for $V_{IN} = 12\text{ V}$, $C_{LOAD} = 10\text{ }\mu\text{F}$, $I_{ACL} = 1\text{ A}$, $R_{SET} = 91\text{ k}\Omega$

SLG59H1013V

A 13.3 mΩ, 3.5 A, 125 °C-Rated, Load Switch
with 12 V / 24 V V_{IN} Lockout Select and MOSFET Current Monitor Output

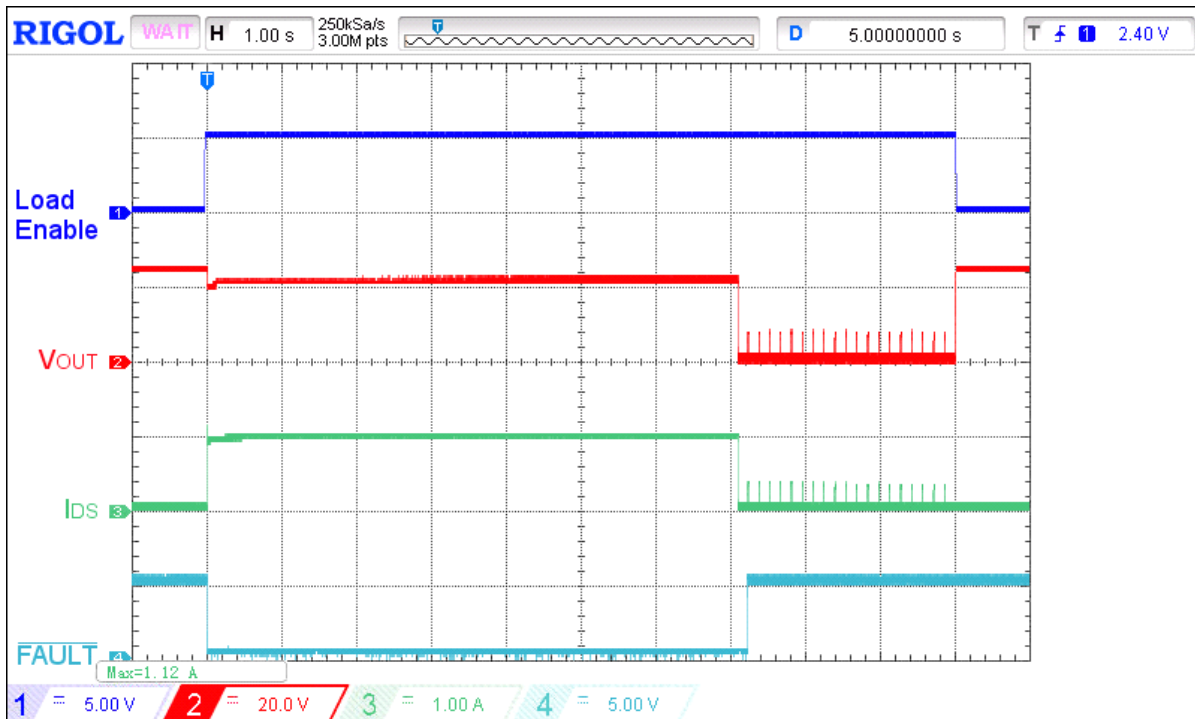


Figure 11. Thermally induced SOA shutdown for $V_{IN} = 24\text{ V}$, $C_{LOAD} = 10\text{ }\mu\text{F}$, $I_{ACL} = 1\text{ A}$, $R_{SET} = 91\text{ k}\Omega$

Typical FAULT Operation Waveforms

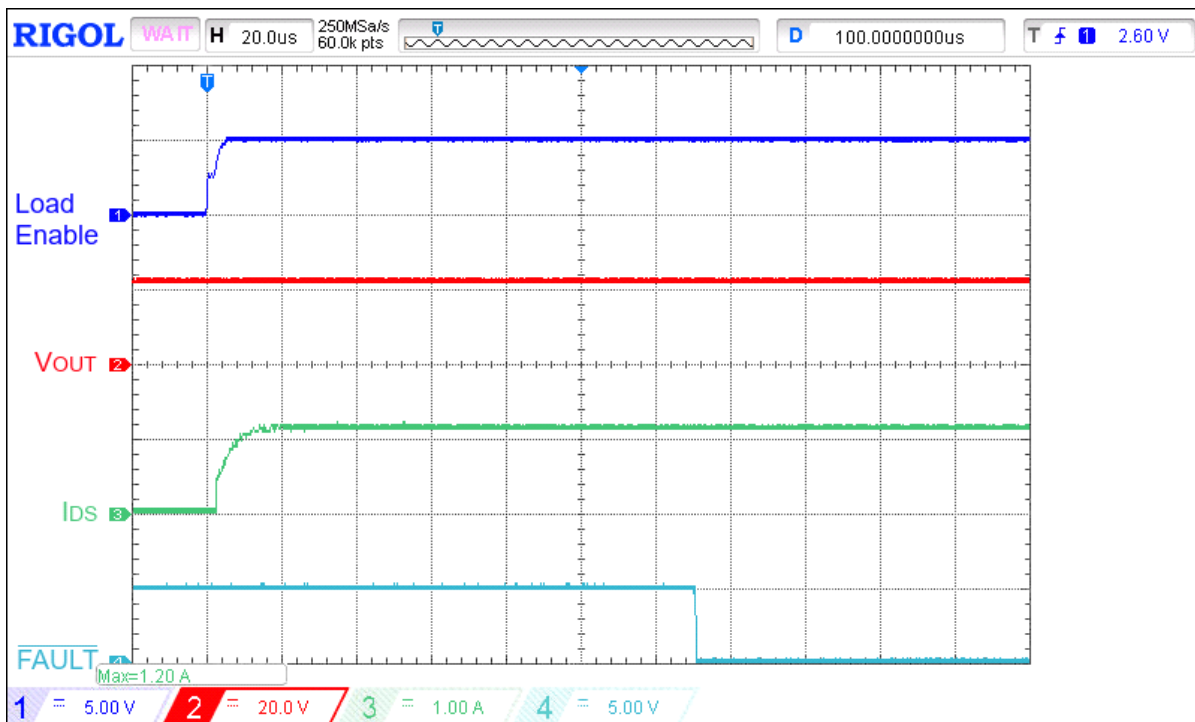


Figure 12. Typical FAULT assertion waveform for $V_{IN} = 24\text{ V}$, $C_{LOAD} = 10\text{ }\mu\text{F}$, $I_{ACL} = 1\text{ A}$, $R_{SET} = 91\text{ k}\Omega$, switch on 18.5 Ω load

SLG59H1013V

A 13.3 mΩ, 3.5 A, 125 °C-Rated, Load Switch
with 12 V / 24 V V_{IN} Lockout Select and MOSFET Current Monitor Output

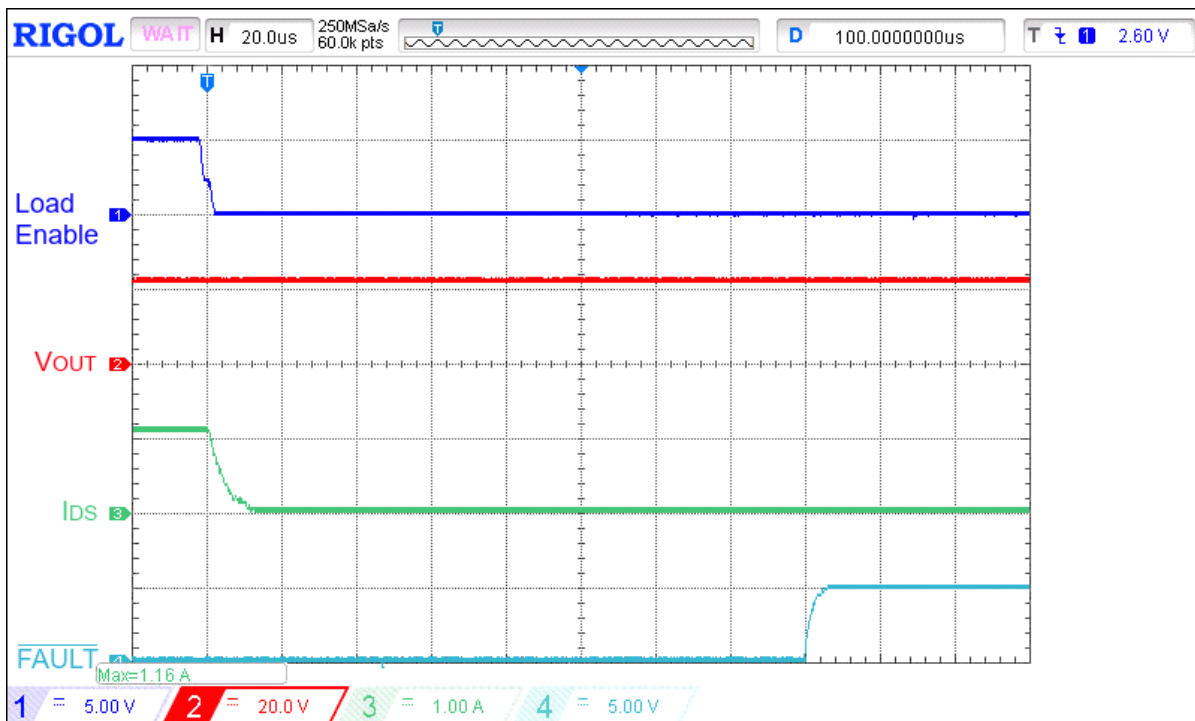


Figure 13. Typical $\overline{\text{FAULT}}$ de-assertion waveform for $V_{IN} = 24 \text{ V}$, $C_{LOAD} = 10 \mu\text{F}$, $I_{ACL} = 1 \text{ A}$, $R_{SET} = 91 \text{ k}\Omega$, switch out 18.5Ω load

SLG59H1013V

A 13.3 mΩ, 3.5 A, 125 °C-Rated, Load Switch
with 12 V / 24 V V_{IN} Lockout Select and MOSFET Current Monitor Output

Applications Information

High Voltage GreenFET Safe Operating Area Explained

Renesas's High Voltage GreenFET load switches incorporate a number of internal protection features that prevents them from damaging themselves or any other circuit or subcircuit downstream of them. One particular protection feature is their Safe Operation Area (SOA) protection. SOA protection is automatically activated under overpower and, in some cases, under overcurrent conditions. Overpower SOA is activated if package power dissipation exceeds an internal 5 W threshold longer than 2.5 ms. High Voltage GreenFET devices will quickly switch off (open circuit) upon overpower detection and automatically resume (close) nominal operation once overpower condition no longer exists.

One possible way to have an overpower condition trigger SOA protection is when High Voltage GreenFET products are enabled into heavy output resistive loads and/or into large load capacitors. It is under these conditions to follow carefully the "Safe Start-up Loading" guidance in the Applications section of the datasheet. During an overcurrent condition, High Voltage GreenFET devices will try to limit the output current to the level set by the external R_{SET} resistor. Limiting the output current, however, causes an increased voltage drop across the FET's channel because the FET's $R_{DS_{ON}}$ increased as well. Since the FET's $R_{DS_{ON}}$ is larger, package power dissipation also increases. If the resultant increase in package power dissipation is higher/equal than 5 W for longer than 2.5 ms, internal SOA protection will be triggered and the FET will open circuit (switch off). Every time SOA protection is triggered, all High Voltage GreenFET devices will automatically attempt to resume nominal operation after 160 ms.

Safe Start-up Condition

SLG59H1013V has built-in protection to prevent over-heating during start-up into a heavy load. Overloading the V_{OUT} pin with a capacitor and a resistor may result in non-monotonic V_{OUT} ramping. In general, under light loading on V_{OUT} , V_{OUT} ramping can be controlled with C_{SLEW} value. The following equation serves as a guide:

$$C_{SLEW} = \frac{T_{RISE}}{V_{IN}} \times 4.9 \mu A \times \frac{20}{3}$$

where

T_{RISE} = Total rise time from 10% V_{OUT} to 90% V_{OUT}

V_{IN} = Input Voltage

C_{SLEW} = Capacitor value for CAP pin

When capacitor and resistor loading on V_{OUT} during start up, the following tables will ensure V_{OUT} ramping is monotonic without triggering internal protection:

Safe Start-up Loading for $V_{IN} = 12$ V (Monotonic Ramp)			
Slew Rate (V/ms)	C_{SLEW} (nF) ²	C_{LOAD} (μF)	R_{LOAD} (Ω)
1	33.3	500	20
2	16.7	250	20
3	11.1	160	20
4	8.3	120	20
5	6.7	100	20

SLG59H1013V

A 13.3 mΩ, 3.5 A, 125 °C-Rated, Load Switch
with 12 V / 24 V V_{IN} Lockout Select and MOSFET Current Monitor Output

Safe Start-up Loading for $V_{IN} = 24\text{ V}$ (Monotonic Ramp)			
Slew Rate (V/ms)	C_{SLEW} (nF) ²	C_{LOAD} (μF)	R_{LOAD} (Ω)
0.5	66.7	500	80
1.0	33.3	250	80
1.5	22.2	160	80
2.0	16.7	120	80
2.5	13.3	100	80

Note 2: Select the closest-value tolerance capacitor.

Setting the SLG59H1013V's Active Current Limit

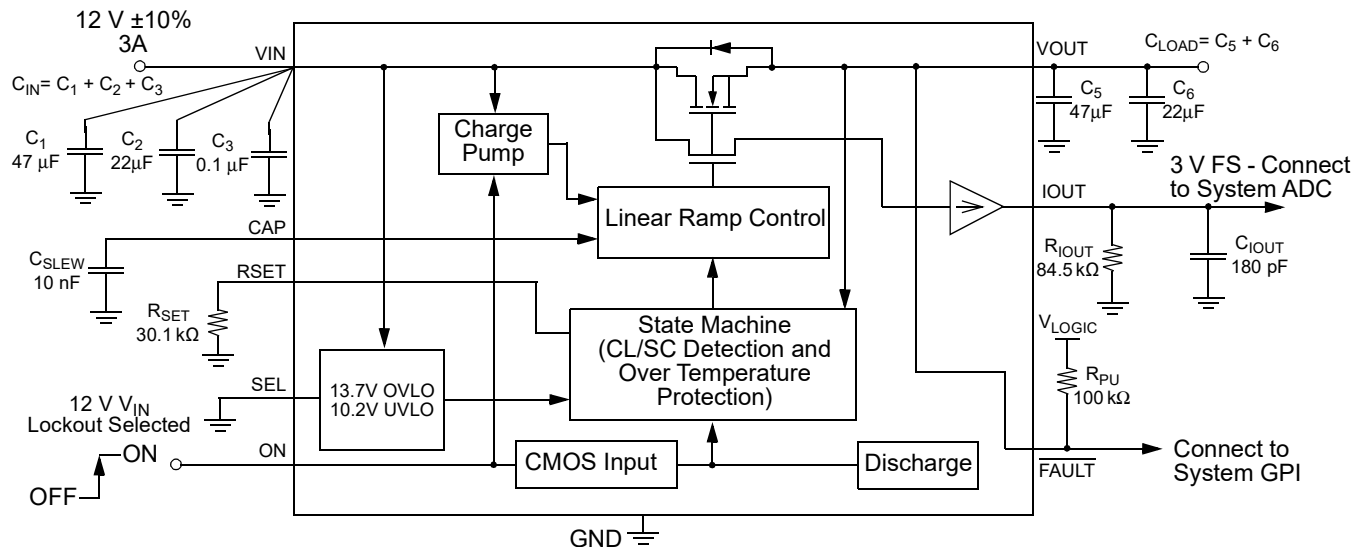
R_{SET} (kΩ)	Active Current Limit (A) ³
91	1
45	2
30	3
23.7	4

Note 3: Active Current Limit accuracy is ±15% over voltage range and over temperature range.

Configuring the SLG59H1013V for 12 V V_{IN} Lockout Applications

To configure the SLG59H1013V for conditioned 12 V ±10% V_{IN} applications is simply a matter of connecting the SEL pin to GND as shown in Figure A. For other V_{IN} lockout window applications, please consult Renesas for additional information.

Figure A.



SLG59H1013V

A 13.3 mΩ, 3.5 A, 125 °C-Rated, Load Switch
with 12 V / 24 V V_{IN} Lockout Select and MOSFET Current Monitor Output

24 V V_{IN} and 12 V V_{IN} Lockout Window Thresholds

Shown in Figure B and Figure C are the two sets of V_{IN} overvoltage/undervoltage lockout windows – one for conditioned 24 V $\pm 5\%$ V_{IN} systems and the second for conditioned 12 V $\pm 10\%$ V_{IN} systems. To avoid lockout threshold collision with nominal operation, the SLG59H1013V's $V_{IN(OVLO)}$ min and $V_{IN(UVLO)}$ max thresholds were set 0.1 V correspondingly higher than the system's nominal V_{IN} max or lower than the system's V_{IN} min range.

Figure B.

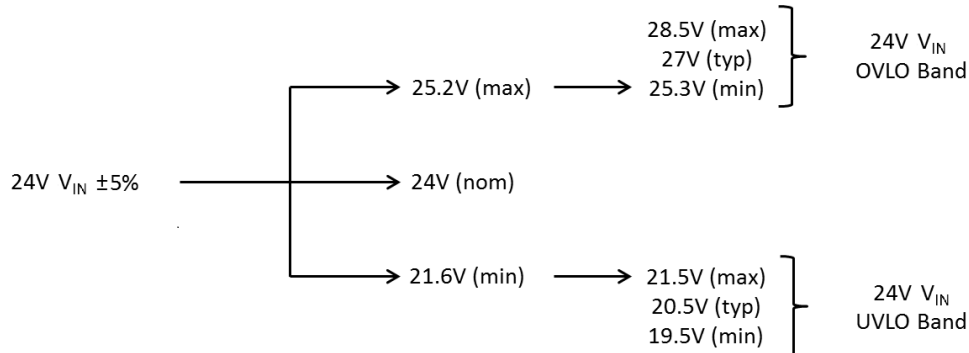
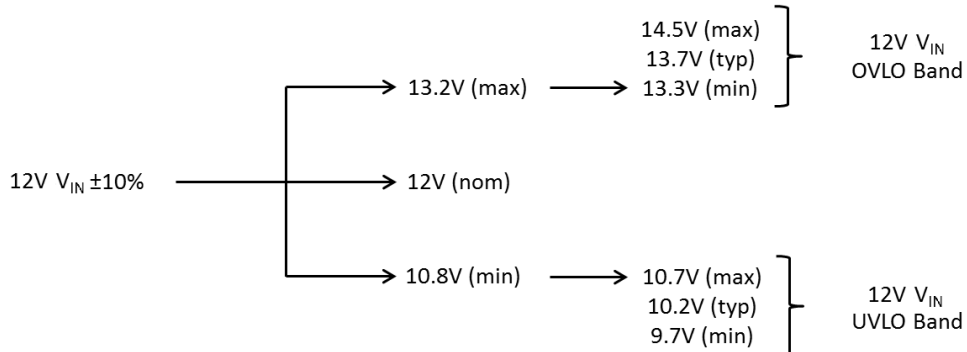


Figure C.



Power Dissipation

The junction temperature of the SLG59H1013V depends on different factors such as board layout, ambient temperature, and other environmental factors. The primary contributor to the increase in the junction temperature of the SLG59H1013V is the power dissipation of its power MOSFET. Its power dissipation and the junction temperature in nominal operating mode can be calculated using the following equations:

$$PD = RDS_{ON} \times I_{DS}^2$$

where:

PD = Power dissipation, in Watts (W)

RDS_{ON} = Power MOSFET ON resistance, in Ohms (Ω)

I_{DS} = Output current, in Amps (A)

and

$$T_J = PD \times \theta_{JA} + T_A$$

where:

T_J = Junction temperature, in Celsius degrees ($^{\circ}C$)

θ_{JA} = Package thermal resistance, in Celsius degrees per Watt ($^{\circ}C/W$)

T_A = Ambient temperature, in Celsius degrees ($^{\circ}C$)

SLG59H1013V

A 13.3 mΩ, 3.5 A, 125 °C-Rated, Load Switch
with 12 V / 24 V V_{IN} Lockout Select and MOSFET Current Monitor Output

Power Dissipation (continued)

In current-limit mode, the SLG59H1013V's power dissipation can be calculated by taking into account the voltage drop across the load switch ($V_{IN}-V_{OUT}$) and the magnitude of the output current in current-limit mode (I_{ACL}):

$$PD = (V_{IN}-V_{OUT}) \times I_{ACL} \text{ or}$$

$$PD = (V_{IN} - (R_{LOAD} \times I_{ACL})) \times I_{ACL}$$

where:

PD = Power dissipation, in Watts (W)
 V_{IN} = Input Voltage, in Volts (V)
 R_{LOAD} = Load Resistance, in Ohms (Ω)
 I_{ACL} = Output limited current, in Amps (A)
 $V_{OUT} = R_{LOAD} \times I_{ACL}$

SLG59H1013V

A 13.3 mΩ, 3.5 A, 125 °C-Rated, Load Switch
with 12 V / 24 V V_{IN} Lockout Select and MOSFET Current Monitor Output

Layout Guidelines:

1. Since the VIN and VOUT pins dissipate most of the heat generated during high-load current operation, it is highly recommended to make power traces as short, direct, and wide as possible. A good practice is to make power traces with absolute minimum widths of 15 mils (0.381 mm) per Ampere. A representative layout, shown in [Figure 14](#), illustrates proper techniques for heat to transfer as efficiently as possible out of the device;
2. To minimize the effects of parasitic trace inductance on normal operation, it is recommended to connect input C_{IN} and output C_{LOAD} low-ESR capacitors as close as possible to the SLG59H1013V's VIN and VOUT pins;
3. The GND pin should be connected to system analog or power ground plane.
4. 2 oz. copper is recommended for high current operation.

SLG59H1013V Evaluation Board:

A High Voltage GreenFET Evaluation Board for SLG59H1013V is designed according to the statements above and is illustrated on [Figure 14](#). Please note that evaluation board has D_Sense and S_Sense pads. They cannot carry high currents and dedicated only for RDS_{ON} evaluation.

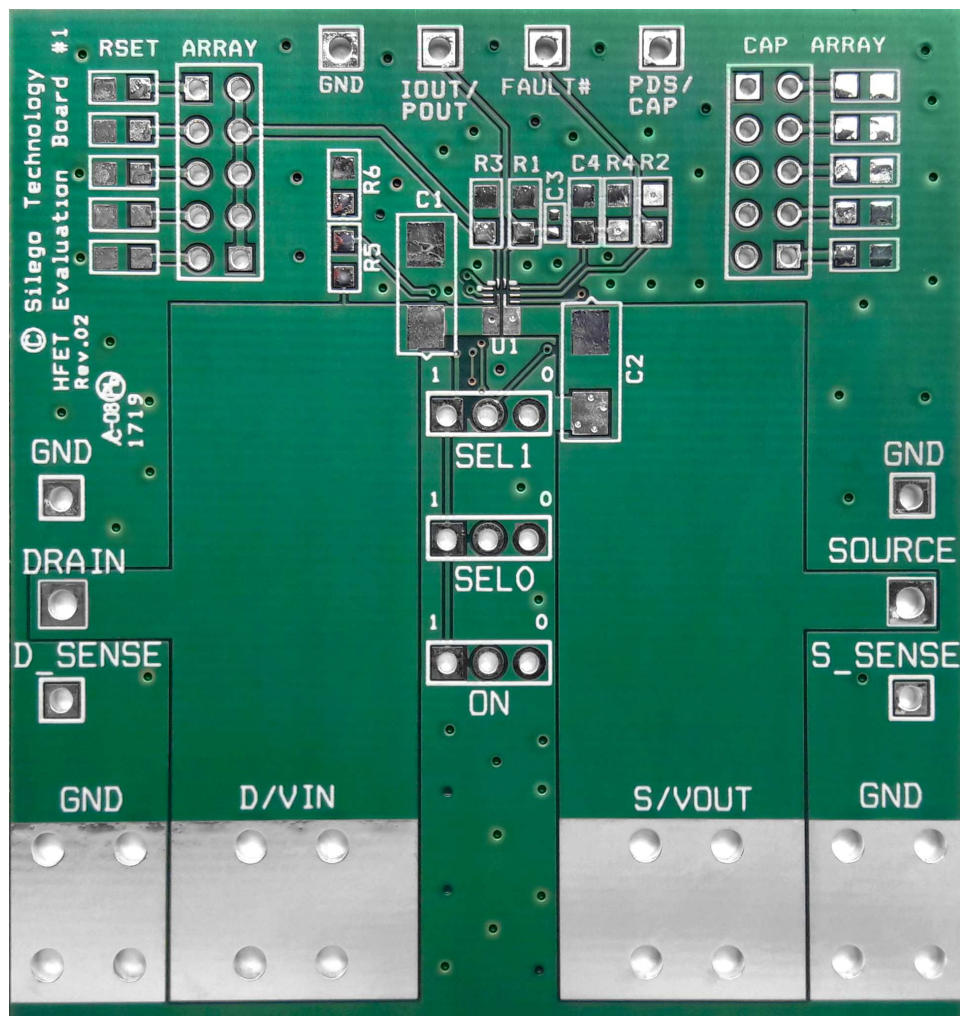


Figure 14. SLG59H1013V Evaluation Board

SLG59H1013V

A 13.3 mΩ, 3.5 A, 125 °C-Rated, Load Switch
with 12 V / 24 V V_{IN} Lockout Select and MOSFET Current Monitor Output

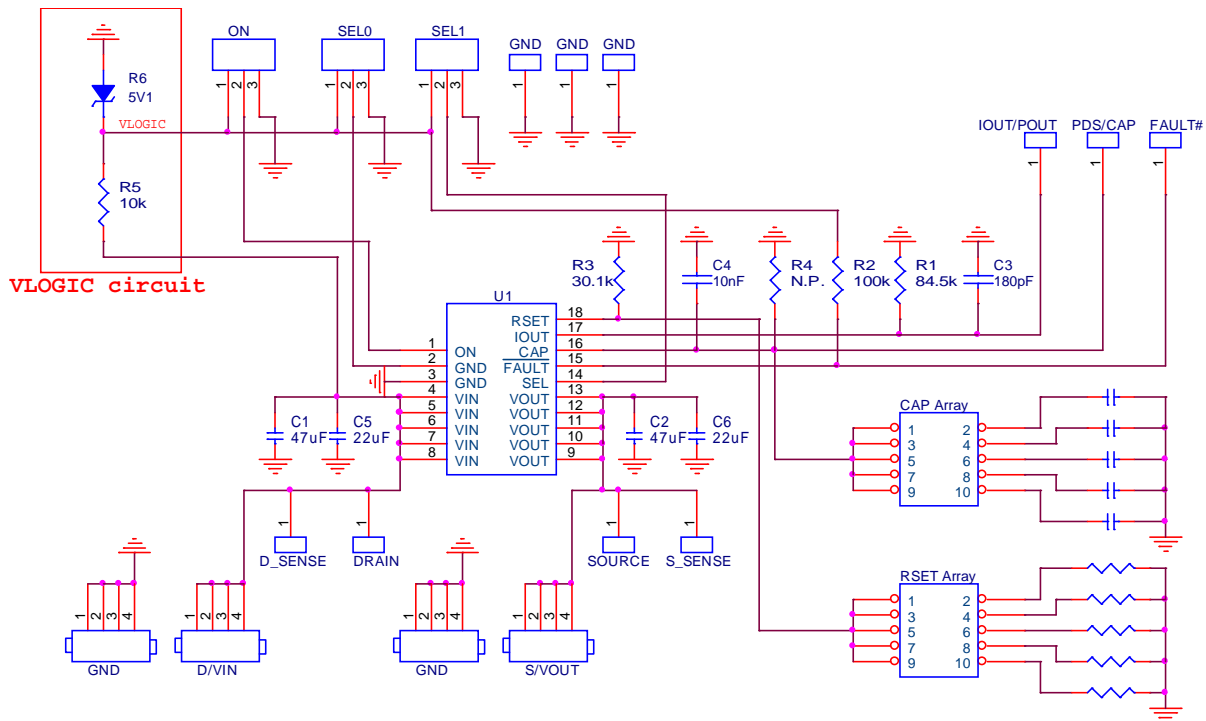


Figure 15. SLG59H1013V Evaluation Board Connection Circuit

Basic Test Setup and Connections

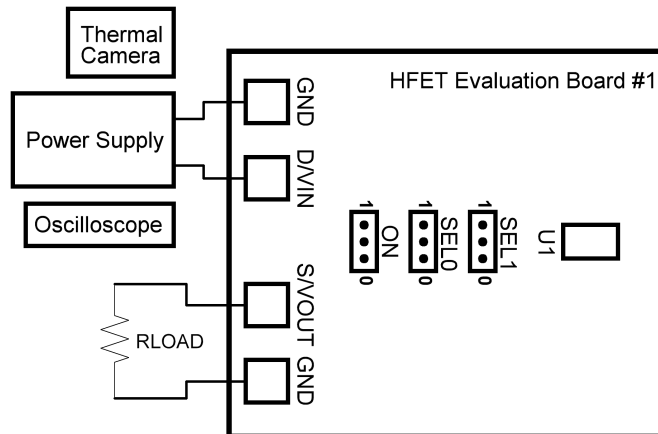


Figure 16. SLG59H1013V Evaluation Board Connection Circuit

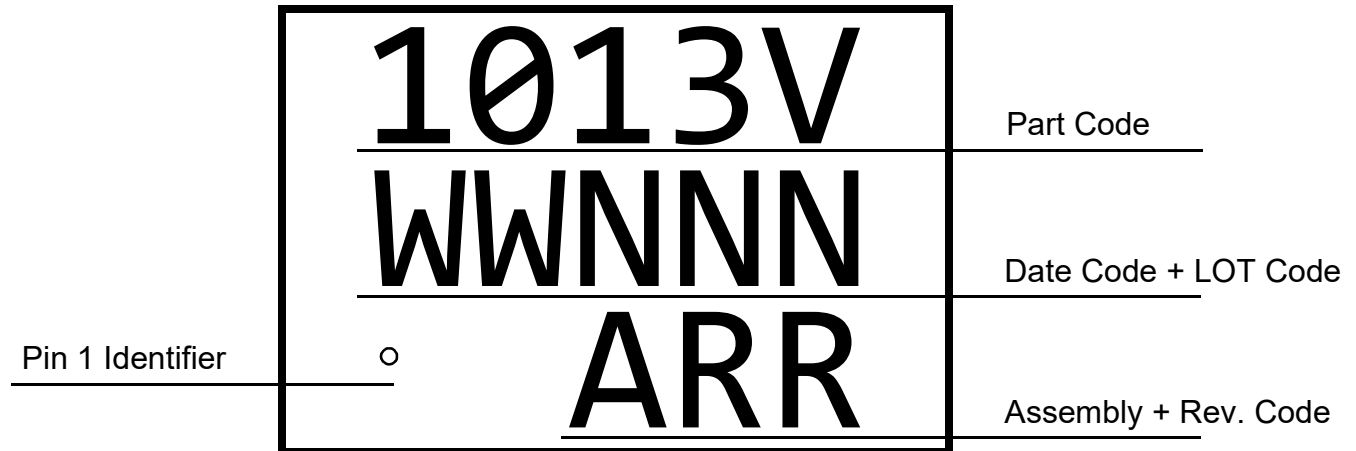
EVB Configuration

1. Set SEL0 to GND;
2. Based on V_{IN} voltage, set SEL1 to GND or 5 V to configure OVLO;
3. Connect oscilloscope probes to D/VIN, S/VOUT, ON, etc.;
4. Turn on Power Supply and set V_{IN} to 12 V or 24 V;
5. Toggle the ON signal High or Low to observe SLG59H1013V operation.

SLG59H1013V

A 13.3 mΩ, 3.5 A, 125 °C-Rated, Load Switch
with 12 V / 24 V V_{IN} Lockout Select and MOSFET Current Monitor Output

Package Top Marking System Definition



- 1013V - Part ID Field
- WW - Date Code Field¹
- NNN - Lot Traceability Code Field¹
- A - Assembly Site Code Field²
- RR - Part Revision Code Field²

Note 1: Each character in code field can be alphanumeric A-Z and 0-9

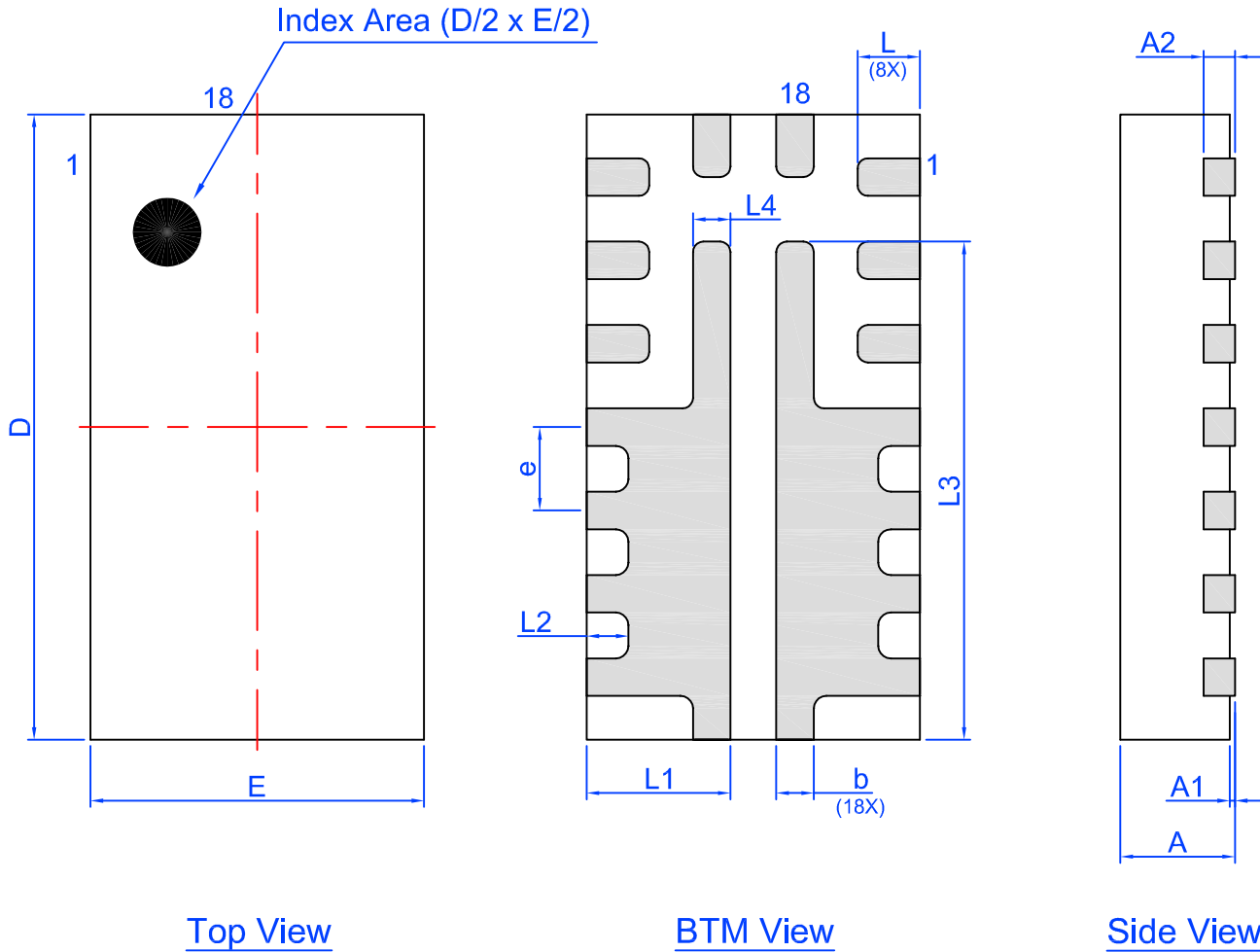
Note 2: Character in code field can be alphabetic A-Z

SLG59H1013V

A 13.3 mΩ, 3.5 A, 125 °C-Rated, Load Switch
with 12 V / 24 V V_{IN} Lockout Select and MOSFET Current Monitor Output

Package Drawing and Dimensions

18 Lead TQFN Package 1.6 x 3 mm (Fused Lead)
JEDEC MO-220, Variation WCEE



Unit: mm

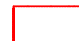
Symbol	Min	Nom.	Max	Symbol	Min	Nom.	Max
A	0.50	0.55	0.60	D	2.95	3.00	3.05
A1	0.005	-	0.05	E	1.55	1.60	1.65
A2	0.10	0.15	0.20	L	0.25	0.30	0.35
b	0.13	0.18	0.23	L1	0.64	0.69	0.74
e	0.40 BSC			L2	0.15	0.20	0.25
L3	2.34	2.39	2.44	L4	0.13	0.18	0.23

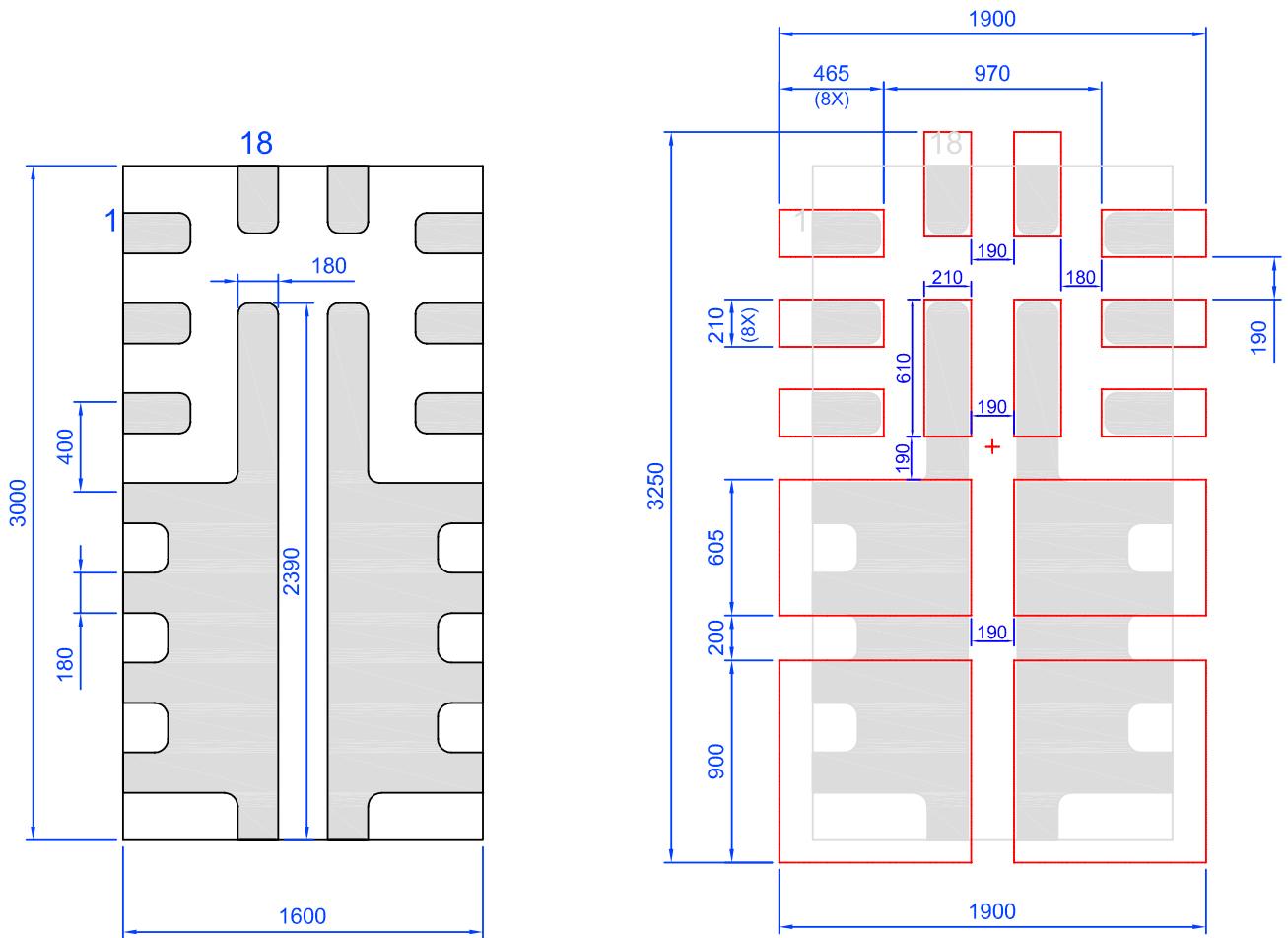
SLG59H1013V

A 13.3 mΩ, 3.5 A, 125 °C-Rated, Load Switch
with 12 V / 24 V V_{IN} Lockout Select and MOSFET Current Monitor Output

SLG59H1013V 18-pin STQFN PCB Landing Pattern

 Exposed Pad
(PKG face down)

 Recommended Land Pattern
(PKG face down)



Note: All dimensions shown in micrometers (μm)

SLG59H1013V

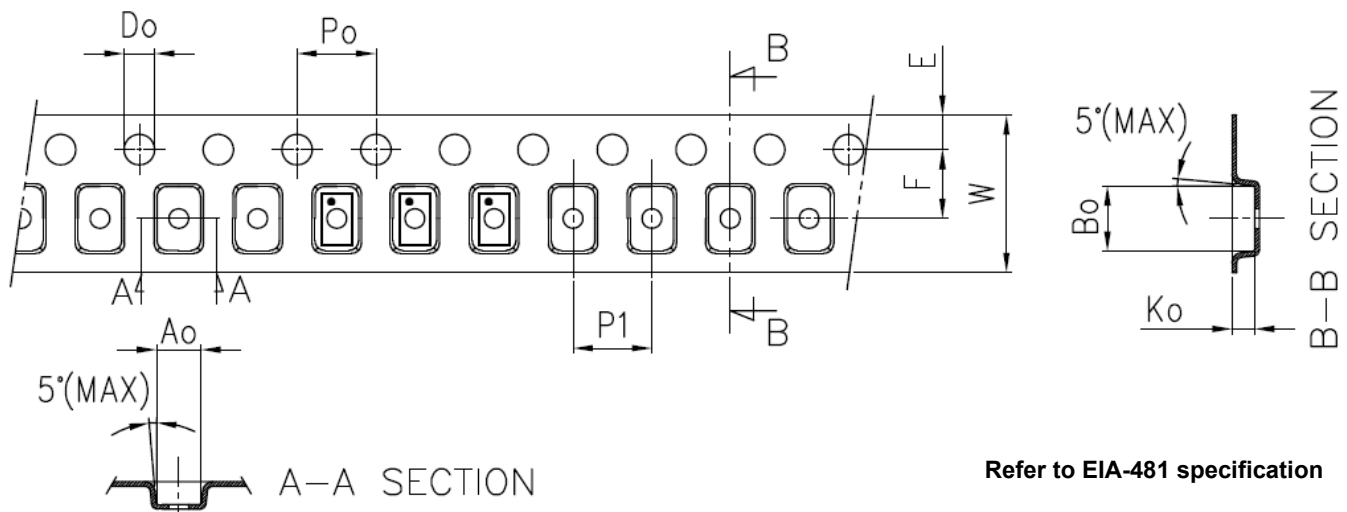
A 13.3 mΩ, 3.5 A, 125 °C-Rated, Load Switch
with 12 V / 24 V V_{IN} Lockout Select and MOSFET Current Monitor Output

Tape and Reel Specifications

Package Type	# of Pins	Nominal Package Size [mm]	Max Units		Reel & Hub Size [mm]	Leader (min)		Trailer (min)		Tape Width [mm]	Part Pitch [mm]
			per Reel	per Box		Pockets	Length [mm]	Pockets	Length [mm]		
STQFN 18L 1.6x3mm 0.4P FC Green	18	1.6 x 3 x 0.55	3,000	3,000	178 / 60	100	400	100	400	8	4

Carrier Tape Drawing and Dimensions

Package Type	Pocket BTM Length	Pocket BTM Width	Pocket Depth	Index Hole Pitch	Pocket Pitch	Index Hole Diameter	Index Hole to Tape Edge	Index Hole to Pocket Center	Tape Width
	A0	B0	K0	P0	P1	D0	E	F	W
STQFN 18L 1.6x3mm 0.4P FC Green	1.78	3.18	0.76	4	4	1.5	1.75	3.5	8



Recommended Reflow Soldering Profile

Please see IPC/JEDEC J-STD-020: latest revision for reflow profile based on package volume of 2.64 mm³ (nominal). More information can be found at www.jedec.org.

SLG59H1013V

A 13.3 mΩ, 3.5 A, 125 °C-Rated, Load Switch
with 12 V / 24 V V_{IN} Lockout Select and MOSFET Current Monitor Output

Revision History

Date	Version	Change
2/2/2022	1.04	Updated Company name and logo Added SOA Protection Threshold to Features Fixed typos
7/22/2021	1.03	Updated EC Table Updated EVB figure
12/12/2018	1.02	Updated style and formatting Updated Charts Updated Scopeshots Added Layout Guidelines Fixed typos
11/2/2017	1.01	Updated V_{IN} Max and $V_{IN(OVLO)}$ Min Fixed typos and formatting
5/13/2016	1.00	Production Release

IMPORTANT NOTICE AND DISCLAIMER

RENESAS ELECTRONICS CORPORATION AND ITS SUBSIDIARIES (“RENESAS”) PROVIDES TECHNICAL SPECIFICATIONS AND RELIABILITY DATA (INCLUDING DATASHEETS), DESIGN RESOURCES (INCLUDING REFERENCE DESIGNS), APPLICATION OR OTHER DESIGN ADVICE, WEB TOOLS, SAFETY INFORMATION, AND OTHER RESOURCES “AS IS” AND WITH ALL FAULTS, AND DISCLAIMS ALL WARRANTIES, EXPRESS OR IMPLIED, INCLUDING, WITHOUT LIMITATION, ANY IMPLIED WARRANTIES OF MERCHANTABILITY, FITNESS FOR A PARTICULAR PURPOSE, OR NON-INFRINGEMENT OF THIRD-PARTY INTELLECTUAL PROPERTY RIGHTS.

These resources are intended for developers who are designing with Renesas products. You are solely responsible for (1) selecting the appropriate products for your application, (2) designing, validating, and testing your application, and (3) ensuring your application meets applicable standards, and any other safety, security, or other requirements. These resources are subject to change without notice. Renesas grants you permission to use these resources only to develop an application that uses Renesas products. Other reproduction or use of these resources is strictly prohibited. No license is granted to any other Renesas intellectual property or to any third-party intellectual property. Renesas disclaims responsibility for, and you will fully indemnify Renesas and its representatives against, any claims, damages, costs, losses, or liabilities arising from your use of these resources. Renesas' products are provided only subject to Renesas' Terms and Conditions of Sale or other applicable terms agreed to in writing. No use of any Renesas resources expands or otherwise alters any applicable warranties or warranty disclaimers for these products.

(Disclaimer Rev.1.01 Jan 2024)

Corporate Headquarters

TOYOSU FORESIA, 3-2-24 Toyosu,
Koto-ku, Tokyo 135-0061, Japan
www.renesas.com

Trademarks

Renesas and the Renesas logo are trademarks of Renesas Electronics Corporation. All trademarks and registered trademarks are the property of their respective owners.

Contact Information

For further information on a product, technology, the most up-to-date version of a document, or your nearest sales office, please visit www.renesas.com/contact-us/.