

# SLG59M1470V

## 9.8 mΩ, Nanopower Mobile 6 A Load Switch with Discharge

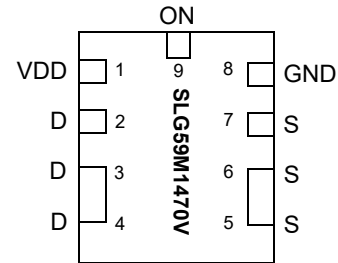
### General Description

The SLG59M1470V is a 9.8 mΩ, 6 A single-channel load switch that is able to switch 0.85 V to 3.3 V power rails. The product is packaged in an ultra-small 1.5 x 2.0 mm package.

### Features

- 1.5 x 2.0 mm FC-TDFN 9L package (2 fused pins for drain and 2 fused pins for source)
- Logic level ON pin capable of supporting 0.85 V CMOS Logic
- Discharged Load when off
- Fast Turn On time
- Low  $R_{DS(ON)}$  while supporting 6 A
- Pb-Free / Halogen-Free / RoHS compliant
- Operating Temperature: -40 °C to 85 °C
- Operating Voltage: 3.0 V to 5.25 V

### Pin Configuration

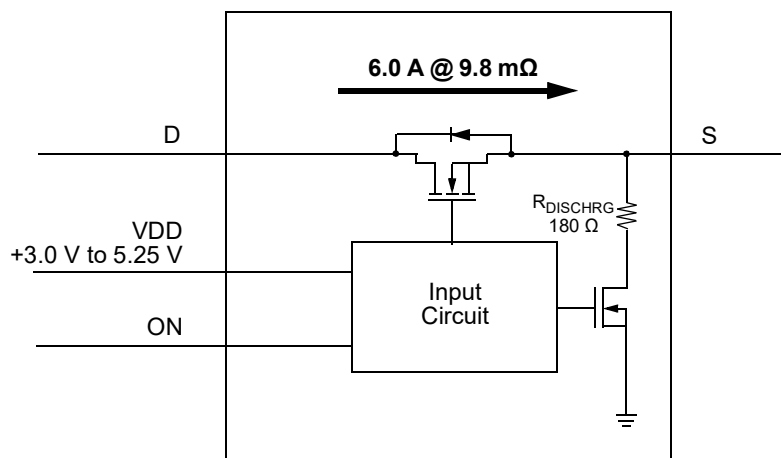


**9-pin FC-TDFN  
(Top View)**

### Applications

- Watch Power Rail Switching
- Tablet Power Rail Switching
- Smartphone Power Rail Switching
- Notebook Power Rail Switching

### Block Diagram



**RoHS Compliant  
Directive  
2002/95/EC**

## SLG59M1470V

9.8 mΩ, Nanopower Mobile  
6 A Load Switch with Discharge

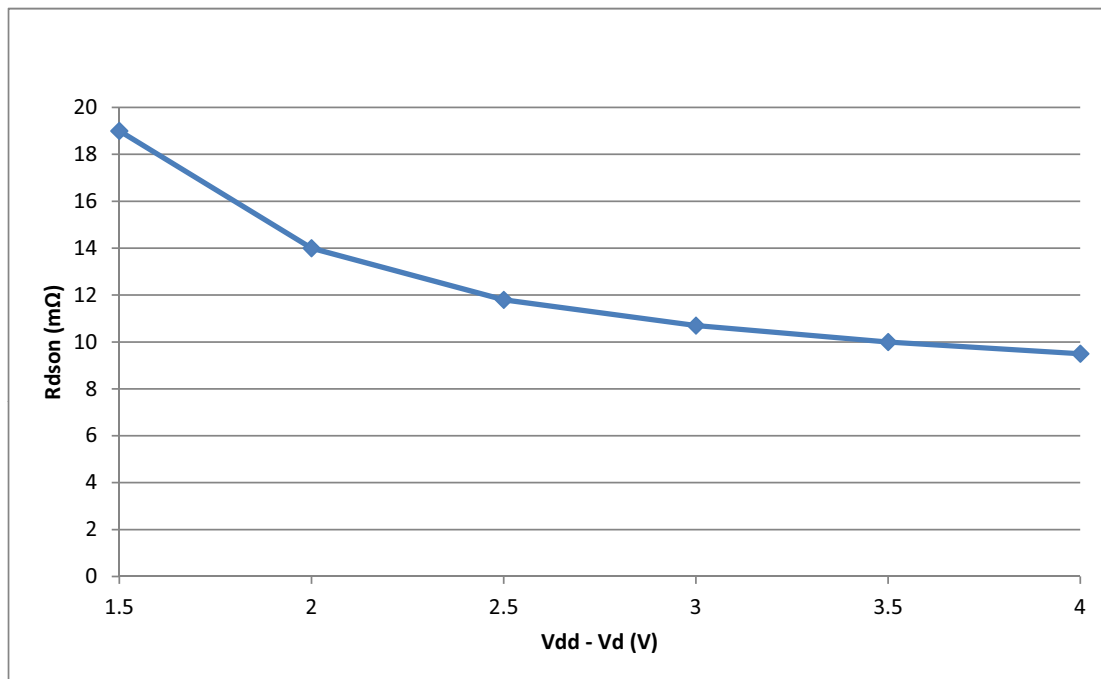
### Pin Description

Pin #	Pin Name	Type	Pin Description
1	VDD	PWR	VDD power for load switch control (3.0 V to 5.25 V)
2	D	MOSFET	Drain of Power MOSFET
3	D	MOSFET	Drain of Power MOSFET (fused with pin 4)
4	D	MOSFET	Drain of Power MOSFET (fused with pin 3)
5	S	MOSFET	Source of Power MOSFET (fused with pin 6)
6	S	MOSFET	Source of Power MOSFET (fused with pin 5)
7	S	MOSFET	Source of Power MOSFET
8	GND	GND	Ground
9	ON	Input	Turns MOSFET ON (4 MΩ pull down resistor) CMOS input with ON_V <sub>IL</sub> < 0.2 V, ON_V <sub>IH</sub> > 0.85 V

### Ordering Information

Part Number	Type	Production Flow
SLG59M1470V	FC-TDFN 9L	Industrial, -40 °C to 85 °C
SLG59M1470VTR	FC-TDFN 9L (Tape and Reel)	Industrial, -40 °C to 85 °C

### SLG59M1470V R<sub>DS(ON)</sub>



## SLG59M1470V

9.8 mΩ, Nanopower Mobile  
6 A Load Switch with Discharge

### Absolute Maximum Ratings

Parameter	Description	Conditions	Min.	Typ.	Max.	Unit
$V_{DD}$	Power Supply		--	--	7	V
$T_S$	Storage Temperature		-65	--	150	°C
$ESD_{HBM}$	ESD Protection	Human Body Model	2000	--	--	V
MSL	Moisture Sensitivity Level		1			
$W_{DIS}$	Package Power Dissipation		--	--	1.0	W
MOSFET $I_{DS_{PK}}$	Peak Current from Drain to Source	For no more than 1 ms with 1% duty cycle	--	--	9	A

Note: Stresses greater than those listed under "Absolute Maximum Ratings" may cause permanent damage to the device. This is a stress rating only and functional operation of the device at these or any other conditions above those indicated in the operational sections of this specification is not implied. Exposure to absolute maximum rating conditions for extended periods may affect reliability.

### Electrical Characteristics

$T_A = -40\text{ °C to }85\text{ °C}$  (unless otherwise noted)

Parameter	Description	Conditions	Min.	Typ.	Max.	Unit
$V_{DD}$	Power Supply Voltage	-40 °C to 85 °C	3.0	--	5.25	V
$I_{DD}$	Power Supply Current (PIN 1) <sup>1</sup>	when OFF, $T_A = 25\text{ °C}$	--	30	60	nA
		when ON, No load, $ON = V_{DD}$ , $T_A = 25\text{ °C}$	--	35	70	nA
		when OFF, $T_A = 70\text{ °C}$	--	100	900	nA
		when ON, No load, $ON = V_{DD}$ , $T_A = 70\text{ °C}$	--	200	900	nA
$R_{DS_{ON}}$	ON Resistance	$T_A = 25\text{ °C}$ ; $I_{DS} = 300\text{ mA}$ , $V_{DD} - V_D = 1.5\text{ V}$	--	16.2	18.6	mΩ
		$T_A = 25\text{ °C}$ ; $I_{DS} = 300\text{ mA}$ , $V_{DD} - V_D = 2.0\text{ V}$	--	11.5	13.2	mΩ
		$T_A = 25\text{ °C}$ ; $I_{DS} = 300\text{ mA}$ , $V_{DD} - V_D = 2.5\text{ V}$	--	9.5	10.9	mΩ
		$T_A = 25\text{ °C}$ ; $I_{DS} = 300\text{ mA}$ , $V_{DD} - V_D = 3.0\text{ V}$	--	8.5	9.8	mΩ
		$T_A = 25\text{ °C}$ ; $I_{DS} = 300\text{ mA}$ , $V_{DD} - V_D = 3.5\text{ V}$	--	7.9	9.1	mΩ
		$T_A = 25\text{ °C}$ ; $I_{DS} = 300\text{ mA}$ , $V_{DD} - V_D = 4.0\text{ V}$	--	7.4	8.5	mΩ
$R_{DS_{ON}}$	ON Resistance	$T_A = 70\text{ °C}$ ; $I_{DS} = 300\text{ mA}$ , $V_{DD} - V_D = 1.5\text{ V}$	--	19.2	22.1	mΩ
		$T_A = 70\text{ °C}$ ; $I_{DS} = 300\text{ mA}$ , $V_{DD} - V_D = 2.0\text{ V}$	--	14.1	16.2	mΩ
		$T_A = 70\text{ °C}$ ; $I_{DS} = 300\text{ mA}$ , $V_{DD} - V_D = 2.5\text{ V}$	--	11.7	13.5	mΩ
		$T_A = 70\text{ °C}$ ; $I_{DS} = 300\text{ mA}$ , $V_{DD} - V_D = 3.0\text{ V}$	--	10.5	12.1	mΩ
		$T_A = 70\text{ °C}$ ; $I_{DS} = 300\text{ mA}$ , $V_{DD} - V_D = 3.5\text{ V}$	--	9.7	11.2	mΩ
		$T_A = 70\text{ °C}$ ; $I_{DS} = 300\text{ mA}$ , $V_{DD} - V_D = 4.0\text{ V}$	--	9.2	10.6	mΩ
$R_{DS_{ON}}$	ON Resistance	$T_A = 85\text{ °C}$ ; $I_{DS} = 300\text{ mA}$ , $V_{DD} - V_D = 1.5\text{ V}$	--	24.96	28.73	mΩ
		$T_A = 85\text{ °C}$ ; $I_{DS} = 300\text{ mA}$ , $V_{DD} - V_D = 2.0\text{ V}$	--	18.33	21.06	mΩ
		$T_A = 85\text{ °C}$ ; $I_{DS} = 300\text{ mA}$ , $V_{DD} - V_D = 2.5\text{ V}$	--	15.21	17.55	mΩ
		$T_A = 85\text{ °C}$ ; $I_{DS} = 300\text{ mA}$ , $V_{DD} - V_D = 3.0\text{ V}$	--	13.65	15.73	mΩ
		$T_A = 85\text{ °C}$ ; $I_{DS} = 300\text{ mA}$ , $V_{DD} - V_D = 3.5\text{ V}$	--	12.61	14.56	mΩ
		$T_A = 85\text{ °C}$ ; $I_{DS} = 300\text{ mA}$ , $V_{DD} - V_D = 4.0\text{ V}$	--	11.96	13.78	mΩ
MOSFET $I_{DS}$	Current from D to S	Continuous	--	--	6	A
$V_D$	Drain Voltage		0.85	--	$V_{DD} - 1.5$	V

# SLG59M1470V

## 9.8 mΩ, Nanopower Mobile 6 A Load Switch with Discharge

### Electrical Characteristics (continued)

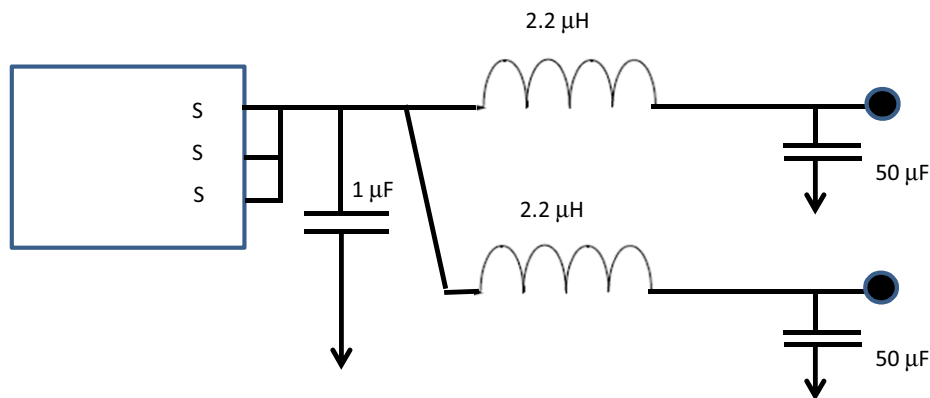
T<sub>A</sub> = -40 °C to 85 °C (unless otherwise noted)

Parameter	Description	Conditions	Min.	Typ.	Max.	Unit
T <sub>Total_ON</sub>	Total Turn On Time	50% ON to 90% V <sub>S</sub> , V <sub>DD</sub> = 5.25 V, V <sub>D</sub> = 1.0 V, C <sub>LOAD</sub> = 10 μF, R <sub>LOAD</sub> = 20 Ω	7	9	12	μs
		50% ON to 90% V <sub>S</sub> , V <sub>DD</sub> = 5.25 V, V <sub>D</sub> = 1.0 V, C <sub>LOAD</sub> = 2 μF, R <sub>LOAD</sub> = 20 Ω	8	10	12	μs
		50% ON to 90% V <sub>S</sub> , V <sub>DD</sub> = 5 V, V <sub>D</sub> = 1.0 V, C <sub>LOAD</sub> = 2 x (50 μF + 2.2 μH Inductor) <sup>2</sup>	30	42	50	μs
V <sub>S(SR)</sub>	V <sub>S</sub> Slew Rate	10% V <sub>S</sub> to 90% V <sub>S</sub> , V <sub>DD</sub> = 5.25 V, V <sub>D</sub> = 1.0 V, C <sub>LOAD</sub> = 10 μF, R <sub>LOAD</sub> = 20 Ω	130	160	190	V/ms
		10% V <sub>S</sub> to 90% V <sub>S</sub> , V <sub>DD</sub> = 5.25 V, V <sub>D</sub> = 1.0 V, C <sub>LOAD</sub> = 2 μF, R <sub>LOAD</sub> = 20 Ω	150	176	200	V/ms
		10% V <sub>S</sub> to 90% V <sub>S</sub> , V <sub>DD</sub> = 5 V, V <sub>D</sub> = 1.0 V, R <sub>LOAD</sub> = 20 Ω, C <sub>LOAD</sub> = 2 x (50 μF + 2.2 μH Inductor) <sup>2</sup>	20	26	35	V/ms
C <sub>LOAD</sub>	Output Load Capacitance	C <sub>LOAD</sub> connected from S to GND	--	--	10	μF
R <sub>DISCHRG</sub>	Discharge Resistance		100	180	300	Ω
ON_V <sub>IH</sub>	High Input Voltage on ON pin		0.85	--	V <sub>DD</sub>	V
ON_V <sub>IL</sub>	Low Input Voltage on ON pin		-0.3	0	0.2	V
T <sub>OFF_Delay</sub>	OFF Delay Time	50% ON to V <sub>S</sub> Fall Start ↓, V <sub>DD</sub> = 5.25 V, V <sub>D</sub> = 1.0 V, R <sub>LOAD</sub> = 20 Ω, no C <sub>LOAD</sub>	--	--	60	μs
T <sub>FALL</sub>	V <sub>S</sub> Fall Time	90% V <sub>S</sub> to 10% V <sub>S</sub> , V <sub>DD</sub> = 5.25 V, V <sub>D</sub> = 1.0 V, R <sub>LOAD</sub> = 20 Ω, no C <sub>LOAD</sub>	--	15	--	μs

Notes:

- Guaranteed by design and characterization
- See Application Diagram below regarding C<sub>LOAD</sub> = 2 x (50 μF + 2.2 μH).

### Application Diagram (Source loading > 10 μF)

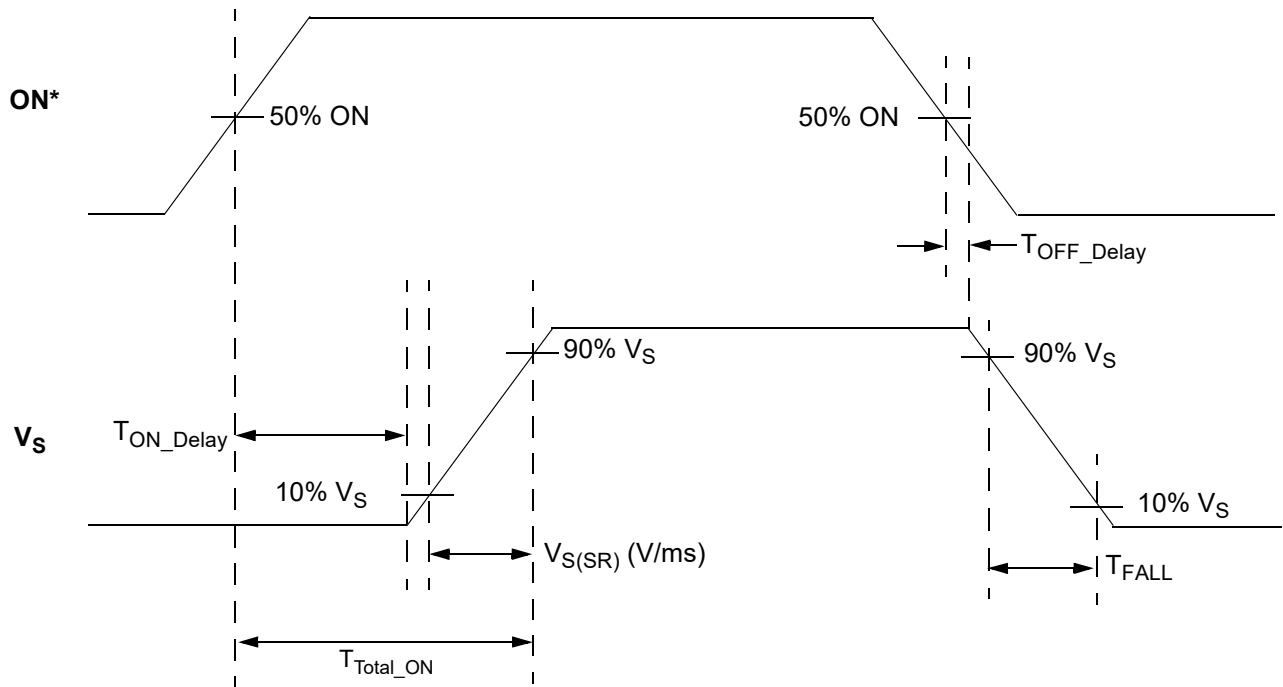


Capacitive loads > 10 μF directly on the S pin may result in nonlinear output ramping. In cases where > 10 μF load capacitance is required, we recommend decoupling the load(s) with 2.2 μH inductors while putting a 1 μF capacitor on S as shown above in order to guarantee linear ramping and inrush current limiting.

SLG59M1470V

9.8 mΩ, Nanopower Mobile  
6 A Load Switch with Discharge

$T_{Total\_ON}$ ,  $T_{ON\_Delay}$  and Slew Rate Measurement



\*Rise and Fall Times of the ON Signal are 100 ns

## SLG59M1470V

### 9.8 mΩ, Nanopower Mobile 6 A Load Switch with Discharge

#### Layout Guidelines:

1. The VDD pin needs a 0.1 μF and 10 μF external capacitors to smooth pulses from the power supply. Locate these capacitors as close as possible to the SLG59M1470V's PIN1.
2. Since the D and S pins dissipate most of the heat generated during high-load current operation, it is highly recommended to make power traces as short, direct, and wide as possible. A good practice is to make power traces with absolute minimum widths of 15 mils (0.381 mm) per Ampere. A representative layout, shown in [Figure 1](#), illustrates proper techniques for heat to transfer as efficiently as possible out of the device;
3. To minimize the effects of parasitic trace inductance on normal operation, it is recommended to connect input C<sub>IN</sub> and output C<sub>LOAD</sub> low-ESR capacitors as close as possible to the SLG59M1470V's D and S pins;
4. The GND pin should be connected to system analog or power ground plane.
5. 2 oz. copper is recommended for high current operation.

#### SLG59M1470V Evaluation Board:

A GreenFET Evaluation Board for SLG59M1470V is designed according to the statements above and is illustrated on [Figure 1](#). Please note that evaluation board has D\_Sense and S\_Sense pads. They cannot carry high currents and dedicated only for RDS<sub>ON</sub> evaluation.

Please solder your SLG59M1470V here

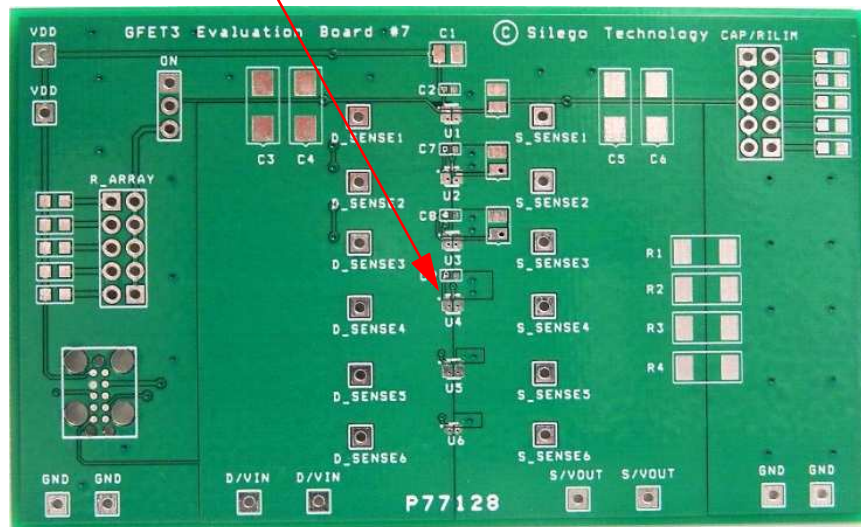


Figure 1. SLG59M1470V Evaluation Board

SLG59M1470V

9.8 mΩ, Nanopower Mobile  
6 A Load Switch with Discharge

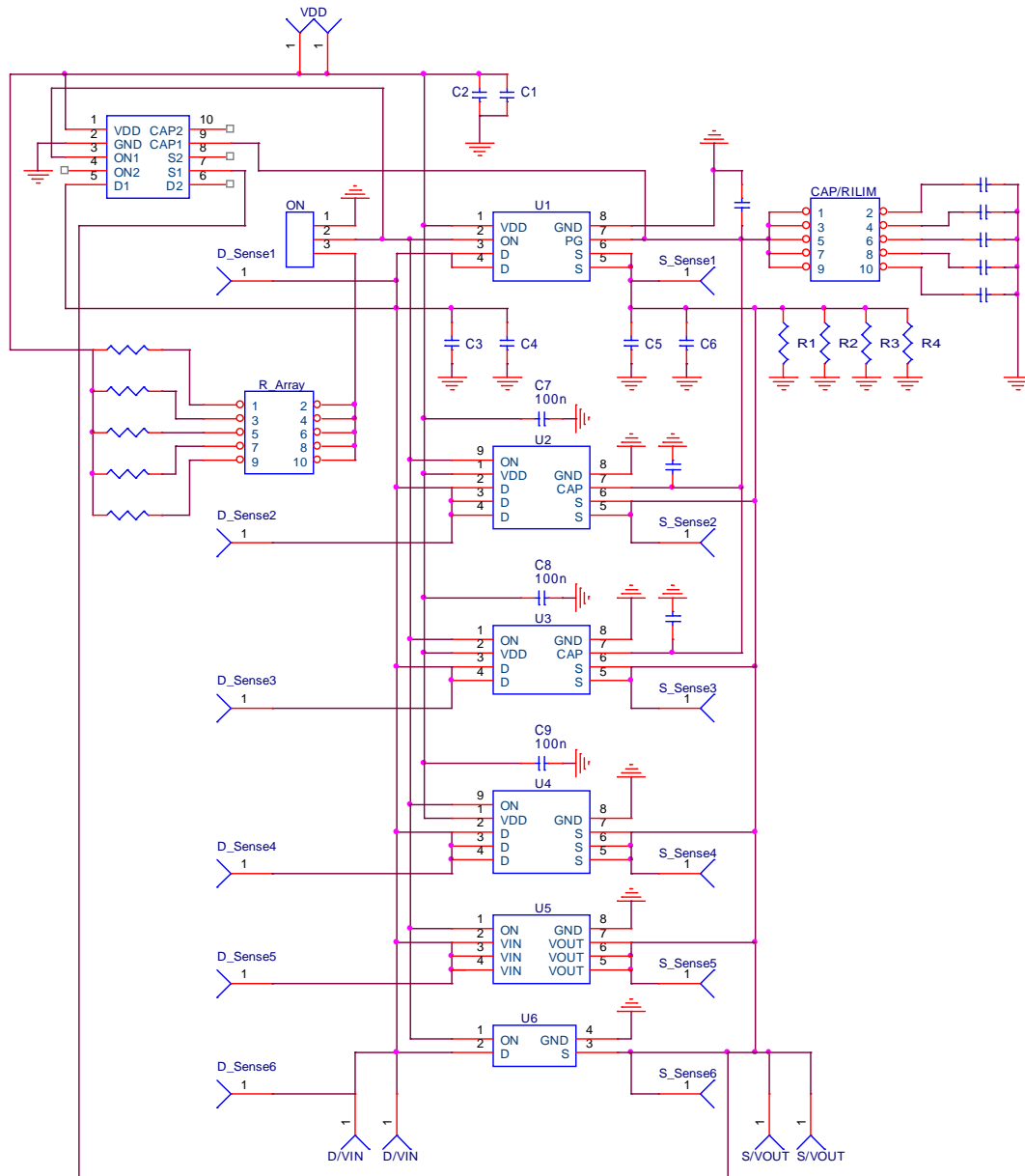


Figure 2. SLG59M1470V Evaluation Board Connection Circuit

# SLG59M1470V

9.8 mΩ, Nanopower Mobile  
6 A Load Switch with Discharge

## Basic Test Setup and Connections

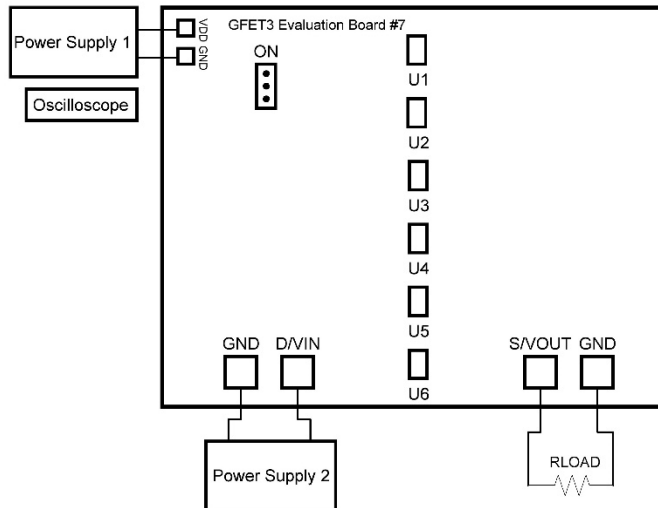
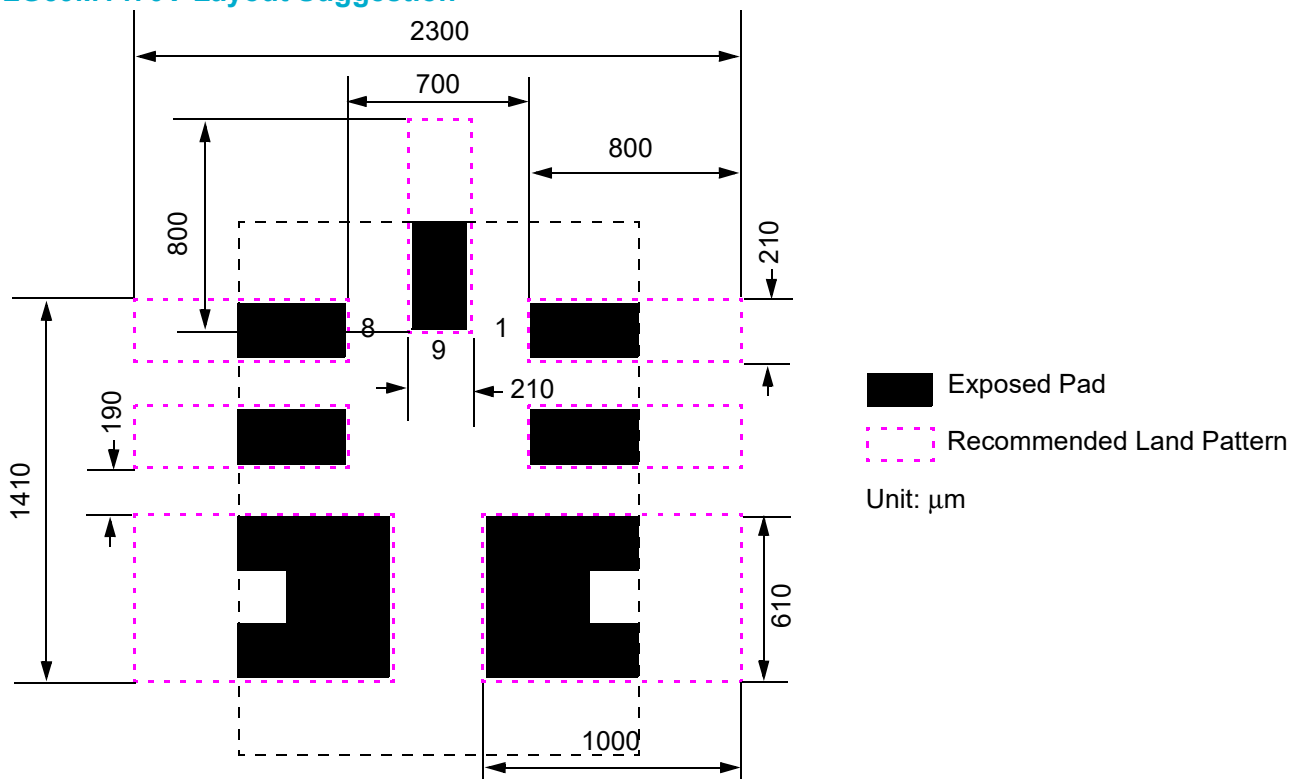


Figure 3. SLG59M1470V Evaluation Board Connection Circuit

### EVB Configuration

1. Connect oscilloscope probes to D/VIN, S/VOUT, ON, etc.;
2. Turn on Power Supply 1 and set desired  $V_{DD}$  from 3 V...5.25 V range;
3. Turn on Power Supply 2 and set desired  $V_D$  from 0.85 V... $V_{DD} - 1.5$  V range;
4. Toggle the ON signal High or Low to observe SLG59M1470V operation.

### SLG59M1470V Layout Suggestion

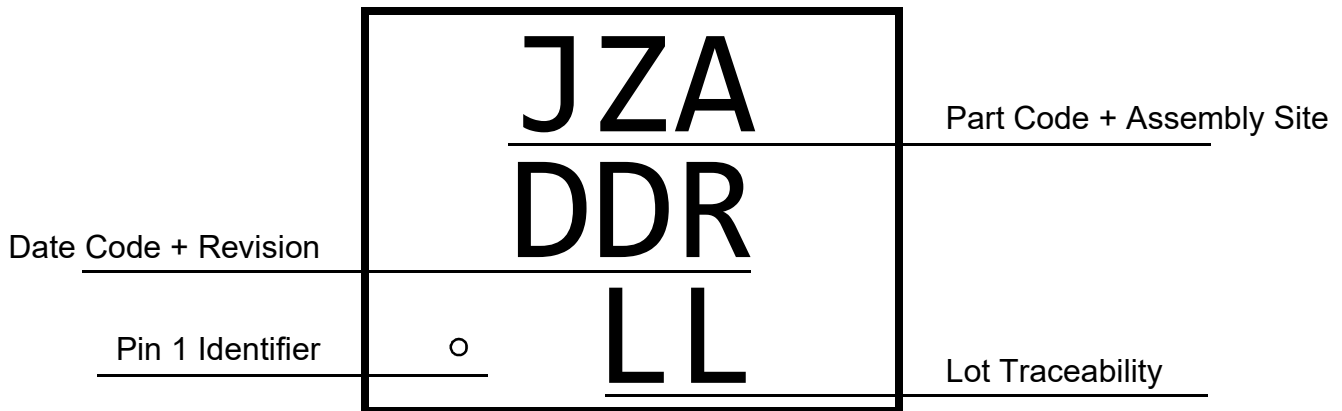




## SLG59M1470V

9.8 mΩ, Nanopower Mobile  
6 A Load Switch with Discharge

### Package Top Marking System Definition



JZ - Part Code<sup>1</sup>  
 A - Assembly Site Code Field<sup>2</sup>  
 DD - Date Code Field<sup>1</sup>  
 R - Part Revision Code Field<sup>2</sup>  
 LL - Lot Traceability Field<sup>1</sup>

Note 1: Each character in code field can be alphanumeric A-Z and 0-9

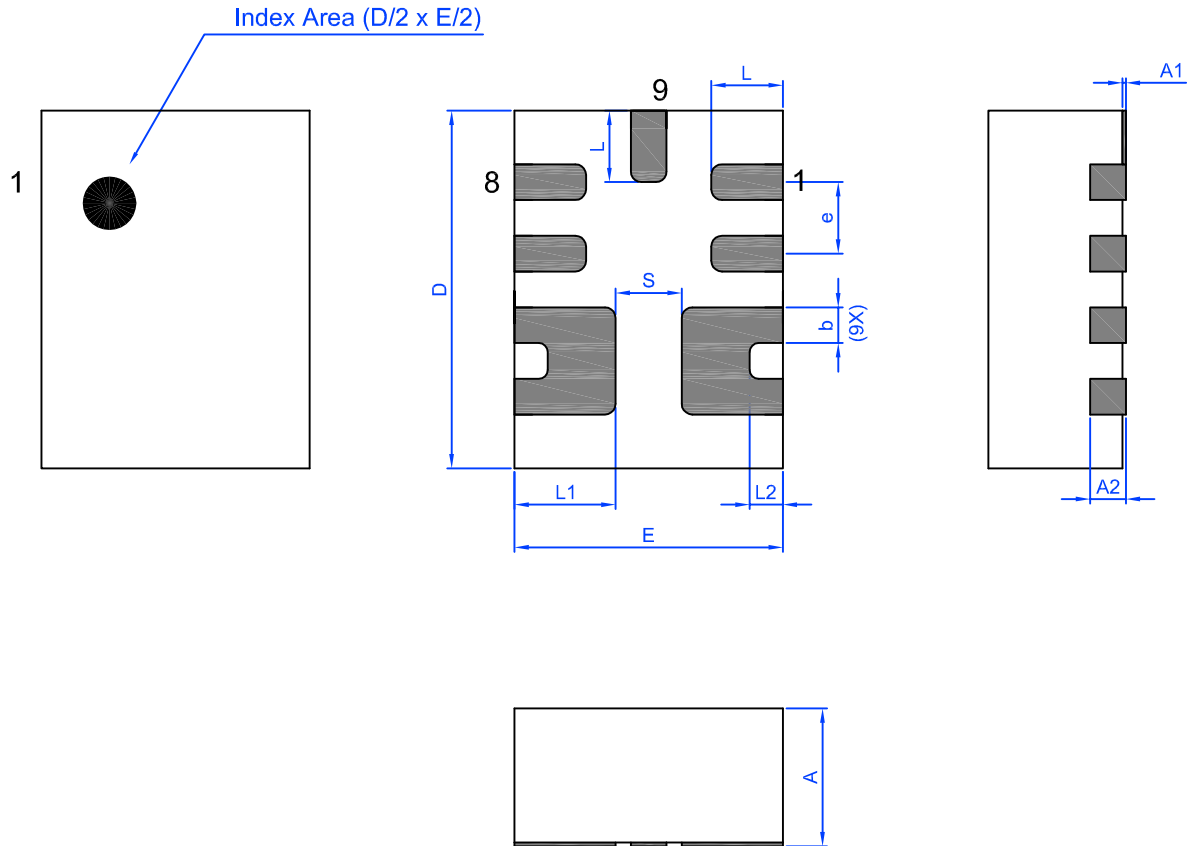
Note 2: Character in code field can be alphabetic A-Z

# SLG59M1470V

9.8 mΩ, Nanopower Mobile  
6 A Load Switch with Discharge

## Package Drawing and Dimensions

9 Lead TDFN FC Package 1.5 x 2.0 mm (Fused Lead)  
JEDEC MO-252, Variation W2015D



Unit: mm

Symbol	Min	Nom.	Max	Symbol	Min	Nom.	Max
A	0.70	0.75	0.80	L	0.35	0.40	0.45
A1	0.005	-	0.060	L1	0.515	0.565	0.615
A2	0.15	0.20	0.25	L2	0.135	0.185	0.235
b	0.15	0.20	0.25	e	0.40 BSC		
D	1.95	2.00	2.05	S	0.37 REF		
E	1.45	1.50	1.55				

## SLG59M1470V

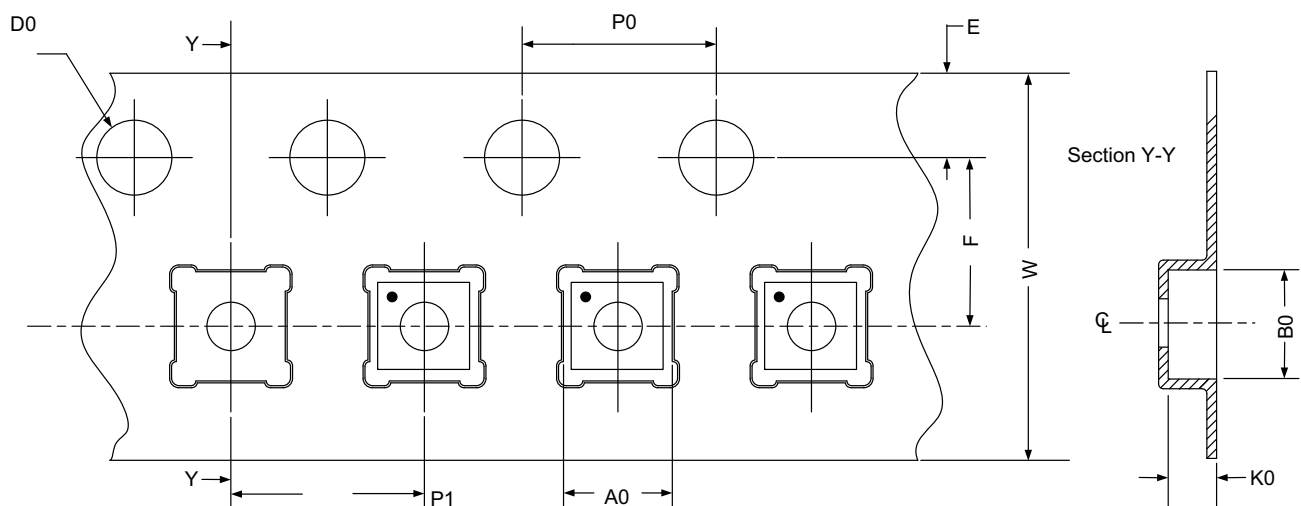
9.8 mΩ, Nanopower Mobile  
6 A Load Switch with Discharge

### Tape and Reel Specifications

Package Type	# of Pins	Nominal Package Size [mm]	Max Units		Reel & Hub Size [mm]	Leader (min)		Trailer (min)		Tape Width [mm]	Part Pitch [mm]
			per Reel	per Box		Pockets	Length [mm]	Pockets	Length [mm]		
TDFN 9L FC Green	9	1.5 x 2.0 x 0.75	3000	3000	178 / 60	100	400	100	400	8	4

### Carrier Tape Drawing and Dimensions

Package Type	Pocket BTM Length	Pocket BTM Width	Pocket Depth	Index Hole Pitch	Pocket Pitch	Index Hole Diameter	Index Hole to Tape Edge	Index Hole to Pocket Center	Tape Width
	A0	B0	K0	P0	P1	D0	E	F	W
TDFN 9L FC Green	1.68	2.18	0.9	4	4	1.5	1.75	3.5	8



Refer to EIA-481 specification

### Recommended Reflow Soldering Profile

Please see IPC/JEDEC J-STD-020: latest revision for reflow profile based on package volume of 2.25 mm<sup>3</sup> (nominal). More information can be found at [www.jedec.org](http://www.jedec.org).

## SLG59M1470V

9.8 mΩ, Nanopower Mobile  
6 A Load Switch with Discharge

### Revision History

Date	Version	Change
2/2/2022	1.28	Updated Company name and logo Fixed typos
1/29/2019	1.27	Updated style and formatting Added Layout Guidelines Fixed typos
10/5/2016	1.26	Updated $T_{Total\_ON}$ , $V_{OUT(SR)}$ , $T_{OFF\_Delay}$ , $T_{FALL}$ specs Updated Application Diagram Notes Updated Formating and Parameter Names for clarity
4/26/2016	1.25	Added MSL 1 Added Part Code Marking Information
9/04/2015	1.24	Fixed $T_A$ conditions in Electrical Characteristics

## IMPORTANT NOTICE AND DISCLAIMER

RENESAS ELECTRONICS CORPORATION AND ITS SUBSIDIARIES (“RENESAS”) PROVIDES TECHNICAL SPECIFICATIONS AND RELIABILITY DATA (INCLUDING DATASHEETS), DESIGN RESOURCES (INCLUDING REFERENCE DESIGNS), APPLICATION OR OTHER DESIGN ADVICE, WEB TOOLS, SAFETY INFORMATION, AND OTHER RESOURCES “AS IS” AND WITH ALL FAULTS, AND DISCLAIMS ALL WARRANTIES, EXPRESS OR IMPLIED, INCLUDING, WITHOUT LIMITATION, ANY IMPLIED WARRANTIES OF MERCHANTABILITY, FITNESS FOR A PARTICULAR PURPOSE, OR NON-INFRINGEMENT OF THIRD-PARTY INTELLECTUAL PROPERTY RIGHTS.

These resources are intended for developers who are designing with Renesas products. You are solely responsible for (1) selecting the appropriate products for your application, (2) designing, validating, and testing your application, and (3) ensuring your application meets applicable standards, and any other safety, security, or other requirements. These resources are subject to change without notice. Renesas grants you permission to use these resources only to develop an application that uses Renesas products. Other reproduction or use of these resources is strictly prohibited. No license is granted to any other Renesas intellectual property or to any third-party intellectual property. Renesas disclaims responsibility for, and you will fully indemnify Renesas and its representatives against, any claims, damages, costs, losses, or liabilities arising from your use of these resources. Renesas' products are provided only subject to Renesas' Terms and Conditions of Sale or other applicable terms agreed to in writing. No use of any Renesas resources expands or otherwise alters any applicable warranties or warranty disclaimers for these products.

(Disclaimer Rev.1.01 Jan 2024)

### Corporate Headquarters

TOYOSU FORESIA, 3-2-24 Toyosu,  
Koto-ku, Tokyo 135-0061, Japan  
[www.renesas.com](http://www.renesas.com)

### Trademarks

Renesas and the Renesas logo are trademarks of Renesas Electronics Corporation. All trademarks and registered trademarks are the property of their respective owners.

### Contact Information

For further information on a product, technology, the most up-to-date version of a document, or your nearest sales office, please visit [www.renesas.com/contact-us/](http://www.renesas.com/contact-us/).