

## Brief Description

The ZSPM9010 DrMOS is a fully optimized, ultra-compact, integrated MOSFET plus driver power stage solution for high-current, high-frequency, synchronous buck DC-DC applications. The ZSPM9010 incorporates a driver IC, two power MOSFETs, and a bootstrap Schottky diode in a thermally enhanced, ultra-compact PQFN40 package (6mmx6mm).

With an integrated approach, the ZSPM9010's complete switching power stage is optimized for driver and MOSFET dynamic performance, system inductance, and power MOSFET  $R_{DS(ON)}$ . It uses innovative high-performance MOSFET technology, which dramatically reduces switch ringing, eliminating the snubber circuit in most buck converter applications.

An innovative driver IC with reduced dead times and propagation delays further enhances performance. A thermal warning function (THWN) warns of potential over-temperature situations. The ZSPM9010 also incorporates features such as Skip Mode (SMOD) for improved light-load efficiency with a tri-state 3.3V pulse-width modulation (PWM) input for compatibility with a wide range of PWM controllers.

The ZSPM9010 DrMOS is compatible with IDT's ZSPM1000, a leading-edge configurable digital power-management system controller for non-isolated point-of-load (POL) supplies.

## Benefits

- Fully optimized system efficiency: >93% peak
- Clean switching waveforms with minimal ringing
- 72% space-saving compared to conventional discrete solutions
- Optimized for use with IDT's ZSPM1000 true digital PWM controller

## Features

- Based on the Intel® 4.0 DrMOS standard
- High-current handling: up to 50A
- High-performance copper-clip package
- Tri-state 3.3V PWM input driver
- Skip Mode (low-side gate turn-off) input (SMOD#)
- Warning flag for over-temperature conditions
- Driver output disable function (DISB# pin)
- Internal pull-up and pull-down for SMOD# and DISB# inputs, respectively
- Integrated Schottky diode technology in the low-side MOSFET
- Integrated bootstrap Schottky diode
- Adaptive gate drive timing for shoot-through protection
- Under-voltage lockout (UVLO)
- Optimized for switching frequencies up to 1MHz

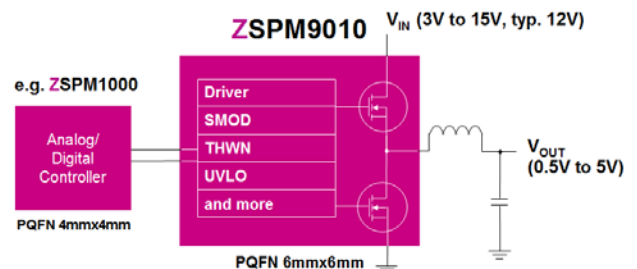
## Available Support

- ZSPM8010-KIT: Open-Loop Evaluation Board for ZSPM9010

## Physical Characteristics

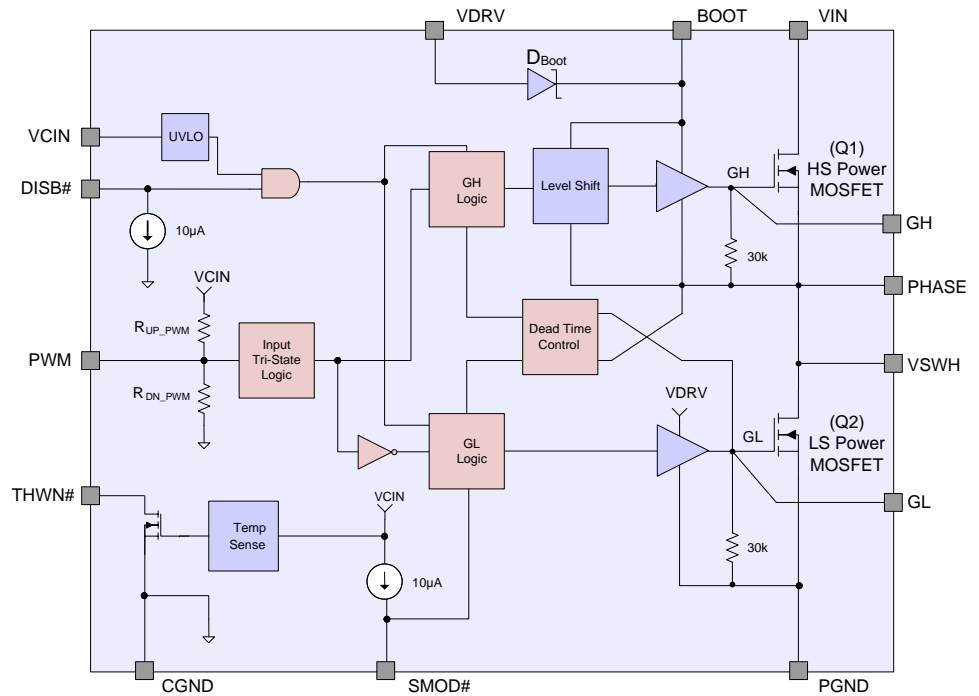
- Operation temperature: -40°C to +125°C
- $V_{IN}$ : 3V to 15V (typical 12V)
- $I_{OUT}$ : 40A (average), 50A (maximum)
- Low-profile SMD package: 6mmx6mm PQFN40
- IDT green packaging and RoHS compliant

## Typical Application



**ZSPM9010 Block Diagram**

- Typical Applications**
- Telecom switches
  - Servers and storage
  - Desktop computers
  - Workstations
  - High-performance gaming motherboards
  - Base stations
  - Network routers
  - Industrial applications



**Ordering Information**

Product Sales Code	Description	Package
ZSPM9010ZA1R	ZSPM9010 Lead-Free PQFN40 — Temperature range: -40°C to +125°C	Reel
ZSPM8010-KIT	Open-Loop Evaluation Board for ZSPM9010	Kit

## Contents

1	IC Characteristics .....	5
1.1.	Absolute Maximum Ratings .....	5
1.2.	Recommended Operating Conditions .....	6
1.3.	Electrical Parameters .....	6
1.4.	Typical Performance Characteristics .....	9
2	Functional Description .....	14
2.1.	VDRV and Disable (DISB#) .....	15
2.2.	Thermal Warning Flag (THWN#) .....	16
2.3.	Tri-State PWM Input .....	16
2.4.	Adaptive Gate Drive Circuit .....	18
2.5.	Skip Mode (SMOD#) .....	18
2.6.	PWM .....	20
3	Application Design .....	21
3.1.	Supply Capacitor Selection .....	21
3.2.	Bootstrap Circuit .....	21
3.3.	VCIN Filter .....	21
3.4.	Power Loss and Efficiency Testing Procedures .....	22
4	Pin Configuration and Package .....	24
4.1.	Available Packages .....	24
4.2.	Pin Description .....	25
4.3.	Package Dimensions .....	26
5	Circuit Board Layout Considerations .....	27
6	Ordering Information .....	28
7	Related Documents .....	29
8	Document Revision History .....	29

## List of Figures

Figure 1.1	Safe Operating Area .....	9
Figure 1.2	Module Power Loss vs. Output Current .....	9
Figure 1.3	Power Loss vs. Switching Frequency .....	9
Figure 1.4	Power Loss vs. Input Voltage .....	9
Figure 1.5	Power Loss vs. Driver Supply Voltage .....	10
Figure 1.6	Power Loss vs. Output Voltage .....	10
Figure 1.7	Power Loss vs. Output Inductance .....	10
Figure 1.8	Driver Supply Current vs. Frequency .....	10
Figure 1.9	Driver Supply Current vs. Driver Supply Voltage .....	11

Figure 1.10	Driver Supply Current vs. Output Current.....	11
Figure 1.11	PWM Thresholds vs. Driver Supply Voltage.....	11
Figure 1.12	PWM Thresholds vs. Temperature.....	11
Figure 1.13	SMOD# Thresholds vs. Driver Supply Voltage.....	12
Figure 1.14	SMOD# Thresholds vs. Temperature.....	12
Figure 1.15	SMOD# Pull-Up Current vs. Temperature.....	12
Figure 1.16	Disable Thresholds vs. Driver Supply Voltage.....	12
Figure 1.17	Disable Thresholds vs. Temperature.....	13
Figure 1.18	Disable Pull-Down Current vs. Temperature.....	13
Figure 2.1	Typical Application Circuit with PWM Control.....	14
Figure 2.2	ZSPM9010 Block Diagram.....	15
Figure 2.3	Thermal Warning Flag (THWN) Operation.....	16
Figure 2.4	PWM and Tri-State Timing Diagram.....	17
Figure 2.5	SMOD# Timing Diagram.....	19
Figure 2.6	PWM Timing.....	20
Figure 3.1	Power Loss Measurement Block Diagram.....	21
Figure 3.2	V <sub>CIN</sub> Filter Block Diagram.....	22
Figure 4.1	Pin-out PQFN40 Package.....	24
Figure 4.2	PQFN40 Physical Dimensions and Recommended Footprint.....	26
Figure 5.1	PCB Layout Example.....	28

**List of Tables**

Table 2.1	UVLO and Disable Logic.....	15
Table 2.2	SMOD# Logic.....	19

# 1 IC Characteristics

## 1.1. Absolute Maximum Ratings

The absolute maximum ratings are stress ratings only. The device might not function or be operable above the recommended operating conditions. Stresses exceeding the absolute maximum ratings might also damage the device. In addition, extended exposure to stresses above the recommended operating conditions might affect device reliability. IDT does not recommend designing to the “Absolute Maximum Ratings.”

PARAMETER	SYMBOL	CONDITIONS	MIN	MAX	UNITS
Maximum Voltage to CGND – VCIN, VDRV, DISB#, PWM, SMOD#, GL, THWN# pins			-0.3	6.0	V
Maximum Voltage to PGND or CGND – VIN pin			-0.3	25.0	V
Maximum Voltage to VSWH or PHASE – BOOT, GH pins			-0.3	6.0	V
Maximum Voltage to CGND – BOOT, PHASE, GH pins			-0.3	25.0	V
Maximum Voltage to CGND or PGND – VSWH pin		DC only	-0.3	25.0	V
Maximum Voltage to PGND – VSWH pin		< 20ns	-8.0	25.0	V
Maximum Voltage to VDRV – BOOT pin				22.0	V
Maximum Sink Current – THWN# pin	$I_{THWN\#}$		-0.1	7.0	mA
Maximum Average Output Current <sup>1)</sup>	$I_{OUT(AV)}$	$f_{SW}=300kHz, V_{IN}=12V, V_{OUT}=1.0V$		50	A
		$f_{SW}=1MHz, V_{IN}=12V, V_{OUT}=1.0V$		45	A
Junction-to-PCB Thermal Resistance	$\theta_{JPCB}$			3.5	°C/W
Ambient Temperature Range	$T_{AMB}$		-40	+125	°C
Maximum Junction Temperature	$T_{JMAX}$			+150	°C
Storage Temperature Range	$T_{STOR}$		-55	+150	°C
Electrostatic Discharge Protection	ESD	Human Body Model, JESD22-A114	2000		V
		Charged Device Model, JESD22-C101	1000		V
<sup>1)</sup> $I_{OUT(AV)}$ is rated using a DrMOS Evaluation Board, $T_{AMB} = 25^{\circ}C$ , natural convection cooling. This rating is limited by the peak DrMOS temperature, $T_{JMAX} = 150^{\circ}C$ , and varies depending on operating conditions, PCB layout, and PCB board to ambient thermal resistance.					

## 1.2. Recommended Operating Conditions

The “Recommended Operating Conditions” table defines the conditions for actual device operation. Recommended operating conditions are specified to ensure optimal performance to the datasheet specifications. IDT does not recommend exceeding them or designing to the “Absolute Maximum Ratings.”

PARAMETER	SYMBOL	CONDITIONS	MIN	TYP	MAX	UNITS
Control Circuit Supply Voltage	$V_{CIN}$		4.5	5.0	5.5	V
Gate Drive Circuit Supply Voltage	$V_{DRV}$		4.5	5.0	5.5	V
Output Stage Supply Voltage	$V_{IN}$		3.0	12.0	15.0	V

## 1.3. Electrical Parameters

Typical values are  $V_{IN} = 12V$ ,  $V_{DRV} = 12V$ , and  $T_{AMB} = +25^{\circ}C$  unless otherwise noted.

PARAMETER	SYMBOL	CONDITIONS	MIN	TYP	MAX	UNITS
<b>Basic Operation</b>						
Quiescent Current	$I_Q$	$I_Q = I_{VCIN} + I_{VDRV}$ , PWM=LOW or HIGH or float			2	mA
<b>Under-Voltage Lock-Out</b>						
UVLO Threshold	UVLO	VCIN rising	2.9	3.1	3.3	V
UVLO Hysteresis	UVLO_Hyst			0.4		V
<b>PWM Input</b>						
Pull-Up Impedance	$R_{UP\_PWM}$	( $V_{CIN} = V_{DRV} = 5V \pm 10\%$ )		26		k $\Omega$
Pull-Down Impedance	$R_{DN\_PWM}$	( $V_{CIN} = V_{DRV} = 5V \pm 10\%$ )		12		k $\Omega$
PWM High-Level Voltage	$V_{IH\_PWM}$	( $V_{CIN} = V_{DRV} = 5V \pm 10\%$ )	1.88	2.25	2.61	V
		( $V_{CIN} = V_{DRV} = 5V \pm 5\%$ )	2.00	2.25	2.50	V
Tri-state Upper Threshold	$V_{TRI\_HI}$	( $V_{CIN} = V_{DRV} = 5V \pm 10\%$ )	1.84	2.20	2.56	V
		( $V_{CIN} = V_{DRV} = 5V \pm 5\%$ )	1.94	2.20	2.46	V
Tri-state Lower Threshold	$V_{TRI\_LO}$	( $V_{CIN} = V_{DRV} = 5V \pm 10\%$ )	0.70	0.95	1.19	V
		( $V_{CIN} = V_{DRV} = 5V \pm 5\%$ )	0.75	0.95	1.15	V
PWM Low-Level Voltage	$V_{IL\_PWM}$	( $V_{CIN} = V_{DRV} = 5V \pm 10\%$ )	0.62	0.85	1.13	V
		( $V_{CIN} = V_{DRV} = 5V \pm 5\%$ )	0.66	0.85	1.09	V
Tri-state Shutoff Time	$t_{D\_HOLD-OFF}$			160	200	ns
Tri-state Open Voltage	$V_{HIz\_PWM}$	( $V_{CIN} = V_{DRV} = 5V \pm 10\%$ )	1.40	1.60	1.90	V
		( $V_{CIN} = V_{DRV} = 5V \pm 5\%$ )	1.45	1.60	1.80	V

PARAMETER	SYMBOL	CONDITIONS	MIN	TYP	MAX	UNITS
<b>DISB# Input</b>						
High-Level Input Voltage	$V_{IH\_DISB\#}$		2			V
Low-Level Input Voltage	$V_{IL\_DISB\#}$				0.8	V
Pull-Down Current	$I_{PLD}$			10		$\mu$ A
Propagation Delay DISB#, GL Transition from HIGH to LOW	$t_{PD\_DISBL}$	PWM=GND, LSE=1		25		ns
Propagation Delay DISB#, GL Transition from LOW to HIGH	$t_{PD\_DISBH}$	PWM=GND, LSE=1		25		ns
<b>SMOD# Input</b>						
High-Level Input Voltage	$V_{IH\_SMOD\#}$		2			V
Low-Level Input Voltage	$V_{IL\_SMOD\#}$				0.8	V
Pull-Up Current	$I_{PLU}$			10		$\mu$ A
Propagation Delay SMOD#, GL Transition from HIGH to LOW	$t_{PD\_SLGLL}$	PWM=GND, DISB#=1		10		ns
Propagation Delay SMOD#, GL Transition from LOW to HIGH	$t_{PD\_SHGLH}$	PWM=GND, DISB#=1		10		ns
<b>Thermal Warning Flag</b>						
Activation Temperature	$T_{ACT}$			150		$^{\circ}$ C
Reset Temperature	$T_{RST}$			135		$^{\circ}$ C
Pull-Down Resistance	$R_{THWN}$	$I_{PLD}=5\text{mA}$		30		$\Omega$
<b>250ns Timeout Circuit</b>						
Timeout Delay Between GH Transition from HIGH to LOW and GL Transition from LOW to HIGH	$t_{D\_TIMEOUT}$	SW=0V		250		ns

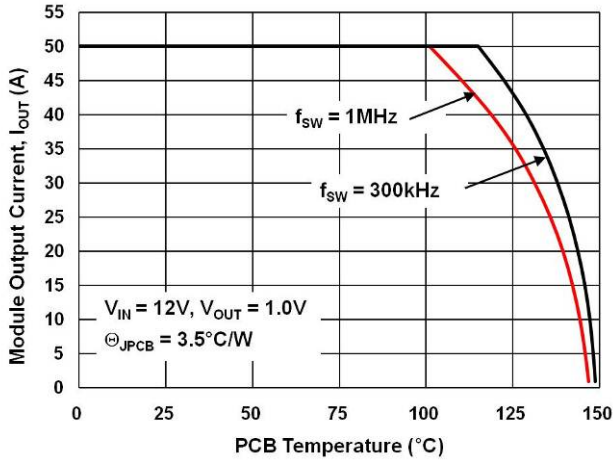
PARAMETER	SYMBOL	CONDITIONS	MIN	TYP	MAX	UNITS
<b>High-Side Driver</b>						
Output Impedance, Sourcing	R <sub>SOURCE_GH</sub>	Source Current=100mA		1		Ω
Output Impedance, Sinking	R <sub>SINK_GH</sub>	Sink Current=100mA		0.8		Ω
Rise Time for GH=10% to 90%	t <sub>R_GH</sub>			6		ns
Fall Time for GH=90% to 10%	t <sub>F_GH</sub>			5		ns
LS to HS Deadband Time: GL going LOW to GH going HIGH, 1V GL to 10% GH	t <sub>D_DEADON</sub>			10		ns
PWM LOW Propagation Delay: PWM going LOW to GH going LOW, V <sub>IL_PWM</sub> to 90% GH	t <sub>PD_PLGHL</sub>			16	30	ns
PWM HIGH Propagation Delay with SMOD# Held LOW: PWM going HIGH to GH going HIGH, V <sub>IH_PWM</sub> to 10% GH	t <sub>PD_PHGHH</sub>	SMOD# = LOW		30		ns
Propagation Delay Exiting Tri-state: PWM (from Tri-state) going HIGH to GH going HIGH, V <sub>IH_PWM</sub> to 10% GH	t <sub>PD_TSGHH</sub>			30		ns
<b>Low-Side Driver</b>						
Output Impedance, Sourcing	R <sub>SOURCE_GL</sub>	Source Current=100mA		1		Ω
Output Impedance, Sinking	R <sub>SINK_GL</sub>	Sink Current=100mA		0.5		Ω
Rise Time for GL = 10% to 90%	t <sub>R_GL</sub>			20		ns
Fall Time for GL = 90% to 10%	t <sub>F_GL</sub>			13		ns
HS to LS Deadband Time: SW going LOW to GL going HIGH, 2.2V SW to 10% GL	t <sub>D_DEADOFF</sub>			12		ns
PWM-HIGH Propagation Delay: PWM going HIGH to GL going LOW, V <sub>IH_PWM</sub> to 90% GL	t <sub>PD_PHGLL</sub>			9	25	ns
Propagation Delay Exiting Tri-state: PWM (from Tri-state) going LOW to GL going HIGH, V <sub>IL_PWM</sub> to 10% GL	t <sub>PD_TSGLH</sub>			20		ns
<b>Boot Diode</b>						
Forward-Voltage Drop	V <sub>F</sub>	I <sub>F</sub> =10mA		0.35		V
Breakdown Voltage	V <sub>R</sub>	I <sub>R</sub> =1mA	22			V



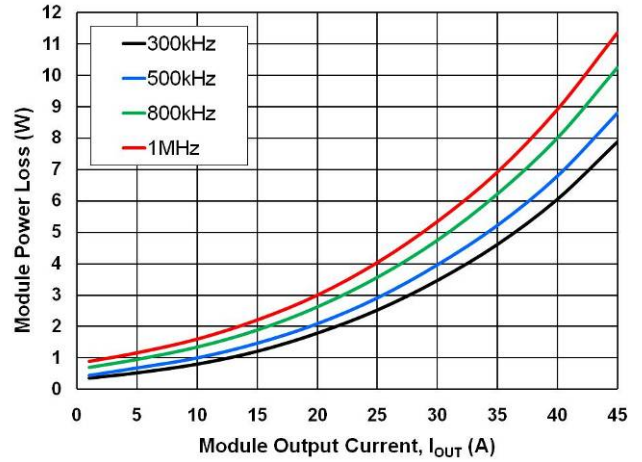
### 1.4. Typical Performance Characteristics

Test conditions:  $V_{IN}=12V$ ,  $V_{OUT}=1.0V$ ,  $V_{CIN}=5V$ ,  $V_{DRV}=5V$ ,  $L_{OUT}=320nH$ ,  $T_{AMB}=25^{\circ}C$ , and natural convection cooling, unless otherwise specified.

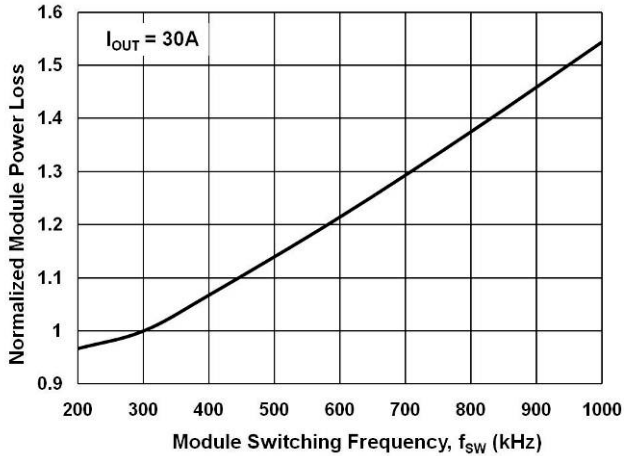
**Figure 1.1 Safe Operating Area**



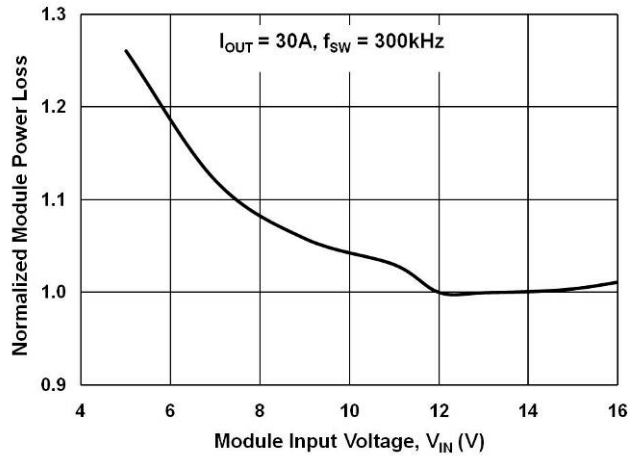
**Figure 1.2 Module Power Loss vs. Output Current**



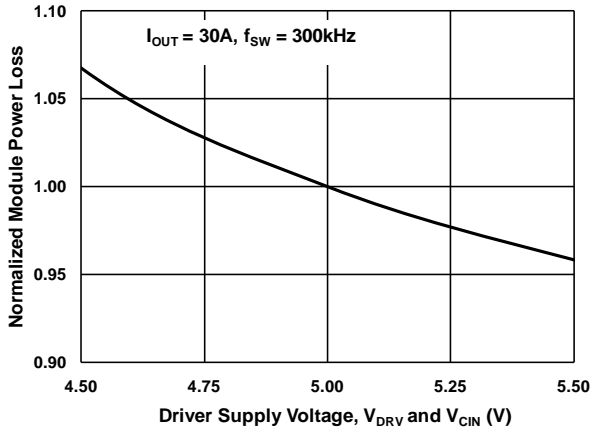
**Figure 1.3 Power Loss vs. Switching Frequency**



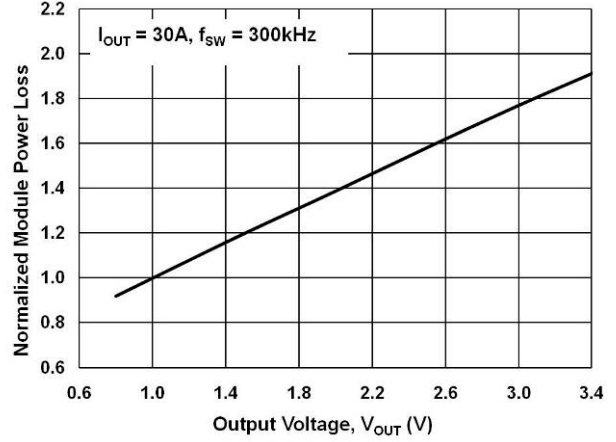
**Figure 1.4 Power Loss vs. Input Voltage**



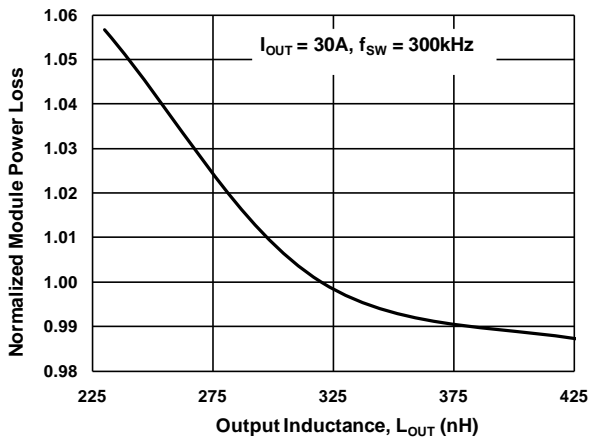
**Figure 1.5 Power Loss vs. Driver Supply Voltage**



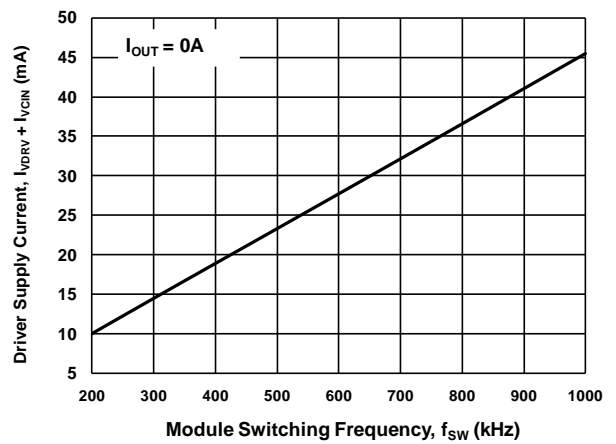
**Figure 1.6 Power Loss vs. Output Voltage**



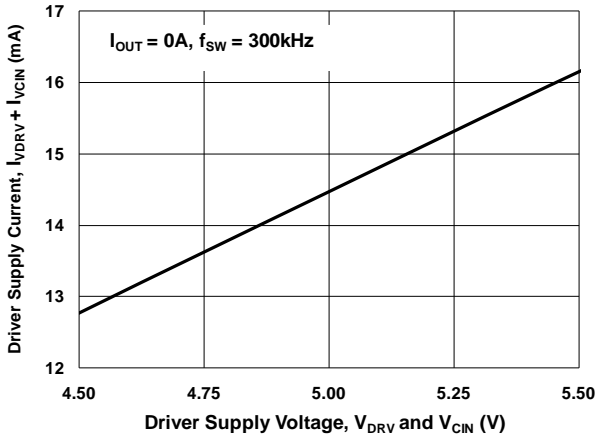
**Figure 1.7 Power Loss vs. Output Inductance**



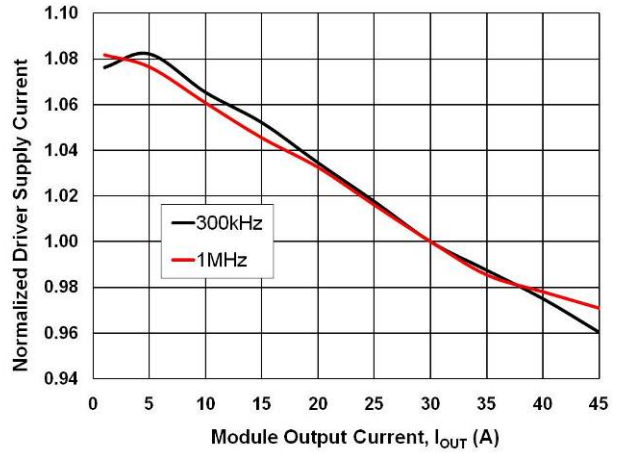
**Figure 1.8 Driver Supply Current vs. Frequency**



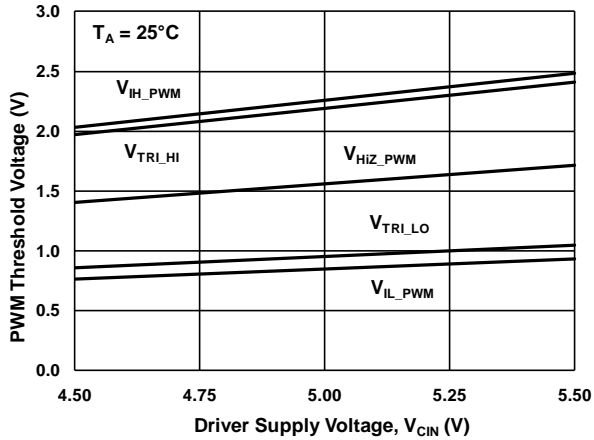
**Figure 1.9 Driver Supply Current vs. Driver Supply Voltage**



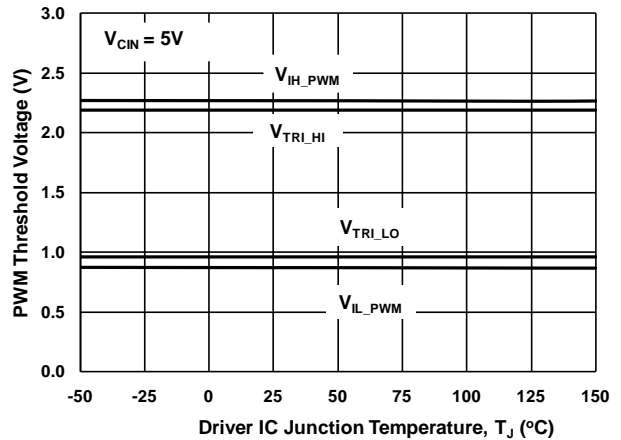
**Figure 1.10 Driver Supply Current vs. Output Current**



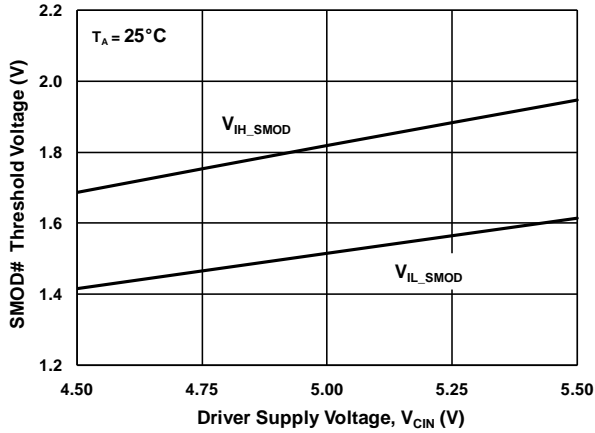
**Figure 1.11 PWM Thresholds vs. Driver Supply Voltage**



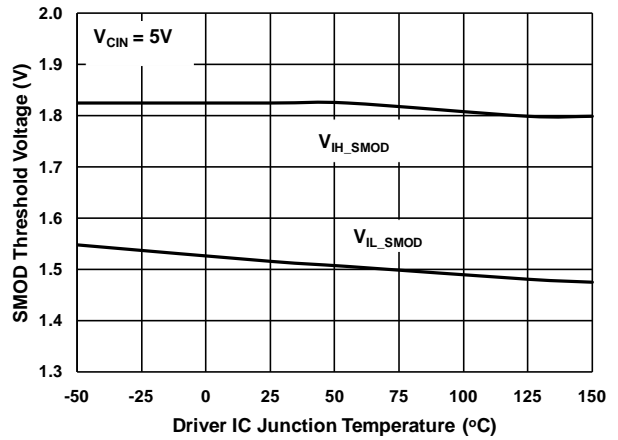
**Figure 1.12 PWM Thresholds vs. Temperature**



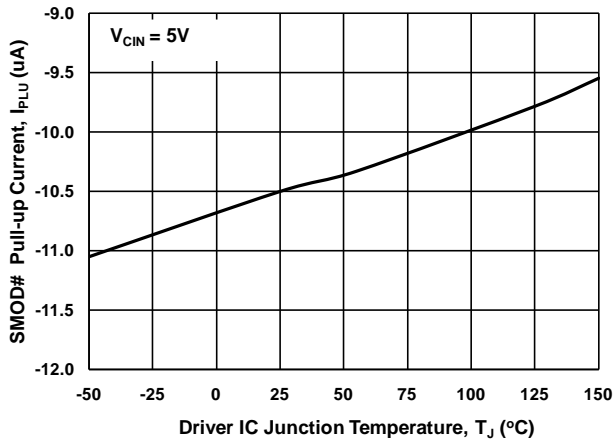
**Figure 1.13 SMOD# Thresholds vs. Driver Supply Voltage**



**Figure 1.14 SMOD# Thresholds vs. Temperature**



**Figure 1.15 SMOD# Pull-Up Current vs. Temperature**



**Figure 1.16 Disable Thresholds vs. Driver Supply Voltage**

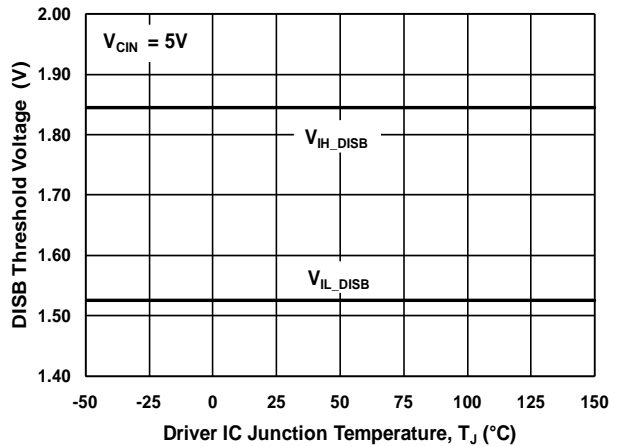


Figure 1.17 Disable Thresholds vs. Temperature

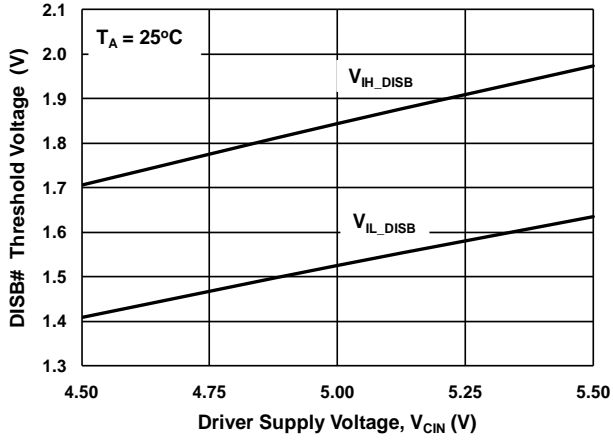
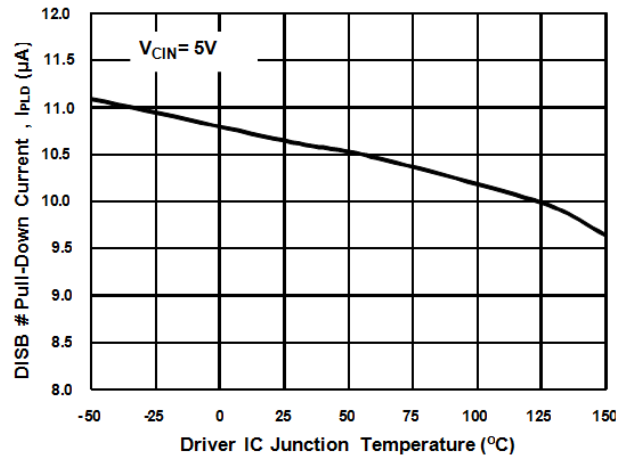


Figure 1.18 Disable Pull-Down Current vs. Temperature



## 2 Functional Description

The ZSPM9010 is a driver-plus-FET module optimized for the synchronous buck converter topology. A single PWM input signal is all that is required to properly drive the high-side and the low-side MOSFETs. It is capable of driving speeds up to 1MHz.

**Figure 2.1 Typical Application Circuit with PWM Control**

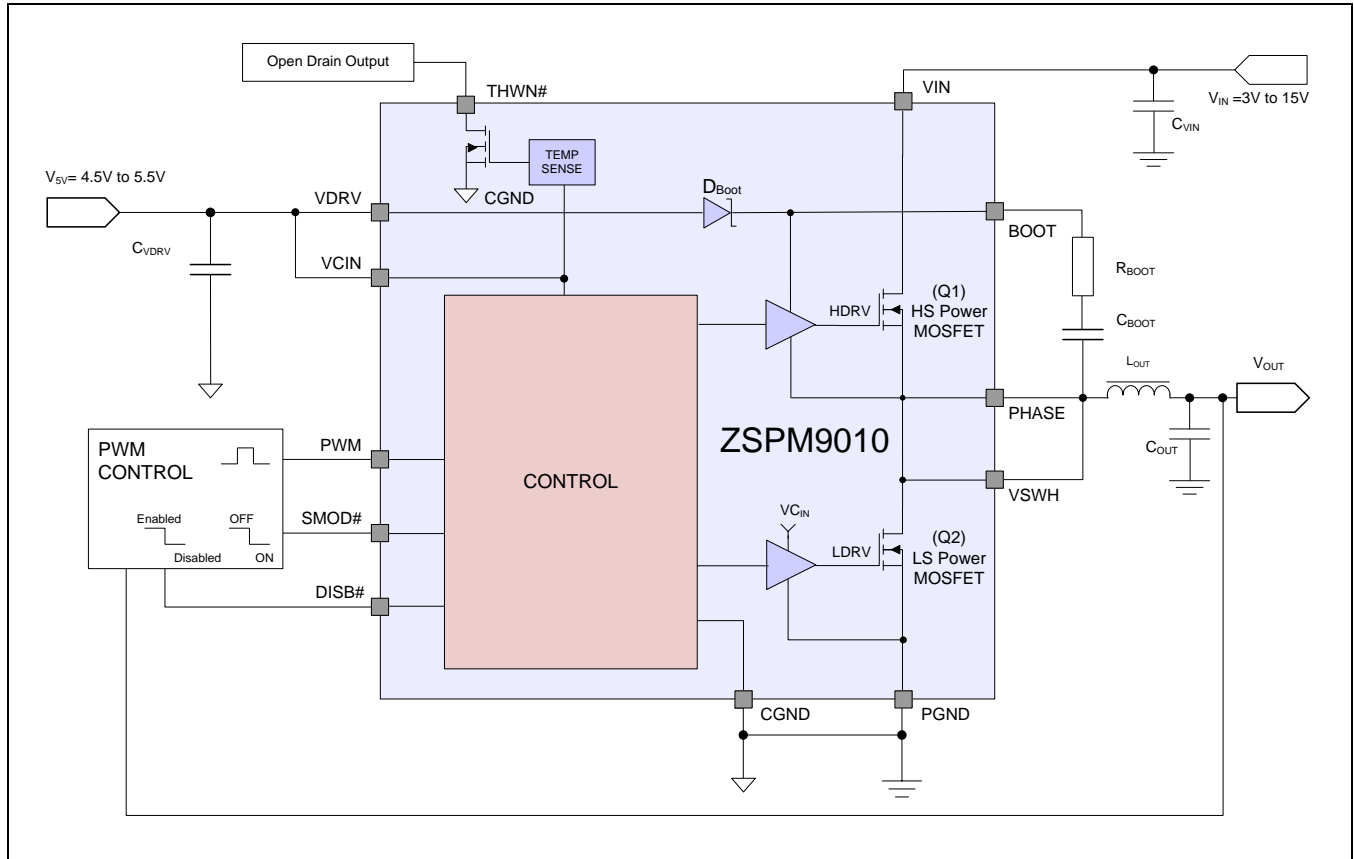
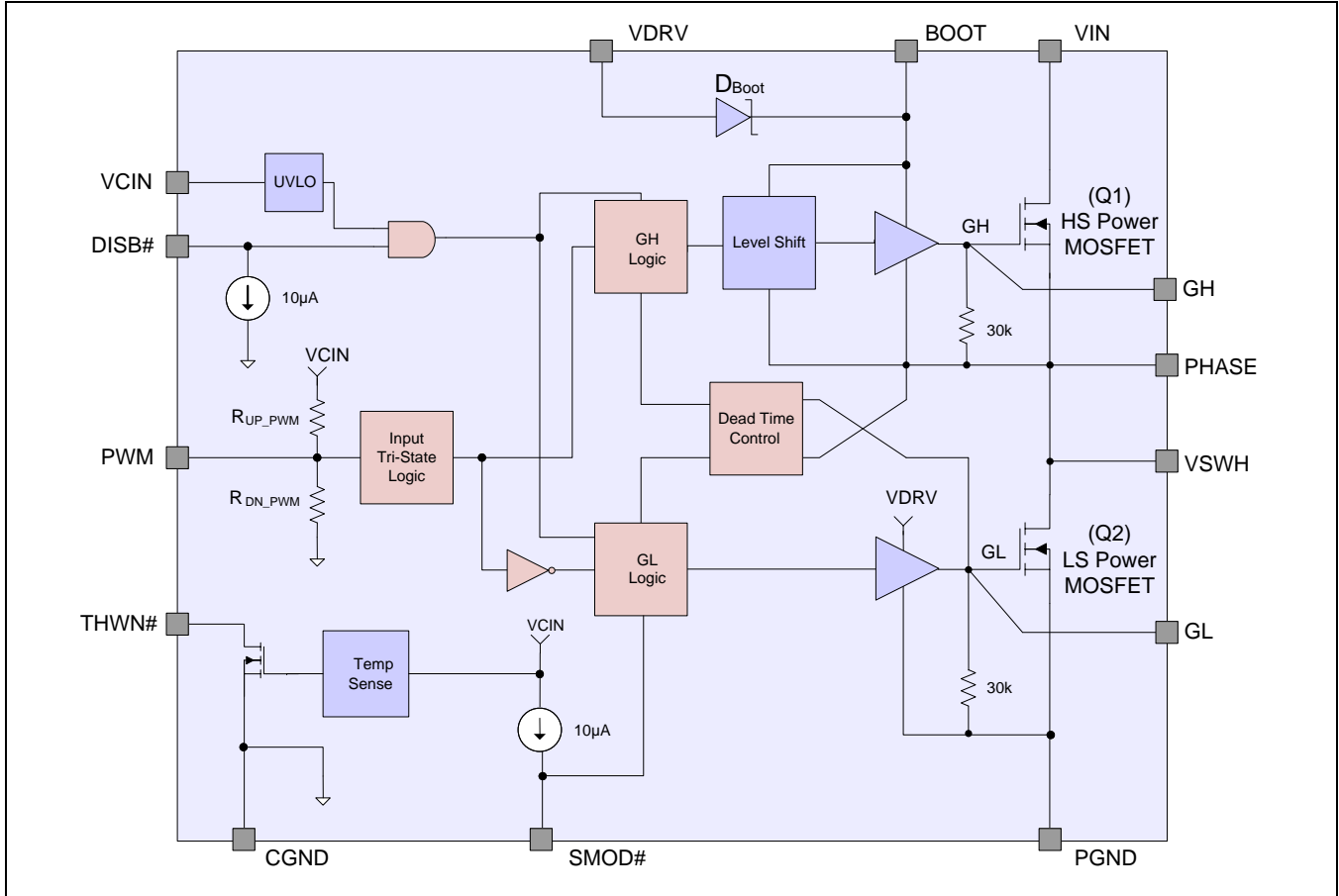


Figure 2.2 ZSPM9010 Block Diagram



### 2.1. VDRV and Disable (DISB#)

The VCIN pin is monitored by an under-voltage lockout (UVLO) circuit. When  $V_{CIN}$  rises above  $\sim 3.1V$ , the driver is enabled. When  $V_{CIN}$  falls below  $\sim 2.7V$ , the driver is disabled ( $GH, GL = 0$ ; see Figure 2.2 and section 4.2). The driver can also be disabled by pulling the DISB# pin LOW ( $DISB\# < V_{IL\_DISB}$ ), which holds both GL and GH LOW regardless of the PWM input state. The driver can be enabled by raising the DISB# pin voltage HIGH ( $DISB\# > V_{IH\_DISB}$ ).

Table 2.1 UVLO and Disable Logic

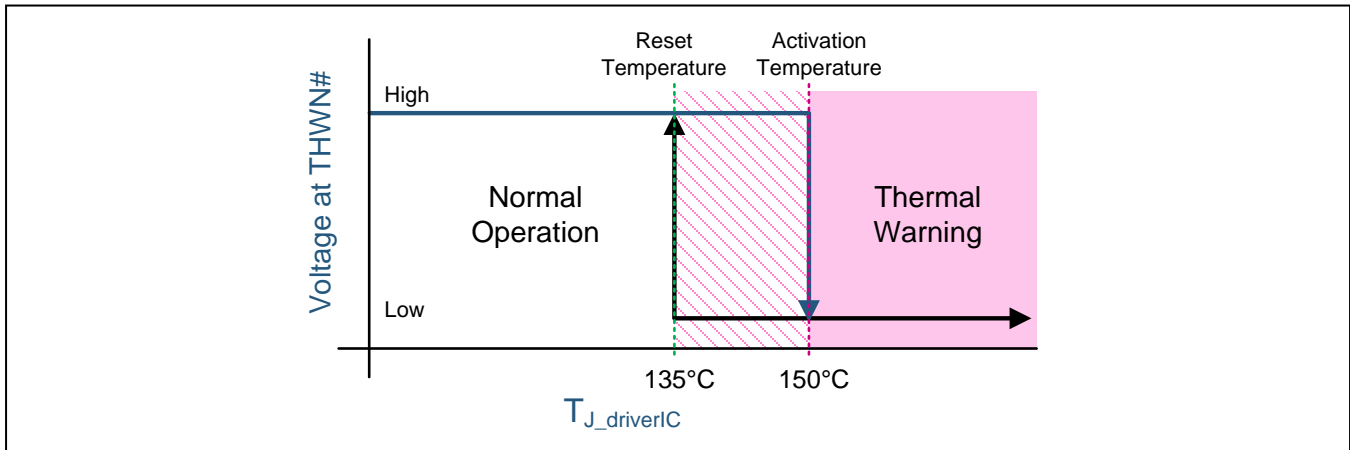
Note: DISB# internal pull-down current source is 10µA (typical).

UVLO	DISB#	Driver State
0	X	Disabled ( $GH=0, GL=0$ )
1	0	Disabled ( $GH=0, GL=0$ )
1	1	Enabled (see Table 2.2)
1	Open	Disabled ( $GH=0, GL=0$ )

## 2.2. Thermal Warning Flag (THWN#)

The ZSPM9010 provides a thermal warning flag (THWN#) to indicate over-temperature conditions. The thermal warning flag uses an open-drain output that pulls to CGND when the activation temperature (150°C) is reached. The THWN# output returns to the high-impedance state once the temperature falls to the reset temperature (135°C). For use, the THWN# output requires a pull-up resistor, which can be connected to VCIN. Note that THWN# does NOT disable the DrMOS module.

**Figure 2.3 Thermal Warning Flag (THWN) Operation**



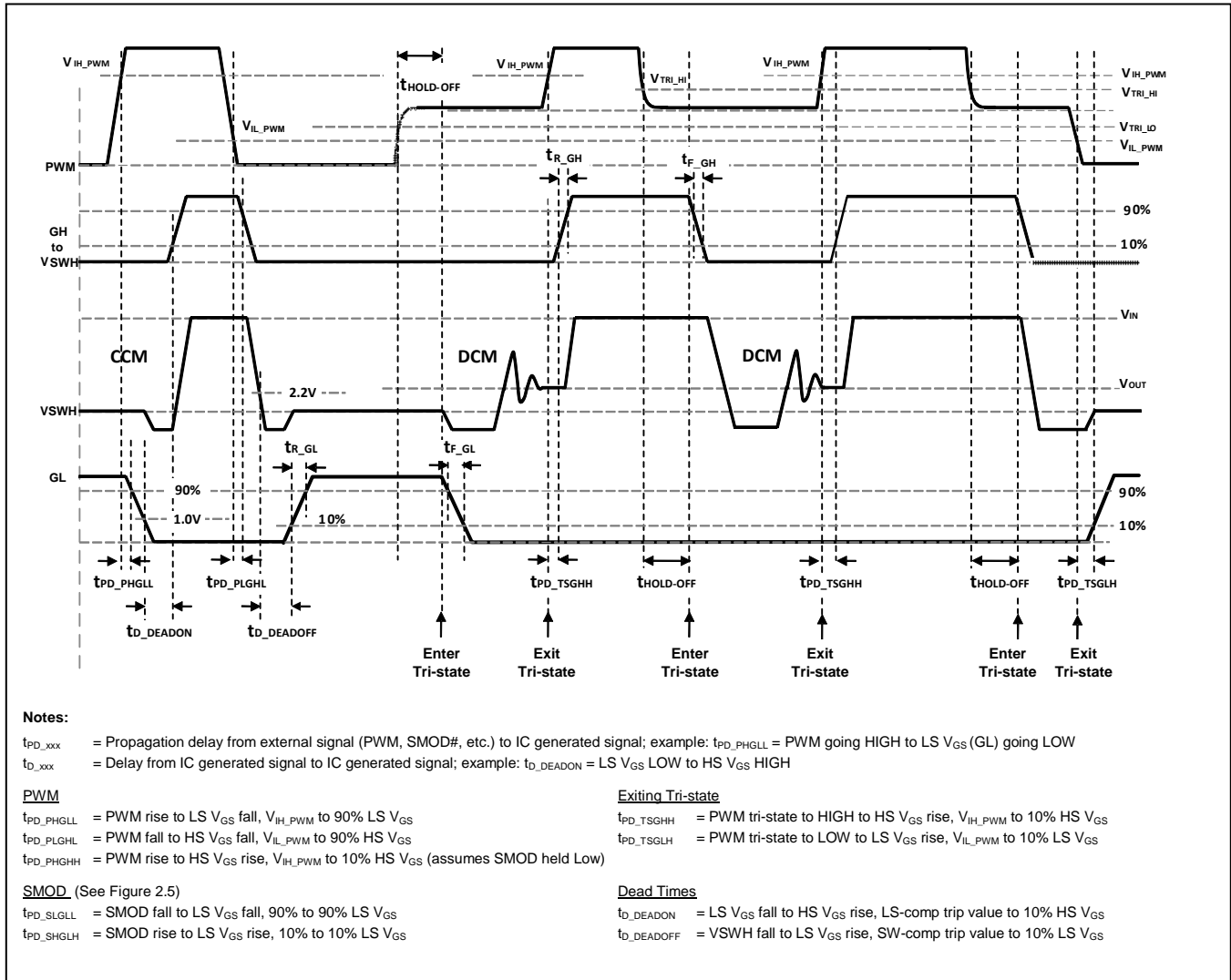
## 2.3. Tri-State PWM Input

The ZSPM9010 incorporates a tri-state 3.3V PWM input gate drive design. The tri-state gate drive has both logic HIGH level and LOW level, along with a tri-state shutdown voltage window. When the PWM input signal enters and remains within the tri-state voltage window for a defined hold-off time ( $t_{D\_HOLD-OFF}$ ), both GL and GH are pulled LOW. This feature enables the gate drive to shut down both high and low side MOSFETs using only one control signal. For example, this can be used for phase shedding in multi-phase voltage regulators.

When exiting a valid tri-state condition, the ZSPM9010 follows the PWM input command. If the PWM input goes from tri-state to LOW, the low-side MOSFET is turned on. If the PWM input goes from tri-state to HIGH, the high-side MOSFET is turned on, as illustrated in Figure 2.4. The ZSPM9010's design allows for short propagation delays when exiting the tri-state window (see section 1.3).



Figure 2.4 PWM and Tri-State Timing Diagram



## 2.4. Adaptive Gate Drive Circuit

The low-side driver (GL) is designed to drive a ground-referenced low  $R_{DS(ON)}$  N-channel MOSFET. The bias for GL is internally connected between VDRV and CGND. When the driver is enabled, the driver's output is 180° out of phase with the PWM input. When the driver is disabled (DISB#=0V), GL is held LOW.

The high-side driver is designed to drive a floating N-channel MOSFET. The bias voltage for the high-side driver is developed by a bootstrap supply circuit consisting of the internal Schottky diode and external bootstrap capacitor ( $C_{BOOT}$ ). During startup, the VSWH pin is held at PGND, allowing  $C_{BOOT}$  (see section 3.2) to charge to  $V_{DRV}$  through the internal diode. When the PWM input goes HIGH, GH begins to charge the gate of Q1, the high-side MOSFET. During this transition, the charge is removed from  $C_{BOOT}$  and delivered to the gate of Q1. As Q1 turns on,  $V_{SWH}$  rises to  $V_{IN}$ , forcing the BOOT pin to  $V_{IN} + V_{BOOT}$ , which provides sufficient  $V_{GS}$  enhancement for Q1.

To complete the switching cycle, Q1 is turned off by pulling GH to  $V_{SWH}$ .  $C_{BOOT}$  is then recharged to  $V_{DRV}$  when  $V_{SWH}$  falls to PGND. The GH output is in-phase with the PWM input. The high-side gate is held LOW when the driver is disabled or the PWM signal is held within the tri-state window for longer than the tri-state hold-off time,  $t_{D\_HOLD-OFF}$ .

The driver IC design ensures minimum MOSFET dead time while eliminating potential shoot-through (cross-conduction) currents. It senses the state of the MOSFETs and adjusts the gate drive adaptively to prevent simultaneous conduction. Figure 2.4 provides the relevant timing waveforms. To prevent overlap during the LOW-to-HIGH switching transition (Q2 off to Q1 on), the adaptive circuitry monitors the voltage at the GL pin. When the PWM signal goes HIGH, Q2 begins to turn off after a propagation delay ( $t_{PD\_PHGLL}$ ). Once the GL pin is discharged below ~1V, Q1 begins to turn on after adaptive delay  $t_{D\_DEADON}$ .

To prevent overlap during the HIGH-to-LOW transition (Q1 off to Q2 on), the adaptive circuitry monitors the voltage at the VSWH pin. When the PWM signal goes LOW, Q1 begins to turn off after a propagation delay ( $t_{PD\_PLGHL}$ ). Once the VSWH pin falls below approx. 2.2V, Q2 begins to turn on after adaptive delay  $t_{D\_DEADOFF}$ .  $V_{GS(Q1)}$  is also monitored. When  $V_{GS(Q1)}$  is discharged below approx. 1.2V, a secondary adaptive delay is initiated that results in Q2 being driven on after  $t_{D\_TIMEOUT}$ , regardless of VSWH state. This function is implemented to ensure  $C_{BOOT}$  is recharged each switching cycle in the event that the VSWH voltage does not fall below the 2.2V adaptive threshold. Secondary delay  $t_{D\_TIMEOUT}$  is longer than  $t_{D\_DEADOFF}$ .

## 2.5. Skip Mode (SMOD#)

The SMOD function allows higher converter efficiency under light-load conditions. During SMOD, the low-side FET gate signal is disabled (held LOW), preventing discharging of the output capacitors as the filter inductor current attempts reverse current flow – also known as Diode Emulation Mode.

When the SMOD# pin is pulled HIGH, the synchronous buck converter works in Synchronous Mode. This mode allows gating on the low-side FET. When the SMOD# pin is pulled LOW, the low-side FET is gated off. See the timing diagram in Figure 2.5. If the SMOD# pin is connected to the PWM controller, the controller can actively enable or disable SMOD when the controller detects light-load operation.

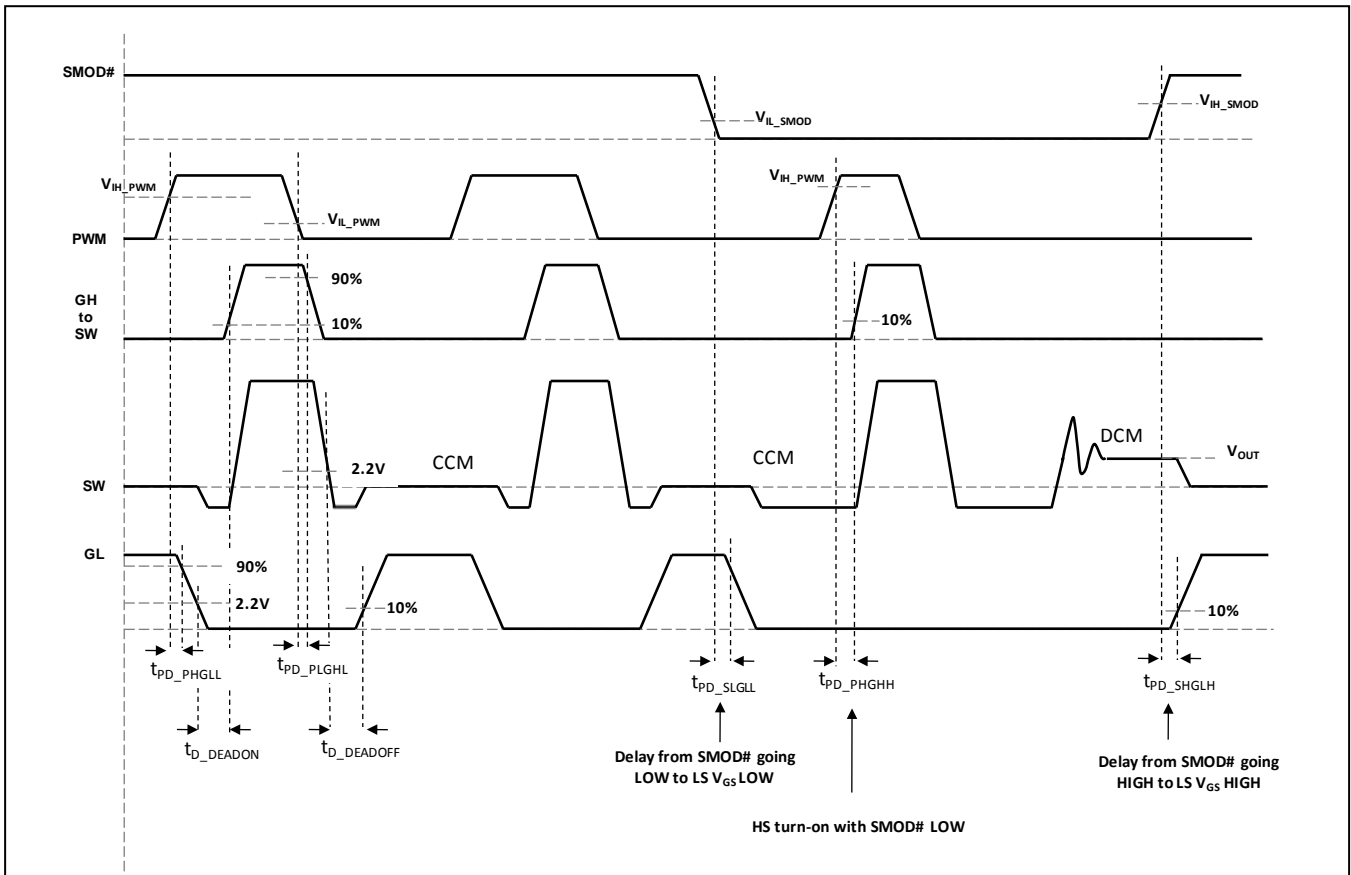
**Table 2.2 SMOD# Logic**

Note: The SMOD feature is intended to have a low propagation delay between the SMOD signal and the low-side FET  $V_{GS}$  response time to control diode emulation on a cycle-by-cycle basis.

DISB#	PWM	SMOD#	GH	GL
0	X	X	0	0
1	Tri-State	X	0	0
1	0	0	0	0
1	1	0	1	0
1	0	1	0	1
1	1	1	1	0

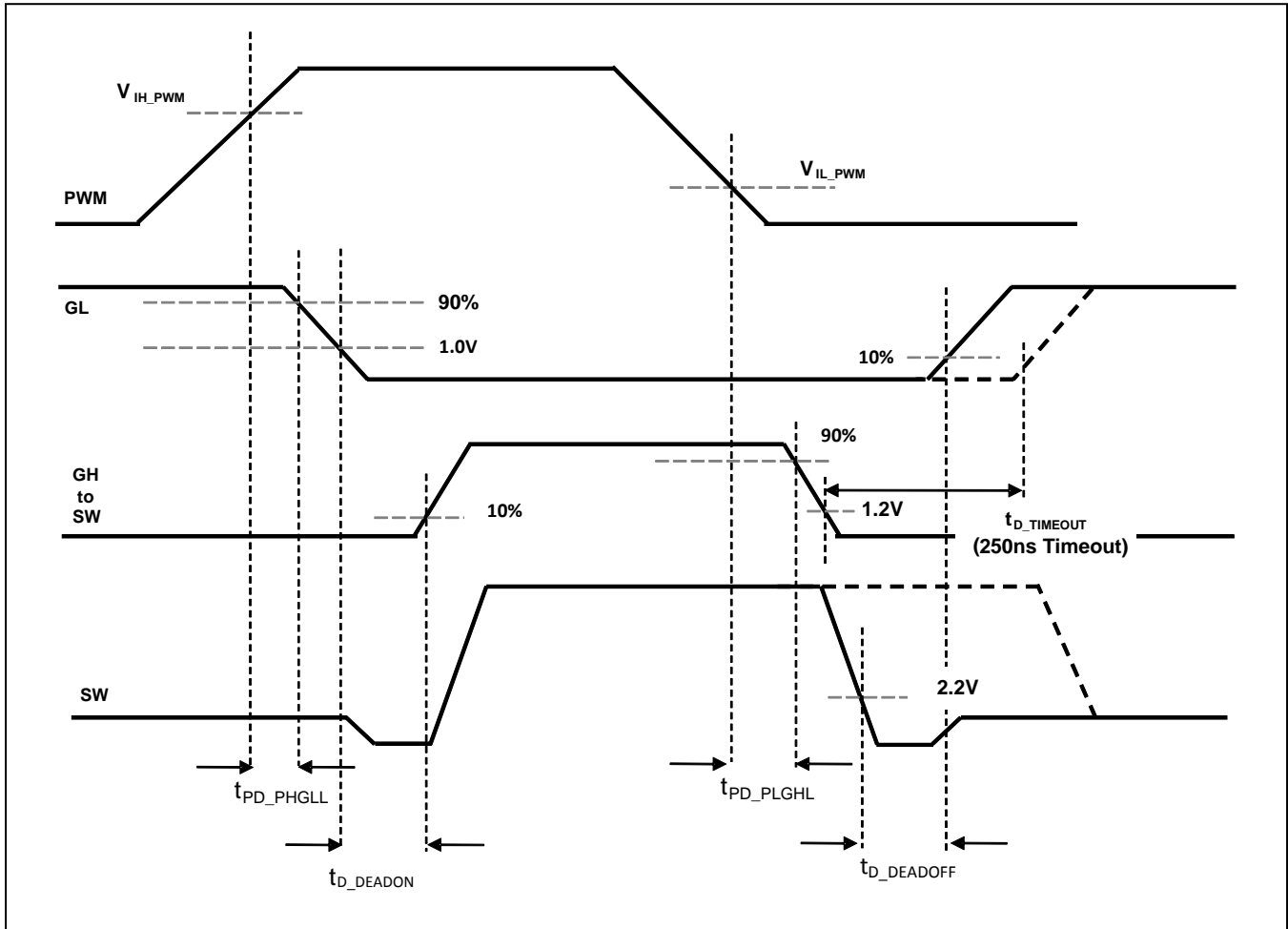
**Figure 2.5 SMOD# Timing Diagram**

See Figure 2.4 for the definitions of the timing parameters.



## 2.6. PWM

Figure 2.6 PWM Timing



### 3 Application Design

#### 3.1. Supply Capacitor Selection

For the supply inputs (VDRV and VCIN), a local ceramic bypass capacitor is required to reduce noise and is used to supply the peak transient currents during gate drive switching action. Recommendation: use at least a 1µF capacitor with an X7R or X5R dielectric. Keep this capacitor close to the VCIN and VDRV pins and connect it to the CGND ground plane with vias.

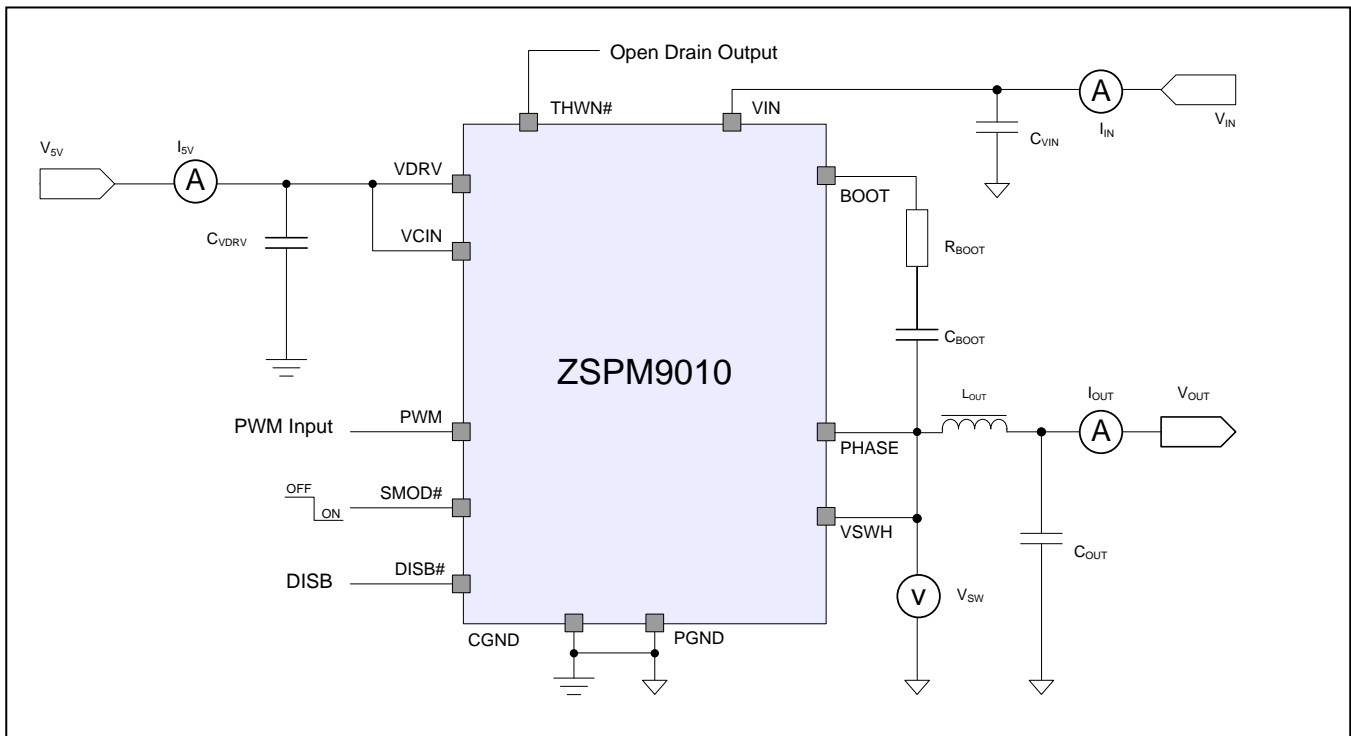
#### 3.2. Bootstrap Circuit

The bootstrap circuit uses a charge storage capacitor ( $C_{BOOT}$ ), as shown in Figure 3.1. A bootstrap capacitance of 100nF X7R or X5R capacitor is typically adequate. A series bootstrap resistor may be needed for specific applications to improve switching noise immunity. The boot resistor may be required when operating near the maximum rated  $V_{IN}$  and is effective at controlling the high-side MOSFET turn-on slew rate and  $V_{SWH}$  overshoot. Typical  $R_{BOOT}$  values from 0.5Ω to 2.0Ω are effective in reducing  $V_{SWH}$  overshoot.

#### 3.3. VCIN Filter

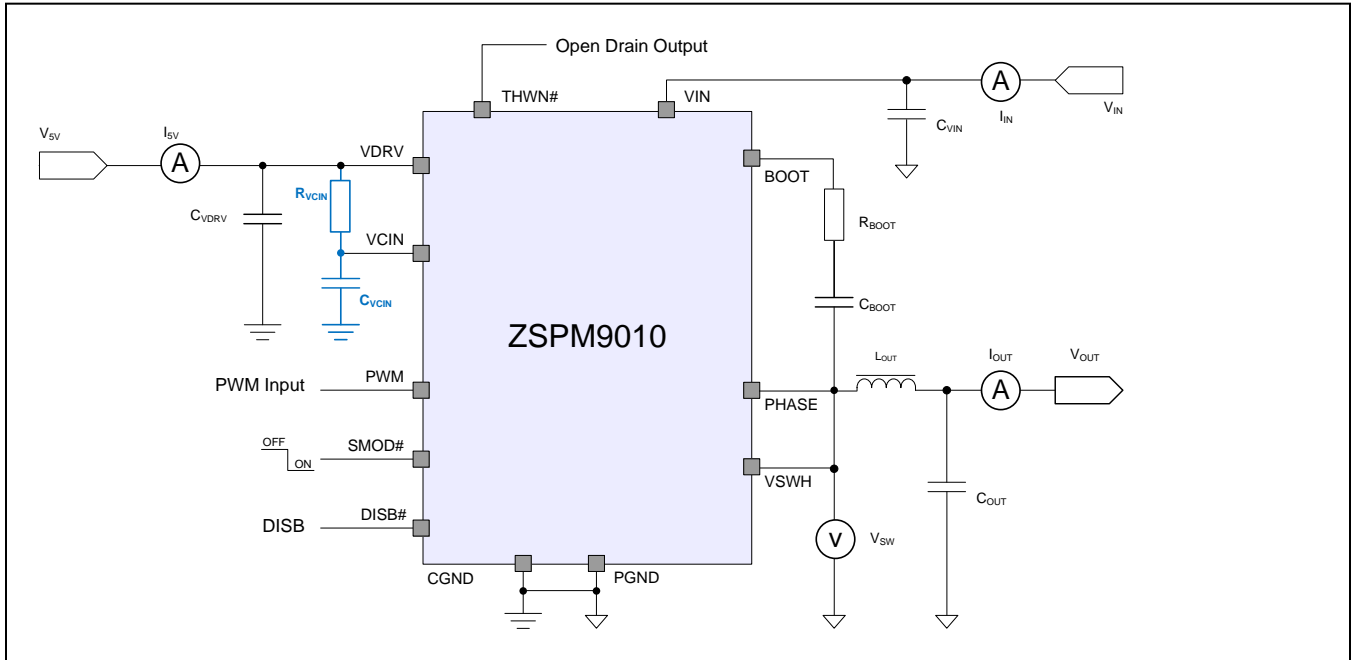
The VDRV pin provides power to the gate drive of the high-side and low-side power MOSFETs. In most cases, VDRV can be connected directly to VCIN, which supplies power to the logic circuitry of the gate driver. For additional noise immunity, an RC filter can be inserted between VDRV and VCIN. Recommendation: use a 10Ω resistor ( $R_{VCIN}$ ) between VDRV and VCIN and a 1µF capacitor ( $C_{VCIN}$ ) from VCIN to CGND (see Figure 3.2).

Figure 3.1 Power Loss Measurement Block Diagram



**Figure 3.2** *V<sub>CIN</sub> Filter Block Diagram*

Note: Blue lines indicate the optional recommended filter.



### 3.4. Power Loss and Efficiency Testing Procedures

The circuit in Figure 3.1 has been used to measure power losses. The efficiency has been calculated based on the equations below.

**Power loss calculations:**

$$P_{IN} = (V_{IN} * I_{IN}) + (V_{5V} * I_{5V}) \tag{1}$$

$$P_{SW} = (V_{SW} * I_{OUT}) \tag{2}$$

$$P_{OUT} = (V_{OUT} * I_{OUT}) \tag{3}$$

$$P_{LOSS\_MODULE} = (P_{IN} - P_{SW}) \tag{4}$$

$$P_{LOSS\_BOARD} = (P_{IN} - P_{OUT}) \tag{5}$$

**Efficiency calculations:**

$$EFF_{\text{MODULE}} = \left( 100 * \frac{P_{\text{SW}}}{P_{\text{IN}}} \right) \% \quad (6)$$

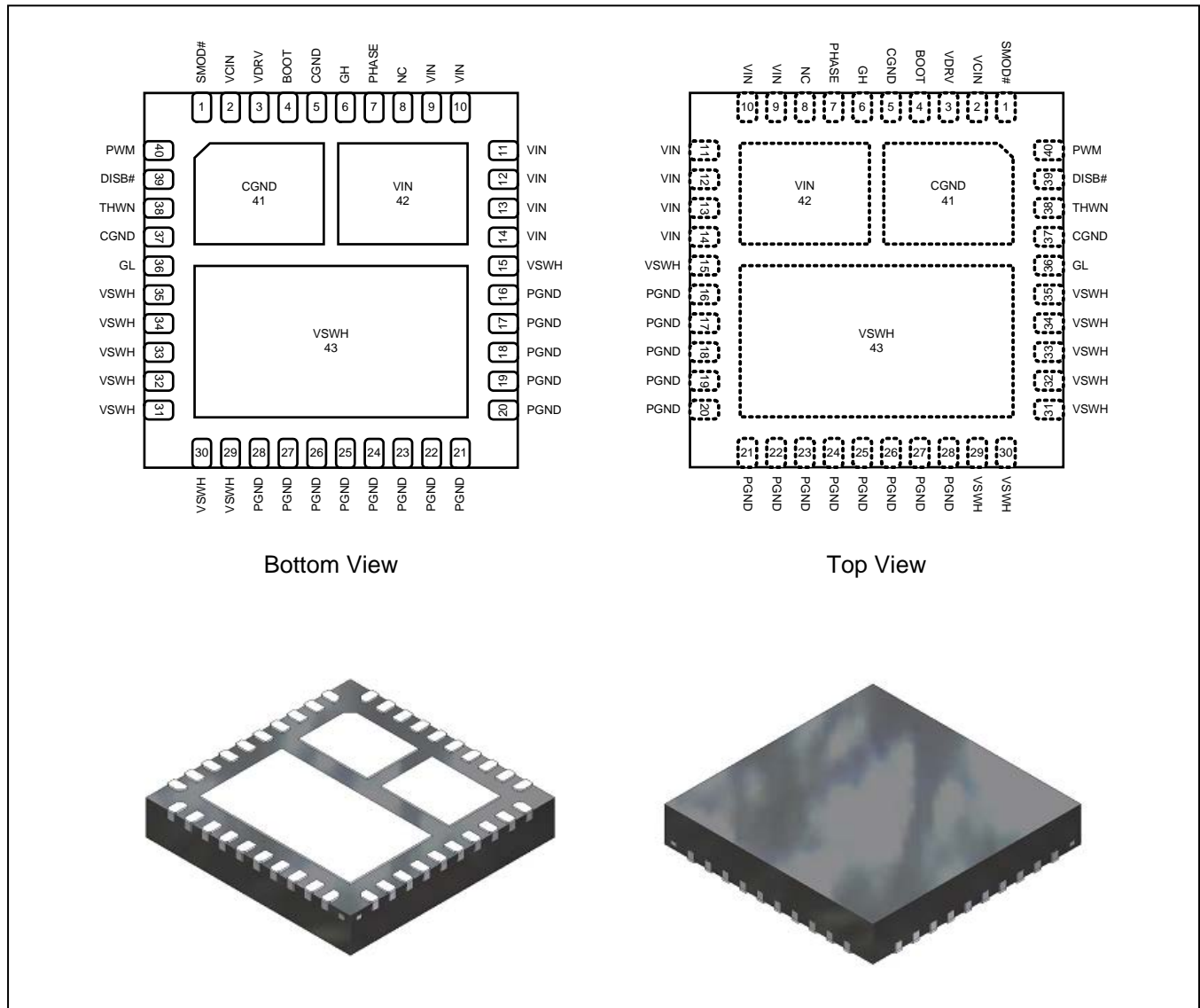
$$EFF_{\text{BOARD}} = \left( 100 * \frac{P_{\text{OUT}}}{P_{\text{IN}}} \right) \% \quad (7)$$

## 4 Pin Configuration and Package

### 4.1. Available Packages

The ZSPM9010 is available in a 40-lead clip-bond PQFN package. The pin-out is shown in Figure 4.1. See Figure 4.2 for the mechanical drawing of the package.

Figure 4.1 Pin-out PQFN40 Package



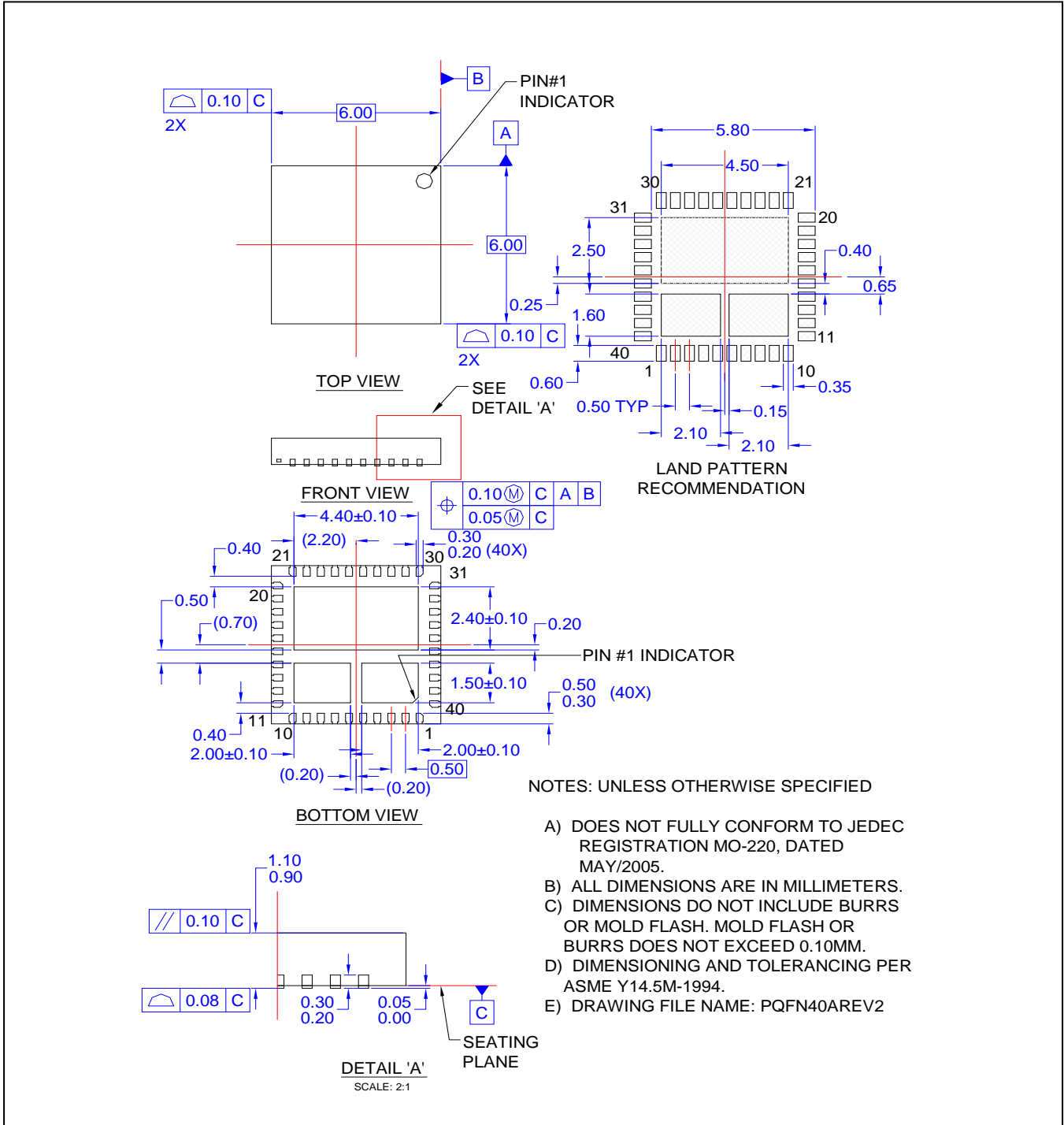


## 4.2. Pin Description

Pin	Name	Description
1	SMOD#	When SMOD#=HIGH, the low-side driver is the inverse of PWM input. When SMOD#=LOW, the low-side driver is disabled. This pin has a 10 $\mu$ A internal pull-up current source. Do not add a noise filter capacitor.
2	VCIN	IC bias supply. A 1 $\mu$ F (minimum) ceramic capacitor is recommended from this pin to CGND.
3	VDRV	Power for gate driver. A 1 $\mu$ F (minimum) X5R/X7R ceramic capacitor from this pin to CGND is recommended. Place it as close as possible to this pin.
4	BOOT	Bootstrap supply input. Provides voltage supply to the high-side MOSFET driver. Connect a bootstrap capacitor from this pin to PHASE.
5, 37, 41	CGND	IC ground. Ground return for driver IC.
6	GH	Gate high. For manufacturing test only. This pin must float: it must not be connected.
7	PHASE	Switch node pin for bootstrap capacitor routing; electrically shorted to VSWH pin.
8	NC	No connection. The pin is not electrically connected internally but can be connected to VIN for convenience.
9 - 14, 42	VIN	Input power voltage (output stage supply voltage).
15, 29 - 35, 43	VSWH	Switch node. Provides return for high-side bootstrapped driver and acts as a sense point for the adaptive shoot-through protection.
16 - 28	PGND	Power ground (output stage ground). Source pin of the low-side MOSFET.
36	GL	Gate low. For manufacturing test only. This pin must float. It must not be connected.
38	THWN#	Thermal warning flag, open collector output. When temperature exceeds the trip limit, the output is pulled LOW. THWN# does not disable the module.
39	DISB#	Output disable. When LOW, this pin disables the power MOSFET switching (GH and GL are held LOW). This pin has a 10 $\mu$ A internal pull-down current source. Do not add a noise filter capacitor.
40	PWM	PWM signal input. This pin accepts a tri-state 3.3V PWM signal from the controller.

### 4.3. Package Dimensions

Figure 4.2 PQFN40 Physical Dimensions and Recommended Footprint



## 5 Circuit Board Layout Considerations

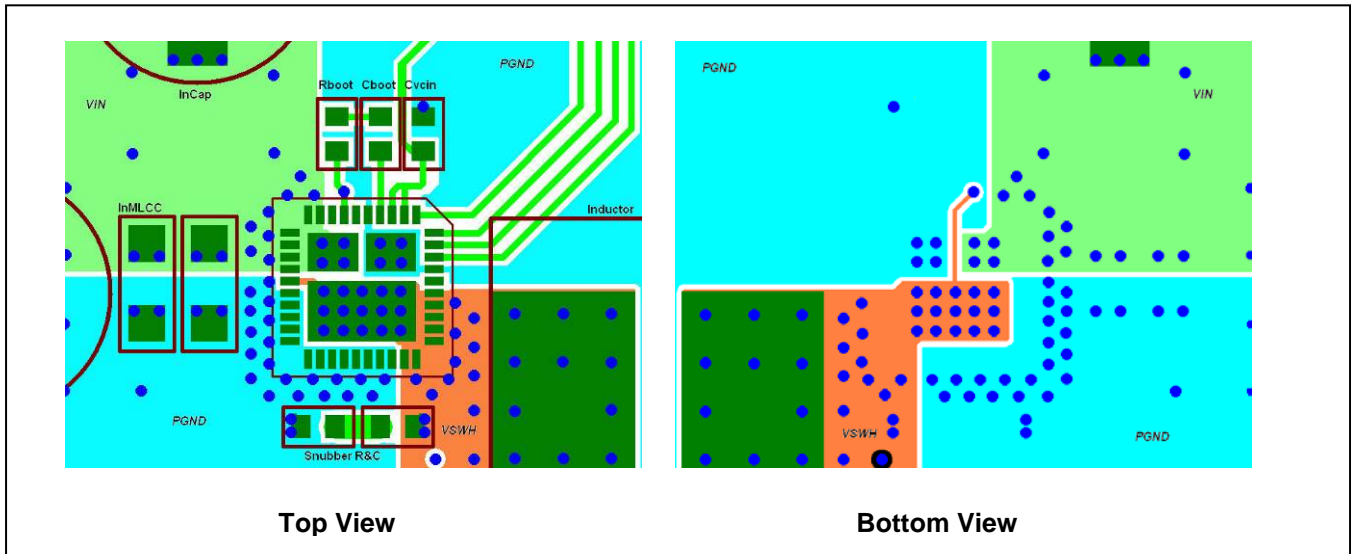
Figure 5.1 provides an example of a proper layout for the ZSPM9010 and critical components. All of the high-current paths, such as the  $V_{IN}$ ,  $V_{SWH}$ ,  $V_{OUT}$ , and GND copper traces, should be short and wide for low inductance and resistance. This technique achieves a more stable and evenly distributed current flow, along with enhanced heat radiation and system performance.

The following guidelines are recommendations for the printed circuit board (PCB) designer:

1. Input ceramic bypass capacitors must be placed close to the VIN and PGND pins. This helps reduce the high-current power loop inductance and the input current ripple induced by the power MOSFET switching operation.
2. The  $V_{SWH}$  copper trace serves two purposes. In addition to being the high-frequency current path from the DrMOS package to the output inductor, it also serves as a heat sink for the low-side MOSFET in the DrMOS package. The trace should be short and wide enough to present a low-impedance path for the high-frequency, high-current flow between the DrMOS and inductor to minimize losses and temperature rise. Note that the VSWH node is a high-voltage and high-frequency switching node with a high noise potential. Care should be taken to minimize coupling to adjacent traces. Since this copper trace also acts as a heat sink for the lower FET, the designer must balance using the largest area possible to improve DrMOS cooling with maintaining acceptable noise emission.
3. Locate the output inductor close to the ZSPM9010 to minimize the power loss due to the VSWH copper trace. Care should also be taken so the inductor dissipation does not heat the DrMOS.
4. The power MOSFETs used in the output stage are effective for minimizing ringing due to fast switching. In most cases, no VSWH snubber is required. If a snubber is used, it should be placed close to the VSWH and PGND pins. The resistor and capacitor must be the proper size for the power dissipation.
5. VCIN, VDRV, and BOOT capacitors should be placed as close as possible to the respective pins to ensure clean and stable power. Routing width and length should be considered as well.
6. Include a trace from PHASE to VSWH to improve the noise margin. Keep the trace as short as possible.
7. The layout should include a placeholder to insert a small-value series boot resistor ( $R_{BOOT}$ ) between the boot capacitor ( $C_{BOOT}$ ) and DrMOS BOOT pin. The BOOT-to-VSWH loop size, including  $R_{BOOT}$  and  $C_{BOOT}$ , should be as small as possible. The boot resistor may be required when operating near the maximum rated  $V_{IN}$ . The boot resistor is effective for controlling the high-side MOSFET turn-on slew rate and VSWH overshoot.  $R_{BOOT}$  can improve the noise operating margin in synchronous buck designs that might have noise issues due to ground bounce or high positive and negative VSWH ringing. However, inserting a boot resistance lowers the DrMOS efficiency. Efficiency versus noise trade-offs must be considered.  $R_{BOOT}$  values from 0.5 $\Omega$  to 2.0 $\Omega$  are typically effective in reducing VSWH overshoot.
8. The VIN and PGND pins handle large current transients with frequency components greater than 100MHz. If possible, these pins should be connected directly to the VIN and board GND planes. Important: the use of thermal relief traces in series with these pins is discouraged since this adds inductance to the power path. Added inductance in series with the VIN or PGND pin degrades system noise immunity by increasing positive and negative VSWH ringing.
9. Connect the CGND pad and PGND pins to the GND plane copper with multiple vias for stable grounding. Poor grounding can create a noise transient offset voltage level between CGND and PGND. This could lead to faulty operation of the gate driver and MOSFETs.

10. Ringing at the BOOT pin is most effectively controlled by close placement of the boot capacitor. Do not add a capacitor from BOOT to ground; this may lead to excess current flow through the BOOT diode.
11. The SMOD# and DISB# pins have weak internal pull-up and pull-down current sources, respectively. Do NOT float these pins if avoidable. These pins should not have any noise filter capacitors.
12. Use multiple vias on each copper area to interconnect top, inner, and bottom layers to help distribute current flow and heat conduction. Vias should be relatively large and of reasonably low inductance. Critical high-frequency components, such as  $R_{BOOT}$ ,  $C_{BOOT}$ , the RC snubber, and the bypass capacitors should be located as close to the respective DrMOS module pins as possible on the top layer of the PCB. If this is not feasible, they should be connected from the backside through a network of low-inductance vias.

Figure 5.1 PCB Layout Example



## 6 Ordering Information

Product Sales Code	Description	Package
ZSPM9010ZA1R	ZSPM9010 Lead-Free PQFN40 — Temperature range: -40°C to +125°C	Reel
ZSPM8010-KIT	Open-Loop Evaluation Board for ZSPM9010	Kit

## 7 Related Documents

Document
ZSPM8010-KIT User Guide

Visit IDT's website [www.IDT.com](http://www.IDT.com) or contact your nearest sales office for the latest version of these documents.

## 8 Document Revision History

Revision	Date	Description
1.00	February 6, 2012	First release
1.01	March 20, 2012	Update to timing diagram Figure 2.4. Update to block diagram. Minor edits to application illustration on page 2. Update for IDT contacts.
1.02	August 20, 2012	Update of available support. Update of ordering information. Update of related documents.
1.03	November 19, 2012	Minor edits and update for contact information.
1.04	March 8, 2013	Minor updates for cover and header imagery and contact information.
	January 25, 2016	Changed to IDT branding.

## IMPORTANT NOTICE AND DISCLAIMER

RENESAS ELECTRONICS CORPORATION AND ITS SUBSIDIARIES (“RENESAS”) PROVIDES TECHNICAL SPECIFICATIONS AND RELIABILITY DATA (INCLUDING DATASHEETS), DESIGN RESOURCES (INCLUDING REFERENCE DESIGNS), APPLICATION OR OTHER DESIGN ADVICE, WEB TOOLS, SAFETY INFORMATION, AND OTHER RESOURCES “AS IS” AND WITH ALL FAULTS, AND DISCLAIMS ALL WARRANTIES, EXPRESS OR IMPLIED, INCLUDING, WITHOUT LIMITATION, ANY IMPLIED WARRANTIES OF MERCHANTABILITY, FITNESS FOR A PARTICULAR PURPOSE, OR NON-INFRINGEMENT OF THIRD-PARTY INTELLECTUAL PROPERTY RIGHTS.

These resources are intended for developers who are designing with Renesas products. You are solely responsible for (1) selecting the appropriate products for your application, (2) designing, validating, and testing your application, and (3) ensuring your application meets applicable standards, and any other safety, security, or other requirements. These resources are subject to change without notice. Renesas grants you permission to use these resources only to develop an application that uses Renesas products. Other reproduction or use of these resources is strictly prohibited. No license is granted to any other Renesas intellectual property or to any third-party intellectual property. Renesas disclaims responsibility for, and you will fully indemnify Renesas and its representatives against, any claims, damages, costs, losses, or liabilities arising from your use of these resources. Renesas' products are provided only subject to Renesas' Terms and Conditions of Sale or other applicable terms agreed to in writing. No use of any Renesas resources expands or otherwise alters any applicable warranties or warranty disclaimers for these products.

(Disclaimer Rev.1.01 Jan 2024)

### Corporate Headquarters

TOYOSU FORESIA, 3-2-24 Toyosu,  
Koto-ku, Tokyo 135-0061, Japan  
[www.renesas.com](http://www.renesas.com)

### Trademarks

Renesas and the Renesas logo are trademarks of Renesas Electronics Corporation. All trademarks and registered trademarks are the property of their respective owners.

### Contact Information

For further information on a product, technology, the most up-to-date version of a document, or your nearest sales office, please visit [www.renesas.com/contact-us/](http://www.renesas.com/contact-us/).