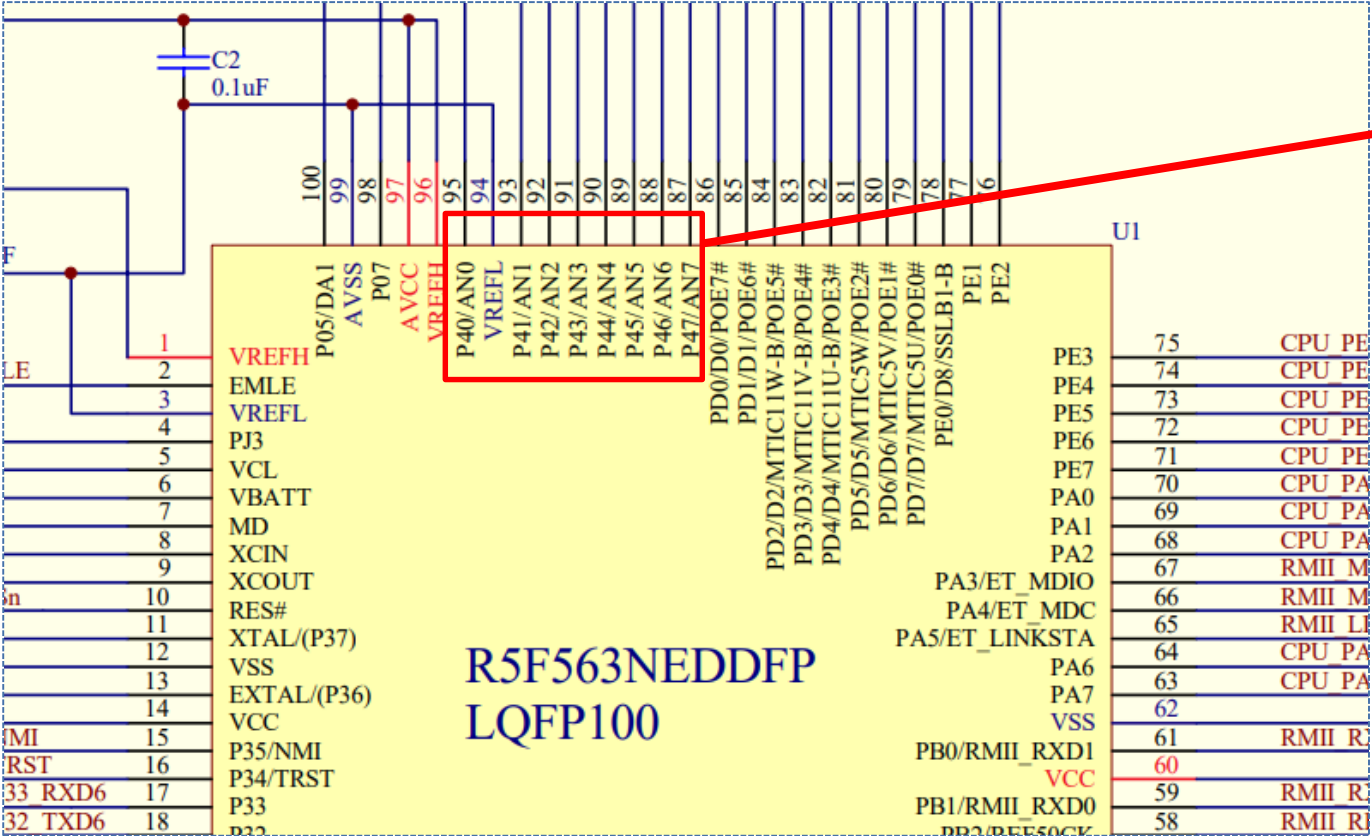


Wrong name of ADC terminals

Page 1 in schematic



- P40/AN000
- P41/AN001
- P42/AN002
- P43/AN003
- P44/AN004
- P45/AN005
- P46/AN006
- P47/AN007

Pin assign of connectors, CN11 and CN12

Page 4 in schematic

