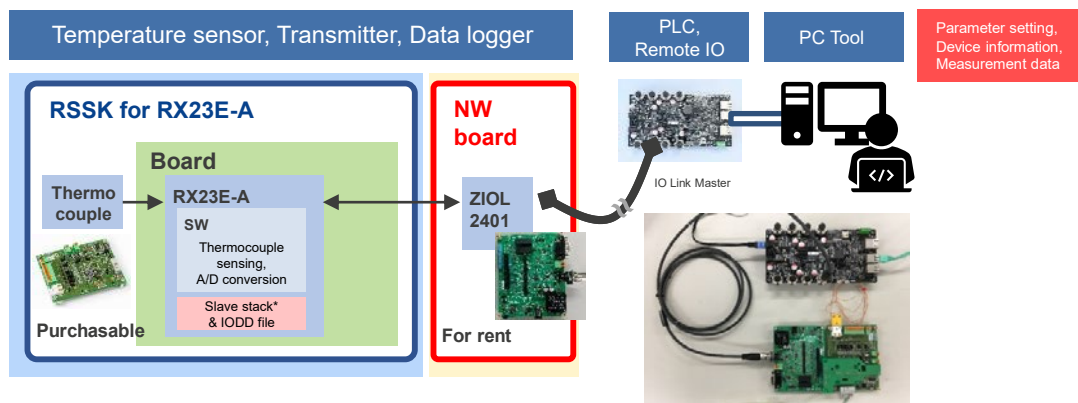


32-bit MCU RX23E-A with Built-in High Precision Analog Front-End IO-LINK DEVICE SOLUTION FOR TEMPERATURE SENSOR

This solution uses the 32-bit MCU RX23E-A with built-in high precision AFE to measure temperature, process sensing signal and transmit data through IO-Link. Users can view the key features of IO-Link communication on the PC GUI tool, such as monitoring device status and parameters by connecting through the IO-Link Master. Feel free to evaluate the benefits of IO-Link with this solution that comes with an IO-Link Stack* developed by TMG for evaluation purpose.

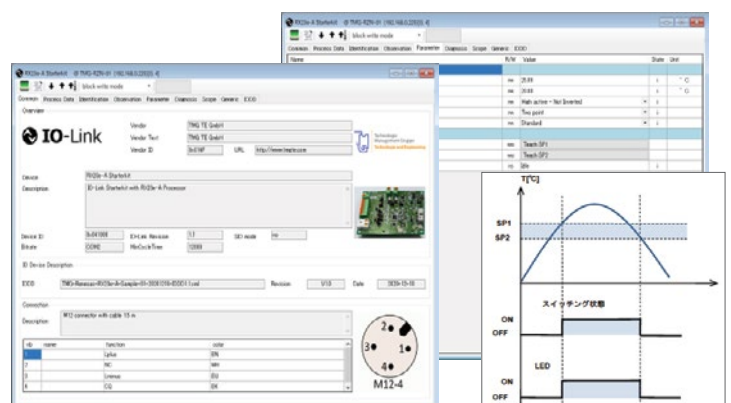
Application Example



*TMG stack library: Valid for evaluation purpose only, a separate contract with stack vendor is required for mass production.

Key Features

- Check [RX23E-A RSSK](#) information, monitor temperature measurement and parameter setting on PC with IO-Link tool.
- Teach In function enables LED power control (on/off) according to temperature measurement set from PC.



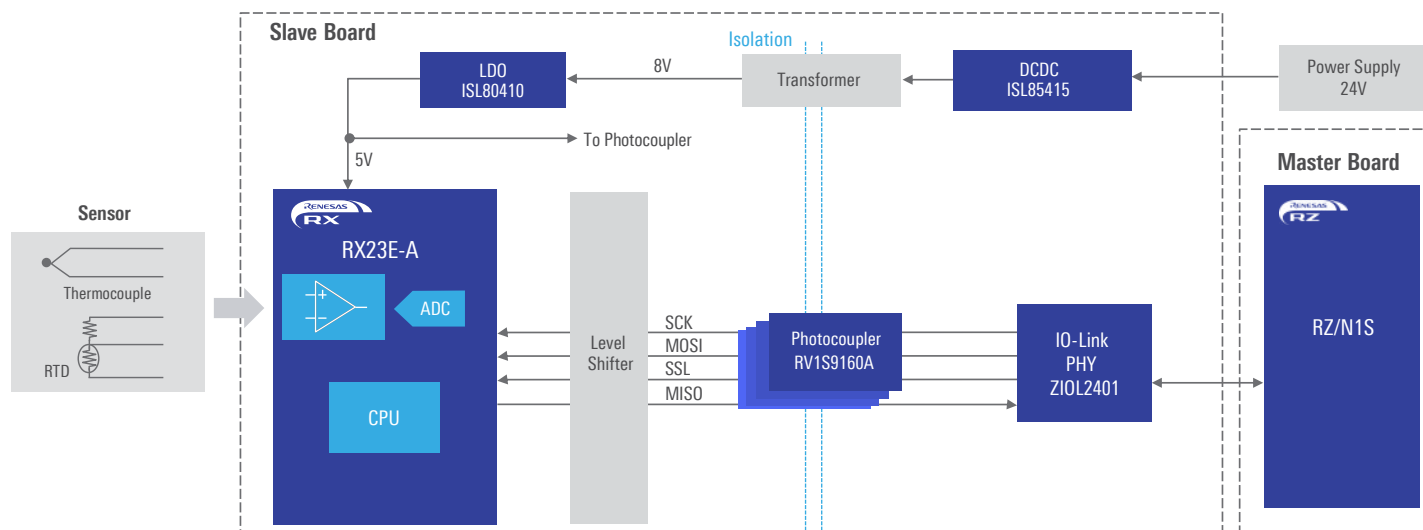
LED (Two-point mode)

Recommended Products

Product	Description
RX23E-A	32-bit MCU RX23E-A with built-in high precision Analog front-end
ZIOL2401	Dual Channel IO-Link HV Line Driver with Integrated DC/DC Converter



System Block Diagram



Useful Information for Development

Category	Title	Description
Website	IO-Link Device Solution	Introducing IO-Link Sensor Temperature Solution.
RSSK	Renesas Solution Starter Kit for RX23E-A	Evaluation board with RX23E-A and peripheral circuits for sensor measurement
Network Connecting Board	IA Sensor Network Connector Board (RTK0EF0085B00001BJ)	Network board and connecting board with IO-Link PHY. Available for rent (Please contact Renesas distributors or below contact form)
Application Note	RX23E-A Group Example of IO-Link device (temperature sensor)	Sample program for temperature measurement and IO-Link communication through RX23E-A (Doc. No: R01AN5676EJ0100)
Website	Industrial Sensor Network Solution	Introducing optimal product combination as winning combination

Contact us: <https://en-support.renesas.com/dashboard>