

Analog IP

8 - 24 MHz Xtal Oscillator

Overview

This IP is Xtal Oscillator for MHz clock generation.

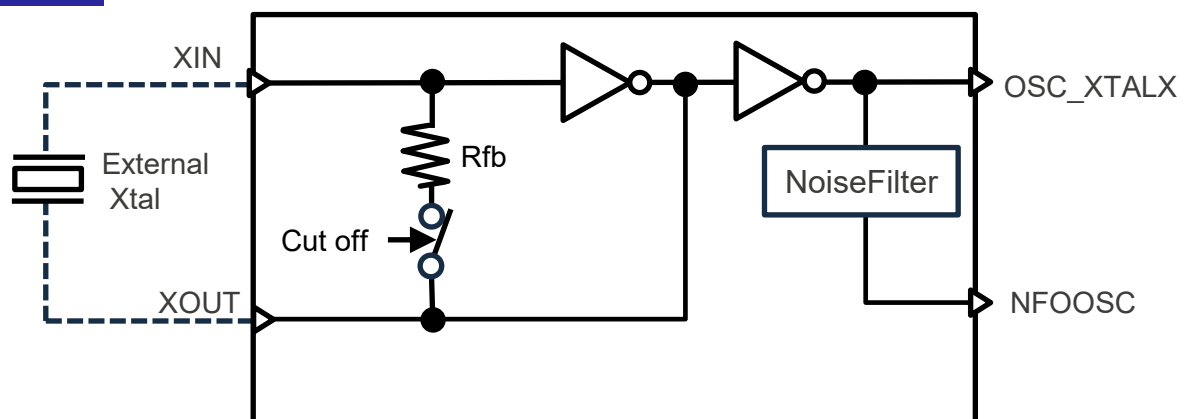
Technology

Process: TSMC T22ULP

Features

- 8 - 24MHz, clock generation with crystal resonator.
- External clock input mode is supported.
- The clock noise filter is included.
- Power-down mode is supported.
- Include the feedback resistor(Rfb).
- Rfb can be cut off.
- Not include the dumping resistor(Rd) and the internal cap.
- At test mode, amp schmitt level can be measured.
- Supply Voltage
 - Analog: 1.60 - 1.98 [V]
 - Digital: 0.81 - 0.99[V]
- Output: 8 - 24[MHz]
- CL of the external Xtal: 8 - 9[pF]

Block diagram



CTPD-24-143
R06PF0059EJ0101