

Interface IP

USB2.0 Transceiver for Samsung

28nm FD SOI

Overview

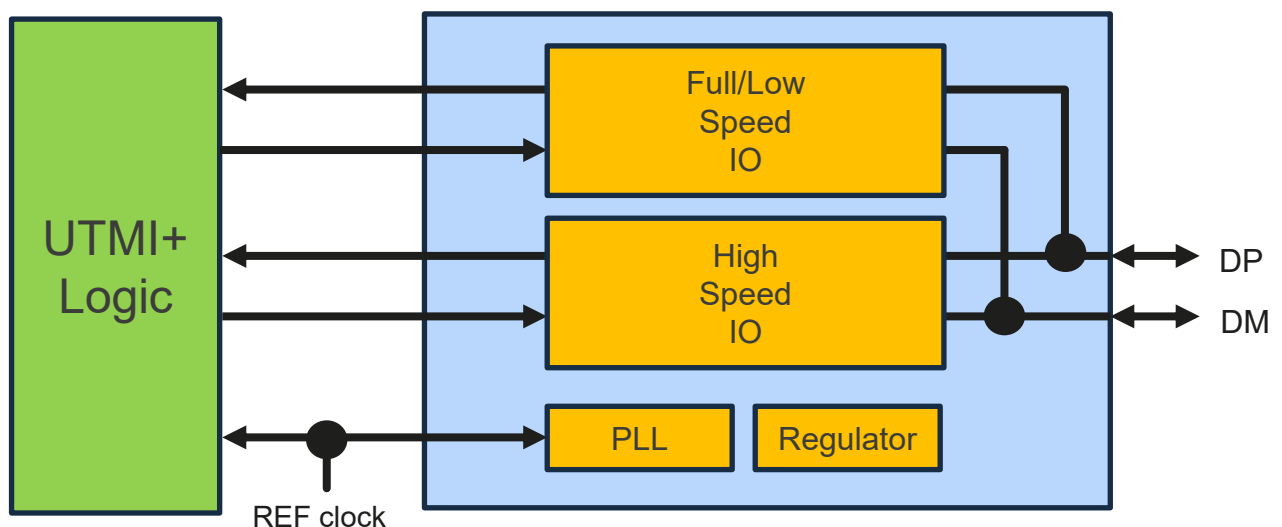
The Renesas USB2.0 Transceiver is useful analog Multi port transceiver hard macro for UTMI (USB2.0 Transceiver Marco cell Interface) + Level3 of Samsung 28nm FD SOI process. This macro can be configured to operate as a USB2.0 peripheral or USB2.0 host controller.

Key Features

- Renesas USB2.0 Transceiver can be used for analog transceiver of following interface .
 - Universal Serial Bus Specification Revision 2.0
 - Battery Charging Specification Revision 1.2
- Supports Multi port. (1 or 2 port type are available)
- Technology is Samsung 28nm FD SOI 8M .
- Supply voltage can be applied 1.1V for overdrive of core voltage, 1.8V and 3.3V for IO voltage.
- USB transfer mode is high speed (480 Mbps), full speed (12 Mbps), and low speed (1.5 Mbps) modes.
- A terminal resistance, pull up resistor, and pull down resistor are included.
- Input reference clock is 48MHz, 30MHz, 24MHz and 20MHz.

*Before purchasing or using any Renesas Electronics products listed herein, please refer to the latest product manual and/or data sheet in advance.

Block Diagram



*This IP is contract design IP. Please contact for detail.

CTPD-24-116
R06PF0097EJ0100