

# ISL97519 Evaluation Board Application Manual

## Description

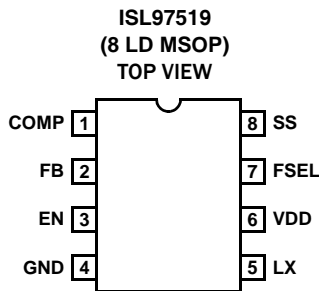
The ISL97519IUZ-EVALZ evaluation board is an evaluation kit for evaluating the ISL97519IUZ-EVALZ, a step-up voltage regulator that operates with high frequency and high efficiency. This evaluation kit is designed to deliver over 90% efficiency.

The ISL97519IUZ-EVALZ kit provides a dip switch that allows users to select either 600kHz or 1.2MHz switching frequency.

## Key Features

- A Complete Evaluation Platform for Evaluation of ISL97519
- Input Voltage: 2.3V to 5.5V
- Proven Evaluation Board Layout
- Pb-free (RoHS Compliant)

## Pin Configuration



## Ordering Information

PART #	DESCRIPTION
ISL97519IUZ-EVALZ	Evaluation Board for ISL97519

## Quick Setup Guide

- Step 1:** Connect the power supply between the headers of VIN and GND. The positive output of the power supply should be connected to the VIN header. Set the power supply voltage between 2.3V and 5V, and the current limit at 3A.
- Step 2:** Connect the E-load between the headers of VOUT and GND. The positive input of the E-load should be connected to the VOUT header. Set the E-load current. The load current should not exceed the maximum output current that the part can supply.
- Step 3:** Close pins 1 and 4 of S1 to tie the FSEL pin to VIN. This will set the switching frequency to 1.2MHz. Open pins 1 and 4 to pull FSEL to ground with R4 to set the frequency to 600kHz.
- Step 4:** Close pins 2 and 3 of S1 to tie the EN pin to VIN in order to enable the part. To disable the part, open pins 2 and 3 in order to pull EN to ground with R3 to disable the part.

Make sure all the connections on the evaluation board are correct, then turn on the power supply and E-load. The part will start to operate.

## Maximum Output Current

The MOSFET current limit is normally 2.0A and guaranteed at 1.7A. This restricts the maximum output current that the ISL97519 can drive. Table 1 shows the ISL97519IUZ-EVALZ maximum output current,  $I_{O\text{MAX}}$  at different input and output voltages.

**TABLE 1. TYPICAL MAXIMUM OUTPUT CURRENT**

$V_{\text{IN}}$ (V)	$V_{\text{OUT}}$ (V)	$I_{\text{O\text{MAX}}}$ (mA)
2.5	5	870
2.5	9	500
2.5	12	380
3.3	5	1150
3.3	9	655
3.3	12	500
5	9	990
5	12	750

Board Design Schematic

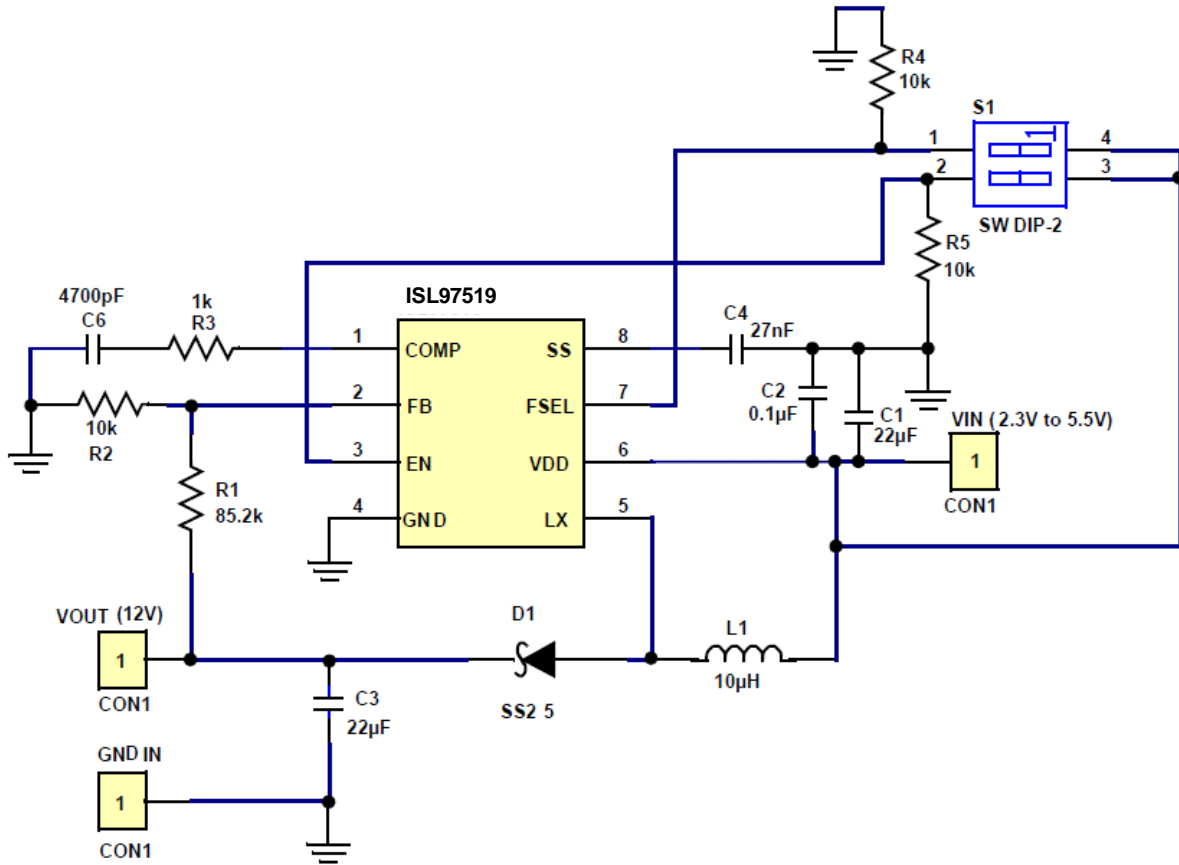


FIGURE 1. SCHEMATIC

## Evaluation Board Layout

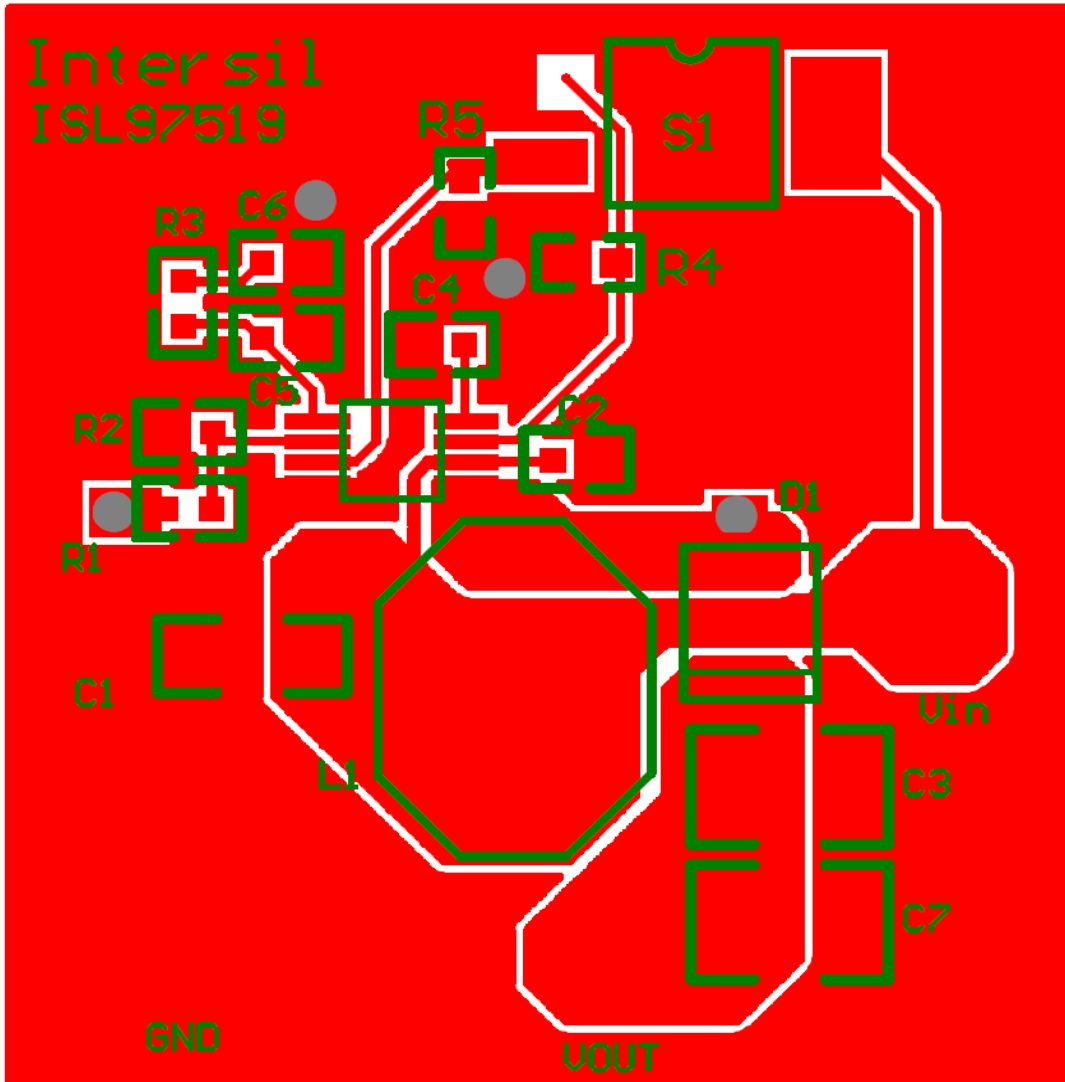


FIGURE 2. EVB ASSEMBLY LAYER

**Evaluation Board Layout** (Continued)

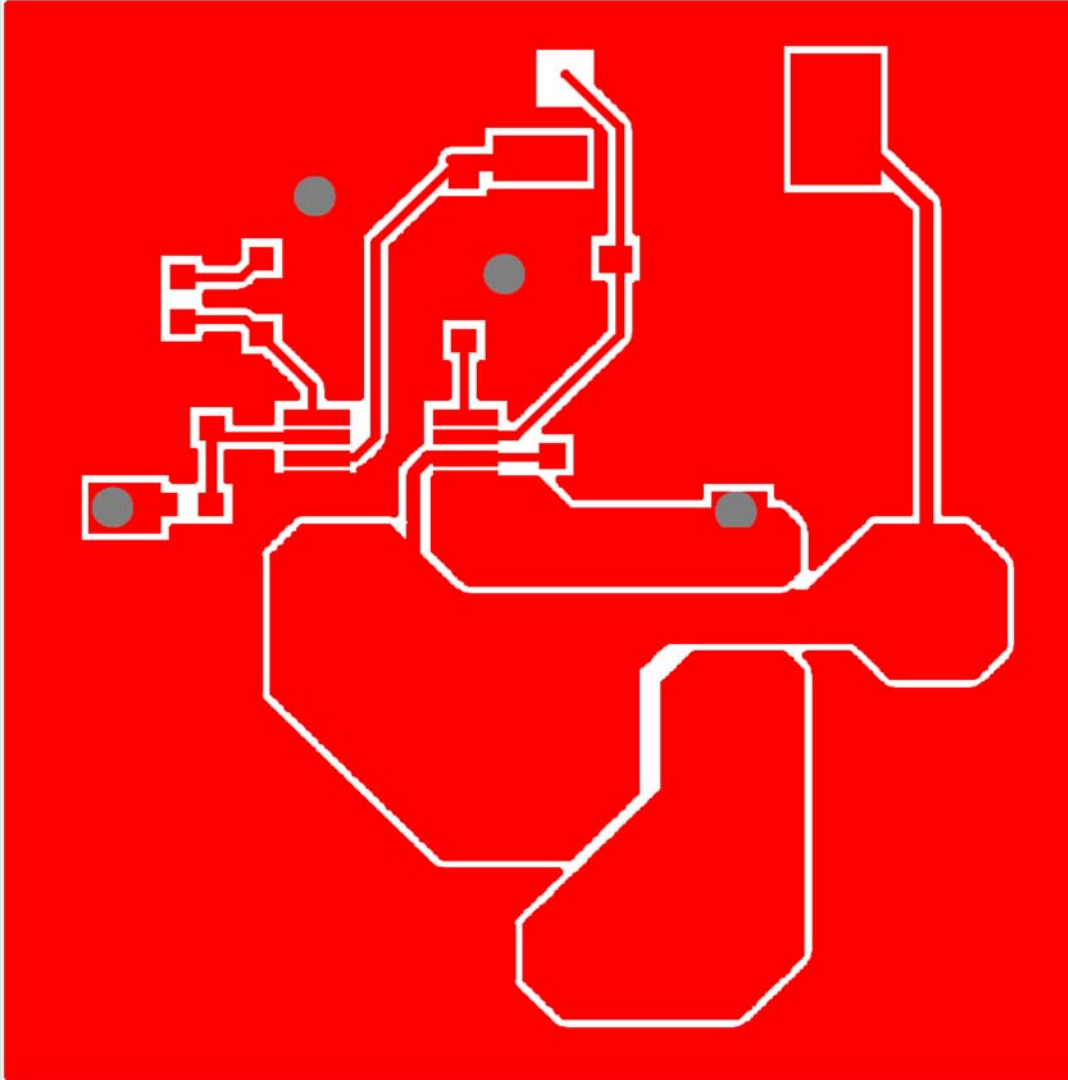


FIGURE 3. TOP LAYER

**Evaluation Board Layout** (Continued)

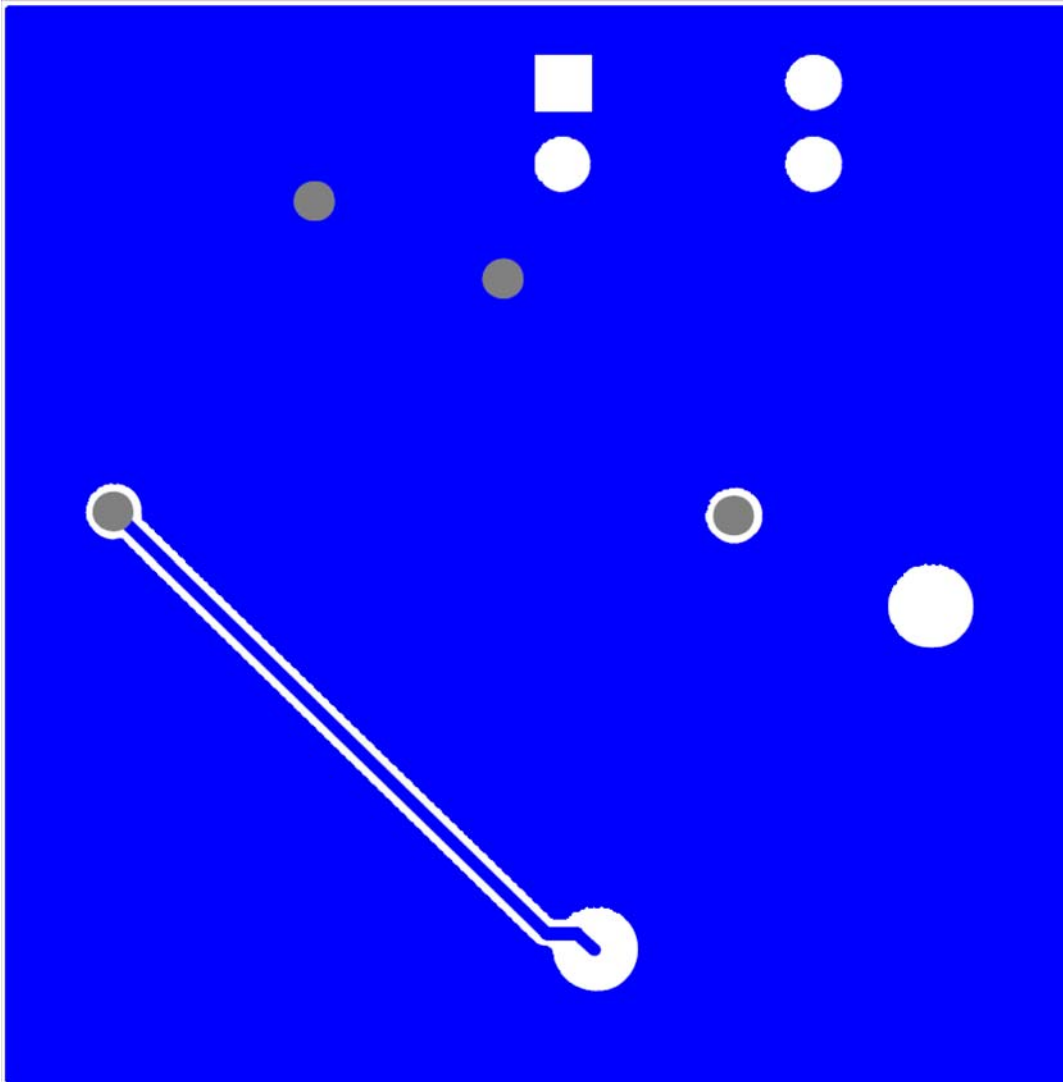


FIGURE 4. BOTTOM LAYER

# Application Note 1644

TABLE 2. ISL97519IUZEVALZ BILL OF MATERIALS (BOM)

ITEM	QTY	REFERENCE	PART DESCRIPTION	PCB FOOTPRINT	PART NUMBER	VENDOR
1	1	C4	27nF	603		TDK
2	1	C6	4700nF	603		TDK
3	1	C2	0.1μF/16V	603	C1068X7R1H104K	TDK
4	1	R1	85.2k	603		WALSIN
5	3	R2, R4, R5	10k	603	WR06W1002JTL	WALSIN
6	1	R3	1k	603		
8	1	C3	22μF	1206		MURATA
9	1	C1	22μF	1206	GRM31CR61C226KE15L	MURATA
10	1	L1	10μF	CDRH8D43-100NC		SUMIDA
11	1	U1	ISL97519	MSOP-8	ISL97519	INTERSIL
12	1	VOUT (12V)	CON1	Powerpost		
13	1	VIN (3.3V)	CON1	Powerpost		
14	1	GND IN	CON1	Powerpost		
15	1	D1	SS25	DO-214A	SS25	Fairchild
16	1	S1	SWDIP-2	DIP4		CKN3001-ND

Intersil Corporation reserves the right to make changes in circuit design, software and/or specifications at any time without notice. Accordingly, the reader is cautioned to verify that the Application Note or Technical Brief is current before proceeding.

For information regarding Intersil Corporation and its products, see [www.intersil.com](http://www.intersil.com)