

R5 F 213 8 C C N FP #V0

R5 Renesas MCU
F ROM Type F: Flash
213 R8C/3x Series

Product Group

38A	Hi-performance
3xC	
3xD	Standard function
3xM	On-chip oscillator
3xU	USB peripheral
3xK	USB host & peripheral
3xT	Capacitive touch
3xQ	2.4 GHz Band Wireless
3xW	For automotive built-in can bus
3xX	
3xY	
3xZ	
34P	For automotive without can bus
34R	

Pin Count

2	20
3	32
4	48
5	52
6	64
8	80
G	24
J	36
M	40
N	48(WPP)

ROM Size

1	4KB
2	8KB
3	12KB
4	16KB
5	24KB
6	32KB
7	48KB
8	64KB
A	96KB
C	128KB

Packaging, Material (Pb-free)

#V2	Tray/Tube	Sn (Tin) only
#U0	Tray	SnCu and others
#X6	T&R	Sn (Tin) only
#W4	T&R	SnCu and others

Package

FP	LQFP
FA	LQFP
SP	LSSOP
NP	QFN
LG	FLGA

Temperature & Applications

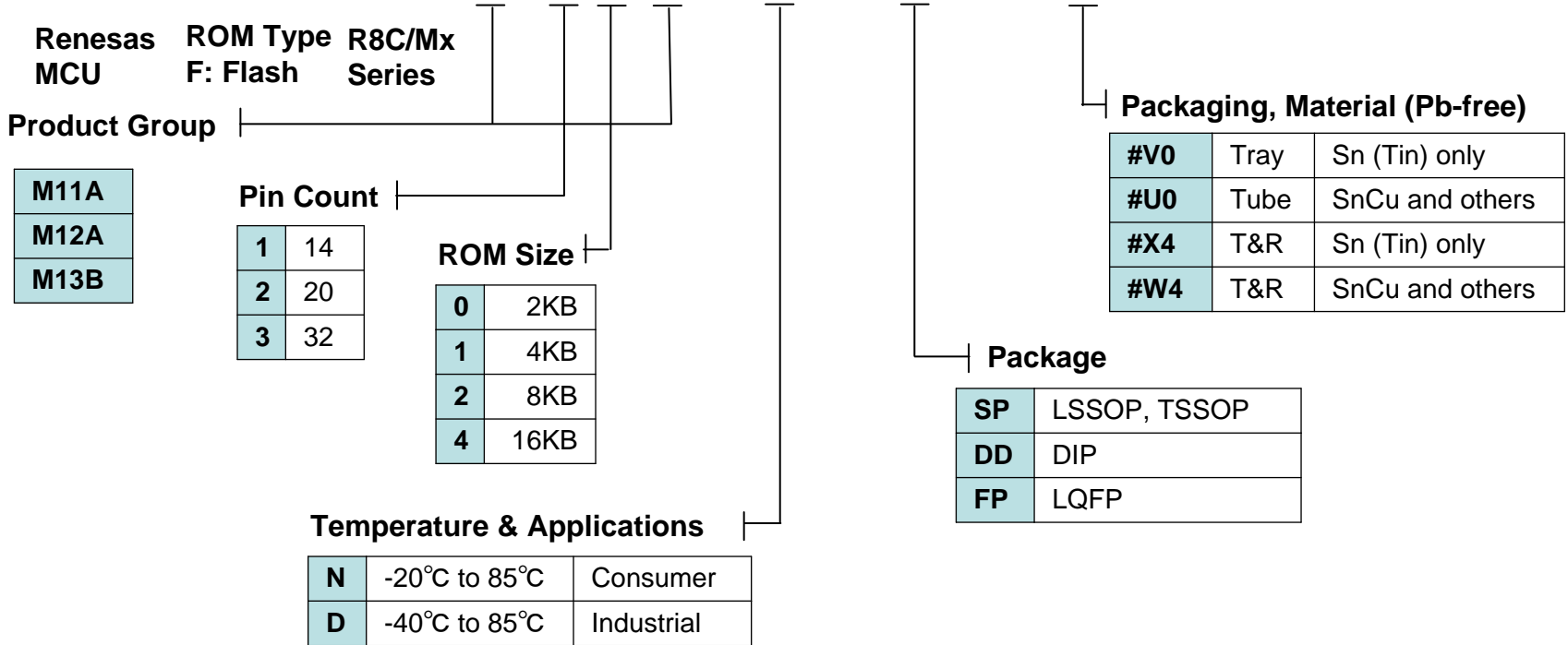
N	-20°C to 85°C	Consumer
D	-40°C to 85°C	Industrial
J	-40°C to 85°C	Automotive
K	-40°C to 125°C	Automotive

R8C/3x Series

Example shown here:

R8C/38 C(80-pin), Part number R5F2138CCNFP#V0

R5 F 2M120A N SP #U0



R8C/Mx Series

Example shown here:

R8C/M12A (20-pin), Part number R5F2M120ANS#U0

R5 F 2L3 5 7 C N FP #V2

R5 Renesas MCU
F ROM Type F: Flash
2L3 R8C/Lx Series

Product Group

LxA	Super Low Power
L3xC	Hi-performance
L3xM	Hi-performance
LAPS	Super Low Power

Pin Count

3	32
5	52
6	64
8	80
A	30

ROM Size

2	8KB
4	16KB
6	32KB
7	48KB
8	64KB
A	96KB
C	128KB

Packaging, Material (Pb-free)

#V0	Tray	Sn (Tin) only
#V2	Tray	SnCu and others

Package

FP	LQFP
FA	LQFP
SP	LSSOP

Temperature & Applications

N	-20°C to 85°C	Consumer
D	-40°C to 85°C	Industrial

R8C/Lx Series

Example shown here:

R8C/L35C (52-pin), Part number R5F2L357CNFP#V2

R5 F 2154 C E J FP #V0

Renesas MCU
ROM Type F: Flash
R8C/5x Series

Product Group

Product Group	R8C/5x Series	Features
54xE	R8C/54E	CAN, Data Flash
54xF		CAN, No Data Flash
54xG		No CAN, Data Flash
54xH		No CAN, No Data Flash
56xE	R8C/56E	CAN, Data Flash
56xF		CAN, No Data Flash
56xG		No CAN, Data Flash
56xH		No CAN, No Data Flash

ROM Size

6	32KB
7	48KB
8	64KB
A	96KB
C	128KB

Packaging, Material (Pb-free)

#V0	Tray	Sn (Tin) only
#X4	T&R	Sn (Tin) only

Package

FP	LQFP
----	------

Temperature

J	-40°C to 85°C
K	-40°C to 125°C

R8C/5x Series

Example shown here:

R8C/54E (48-pin), Part number R5F2154CEJFP#V0

R5 F 2120 6 J FP #U2

Renesas MCU
ROM Type F: Flash
R8C/2x Series

Product Group

20	R8C/20	No Data Flash
21	R8C/21	1KB x 2 Data Flash
22	R8C/22	No Data Flash w/ CAN
23	R8C/23	1KB x 2 Data Flash w/ CAN
24	R8C/24	No Data Flash
25	R8C/25	1KB x 2 Data Flash
26	R8C/26	No Data Flash
27	R8C/27	1KB x 2 Data Flash
28	R8C/28	No Data Flash
29	R8C/29	1KB x 2 Data Flash
2A	R8C/2A	No Data Flash
2B	R8C/2B	1KB x 2 Data Flash
2C	R8C/2D	No Data Flash
2D	R8C/2C	1KB x 2 Data Flash
2E	R8C/2E	No Data Flash
2F	R8C/2F	1KB x 2 Data Flash
2G	R8C/2G	No Data Flash
2H	R8C/2H	No Data Flash
2J	R8C/2J	No Data Flash
2K	R8C/2K	No Data Flash
2L	R8C/2L	1KB x 2 Data Flash

ROM Size

1	4KB
2	8KB
4	16KB
5	24KB
6	32KB
7	48KB
8	64KB
A	96KB
C	128KB

Packaging, Material (Pb-free)

#V2	Tray	Sn (Tin) only
#U2	Tray/Tube	SnCu and others
#X6	T&R	Sn (Tin) only
#W4	T&R	SnCu and others

Package

FP	LQFP
LG	BGA
SP	LSSOP
FA	LQFP

Temperature

N	-20°C to 85°C
D	-40°C to 85°C
J	-40°C to 85°C
Y	-20°C to 105°C
K	-40°C to 125°C

R8C/2x Series

Example shown here:

R8C/20 (48-pin), Part number R5F21206JFP#U2

R5 F 2118 4 D SP #U0

R5 Renesas MCU
F ROM Type F: Flash
2118 4 R8C/1x Series

Product Group

18	R8C/18	No Data Flash
19	R8C/19	1KB x 2 Data Flash
1A	R8C/1A	No Data Flash
1B	R8C/1B	1KB x 2 Data Flash

ROM Size

1	4KB
2	8KB
3	12KB
4	16KB

Temperature

N	-20°C to 85°C
D	-40°C to 85°C

Packaging, Material (Pb-free)

#U0	Tray/Tube	SnCu and others
#W4	T&R	SnCu and others

Package

DD	SDIP
SP	LSSOP
NP	HWQFN

R8C/1x Series

Example shown here:

R8C/18 (20-pin), Part number R5F21184DSP#U0