

QCIOT-RTC22MPOCZ

The QCIOT-RTC22MPOCZ board features the low power ISL12022M RTC devices with an embedded temperature sensor and 32.768kHz quartz crystal. The built-in automatic switchover to battery backup for power failure draw only 1.6µA extending battery life while providing continuous power to the 128 byte SRAM, oscillator and RTC registers.

The RTC tracks time with separate registers for hours, minutes and seconds. The calendar registers track date, month, year, and day of the week and are accurate through 2099 with automatic leap year correction.

The board provides a standard Pmod™ Type 6A (Extended I²C) connection for the on-board devices to plug into any MCU evaluation kit with a matching connector. QCIOT- RTC22MPOCZ features Pmod connectors on both sides of the board allowing additional Type 6/6A boards to be connected in a daisy-chained solution with multiple QCIOT boards on the same MCU Pmod connector.

Features

- Embedded 32.768kHz quartz crystal in the package
- 10-bit digital temperature sensor output
- 128 bytes battery backed user SRAM
- 1.6µA maximum battery current
- Time stamp for battery switchover
- Calendar and Auto daylight saving
- Standardized Type 6A Pmod™ connector supports Extended I²C interface
- Dual connectors allow pass-through signals for daisy-chained solutions

Board Contents

- QCIOT-RTC22MPOCZ Board

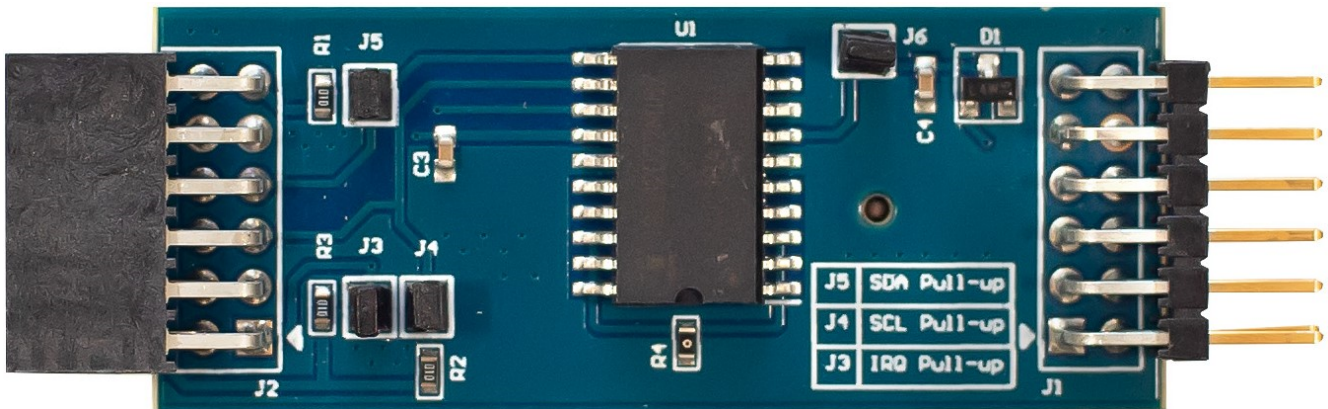


Figure 1. QCIOT-RTC22MPOCZ Board

Contents

1. Functional Description	3
1.1 Setup and Configuration	3
1.1.1 Software Installation and Usage	3
1.1.2 Software Setup	3
1.1.3 Programming Interface	3
1.1.4 Kit Hardware Connections	4
2. Board Design	6
2.1 Schematic Diagrams	6
2.2 Bill of Materials	7
2.3 Board Layout	7
3. Ordering Information	8
4. Revision History	8

1. Functional Description

The QCIOT-RTC22MPOCZ board functions as a building block enabling the designer to create a fast prototyping custom system solution. Use the board individually or with a combination of other QCIOT boards by using the Pmod Type 6A interface. For a list of available sensor Pmod boards, visit the Renesas [Quick-Connect IoT](#) web page.

1.1 Setup and Configuration

The following additional lab equipment is required for using the board (and is sold separately):

- FPB-RA4E1

1.1.1 Software Installation and Usage

For more information on creating a full system design, further information on software development, and additional hardware availability, visit the Renesas website for the latest version of the e2 studio [installer](#). The minimum FSP version supporting the QCIOT-RTC22MPOCZ is FSP 5.1.0. For the latest sensor support, ensure that the latest release is used.

Visit the Renesas [Quick-Connect IoT](#) site for more information about creating your customized system solution.

1.1.2 Software Setup

The [US082-INTERPEVZ](#) interposer board is required when using one of the Renesas MCU kits listed in [Table 1](#).

Table 1. MCU Kits^[1] Capable of Supporting Type 6A Pmod Boards When Used with US082-INTERPEVZ

RA	RX	Synergy
EK-RA4W1 Evaluation Kit	RSK-RX111 Starter Kit	PK-S5D9 Promotion Kit
EK-RA2A1 Evaluation Kit	RSK-RX231 Starter Kit	DK-S3A7 Development Kit
EK-RA4M1 Evaluation Kit	RSK-RX23W Starter Kit	DK-S128 Development Kit
EK-RA6M1 Evaluation Kit	RSK-RX23T Starter Kit	TB-S1JA Target Board
EK-RA6M2 Evaluation Kit	RSK-RX24T Starter Kit	TB-S3A6 Target Board
EK-RA6M3 Evaluation Kit	RSK-RX24U Starter Kit	DK-S7G2 Development Kit
EK-RA6M3G Evaluation Kit	-	-

1. This table is not a comprehensive list of supported MCU Kits. See the evaluation kit hardware manual to confirm Pmod pinout.

1.1.3 Programming Interface

Programming of the system is accomplished through the Renesas IDE [e2 studio](#). See the MCU evaluation kit documentation to setup the initial project in e2 studio and use the following steps:

1. From the Project Explorer tab, locate and open the **script** folder and double-click on **configuration.xml**.
2. Add the following stack element by clicking the *New Stack* button and editing the configuration values for desired operation (see [Figure 2](#)).
3. Click the *Generate Project Content* icon and the system will generate the code for the MCU to communicate to the RTC Pmod board.

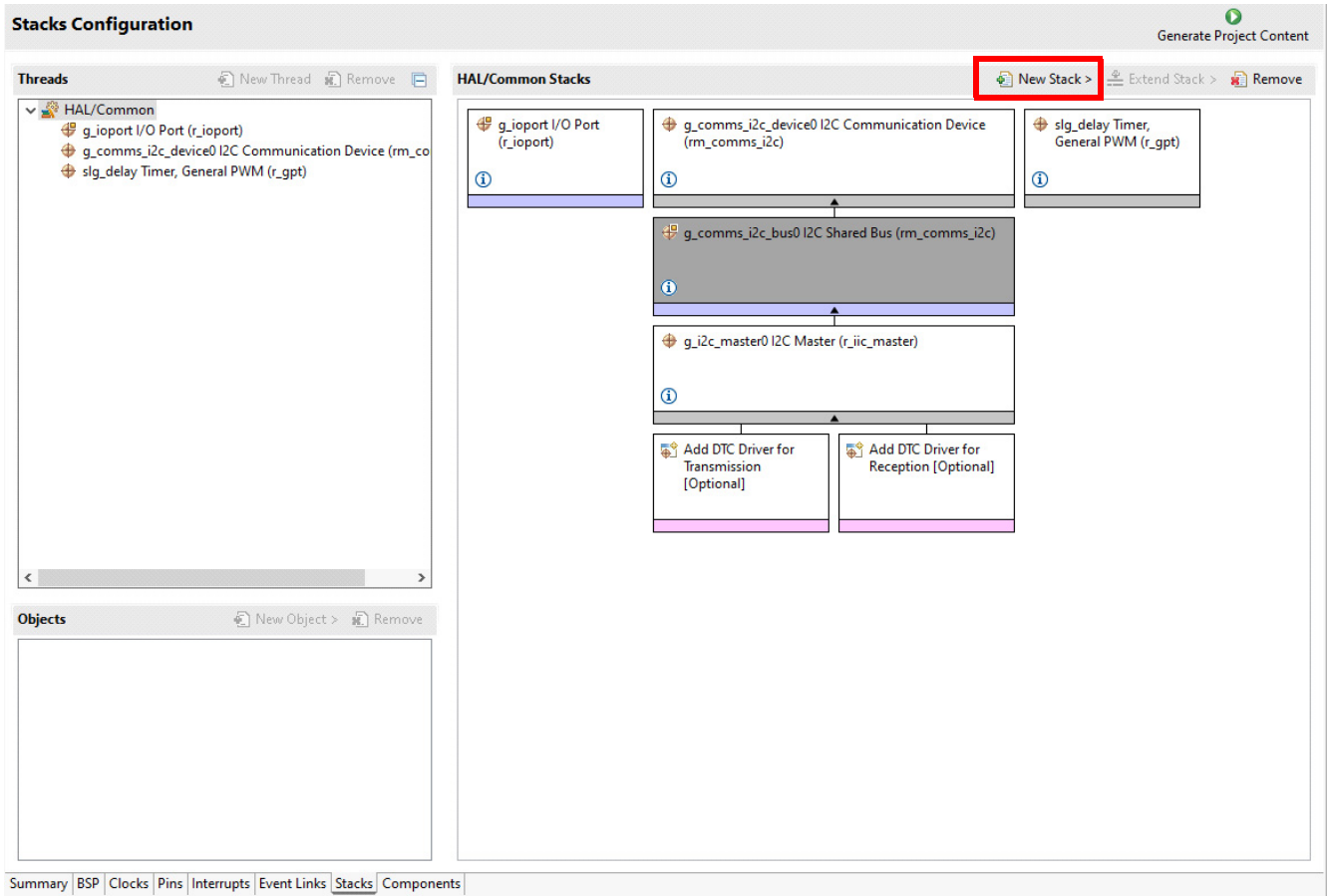


Figure 2. Stacks Configuration Window

1.1.4 Kit Hardware Connections

Follow these procedures to set up the kit as shown in [Figure 3](#) and [Figure 4](#).

1. Ensure the MCU evaluation kit being used has a Pmod connector set to Type 6A (refer to the kit's hardware manual for settings).
 - a. If a Type 6A Pmod is unavailable, ensure the MCU evaluation kit can use the US082-INTERPEVZ interposer board. Insert the interposer board into the MCU connector before adding any sensor boards.
2. Plug in the QCIOT-RTC22MPOCZ board to the J26 connector on the EK-RA2L1 MCU evaluation board. Care must be taken when aligning Pin 1 on the MCU connector.
3. Connect the J4 and J5 jumpers to place 4.7k pull-up resistors on the I²C bus lines.
 - a. Only one set of pull-up resistors should be used on the I²C bus lines. If multiple QCIOT boards are used, only one board should have the jumpers present.
 - b. MCU kits typically do not have pull-up resistors present on these lines, however, ensure to check and verify if resistors are present.

The hardware is now set up and ready to be used in the system.

4. Connect the USB cable from the USB connector on the EKRA2L1 MCU board to an available USB port on the computer.
5. Open the [e2 studio](#) software. Go to *File* → *Import* → *General* → *Existing Projects into Workspace* → *Select archive file*. Click the *Browse* button and select the demo file named **QCIOT_RTC22POCZ**.
6. Click the *Finish* button.

- To set the time and date, open the `hal_entry.c` folder and change the hours, minutes, etc. An example is shown in the following image.

```

47 000009dc      uint8_t hoursValue = 11;
48 000009fc      uint8_t minutesValue = 59;
49 000009fe      uint8_t secondsValue = 55;
50 00000a00      uint8_t timeFormat = TIME_FORMAT_PM;
51
52 00000a0a      uint8_t monthsValue = 11;
53              uint8_t dateValue = 29;
54              uint8_t yearValue = 23;
55 00000a0c      uint8_t daysValue = FRIDAY;
    
```

- Click on the *Build* icon, then the *Debug* icon, then click on the *Resume* icon twice.



- Click on the *Renesas Debug Virtual Console* tab to display the time and date.

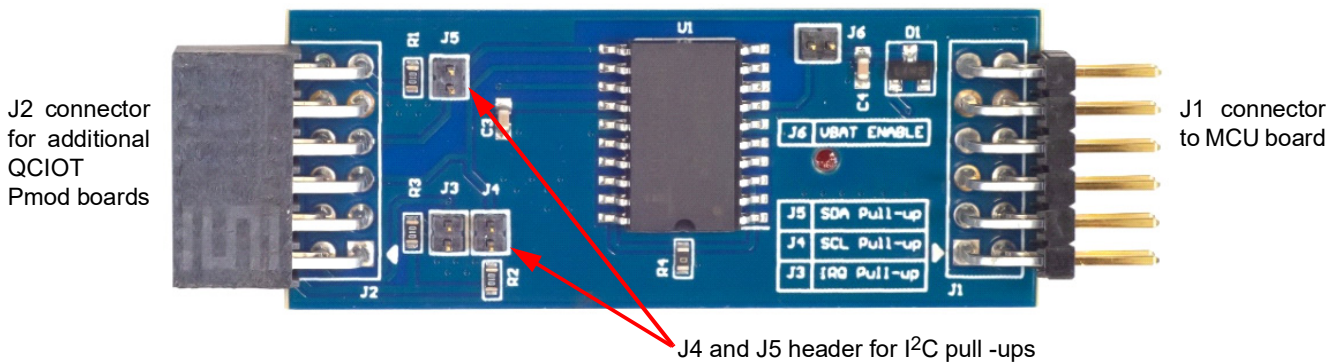
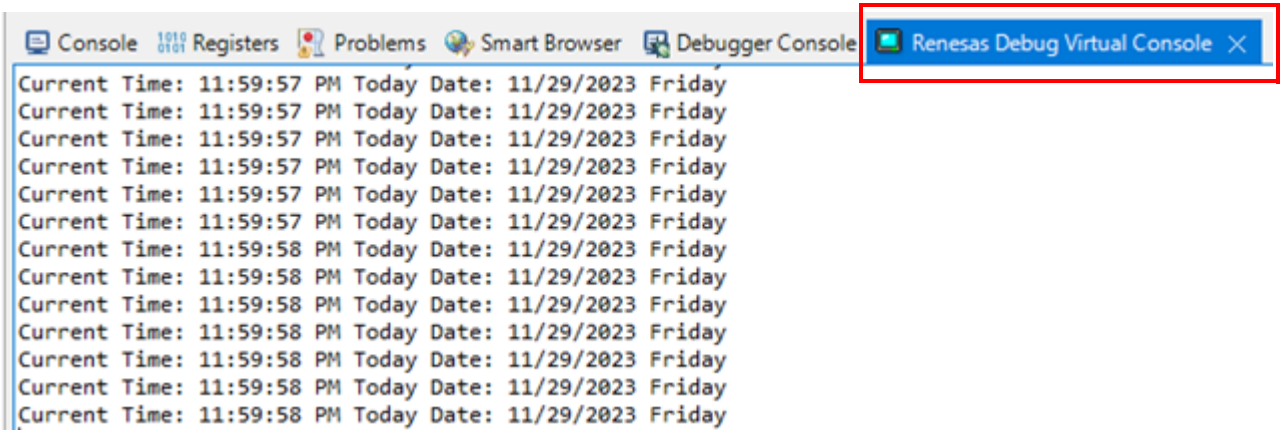


Figure 3. QCIOT-RTC22MPOCZ Board Connections

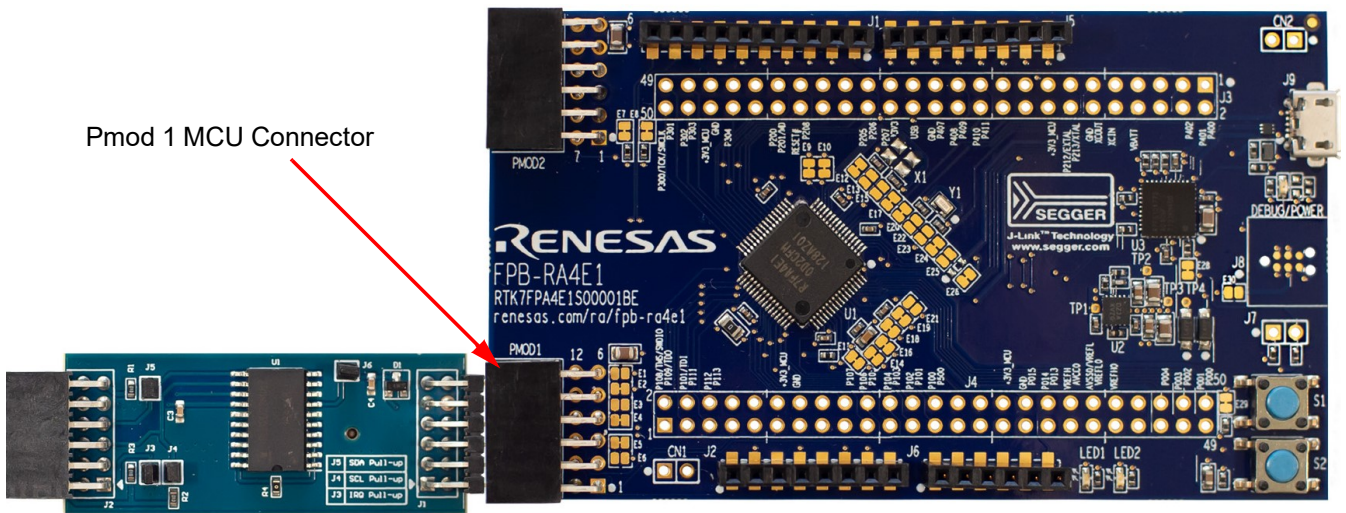


Figure 4. Evaluation Kit Connections

2. Board Design

2.1 Schematic Diagrams

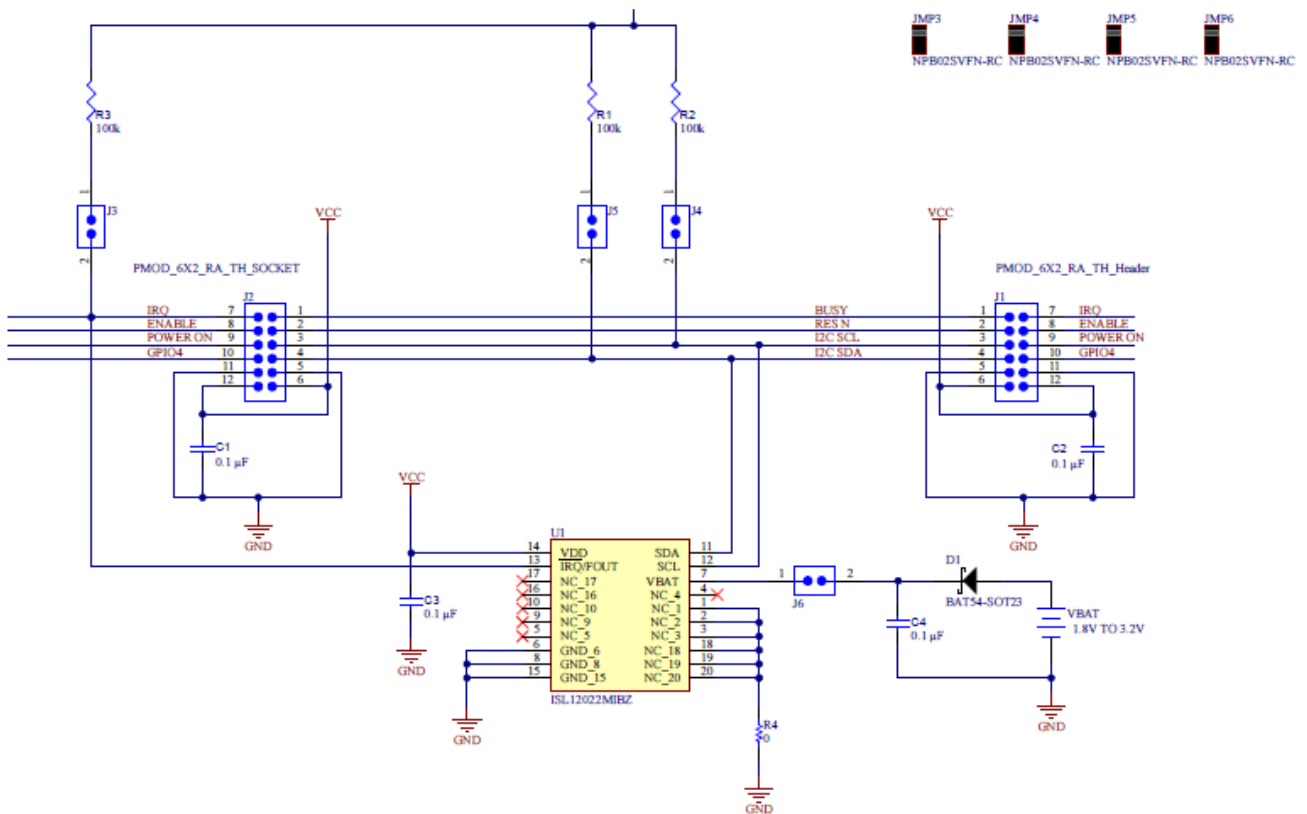


Figure 5. QCIOT-RTC22MPOCZ Application Schematic

2.2 Bill of Materials

Qty	Reference Designator	Description	Manufacturer	Part Number
1	C1, C2, C3, C4	0.1µF ±10% 50V Ceramic Capacitor X7R 0603 (1608 Metric)	KEMET	C0603C104K5RAC7013
1	D1	Schottky Diodes & Rectifiers BAT54/SOT23/TO-236AB	Nexperia	BAT54
1	J1	Headers & Wire Housings Classic PCB Header Strips, 0.100 pitch	Samtec	TSW-106-08-F-D-RA
1	J2	CONN RCPT 12POS 0.1 GOLD PCB R/A	Samtec	SSW-106-02-F-D-RA
4	J3, J4, J5, J6	Conn Header Vert 2POS 1.27MM	Samtec	FTS-102-01-L-S
3	R1, R2, R3	100kOhms ±1% 0.1W, 1/10W Chip Resistor 0603 (1608 Metric) Moisture Resistant Thin Film	YAGEO	RT0603FRE13100KL
1	R4	0 Ohms Jumper 0.1W, 1/10W Chip Resistor 0603 (1608 Metric) Automotive AEC-Q200 Thick Film	Stackpole Electronics	RMCF0603ZTOR00
1	U1	Real Time Clock (RTC) IC Clock/Calendar 128B I ² C, 2-Wire Serial 20-SOIC (0.295", 7.50mm Width)	Renesas	ISL12022MIBZ-T
1	VBAT	SMT coin cell holder CR1220	Harwin	S8411-45R

2.3 Board Layout

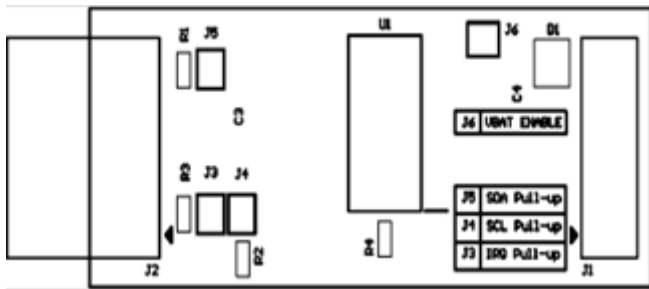


Figure 6. Silkscreen Top

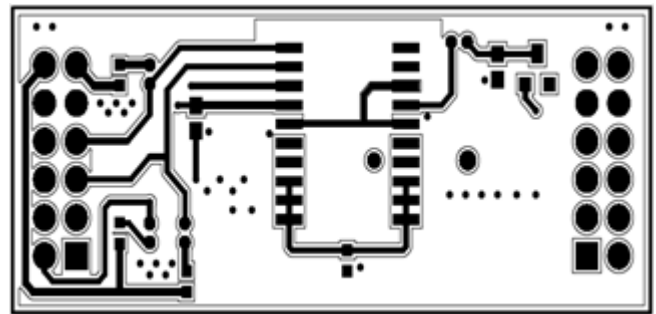


Figure 7. Copper Top

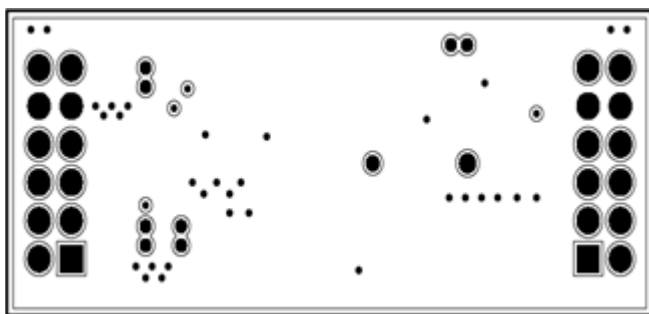


Figure 8. Copper L1 Layer

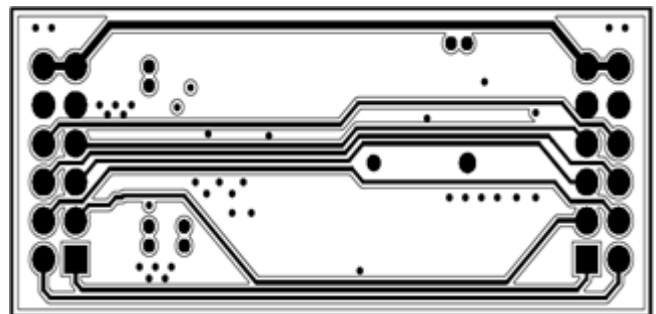


Figure 9. Copper L2 Layer

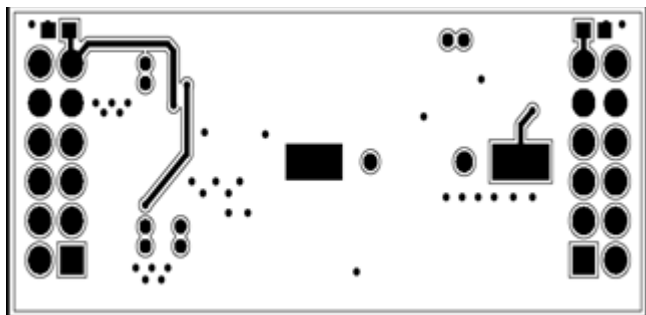


Figure 10. Copper Bottom

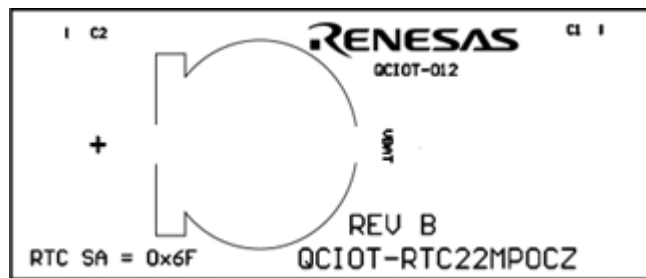


Figure 11. Silkscreen Bottom

3. Ordering Information

Part Number	Description
QCIOT-RTC22MPOCZ	RTC Pmod Board
US082-INTERPEVZ	Pmod interposer board to convert Type 2A and 3A to Type 6A on older Renesas MCU kits.

4. Revision History

Revision	Date	Description
1.01	Jul 16, 2024	Updated Figure 1 and Figure 4 .
1.00	Apr 3, 2024	Initial release.

IMPORTANT NOTICE AND DISCLAIMER

RENESAS ELECTRONICS CORPORATION AND ITS SUBSIDIARIES (“RENESAS”) PROVIDES TECHNICAL SPECIFICATIONS AND RELIABILITY DATA (INCLUDING DATASHEETS), DESIGN RESOURCES (INCLUDING REFERENCE DESIGNS), APPLICATION OR OTHER DESIGN ADVICE, WEB TOOLS, SAFETY INFORMATION, AND OTHER RESOURCES “AS IS” AND WITH ALL FAULTS, AND DISCLAIMS ALL WARRANTIES, EXPRESS OR IMPLIED, INCLUDING, WITHOUT LIMITATION, ANY IMPLIED WARRANTIES OF MERCHANTABILITY, FITNESS FOR A PARTICULAR PURPOSE, OR NON-INFRINGEMENT OF THIRD-PARTY INTELLECTUAL PROPERTY RIGHTS.

These resources are intended for developers who are designing with Renesas products. You are solely responsible for (1) selecting the appropriate products for your application, (2) designing, validating, and testing your application, and (3) ensuring your application meets applicable standards, and any other safety, security, or other requirements. These resources are subject to change without notice. Renesas grants you permission to use these resources only to develop an application that uses Renesas products. Other reproduction or use of these resources is strictly prohibited. No license is granted to any other Renesas intellectual property or to any third-party intellectual property. Renesas disclaims responsibility for, and you will fully indemnify Renesas and its representatives against, any claims, damages, costs, losses, or liabilities arising from your use of these resources. Renesas' products are provided only subject to Renesas' Terms and Conditions of Sale or other applicable terms agreed to in writing. No use of any Renesas resources expands or otherwise alters any applicable warranties or warranty disclaimers for these products.

(Disclaimer Rev.1.01 Jan 2024)

Corporate Headquarters

TOYOSU FORESIA, 3-2-24 Toyosu,
Koto-ku, Tokyo 135-0061, Japan
www.renesas.com

Trademarks

Renesas and the Renesas logo are trademarks of Renesas Electronics Corporation. All trademarks and registered trademarks are the property of their respective owners.

Contact Information

For further information on a product, technology, the most up-to-date version of a document, or your nearest sales office, please visit www.renesas.com/contact-us/.