

RC32012A

Evaluation Kit

The RC32012A evaluation board allows customers to evaluate Renesas ClockMatrix devices (e.g., RC32012A, QFN-72). This document discusses the following:

- The board's design, its power supply, and jumper settings
- The input and output connectors for normal operation
- How to bring up the board using the Timing Commander software GUI
- How to configure and program the board to generate standard-compliant frequencies

Kit Contents

The RC32012A EVK ships with the following:

- RC32012A Evaluation Board
- USB Type-A cable

PC Requirements

- Renesas [Timing Commander Software](#) installed
- [ClockMatrix GUI](#)
- USB 2.0 or USB 3.0 interface
- Windows XP SP3, or later
- Processor: Minimum 1GHz
- Memory: Minimum 512MB; recommended 1GB
- Available Disk Space: Minimum 600MB (1.5GB, 64-bit); recommended 1GB (2GB, 64-bit)
- Network access during installation if the .NET framework is not currently installed on the system

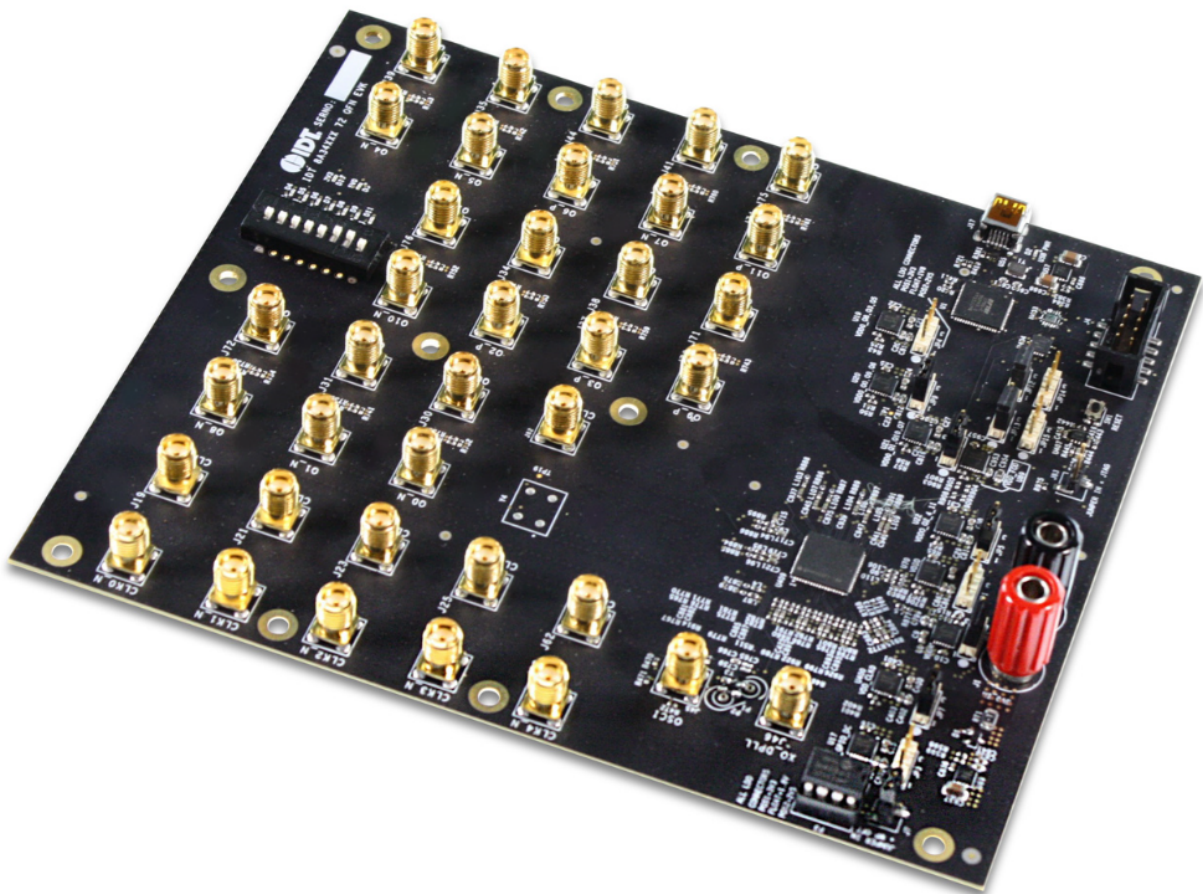


Figure 1. RC32012A Evaluation Board

Contents

1. Board Design	3
1.1 Board Power Supply	4
1.2 Voltage Selection Jumpers	4
1.3 GPIO Switches, LEDs, and Test Points	5
1.4 USB Jack	5
1.5 I2C between FTDI, ClockMatrix Device, and On-board EEPROM	6
2. Working with Timing Commander for Programing/Configuration	6
2.1 Default Operation	6
2.2 Using Timing Commander to Control the Board	9
2.3 Output Terminations and Rework to Take 1PPS Input	14
3. Schematic Diagrams	14
Appendix A. How to Upgrade the Firmware	15
4. Ordering Information	18
5. Revision History	18

1. Board Design

The following diagram identifies the various components of the evaluation board: input and output SMA connectors, power supply jacks, and some jumper settings necessary for the board operations. Detailed descriptions are included below.

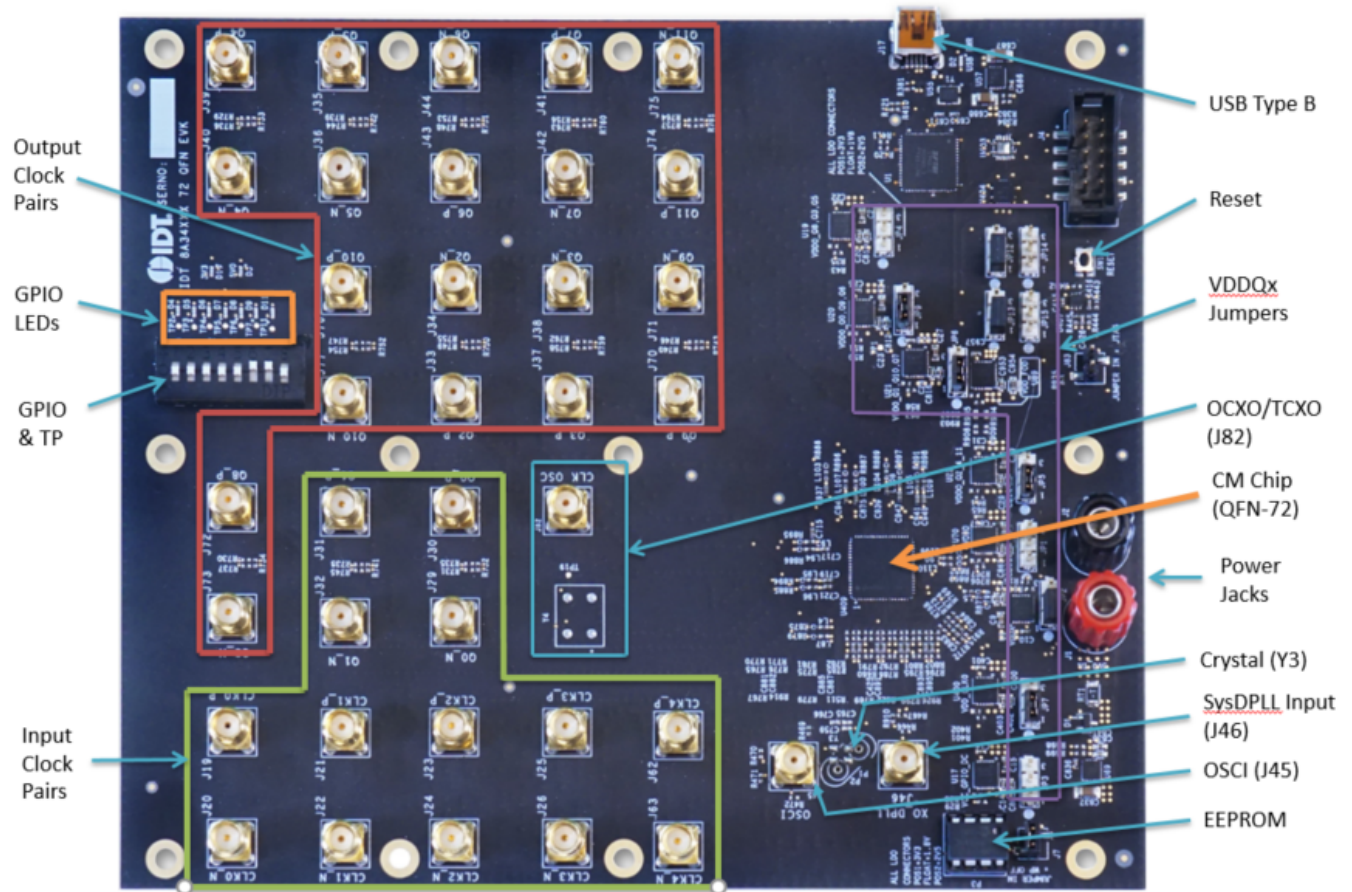


Figure 2. RC32012A Evaluation Board – Detailed

- **Input SMA connectors** – There are five differential inputs labeled CLK0/nCLK0 - CLK4/nCLK4. Each input clock can be configured differentially (LVDS, PECL 2.5V, and PECL 3.3V) or in single-ended format (CMOS).
- **Output SMA connectors** – There are 12 outputs labeled as Q0/nQ0 - Q11/nQ11. Each output clock can be configured differentially (LVDS, LVPECL, or user-defined amplitude) or in single-ended format (LVCMOS – in-phase or out-of-phase).
- **GPIO switch, LEDs, and Test points** – There are seven GPIOs available. Each GPIO can be set a “low” or “high” level (if input) or displayed with an LED (if output). Some GPIOs are used to set the chip in a certain working condition on power-up. For more information, see “Table 18. GPIO Pin Usage at Start-Up” in the *RC32012A Datasheet*.
- **USB connector** – A USB mini connector connects the evaluation board to a PC for GUI communications. No power is consumed from the USB connector other than to power the FTDI USB device.
- **VDDQx voltage selection jumpers** – Each output voltage can be individually supplied with 1.8V, 2.5V, or 3.3V. These jumpers are used to select the voltage for the output voltages.
- **Reset button**: A small button is used to reset the board.
- **OSCI Input connector** – An SMA connector, J45, is provided to optionally supply a clock signal to overdrive the crystal.
- **OCXO/TCXO Reference (Optional)** – An OCXO/TCXO footprint, output at J82. It can be connected to J46 (below) as the reference for System DPLL.

- **SysDPLL Input (Optional)** – An SMA connector, J46, is provided to supply a local OCXO/TCXO reference as an optional reference for System DPLL.
- **Crystal:** A crystal of various frequencies must be present for board operations. A 3225 footprint is provided for SMT crystals. For easy plug-in of a canned crystal, two through-holes are also available.
- **EEPROM** – An SO-8 socket is provided to hold an EEPROM device of compatible package. EEPROM is used to store firmware and customer configuration data, if needed.

1.1 Board Power Supply

The evaluation board uses a single +5V supply for its power supplies. When running the board, please set the bench power supply at 5V/2A. The red jack (J1) is positive; the black jack (J2) is the ground.

Multiple LDOs are used to generate 3.3V, 2.5V, and 1.8V from the +5V supply.

1.2 Voltage Selection Jumpers

There are eight headers/jumpers for selecting different voltages for different functional blocks of the device. Each header has Pin 1 and 3 labeled in silkscreen – jumping pin 1 and pin 2 will select 3.3V; jumping pin 2 and pin 3 will select 2.5V. No jumper will have 1.8V.

Please see the following example for JP4 and JP9 – JP4 will select 2.5V, JP9 will select 3.3V.

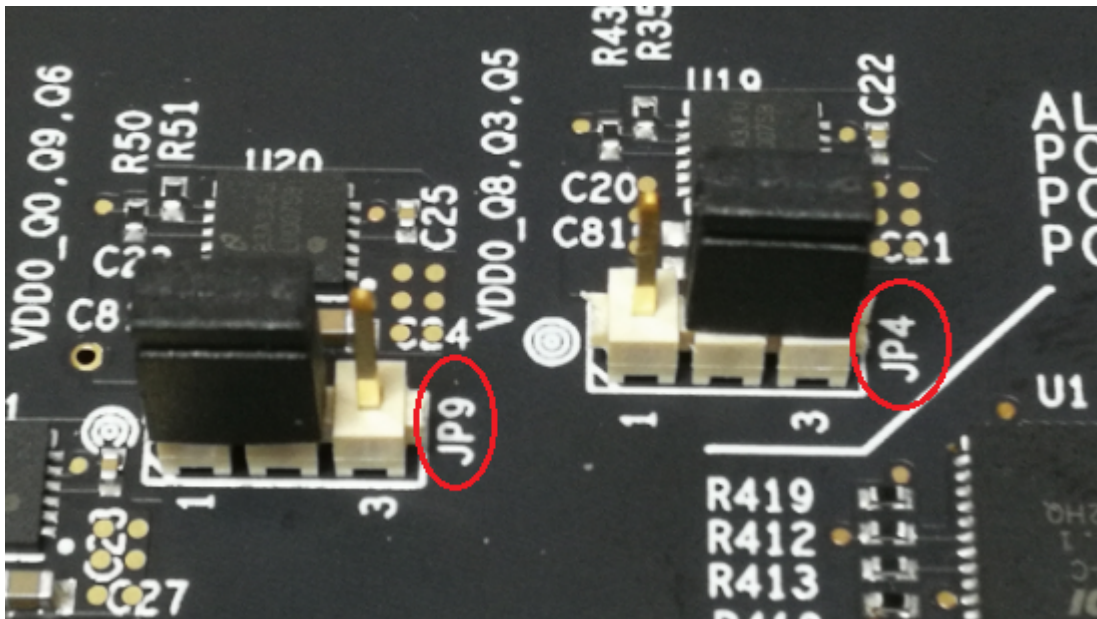


Figure 3. Example of Voltage Jumpers

The following list shows which head/jumper is used to select a specific voltage:

- JP1 – VDDD
- JP2 – VDDA
- JP3 – VCC_GPIO_DC
- JP4 – VDDO_Q8_3_5
- JP5 – VDDO_Q2_4_11
- JP6 – VDDO_1_10_7
- JP7 – VDD_CLK0
- JP9 – VDDO_Q0_9_6

Note: VDD_FOD voltage is selected by resistor R908 and R909. In order to prevent damage to the device, both R908 and R909 should not be stuffed, in which case VDD_FOD = 1.8V.

1.3 GPIO Switches, LEDs, and Test Points

An 8-bit, 3-position dip switch is used to set the logic levels for seven GPIOs (GPIO0-5, GPIO9). The GPIO levels for each setting and the corresponding LED state are listed in the following table (see picture and labels in Figure 4).

Table 1. GPIO Settings

Dip Switch Position	GPIO Logic Level	LED
Left	Low	On
Center	High if GPIO is configured as Input High or Low according to the GPIO output setting	High if GPIO is configured as Input High or Low according to the GPIO output setting
Right	High	Off

When the GPIOs are configured as outputs (such as User-Controlled or LOL indicator), the dip switch for the corresponding GPIO should be placed in the Center position. The LED will indicate the state of the GPIO.

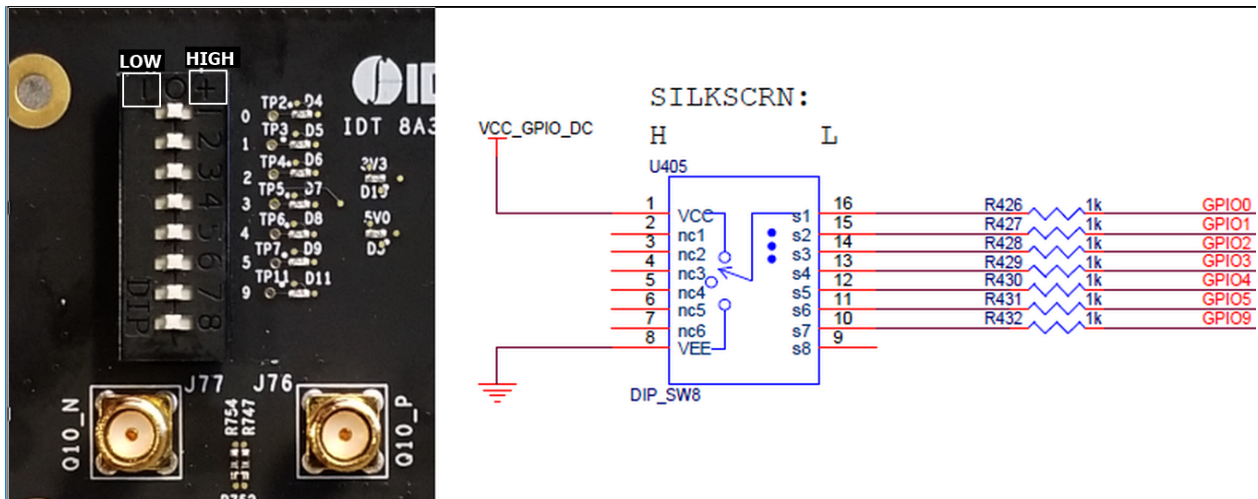


Figure 4. GPIO Setting and Status Display Area

1.4 USB Jack

This is a USB mini connector to the board. The other end of the USB cable is a USB Type A connector going to a PC.

1.5 I2C between FTDI, ClockMatrix Device, and On-board EEPROM

One of the major differences between the QFN-72 ClockMatrix device and its BGA-144 counterpart is that there is only one serial bus on the QFN-72 device. The I2C bus between the FTDI chip and ClockMatrix device is the same bus between the ClockMatrix device and the on-board EEPROM. The on-board EEPROM is used to store device firmware and/or customer's configuration data. JP12 and JP13 must be jumped between Pin 1 and 2 to enable the I2C connections.

Table 2. EEPROM I2C Connections

	JP12/JP13	JP12/JP13
Jumper position	Pin 1 and 2	Pin 2 and 3
I2C Path	FTDI and CM chip; CM chip and EEPROM	N/A

2. Working with Timing Commander for Programming/Configuration

The following sections are best cross-referenced with the [ClockMatrix GUI Step-by-Step User Guide](#) that is available on the [ClockMatrix Timing Solutions](#) page and various ClockMatrix device product pages.

2.1 Default Operation

The evaluation board can be operated off EEPROM, which has stored all information including firmware and a default configuration data. A default operation provides a sanity check on the board before running the board through the Timing Commander tool. Please set the board to the following default conditions (for jumper and switch positions, see [Figure 5](#)):

- Set all the GPIOs to the Center position. This will ensure that GPIO9 is high and that the serial port is configured for I2C 1-byte addressing.
- VDDA = 3.3V, VDD_GPIO_FOD = 1.8V, VDD0_Qx = 3.3V
- Crystal frequency 50MHz
- CLK0 = 25MHz
- FTDI, ClockMatrix device, and EEPROM share the same I2C bus by jumping Pin 1 and 2 of JP12 and JP13

With the above default conditions ready, connect the evaluation board to the PC using a USB cable (type A on the PC side and mini-type on the board side), and power up the board using a single +5V supply. On power-up, the ClockMatrix device will read its firmware and configuration data from EEPROM and update all the registers. When this process completes, the following frequencies are available:

- Q0 = 122.88MHz
- Q1 = 122.88MHz

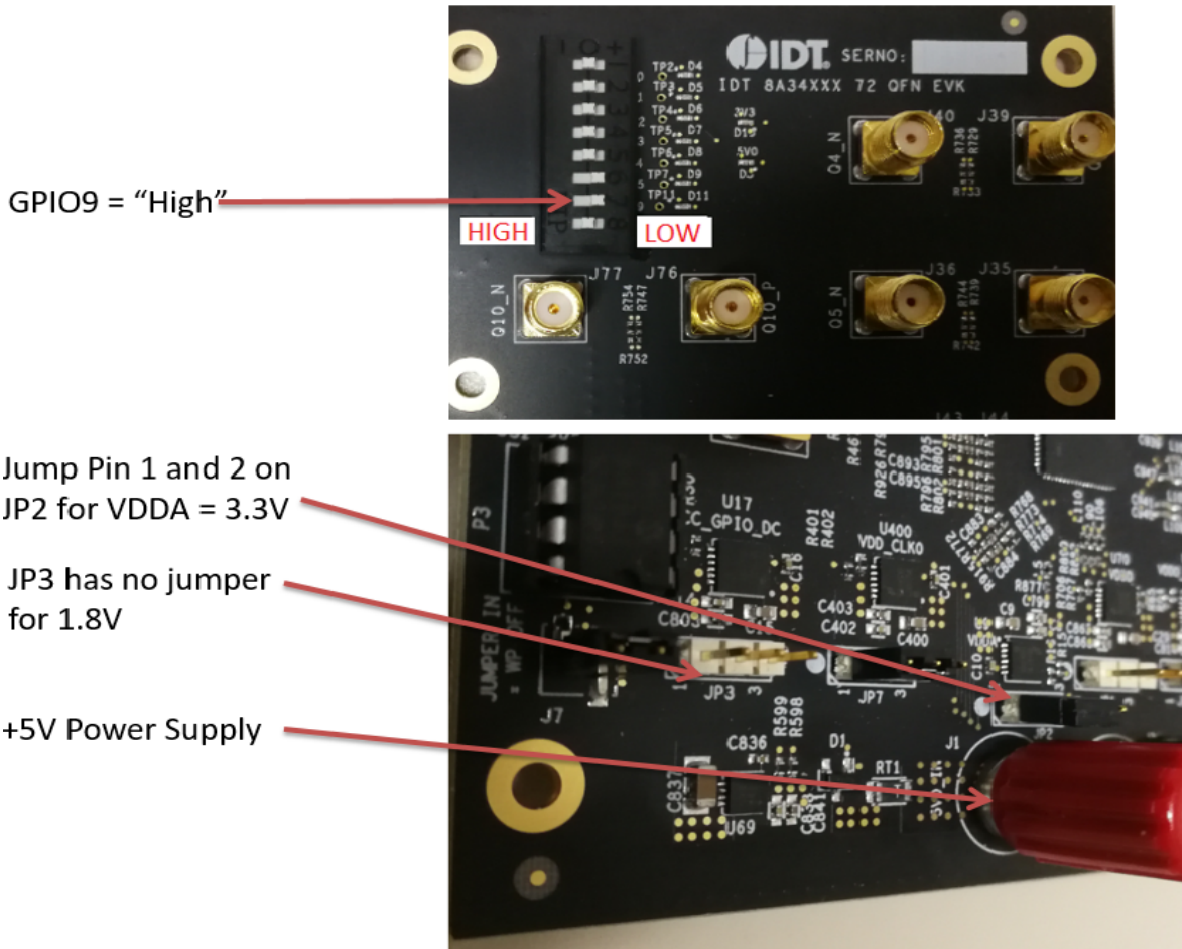


Figure 5. Board Setting for Default Operation

Note: In order to set GPIO9 to "High", the switch for GPIO9 must be set either to the "+" (high) position or the center position.

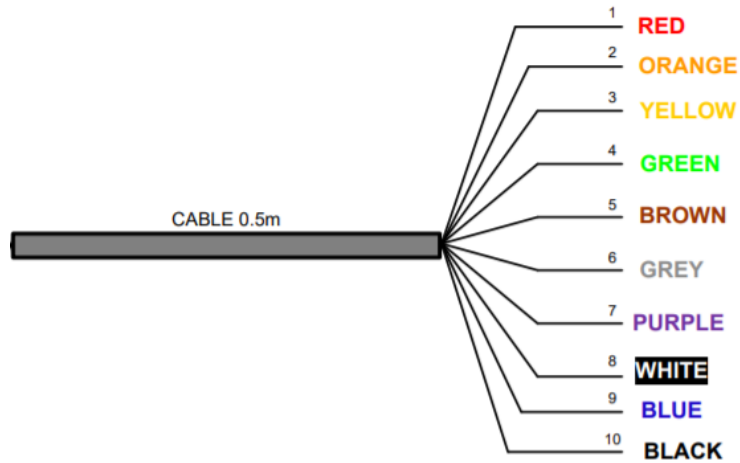
Before proceeding to communicate to the ClockMatrix device using the Timing Commander GUI, two I2C connection methods are introduced:

1. Using the on-board FTDI circuit – The evaluation board has on-board FTDI circuitry to translate Timing Commander access activities from USB to the I2C port of the ClockMatrix device. This is to connect the PC to the board through the Type-B connector.
2. Using FTDI dongle (C232HM-DDHSL-0 cable) – The dongle has the same FTDI circuit as this board built in it (see [Figure 6](#)). The benefit of using this dongle is to connect to the customer's board and still enjoy the debugging capabilities that Timing Commander has to offer.



Figure 6. FTDI Dongle: USB Type-A at PC end and 10 Free-wires at the other end

The free wires are color-coded and numerically indexed as displayed in the following picture.



When using with Timing Commander, only four wires are used. When connecting to a customer board, connect the Orange wire to SCL; tie the Yellow wire and Green wire together and connect to SDA; then, importantly, connect the Black ground wire to the customer’s board GND. Assuming there is a pull-up resistor for SCL and SDA, respectively, on customer board.

Color	Pin Number	Name	Type	Description
Orange	2	SCL	Output	Serial Clock
Yellow	3	SDA	Input/Output	Serial data signal shorted together to create bidirectional data (both yellow and green wires must be shorted together)
Green	4			

By using FTDI dongle, we can connect to a customer board and use the Timing Commander GUI just like working on a ClockMatrix evaluation board. When using the FTDI dongle to connect to a customer board, in Timing Commander “Connection Settings” window, “On-board USB (SPI)” is selected in Connection Interface box (see [Figure 10](#)), same as connecting to a Renesas evaluation board.

2.2 Using Timing Commander to Control the Board

Once the default operation is successful, complete the following steps using Timing Commander to configure and program the ClockMatrix device as per your application requirements.

1. Power up the board and set the main serial port in I2C mode by GPIO9 = "high". See [Figure 5](#) for the GPIO9 position. Connect the board to PC.
2. Start the Timing Commander software.

You will see options of "New Setting File" and "Open Setting file". For a new configuration, select "New Setting File"

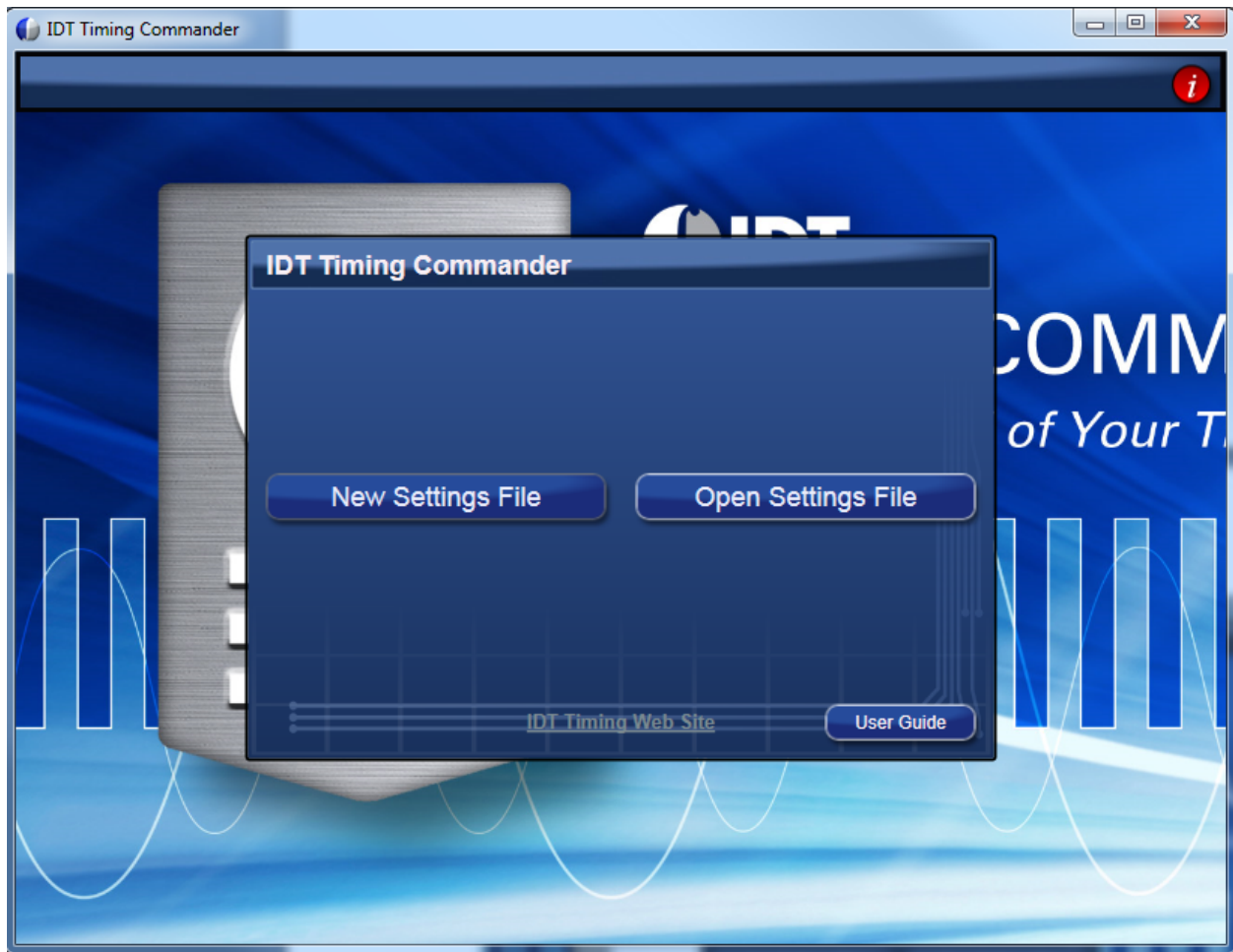


Figure 7. Starting Up Timing Commander GUI

- After selecting “New Settings File”, a device selection window will appear. In the window, choose the intended device in the list (RC32012A is selected in this example).

Click the button at the lower right corner of the window (red circle) to browse and select the correct personality file (in this example, personality Version 10.0.1 is selected), then click OK.

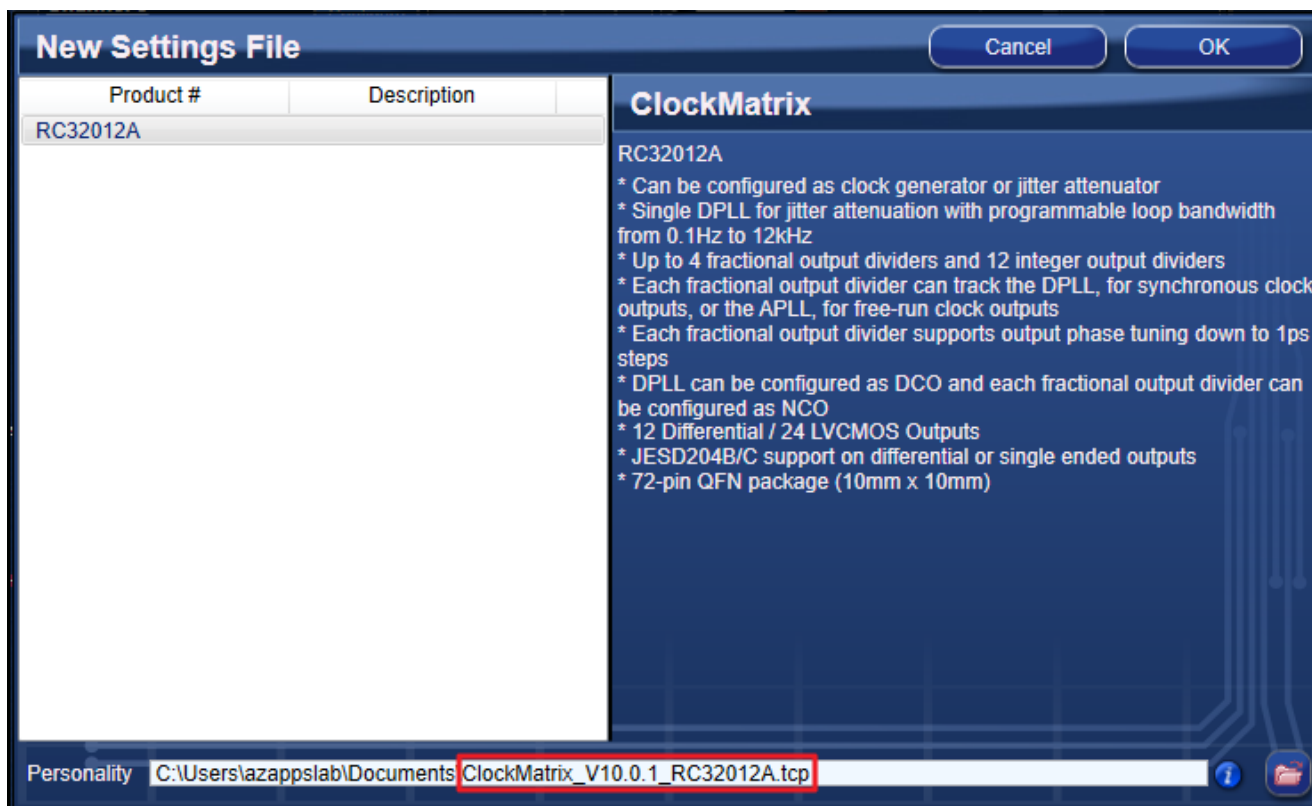


Figure 8. Selecting RC32012A using Personality File Version 10.0.1

- The GUI window with the RC32012A block diagram will open for configurations; or if “Open Settings File” is selected in Step 5 above, you will be prompted to browse and select an existing .tcs file and the personality file. When the configuration file is open, all configured values will be displayed as in [Figure 9](#).

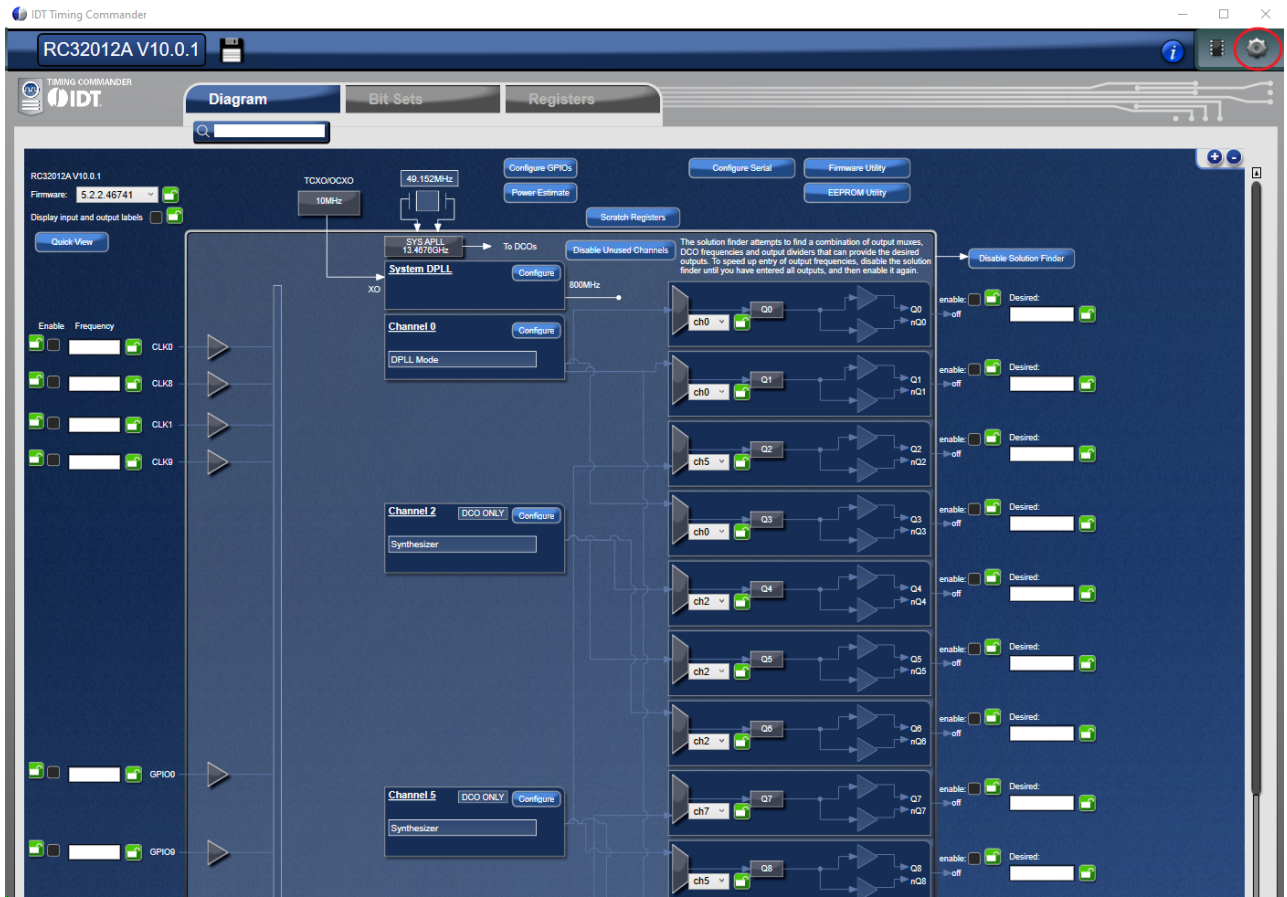


Figure 9. Timing Commander GUI with a Settings File Opened

- In order to connect the board with Timing Commander (PC), click the button (red circle) at the up-right corner of the GUI to set up the communication protocols (see [Figure 9](#)). After I2C and one-byte addressing are selected, click OK to close the window (see [Figure 10](#)).

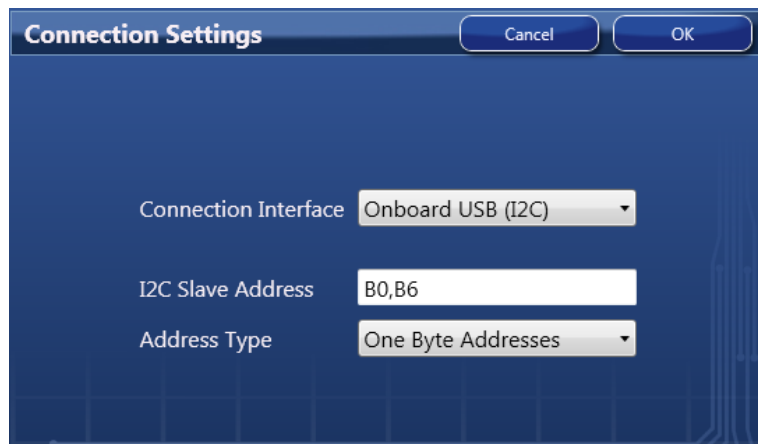


Figure 10. Setting I2C for Connecting the Board with GUI

- 6. Click the chip symbol at the up-right corner to initiate the connection. The connection is made with a green band appearing at the up-right corner of the window, as shown below.

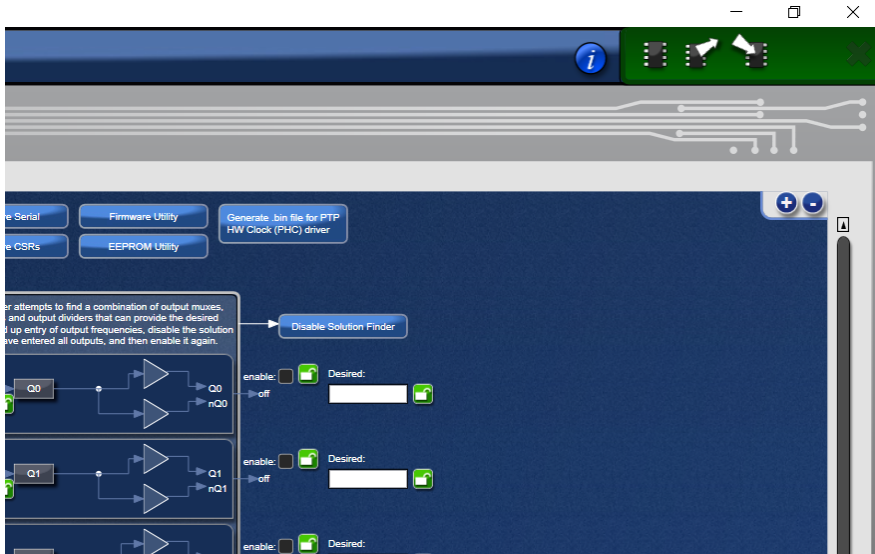


Figure 11. Green Band Appears when a Valid Connection is Made

- 7. If ClockMatrix device’s firmware, or the firmware loaded from EEPROM, has a different version from that in the Personality file, a firmware version mismatch warning message will appear. Click “Close” button to close the message window and a connection is made.

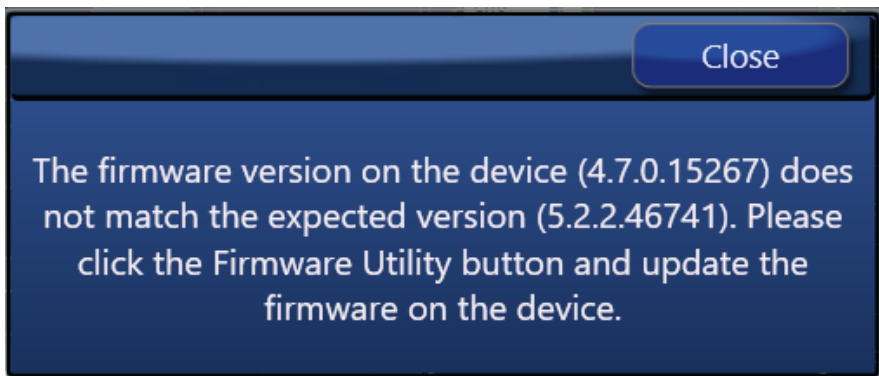


Figure 12. Firmware Version Mismatch Warning Message

- 8. Once the connection is made, the firmware version can be read within the GUI. Click the “Firmware Utility” button to bring up the Firmware Utility window, as shown below.

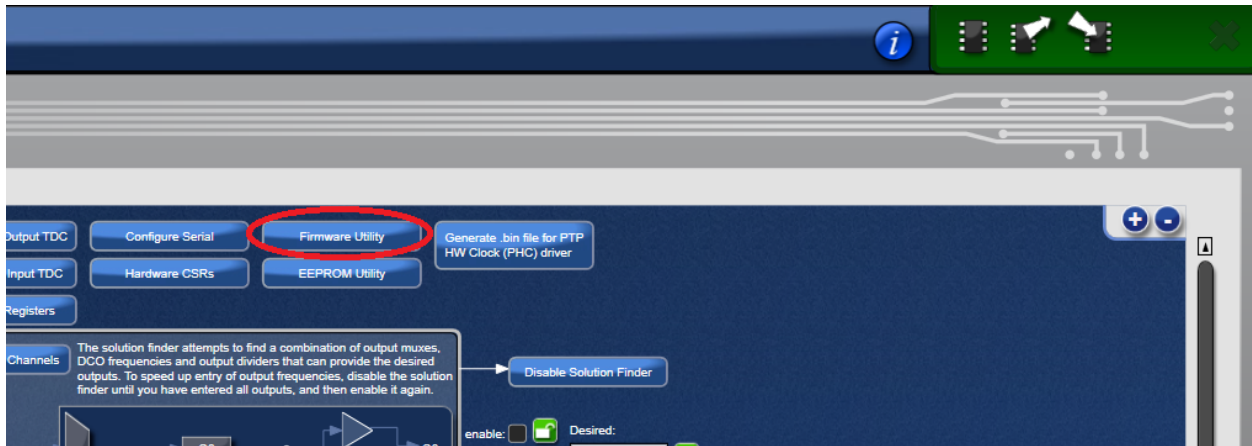


Figure 13. Reading Firmware Version

- 9. Within Firmware Utility window, click the “Get Firmware Version” button will read the firmware version.

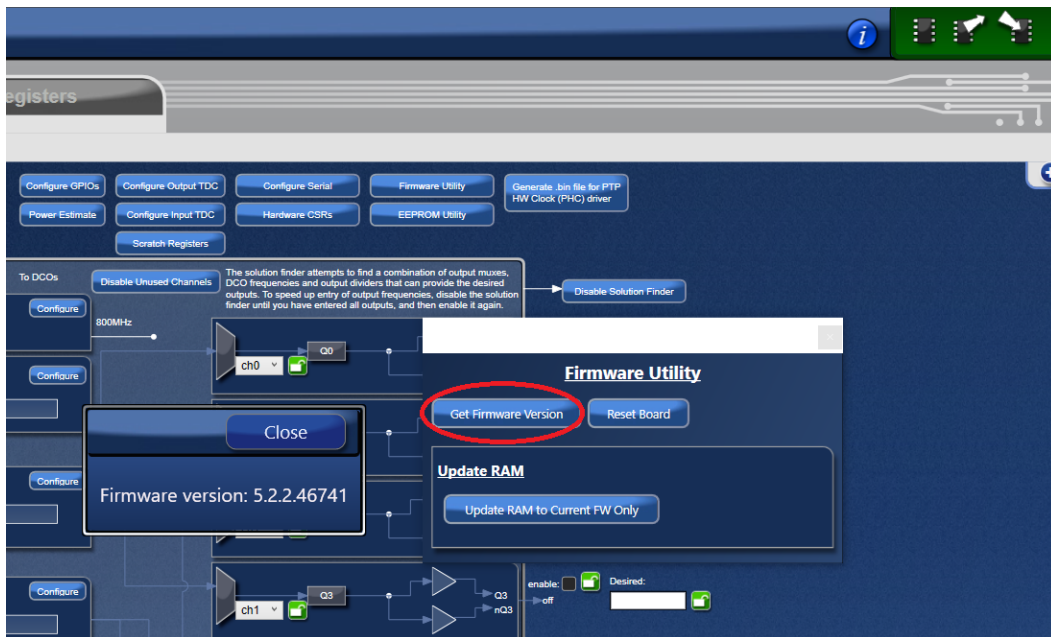


Figure 14. Read Firmware Version of ClockMatrix Chip

- 10. In the case where the firmware version mismatches each other, a firmware upgrade is required to update the device’s firmware. To update the device’s firmware, complete the Firmware Version Update steps in [Appendix A. How to Upgrade the Firmware](#).

2.3 Output Terminations and Rework to Take 1PPS Input

All outputs are terminated by a 100-ohm resistor across the output pair. This is the recommended termination regardless of the Voffset and Vswing settings. Since the outputs are DC-coupled, they will support a 1PPS output without any need for rework.

Note: When connecting the outputs to measurement equipment, use a DC-block to ensure that the output operates at its intended Voffset; otherwise, the equipment may load the output down and cause degraded performance.

The following rework must be implemented in order to support a 1PPS input clock. All input clocks for the evaluation board are AC-coupled and terminated as in [Figure 15](#).

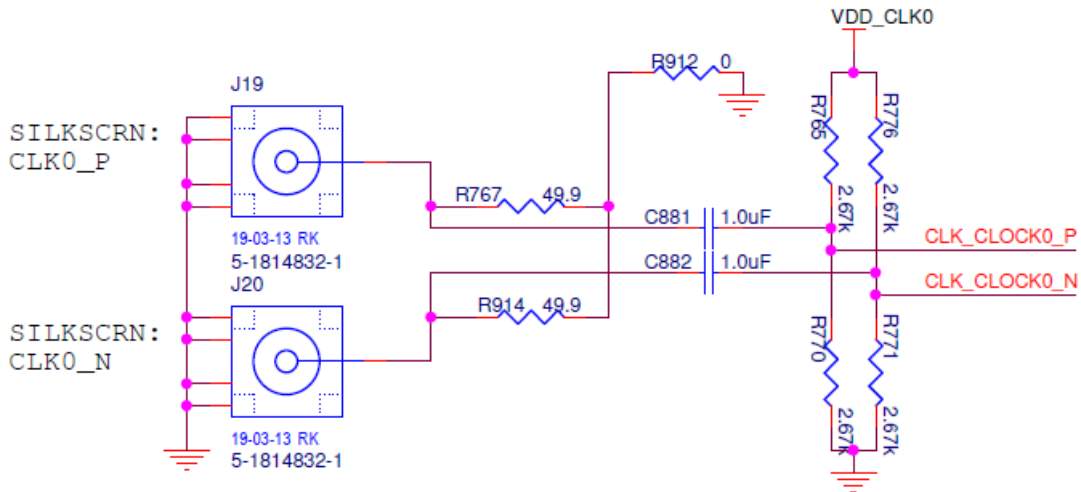


Figure 15. Input Clock's AC-coupling and Terminations

For a 1PPS input, a single-ended input with DC-coupling is recommended. As such, the populated AC-coupling capacitor must be removed and the input must be configured as LVCMOS, not differential. In [Figure 15](#), to make CLK0 supportive of 1PPS input, first configure CLK0 as LVCMOS in Timing Commander (see [Figure 16](#)).

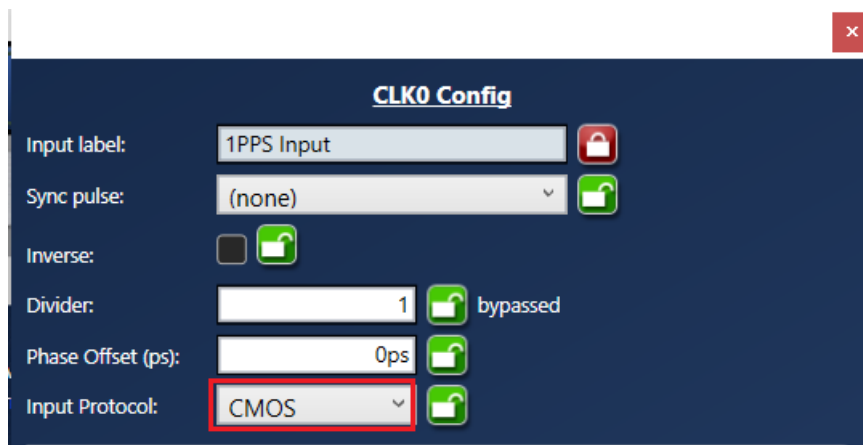


Figure 16. Configuring CLK0 as CMOS to Receive a 1PPS Input

Once in LVCMOS mode, CLK0_P and CLK0_N will be two separate LVCMOS inputs instead of a differential pair. To make CLK0_P receive a 1PPS input, replace C881 with a 0-ohm resistor, while at the same time, remove R765 and R770.

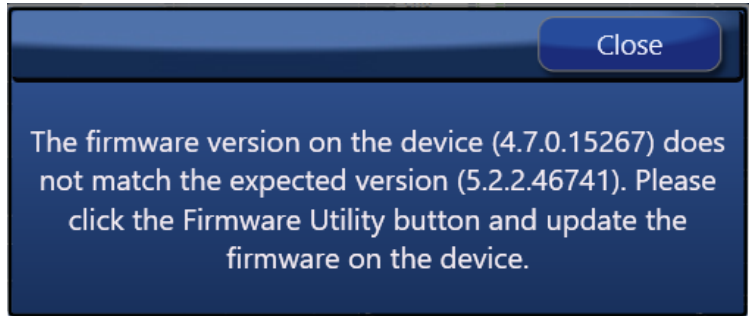
3. Schematic Diagrams

Schematic diagrams are located at the rear of the document.

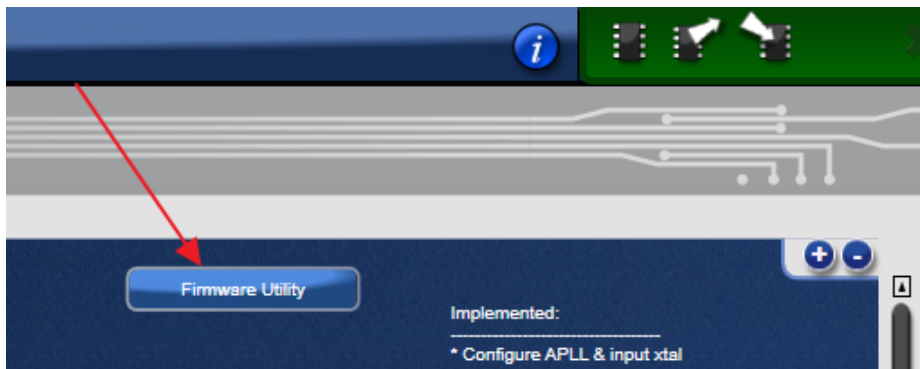
Appendix A. How to Upgrade the Firmware

Upload Firmware to the RAM

1. Connect to the EVB.
2. Power up the EVB with No EEPROM Present. This ensures the FW is 4.0.2.7017.
3. The GUI will indicate that the FW on the Chip does not match the GUI FW. Press “Close”.



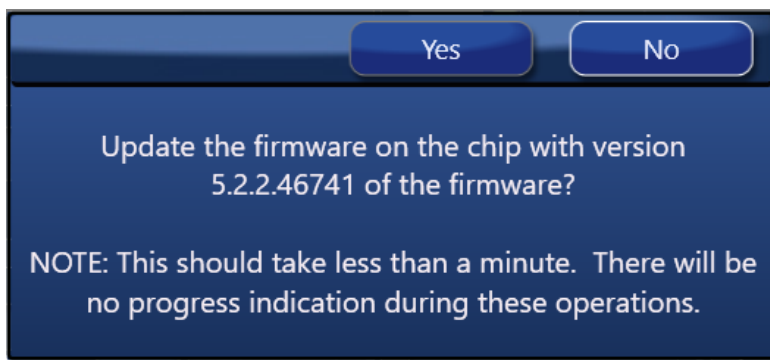
4. Open the “Firmware Utility” window.



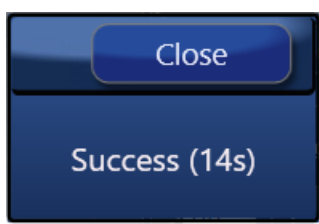
5. Update the Firmware first, then press “Update RAM to Current FW Only”



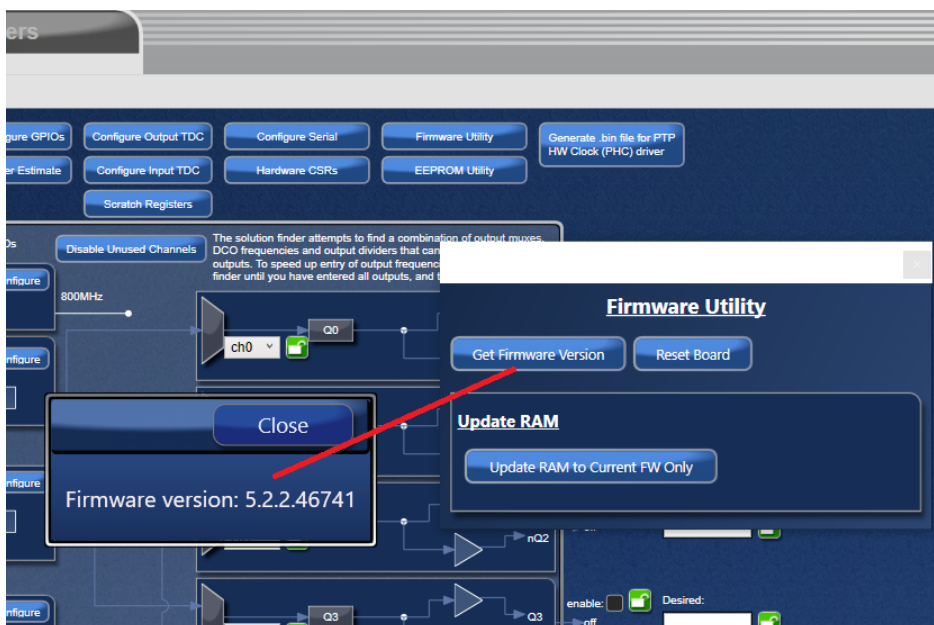
6. In the next dialog, press “Yes” and wait around 4 minutes.



7. Once the FW updates, a dialog will indicate a successful update.

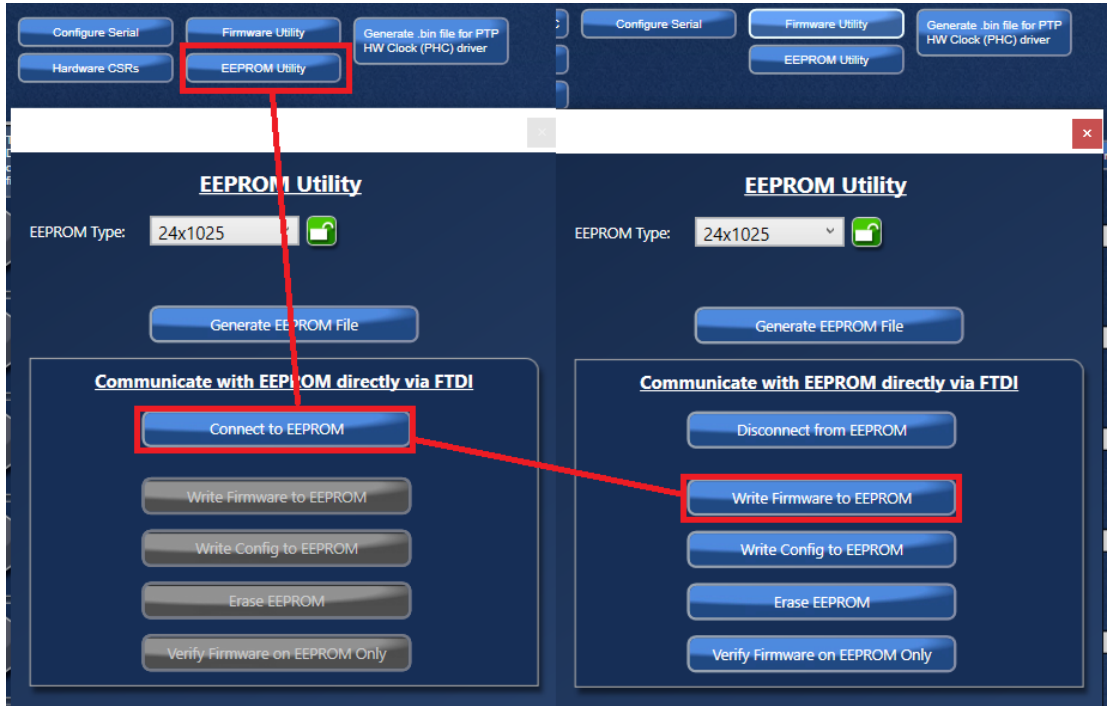


8. Press “Get Firmware Version” to verify that the RAM was updated correctly.

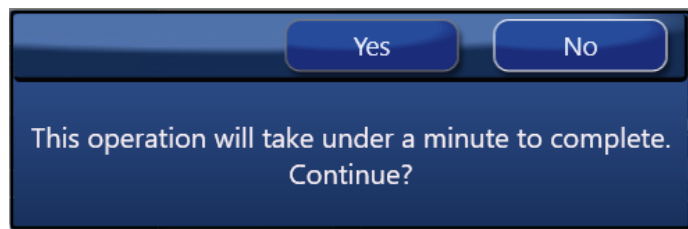


Upload Firmware to the EEPROM

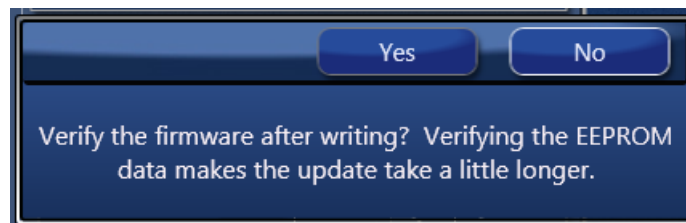
- 9. Once the Firmware has been updated to the chip (steps 1 to 8), install the EEPROM on the EVB.
- 10. Press
 - a. EEPROM Utility
 - b. Connect to EEPROM
 - c. Write Firmware to EEPROM



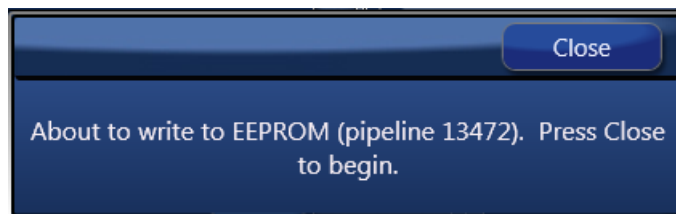
- 11. In the Next Dialog, press “Yes”.



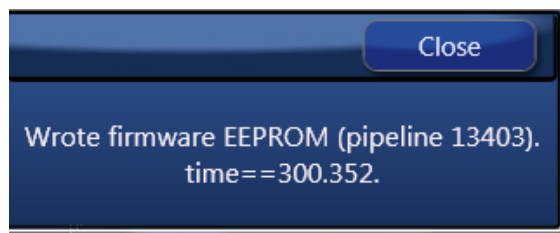
- 12. When asked to “Verify” the EEPROM, press “No”:



13. In the next window, press “Close” to start the EEPROM write.



14. Wait about 5mins. The EEPROM write will complete with this window below. Press “Close”.



Verify the EEPROM Programming

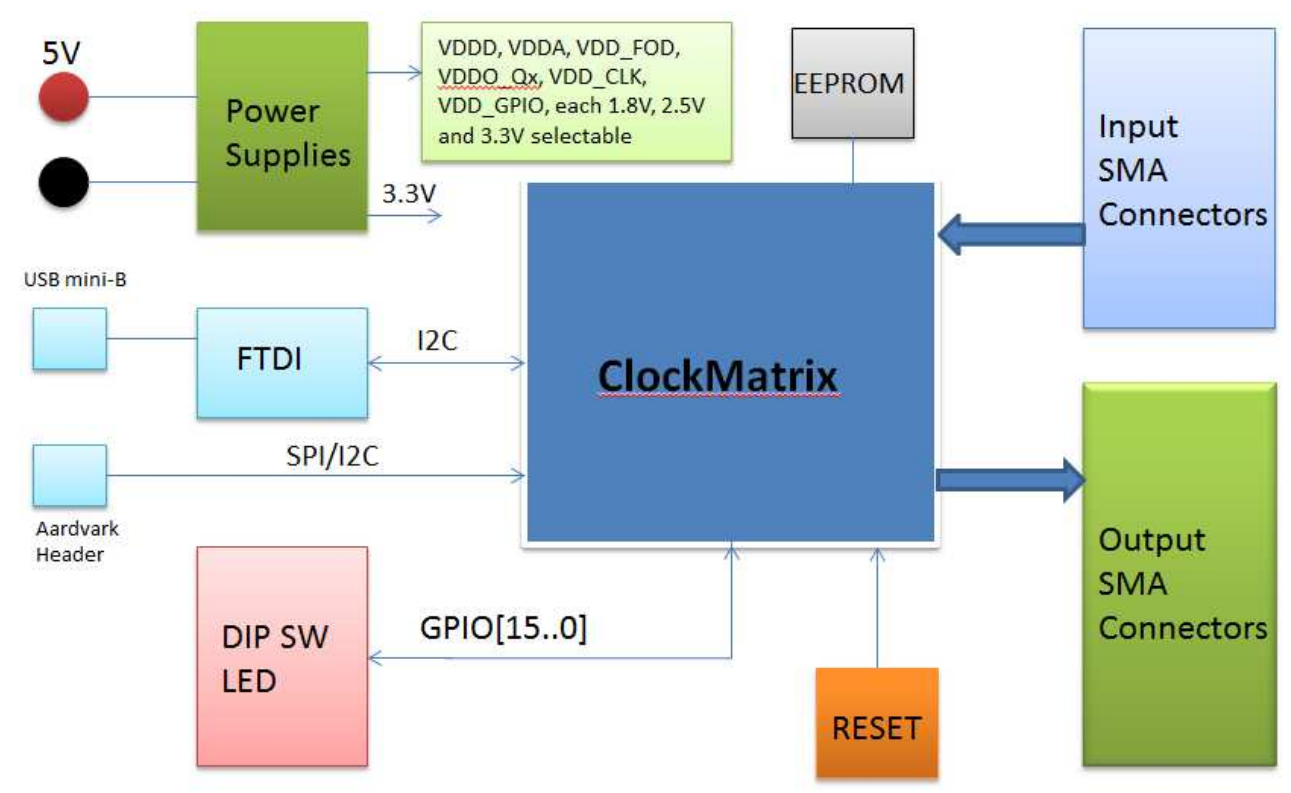
- 15. Power cycle the Evaluation Board.
- 16. Disconnect and reconnect to the chip.
- 17. Read back the Firmware Version to ensure it’s correct (see steps 3 and 7).


4. Ordering Information

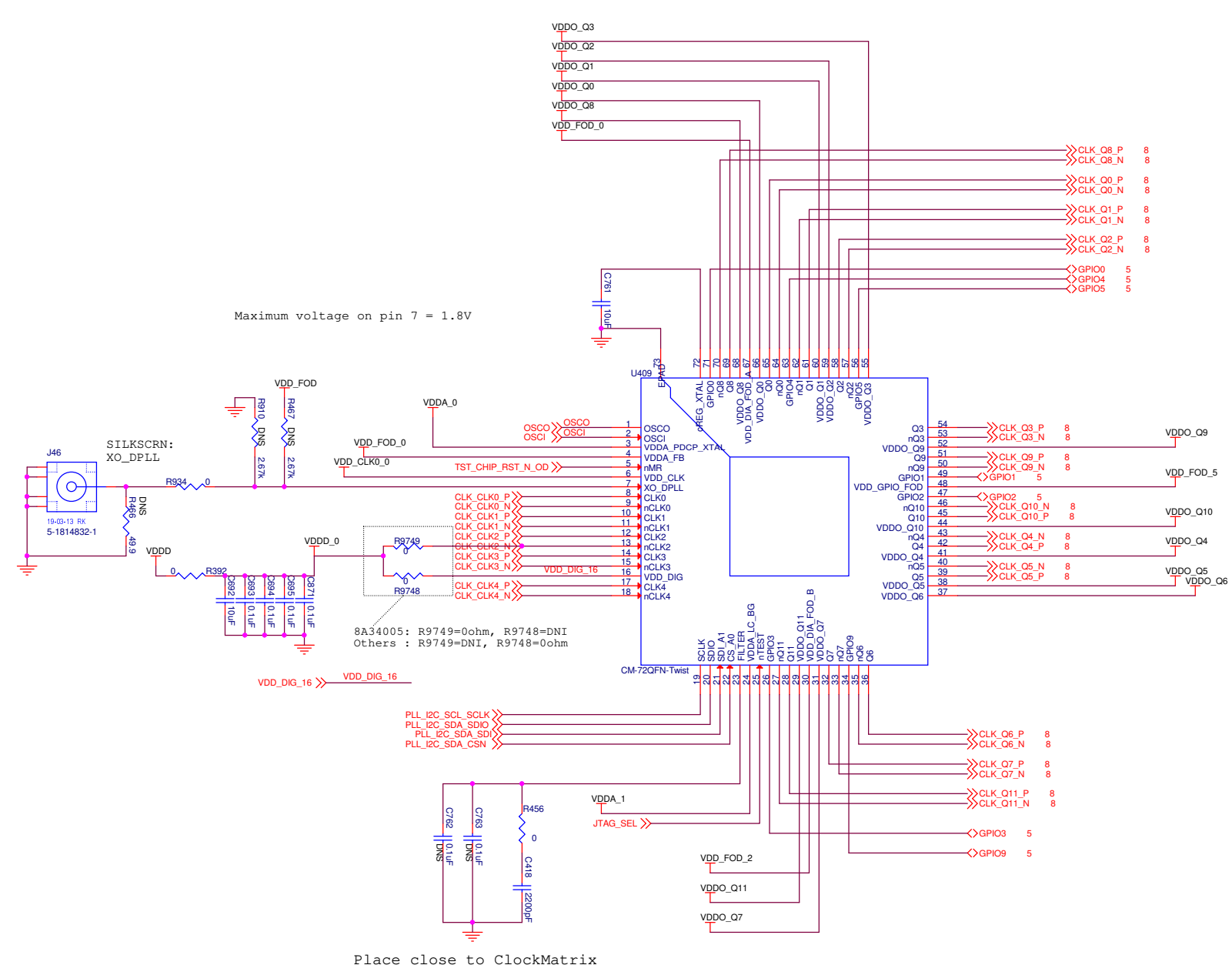
Part Number	Description
RC32012A-EVK	RC32012A Evaluation Kit

5. Revision History

Revision	Date	Description
1.02	Apr 20, 2022	Updated schematics; removed embedded files and appended files to the rear of the document.
1.01	Oct 28, 2021	Updated the Schematic Diagrams
1.00	Oct 12, 2021	Initial release



PROJECT NAME	Indira3		 Fidus Systems 375 Terry Fox Drive, Ottawa, ON K2K 0J8	
DESIGN	TITLE			
DB				
DRAWN	SUBTITLE			
DB	Block Diagram			REVISION
CHECK	DRAWING NUMBER		1.2	
DB	SK-10280-01		RELEASE DATE	
			SHEET	1 OF 10



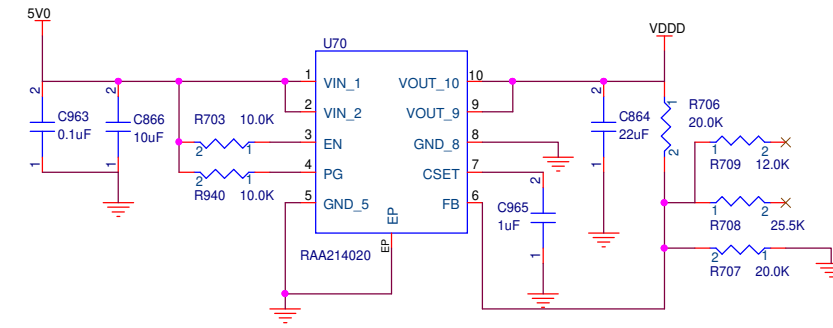
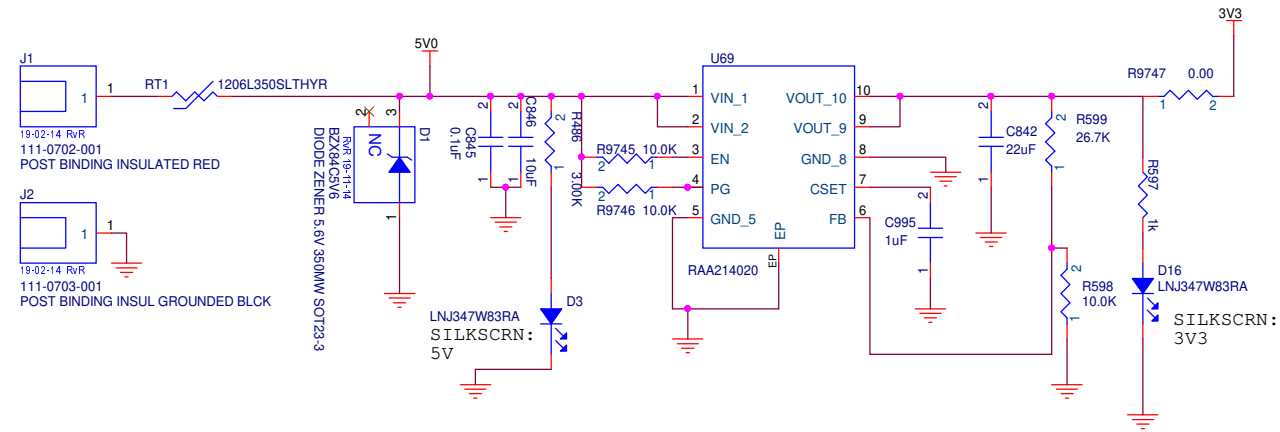
Maximum voltage on pin 7 = 1.8V

8A34005: R9749=0ohm, R9748=DNI
Others: R9749=DNI, R9748=0ohm

Place close to ClockMatrix

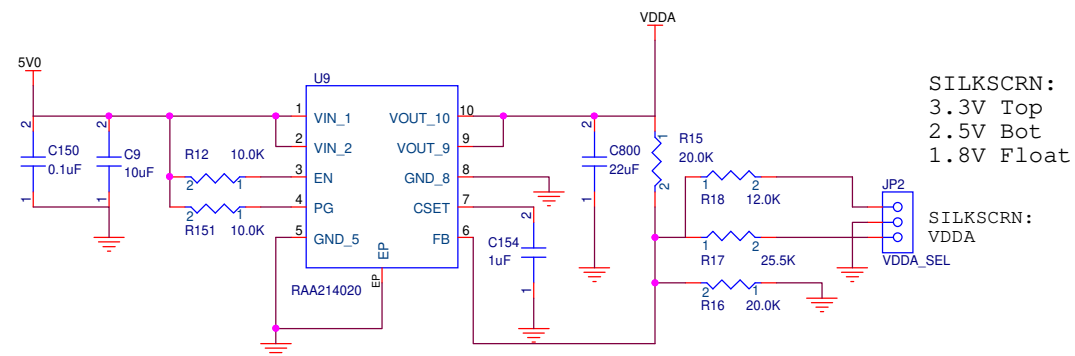
Title		
Size	Document Number	Rev
C		
Date:	09/13/2021	Sheet 2 of 10

Board 3V3



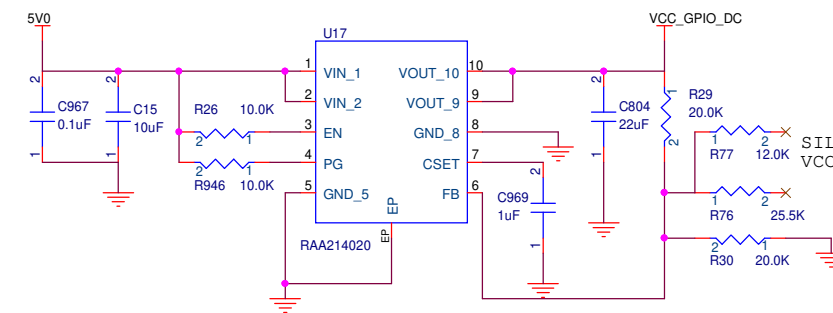
SILKSCRN:
3.3V Top
2.5V Bot
1.8V Float

SILKSCRN:
VDD



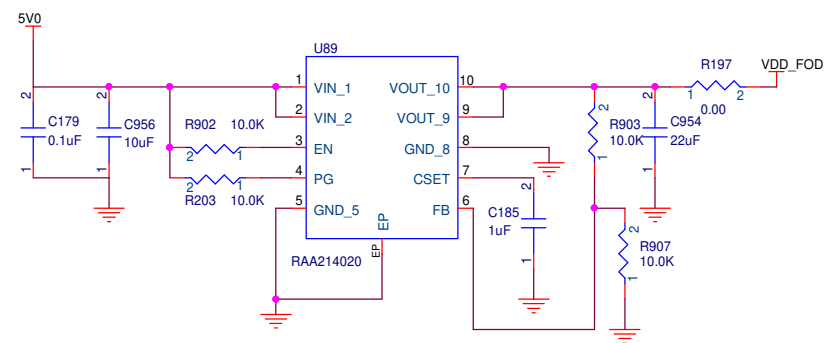
SILKSCRN:
3.3V Top
2.5V Bot
1.8V Float

SILKSCRN:
VDDA

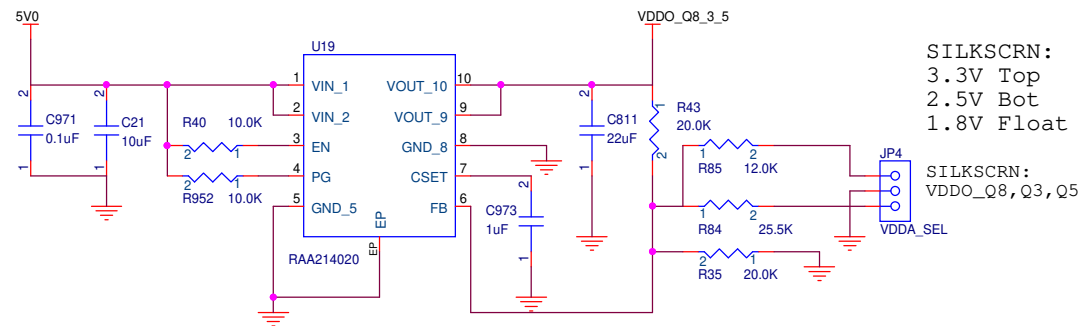


SILKSCRN:
3.3V Top
2.5V Bot
1.8V Float

SILKSCRN:
VCC_GPIO_DC

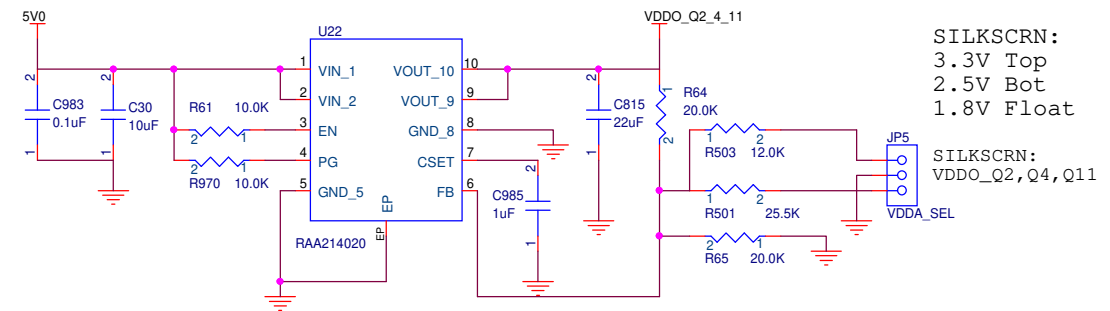


PROJECT NAME	Indira3		Fidus Systems 375 Terry Fox Drive, Ottawa, ON K2K 0J8	
DESIGN	DB			
DRAWN	DB			
CHECK	DB			
TITLE	Power Supplies 1			
DRAWING NUMBER	SK-10280-01		REVISION	1.2
RELEASE DATE			SHEET	3 OF 10



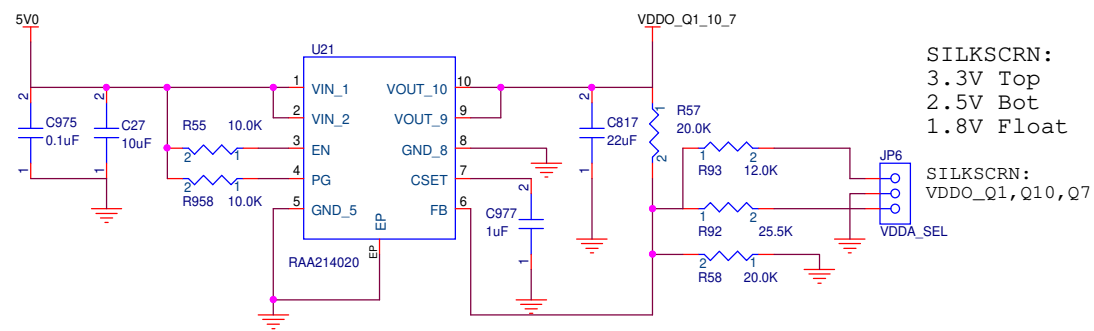
SILKSCRN:
3.3V Top
2.5V Bot
1.8V Float

SILKSCRN:
VDDO_Q8, Q3, Q5



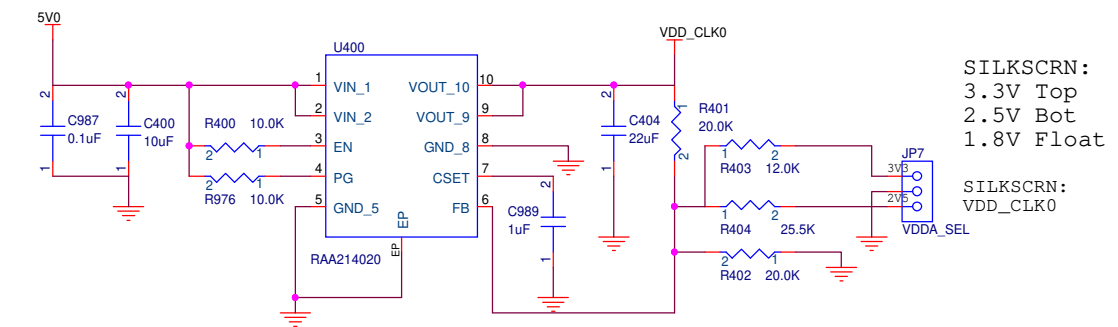
SILKSCRN:
3.3V Top
2.5V Bot
1.8V Float

SILKSCRN:
VDDO_Q2, Q4, Q11



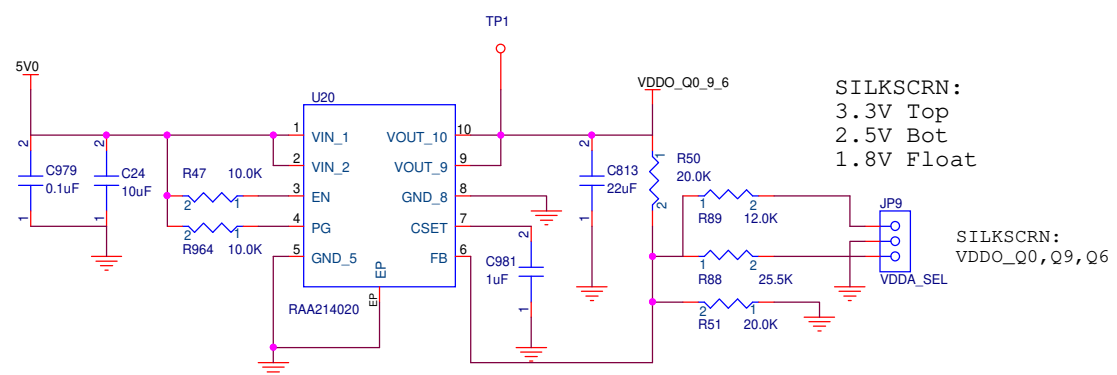
SILKSCRN:
3.3V Top
2.5V Bot
1.8V Float

SILKSCRN:
VDDO_Q1, Q10, Q7



SILKSCRN:
3.3V Top
2.5V Bot
1.8V Float

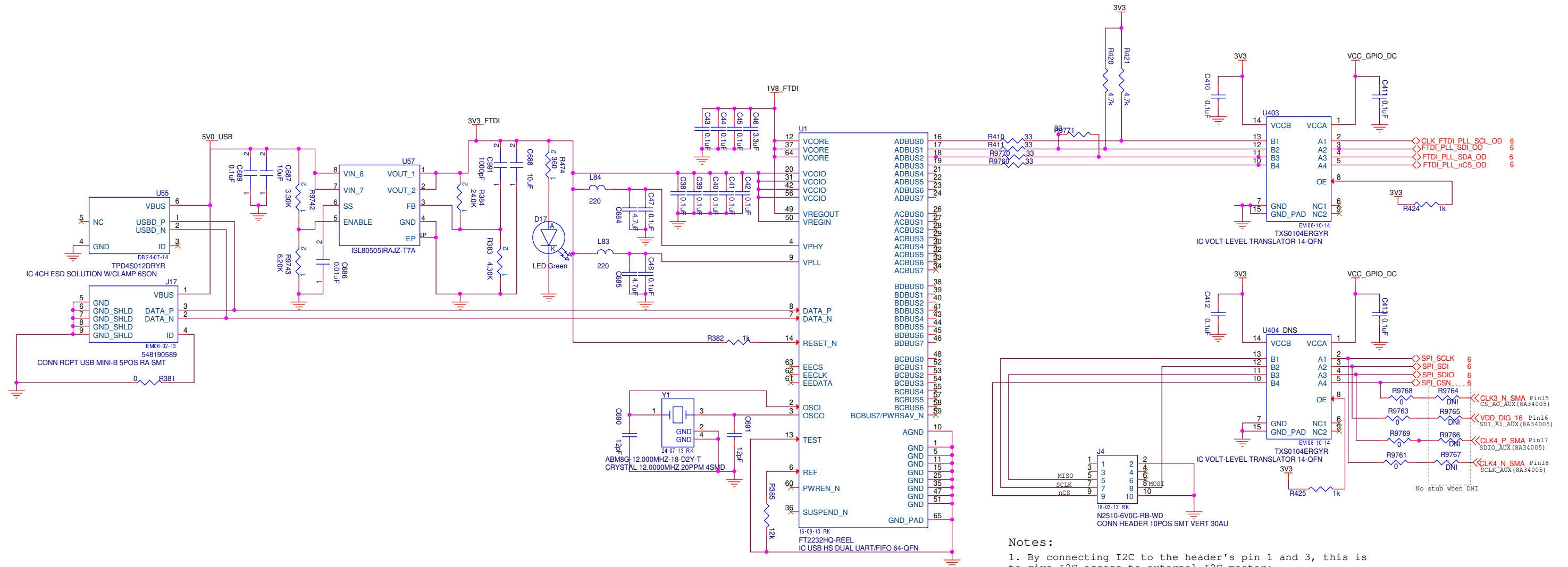
SILKSCRN:
VDD_CLK0



SILKSCRN:
3.3V Top
2.5V Bot
1.8V Float

SILKSCRN:
VDDO_Q0, Q9, Q6

PROJECT NAME	Fidus Systems	
Indira3	375 Terry Fox Drive, Ottawa, ON K2K 0J8	
DESIGN	TITLE	
DB		
DRAWN	SUBTITLE	
DB	Power Supplies 2	
CHECK	DRAWING NUMBER	REVISION
DB	SK-10280-01	1.2
	RELEASE DATE	SHEET
		4 OF 10



Notes:

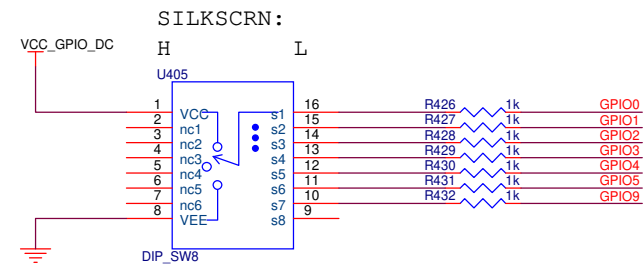
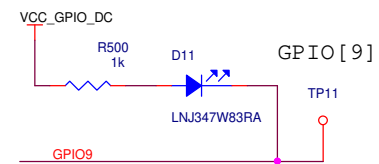
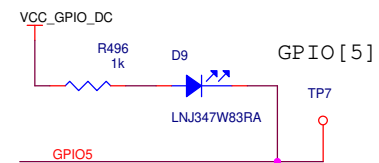
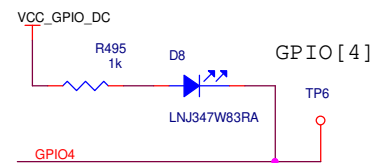
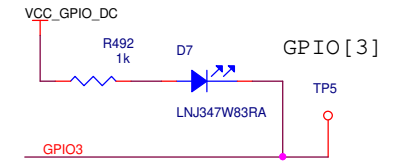
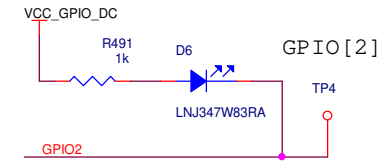
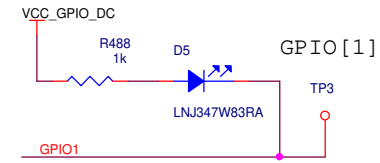
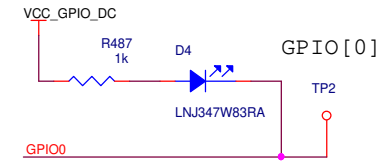
1. By connecting I2C to the header's pin 1 and 3, this is to give I2C access to external I2C master;
2. By installing R926 and R927, FTDI can also access Aux I2C port (also removing R87 and R88). This feature is not expected to be used.
3. Normal use: FTDI controls I2C port; Header is connected to Aux port in SPI configuration.


PROJECT NAME	Indira3		Fidus Systems 375 Terry Fox Drive, Ottawa, ON K2K 0J8	
DESIGN	TITLE			
DB	SUBTITLE			
DRAWN	FTDI USB Interface			REVISION
DB	DRAWING NUMBER			1.2
CHECK	SK-10280-01			RELEASE DATE
DB	RELEASE DATE			SHEET
			5 OF 10	

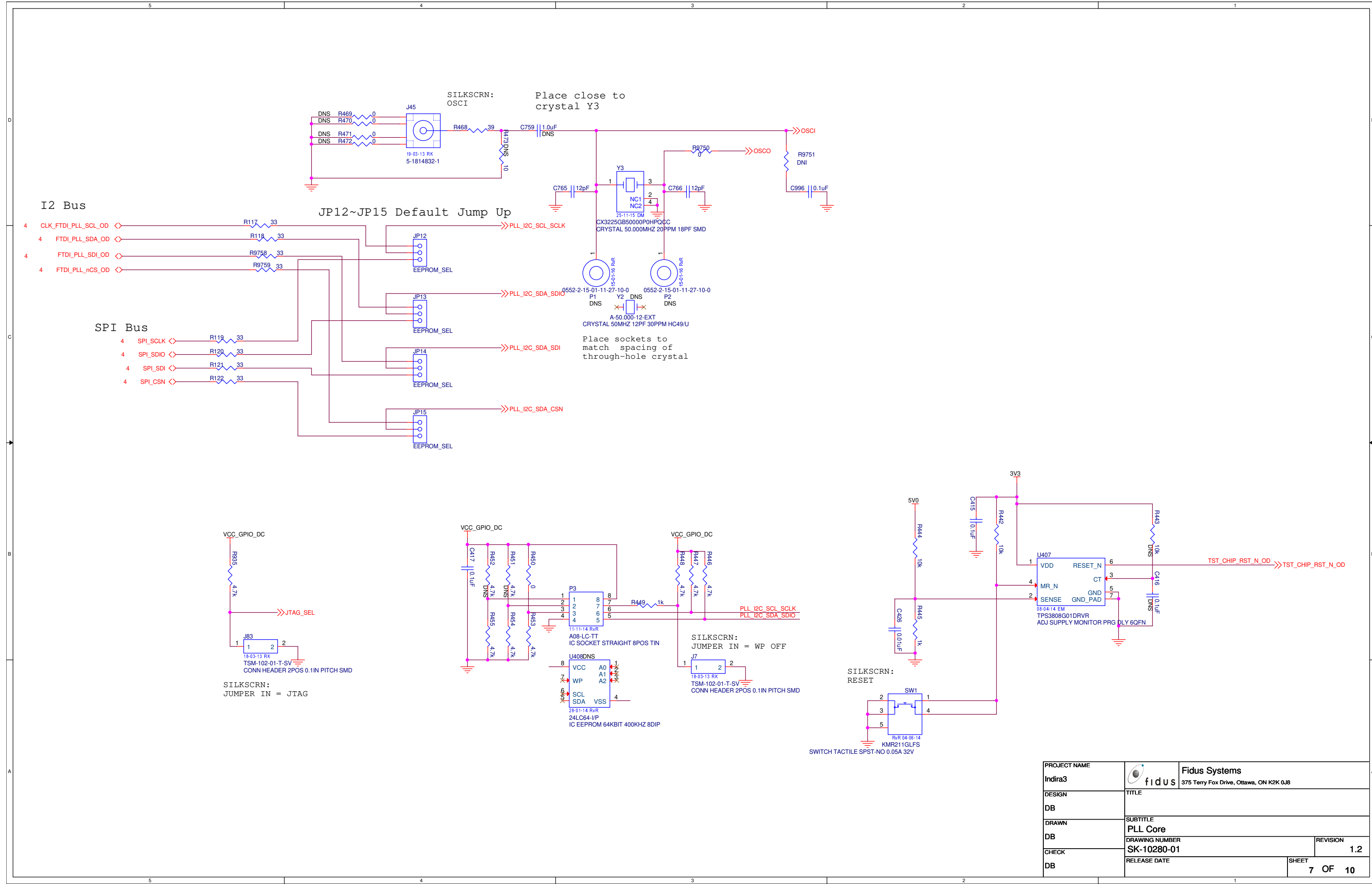
Note for Silkscreen:
Place GPIO[x] label close to each
corresponding LED and Test point.

- 6 GPIO0 <-> GPIO0
- 6 GPIO1 <-> GPIO1
- 6 GPIO2 <-> GPIO2
- 6 GPIO3 <-> GPIO3
- 6 GPIO4 <-> GPIO4
- 6 GPIO5 <-> GPIO5

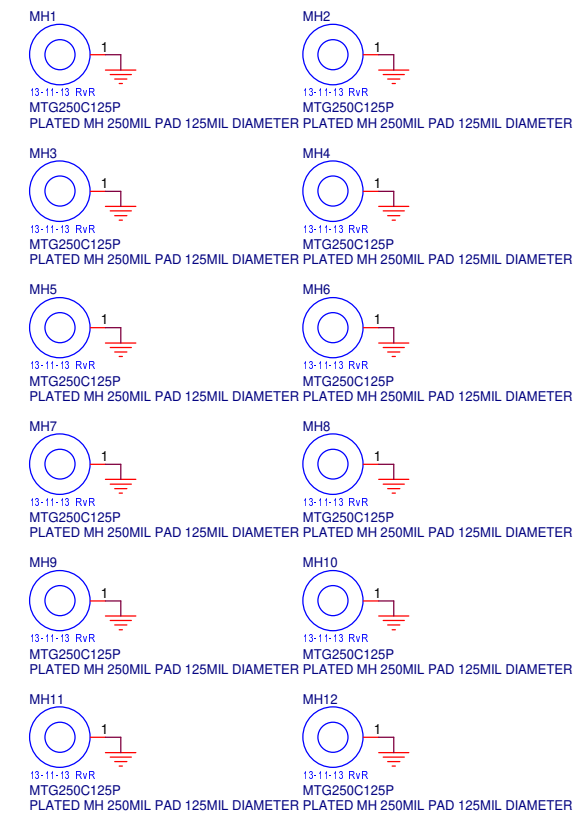
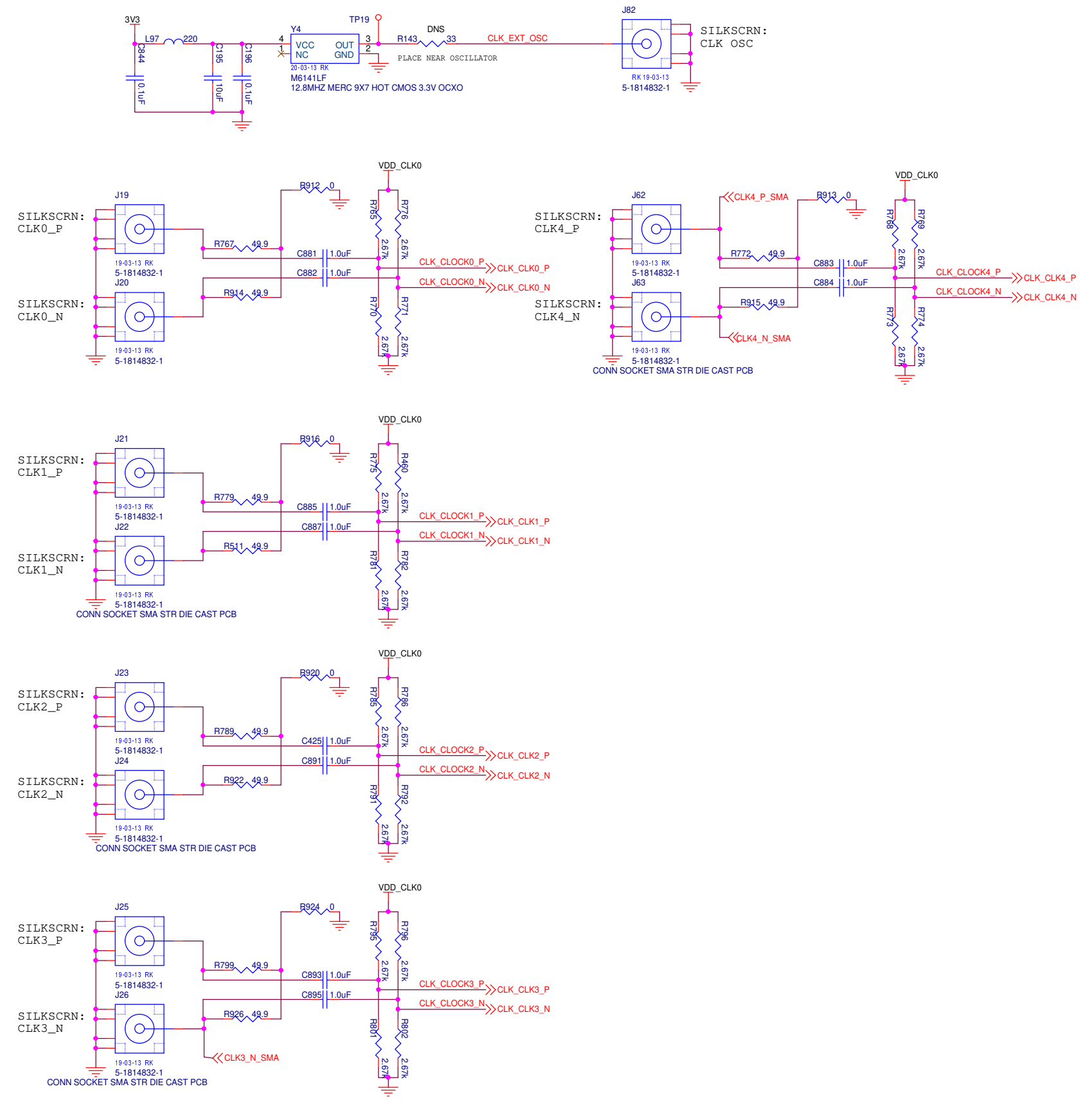
- 6 GPIO9 <-> GPIO9



PROJECT NAME	Indira3		 Fidus Systems 375 Terry Fox Drive, Ottawa, ON K2K 0J8	
DESIGN	RK			
DRAWN	RK			
CHECK	DB			
TITLE	GPIO LEDs			
DRAWING NUMBER	SK-10280-01		REVISION	1.2
RELEASE DATE			SHEET	6 OF 10

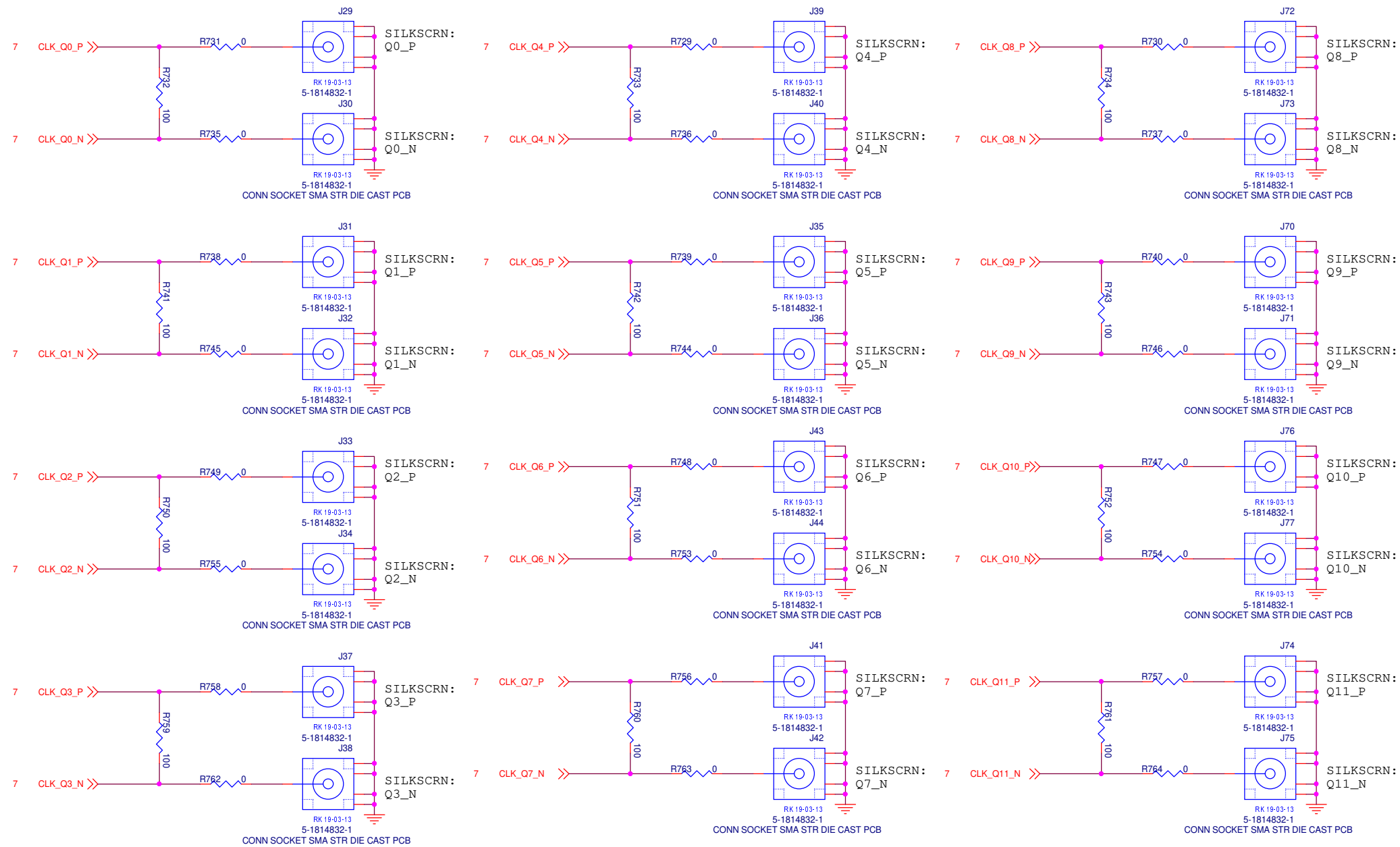


PROJECT NAME	Indira3		Fidus Systems 375 Terry Fox Drive, Ottawa, ON K2K 0J8	
DESIGN	TITLE			
DB	SUBTITLE			
DRAWN	PLL Core			REVISION
DB	DRAWING NUMBER			1.2
CHECK	SK-10280-01			RELEASE DATE
DB	SHEET			7 OF 10

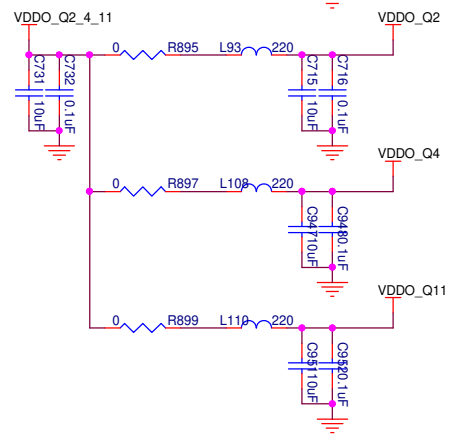
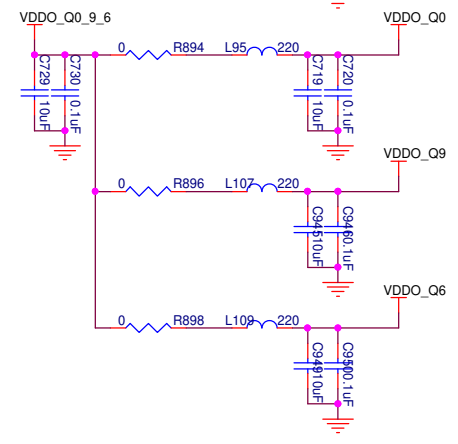
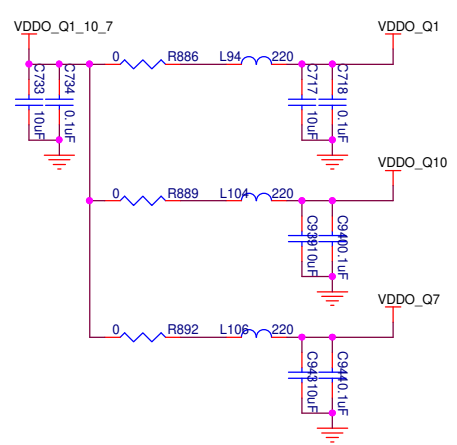
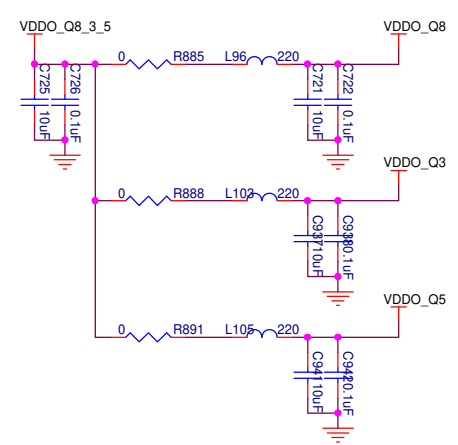
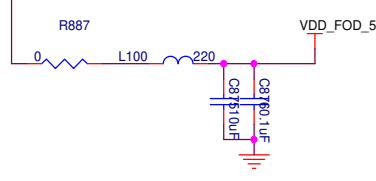
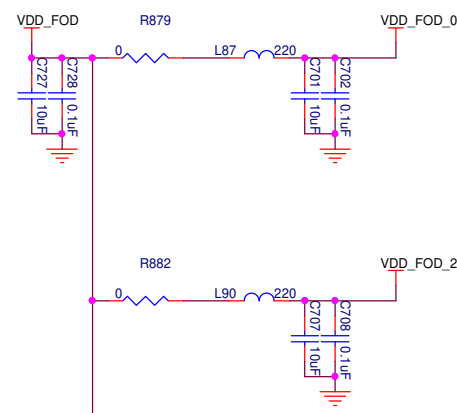
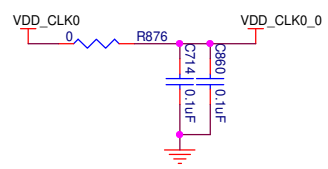
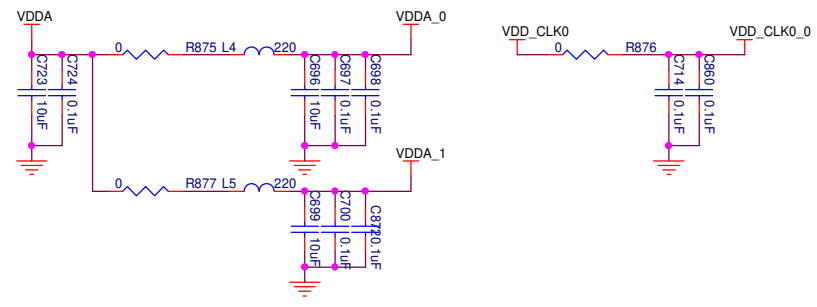


PROJECT NAME		Fidus Systems	
Indira3		375 Terry Fox Drive, Ottawa, ON K2K 0J8	
DESIGN	TITLE		
RK	SUBTITLE		
DRAWN	DRAWING NUMBER		REVISION
RK	SK-10280-01		1.2
CHECK	RELEASE DATE		SHEET
DB			8 OF 10

PLACE PARALLEL
TERMINATIONS
CLOSE TO U58



PROJECT NAME	Indira3		Fidus Systems 375 Terry Fox Drive, Ottawa, ON K2K 0J8	
DESIGN	TITLE			
DB	SUBTITLE			
DRAWN	PLL Output Clocks			
DB	DRAWING NUMBER SK-10280-01			REVISION 1.2
CHECK	RELEASE DATE			SHEET 9 OF 10
DB				



PROJECT NAME	Indira3		Fidus Systems 375 Terry Fox Drive, Ottawa, ON K2K 0J8	
DESIGN	RK			
DRAWN	RK			
CHECK	DB			
TITLE	PLL Power			
SUBTITLE	DRAWING NUMBER: SK-10280-01			
REVISION	1.2			SHEET
RELEASE DATE	10 OF 10			

IMPORTANT NOTICE AND DISCLAIMER

RENESAS ELECTRONICS CORPORATION AND ITS SUBSIDIARIES (“RENESAS”) PROVIDES TECHNICAL SPECIFICATIONS AND RELIABILITY DATA (INCLUDING DATASHEETS), DESIGN RESOURCES (INCLUDING REFERENCE DESIGNS), APPLICATION OR OTHER DESIGN ADVICE, WEB TOOLS, SAFETY INFORMATION, AND OTHER RESOURCES “AS IS” AND WITH ALL FAULTS, AND DISCLAIMS ALL WARRANTIES, EXPRESS OR IMPLIED, INCLUDING, WITHOUT LIMITATION, ANY IMPLIED WARRANTIES OF MERCHANTABILITY, FITNESS FOR A PARTICULAR PURPOSE, OR NON-INFRINGEMENT OF THIRD-PARTY INTELLECTUAL PROPERTY RIGHTS.

These resources are intended for developers who are designing with Renesas products. You are solely responsible for (1) selecting the appropriate products for your application, (2) designing, validating, and testing your application, and (3) ensuring your application meets applicable standards, and any other safety, security, or other requirements. These resources are subject to change without notice. Renesas grants you permission to use these resources only to develop an application that uses Renesas products. Other reproduction or use of these resources is strictly prohibited. No license is granted to any other Renesas intellectual property or to any third-party intellectual property. Renesas disclaims responsibility for, and you will fully indemnify Renesas and its representatives against, any claims, damages, costs, losses, or liabilities arising from your use of these resources. Renesas' products are provided only subject to Renesas' Terms and Conditions of Sale or other applicable terms agreed to in writing. No use of any Renesas resources expands or otherwise alters any applicable warranties or warranty disclaimers for these products.

(Disclaimer Rev.1.01)

Corporate Headquarters

TOYOSU FORESIA, 3-2-24 Toyosu,
Koto-ku, Tokyo 135-0061, Japan
www.renesas.com

Trademarks

Renesas and the Renesas logo are trademarks of Renesas Electronics Corporation. All trademarks and registered trademarks are the property of their respective owners.

Contact Information

For further information on a product, technology, the most up-to-date version of a document, or your nearest sales office, please visit www.renesas.com/contact-us/.