

## Introduction

The VersaClock 3S (VC3S) universal USB development kit is designed to support the 5x3502x family of VC3S devices. It provides a convenient way of verifying, configuring and programming the blank parts for all VC3S devices. The IDT Timing Commander GUI communicates to the devices for configuration and frequency validation on the board via an on-board USB interface. Using additional socket boards, a validated configuration is used to program blank parts for any of the VC3S devices. The table below shows the available VC3S development kits and their voltage ratings.

Table 1. List of VersaClock 3S Family Development Kits Available

Development Kit Part Number	Product Applies to
<a href="#">DEV5P35023</a>	<a href="#">5P35023</a>
<a href="#">DEV5P35021</a>	<a href="#">5P35021</a>
<a href="#">DEV5L35023</a>	<a href="#">5L35023</a>
<a href="#">DEV5L35021</a>	<a href="#">5L35021</a>

## Development Kit Board Overview

The USB development kit board is ready with all of the necessary components and connections to test the functionality of the configuration. See [Figure 1](#) below and [Table 2](#) for a list of component labels and descriptions. The devices can be programmed with the additional socket board as shown in [Figure 2](#).

Figure 1. Verification Board-top view

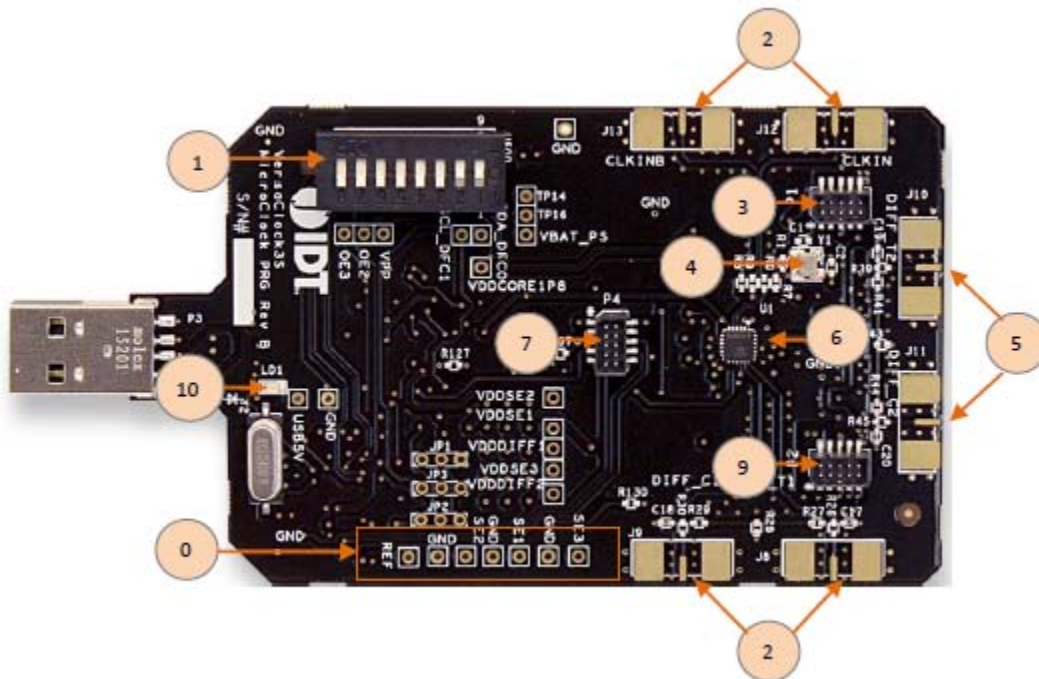
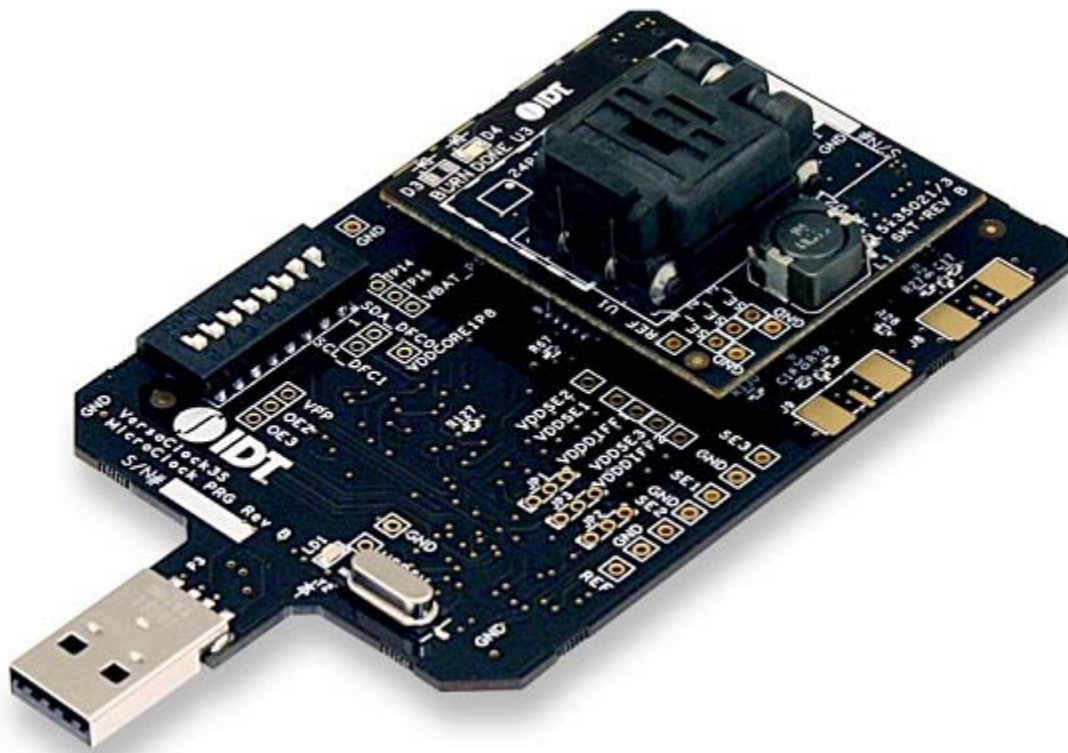


Table 2. USB Development Kit Board Descriptions

Label Number	Label Name	Description
0	Single-ended Outputs	These are test points for single-ended outputs; SE1, SE2, SE3 and reference with GND test points in between.
1	DIP Switch	Used to configure the device in different modes.
2	Clock Inputs	A differential clock can be connected as the source for the device or a single-ended input connected on CLKINB pin.
3	Socket Connector	Used to mount a 24-pin or 20-pin socket board on the top of USB board for programming.
4	25MHz Crystal	Crystal with 8pF load (part number: 603-25-150) is populated.
5	Differential Output #2	The differential pair (out of phase) for DIFF-T2 and DIFF-C2.
6	IDT VersaClock 3S Device	Device is populated on this programmer board.
7	Socket Connector	Used to mount a 24-pin or 20-pin socket board on the top of USB board for programming.
8	Differential Output #1	The differential pair (out of phase) for DIFF-T1 and DIFF-C2.
9	Socket Connector	Used to mount a 24-pin or 20-pin socket board on the top of USB board for programming.
10	LED1	LED to indicate VC3S chip is powered by USB port.

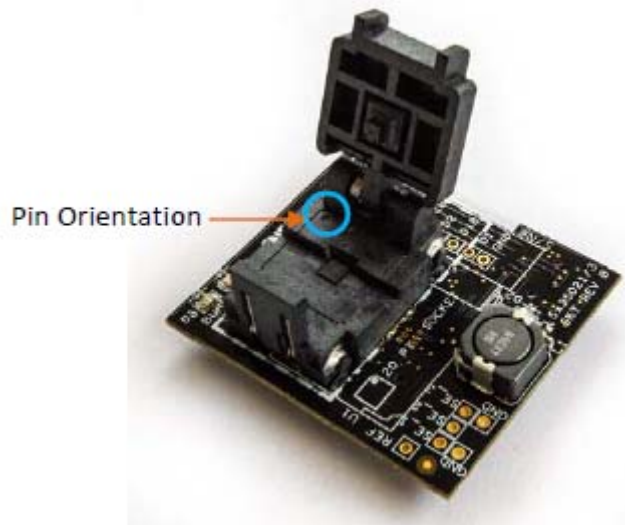
Figure 2. Verification Board Connected with Socket Programming Board



The VersaClock 3S device on the verification board is used for the purpose of validation and measurement on all outputs. After a configuration is validated on the programmer board, the programmer board can be connected along with the specific socket board for programming on VC3S devices. Note that blank parts can only be burnt once through the socket board. The socket boards are available in mainly two variations: 20-pin and 24-pin for all VC3s devices. The following description and images are restricted to the 24-pin socket board.

When the socket is open, identify the position of pin 1 as shown in [Figure 3](#). Align the dot of the blank part with the round dent engraved on the corner of the socket as pointed. After placing the blank part, secure the socket cover.

Figure 3. Socket Board (pin position)



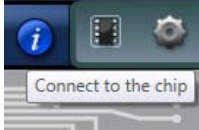

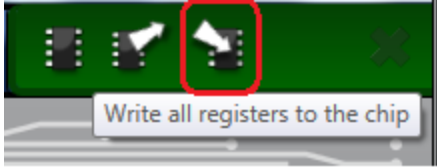
## Programming Steps

Use programming steps 2 – 7 as described in the [Table 3](#) to program a configuration into the blank part in the specified socket board.

Table 3. Programming Steps

Step Number	Step Description	Comments
0	A configuration has been validated and completed on the development kit.	Configurations should have been validated on the programmer board and are ready to proceed for programming on blank parts.
1	All intended outputs should be available for measurement on the USB development kit.	Upon validation of the outputs, “Disconnect” the USB board and proceed for OTP burn as explained in the following sections.
2	Plug the specified socket board onto the USB development kit (shown in <a href="#">Figure 2</a> ).	USB programmer board with the socket board provides a communication channel between the GUI and a blank part in the socket board.
3	Start Timing Commander software (this step can be skipped if a configuration is ready in the personality).	Launch the Timing Commander GUI software. Load the personality file.

Table 3. Programming Steps (Cont.)

Step Number	Step Description	Comments
4	New settings file (this step can be skipped if a configuration is ready in the personality).	Using the Timing Commander GUI, start a new settings file or open a pre-optimized file.
5	Connect to the development kit.	Click on the chip symbol on the top right corner of the GUI window. 
6	—	Once connected, new options will be available on a green background indicating that the USB board has successfully connected with the board. 
7	Click the “write all” icon.	The configuration will be programmed into the blank part in the socket. 

Use the following steps to proceed with the OTP burn.

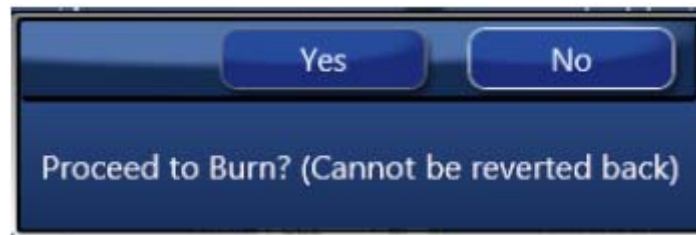
- After the chip is connected to the Timing Commander, the main window of configuration is shown (see Figure 4). Click the OTP icon on the left side of personality window.

Figure 4. Personality Main Window



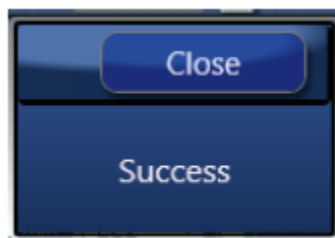
- After clicking the icon, a new dialogue window will open up (see Figure 5). Click “Yes” to proceed with the OTP burn process. Please note that this process cannot be reverted back.

Figure 5. Proceed to Burn Dialog Window



- If the OTP burn process is successful, a dialog window with “Success” will appear indicating that the process is completed and the part has been burnt based on the configuration.

Figure 6. Success Dialog Window



# Schematics

Figure 7. USB Development Kit Board Schematic 1

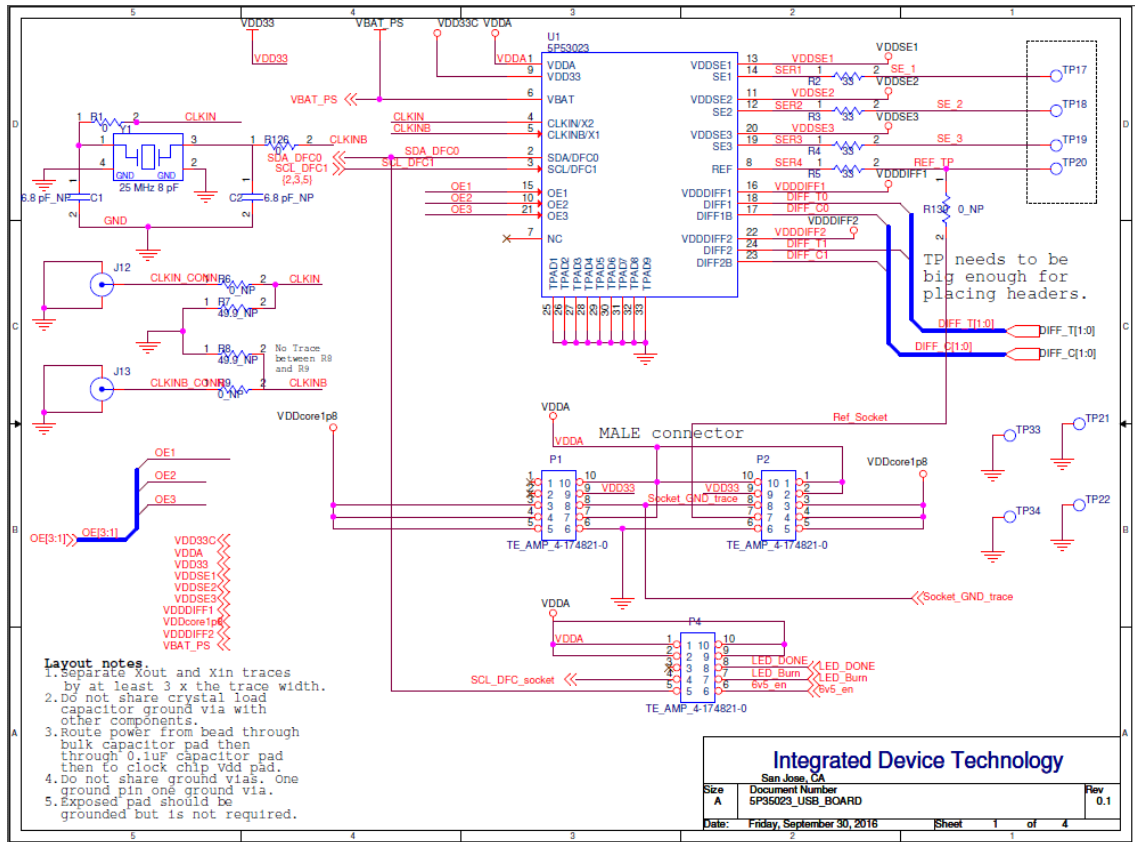


Figure 8. USB Development Kit Board Schematic 2

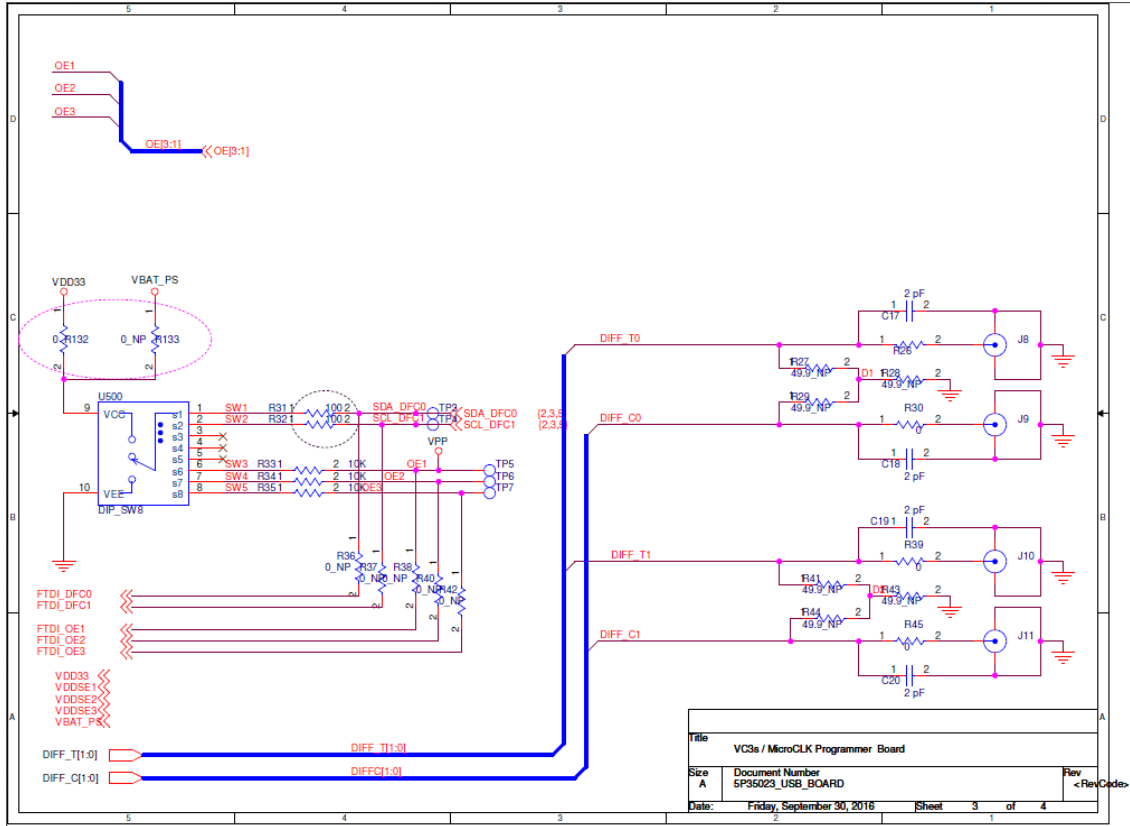


Figure 9. USB Development Kit Board Schematic 3

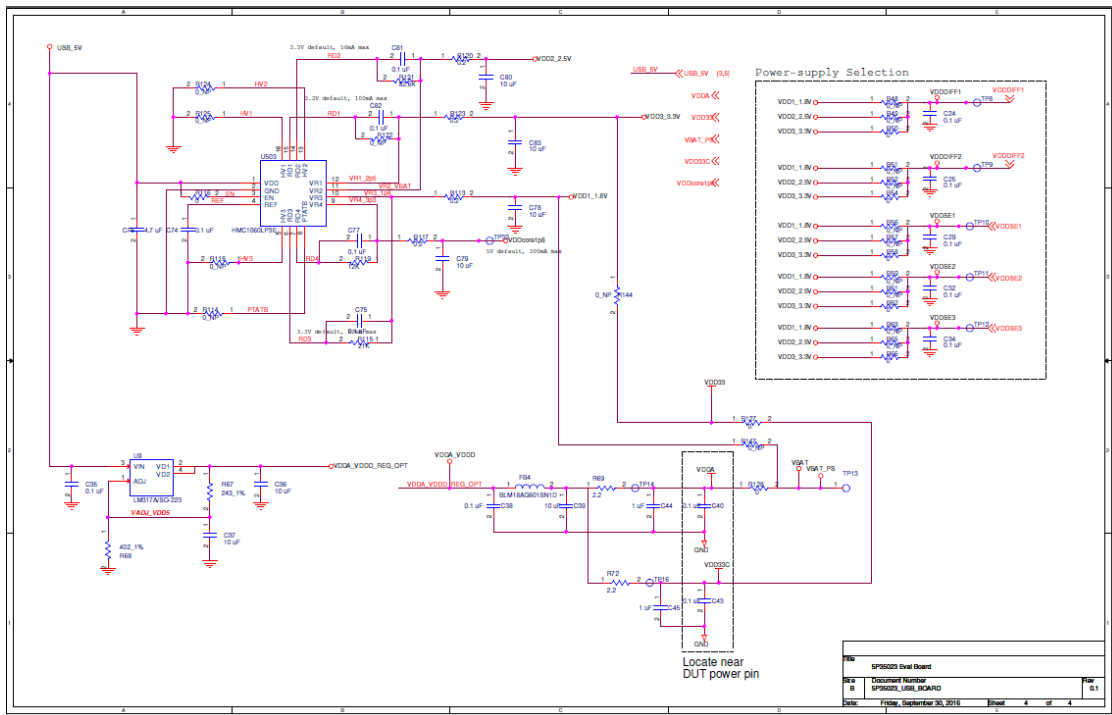
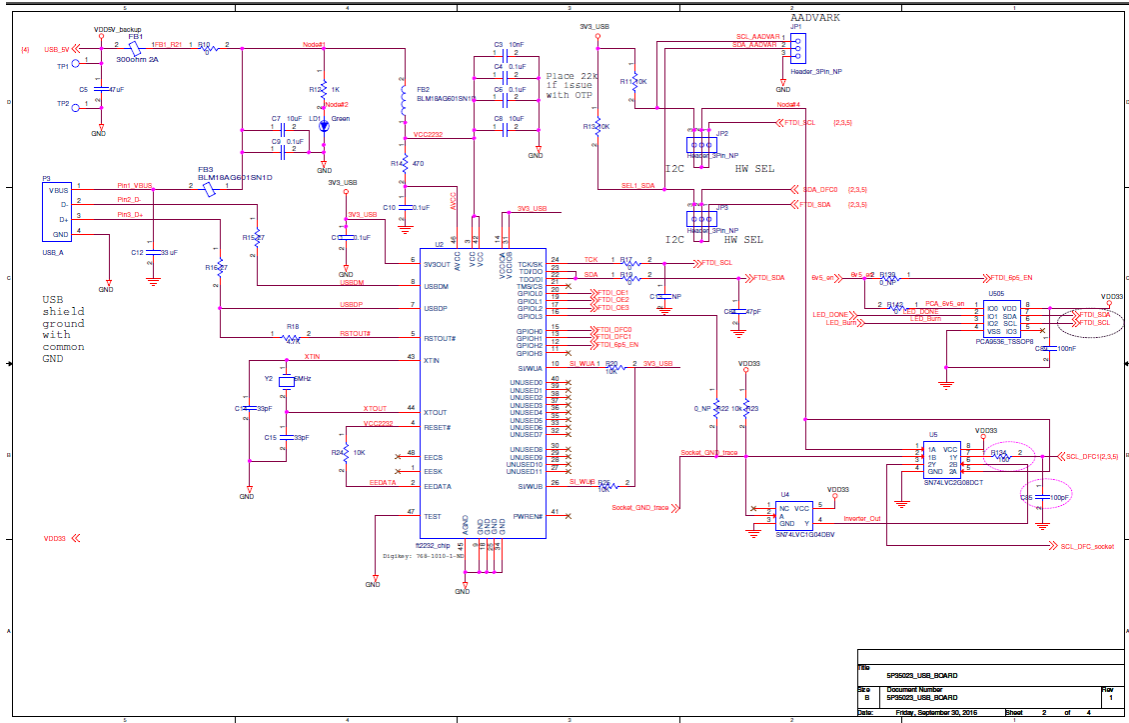


Figure 10. USB Development Kit Board Schematic 4



## Termination Options

The resistor network is not installed for differential outputs in Tables 4 and 5 because an oscilloscope with internal 50Ω termination is utilized for signal termination and measurement. If an AC-coupled, stand-alone LVPECL output is needed (without oscilloscope connections), the 4-resistor network needs to be installed accordingly.

Table 4. Termination Options for Differential Outputs (DIFF - T0/C0)

Signal Type	Series Capacitors	Resistor Network		
	C17, C18	R27, R29	R28	R26, R30
LPHCSL	2pF	Not Installed	Not Installed	Installed

Table 5. Termination Options for Differential Outputs (DIFF - T1/C1)

Signal Type	Series Capacitors	Resistor Network		
	C19, C20	R41, R44	R43	R39, R45
LPHCSL	2pF	Not Installed	Not Installed	Installed



Table 6. Termination Options for Single-ended Output -1

Signal Type	Series Resistor, R2
LVC MOS	33Ω

Table 7. Termination Options for Single-ended Output -2

Signal Type	Series Resistor, R3
LVC MOS	33Ω

Table 8. Termination Options for Single-ended Output -3

Signal Type	Series Resistor, R4
LVC MOS	33Ω

Table 9. Termination Options for REF Output

Signal Type	Series Resistor, R5
LVC MOS	33Ω

## Revision History

Table 10. Revision History

Revision Date	Description of Change
May 4, 2017	Initial release.

## Notice

1. Descriptions of circuits, software and other related information in this document are provided only to illustrate the operation of semiconductor products and application examples. You are fully responsible for the incorporation or any other use of the circuits, software, and information in the design of your product or system. Renesas Electronics disclaims any and all liability for any losses and damages incurred by you or third parties arising from the use of these circuits, software, or information.
2. Renesas Electronics hereby expressly disclaims any warranties against and liability for infringement or any other claims involving patents, copyrights, or other intellectual property rights of third parties, by or arising from the use of Renesas Electronics products or technical information described in this document, including but not limited to, the product data, drawings, charts, programs, algorithms, and application examples.
3. No license, express, implied or otherwise, is granted hereby under any patents, copyrights or other intellectual property rights of Renesas Electronics or others.
4. You shall be responsible for determining what licenses are required from any third parties, and obtaining such licenses for the lawful import, export, manufacture, sales, utilization, distribution or other disposal of any products incorporating Renesas Electronics products, if required.
5. You shall not alter, modify, copy, or reverse engineer any Renesas Electronics product, whether in whole or in part. Renesas Electronics disclaims any and all liability for any losses or damages incurred by you or third parties arising from such alteration, modification, copying or reverse engineering.
6. Renesas Electronics products are classified according to the following two quality grades: "Standard" and "High Quality". The intended applications for each Renesas Electronics product depends on the product's quality grade, as indicated below.

"Standard": Computers; office equipment; communications equipment; test and measurement equipment; audio and visual equipment; home electronic appliances; machine tools; personal electronic equipment; industrial robots; etc.

"High Quality": Transportation equipment (automobiles, trains, ships, etc.); traffic control (traffic lights); large-scale communication equipment; key financial terminal systems; safety control equipment; etc.

Unless expressly designated as a high reliability product or a product for harsh environments in a Renesas Electronics data sheet or other Renesas Electronics document, Renesas Electronics products are not intended or authorized for use in products or systems that may pose a direct threat to human life or bodily injury (artificial life support devices or systems; surgical implantations; etc.), or may cause serious property damage (space system; undersea repeaters; nuclear power control systems; aircraft control systems; key plant systems; military equipment; etc.). Renesas Electronics disclaims any and all liability for any damages or losses incurred by you or any third parties arising from the use of any Renesas Electronics product that is inconsistent with any Renesas Electronics data sheet, user's manual or other Renesas Electronics document.
7. No semiconductor product is absolutely secure. Notwithstanding any security measures or features that may be implemented in Renesas Electronics hardware or software products, Renesas Electronics shall have absolutely no liability arising out of any vulnerability or security breach, including but not limited to any unauthorized access to or use of a Renesas Electronics product or a system that uses a Renesas Electronics product. RENESAS ELECTRONICS DOES NOT WARRANT OR GUARANTEE THAT RENESAS ELECTRONICS PRODUCTS, OR ANY SYSTEMS CREATED USING RENESAS ELECTRONICS PRODUCTS WILL BE INVULNERABLE OR FREE FROM CORRUPTION, ATTACK, VIRUSES, INTERFERENCE, HACKING, DATA LOSS OR THEFT, OR OTHER SECURITY INTRUSION ("Vulnerability Issues"). RENESAS ELECTRONICS DISCLAIMS ANY AND ALL RESPONSIBILITY OR LIABILITY ARISING FROM OR RELATED TO ANY VULNERABILITY ISSUES. FURTHERMORE, TO THE EXTENT PERMITTED BY APPLICABLE LAW, RENESAS ELECTRONICS DISCLAIMS ANY AND ALL WARRANTIES, EXPRESS OR IMPLIED, WITH RESPECT TO THIS DOCUMENT AND ANY RELATED OR ACCOMPANYING SOFTWARE OR HARDWARE, INCLUDING BUT NOT LIMITED TO THE IMPLIED WARRANTIES OF MERCHANTABILITY, OR FITNESS FOR A PARTICULAR PURPOSE.
8. When using Renesas Electronics products, refer to the latest product information (data sheets, user's manuals, application notes, "General Notes for Handling and Using Semiconductor Devices" in the reliability handbook, etc.), and ensure that usage conditions are within the ranges specified by Renesas Electronics with respect to maximum ratings, operating power supply voltage range, heat dissipation characteristics, installation, etc. Renesas Electronics disclaims any and all liability for any malfunctions, failure or accident arising out of the use of Renesas Electronics products outside of such specified ranges.
9. Although Renesas Electronics endeavors to improve the quality and reliability of Renesas Electronics products, semiconductor products have specific characteristics, such as the occurrence of failure at a certain rate and malfunctions under certain use conditions. Unless designated as a high reliability product or a product for harsh environments in a Renesas Electronics data sheet or other Renesas Electronics document, Renesas Electronics products are not subject to radiation resistance design. You are responsible for implementing safety measures to guard against the possibility of bodily injury, injury or damage caused by fire, and/or danger to the public in the event of a failure or malfunction of Renesas Electronics products, such as safety design for hardware and software, including but not limited to redundancy, fire control and malfunction prevention, appropriate treatment for aging degradation or any other appropriate measures. Because the evaluation of microcomputer software alone is very difficult and impractical, you are responsible for evaluating the safety of the final products or systems manufactured by you.
10. Please contact a Renesas Electronics sales office for details as to environmental matters such as the environmental compatibility of each Renesas Electronics product. You are responsible for carefully and sufficiently investigating applicable laws and regulations that regulate the inclusion or use of controlled substances, including without limitation, the EU RoHS Directive, and using Renesas Electronics products in compliance with all these applicable laws and regulations. Renesas Electronics disclaims any and all liability for damages or losses occurring as a result of your noncompliance with applicable laws and regulations.
11. Renesas Electronics products and technologies shall not be used for or incorporated into any products or systems whose manufacture, use, or sale is prohibited under any applicable domestic or foreign laws or regulations. You shall comply with any applicable export control laws and regulations promulgated and administered by the governments of any countries asserting jurisdiction over the parties or transactions.
12. It is the responsibility of the buyer or distributor of Renesas Electronics products, or any other party who distributes, disposes of, or otherwise sells or transfers the product to a third party, to notify such third party in advance of the contents and conditions set forth in this document.
13. This document shall not be reprinted, reproduced or duplicated in any form, in whole or in part, without prior written consent of Renesas Electronics.
14. Please contact a Renesas Electronics sales office if you have any questions regarding the information contained in this document or Renesas Electronics products.

(Note1) "Renesas Electronics" as used in this document means Renesas Electronics Corporation and also includes its directly or indirectly controlled subsidiaries.

(Note2) "Renesas Electronics product(s)" means any product developed or manufactured by or for Renesas Electronics.

(Disclaimer Rev.5.0-1 October 2020)

## Corporate Headquarters

TOYOSU FORESIA, 3-2-24 Toyosu,  
Koto-ku, Tokyo 135-0061, Japan  
[www.renesas.com](http://www.renesas.com)

## Trademarks

Renesas and the Renesas logo are trademarks of Renesas Electronics Corporation. All trademarks and registered trademarks are the property of their respective owners.

## Contact Information

For further information on a product, technology, the most up-to-date version of a document, or your nearest sales office, please visit:  
[www.renesas.com/contact/](http://www.renesas.com/contact/)