



Integrated Device Technology

ZLED7010KIT-D1

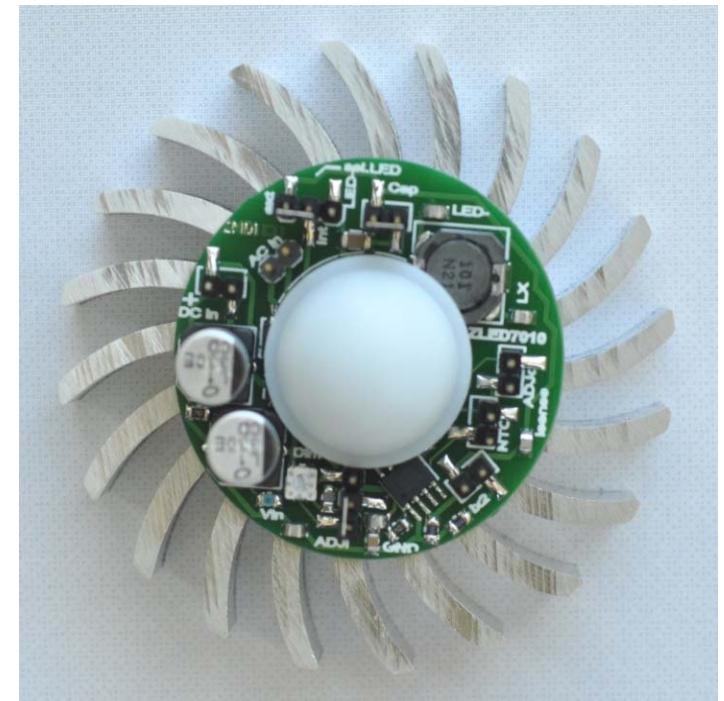
Kit Description v. 0.9

Content

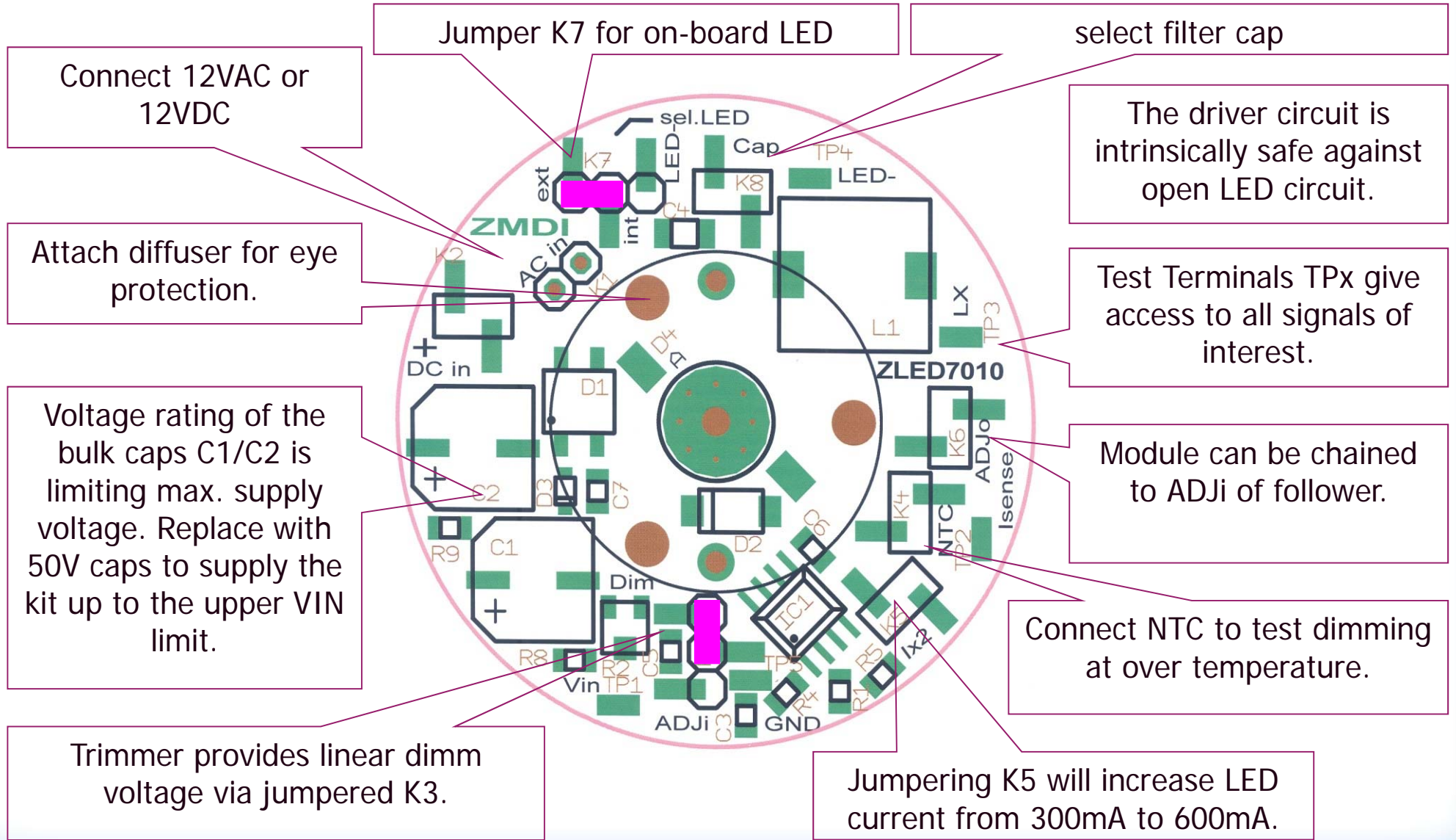
1. Features
2. Quick Start
3. Schematics
4. Assembly Map
5. BOM
6. Ordering Information

Features

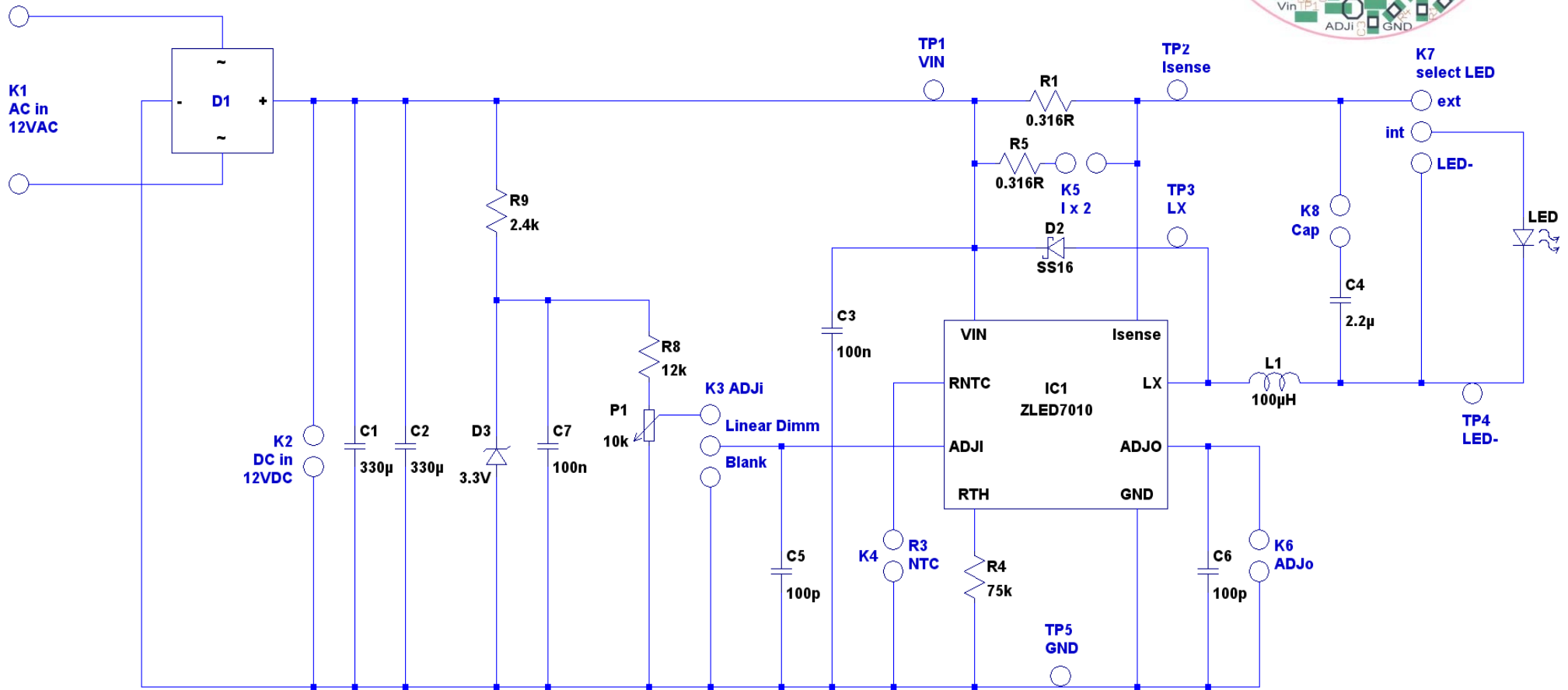
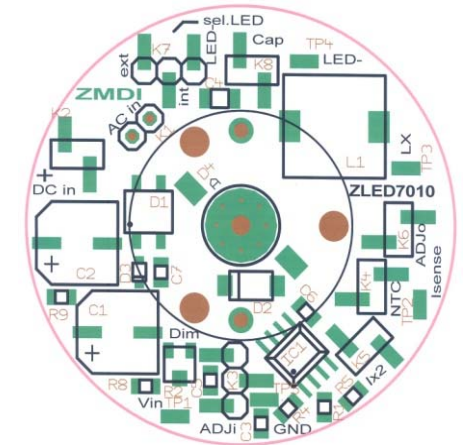
- Kit demonstrates ZLED7010 functionality in a demo application
- Jumpers to access control options of ZLED7010
- 12VAC or 12VDC operation
- 300 mA / 600 mA LED current
- Decorative cool body (much oversized) & diffuser



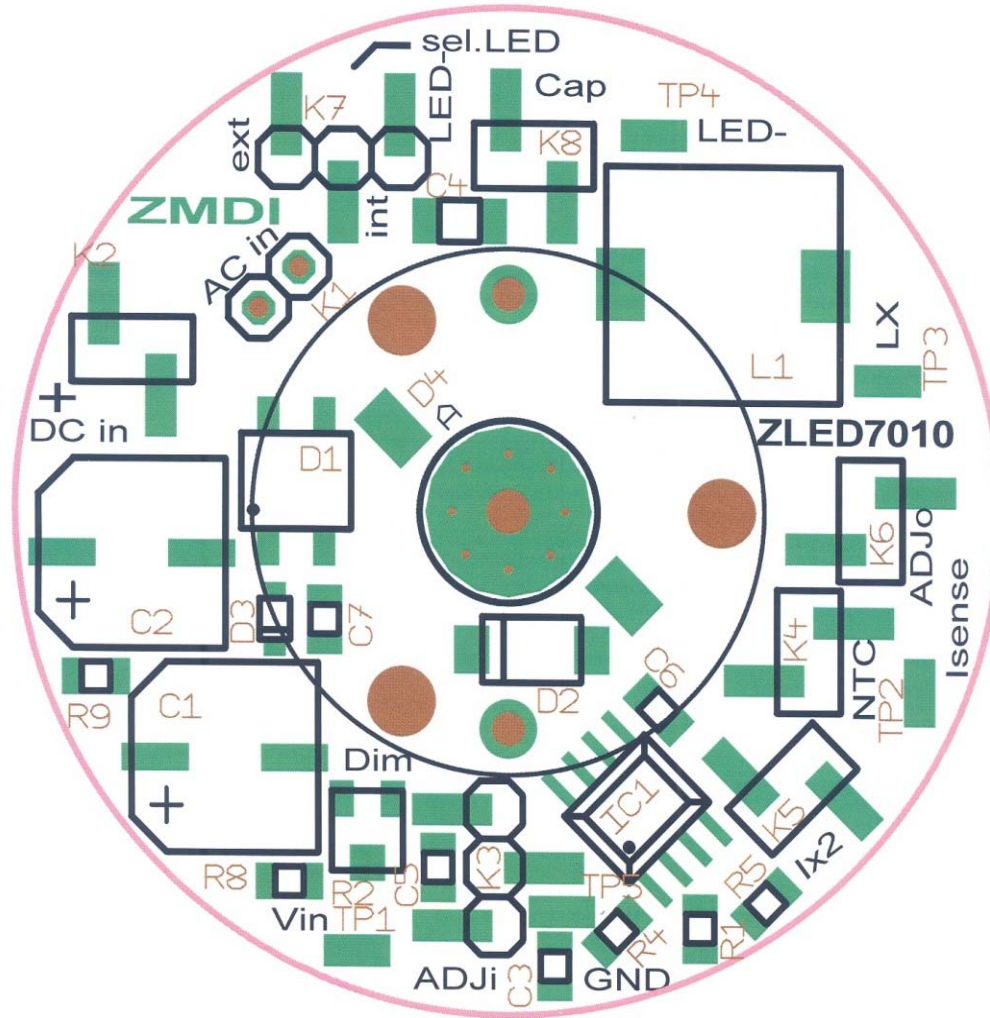
Quick Start



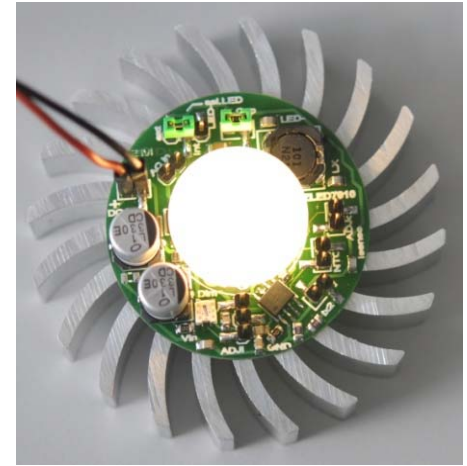
Schematics



Assembly Map



BOM



No.	Quantity	Symbol	Description	Parameters	Part No.	Manufacturer	Package
1	1	IC1	LED driver		ZLED7010	ZMDI	SOP8
2	1	LED	Power LED 3W		HPB8b-49K3YWA	Huey Jann	
3	1	D1	Schottky Rectifier Bridge	60V / 1A	CDBHD160L	Comchip	TO-269AA
4	1	D2	Schottky Diode	60V / 1A	SS16	various	SMA
5	1	D3	Zener Diode	3.3V / 0.2W		various	SOD323
6	4	R1/R5	Resistor	0.316Ω / 1%		various	0805
7	1	R3	NTC	100kΩ	not assembled		
8	1	R4	Resistor	75 kΩ			0805
9	1	R8	Resistor	12kΩ			0805
10	1	R9	Resistor	2,4kΩ			0805
11	1	P1	Trimmer	10kΩ	TS3	Vishay	
12	1	L1	Power Inductor, shielded	100μH	CDRH103R	Sumida	
13	2	C1/C2	Al El cap	330μF/25V		various	d8x10
14	2	C3/C7	X7R Cap	100nF			0805
15	1	C4	X7R cap	2,2 μF/50V	X7R-G1206	Murata	1206
16	2	C5/6	X7R cap	100pF			0805
17	6	TP1 to TP5	Test Terminal		C12000B	Nicomatic	SOT08-05
18	1	K1	TH Terminal 0.63□				2.54mm grid
19	7	K2 to K8	SMD Terminal 0.63□				2.54mm grid

Ordering Information

ZLED7000KIT-D1

ZLED7000 MR16 Halogen replacement Demo Kit 12VAC/VDC, incl. 1 ZLED-PCB1

ZLED7001KIT-E1

ZLED7001 Evaluation Board up to 24VAC / 40VDC, incl. 1 ZLED-PCB1

ZLED7010KIT-D1

ZLED7010 Demo Board with LED on cool body 12VAC/VDC

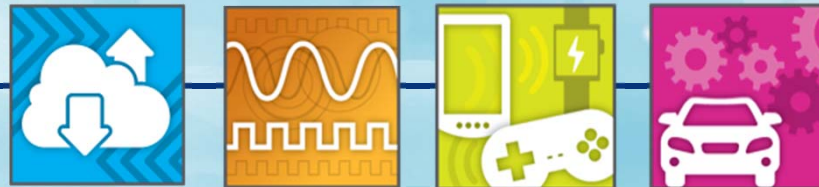
ZLED-PCB1

Test PCB with one 3W white HB-LED, cascadable to one multiple LED string

ZLED-PCB2

10 unpopulated test PCBs for modular LED string with footprints of 9 common HB-LED types

Thank You



Analog Mixed Signal Product Leadership in Growth Markets

