

BCPX3 Evaluation Kit J80D2 RTK0EE0007D02001BJ

User's Manual

RENESAS
PLC Modem LSI R9A06G037

All information contained in these materials, including products and product specifications, represents information on the product at the time of publication and is subject to change by Renesas Electronics Corp. without notice. Please review the latest information published by Renesas Electronics Corp. through various means, including the Renesas Electronics Corp. website (<http://www.renesas.com>).

Notice

1. Descriptions of circuits, software and other related information in this document are provided only to illustrate the operation of semiconductor products and application examples. You are fully responsible for the incorporation or any other use of the circuits, software, and information in the design of your product or system. Renesas Electronics disclaims any and all liability for any losses and damages incurred by you or third parties arising from the use of these circuits, software, or information.
2. Renesas Electronics hereby expressly disclaims any warranties against and liability for infringement or any other disputes involving patents, copyrights, or other intellectual property rights of third parties, by or arising from the use of Renesas Electronics products or technical information described in this document, including but not limited to, the product data, drawing, chart, program, algorithm, application examples.
3. No license, express, implied or otherwise, is granted hereby under any patents, copyrights or other intellectual property rights of Renesas Electronics or others.
4. You shall not alter, modify, copy, or otherwise misappropriate any Renesas Electronics product, whether in whole or in part. Renesas Electronics disclaims any and all liability for any losses or damages incurred by you or third parties arising from such alteration, modification, copy or otherwise misappropriation of Renesas Electronics products.
5. Renesas Electronics products are classified according to the following two quality grades: "Standard" and "High Quality". The intended applications for each Renesas Electronics product depends on the product's quality grade, as indicated below.
"Standard": Computers; office equipment; communications equipment; test and measurement equipment; audio and visual equipment; home electronic appliances; machine tools; personal electronic equipment; and industrial robots etc.
"High Quality": Transportation equipment (automobiles, trains, ships, etc.); traffic control (traffic lights); large-scale communication equipment; key financial terminal systems; safety control equipment; etc.
Renesas Electronics products are neither intended nor authorized for use in products or systems that may pose a direct threat to human life or bodily injury (artificial life support devices or systems, surgical implantations etc.), or may cause serious property damages (space and undersea repeaters; nuclear power control systems; aircraft control systems; key plant systems; military equipment; etc.). Renesas Electronics disclaims any and all liability for any damages or losses incurred by you or third parties arising from the use of any Renesas Electronics product for which the product is not intended by Renesas Electronics.
6. When using the Renesas Electronics products, refer to the latest product information (data sheets, user's manuals, application notes, "General Notes for Handling and Using Semiconductor Devices" in the reliability handbook, etc.), and ensure that usage conditions are within the ranges specified by Renesas Electronics with respect to maximum ratings, operating power supply voltage range, heat radiation characteristics, installation, etc. Renesas Electronics disclaims any and all liability for any malfunctions or failure or accident arising out of the use of Renesas Electronics products beyond such specified ranges.
7. Although Renesas Electronics endeavors to improve the quality and reliability of Renesas Electronics products, semiconductor products have specific characteristics such as the occurrence of failure at a certain rate and malfunctions under certain use conditions. Further, Renesas Electronics products are not subject to radiation resistance design. Please ensure to implement safety measures to guard them against the possibility of bodily injury, injury or damage caused by fire, and social damage in the event of failure or malfunction of Renesas Electronics products, such as safety design for hardware and software including but not limited to redundancy, fire control and malfunction prevention, appropriate treatment for aging degradation or any other appropriate measures by your own responsibility as warranty for your products/system. Because the evaluation of microcomputer software alone is very difficult and not practical, please evaluate the safety of the final products or systems manufactured by you.
8. Please contact a Renesas Electronics sales office for details as to environmental matters such as the environmental compatibility of each Renesas Electronics product. Please investigate applicable laws and regulations that regulate the inclusion or use of controlled substances, including without limitation, the EU RoHS Directive carefully and sufficiently and use Renesas Electronics products in compliance with all these applicable laws and regulations. Renesas Electronics disclaims any and all liability for damages or losses occurring as a result of your noncompliance with applicable laws and regulations.
9. Renesas Electronics products and technologies shall not be used for or incorporated into any products or systems whose manufacture, use, or sale is prohibited under any applicable domestic or foreign laws or regulations. You shall not use Renesas Electronics products or technologies for (1) any purpose relating to the development, design, manufacture, use, stockpiling, etc., of weapons of mass destruction, such as nuclear weapons, chemical weapons, or biological weapons, or missiles (including unmanned aerial vehicles (UAVs)) for delivering such weapons, (2) any purpose relating to the development, design, manufacture, or use of conventional weapons, or (3) any other purpose of disturbing international peace and security, and you shall not sell, export, lease, transfer, or release Renesas Electronics products or technologies to any third party whether directly or indirectly with knowledge or reason to know that the third party or any other party will engage in the activities described above. When exporting, selling, transferring, etc., Renesas Electronics products or technologies, you shall comply with any applicable export control laws and regulations promulgated and administered by the governments of the countries asserting jurisdiction over the parties or transactions.
10. Please acknowledge and agree that you shall bear all the losses and damages which are incurred from the misuse or violation of the terms and conditions described in this document, including this notice, and hold Renesas Electronics harmless, if such misuse or violation results from your resale or making Renesas Electronics products available any third party.
11. This document shall not be reprinted, reproduced or duplicated in any form, in whole or in part, without prior written consent of Renesas Electronics.
12. Please contact a Renesas Electronics sales office if you have any questions regarding the information contained in this document or Renesas Electronics products.

(Note 1) "Renesas Electronics" as used in this document means Renesas Electronics Corporation and also includes its majority-owned subsidiaries.

(Note 2) "Renesas Electronics product(s)" means any product developed or manufactured by or for Renesas Electronics.

General Precautions in the Handling of MPU/MCU Products

The following usage notes are applicable to all MPU/MCU products from Renesas. For detailed usage notes on the products covered by this manual, please refer to the relevant sections of the manual.

1. Handling of Unused Pins

Handle unused pins in accord with the directions given under Handling of Unused Pins in the manual.

- The input pins of CMOS products are generally in the high-impedance state. In operation with unused pin in the open-circuit state, extra electromagnetic noise is induced near LSI, an associated shoot-through current flows internally, and malfunctions occur due to the false recognition of the pin state as an input signal become possible. Unused pins should be handled as described under Handling of Unused Pins in the manual.

2. Processing at Power-on

The state of the product is undefined at the moment when power is supplied.

- The states of internal circuits in the LSI are indeterminate and the states of register settings and pins are undefined at the moment when power is supplied.

In a finished product where the reset signal is applied to the external reset pin, the states of pins are not guaranteed from the moment when power is supplied until the reset process is completed. In a similar way, the states of pins in a product that is reset by an on-chip power-on reset function are not guaranteed from the moment when power is supplied until the power reaches the level at which resetting has been specified.

3. Prohibition of Access to Reserved Addresses

Access to reserved addresses is prohibited.

- The reserved addresses are provided for the possible future expansion of functions. Do not access these addresses; the correct operation of LSI is not guaranteed if they are accessed.

4. Clock Signals

After applying a reset, only release the reset line after the operating clock signal has become stable. When switching the clock signal during program execution, wait until the target clock signal has stabilized.

- When the clock signal is generated with an external resonator (or from an external oscillator) during a reset, ensure that the reset line is only released after full stabilization of the clock signal. Moreover, when switching to a clock signal produced with an external resonator (or by an external oscillator) while program execution is in progress, wait until the target clock signal is stable.

5. Differences between Products

Before changing from one product to another, i.e. to one with a different part number, confirm that the change will not lead to problems.

- The characteristics of MPU/MCU in the same group but having different part numbers may differ because of the differences in internal memory capacity and layout pattern. When changing to products of different part numbers, implement a system-evaluation test for each of the products.

Regulatory Compliance Notices

European Union regulatory notices

This product complies with the following EU Directives. (These directives are only valid in the European Union.)

CE Certifications:

Directive 2014/30/EU (EMC) : EN 55032:2012, EN 55024:2010

Directive 2011/65/EU (RoHS) : EN 50581:2012

Information for traceability

- Authorized representative
Name: Renesas Electronics Corporation
Address: 5-20-1, Josuihon-cho, Kodaira-shi, Tokyo 187-8588, Japan
- Manufacturer
Name: Renesas Electronics Corporation
Address: 5-20-1, Josuihon-cho, Kodaira-shi, Tokyo 187-8588, Japan
- Person responsible for placing on the market
Name: Renesas Electronics Europe GmbH
Address: Arcadiastrasse 10, 40472 Dusseldorf, Germany
- Trademark and Type name
Trademark: Renesas
Product name: DC PLC BOARD
Model name: RTK0EE0007D03001BJ **

Environmental Compliance and Certifications:

Waste Electrical and Electronic Equipment (WEEE) Directive 2012/19/EU

United States regulatory notices on electromagnetic compatibility

FCC Certifications (United States Only):

This device complies with Part 15 of the FCC Rules. Operation is subject to the following two conditions: (1) this device may not cause harmful interference, and (2) this device must accept any interference received, including interference that may cause undesired operation.

** Note)

About representation of the model name

A model name of the kit including accessories is "RTK0EE0007D01001BJ". (It is displayed on a box.)

A model name of the PLC board is "RTK0EE0007D03001BJ". (It is displayed on the board.)

Important

Before using this product, be sure to read this document carefully.

This Product:

"This product" in this document collectively refers to the following product manufactured by Renesas Electronics

Corporation. "This product" herein encompasses neither the customer's user system nor the host machine.

(a) BCPX3 Evaluation Kit J80D2equipped with PLC modem LSI R9A06G037(RTK0EE0007D02001BJ)

Purpose of use of this product:

This product is a solution kit which adopts Renesas Electronics Corporation PLC modem LSI R9A06G037. Be sure to use this product correctly according to said purpose of use. Please avoid using this product other than for its intended purpose of use.

For those who use this product:

This product can only be used by those who have carefully read the document and know how to use it.

Use of this product requires basic knowledge of electric circuits, logical circuits, and MCUs.

When using this product:

(1) This product is a development-support unit for use in your program development and evaluation stages. When a program you have finished developing is to be incorporated in a mass-produced product, the judgment as to whether it can be put to practical use is entirely your own responsibility, and should be based on evaluation of the device on which it is installed and other experiments.

(2) In no event shall Renesas Electronics Corporation be liable for any consequence arising from the use of this product.

(3) Renesas Electronics Corporation strives to provide workarounds for and correct trouble with products malfunctions, with some free and some incurring charges. However, this does not necessarily mean that Renesas Electronics Corporation guarantees the provision of a workaround or correction under any circumstances.

(4) This product covered by this document has been developed on the assumption that it will be used for program development and evaluation in laboratories. Therefore, it does not fall within the scope of applicability of the Electrical Appliance and Material Safety Law and protection against electromagnetic interference when used in your country.

(5) Renesas Electronics Corporation cannot predict all possible situations and possible cases of misuse that carry a potential for danger. Therefore, the warnings in this document and the warning labels attached to this product do not necessarily cover all such possible situations and cases. The customer is responsible for correctly and safely using this product.

(6) This product covered by this document has not been through the process of checking conformance with UL or other safety standards and IEC or other industry standards. This fact must be taken into account when this product is used in your country.

(7) Renesas Electronics Corporation will not assume responsibility of direct or indirect damage caused by an accidental failure or malfunction in this product.

(8) The all operation of the USB device connected to this product is not guaranteed.

(9) All of the application note and sample program provided about this product are reference data, and they do not guarantee the operation. Please use as technical reference data for software development.

Usage restrictions:

This product has been developed as evaluation system for PLC modem LSI R9A06G037.

Therefore, do not use it as an embedded device in other equipment. Also, do not use it to develop systems or equipment for use in the following fields.

(1) Transportation and vehicular

(2) Medical (equipment that has an involvement in human life)

(3) Aerospace

(4) Nuclear power control

(5) Undersea repeaters

If you are considering the use of this product for one of the above purposes, please be sure to consult your local distributor.

About product changes:

We are constantly making efforts to improve the design and performance of our product. Therefore, the specification or design of this product, or this document, may be changed without prior notice.

About rights:

(1) We assume no responsibility for any damage or infringement on patent rights or any other rights arising from the use of any information, products or circuits presented in this document.

(2) The information or data in this document does not implicitly or otherwise grant a license to patent rights or any other rights belonging to Renesas or to a third party.

This document and this product (BCPX3 Evaluation Kit J80D2 RTK0EE0007D02001BJ) are copyrighted, with all rights reserved by Renesas. This document may not be copied, duplicated or reproduced, in whole or part, without prior written consent from Renesas.

About diagrams:

Some diagrams in this document may differ from the objects they represent.

About warranty:

Exchange free only in the case of initial failure.

This product is provided "as is" and no repair, analysis, etc. are supported.







Regulatory Compliance Notices

Precautions for Safety

In this document, several icons are used to insure proper handling of this product and also to prevent injuries to you or other persons, or damage to your properties.

This chapter describes the precautions which should be taken in order to use this product safely and properly.

Be sure to read this chapter before using this product.

	<p>This symbol represents a warning about safety. It is used to arouse caution about a potential danger that will possibly inflict an injury on persons. To avoid a possible injury or death, please be sure to observe the safety message that follows this symbol.</p>
 WARNING	<p>WARNING indicates a potentially dangerous situation that will cause death or heavy wound unless it is avoided.</p>
 CAUTION	<p>CAUTION indicates a potentially dangerous situation that will cause a slight injury or a medium-degree injury unless it is avoided. In addition to the three above, the following are also used as appropriate.</p>
<p>In addition to the three above, the following are also used as appropriate.</p>	
<p>△ means PROHIBITION</p>	
<p>Example:</p> 	<p>CAUTION AGAINST AN ELECTRIC SHOCK</p>
<p>⊘</p>	
<p>Example:</p> 	<p>DISASSEMBLY PROHIBITED</p>
<p>● means A FORCIBLE ACTION</p>	
<p>Example:</p> 	<p>UNPLUG THE POWER CABLE FROM THE RECEPTACLE</p>

WARNING

Warnings for AC Power Supply :



- Do not touch the plug of the AC power cable when your hands are wet. This may cause electric shock.
- If other equipment is connected to the same branch circuit, care should be taken not to overload.



- If you smell a strange odor, hear an unusual sound, or see smoke coming from this product, then disconnect power immediately by unplugging both the AC/DC Adapter and the AC power cables for PLC signal from the outlet.
Do not use this as it is because of the danger of electric shock and/or fire. In this case, contact your local distributor.

Warnings to Be Taken for This Product:



- Do not disassemble or modify this product. Personal injury due to electric shock may occur if this product is disassembled and modified. Disassembling and modifying the product will void your warranty.
- Make sure nothing falls into the cooling fan on the top panel, especially liquids, metal objects, or anything combustible.



- CAUTION: High Voltage (Risk of Electric Shock)
- This is the evaluation kit for powerline communications. All work in powerline communications must be done with extreme care. Caution must be exercised when using power supplies or power related equipment.
- There is high voltage (100V-230 V AC) power on this board. Do not touch the high voltage area during live operation for debugging, probing, or any other.
- The capacitors on this board can be energized even after disconnecting this board from the main power supply. Be careful to not touch any parts on this board immediately after you disconnect the main power supply.
- Do not touch the high voltage area during live operation for debugging, probing, or any other purpose.
- Renesas Electronics bears no responsibility for any consequences that may result from the improper or hazardous use of this board.

WARNING

Warning for Installation :



- Do not set this product in water or areas of high humidity. Make sure that the product does not get wet. Spilling water or some other liquid into the product may cause unrepairable damage.

Warning for Use Environment :



- This equipment is to be used in an environment with a maximum ambient temperature of 40°C. Care should be taken that this temperature is not exceeded.
- Do not touch this product immediately after a lightning strike.

CAUTION

Cautions for AC Power Supply :



- Use a power cord and AC adapter that are appropriate for that country's safety standards.
- Use of an inappropriate power cord or AC adapter may cause generation of heat, fire, or electric shock.

Cautions to Be Taken for Handling This Product :



- Use caution when handling the product. Be careful not to apply a mechanical shock.
- Do not touch the connector pins of this product and the target MCU connector pins directly. Static electricity may damage the internal circuits.
- When attaching and removing the cable, hold the plug of the cable and do not touch the cable. Do not pull this product by the communications interface cable or the flexible cable. And, excessive flexing or force may break conductors.

Caution to Be Taken for System Malfunctions :



- If this product malfunctions because of interference like external noise, do the following to remedy the trouble.
 - (1)Exit this product debugger, and shut OFF this product and the user system.
 - (2)After a lapse of 10 seconds, turn ON the power of this product and the user system again.

Caution to Be Taken for Disposal :



- Penalties may be applicable for incorrect disposal of this waste, in accordance with your national legislation.

European Union regulatory notices



The WEEE (Waste Electrical and Electronic Equipment) regulations put responsibilities on producers for the collection and recycling or disposal of electrical and electronic waste. Return of WEEE under these regulations is applicable in the European Union only. This equipment (including all accessories) is not intended for household use. After use the equipment cannot be disposed of as household waste, and the WEEE must be treated, recycled and disposed of in an environmentally sound manner. Renesas Electronics Europe GmbH can take back end of life equipment, register for this service at ["http://www.renesas.eu/weee"](http://www.renesas.eu/weee)

How to Use This Manual

1. Purpose and Target Readers

This manual is designed to provide the user with an understanding of the hardware functions and electrical characteristics of the evaluation board. It is intended for users designing applications and systems based on the board.

Particular attention should be paid to the precautionary notes when using the manual. These notes occur within the body of the text, at the end of each section, and in the Usage Notes section.

The revision history summarizes the locations of revisions and additions. It does not list all revisions. Refer to the text of the manual for details.

Table of Contents

1. Product Overview	15
1.1 Board Configuration	15
1.2 PLC evaluation software configuration	20
1.3 Descriptions on Main Body Parts	21
1.4 Required Items for Evaluation DC PLC Communication.....	25
2. Usage	26
2.1 How to set SW and JP.....	26
2.2 DC PLC Communication Usage.....	27
2.2.1 DC Power Supply Setting	27
2.2.2 How to Select Drive System	30
2.2.3 DC PLC Communication Using SimpleMAC Function	31
3. Interface Specifications	32
3.1 PLC Board	32
3.1.1 LED (LED1, LED2, LED3, LED4)	32
3.1.2 PLC Connector(CN2/CN3).....	32
3.1.3 Power Supply Connector(CN8)	32
3.1.4 Power Supply Switching Jumper(JP9).....	32
3.1.5 Jumper/Switch for Selecting Drive System	33
3.1.6 Reset Switch(SW7).....	33
3.1.7 Switch for Enabling/Disabling MCU(RL78) (SW6)	33
3.1.8 DIP Switch for Boot Setting and SROM Connection (SW1)	34
3.1.9 USB Connector(CN4) and Serial Communication Changeover Switch(SW6)	34
3.1.10 MCU Board Connector	35
3.1.11 Extension board Connector.....	36
3.2 RL78 MCU board	37
3.2.1 General-purpose DIP SW for MCU (RL78) (SW8, SW9).....	37
3.2.2 SROM(AT25SF321-SSHD)	37
3.2.3 OCD connector(CN12)	37
3.2.4 LED (LED5 / LED6)	38
3.2.5 Control MCU(RL78)	39
3.2.6 PLC board connector (CN10 / CN11)	40
3.3 Power Filter Board.....	41

3.3.1	Power Supply Connector (CN21: Silk Display PWR_IN).....	41
3.3.2	Communication Line Connector (CN20: Silk Display PWR_OUT(PLC))	41
3.3.3	Power Supply Mode Setting Jumper (JP1/JP13)	41
3.3.4	GND Pin TP(TP8)	41

1. Product Overview

The BCPX3 Evaluation Kit J80D2 is a tool to evaluate DC power line communication (hereinafter referred to as DC PLC) for system evaluation and software development with Renesas PLC modem LSI R9A06G037(CPX3).

This chapter explains the board configuration and the usage of this product.

1.1 Board Configuration

The BCPX3 Evaluation Kit has a total circuit configuration with items required for DC power line communication including the analogue front-end, control MCU, and CPX3. Figure 1-1 show the board configurations of this product.

These products consist of 4 board types as listed below. When using RL78 MCU board, it consists of 1) and 2) as shown below. Power filter board is used to connect PLC board to DC power line.

"RTK0EE0007D02001BJ"(described in the external package) is a type name of this evaluation kit including attachments. Type names for each boards are follows; "RTK0EE0007D03001BJ" for the PLC board, "RTK0EE0007C05001BJ" for the RL78 MCU board, and "RTK0EE0007Z07001BJ" for the Power Filter Board.

- 1) PLC board : PLC modem LSI (CPX3:R9A06G037) and AFE device (ISL15110)
- 2) RL78 MCU board : Control MCU board (RL78)
- 3) Power Filter Board : Filter to remove PLC signals into the impedance upper and DC power supply source.

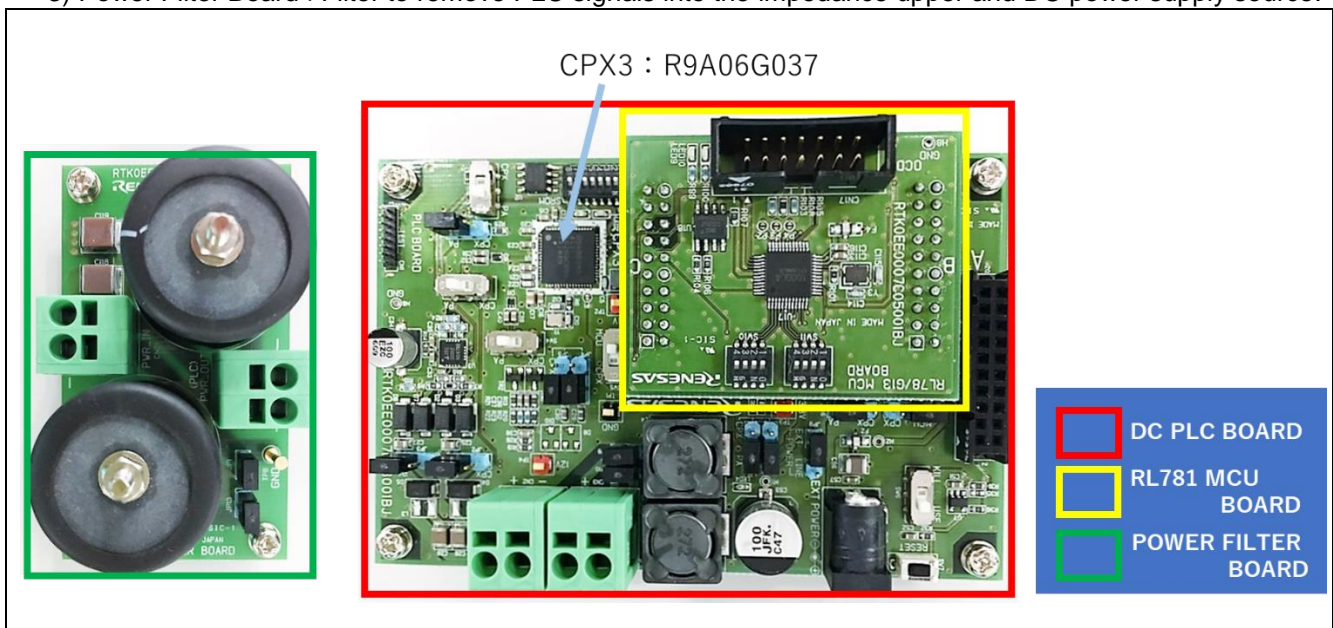


Figure 1-1 Configuration of PLC board, RL78 MCU board and Power filter board

Table 1-1 The List of product specifications

Product	BCPX3 Evaluation Kit J80D2
Model number	RTK0EE0007D02001BJ
PLC modem device	CPX3 (R9A06G037: Renesas)
Control MCU	RL78/G13 (R5F100GLAFB#V0: Renesas)
AFE device	ISL15110 (Intersil) : Power amp(hereinafter referred to as PA) + RCV amp, RX Step ATT : discrete
PLC specification	Supported frequencies: 35kHz – 490kHz Support 1 : 35.9375kHz - 90.625kHz Support 2 : 98.4375kHz - 121.875kHz Support 3 : 154.6875kHz - 403.125kHz Support 4 : 154.6875kHz - 487.5kHz Supported power line voltage: 16 to 48VDC
Power supply	Line feeding: feed power from the power source to the communication line (DC power line) (DC16 to 48V, 0.5A or more recommended) External feeding: feed power from the external AC adaptor (DC16 to 48V, 1A or more recommended) (*1)
	(1) PLC board×1 (2) RL78 MCU board×1 (3) Power filter board ×1 (4) USB cable ×1 (5) Precaution for use ×1 (6) SJ/T 11364 table of hazardous substance (China RoHS) ×1
Board dimensions	(1):105×70×27 mm, (1)+(2): 105×70×32 mm, (3): 40×70×35 mm

(*1) The AC adaptor needs to be prepared by the user, as it is not included in the kit.

Table 1-2 Communication performance example

Drive system	CPX3 direct drive	CPX3+PA drive
The number of connected boards	64 boards (*2) (*3) (*4)	128 boards (*2) (*3) (*4)
Communication range	800m (*2) (*3) (*4)	1.6km (*2) (*3) (*4)
Power line feeding voltage (input voltage)	DC16 to48V	
Polarity of transmission path (expected 2 cores)	Non-polarity/Polarity	
Transmission path specification	Expected the cable equivalent to AWG12 to AWG18 Note that the communication range and number of connected boards may change depending on line specifications (*2)	
Transmission path topology	Line topology (*3), Star topology (*4)	
Frequencies	Refer to Table 1-1	
Transmission rate	Max. 200kbps	
Transmission output level (Total power within the frequency band)	$\geq 99\text{dBuVrms}$	$\geq 119\text{dBuVrms}$
Input impedance	$\geq 1.5\text{k}\Omega$	$\geq 1\text{k}\Omega$
Board power supply voltage 1	-	12V
Board power supply voltage 2	3.3V	3.3V
Consumption current (at reception/transmission)	$\leq 20\text{mA}$ (converted to DC24V)	$\leq 27\text{mA}$ (converted to DC24V)

(*2) When using the cable equivalent to AWG12(w/o shield, 2 cores/2.0mm Φ /impedance :5 Ω /km)

(*3) (*4) Look at the next page

(*3) Connection example of Line topology

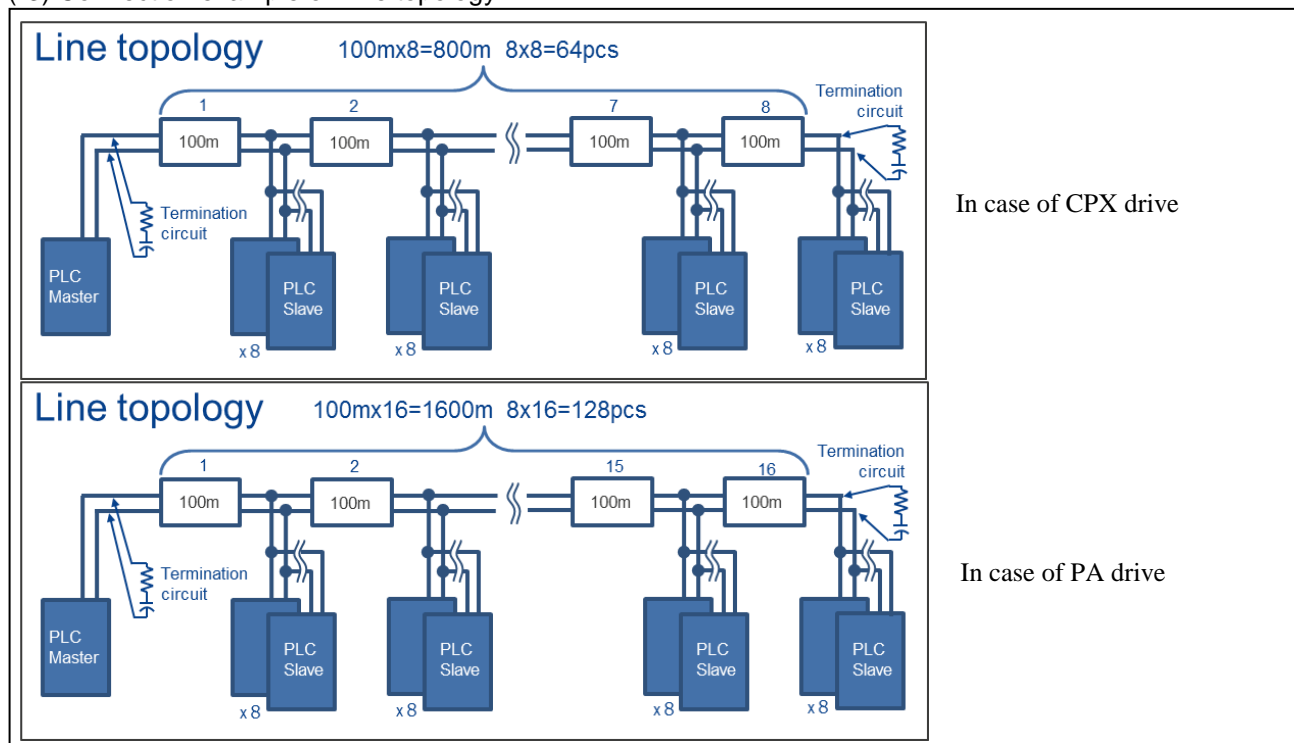


Figure 1-2 Connection example of Line topology

(*4) Connection example of Star topology

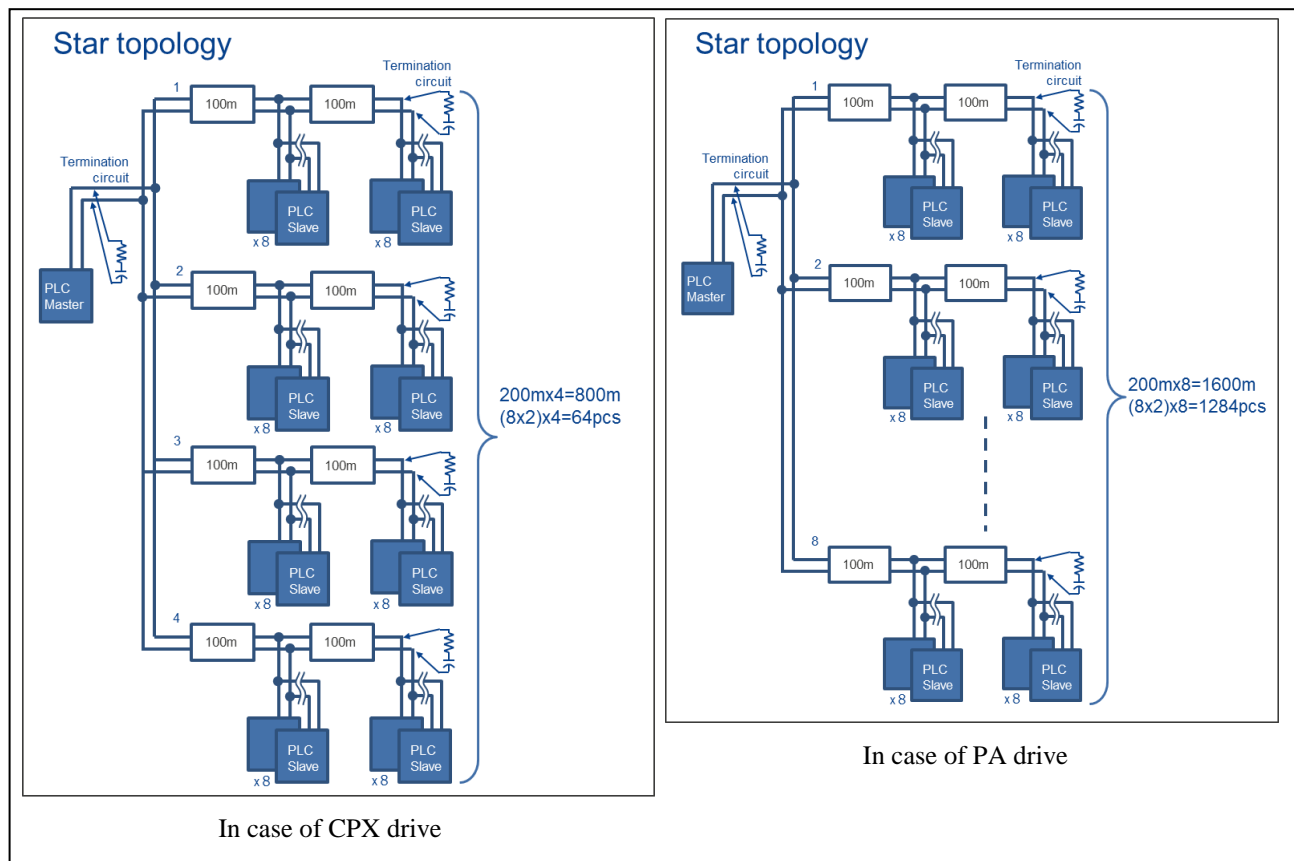


Figure 1-3 Connection example of Star topology

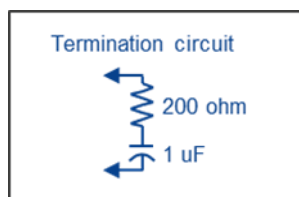


Figure 1-4 Termination circuit example

- The communication range and number of connected boards (Table 1-2) were confirmed under (*2) (*3) (*4) conditions.
- When the connection method is different, it may be different from the above result.
- It is recommended to add the termination circuit to transmission and receiving end to suppress influence of the reflection of the cable. An example of termination circuit insertion is shown in Figure 1-2 and Figure 1-3.
- The termination circuit of Figure 1-4 is an example using (*2). The capacitance (1uF) of the circuit is inserted for DC cut.
- The value of the terminating resistor varies depending on the cable. Therefore, please decide according to the cable to be used.

1.2 PLC evaluation software configuration

Figure 1-5 shows PLC evaluation software configuration(PHY evaluation tool : SimpleMAC)configuration of CPX3 (PLC modem LSI R9A06G037) .

The SROM on the PLC board is programmed with the FW supporting SimpleMAC, which enables the user to control CPX3 with the PC using SimpleMAC GUI.

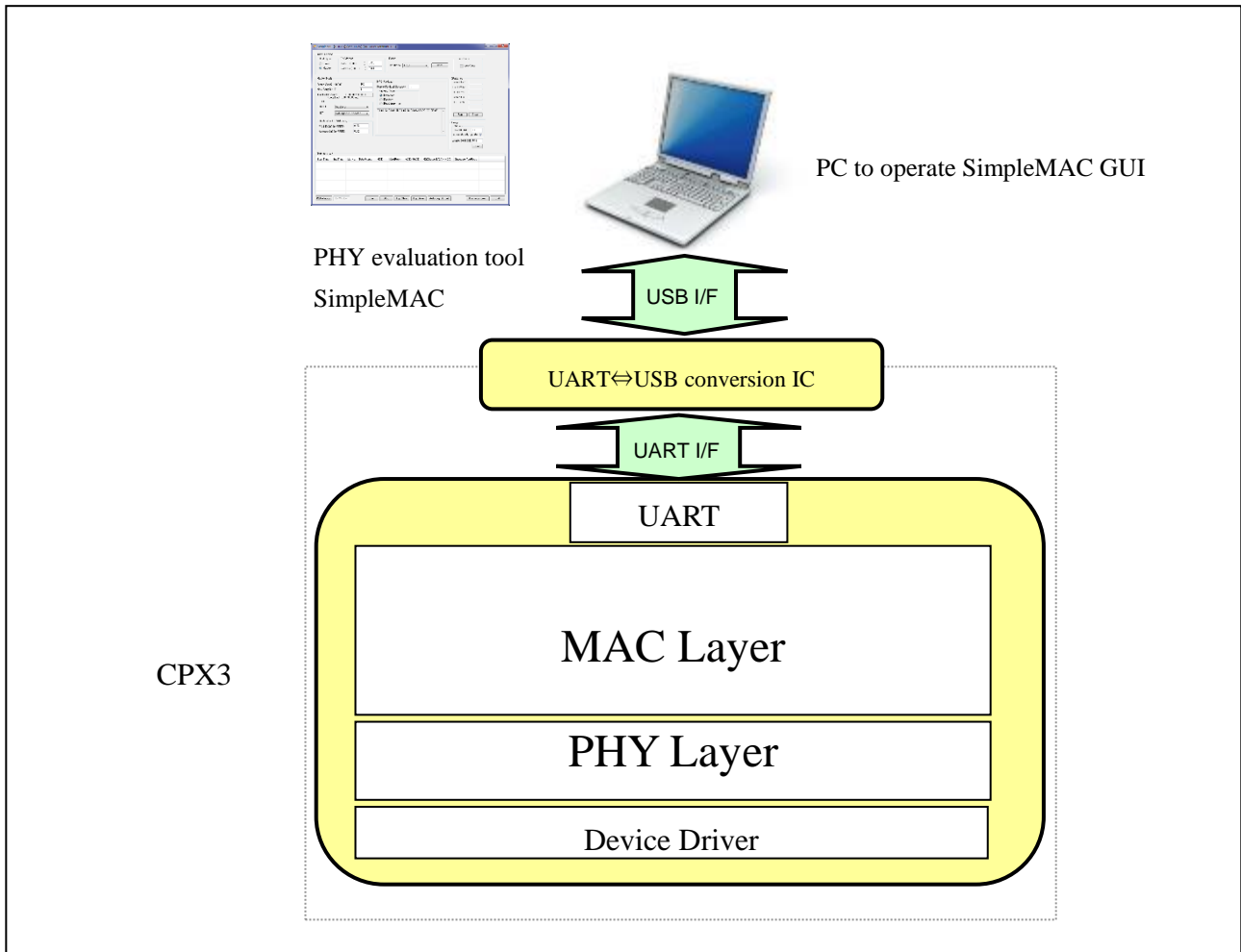


Figure 1-5 PLC evaluation software configuration

1.3 Descriptions on Main Body Parts

Figure 1-6, Table 1-7 shows the block diagram of this product. Details for each connector, JP, SW and VR are shown in Figure 1-8, Figure 1-9, and Figure 1-10.

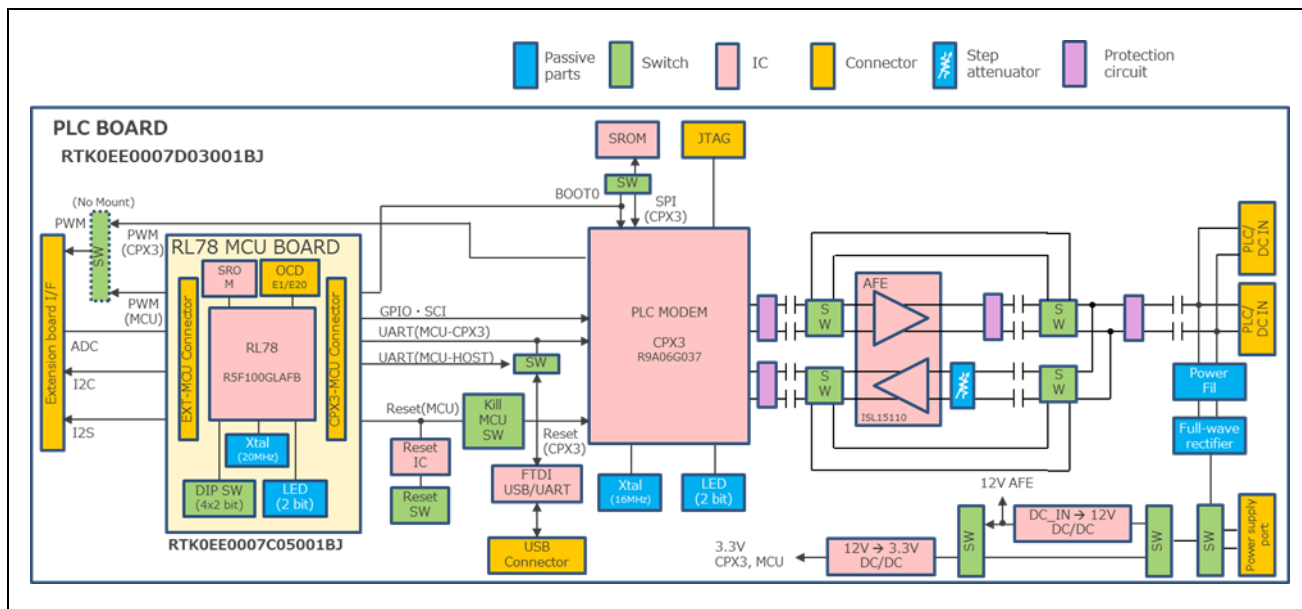


Figure 1-6 PLC board, RL78 MCU board Function block diagram

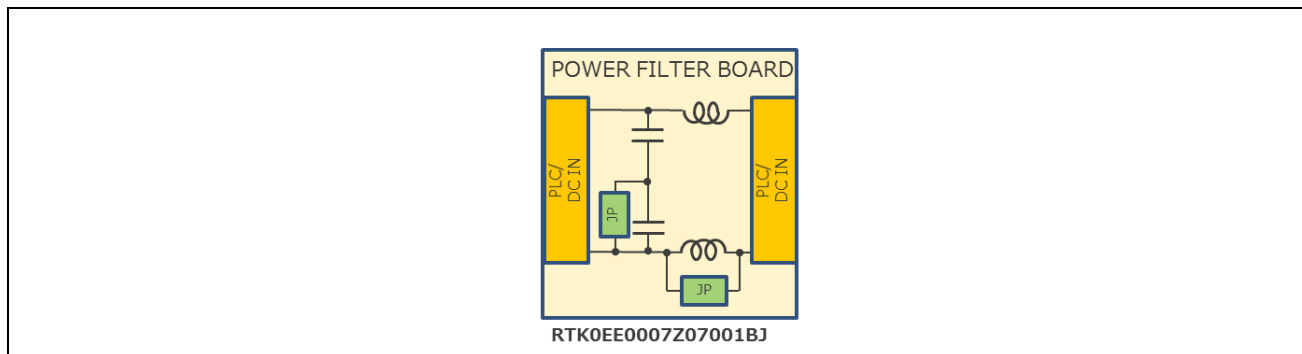


Figure 1-7 Power Filter Board Function block diagram

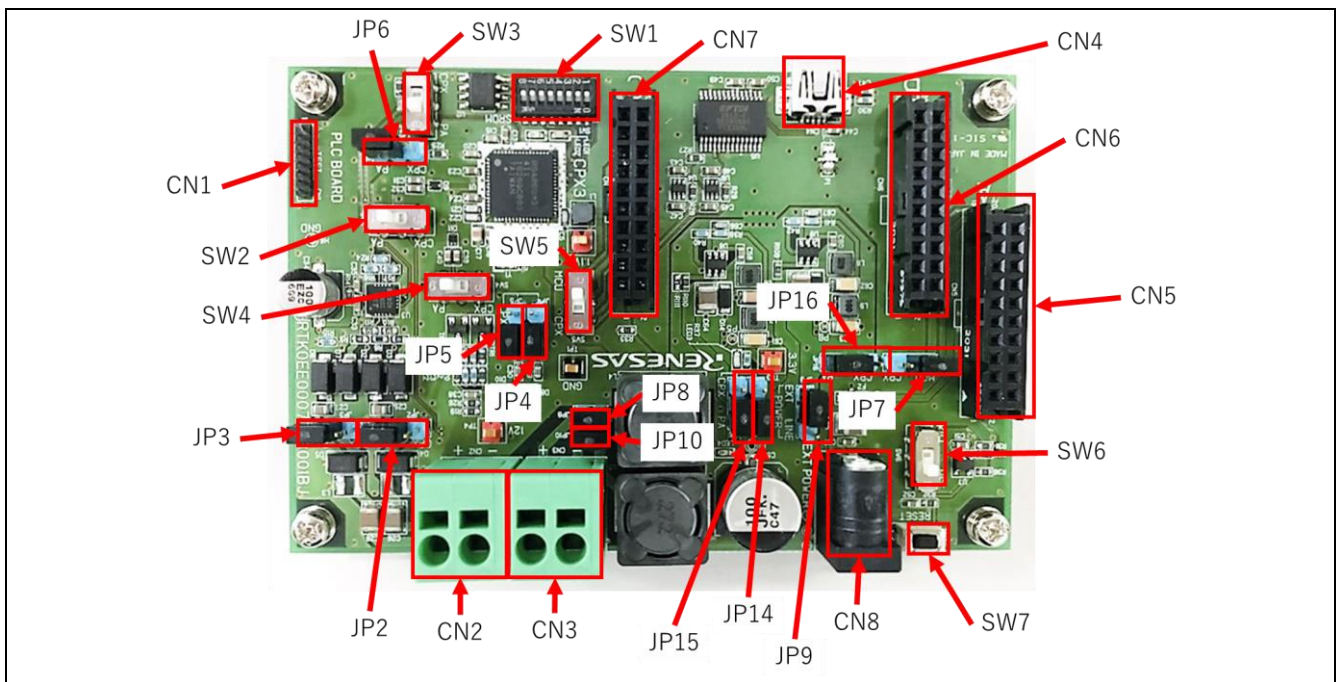


Figure 1-8 PLC board connector, JP, and SW

Table 1-3 PLC board connector, JP, and SW applications

Connector/JP/SW	Applications
SW2, SW3, SW4, JP2, JP3, JP4, JP5, JP6, JP14, JP15, JP16	JP and SW for switching drive system
SW1	SW for selecting boot setting(No.4) / SROM connection (No.1-3,5-8)
SW5	SW for selecting UART-USB connection
SW6	SW for enabling/disabling MCU
SW7	Reset SW
JP7	Not implemented
JP8, JP10	JP for connecting voltage generation parts for line feeding
JP9	JP for switching power supply. Line(CN2,3) or External(CN8)
CN1	JTAG connector for CPX3
CN2, CN3	Connector for DC PLC communication and power line supply
CN4	USB connector
CN5	Extension terminal connector
CN6, CN7	MCU board connector
CN8	External power supply connector

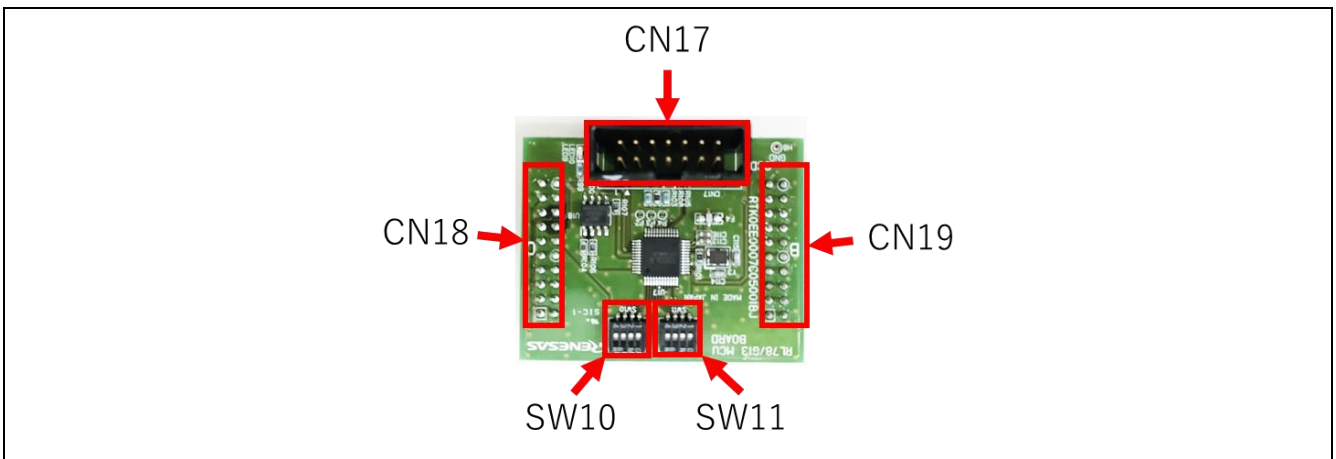


Figure 1-9 RL78 MCU board connector and SW

Table 1-4 RL78 MCU board, connector and SW applications

Connector/SW	Applications
SW8, SW9	General-purpose DIP SW for RL78
CN18, CN19	PLC board connector
CN12	OCD connector

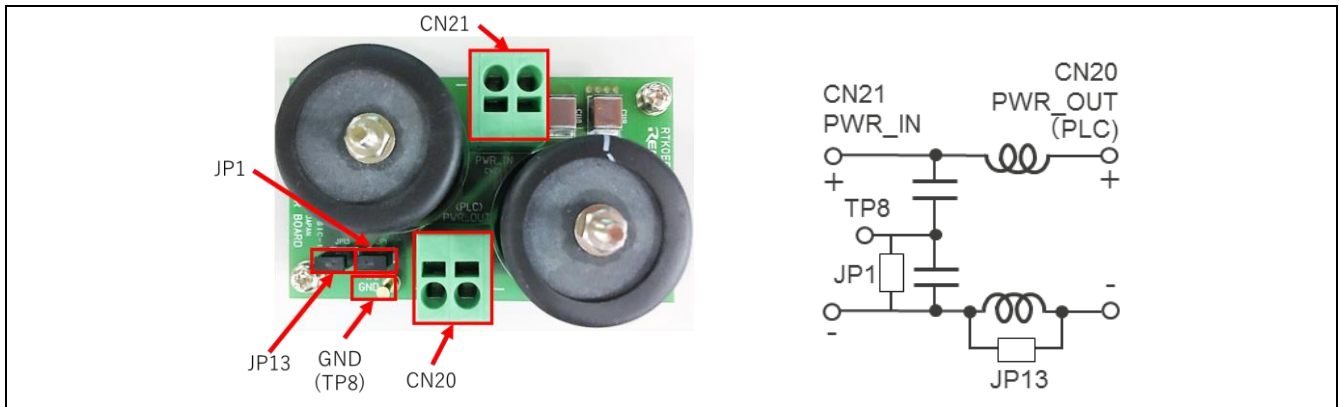


Figure 1-10 Power Filter Board connector, JP and TP

Table 1-5 Power Filter Board connector, JP, and TR applications

Connector/JP	Application
JP1	Select whether to insert or not insert a condenser for the power supply filter on the power supply line (-)
JP13	Select whether to insert or not insert an inductor for the power supply filter on the power supply line (-)
CN20	Power supply connector for PLC communication
CN21	Connector to the power supply source
GND pin : TP8	GND pin When feeding DC voltage both (+) and (-) sides of the power supply line, do not fail to connect the GND pin TP8 to the GND of the power source supply.

1.4 Required Items for Evaluation DC PLC Communication

The following table shows the required items for evaluating DC PLC communication with the basic configuration using 2 of the evaluation kit. Prepare additional parts when adding more kits. See Chapter 2 for how to connect.

Table 1-6 HW to be prepared

Product name	Communication line power supply	External power supply
PLC board (attached)	x2	x2
Power Filter Board (attached)	x1	x1(*1)
PC (PC w/ 2 or more USB ports)	x1	x1
USB cable (attached)	x2	x2
AC adaptor (16 to 48V/1A or more recommended)	(*1)	x2
Power supply for communication line (16 to 48V/0.5A or more recommended)	x1	x1(*1)
RL78 MCU board (attached)	x2(*2)	x2(*2)
E1 debugger (w/ cable)	x1(*2)	x1(*2)

(*1) Required when feeding the board with an external power supply and applying DC voltage on the communication line. (Figure 2-4)

(*2) Required when using RL78 MCU board.

Table 1-7 SW to be prepared

Product name	Notes
Renesas flash programmer	Download from the Renesas website.
Simple MAC GUI	Download from the Renesas website.
Virtual serial port driver	Refer to Chapter 3.1.9

2. Usage

This chapter explains how to set of SW and JP and use each board.

2.1 How to set SW and JP

Table 2-2 shows the setting at the time of the shipment of SW and JP of each board.

Table 2-1 How to set SW and JP of each board

How to set SW and JP				Setting at the time of the shipment (Unused RL78 MCU board)	Using RL78 MCU board
Mode selection	alternatives	Board name	Name of SW or JP		
Driving System	PA driving or CPX driving	PLC board	SW2, SW3, SW4, JP2, JP3, JP4, JP5, JP6, JP14, JP15, JP16	PA driving	PA driving or CPX driving
BOOT setting	SROM(U2) or UART(MCU)	PLC board	SW1	BOOT:SROM(U2) = all ON	BOOT : UART = all OFF
MCU use / unused	MCU USE or MCU KILL (unused)	PLC board	SW6	MCU:KILL (unused)	MCU:USE
Connection of USB—UART	CPX or MCU	PLC board	SW5	CPX	MCU
Feeding system	Line feeding or External feeding (AC adaptor)	PLC board	JP9	Line feeding	Refer to Table 2-2
DC voltage feeding to DC power line	Single (+)side:DC voltage feeding, (-)side:GND or Differential (+)/(-) side:DC voltage feeding	Power Filter board	JP1,JP13	Single: SHORT	Refer to Table 3-12

Note 1 Please use JP8/JP10(PLC board) by setting of SHORT mode fixation because these JPs are for evaluations.

Note 2 SW10/11(RL78 MCU board) are set in all OFF because these are undefined at the time of the board shipment. In the case of use SW10/11, please define them.

2.2 DC PLC Communication Usage

2.2.1 DC Power Supply Setting

Table 2-2 shows how to supply DC power to the PLC board and JP9 settings available for each condition. Figure 2-2 shows the power supply configuration from the communication line, Figure 2-3 shows power supply configuration from the AC adaptor, and Figure 2-4 shows the power supply configuration from the communication line and AC adaptor.

Table 2-2 JP9 setting for power supply

Condition		JP9 setting
1	PLC board(+RL78 MCU board) DC power supply from communication line	LINE (short : 1 - 2) Feeding from CN2 or CN3
2	PLC board(+RL78 MCU board) DC power supply from AC adaptor (1)	EXT (short : 2 - 3) Feeding from CN8 and not superimposing DC to the communication line
3	PLC board(+RL78 MCU board) DC power supply from AC adaptor (2)	EXT (short : 2 - 3) Feeding from CN8 and superimposing DC to the communication line

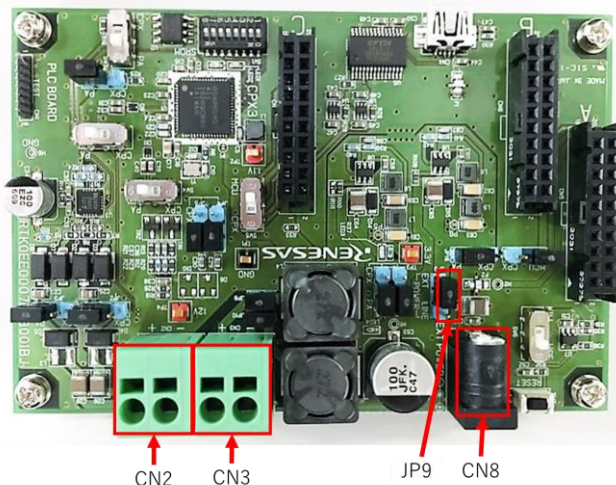


Figure 2-1 Board power supply setting parts

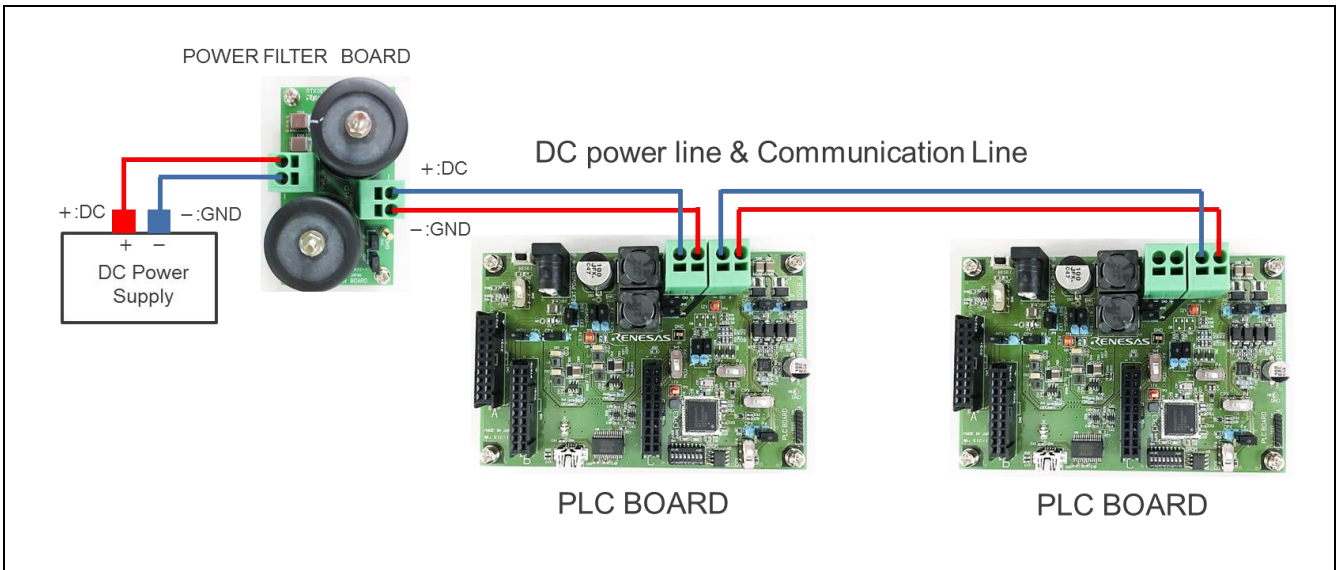


Figure 2-2 Condition 1: PC board connection example of DC power supply from the communication line

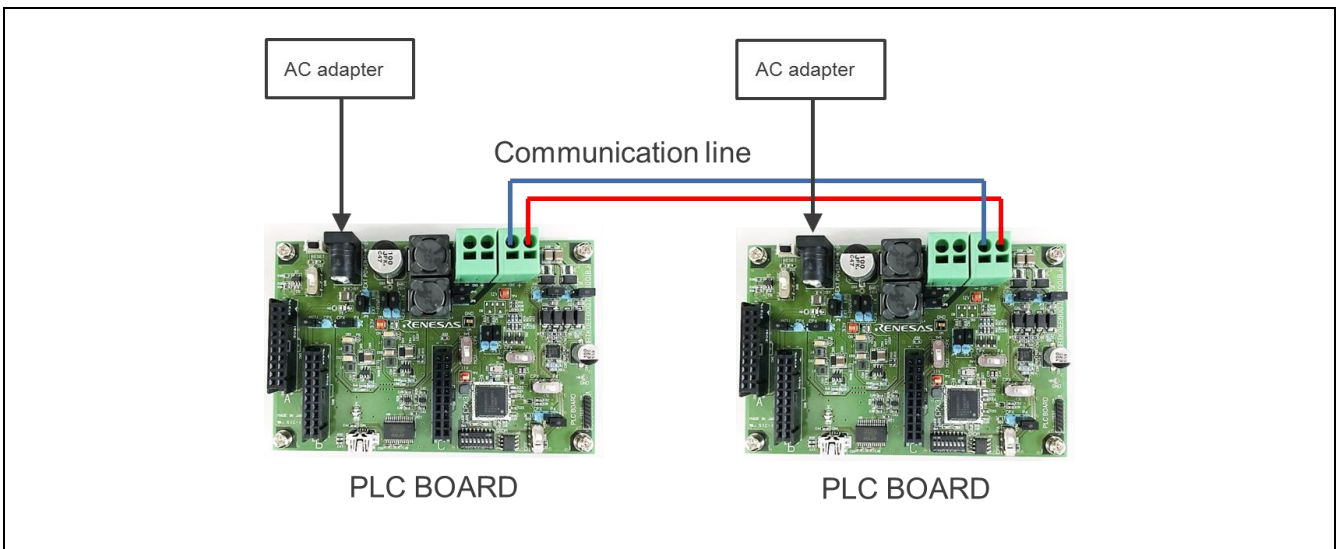


Figure 2-3 Condition 2: PC board connection example of DC power supply from the AC adaptor (1)

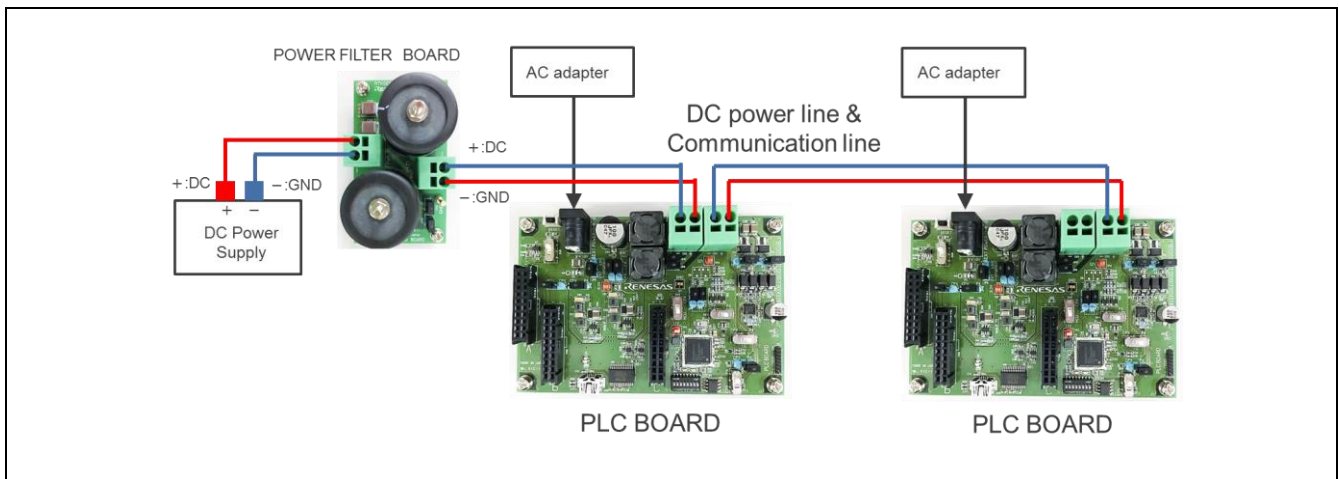


Figure 2-4 Condition 3: PC board connection example of DC power supply from the AC adaptor (2)

2.2.2 How to Select Drive System

The PLC board has two transmission output types; CPX3 direct drive (hereinafter referred to as CPX drive) and CPX3+PA drive (hereinafter referred to as PA drive). The PA is used for evaluation with many kits or longer communication range, with the output level 20dB larger than the CPX drive. Figure 2-5 shows the setting parts for selecting the drive system and Table 2-3 shows the setting condition.

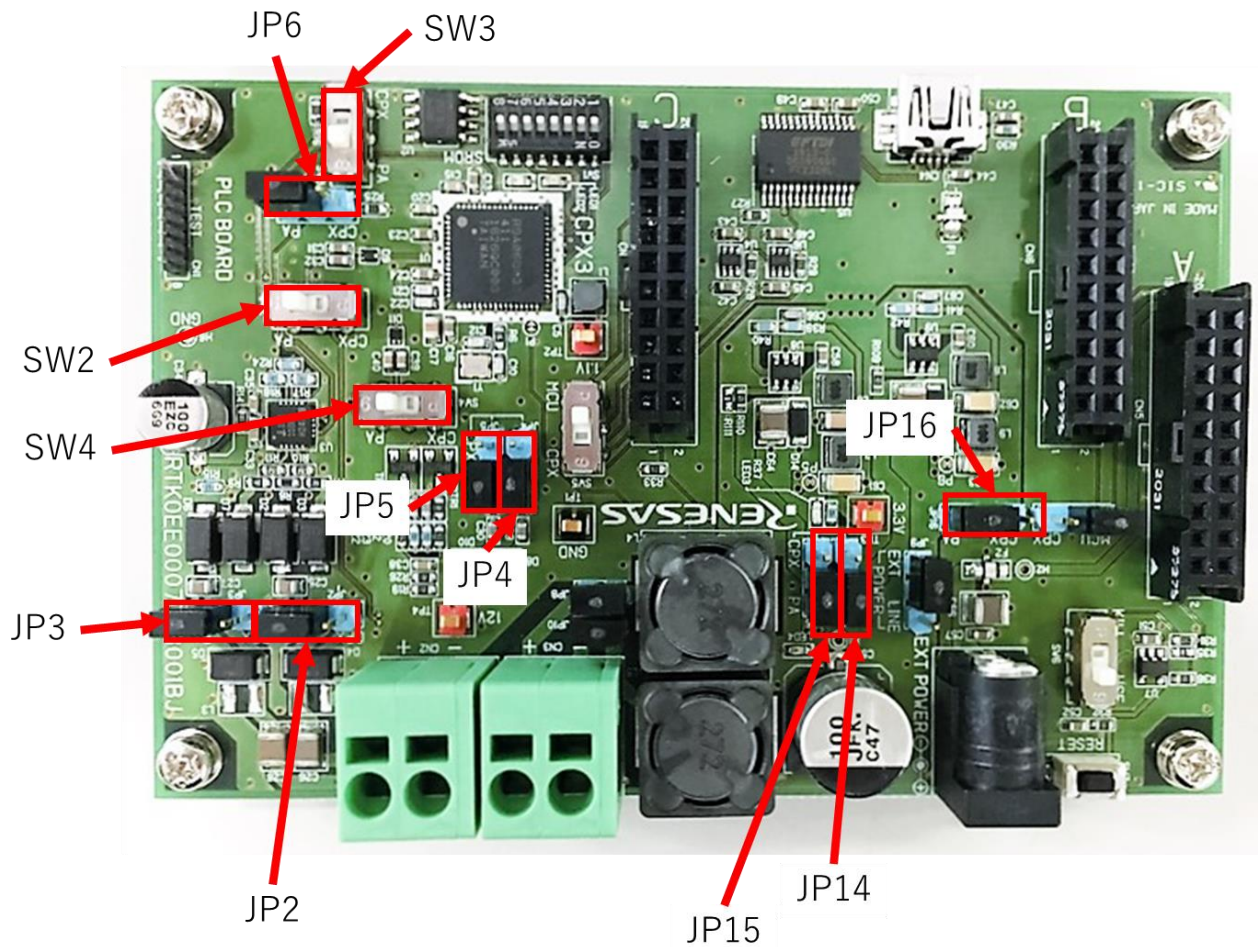


Figure 2-5 Setting parts for selecting drive system

Table 2-3 Drive system setting condition

Target connector/JP/SW	Setting Condition
SW2	PA : CPX3 output→PA→transmission output CPX : CPX3 output→transmission output
SW3	PA : Connect the TXENB/RXSATT signal to ISL15110 CPX : Specify TXENB=High / RXSATT=Low
SW4	PA : Reception input →RCV Amp→CPX3 input CPX : Reception input →CPX3 input
JP2, JP3	PA : Select CPX3 output CPX : Select PA output
JP4, JP5	PA : Reception input →RCV-Amp→Select CPX3 CPX : Reception input → Select CPX3
JP6	PA : Enable RCV amp CPX: Disable RCV amp
JP14, JP15, JP16	PA : Supply voltage →12V generation→3.3V generation CPX : Supply voltage →3.3V generation

2.2.3 DC PLC Communication Using SimpleMAC Function

Follow the instruction below for the evaluation environment setting.

- 1) Connect the USB cable to the USB port of the PC and the USB port(CN9) of the PLC board
- 2) Refer to Chapter 2.1.1 and feed the PLC board with the DC power supply. Make sure to connect the DC power supply and the PLC board correctly.
- 3) Turn on the DC power supply.
- 4) Confirm that LED1 on the PLC board lights up within 2 seconds after power supply
If the LED had not lightened up, check the SROM SW state. Or press the Reset SW and see if it will recover.
- 5) For the communication method after starting-up SimpleMAC GUI on the PC, refer to SimpleMAC User's Manual.

3. Interface Specifications

This chapter explains the interface specifications of this product.

3.1 PLC Board

This chapter explains interface specifications for the PLC board.

3.1.1 LED (LED1, LED2, LED3, LED4)

The PLC board has the following LED modes to indicate the state.

- LED for PLC modem LSI signal : 2 LEDs to indicate the PLC modem LSI state
 - LED1 : Lights on during packet reception
 - LED2 : Lights on during packet transmission
- LED on the power supply side : 2 LEDs to indicate the power supply state
 - LED3 : Lights on when feeding 3.3V power supply
 - LED4 : Lights on when feeding 12V power supply

3.1.2 PLC Connector(CN2/CN3)

The PLC connector(CN2/CN3) is used to connect the communication power line and supply power to the board. This product uses XW4C-02E1-V1 (Omron) for the connector.

3.1.3 Power Supply Connector(CN8)

The power supply connector(CN8) is used for the external power supply, and connects the AC adaptor. The connector used for this product is HEC0470-01-630 (Hosiden). The fit AC adaptor is outside diameter ϕ 5.5mm, inside diameter ϕ 2.1mm, center +, and output voltage 16V to 48V, 0.5A or more of output current recommended. In addition, the AC adaptor needs to be prepared by the user, as it is not included in the kit.

3.1.4 Power Supply Switching Jumper(JP9)

The power supply switching jumper (JP9) is used to select a power supply method. Select either the PLC connector(CN2/CN3) or the power supply connector (CN8) for power supply. Refer to **Table 3-1** for the settings.

Table 3-1 Power supply switching jumper setting

Power supply method	Jumper setting	Description
PLC connector	1-2 short	Feed from the PLC connector (communication line)
Power supply connector	2-3 short	Feed from the power supply connector (external power supply)

3.1.5 Jumper/Switch for Selecting Drive System

Figure 3-1 shows parts used for switching drive system. You can change the drive system by selecting parts in a red square (□). The JP and SW should be set on the PA side for Power am driving method, or set them on the CPX side for CPX3 direct drive.

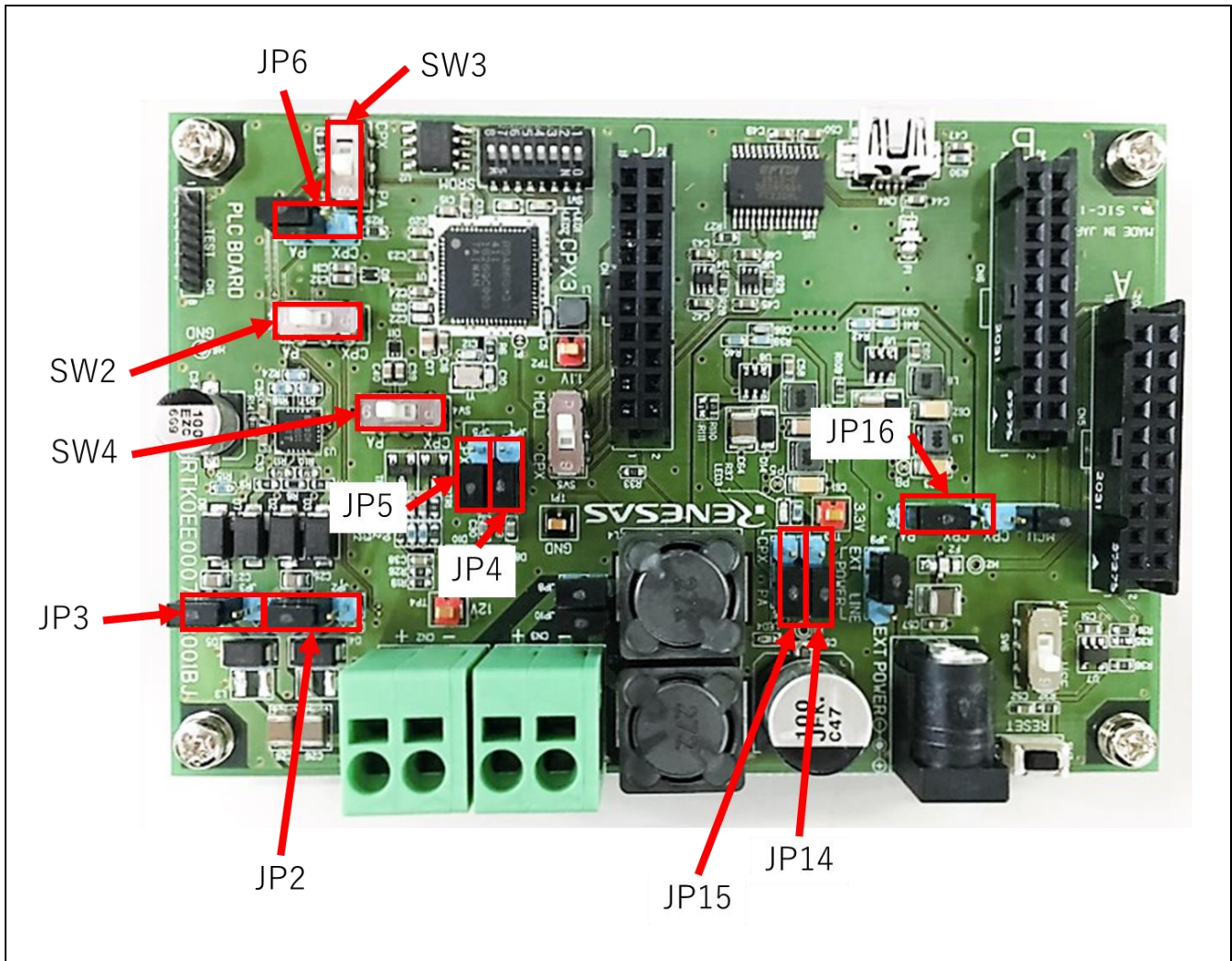


Figure 3-1 Parts used for switching drive system

3.1.6 Reset Switch(SW7)

The Reset Switch (SW7) is a button used for resetting the system. Press this switch (SW7) to initialize CPX3 and MCU(RL78).

3.1.7 Switch for Enabling/Disabling MCU(RL78) (SW6)

SW6 is a switch to enable/disable the CPX3 control of the RL78 MCU. **Table 3-2** shows the SW6 settings. Use the default setting for SimpleMAC.

Table 3-2 SW6 setting for enabling/disabling MCU (RL78)

MCU control	SW6 setting	Function
Reset state (Default setting)	KILL	MCU(RL78) in the reset statue CPX3 reset controlled by SW7
Operation state	USE	MCU(RL78) in the operation state CPX3 reset controlled by MCU (RL78)

3.1.8 DIP Switch for Boot Setting and SROM Connection (SW1)

The 4th SW of SW1 is used to switch UART/SROM boot. The 1st to 3rd and 5th to 8th of SW1 is connected to SROM. The SROM is used for SPOM boot of the CPX3. The SW1 is programmed with the SimpleMAC F/W by default and set to the SROM boot setting. When using UART boot, set all the DIP SW(SW1) to the OFF side. **Table 3-3** shows the SW patterns.

Table 3-3 CPX3 boot setting

Boot mode	Setting
UART (connected to SROM terminal)	Turn OFF all the SWs.
UART (connected to SROM terminal)	Turn OFF the 4 th , and turn ON all the other SWs. Use this setting for SROM programming via UART.
SROM	Turn ON all the SWs.

3.1.9 USB Connector(CN4) and Serial Communication Changeover Switch(SW5)

The evaluation boards are equipped with the USB connector (CN4), which enables serial communication with the MCU(RL78) or CPX3 via the FTDI virtual serial port (this connector is used to connect the board to a host PC). The connection destination can be selected by the serial communication switch(SW6). **Table 3-4** shows the SW5 setting.

Connect to the MCU(RL78) or CPX3 with a USB cable. Select the USB serial port when using SimpleMAC. For device driver available for USB-to-Serial, refer to the FTDI website.

Table 3-4 Serial communication changeover SW (SW5) setting

USB serial setting	Setting	Function
Connected to CPX3 serial port (default setting)	CPX	Connected to CPX
Connected to MCU(RL78) USB serial port	MCU	Connected to MCU(RL78)

3.1.10 MCU Board Connector

Table 3-5 and **Table 3-6** show the pin assignments of the MCU board.

Table 3-5 CN6 connector

PIN No.	Pin name	Function
1	GND	Connected to GND
2	AN000	Connected to CN5-2
3	SDA	Connected to CN5-3
4	SCL	Connected to CN5-4
5	GND	Connected to GND
6	MCLK	Connected to CN5-6
7	GND	Connected to GND
8	BCLK	Connected to CN5-8
9	GND	Connected to GND
10	WCLK	Connected to CN5-10
11	SDIN	Connected to CN5-11
12	SDOUT	Connected to CN5-12
13	GPIO	Connected to CN5-13
14	GND	Connected to GND
15	RST	Connected to CN5-15 and a pull-down register
16	PWM	Connected to JP7-1
17	RESOUT	Connected to CN17-10 and SW6-2
18	GND	Connected to GND
19	3.3V	3.3V power for MCU board power supply
20	3.3V	3.3V power for MCU board power supply

Table 3-6 CN7 connector

PIN No.	Pin name	Function
1	CPX3RESB	Connected to SW6 to 4 and a pull-down register
2	BOOT0	Connected to CPX3 - BOOT0 and SW1-13
3	UART0_RX	Connected to CPX3 - GPIO0 and SW5-1
4	UART0_TX	Connected to CPX3 - GPIO1 and SW5-4
5	GPIO2	Connected to CPX3 – GPIO2
6	GPIO3	Connected to CPX3 – GPIO3
7	GND	Connected to GND
8	GPIO4	Connected to CPX3 – GPIO4
9	GPIO5	Connected to CPX3 – GPIO5
10	GPIO6	Connected to CPX3 – GPIO6
11	GND	Connected to GND
12	GPIO7	Connected to CPX3 – GPIO7
13	GPIO8	Connected to CPX3 – GPIO8
14	GPIO9	Connected to CPX3 – GPIO9
15	GPIO12	Connected to CPX3 – GPIO12
16	RXD_MCU	Connected to SW5-3
17	TXD_MCU	Connected to SW5-6
18	GND	Connected to GND
19	3.3V	3.3V power for MCU board power supply
20	3.3V	3.3V power for MCU board power supply

3.1.11 Extension board Connector

Table 3-7 shows pin assignments of the extension board.

Table 3-7 CN5 connector

PIN No.	Pin name	Function
1	GND	Connected to GND
2	AN000	Connected to CN6 - AN000
3	SDA	Connected to CN6 – SDA (*1)
4	SCL	Connected to CN6 – SCL (*1)
5	GND	Connected to GND
6	MCLK	Connected to CN6 – MCLK
7	GND	Connected to GND
8	BCLK	Connected to CN6 - BCLK
9	GND	Connected to GND
10	WCLK	Connected to CN6 - WCLK
11	SDIN	Connected to CN6 - SDIN
12	SDOUT	Connected to CN6 - SDOUT
13	GPIO	Connected to CN6 - GPIO
14	GND	Connected to GND
15	RST	Connected to CN6 – RST and a pull-down register
16	PWM	Connected to JP7- 2
17	RESETOUT	Connected to reset circuit
18	GND	Connected to GND
19	3.3VMAIN	Connected to PLC board 3.3V power supply
20	ADPIN	Connected to EXT power (external power)

(*1) Please place 2.7kohm pull-up resistors at the extension board side when using SDA/SCL for I2C at the extension board.

3.2 RL78 MCU board

This chapter explains interface specifications for the RL78 MCU board.

3.2.1 General-purpose DIP SW for MCU (RL78) (SW8, SW9)

SW1 is a DIP switch to select the RL78 application. When it is ON, the RL78 signal level is LOW, or HIGH when it is OFF.

(Enable the RL78 on-chip pull-up function, as no pull-up resistance is mounted on the evaluation board)

3.2.2 SROM(AT25SF321-SSHD)

SROM(AT25SF321-SSHD) is required when developing RL78MCU application. SROM is connected to RL78MCU SCI and GPIO. Refer to the AT25SF321-SSHD datasheet for SROM usage in detail.

3.2.3 OCD connector(CN12)

The OCD connector(CN12) is used to connect the E1 emulator and the MCU(RL78) mounted on the RL78 MCU board. When connecting the development tool via the E1 emulator, set the target power supply to the user-specified setting, and feed the PLC board from the line or the external power supply. Figure 3-2 shows the connection configuration with the E1 emulator, and Table 3-8 shows the OCD connector (CN12) terminal information.

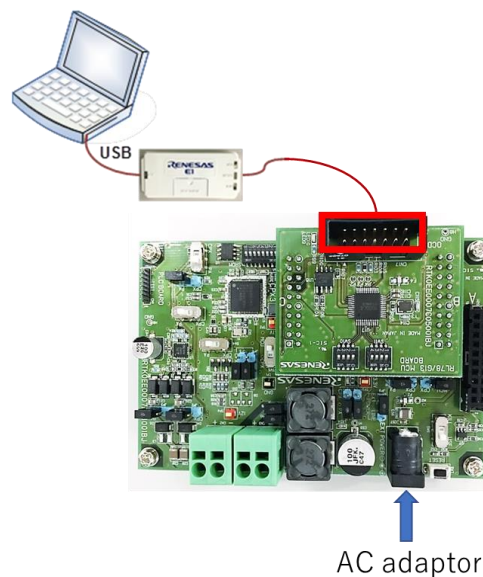


Figure 3-2 E1 emulator - RL78 MCU board connection configuration

Table 3-8 OCD connector(CN12)

PIN No.	Pin name	Function
1	RFU	Open (not connected)
2	GND	GND
3	RFU	Open (not connected)
4	RSTPU	Open (not connected)
5	TOOL0	RL78-TOOL0
6	RFU	Open (not connected)
7	RFU	Open (not connected)
8	VDD	3.3V
9	EMVDD	3.3V
10	RESET	RL78- RESET
11	RFU	Open (not connected)
12	GND	GND
13	RESET	RL78- RESET
14	GND	GND

3.2.4 LED (LED5 / LED6)

LED5 and LED6 are LED use for RL78MCU application development.

3.2.5 Control MCU(RL78)

The RL78 MCU board is equipped with RL78 for PLC control. The following table shows the control MCU terminal connection information. For unused pin settings, set the ports to “Input” since the signals connected to CPX3 have the pin assignments on the CPX3. Also, use the MCU on-chip pull-up function to set other signal terminals.

Table 3-9 RL78 MCU connection table

PIN No.	Pin name of RL78		Connection	Notes (recommended setting when not in use)
1	P60/SCLA0	O	CN18-4	Select the input port when not in use
2	P61/SDAA0	O	CN18-3	Select the input port when not in use
3	P62	O	LED9	Select the input port when not in use
4	P63	O	LED10	Select the input port when not in use
5	P31	I/O	CN18-16	Select the input port when not in use
6	P75	I/O	CN18-15	Select the input port when not in use
7	P74	I/O	CN18-8	Select the input port when not in use
8	P73	I/O	CN18-13	Select the input port when not in use
9	P72	I/O	CN18-11 and CN19-6	Select the input port when not in use
10	P71	I/O	CN18-12 and CN19-8	Select the input port when not in use
11	P70	I/O	CN18-10 and CN19-9	Select the input port when not in use
12	P30	I/O	CN19-10	Select the input port when not in use
13	P50	I/O	CN19-15	Select the input port when not in use
14	P51	I/O	CN19-2	Select the input port when not in use
15	P17	I/O	CN19-14	Select the input port when not in use
16	P16	I/O	CN19-13	Select the input port when not in use
17	P15	O	SROM_C	Select the input port when not in use
18	P14	I	SROM_DQ1	Select the input port when not in use
19	P13	O	SROM_DQ0	Select the input port when not in use
20	P12	I/O	CN19-3	Select the input port when not in use
21	P11	I/O	CN19-4	Select the input port when not in use
22	P10	I/O	CN19-2	Select the input port when not in use
23	P146	O	SROM_CS	Select the input port when not in use
24	P147/ANI18	I/O	CN18-2	Select the input port when not in use
25	P27	I	DIP SW8	Select the input port when not in use
26	P26	I	DIP SW7	Select the input port when not in use
27	P25	I	DIP SW6	Select the input port when not in use
28	P24	I	DIP SW5	Select the input port when not in use
29	P23	I	DIP SW4	Select the input port when not in use
30	P22	I	DIP SW3	Select the input port when not in use
31	P21	I	DIP SW2	Select the input port when not in use
32	P20	I	DIP SW1	Select the input port when not in use
33	P130	O	CN19-1	Select the input port when not in use
34	P01/RXD1	I	CN19-16	Select the input port when not in use
35	P00/TXD1	O	CN19-17	Select the input port when not in use
36	P140	I/O	CN18-16	Select the input port when not in use
37	P120	I	-	Select the input port when not in use
38	P41	I/O	CN19-12	Select the input port when not in use
39	P40/TOOL0	I	CN17-5	Select the input port when not in use
40	RESET	I		Select the input port when not in use
41	P124/XT2	I		Select the input port when not in use
42	P123/XT1	I		Select the input port when not in use
43	P137	I	-	Select the input port when not in use
44	P122/X2	I	XTL 20MHz	Select the input port when not in use
45	P121/X1	I	XTL 20MHz	Select the input port when not in use
46	REGC	-	0.47uF capacitor	-
47	VSS	-	GND	-
48	VDD	-	3.3V	-

3.2.6 PLC board connector (CN10 / CN11)

Table 3-10 and **Table 3-11** show pin assignments of the RL78 MCU board and the PLC board.

Table 3-10 CN10 connector

PIN No.	Pin name	Function
1	GND	Connected to GND
2	AN000	Connected to RL78 - P147/ANI18
3	SDA	Connected to RL78 - P61/SDAA0
4	SCL	Connected to RL78 - P60/SCLA0
5	GND	Connected to GND
6	MCLK	Connected to RL78 - P140
7	GND	Connected to GND
8	BCLK	Connected to RL78 - P74
9	GND	Connected to GND
10	WCLK	Connected to RL78 - P70
11	SDIN	Connected to RL78 - P72
12	SDOUT	Connected to RL78 - P71
13	GPIO	Connected to RL78 – P73
14	GND	Connected to GND
15	RST	Connected to RL78 – P75
16	PWM	Connected to RL78 – P31
17	RESOUT	Connected to RL78 - RES#
18	GND	Connected to GND
19	3.3V	3.3V power supply into MCU board
20	3.3V	3.3V power supply into MCU board

Table 3-11 CN11 connector

PIN No.	Pin name	Function
1	CPX3RESB	Connected to RL78 – P130
2	BOOT0	Connected to RL78 – P51
3	UART0_RX	Connected to RL78 – P12/TXD0
4	UART0_TX	Connected to RL78 – P11/RXD0
5	GPIO2	Connected to RL78 – P10
6	GPIO3	Connected to RL78 - RL78 – P72 (*1)
7	GND	Connected to GND
8	GPIO4	Connected to RL78 – P71 (*1)
9	GPIO5	Connected to RL78 – P70 (*1)
10	GPIO6	Connected to RL78 – P30
11	GND	Connected to GND
12	GPIO7	Connected to RL78 – P41
13	GPIO8	Connected to RL78 - P16
14	GPIO9	Connected to RL78 – P17
15	GPIO12	Connected to RL78 – P50
16	RXD_MCU	Connected to RL78 – P01/RXD1
17	TXD_MCU	Connected to RL78 – P00/TXD1
18	GND	Connected to GND
19	3.3V	3.3V power supply into MCU board
20	3.3V	3.3V power supply into MCU board

(*1) This pin is not connected at the time of initial setting.

3.3 Power Filter Board

This chapter explains interface specifications for the Power Filter Board.

3.3.1 Power Supply Connector (CN21: Silk Display PWR_IN)

Connect the power supply connector (CN21) on the power supply side.

3.3.2 Communication Line Connector (CN20: Silk Display PWR_OUT(PLC))

Connect the communication connector (CN20) on the communication line (DC PLC evaluation kit connection)

3.3.3 Power Supply Mode Setting Jumper (JP1/JP13)

The power supply mode setting jumper (JP1/JP13) is used to select the power supply filter mode. The JP1 is used to select whether to insert or not insert a power supply filter on the power supply line (-). The JP131 is used to select whether to insert or not insert an inductor on the power supply line (-). **Table 3-12** shows how to select the settings.

3.3.4 GND Pin TP(TP8)

When feeding DC voltage to both (+) and (-) sides of the power supply line, make sure to connect the GND Pin TP8 to the GND of the power source.

Table 3-12 JP Setting for power supply

Output source	Setting	Function
DC voltage connected to the power supply line (+), GND connected to the power supply line (-)	JP1 : Short JP13 : Short TP8 : Open	Insert a power supply filter on the power supply line side (+) only
DC voltage 1 connected to on the power supply line (+), and DC voltage 2 connected to power supply line (-)	JP1 : Open JP13 : Open TP8 : Connected to GND	Insert a power supply filter on power supply line (+) and (-) sides.

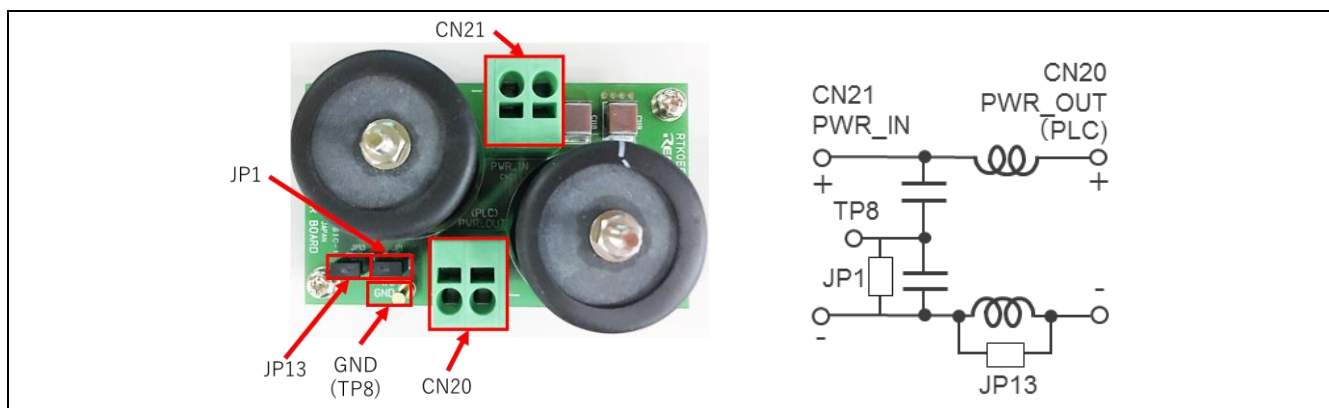


Figure 3-3 Connector, JP and TP for Power Filter Board

Revision history	BCPX3 Evaluation Kit J80D2 RTK0EE0007D02001BJ User's Manual
------------------	--

Rev.	Date	Description	
		Page	Summary
1.00	Oct 01, 2017	–	First edition Issued

BCPX3 Evaluation Kit J80D2 RTK0EE0007D02001BJ
User's Manual

Publication Date Oct 01, 2017 Rev.1.00

Published by: Renesas Electronics Corporation

**SALES OFFICES**

Renesas Electronics Corporation

<http://www.renesas.com>Refer to "<http://www.renesas.com/>" for the latest and detailed information.**Renesas Electronics America Inc.**2801 Scott Boulevard Santa Clara, CA 95050-2549, U.S.A.
Tel: +1-408-588-6000, Fax: +1-408-588-6130**Renesas Electronics Canada Limited**9251 Yonge Street, Suite 8309 Richmond Hill, Ontario Canada L4C 9T3
Tel: +1-905-237-2004**Renesas Electronics Europe Limited**Dukes Meadow, Millboard Road, Bourne End, Buckinghamshire, SL8 5FH, U.K.
Tel: +44-1628-585-100, Fax: +44-1628-585-900**Renesas Electronics Europe GmbH**Arcadiastrasse 10, 40472 Düsseldorf, Germany
Tel: +49-211-6503-0, Fax: +49-211-6503-1327**Renesas Electronics (China) Co., Ltd.**Room 1709, Quantum Plaza, No.27 ZhiChunLu Haidian District, Beijing 100191, P.R.China
Tel: +86-10-8235-1155, Fax: +86-10-8235-7679**Renesas Electronics (Shanghai) Co., Ltd.**Unit 301, Tower A, Central Towers, 555 Langao Road, Putuo District, Shanghai, P. R. China 200333
Tel: +86-21-2226-0888, Fax: +86-21-2226-0999**Renesas Electronics Hong Kong Limited**Unit 1601-1611, 16/F., Tower 2, Grand Century Place, 193 Prince Edward Road West, Mongkok, Kowloon, Hong Kong
Tel: +852-2265-6688, Fax: +852 2886-9022**Renesas Electronics Taiwan Co., Ltd.**13F, No. 363, Fu Shing North Road, Taipei 10543, Taiwan
Tel: +886-2-8175-9600, Fax: +886 2-8175-9670**Renesas Electronics Singapore Pte. Ltd.**80 Bendemeer Road, Unit #06-02 Hyflux Innovation Centre, Singapore 339949
Tel: +65-6213-0200, Fax: +65-6213-0300**Renesas Electronics Malaysia Sdn.Bhd.**Unit 1207, Block B, Menara Amcorp, Amcorp Trade Centre, No. 18, Jln Persiaran Barat, 46050 Petaling Jaya, Selangor Darul Ehsan, Malaysia
Tel: +60-3-7955-9390, Fax: +60-3-7955-9510**Renesas Electronics India Pvt. Ltd.**No.777C, 100 Feet Road, HAL II Stage, Indiranagar, Bangalore, India
Tel: +91-80-67208700, Fax: +91-80-67208777**Renesas Electronics Korea Co., Ltd.**12F., 234 Teheran-ro, Gangnam-Gu, Seoul, 135-080, Korea
Tel: +82-2-558-3737, Fax: +82-2-558-5141

BCPX3 Evaluation Kit J80D2 RTK0EE0007D02001BJ